

XArm Weight Bearing Platform

Digital Radiography



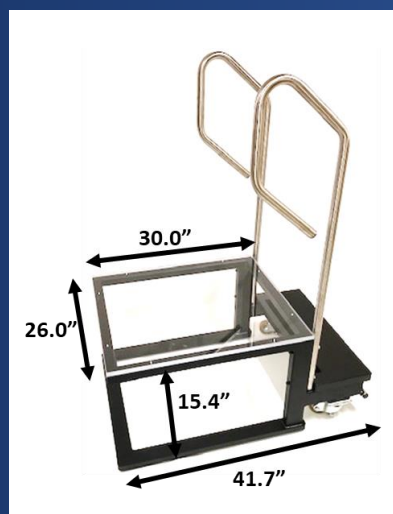
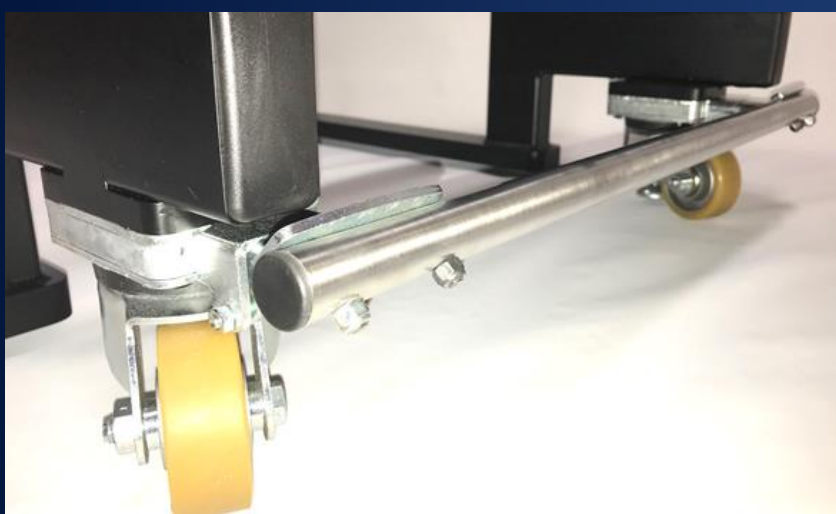
Our Classic Straight Arm /U-Arm Weight Bearing Platform

Certified Laboratory Tested 500 lbs.

Quick Wheels Lock with Trip Release Bar

Clear Polycarbonate Top

Designed and tested for ease of mobility while allowing secure lock-down for patient safety



800.528.6311

585.392.4336

585.392.5575

50 Old Hojack Lane, Hilton, New York 14468

www.rcimaging.com

