

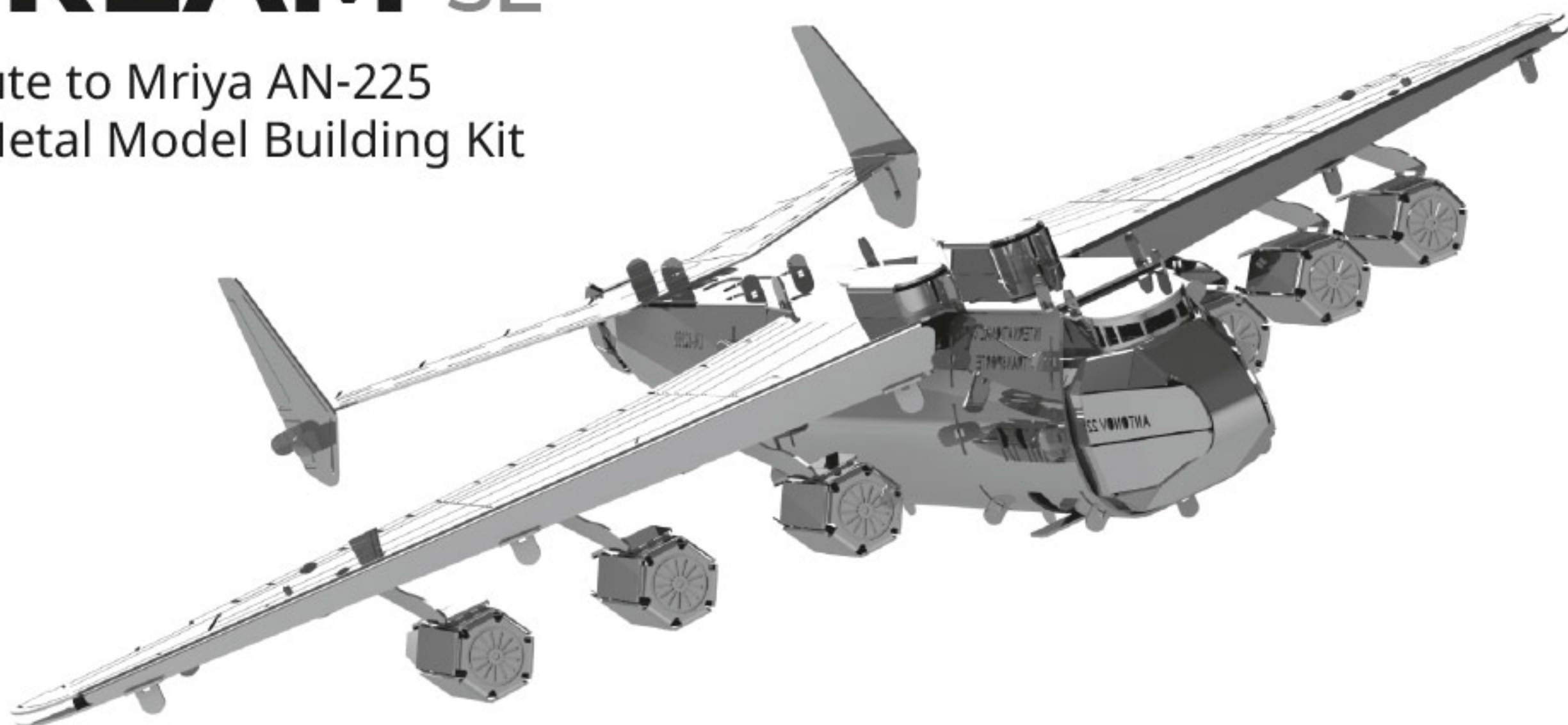


METAL<sup>®</sup>  
TIME

We believe  
the Ukrainian Dream  
is eternal!

# UKRAINIAN DREAM SE

Tribute to Mriya AN-225  
3D Metal Model Building Kit



Assembly instructions

Collect the Best

**32** PIECES

**2** hours

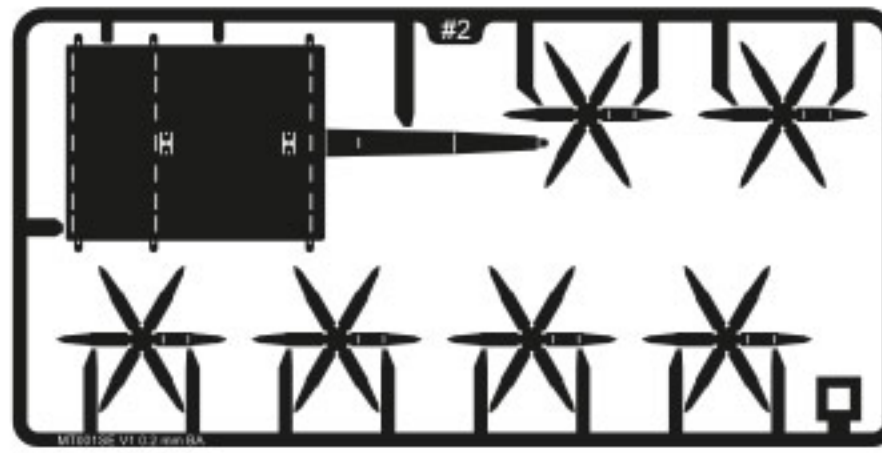
AGES  
**14+**



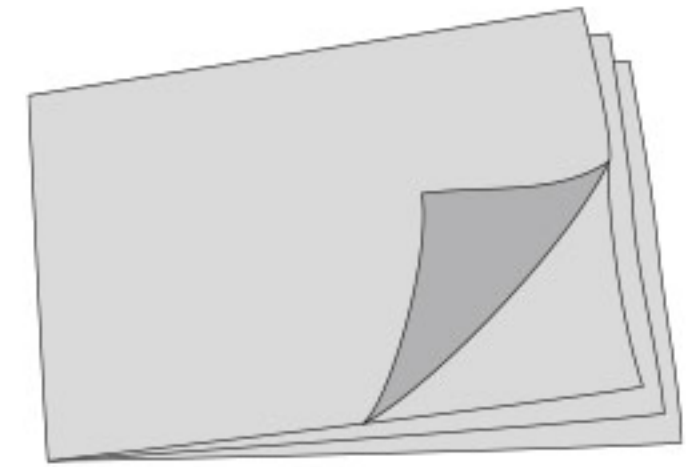
## MODEL PARTS AND ASSEMBLY TOOLS



#1



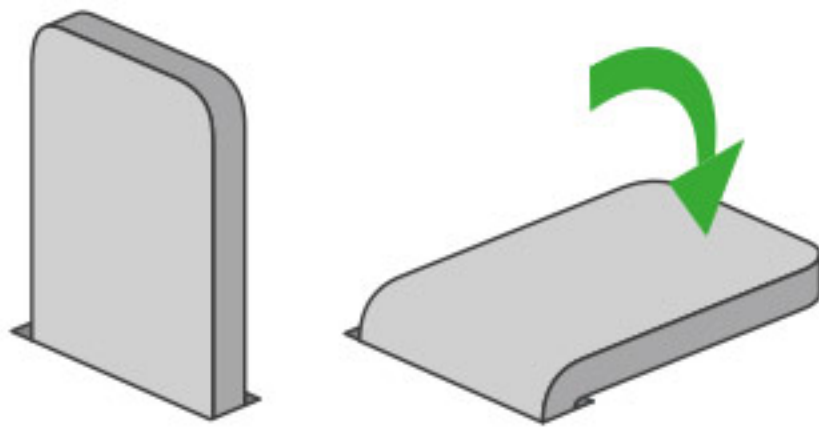
#2



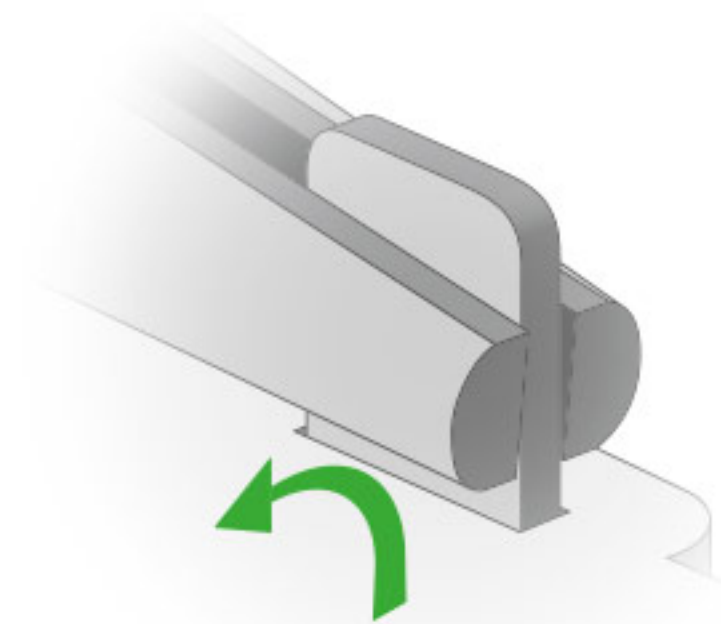
Polishing cloth

## STANDARD FIXING OF FASTENERS

When assembling the model, don't rush, avoid pointing details at yours or anyone else's face. If one of the parts has a sharp edge, please file it down. Use pliers and additional tools to assemble the model. Each kit contains a cloth for wiping and polishing the model once it's assembled.



If there are no additional designations, use the standard fixing method



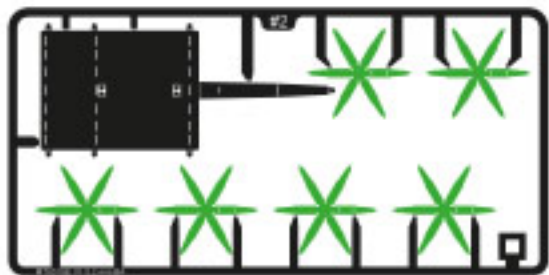
Use pliers to bend the fasteners

**WARNING!** Product contains small parts and sharp parts. Not suitable for children under 3 years of age. Model for collectors, suitable for children 14+

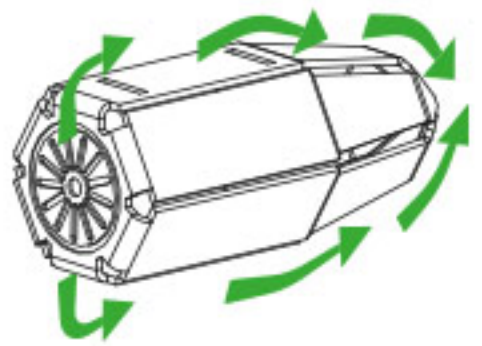
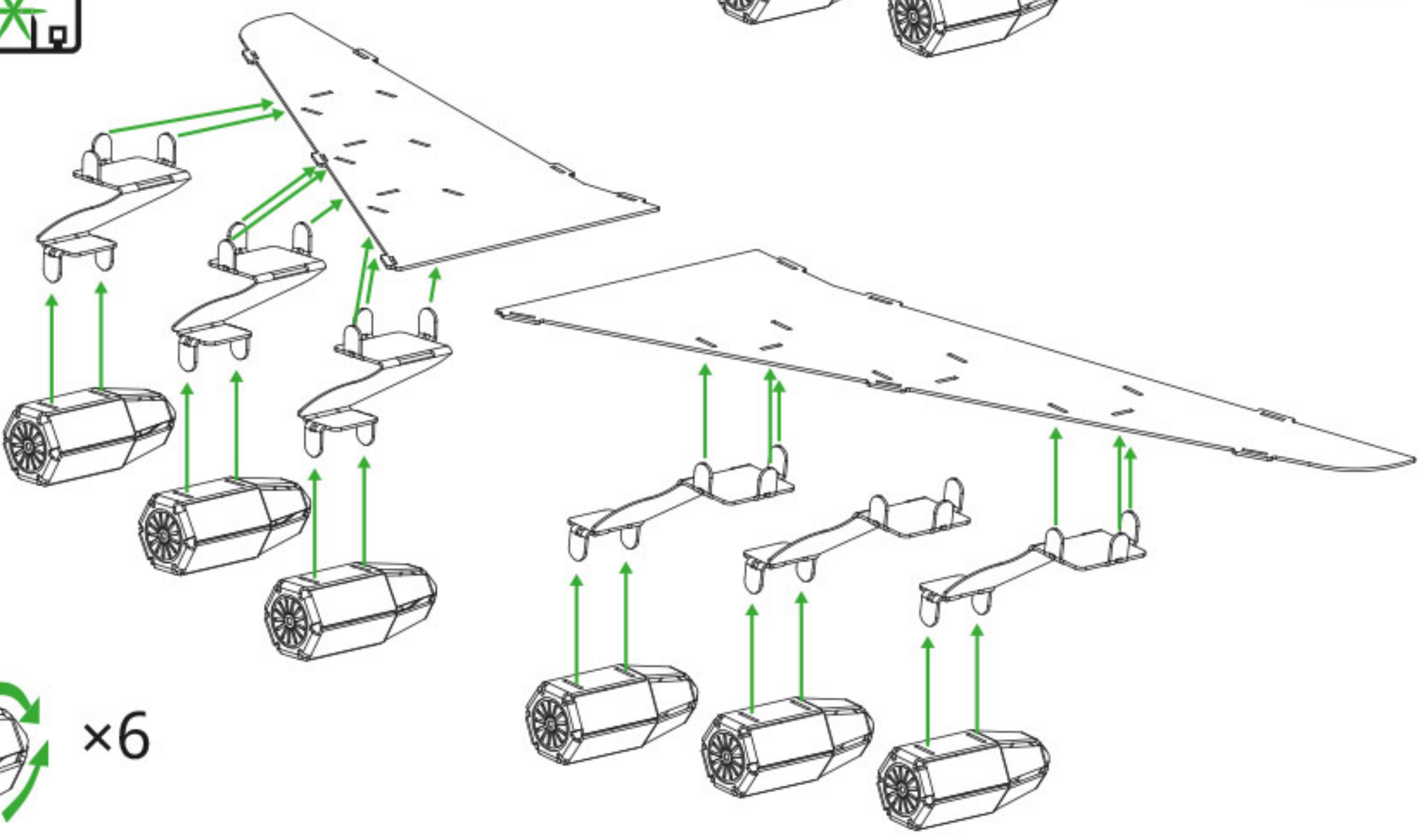
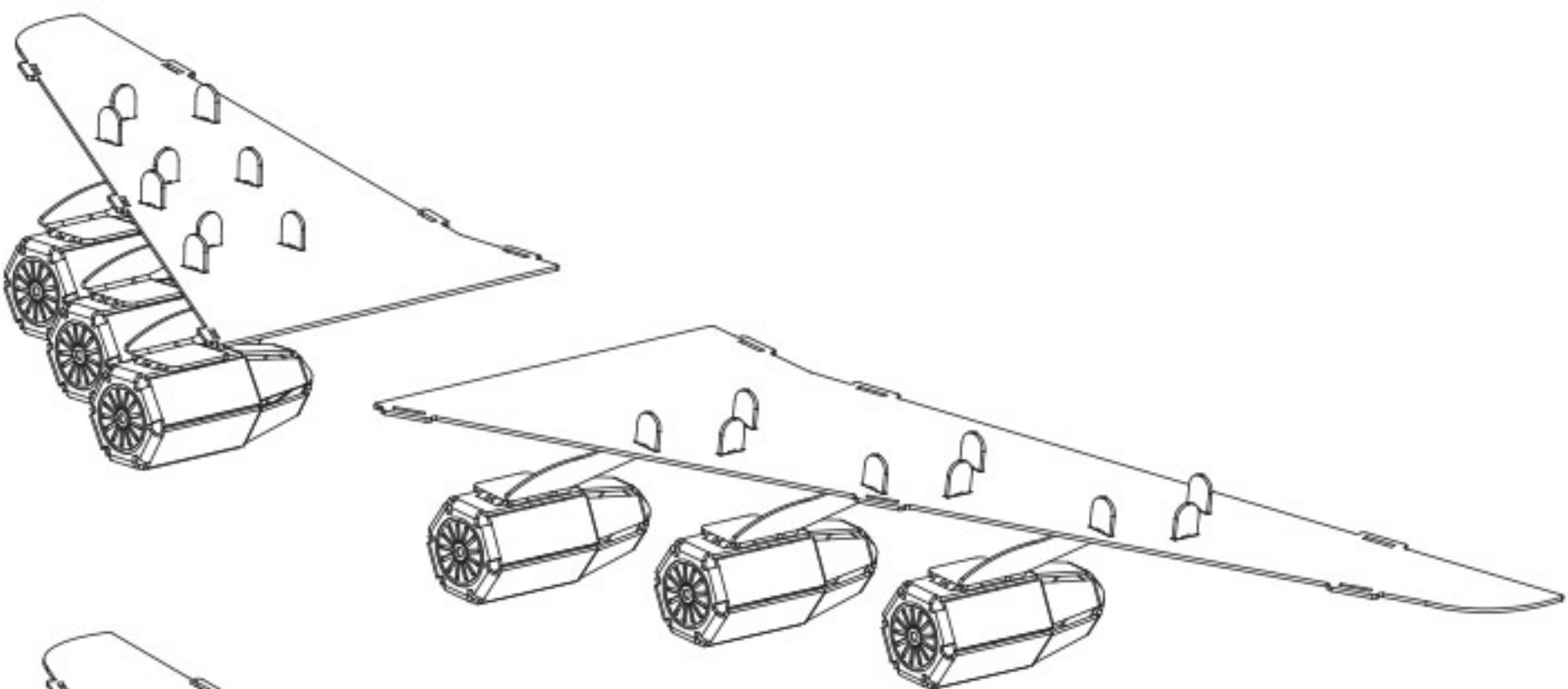




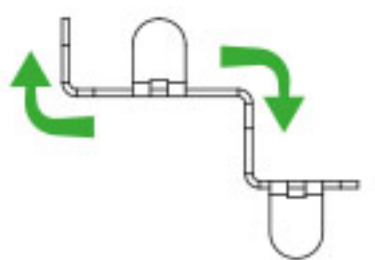
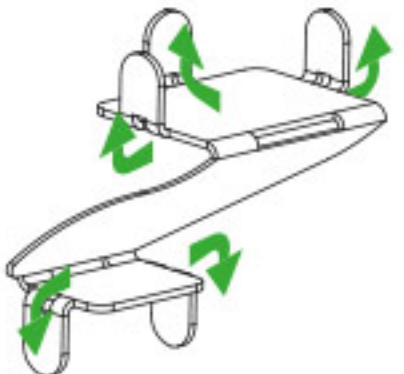
#1



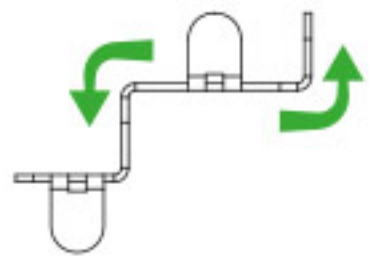
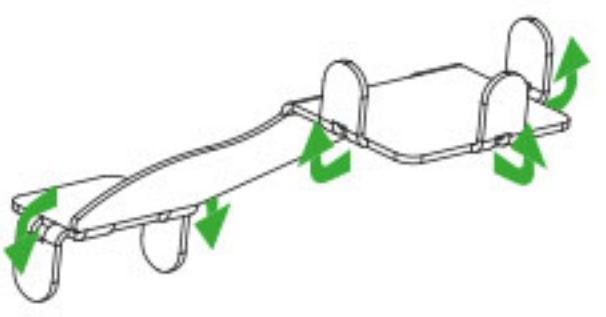
#2



x6

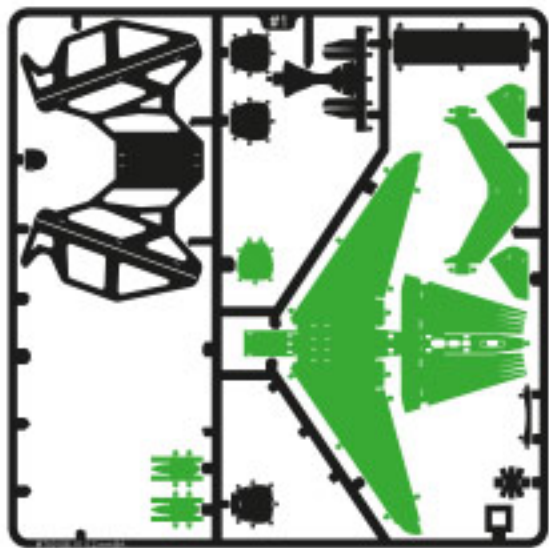


x3

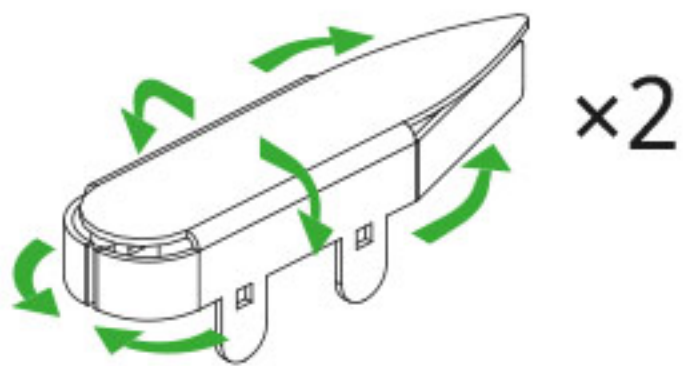
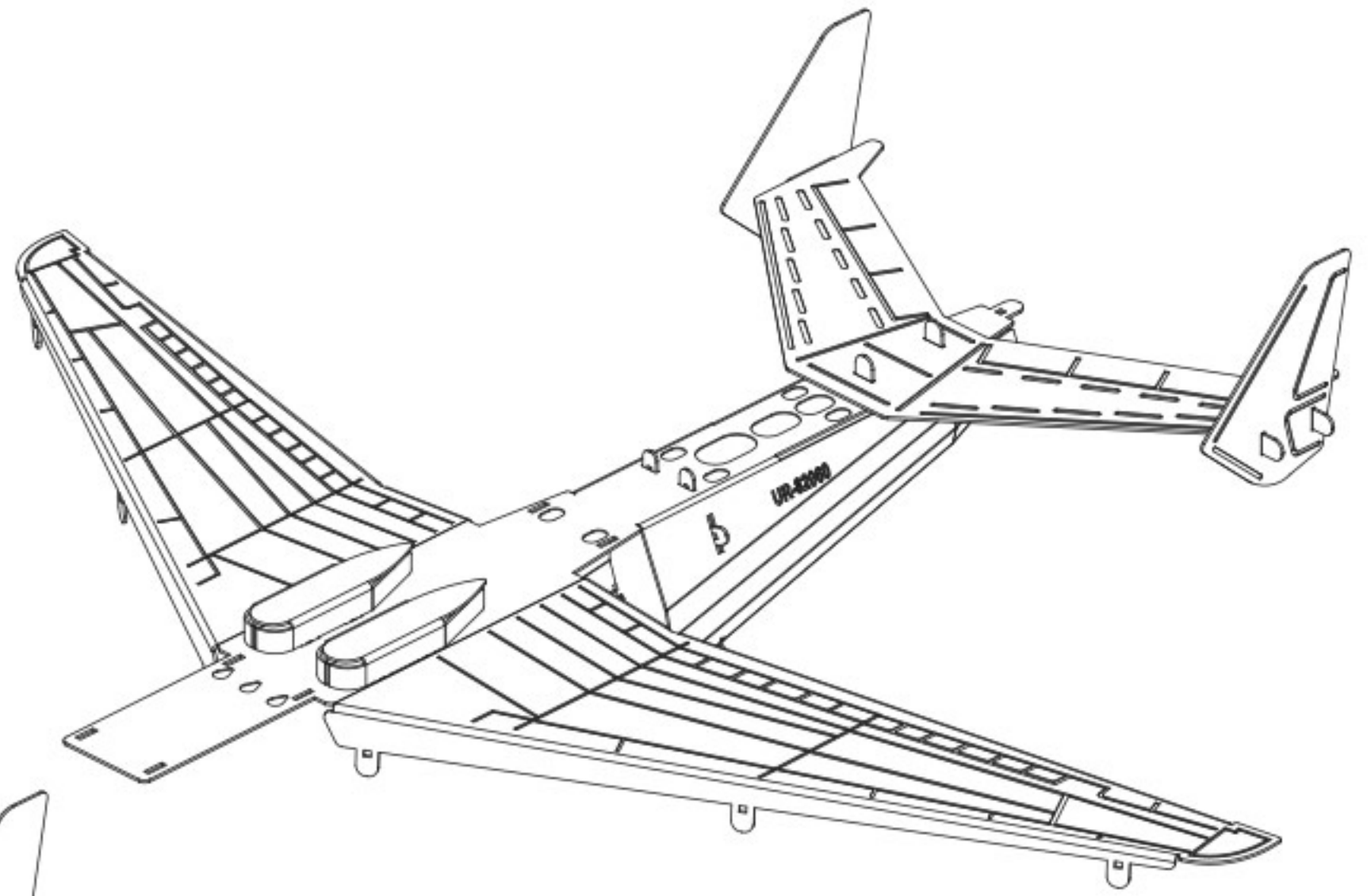


x3

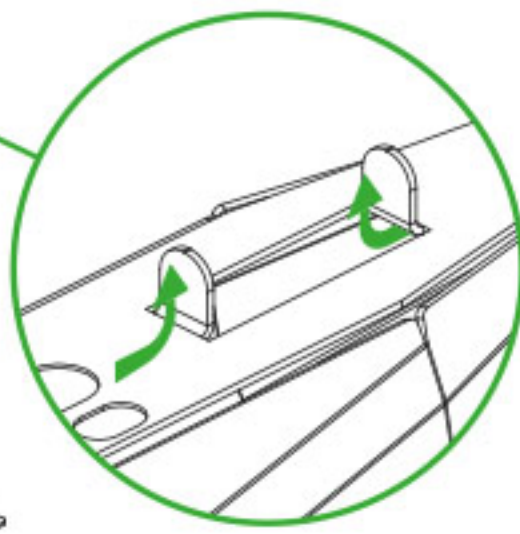
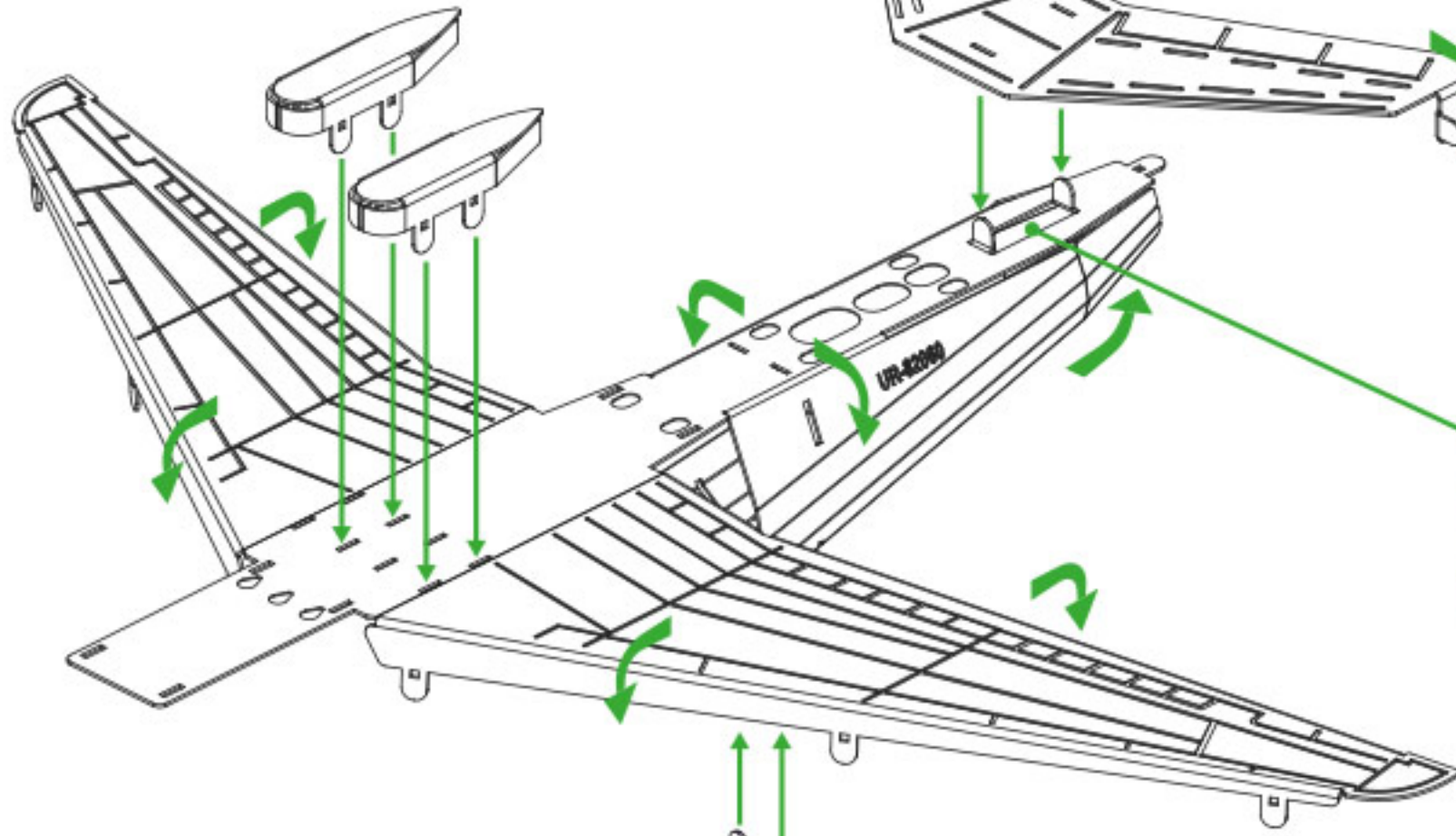
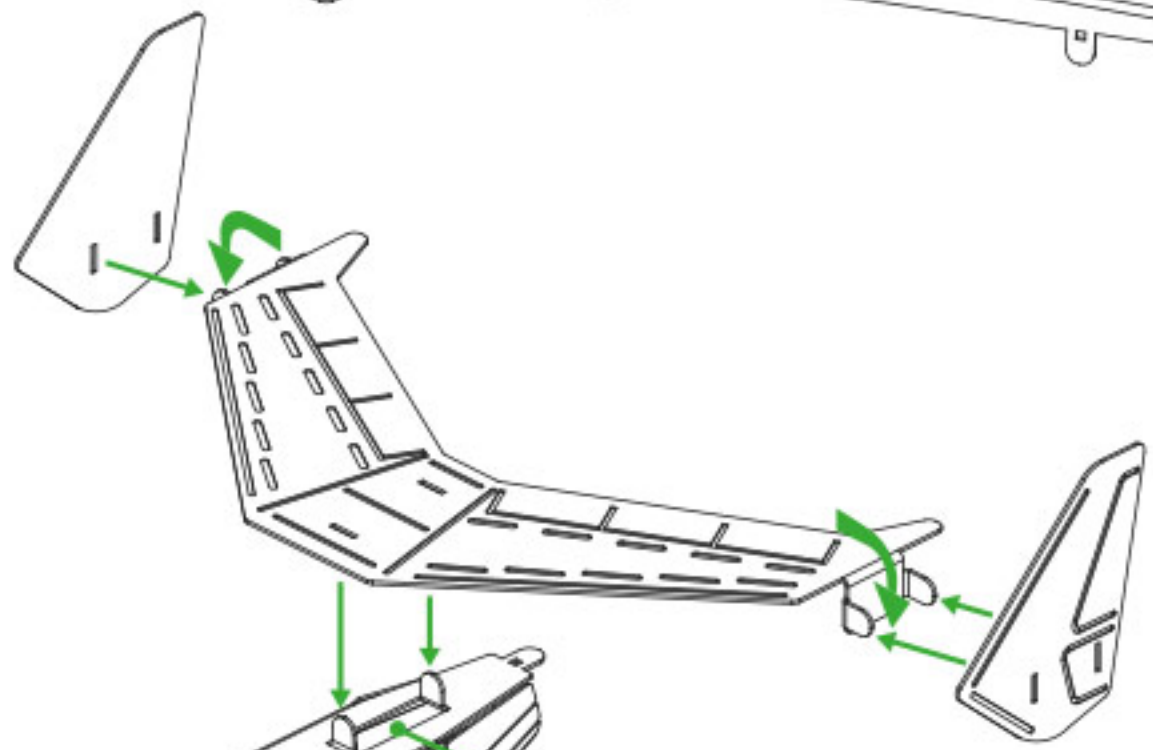




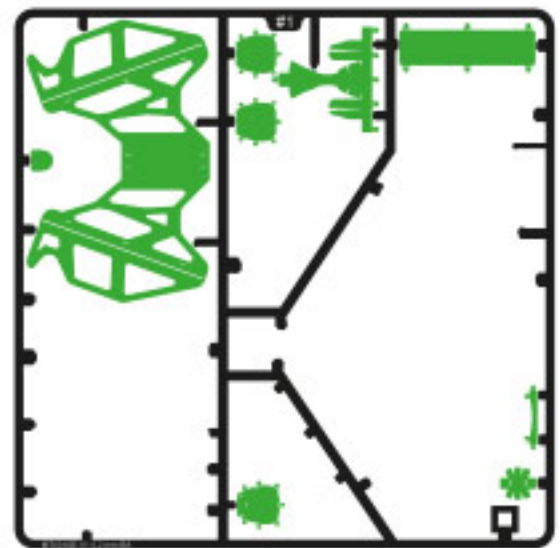
#1



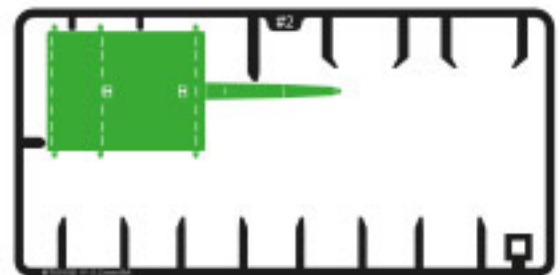
x2



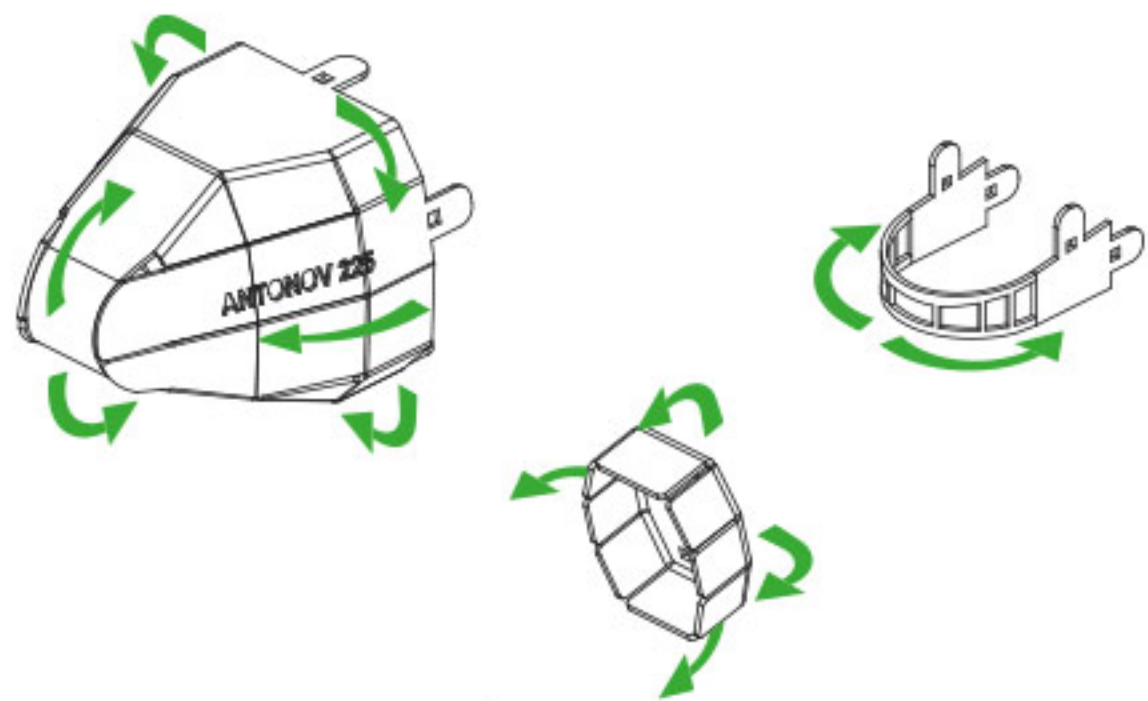




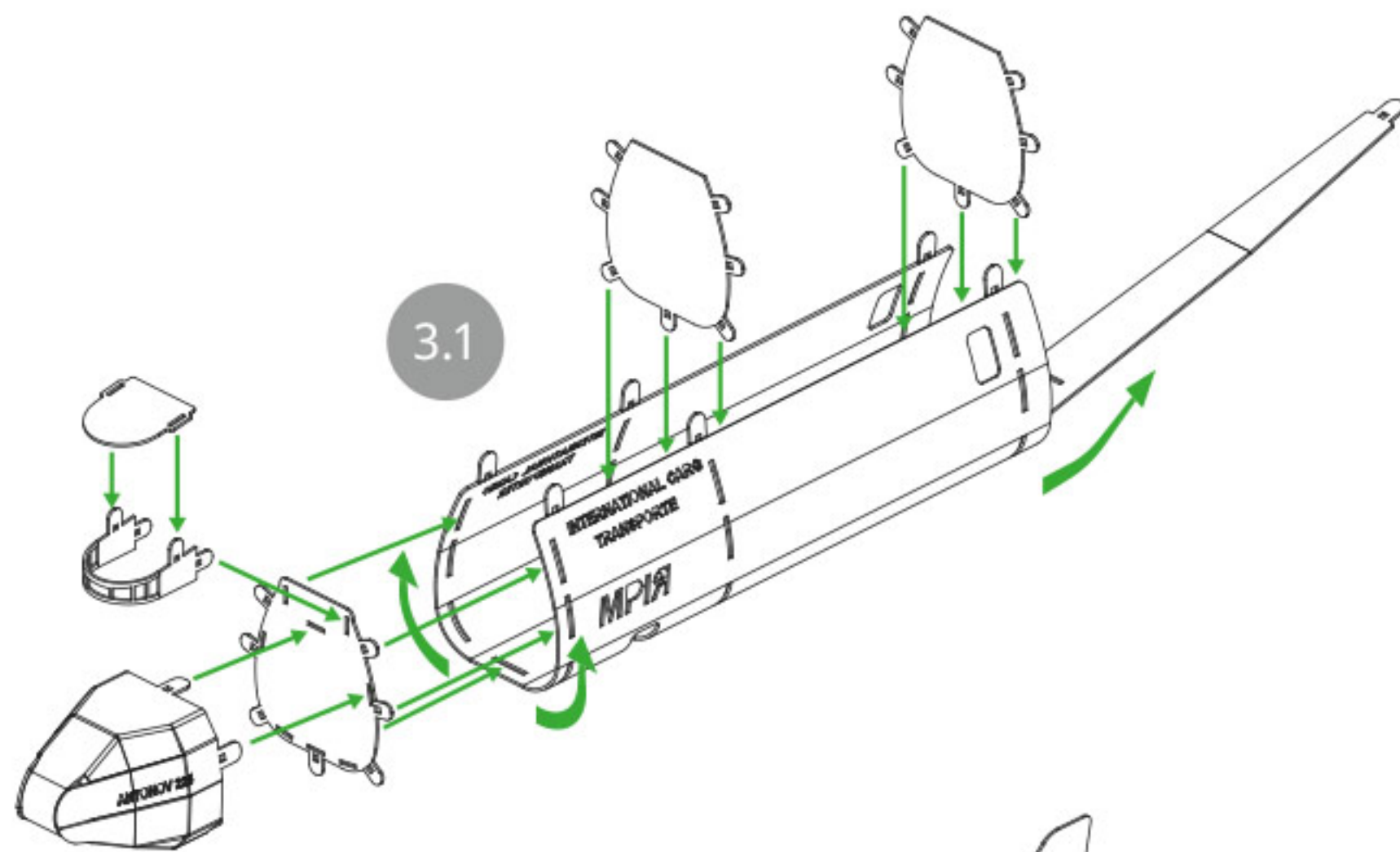
#1



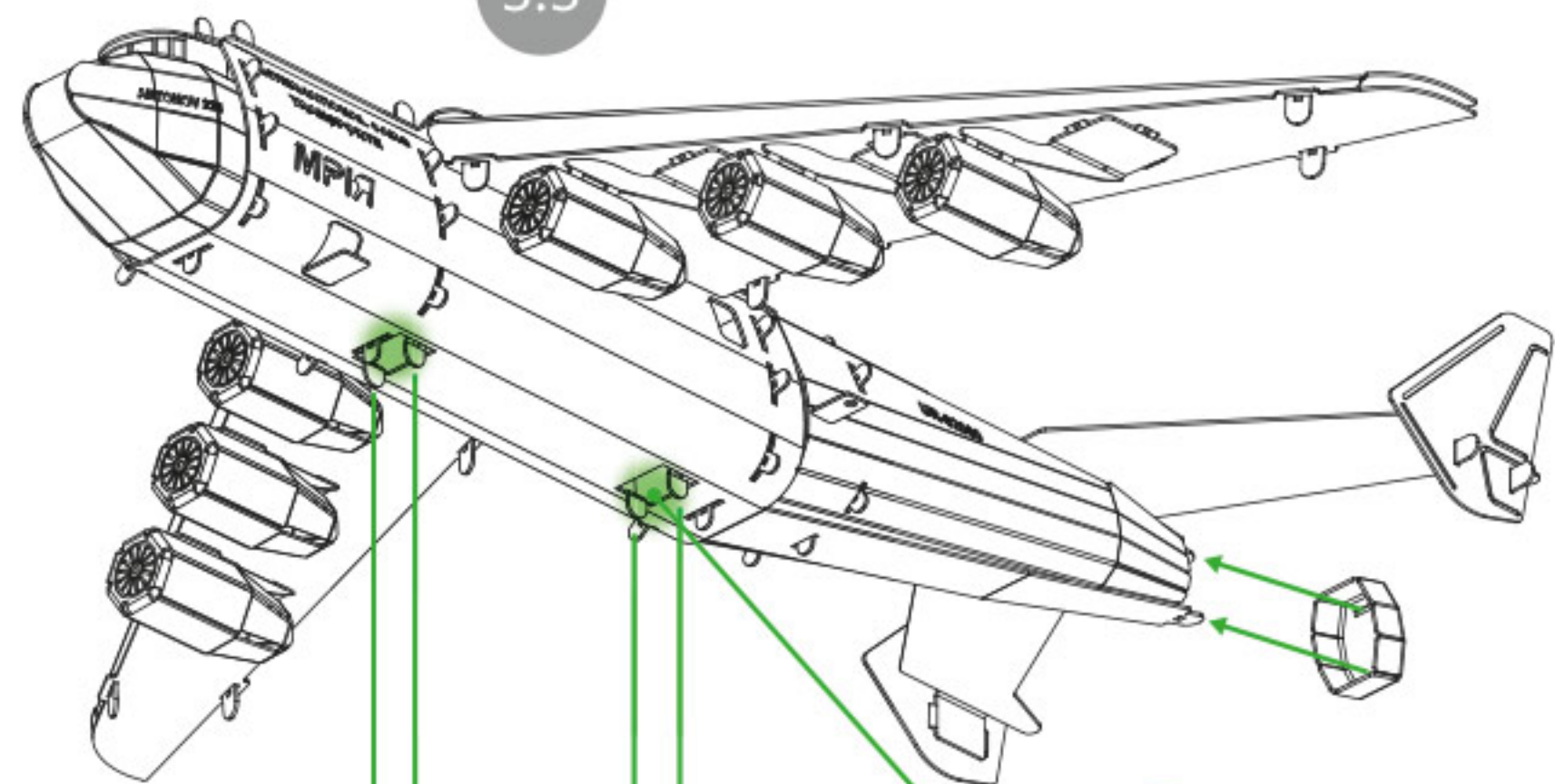
#2



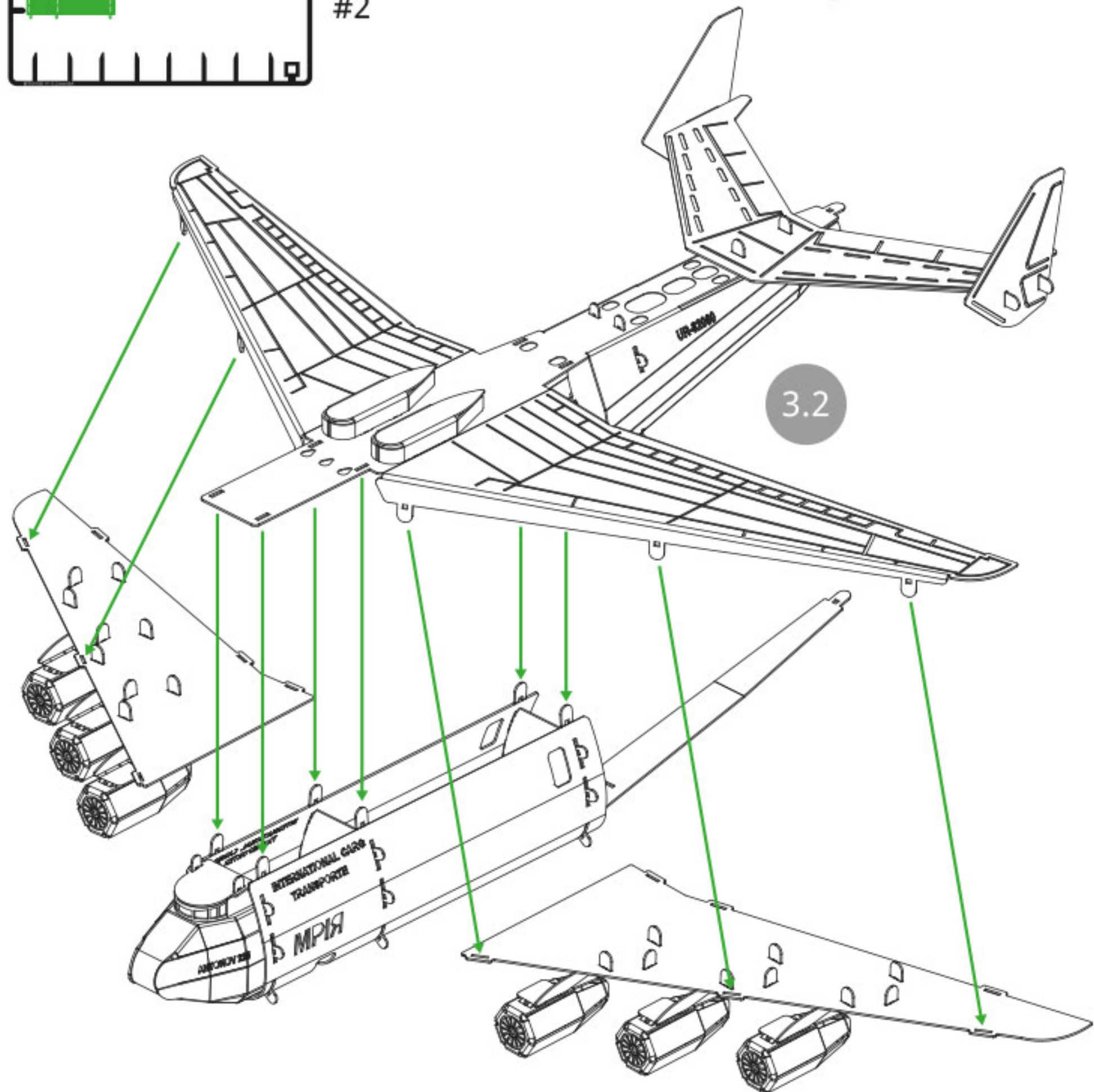
3.1



3.3



3.2



3.4

