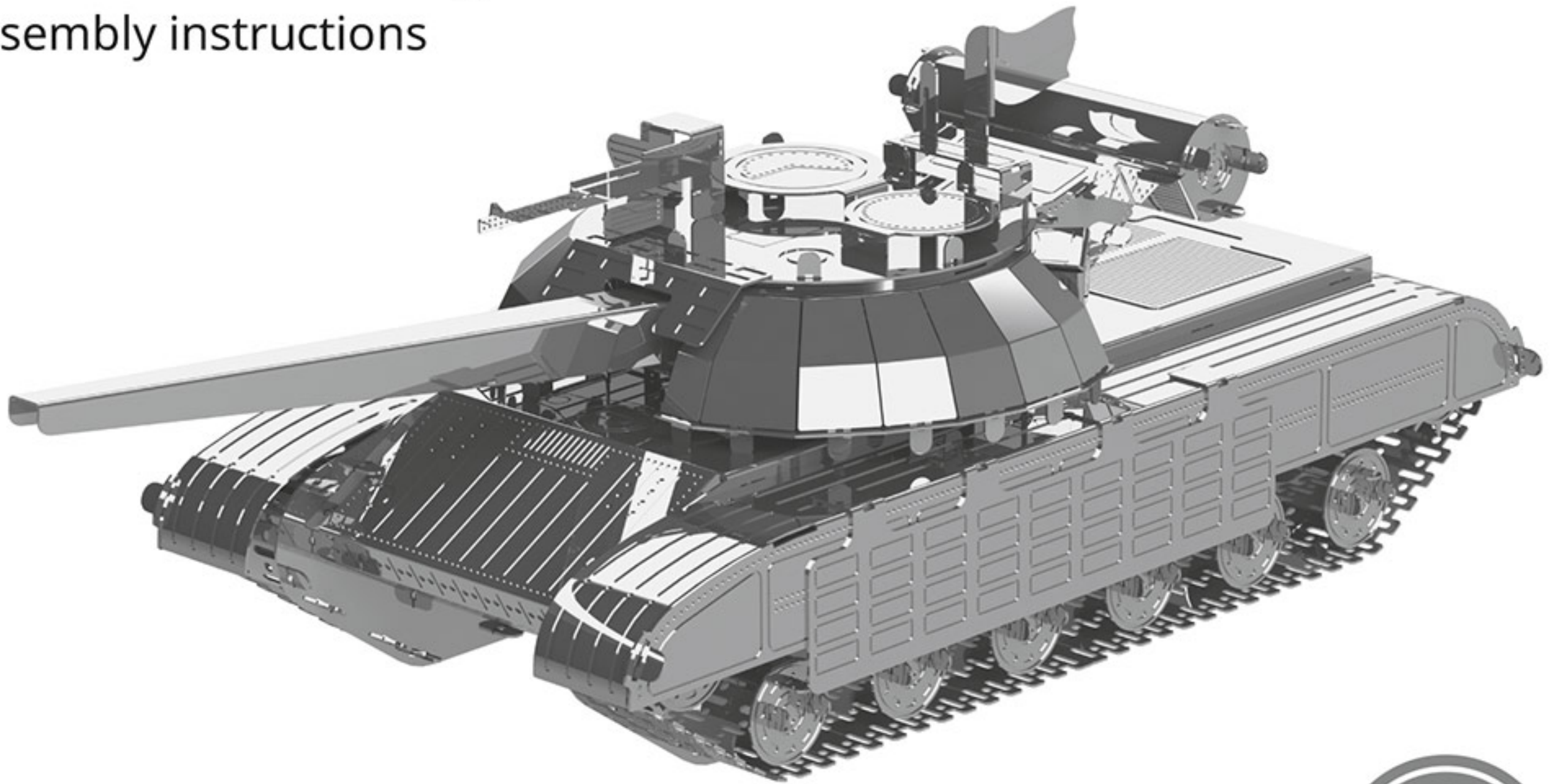




METAL<sup>®</sup>  
TIME

# BULAT T-64B

3D Metal Model Building Kit  
Assembly instructions



Collect the Best

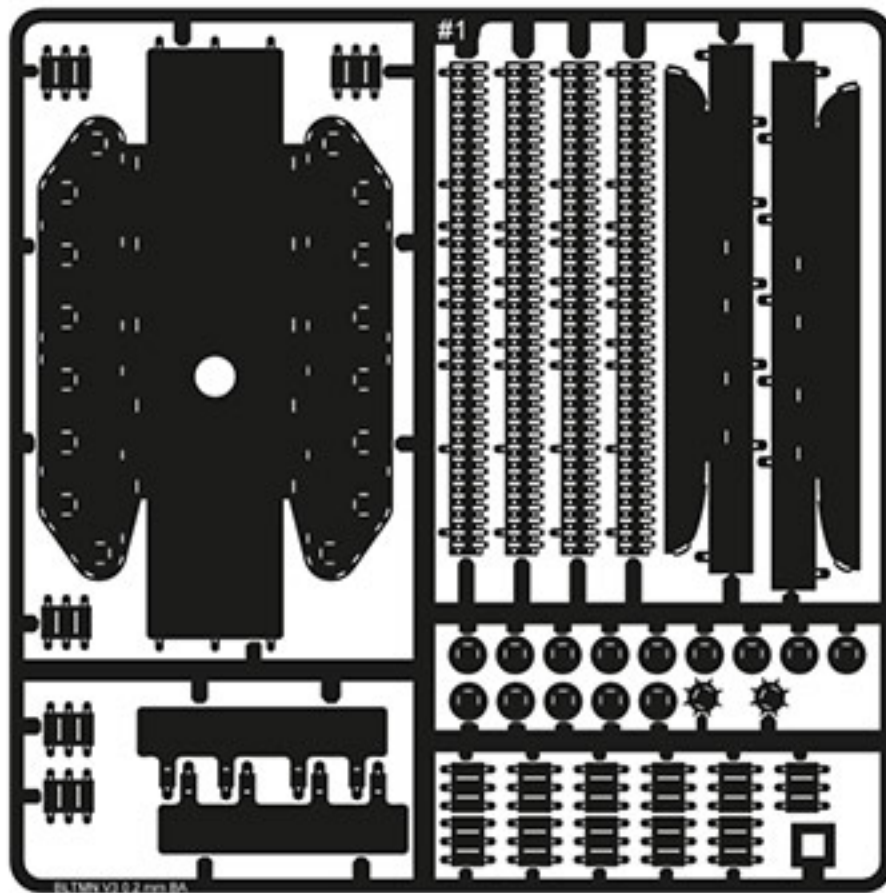
**67** PIECES

**1** hours

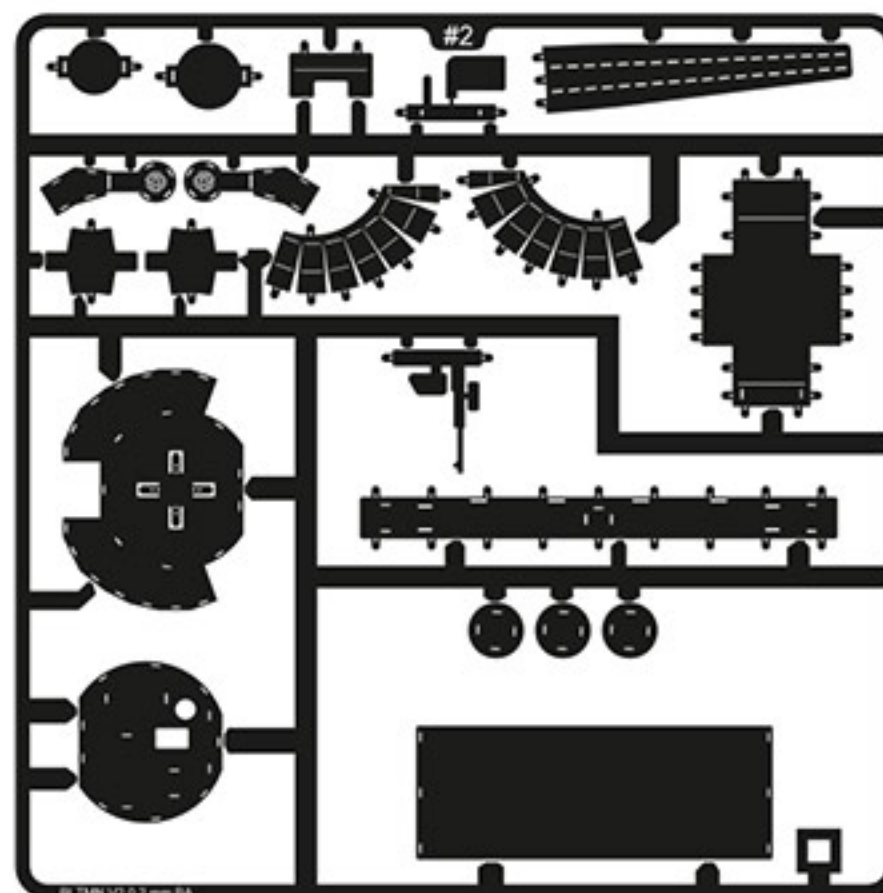
AGES  
**14+**



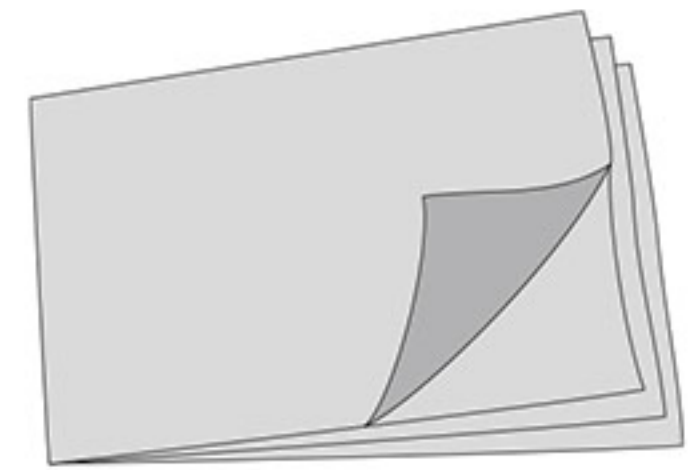
## MODEL PARTS AND ASSEMBLY TOOLS



#1



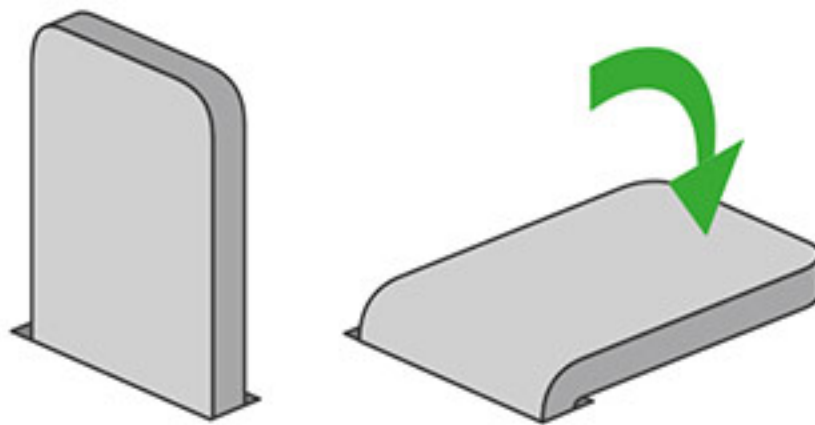
#2



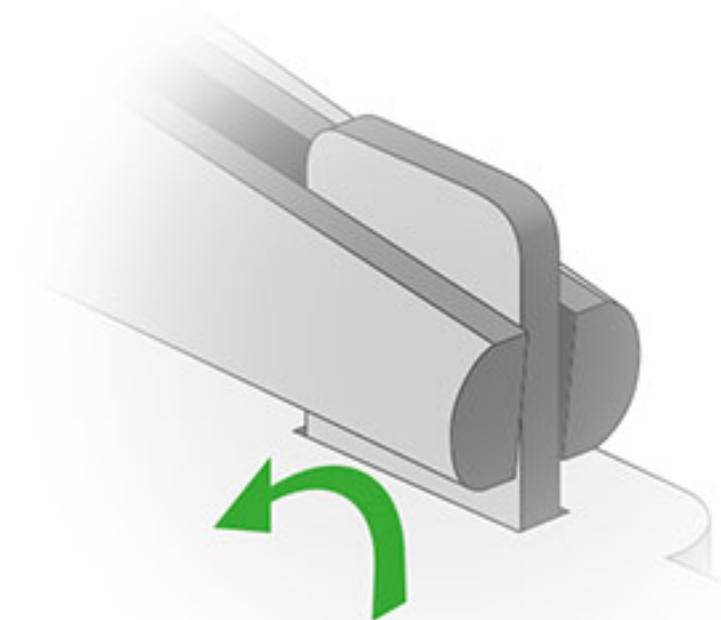
Polishing cloth

## STANDARD FIXING OF FASTENERS

When assembling the model, don't rush, avoid pointing details at yours or anyone else's face. If one of the parts has a sharp edge, please file it down. Use pliers and additional tools to assemble the model. Each kit contains a cloth for wiping and polishing the model once it's assembled.

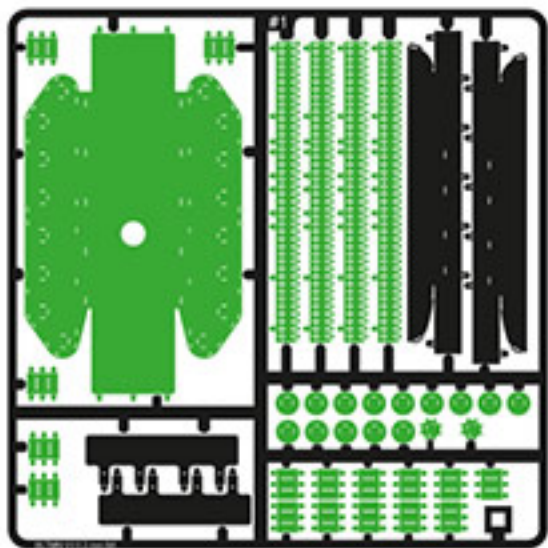


If there are no additional designations, use the standard fixing method

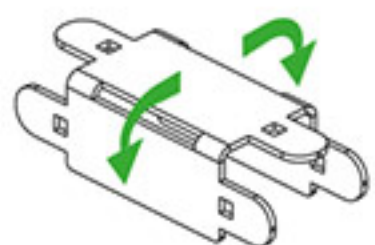
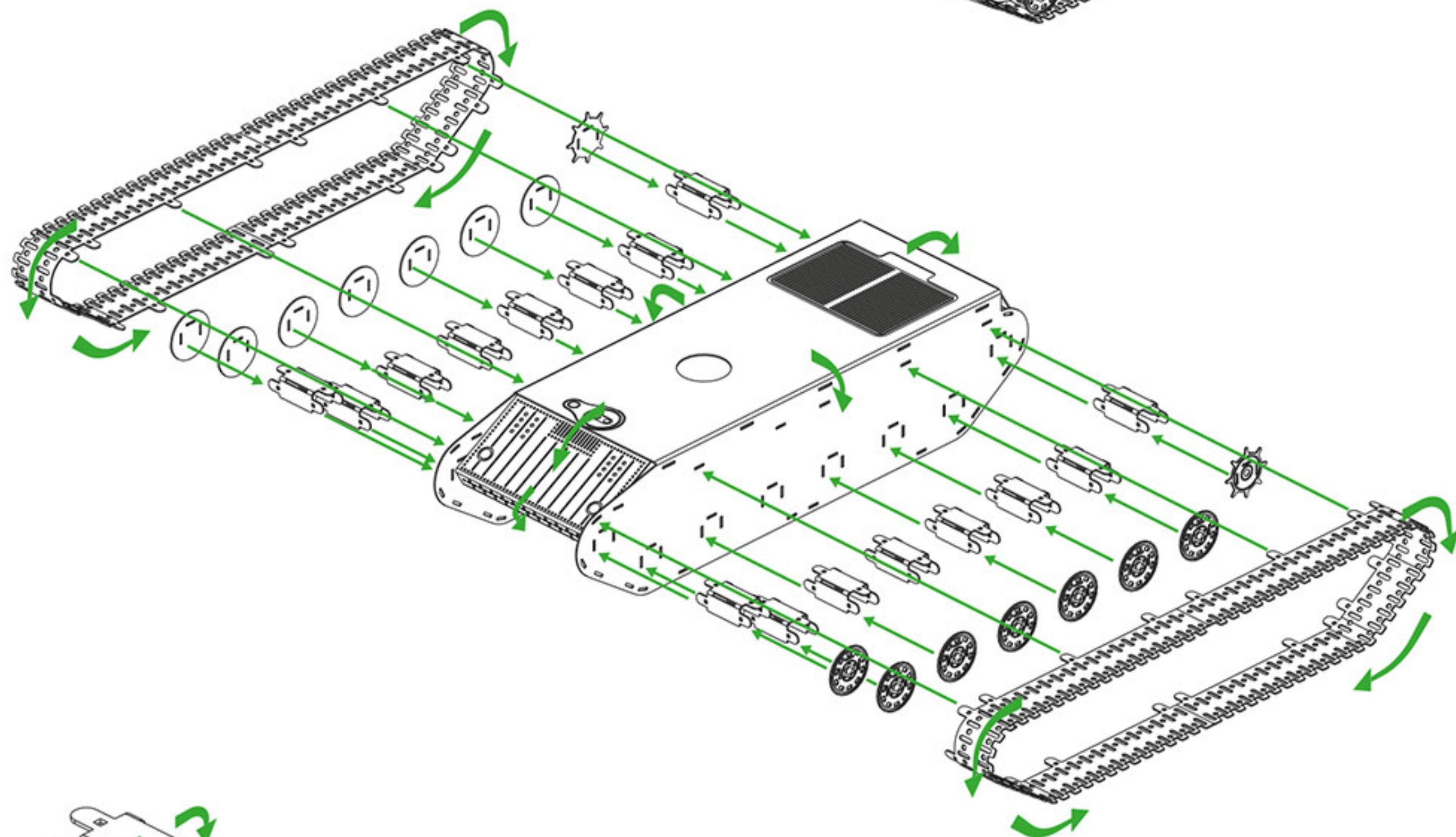
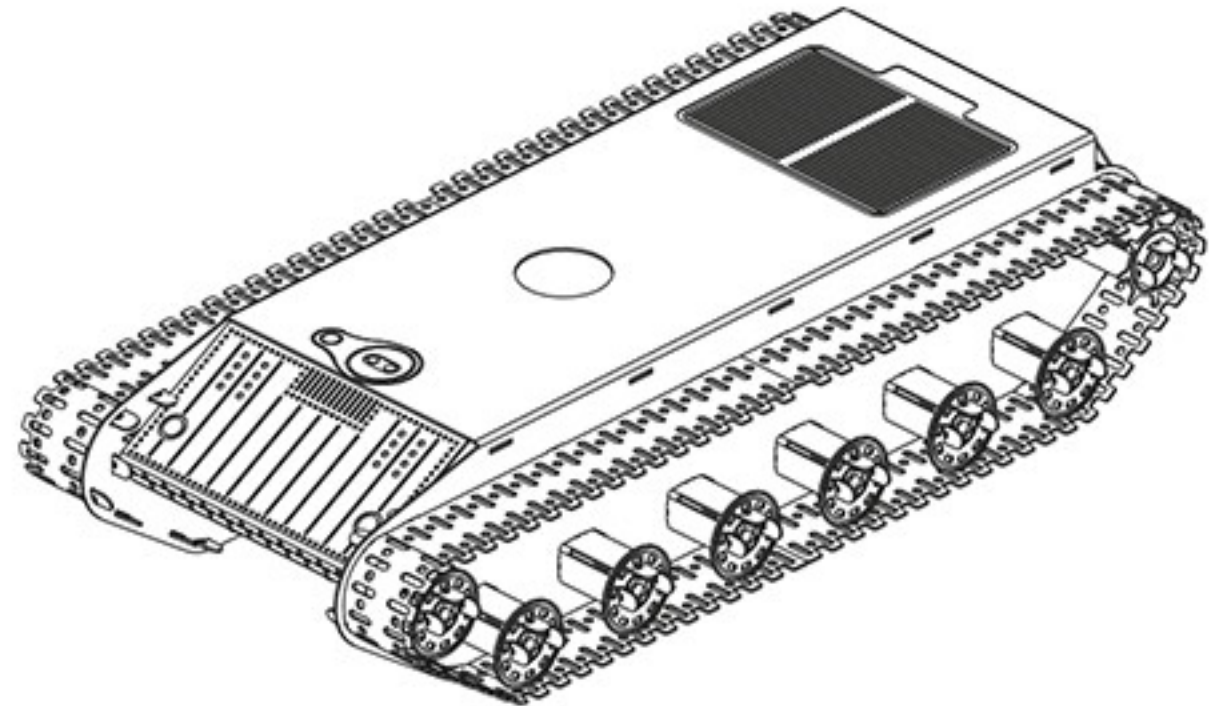


Use pliers to bend the fasteners

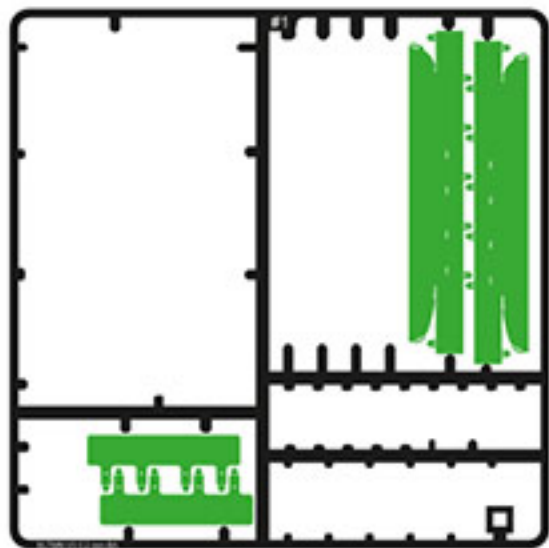
**WARNING!** Product contains small parts and sharp parts. Not suitable for children under 3 years of age. Model for collectors, suitable for children 14+



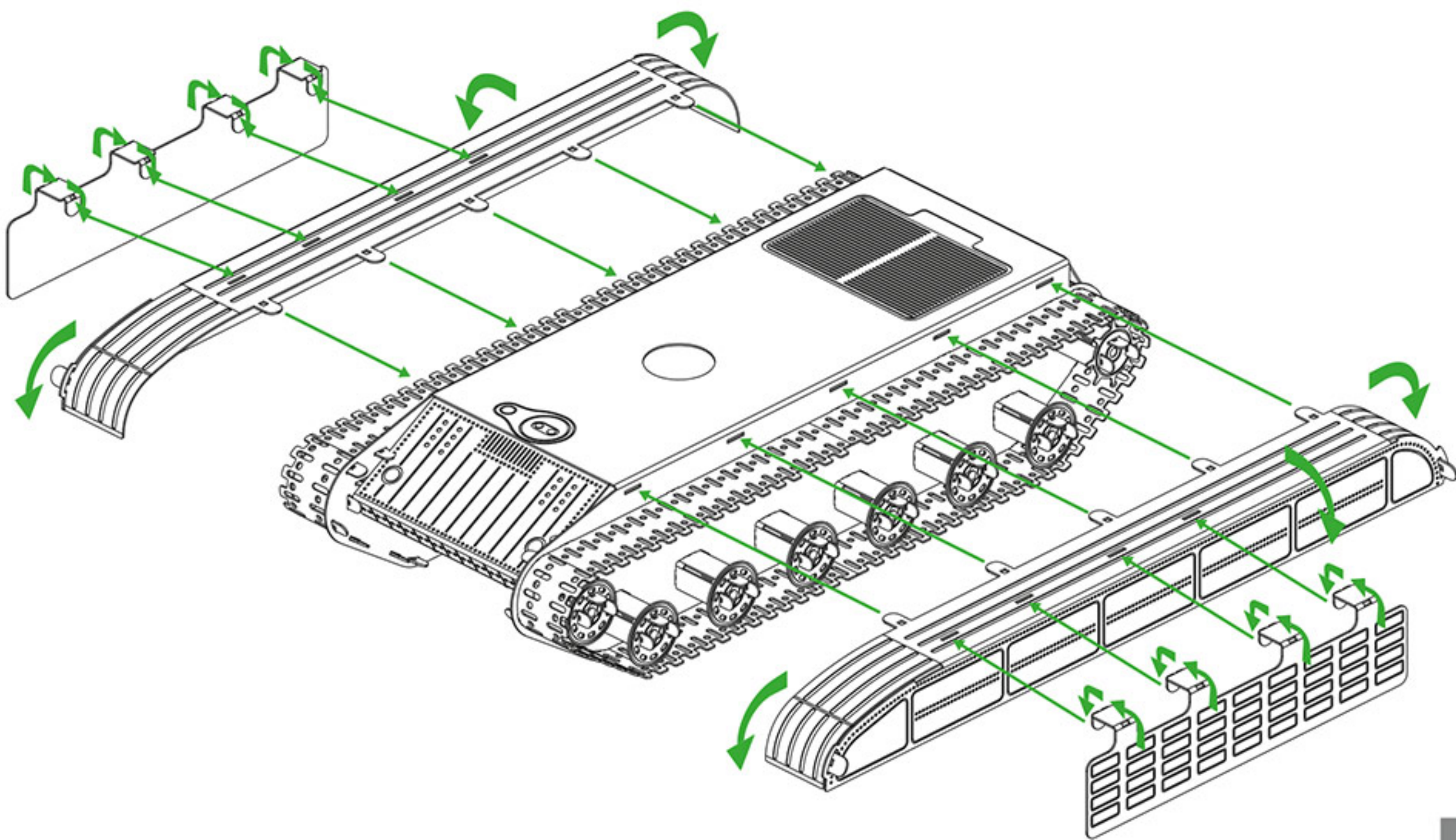
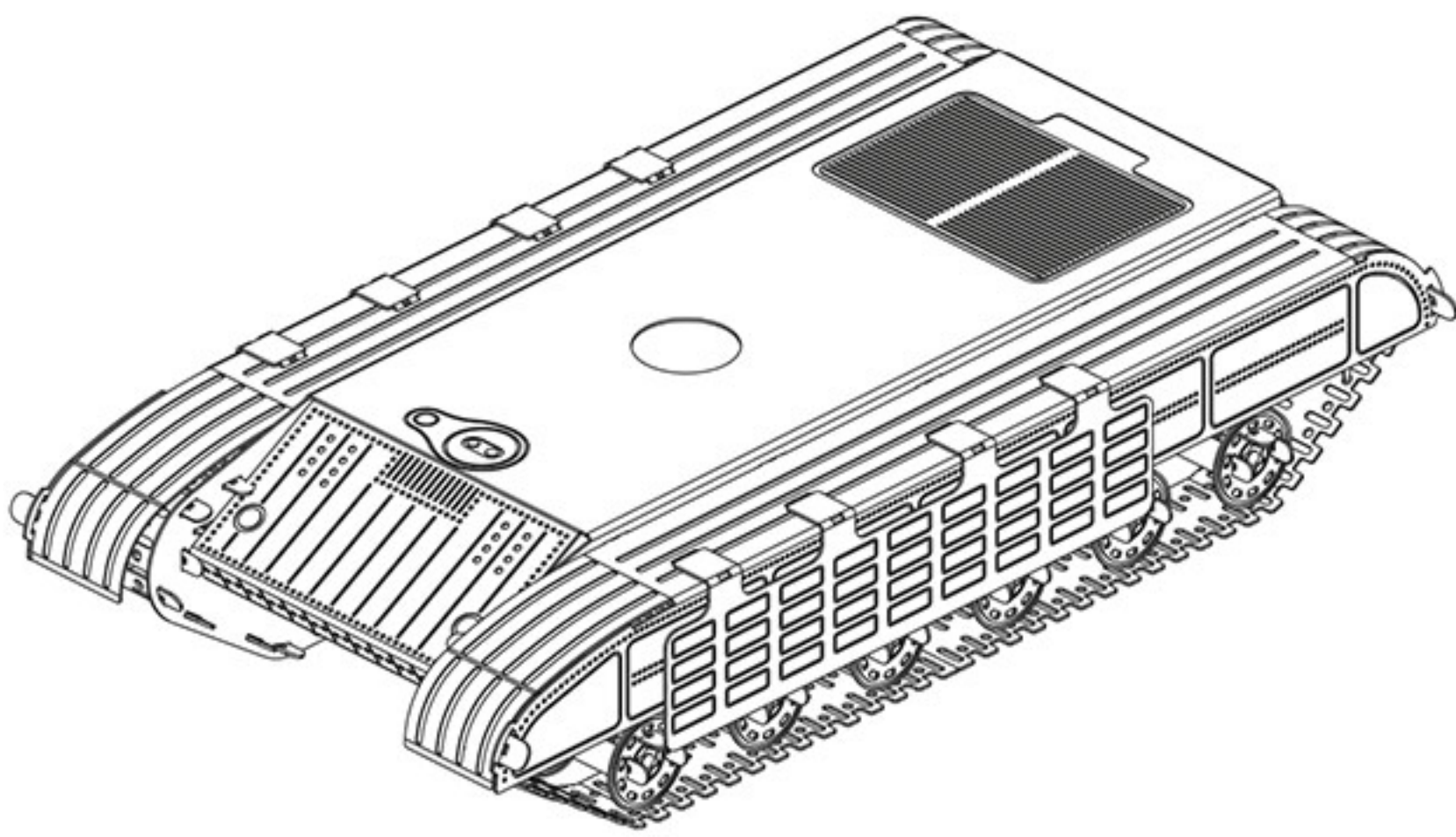
#1

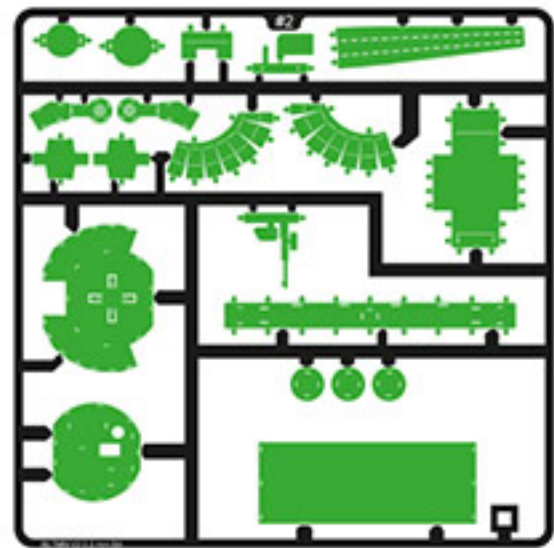


x16

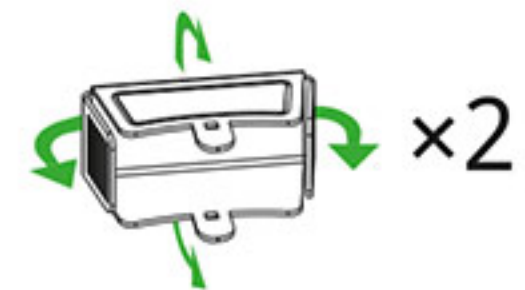


#1

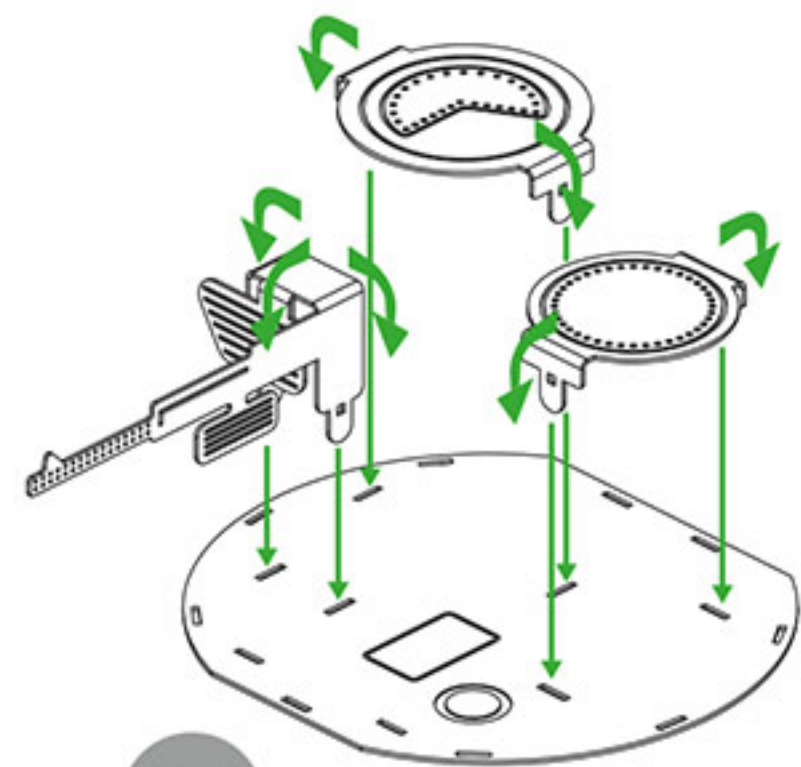




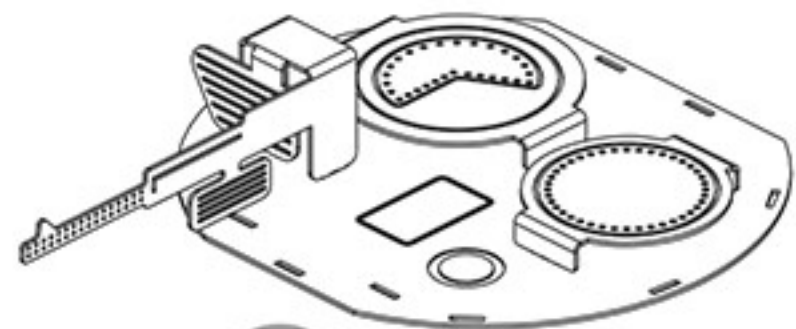
#2



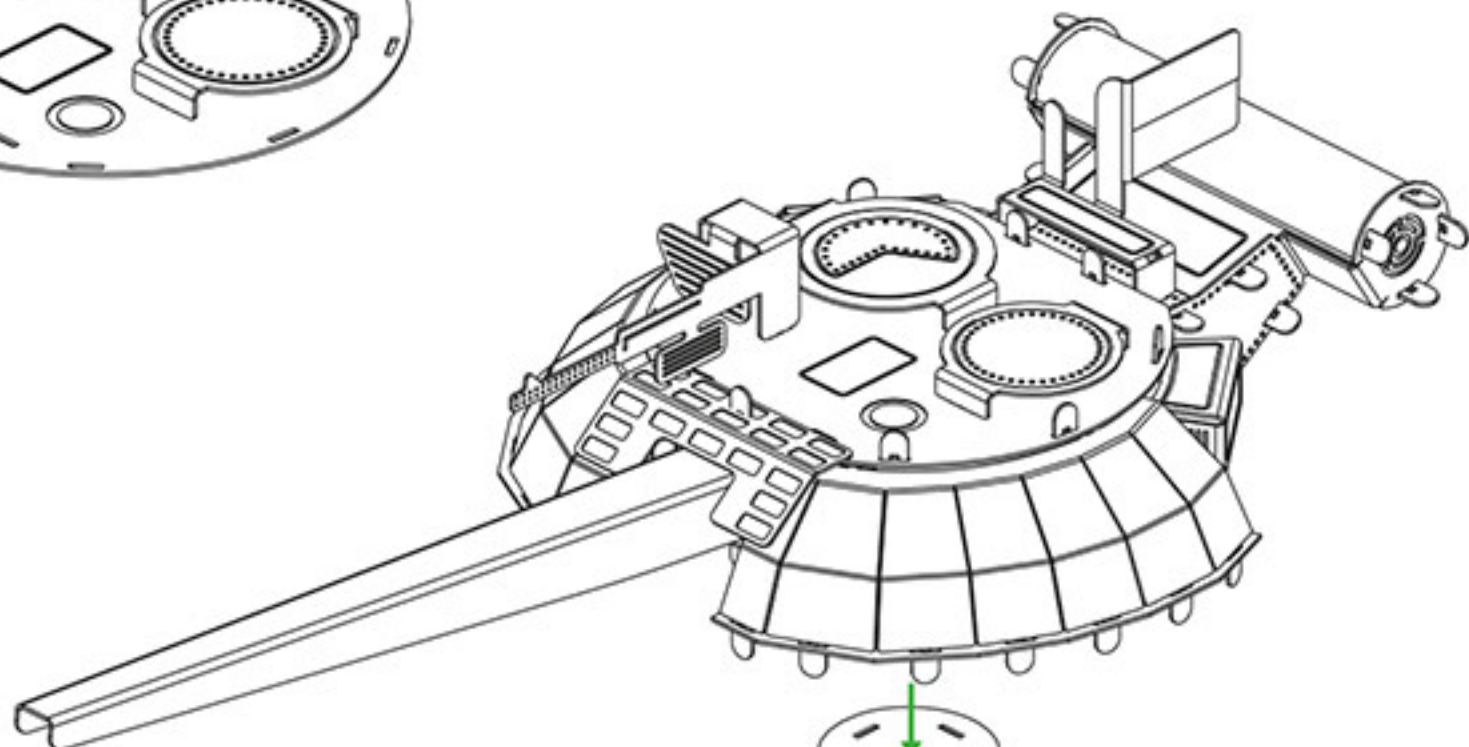
x2



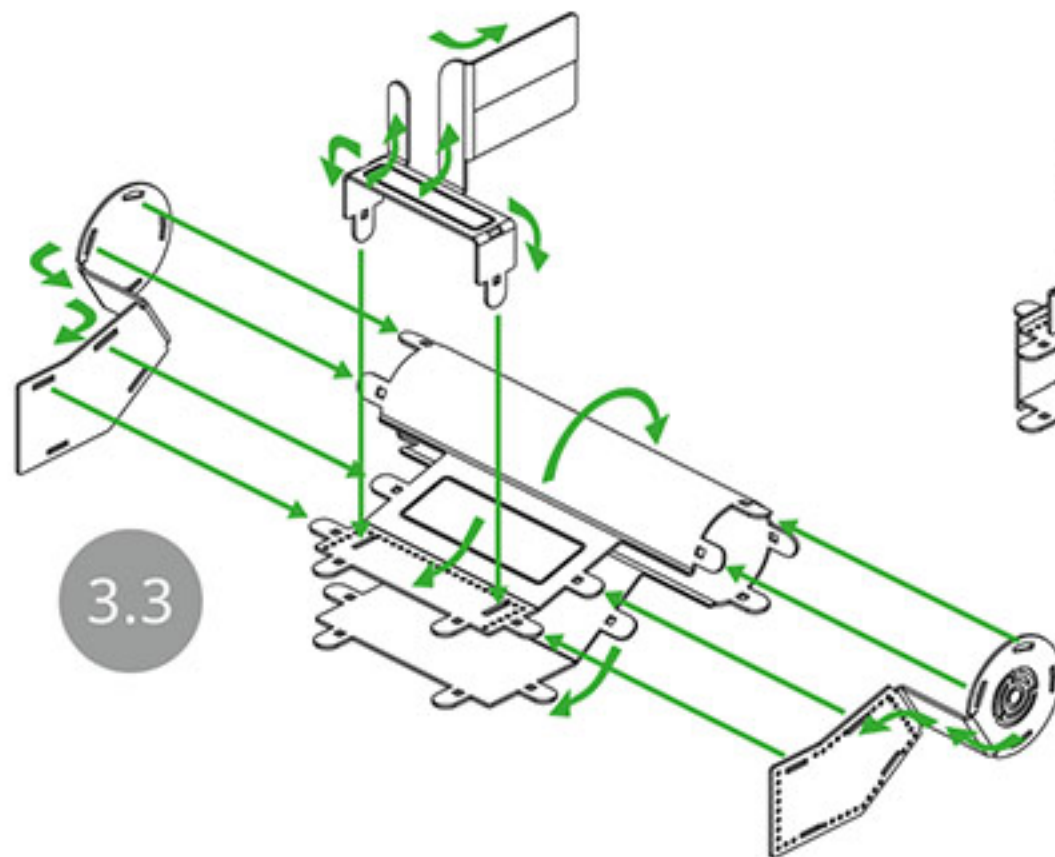
3.1



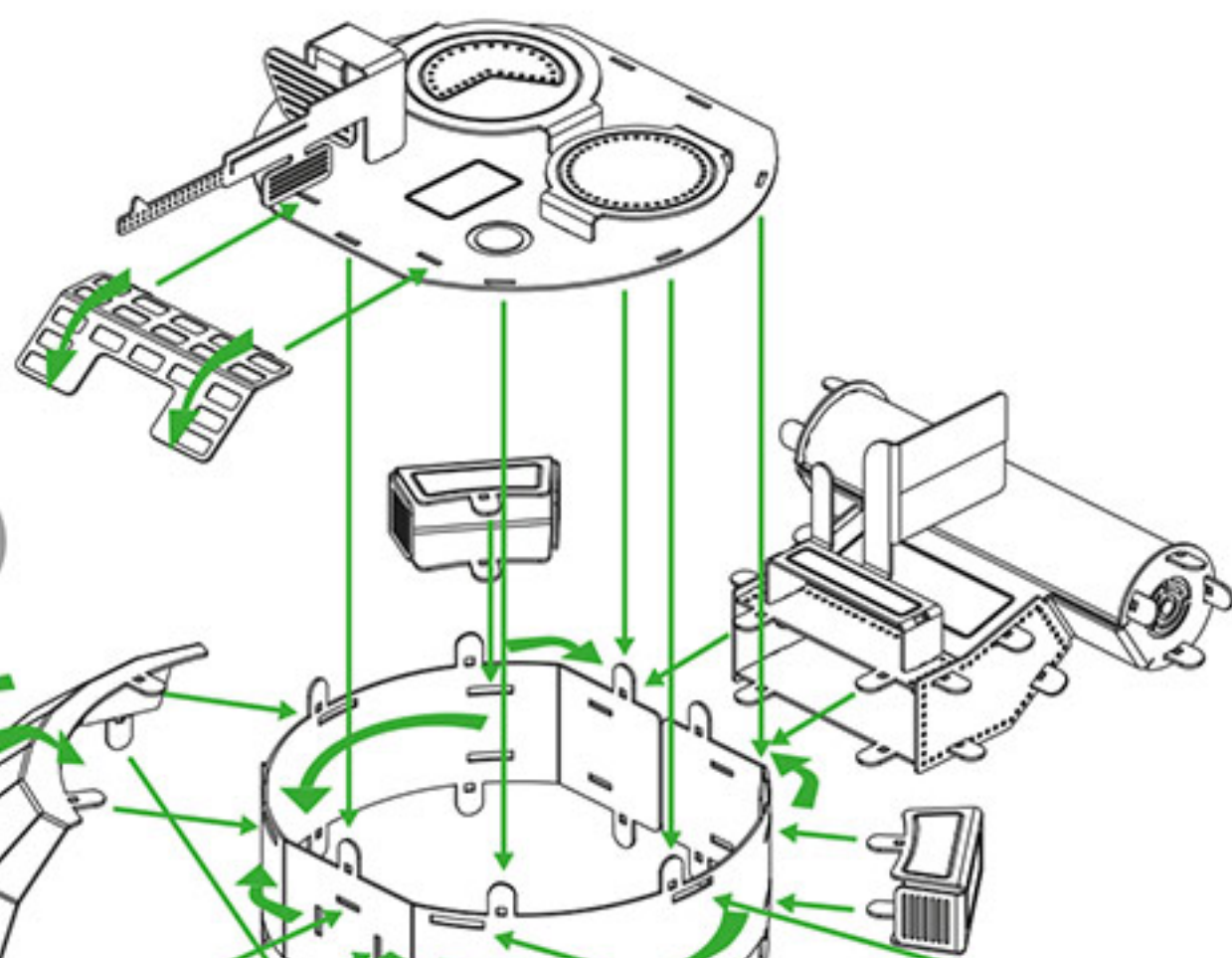
3.2



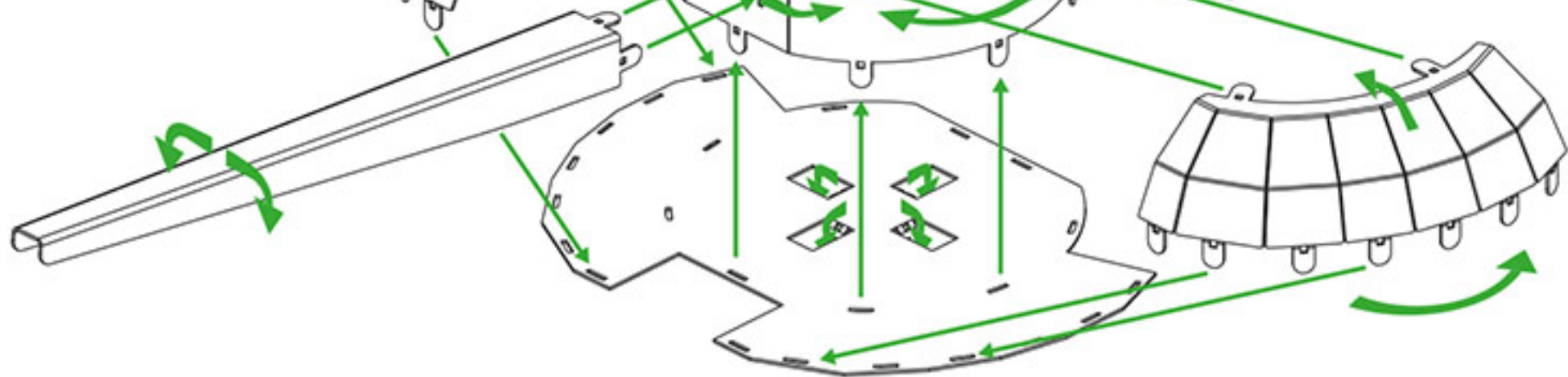
3.3



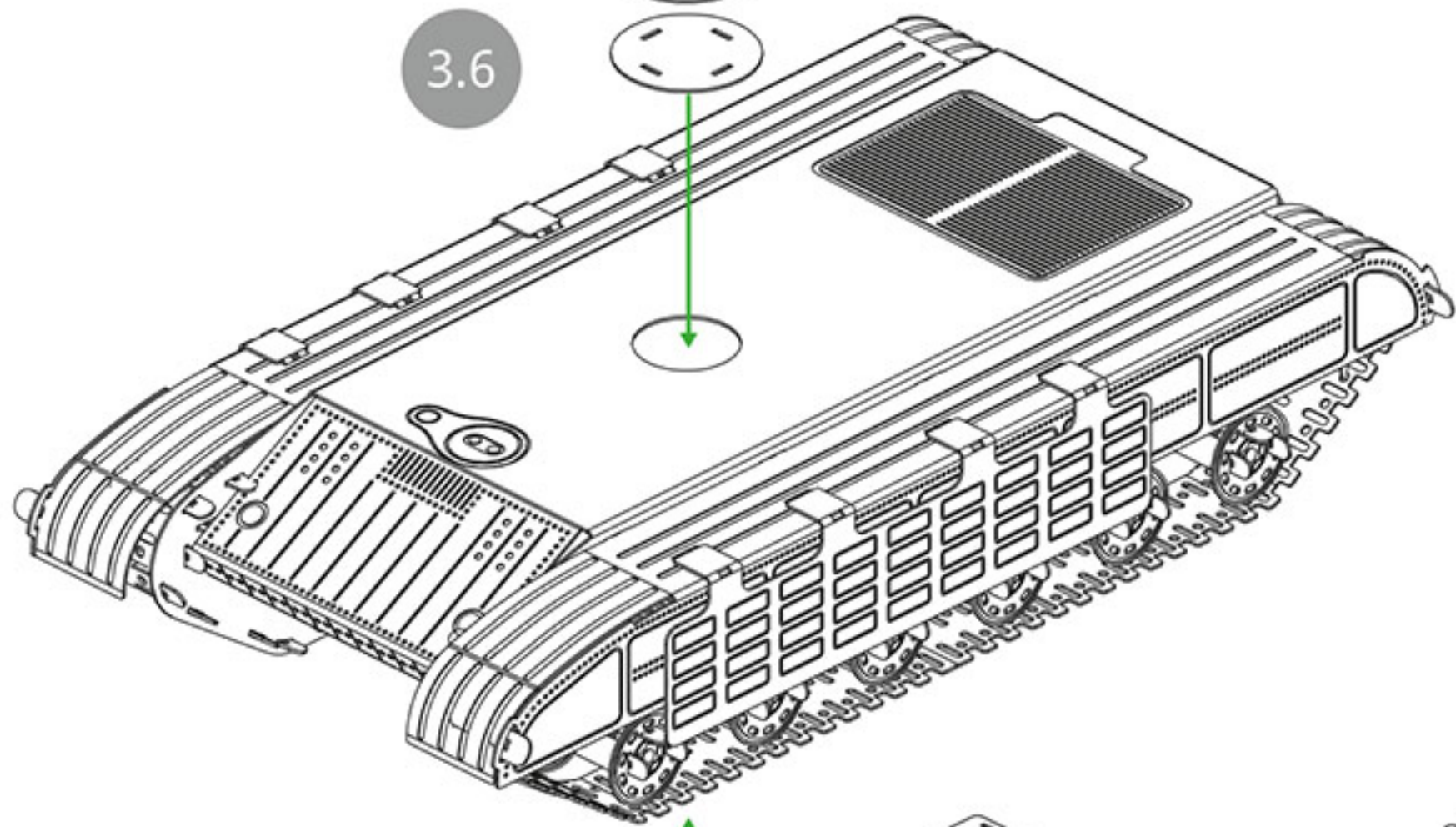
3.4



3.5



3.6



3.7

