



METAL<sup>®</sup>  
TIME

# SS GREAT BRITAIN

3D Metal Model Building Kit  
Assembly instructions



Collect the Best

**29** PIECES

**2** hours

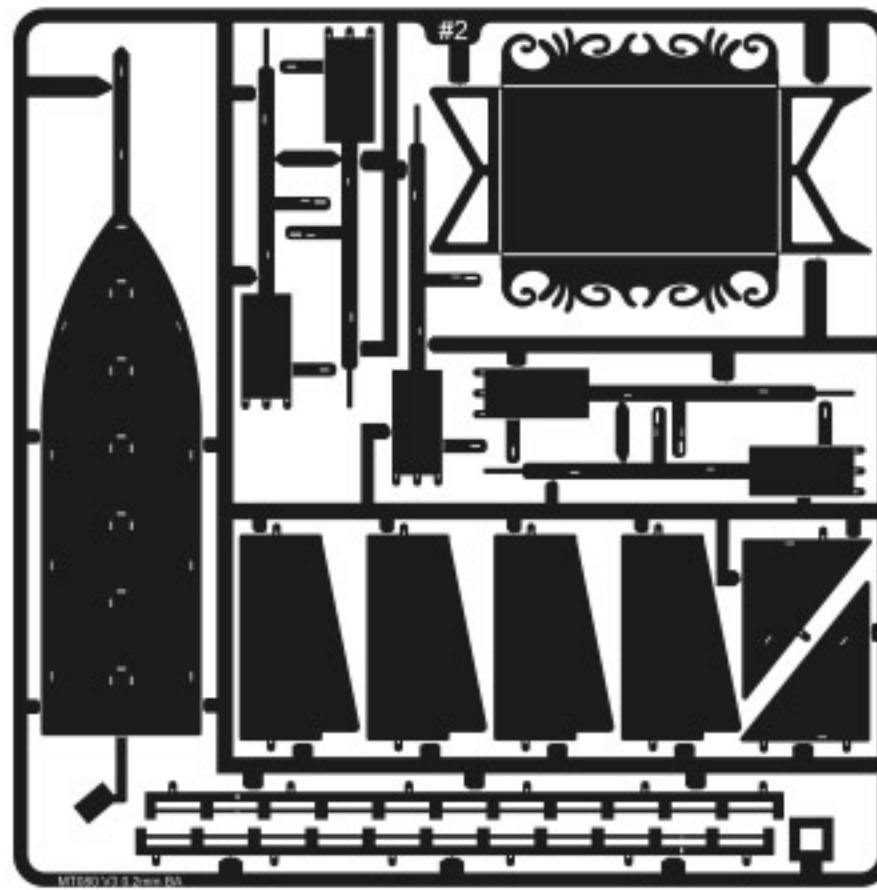
AGES  
**14+**



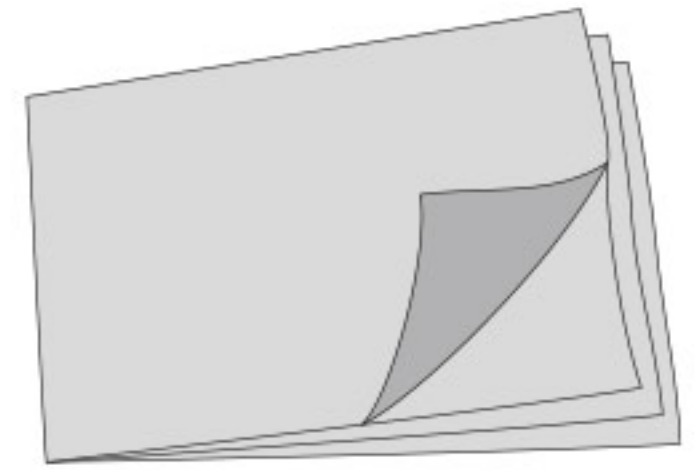
## MODEL PARTS AND ASSEMBLY TOOLS



#1



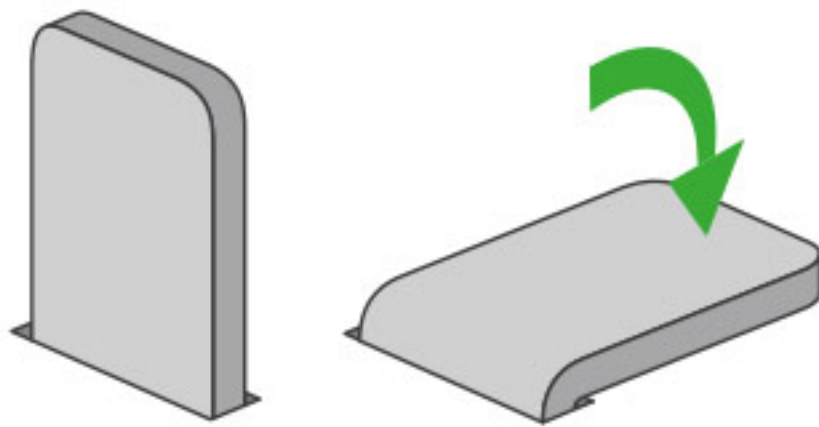
#2



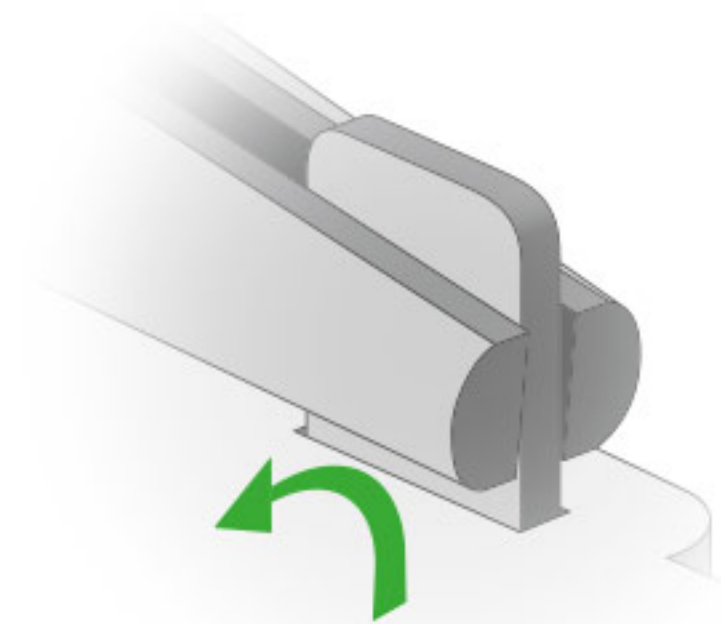
Polishing cloth

## STANDARD FIXING OF FASTENERS

When assembling the model, don't rush, avoid pointing details at yours or anyone else's face. If one of the parts has a sharp edge, please file it down. Use pliers and additional tools to assemble the model. Each kit contains a cloth for wiping and polishing the model once it's assembled.



If there are no additional designations, use the standard fixing method

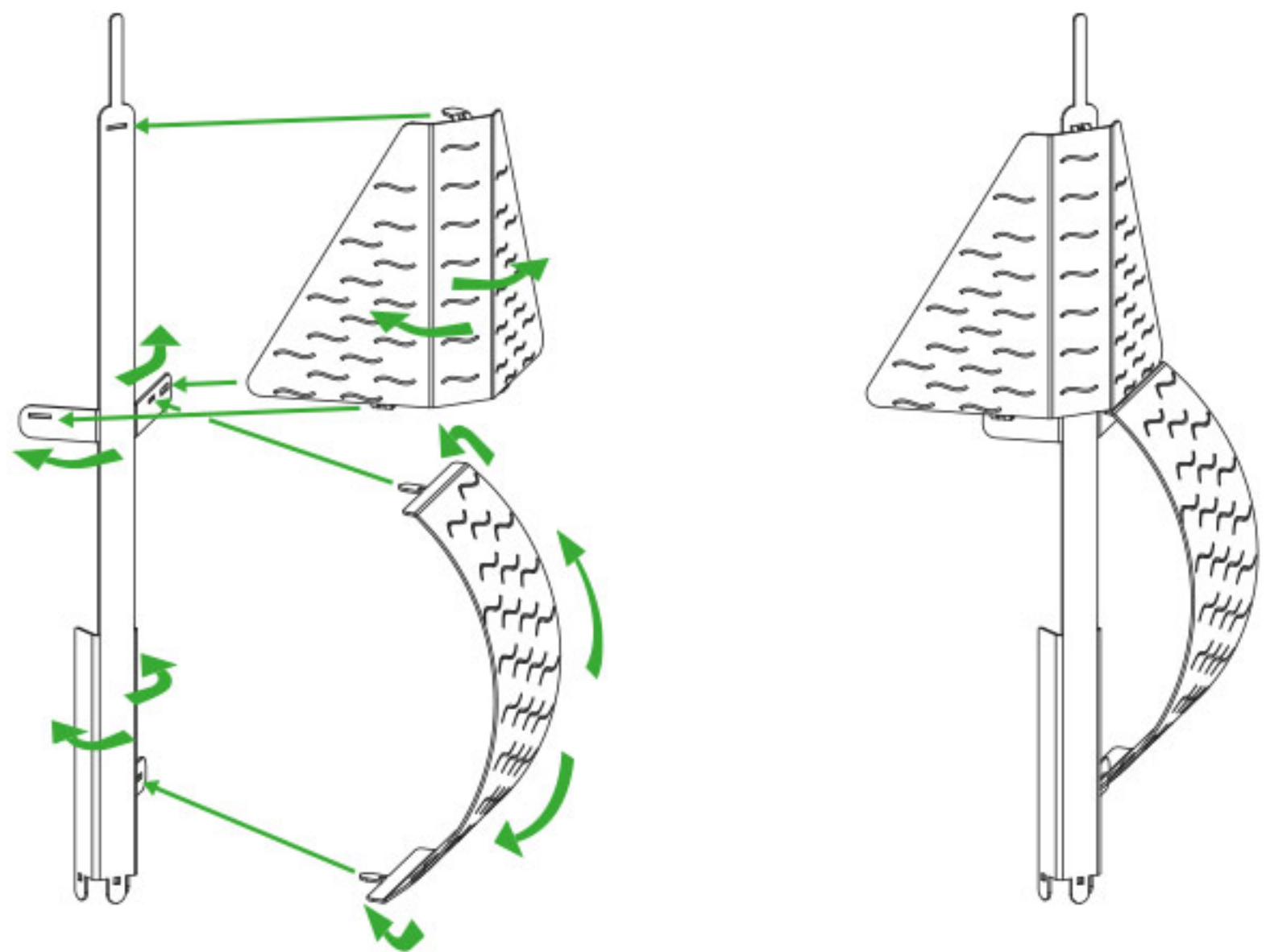


Use pliers to bend the fasteners

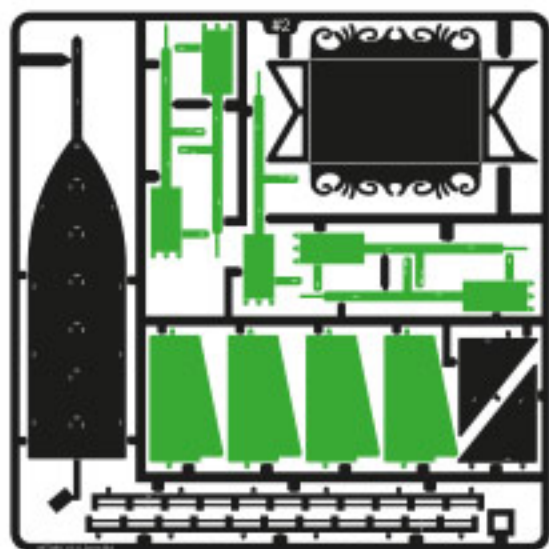
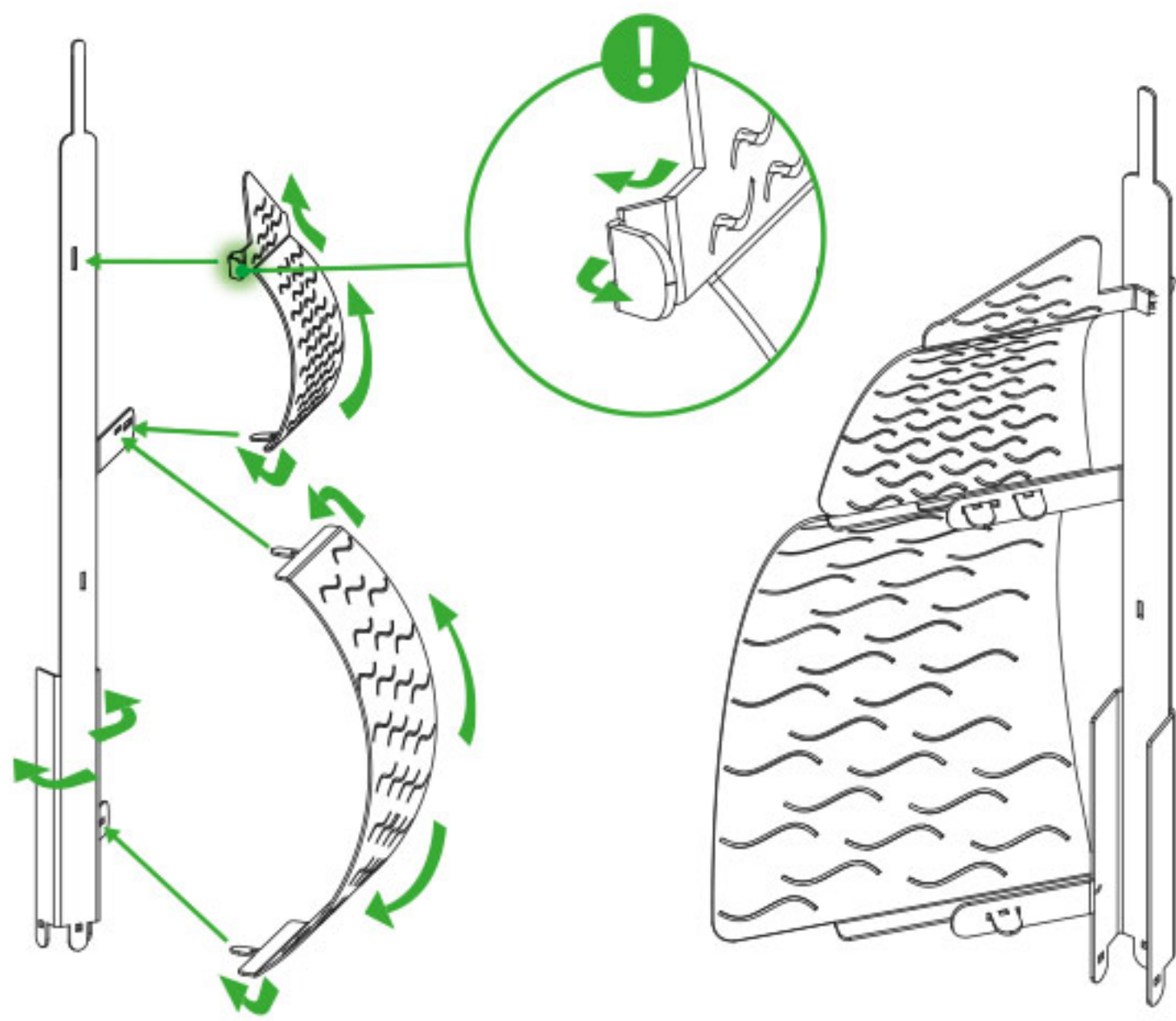
**WARNING!** Product contains small parts and sharp parts. Not suitable for children under 3 years of age. Model for collectors, suitable for children 14+



#1



#1

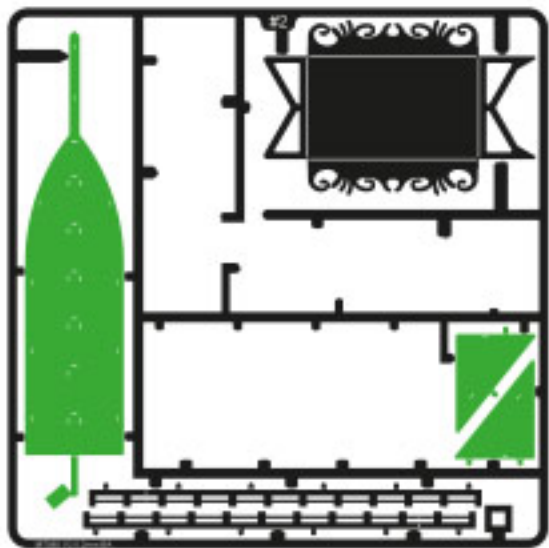


#2

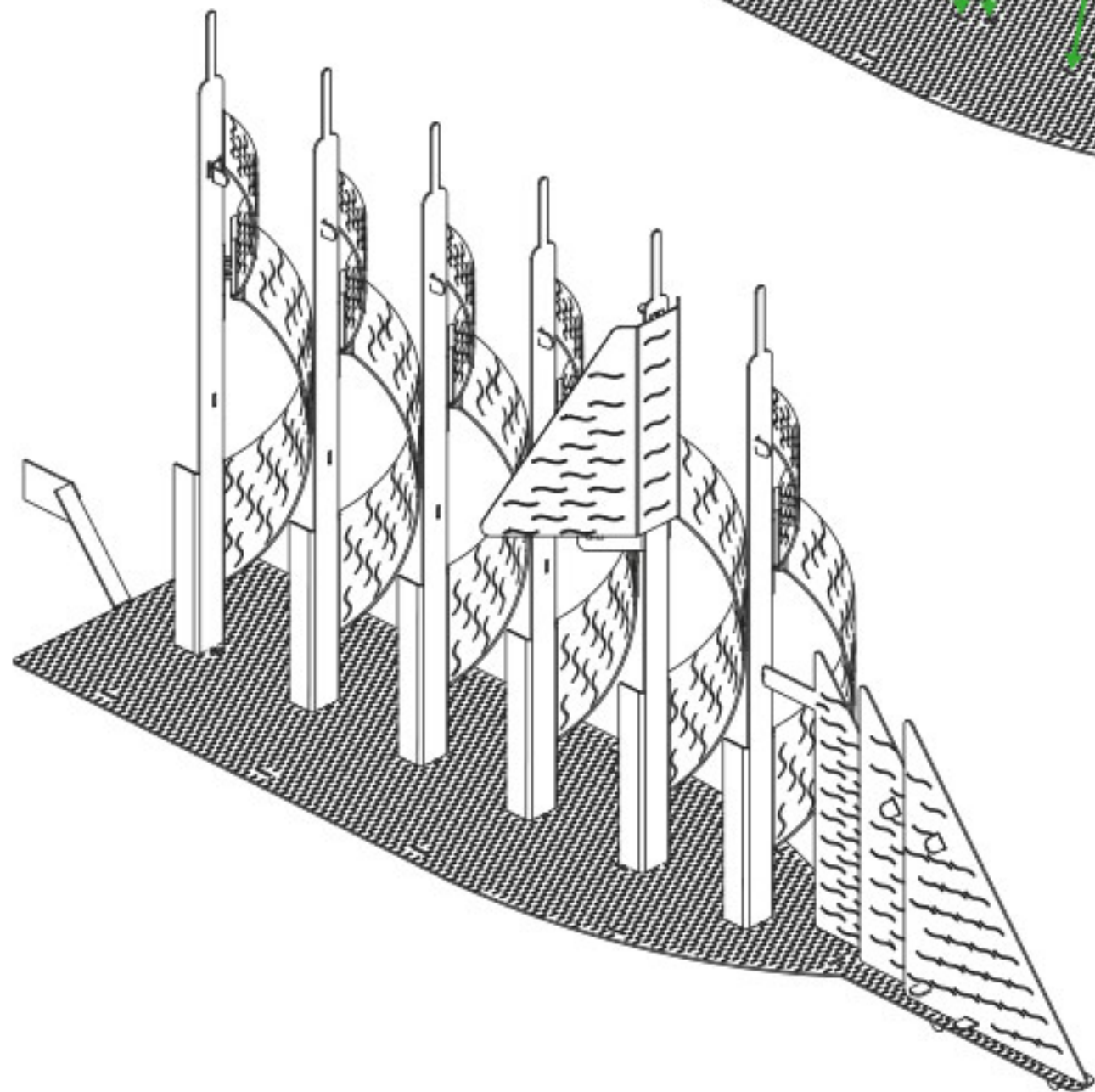
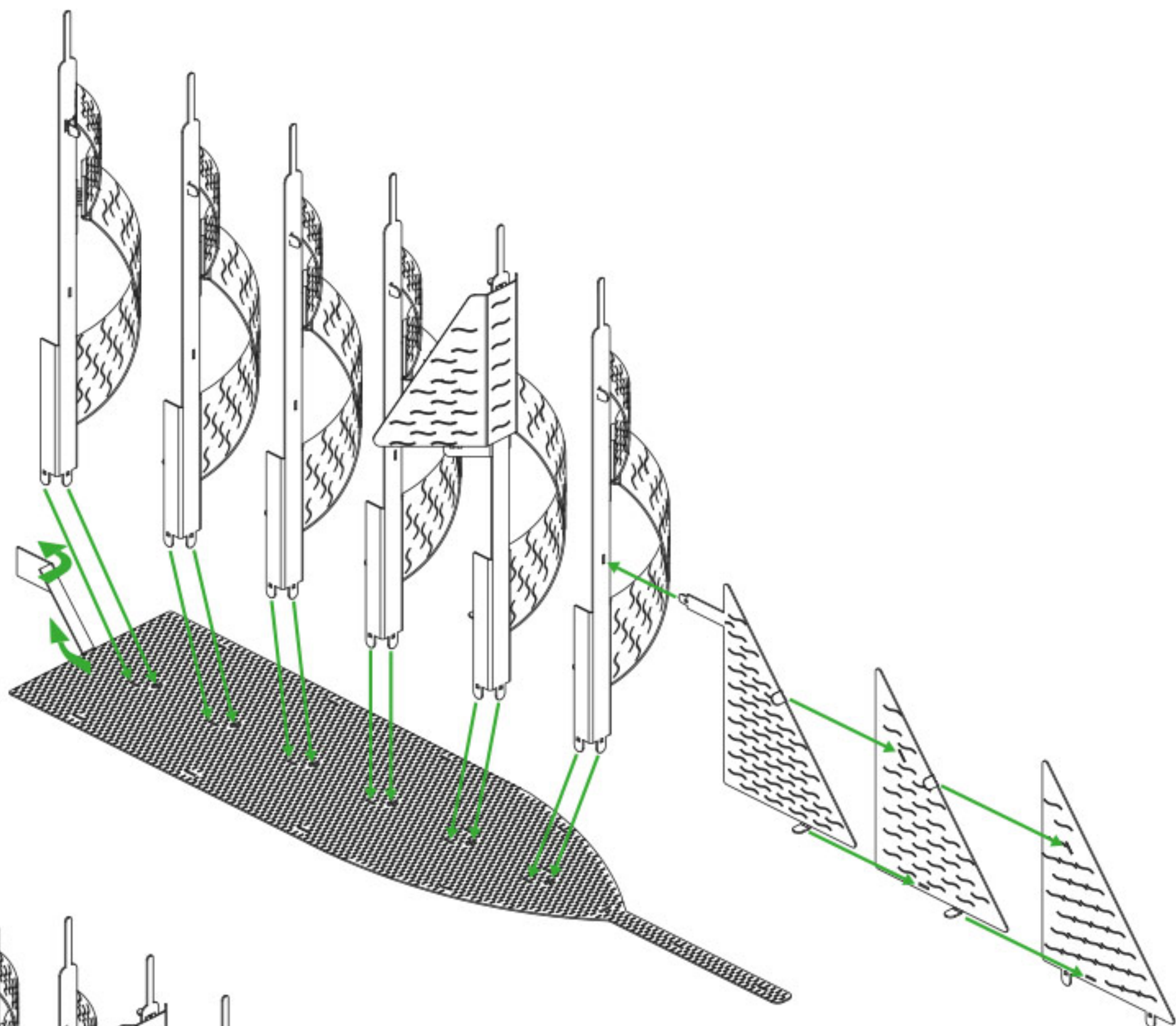
x5

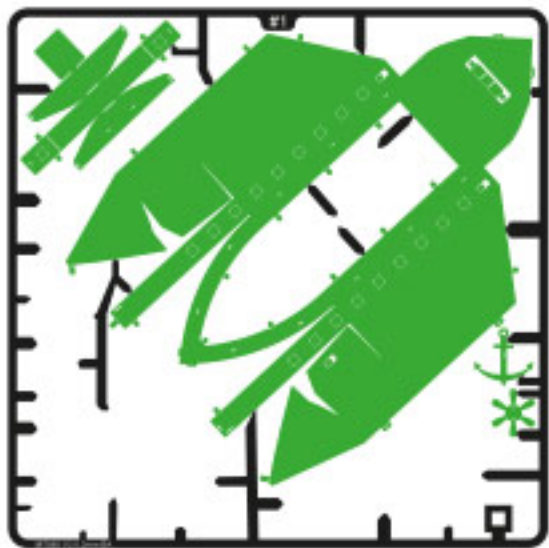


#1

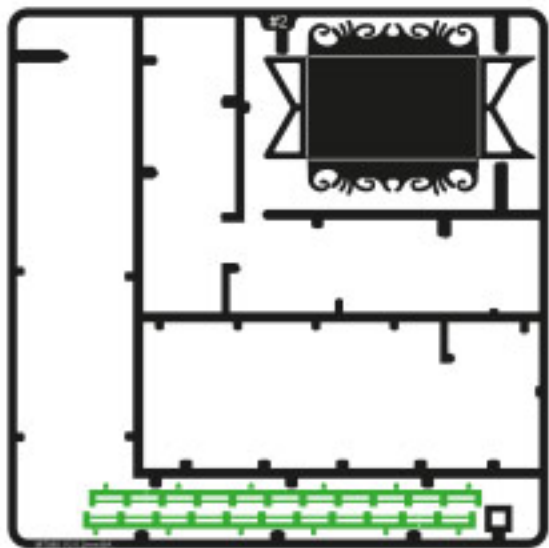


#2

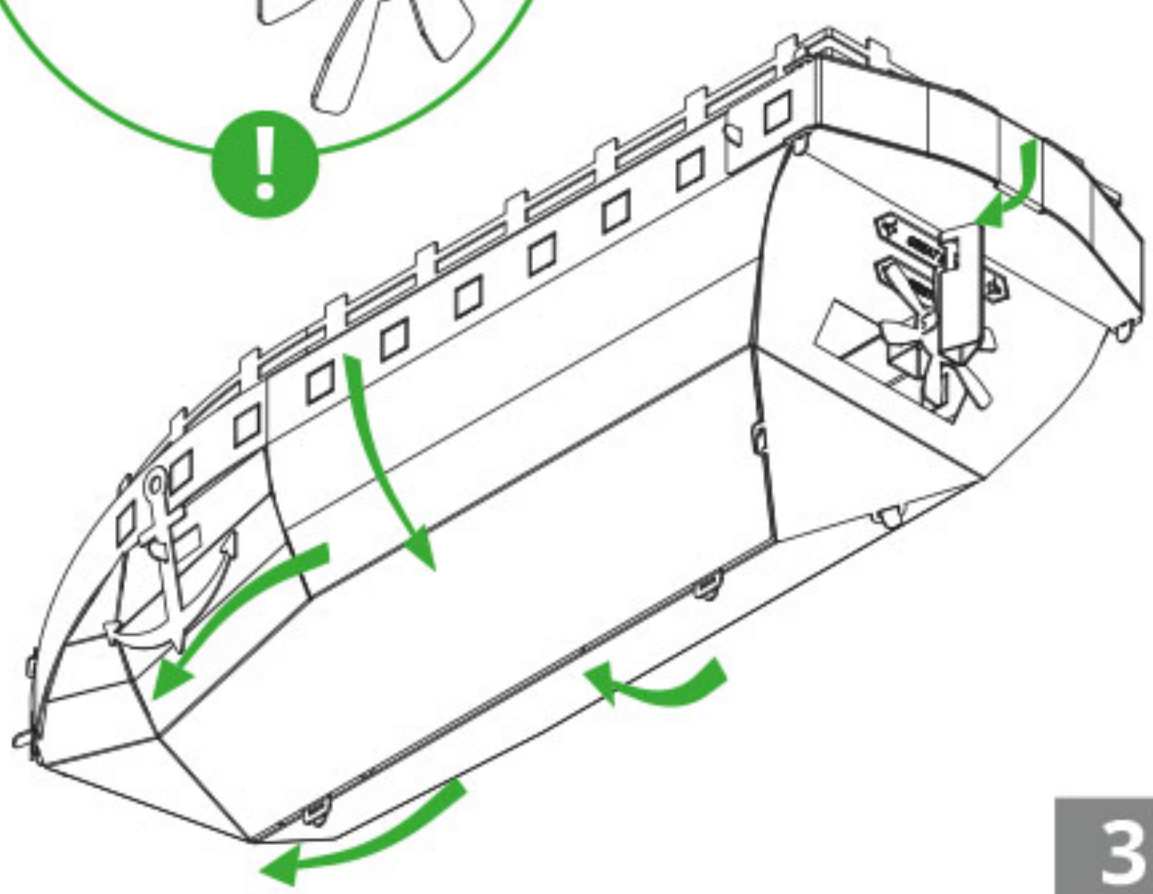
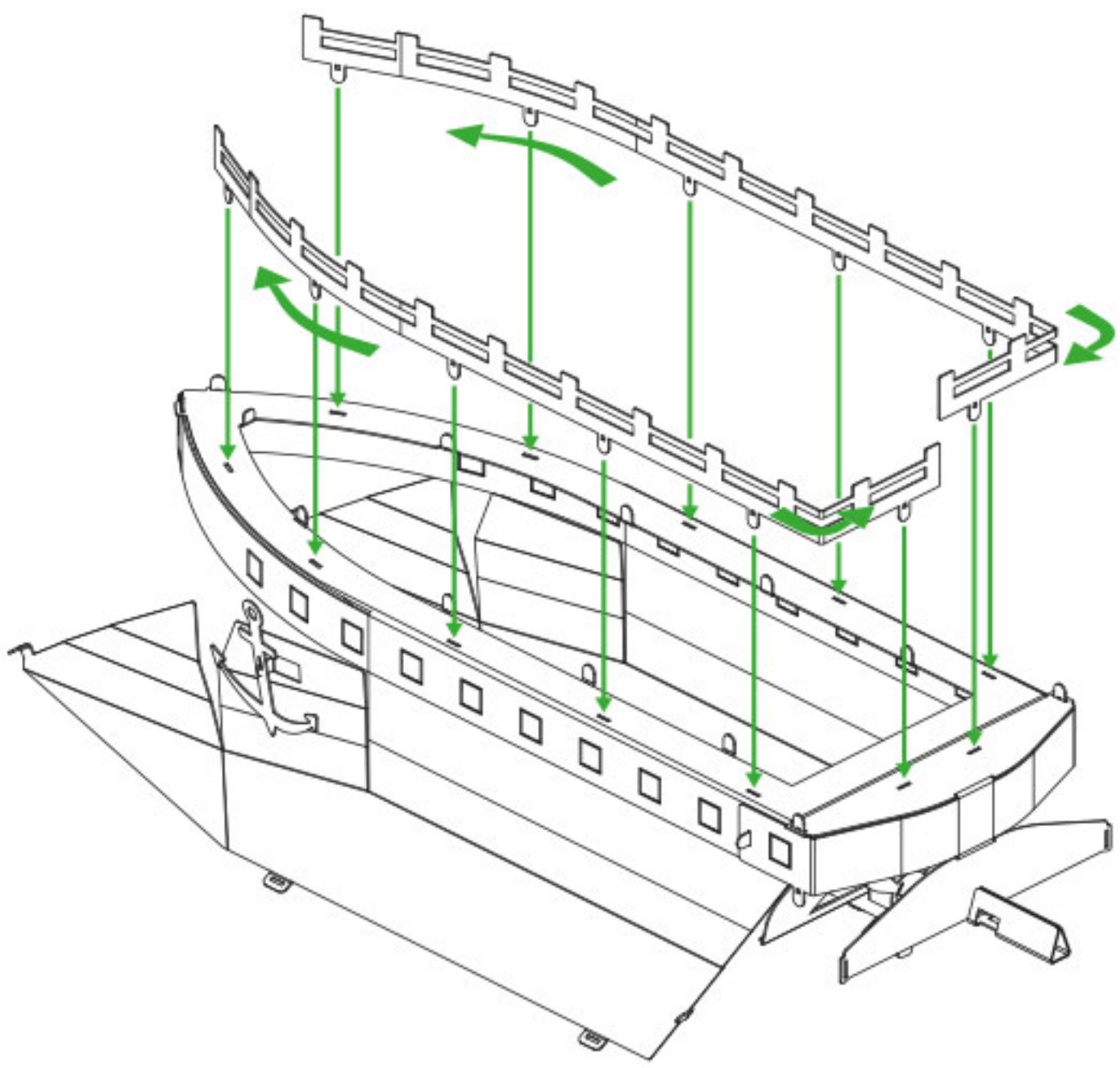
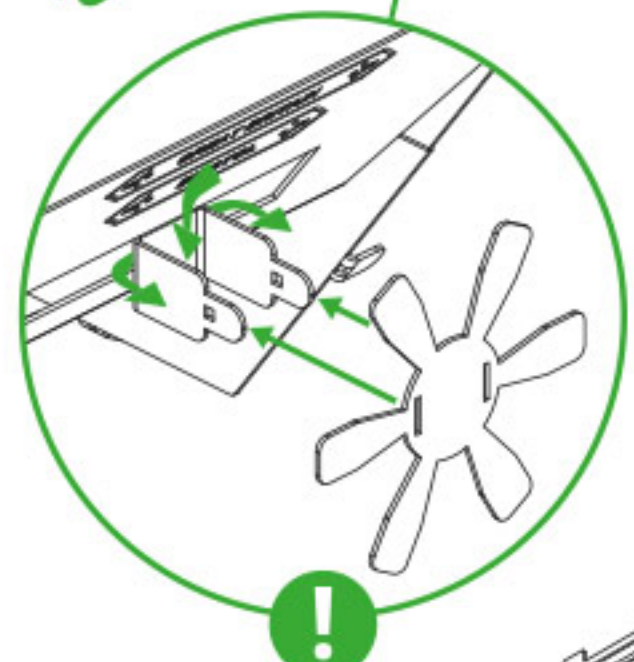
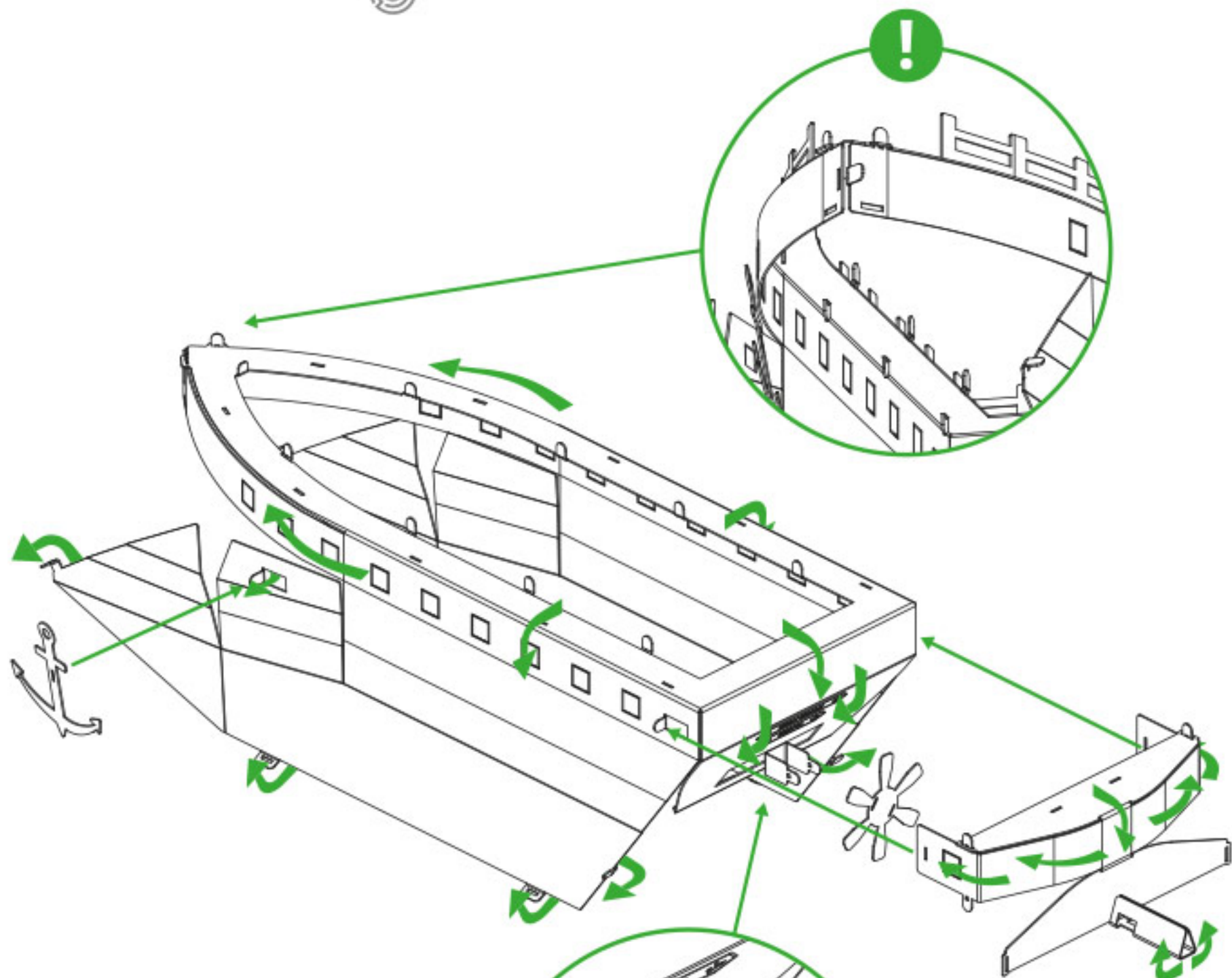


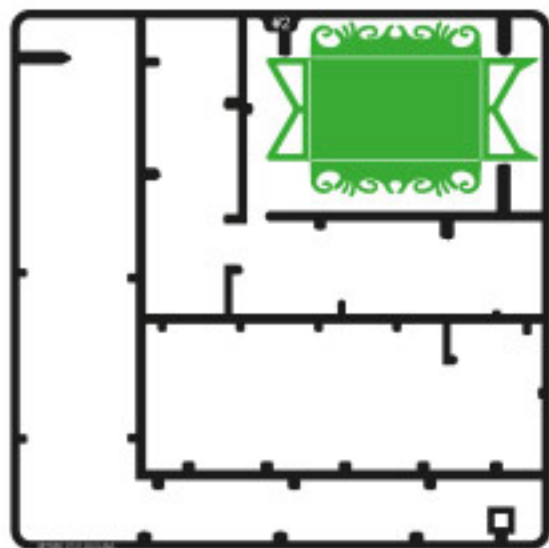


#1



#2





#2

