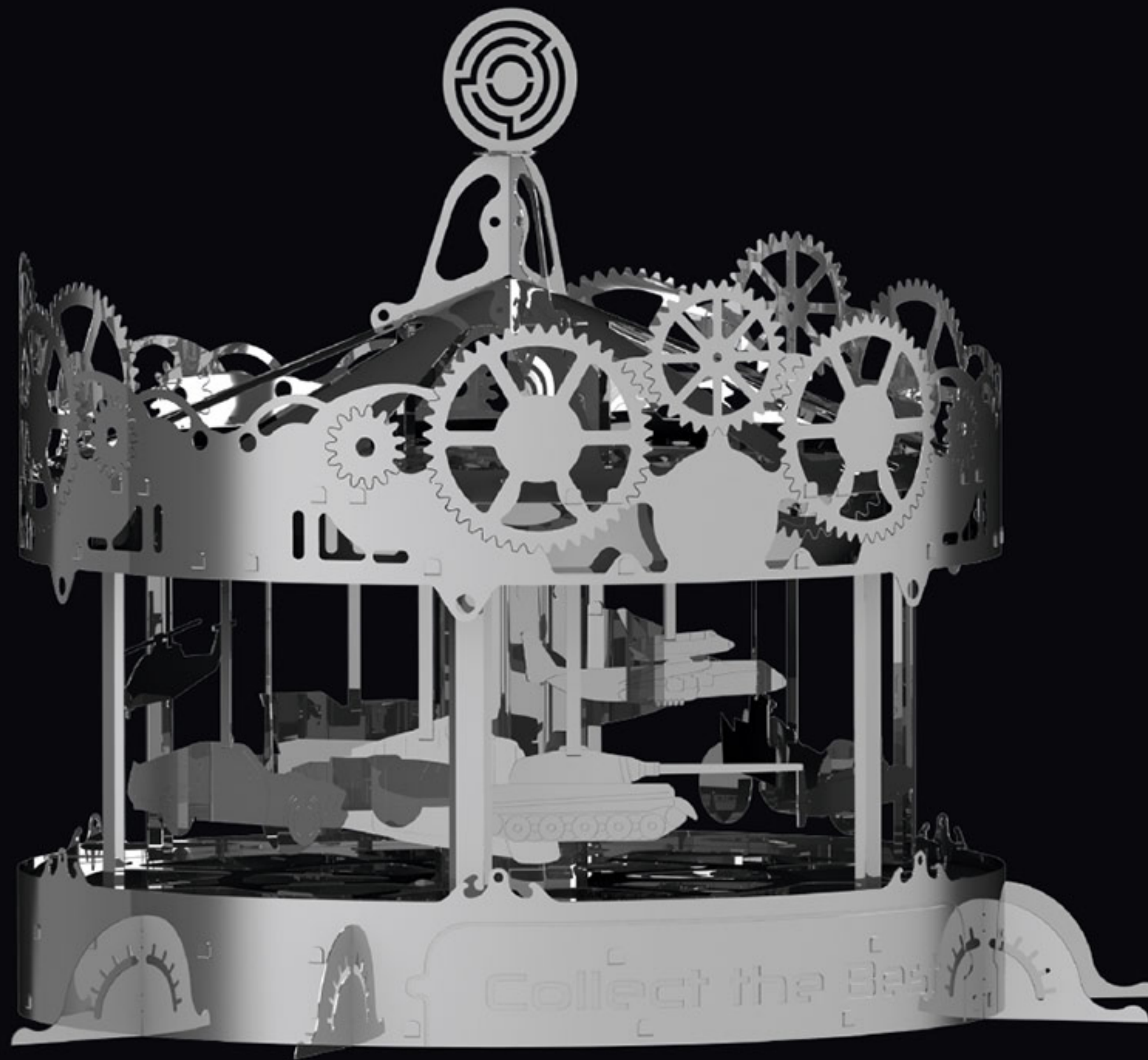




METAL[®]
TIME

RIDING THE BEST

3D Metal Mechanical
Model Building Kit



Assembly instructions
Інструкція зі складання
Instrukcja montażu
Istruzioni di montaggio
Montageanleitung
Instructions de montage
Instrucciones de montaje
Instruções de montagem
Інструкція по сборке
装配说明书
조립 설명서
組立説明書

تعليمات التجميع
הוראות הרכה

Collect the Best

42 PIECES

5 hours

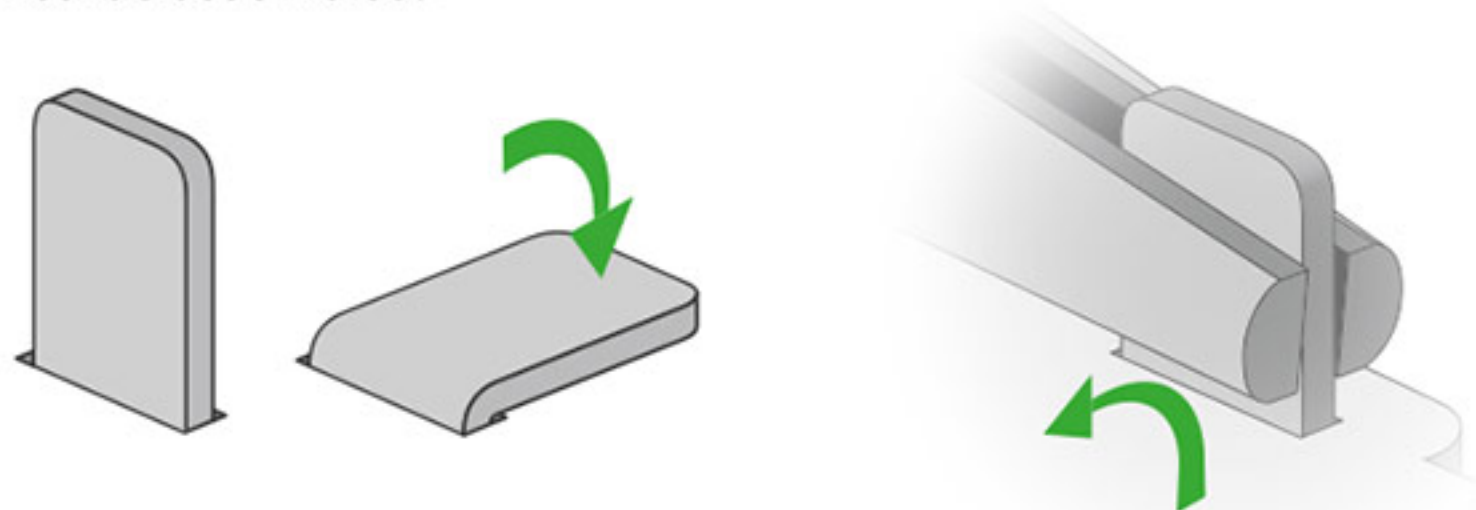
Stainless steel / Metal Craft
Fully rotating

AGES
14+

STANDARD FIXING OF FASTENERS AND SYMBOLS

WARNING! Please read these instructions carefully before assembly and use.

When assembling the model, don't rush, avoid pointing details at yours or anyone else's face. If one of the parts has a sharp edge, please file it down. Use pliers and additional tools to assemble the model. Each kit contains a cloth for wiping and polishing the model once it's assembled.

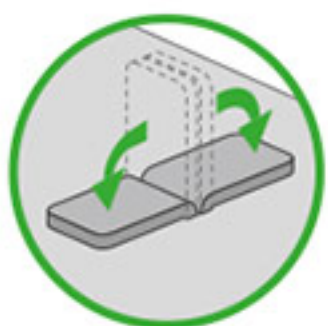


If there are no additional designations, use the standard fixing method

Use pliers to bend the fasteners



Twist the eyelet 45°



Bend the ears 90°



If the part has a sharp edge, file it

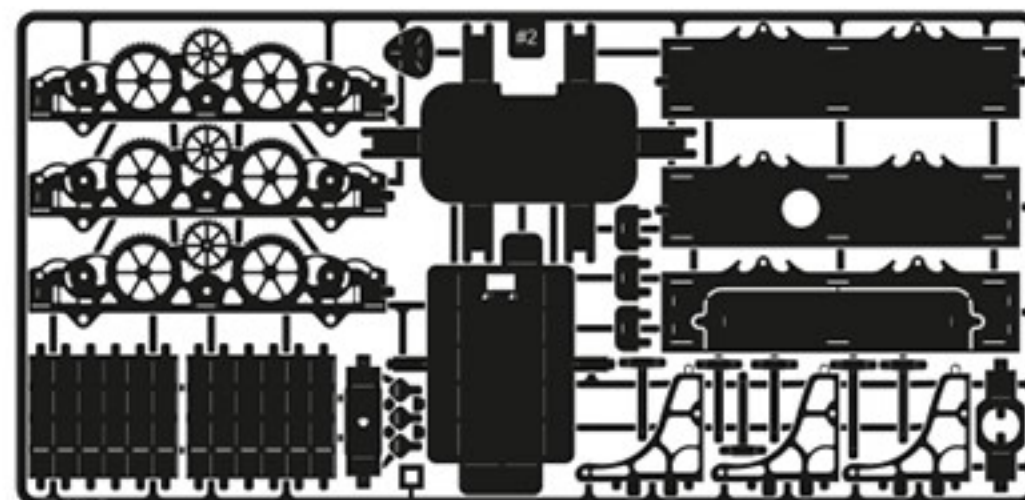
WARNING! Product contains small parts and sharp parts. Not suitable for children under 3 years of age.

WARNING! To avoid a short circuit, the contact points must not touch the product body

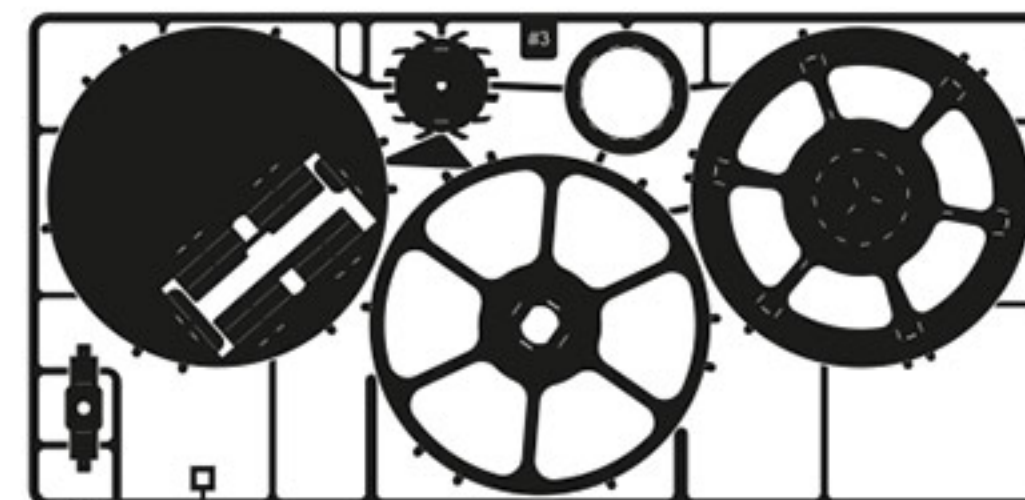
MODEL PARTS AND ASSEMBLY TOOLS



#1



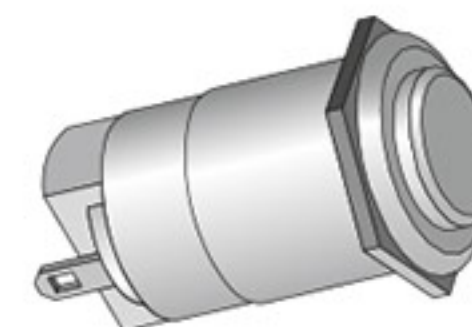
#2



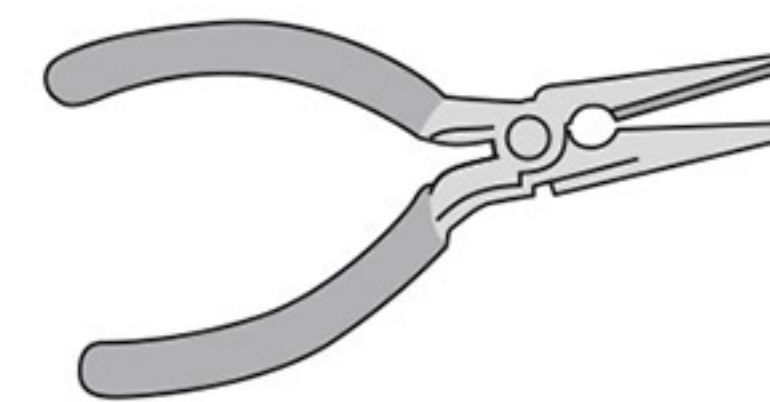
#3



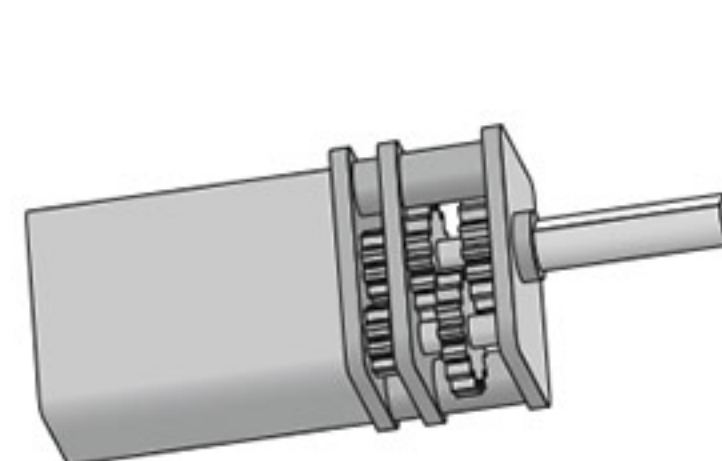
50 mm



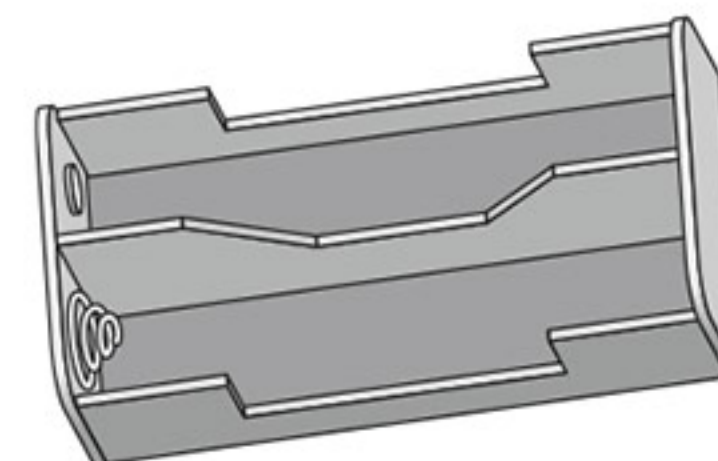
Button



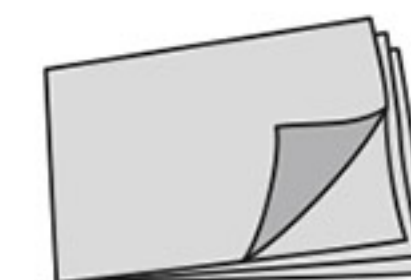
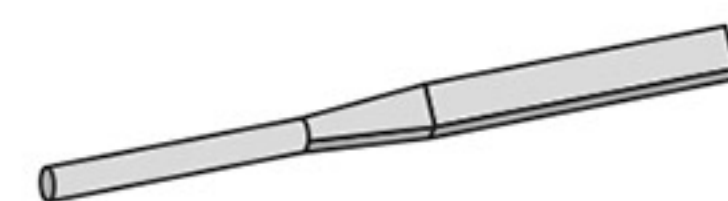
50 mm



Engine



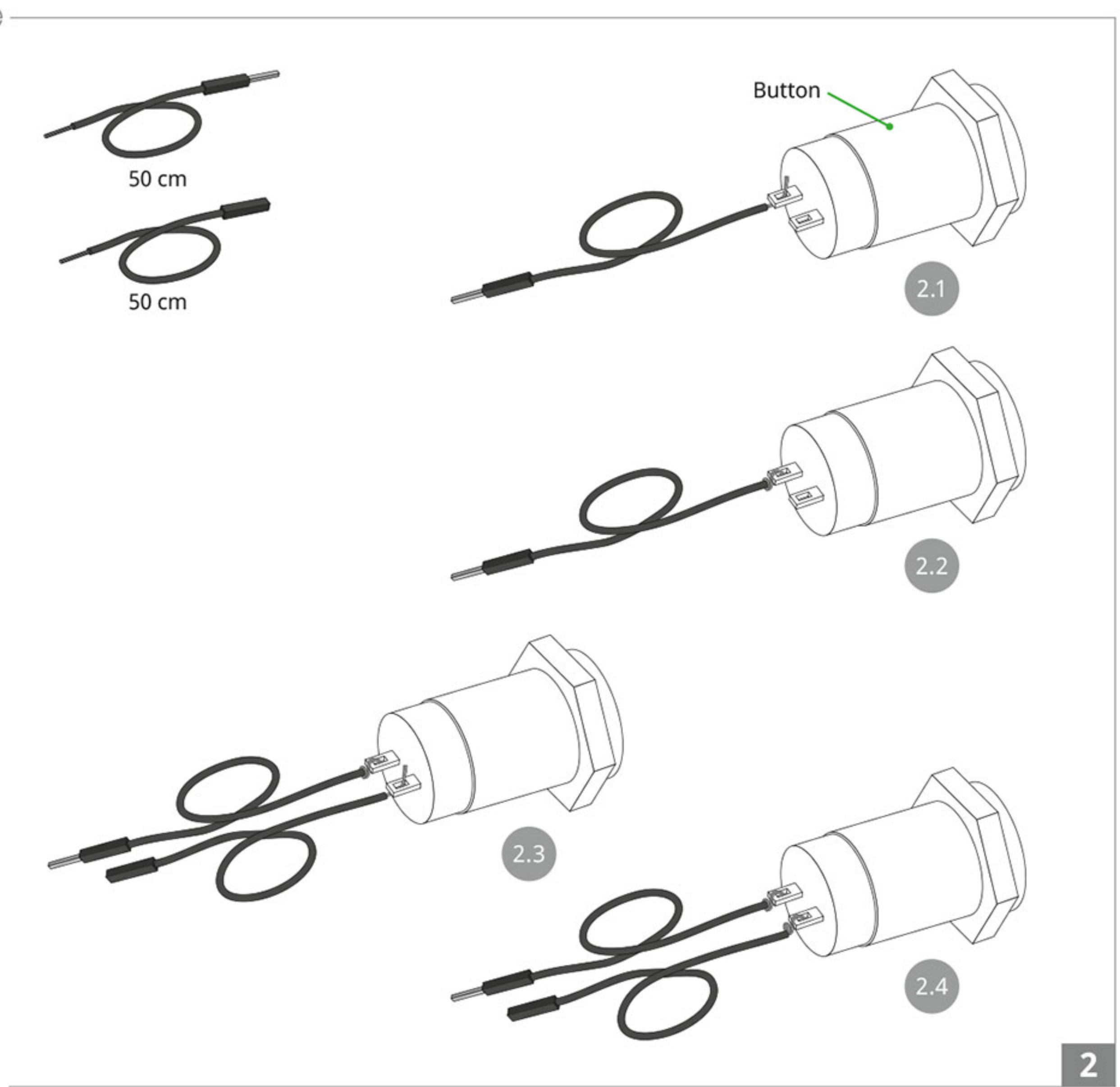
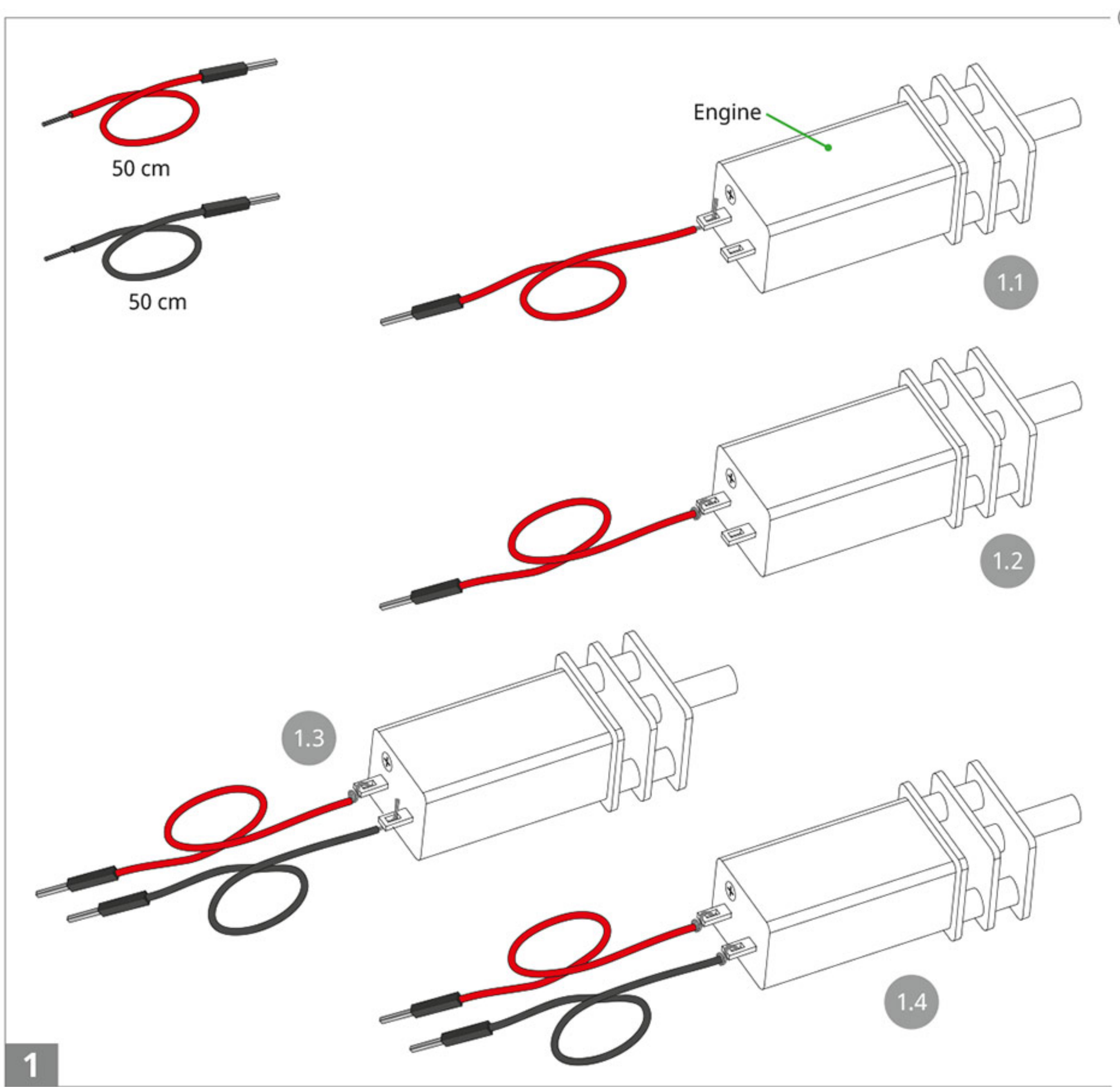
Battery holder

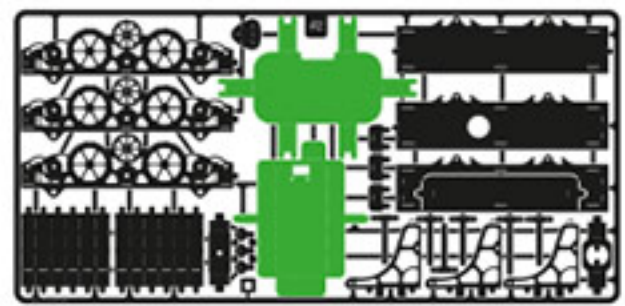


Tools

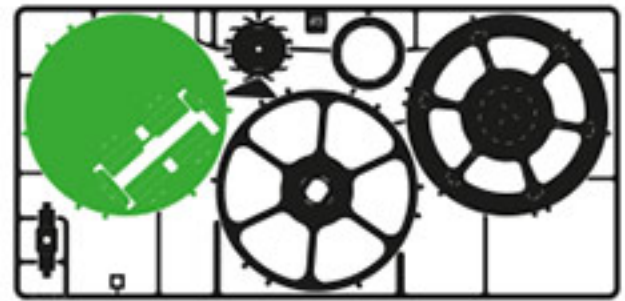


50 mm

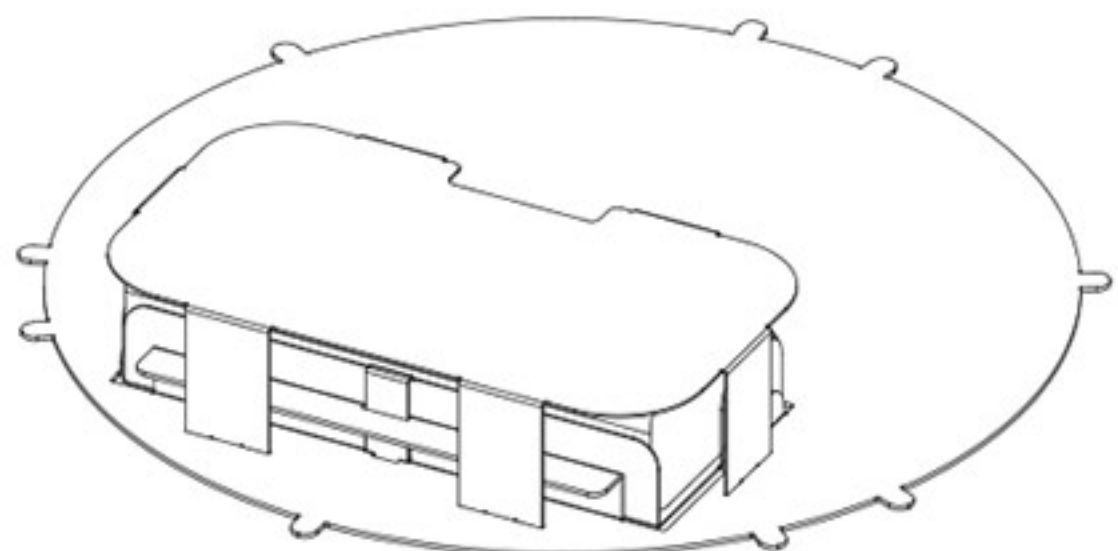
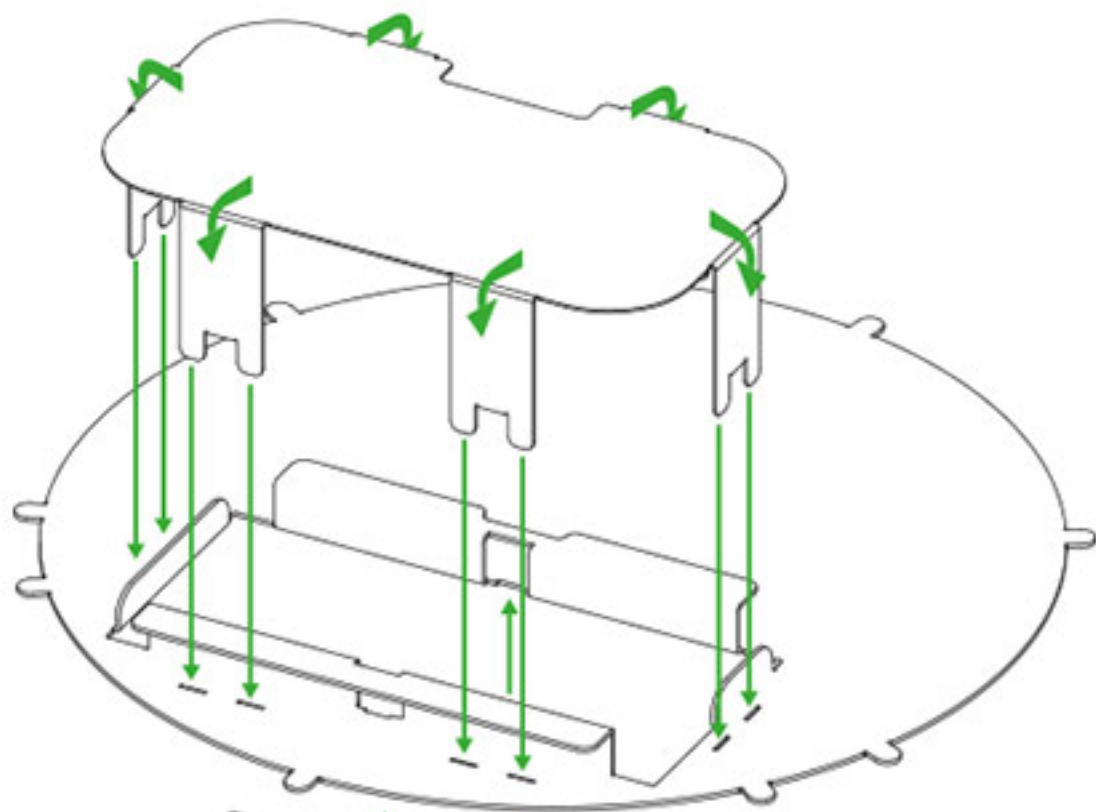
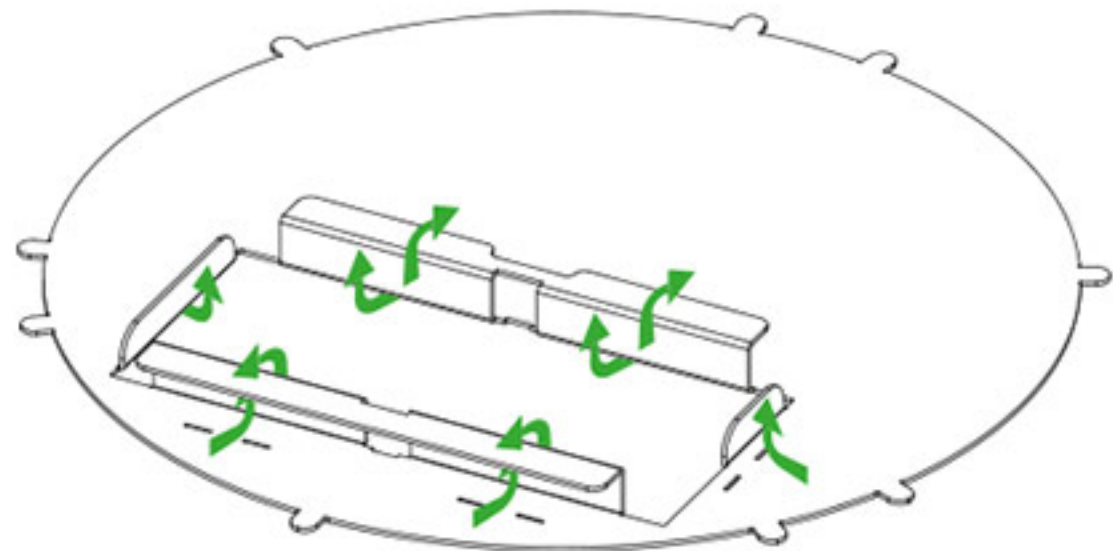




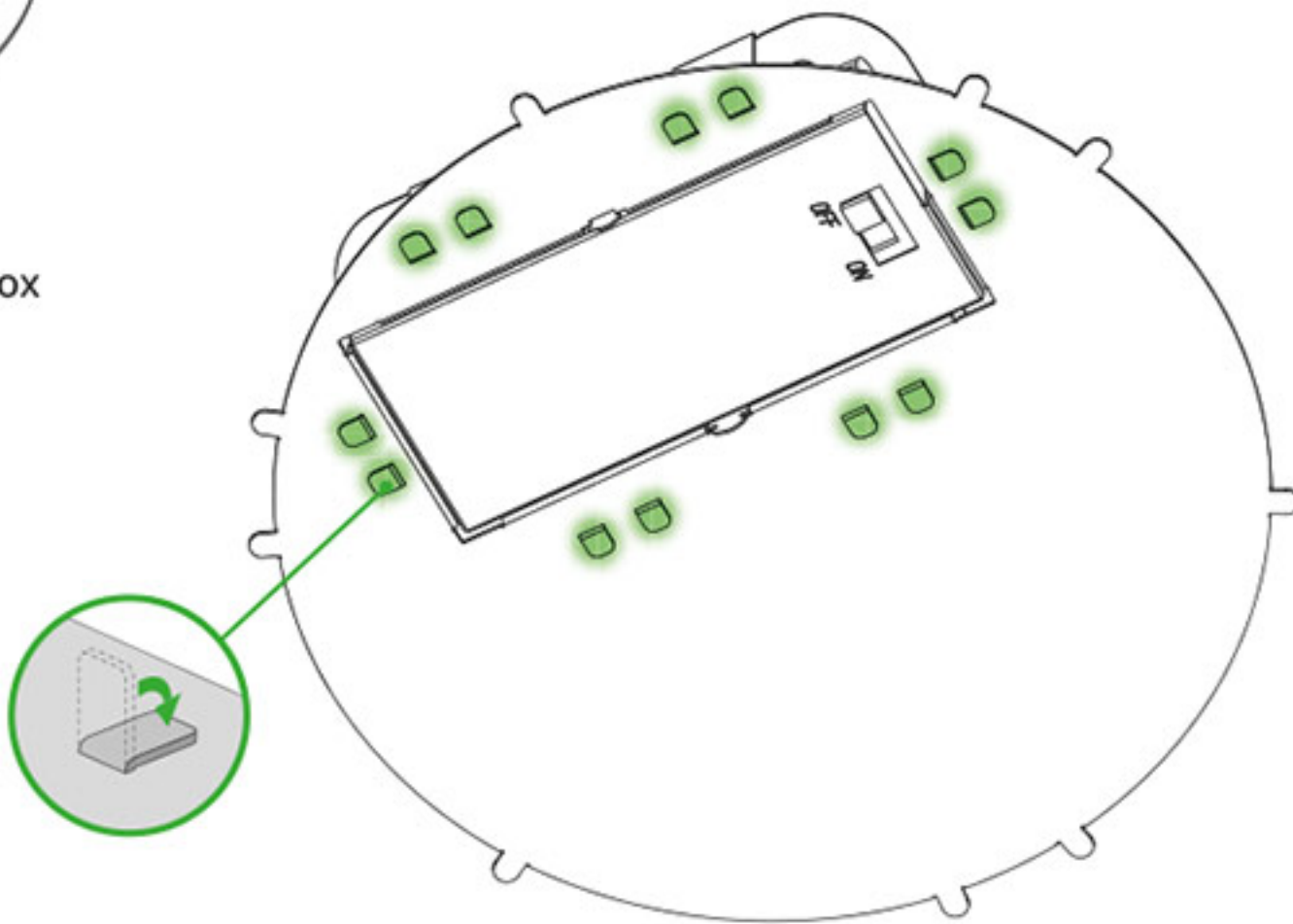
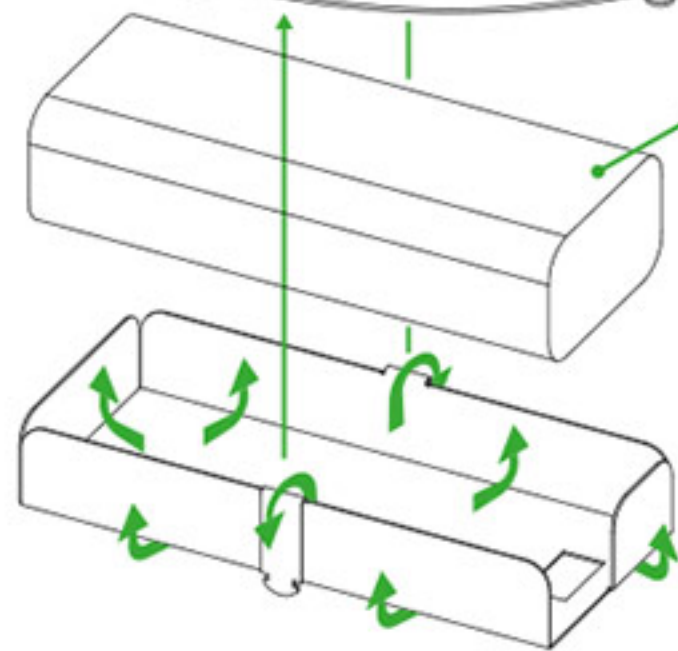
#2



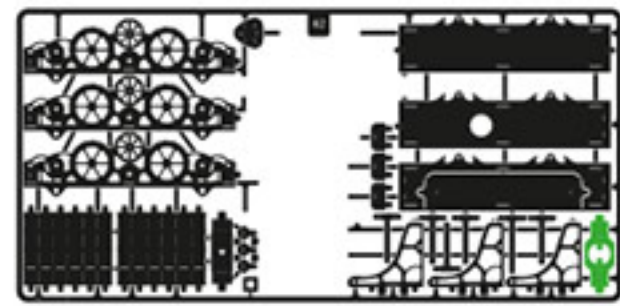
#3



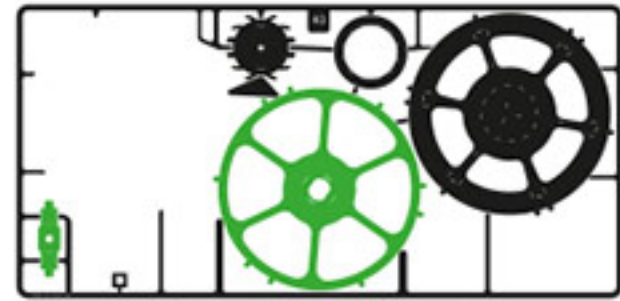
Battery box



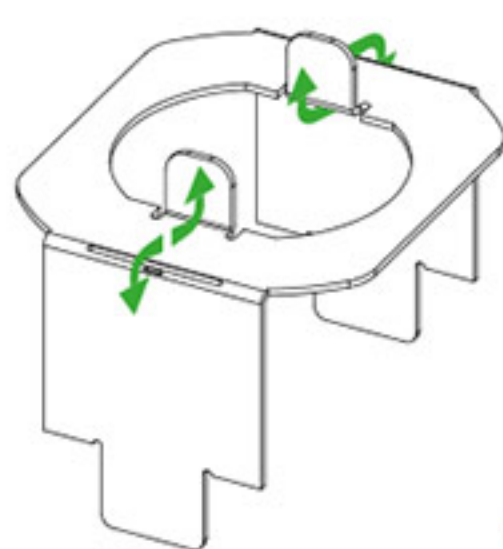
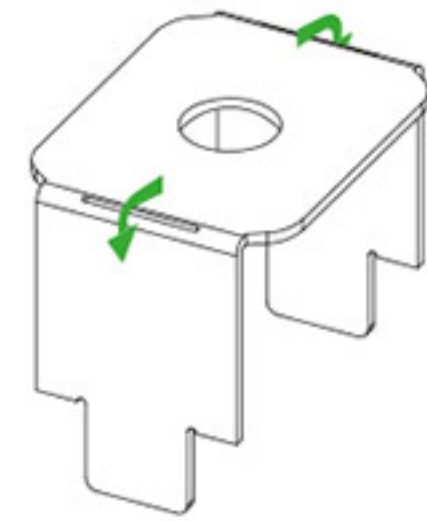
3



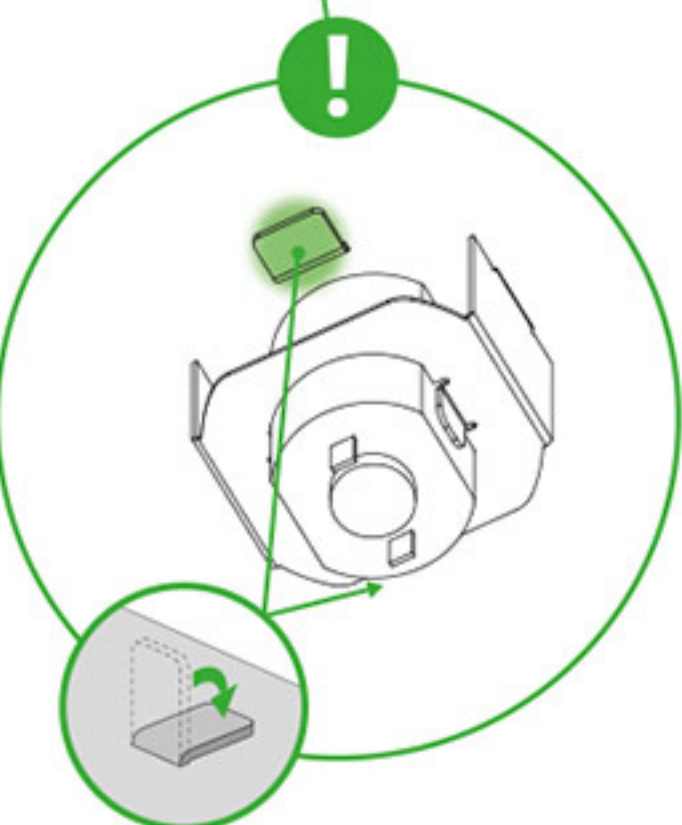
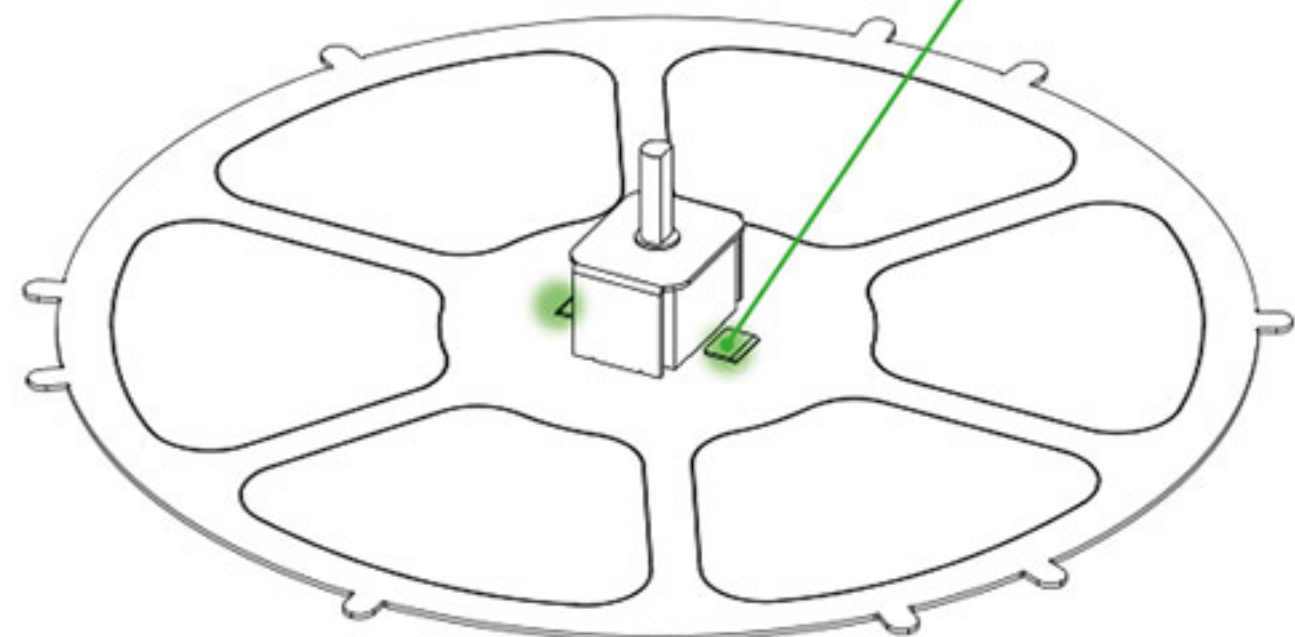
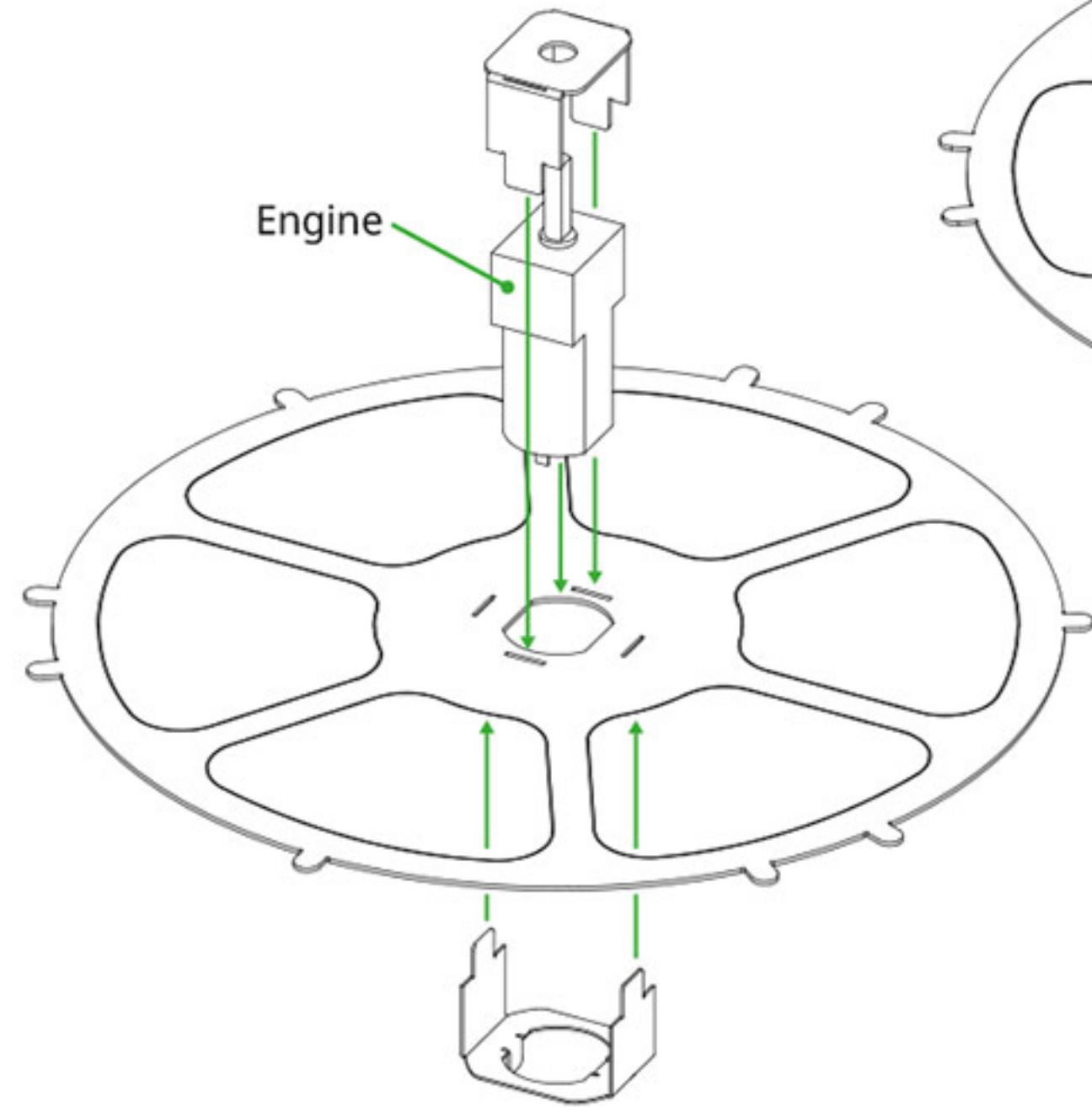
#2



#3



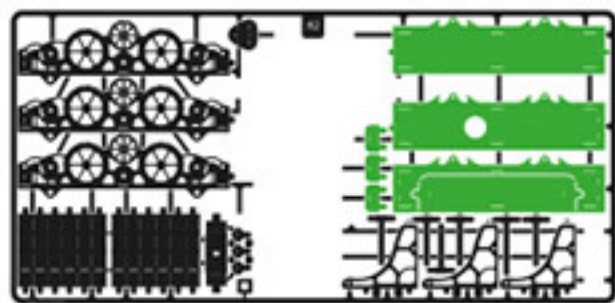
Engine



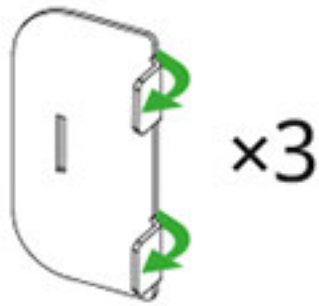
4



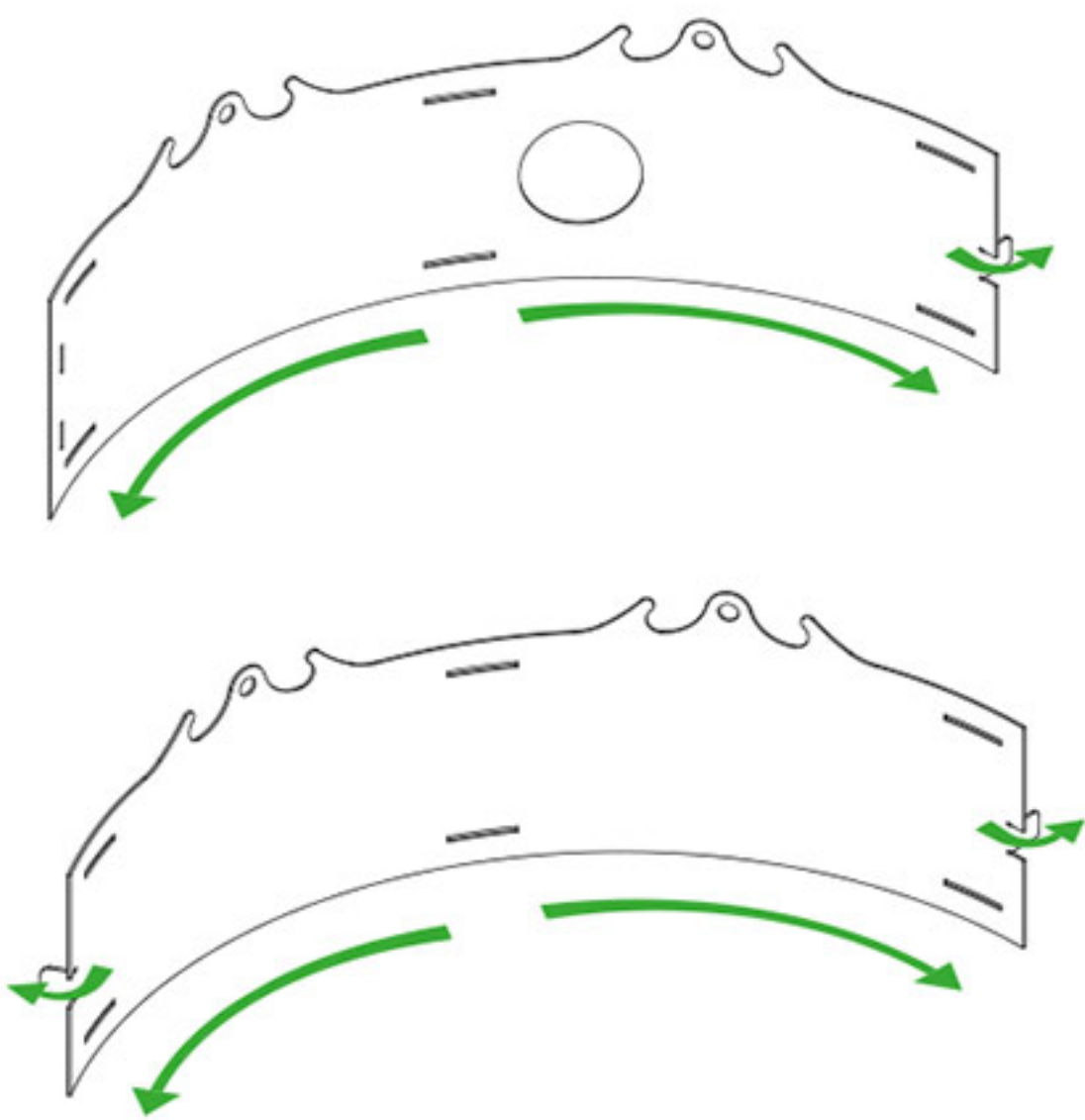
#1



#2

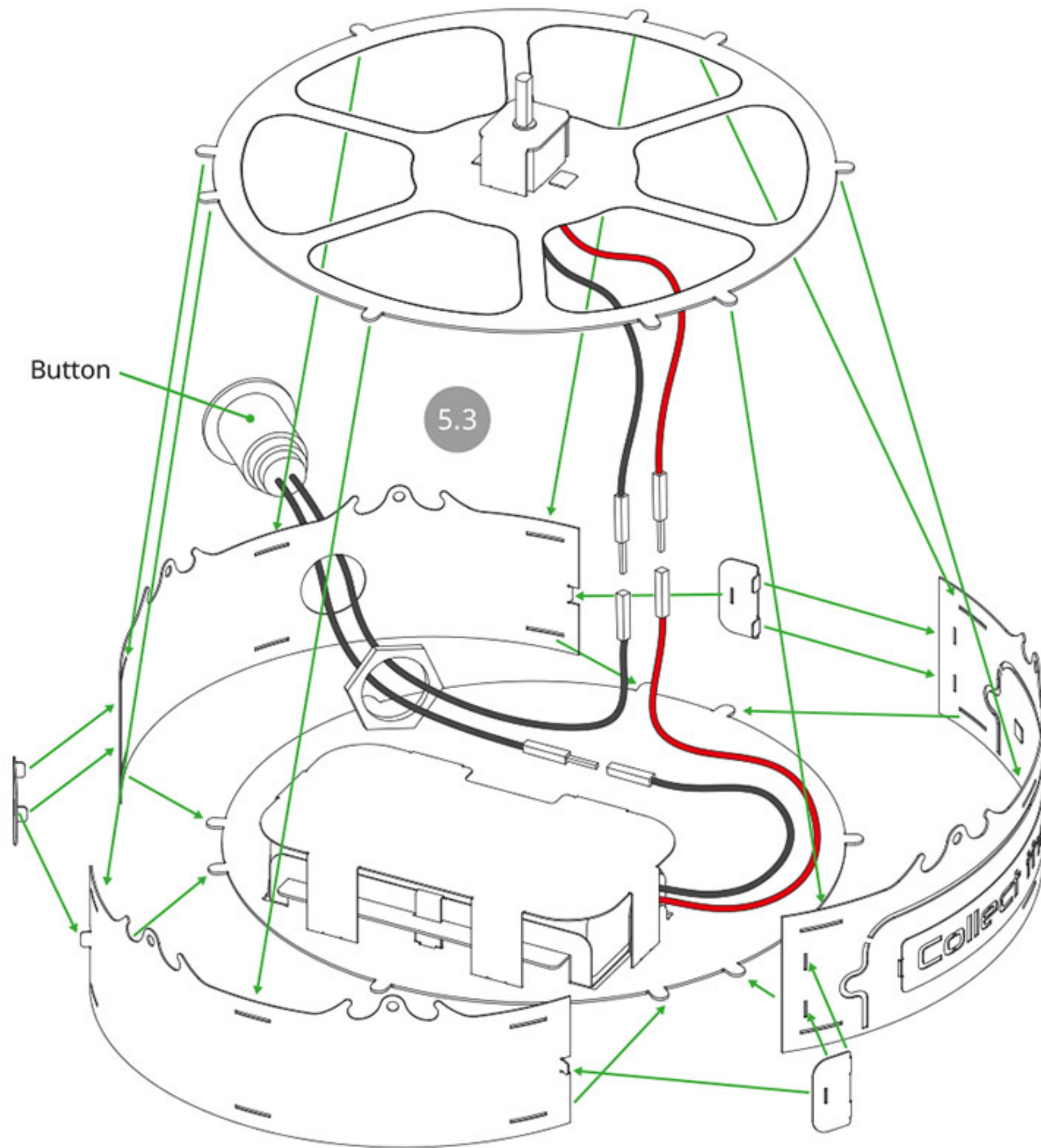


x3

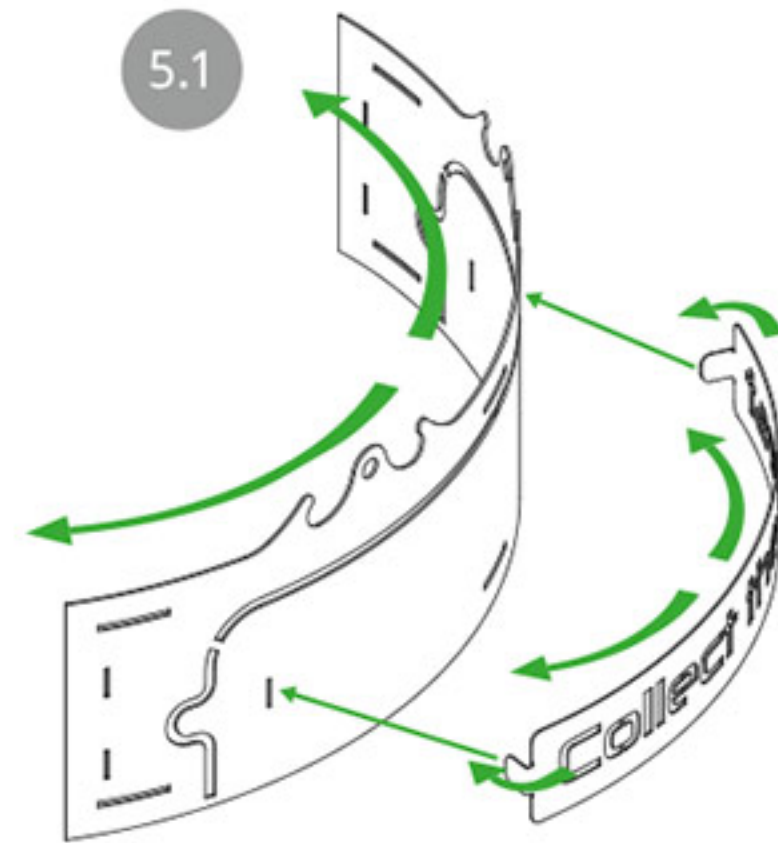


Button

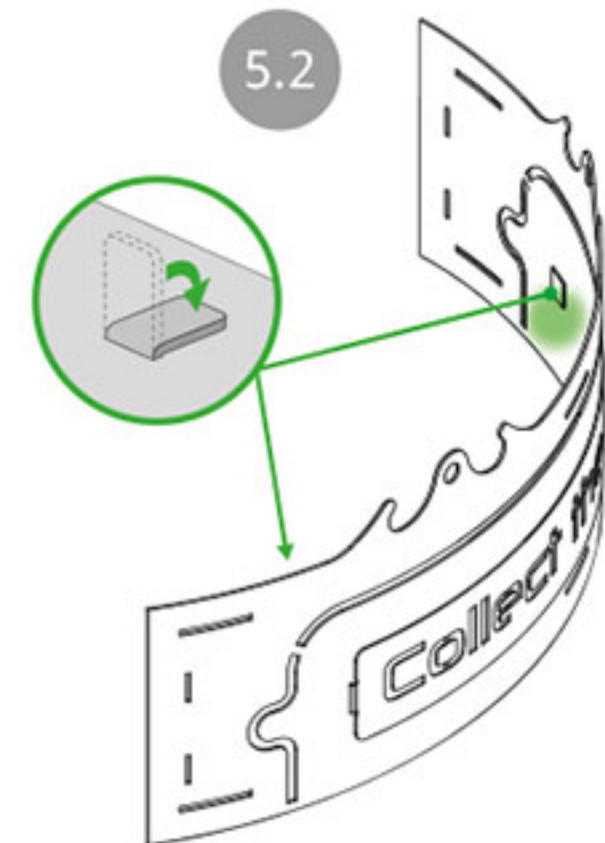
5.3



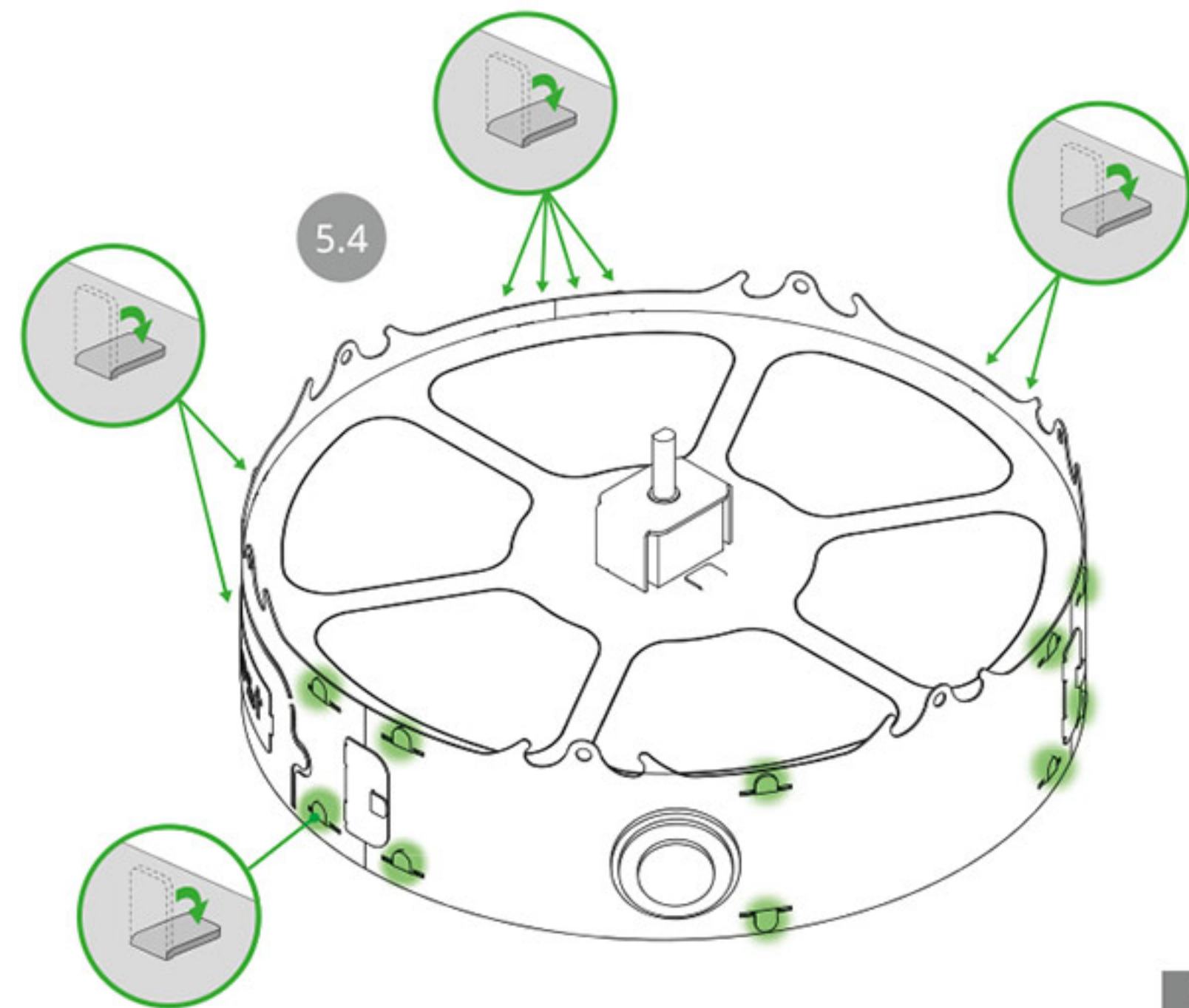
5.1



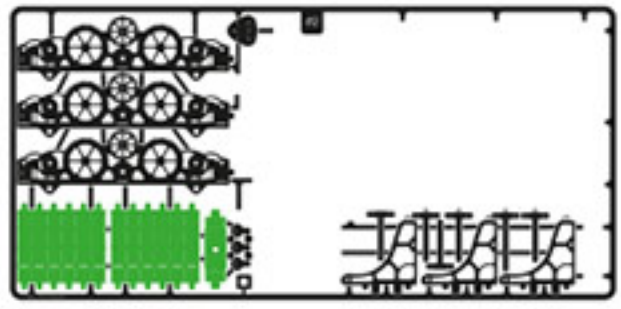
5.2



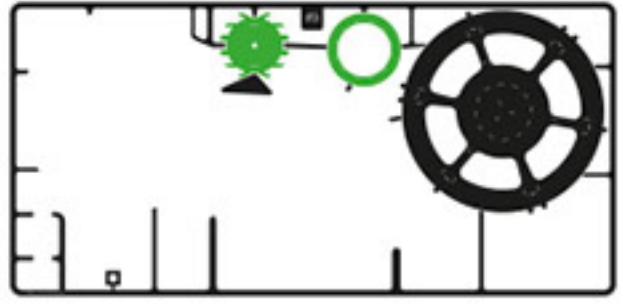
5.4



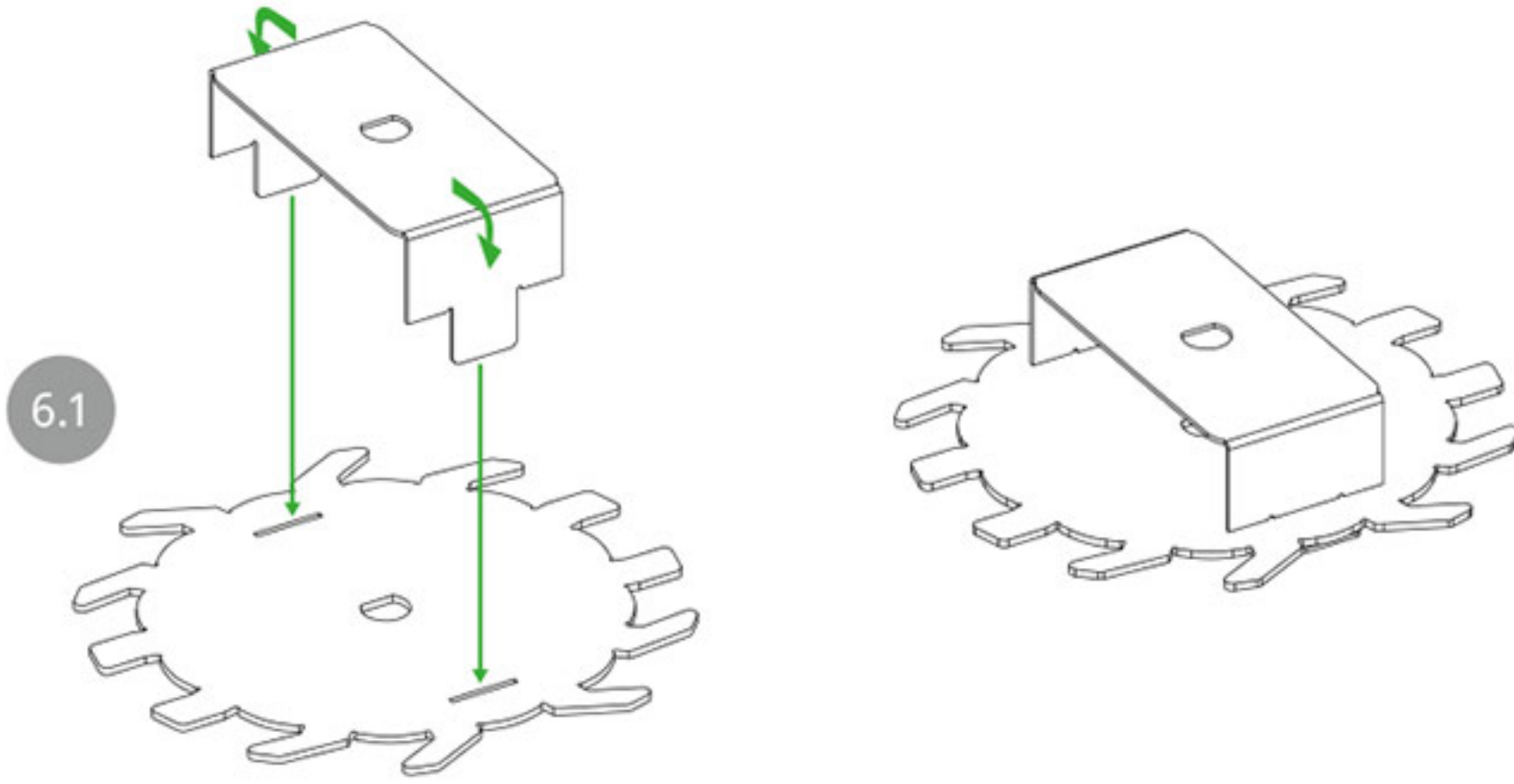
Before assembly, remove the nut from the button by unscrewing it, insert the button into the body, fix the button with nut



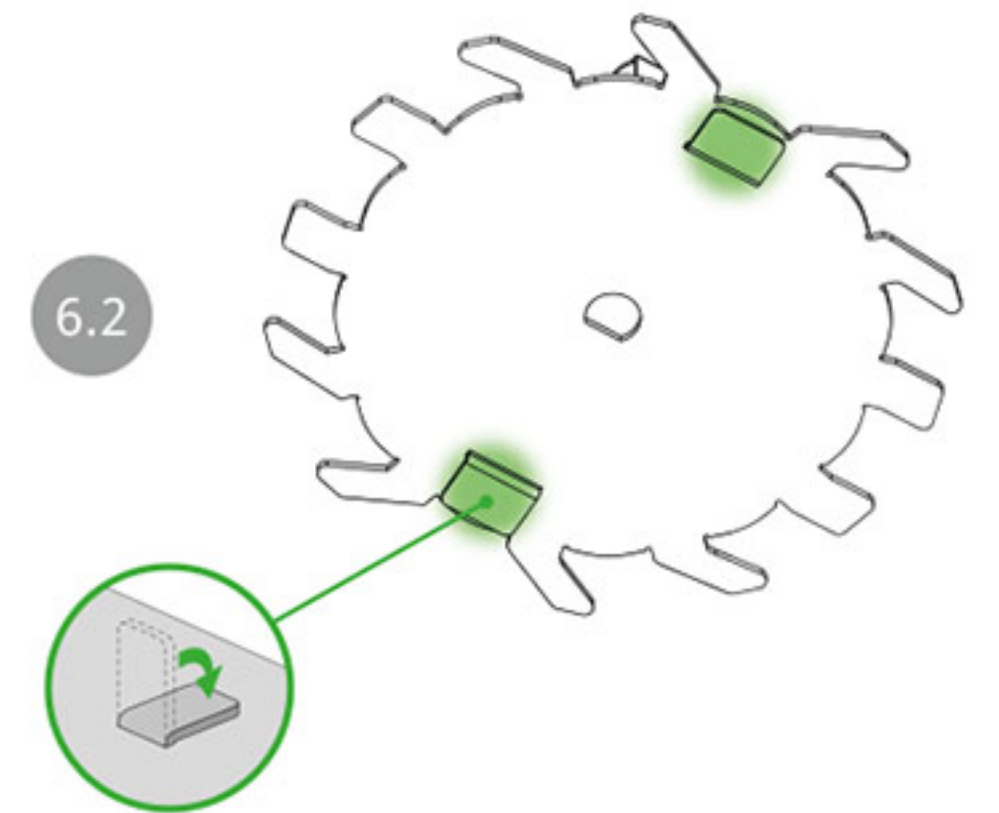
#2



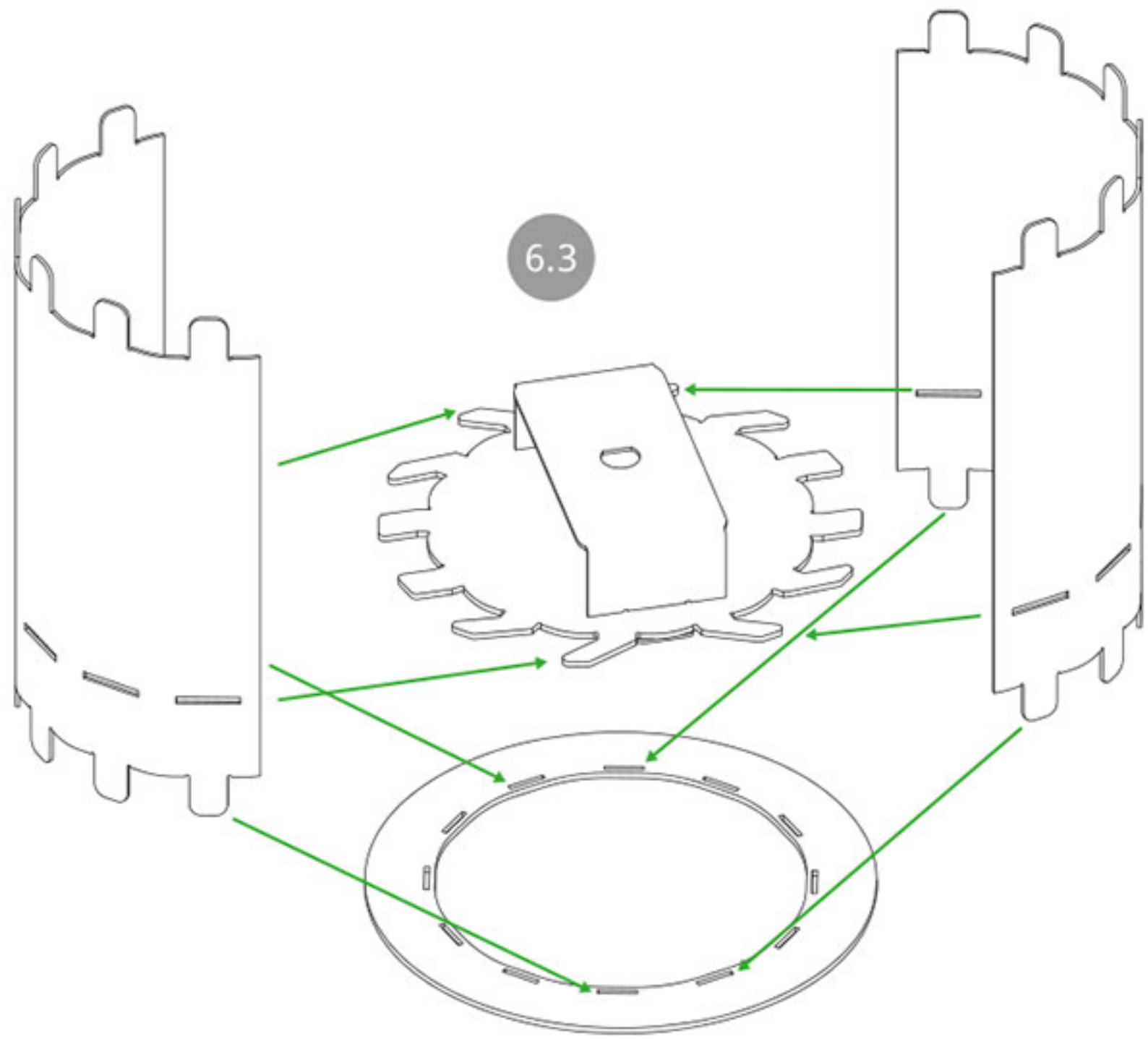
#3



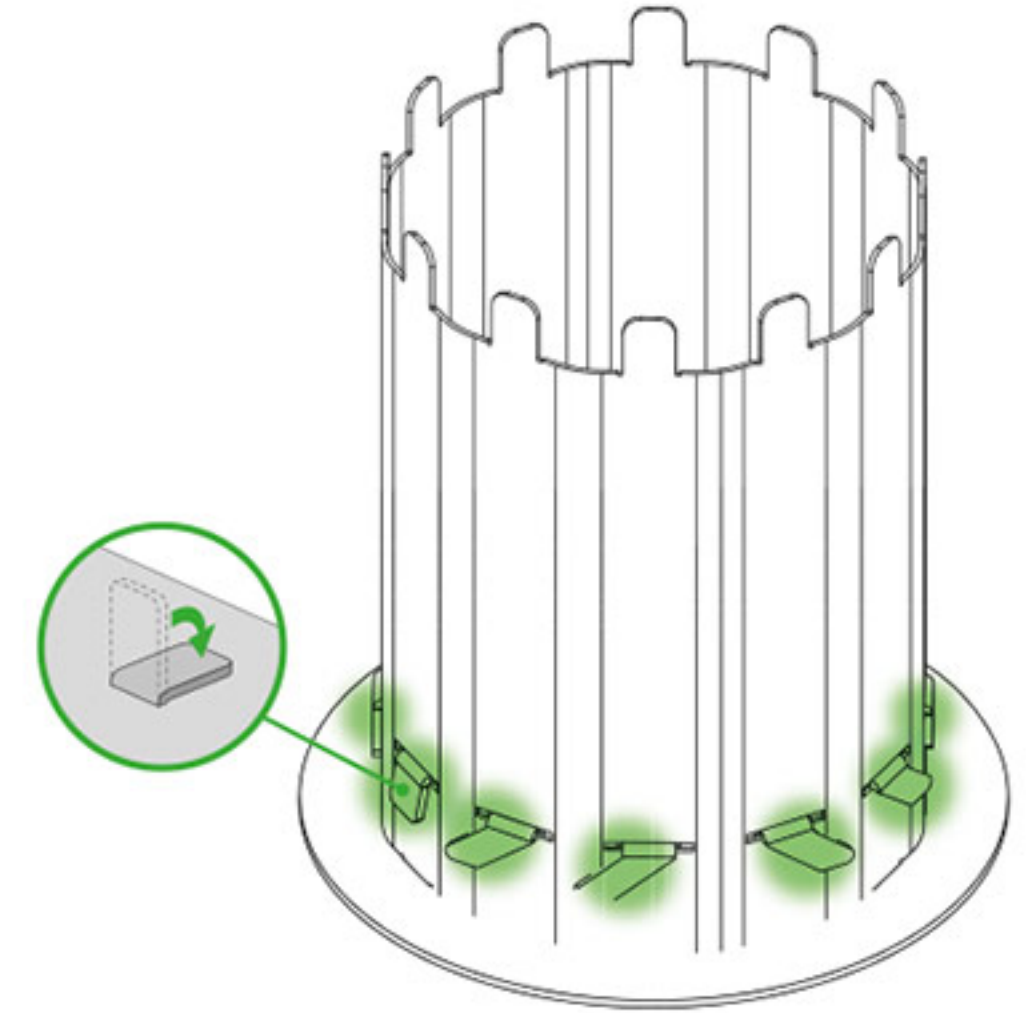
6.1



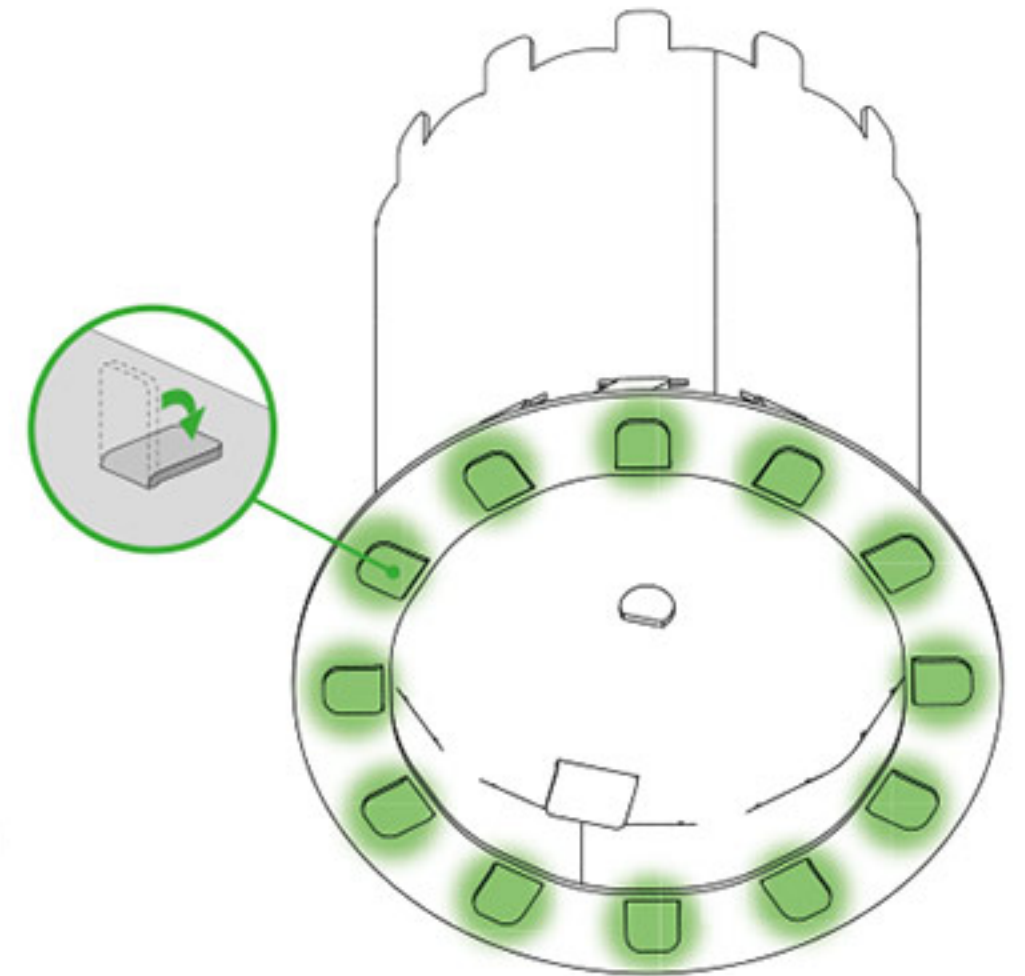
6.2

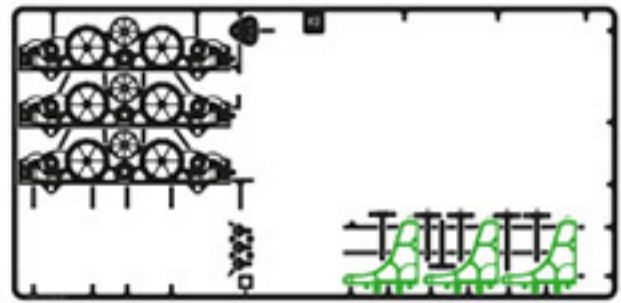


6.3

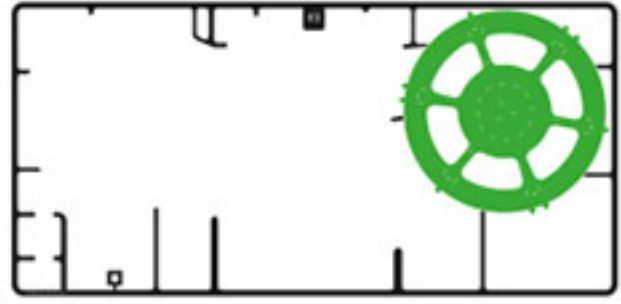


6.4

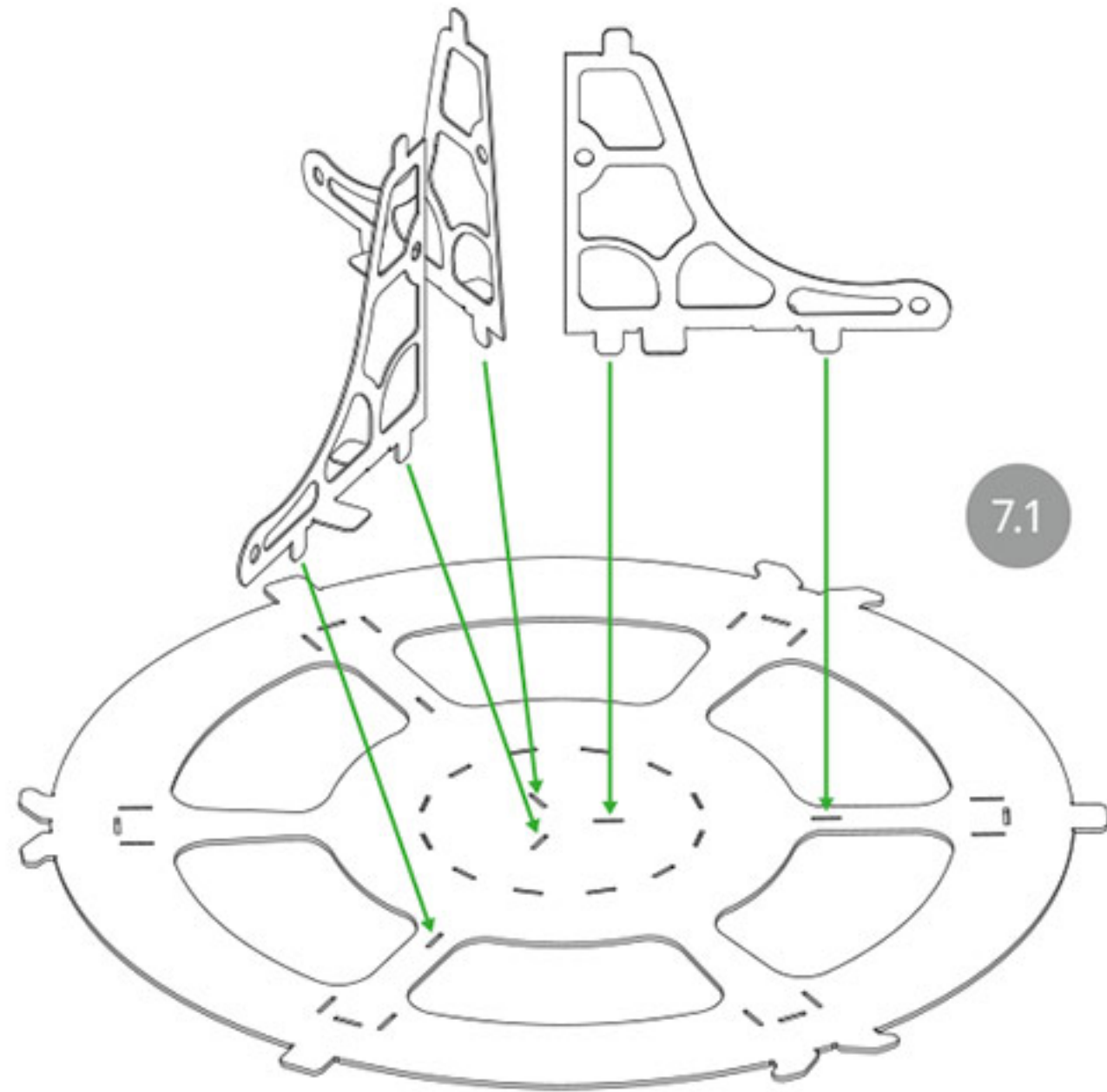




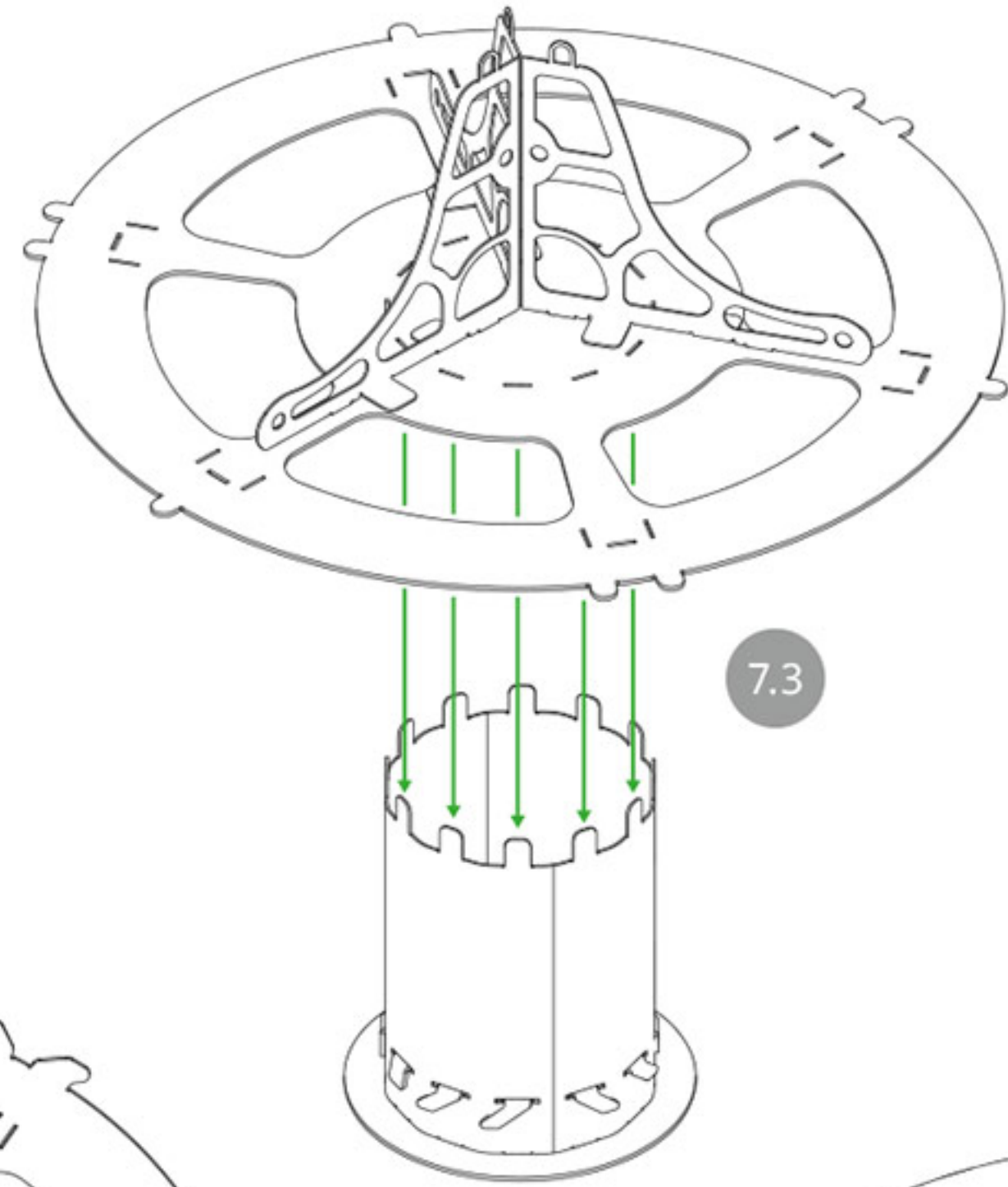
#2



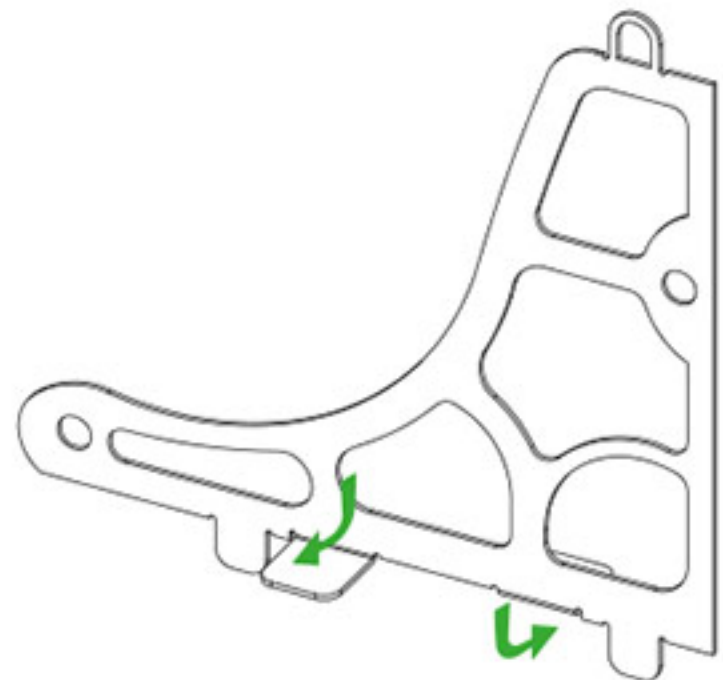
#3



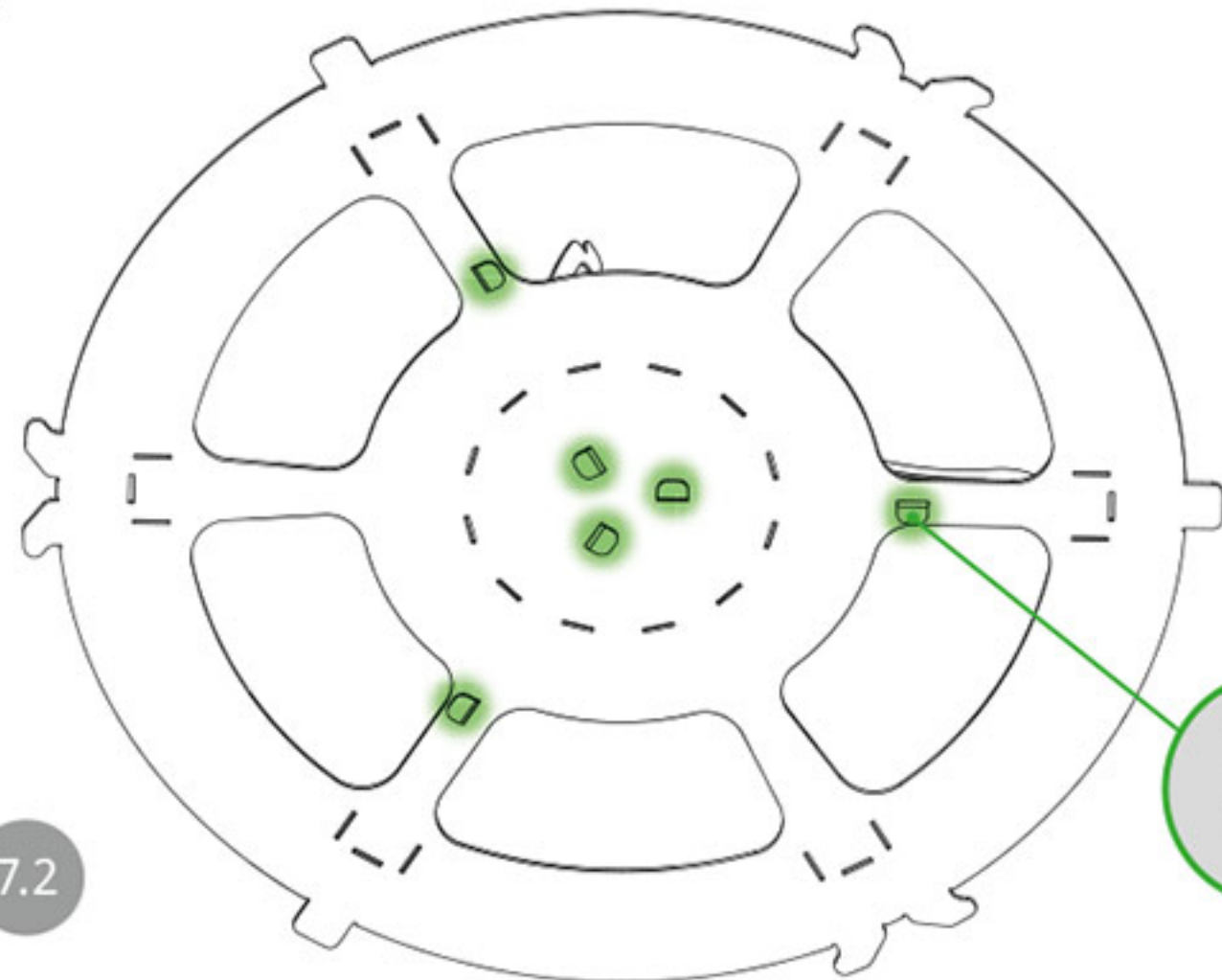
7.1



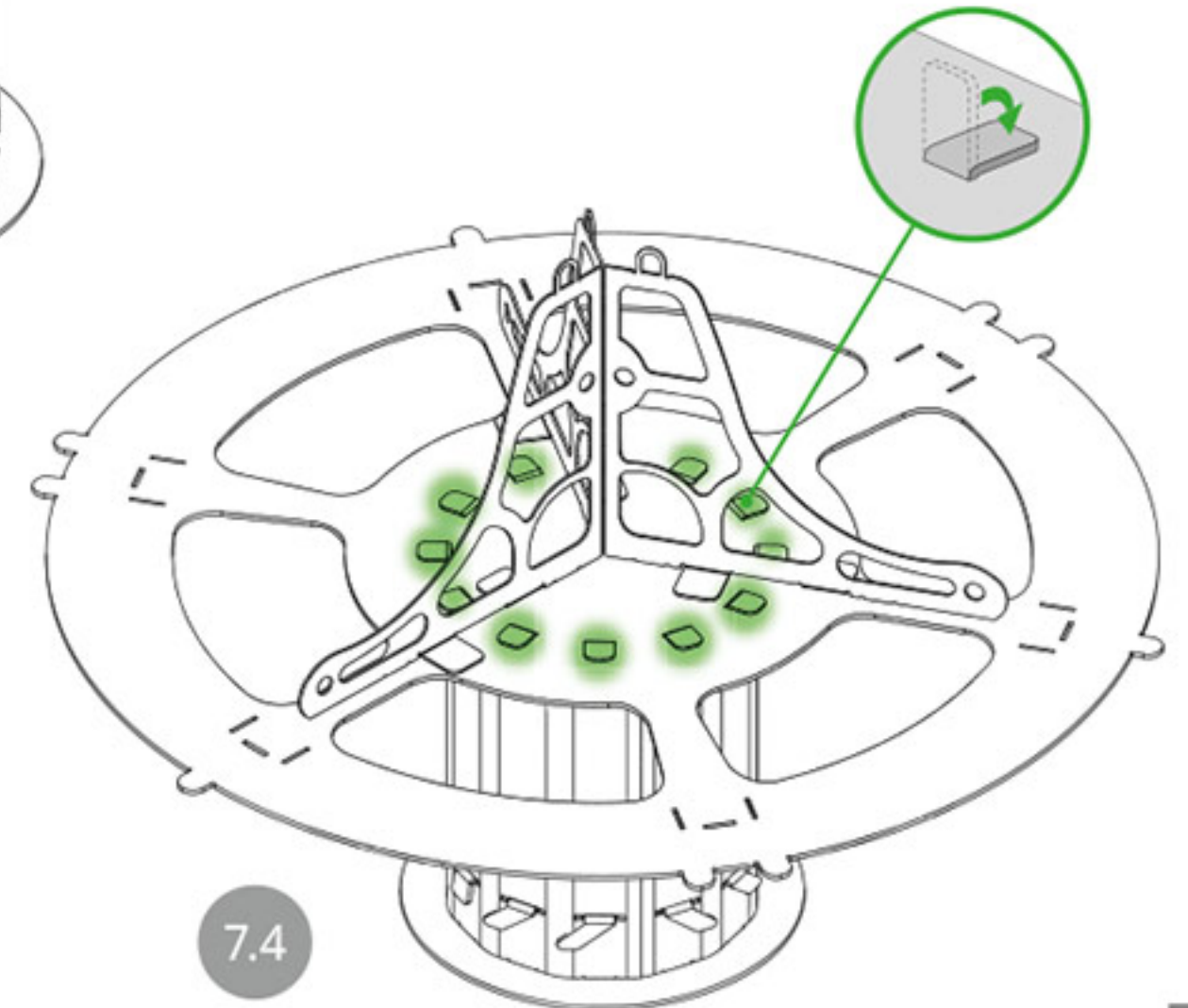
7.3



x3



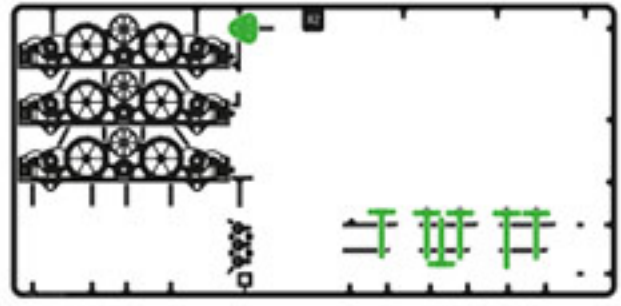
7.2



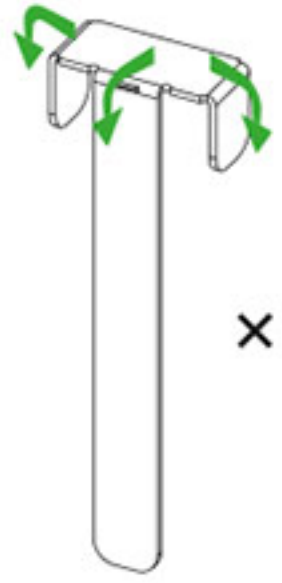
7.4



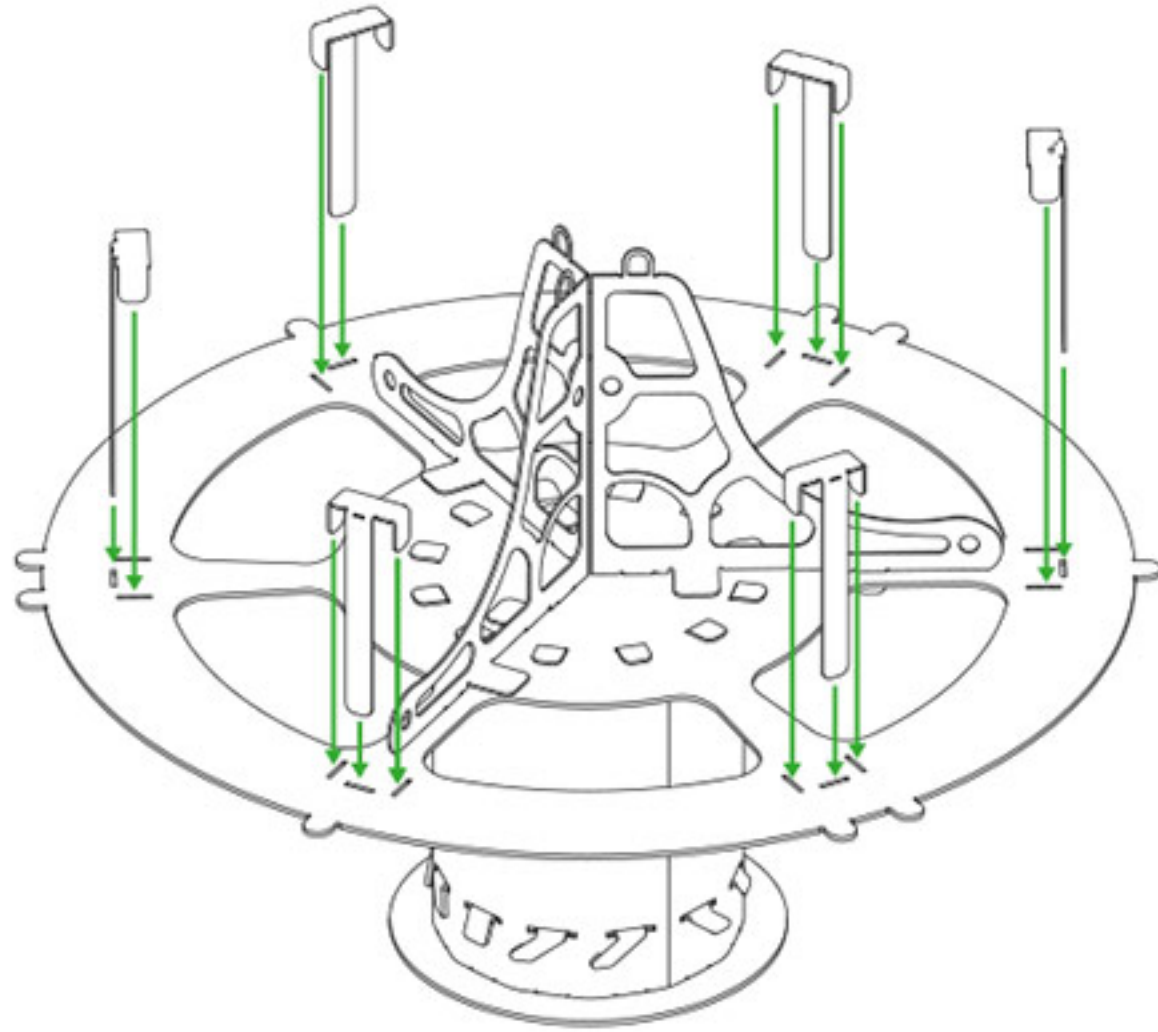
#1



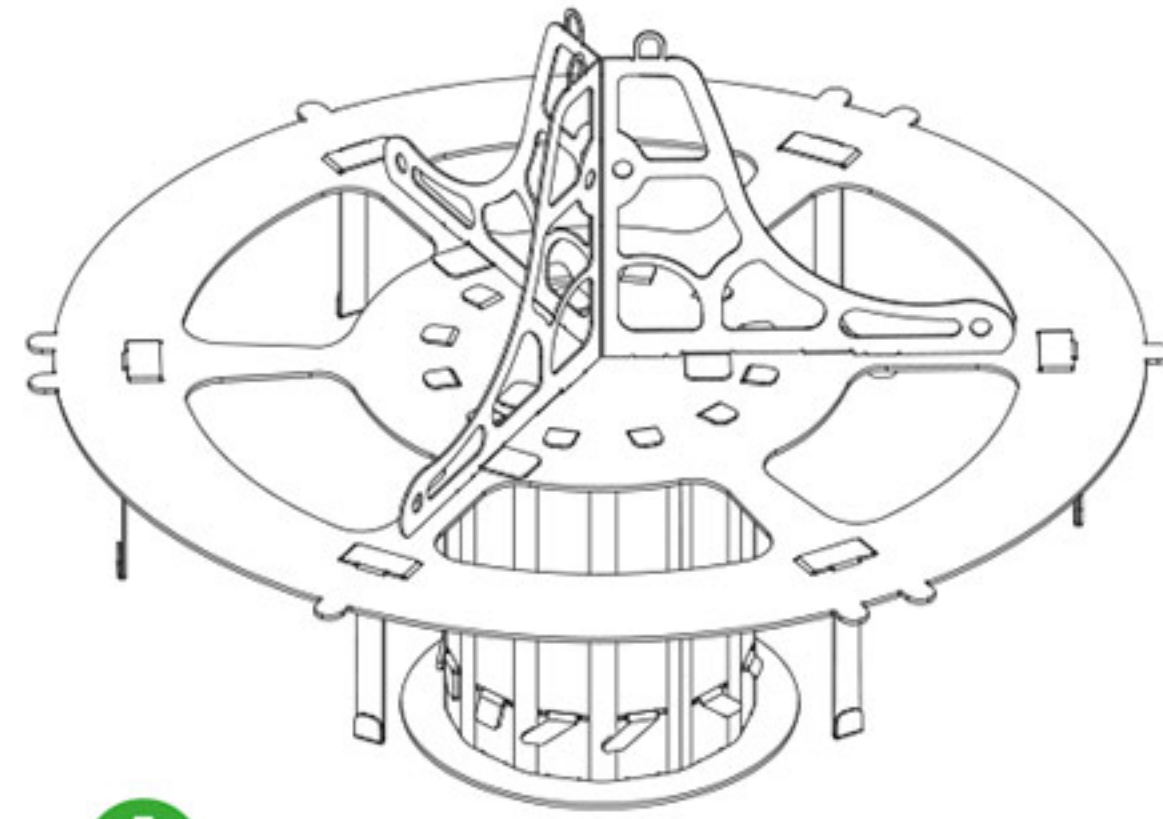
#2



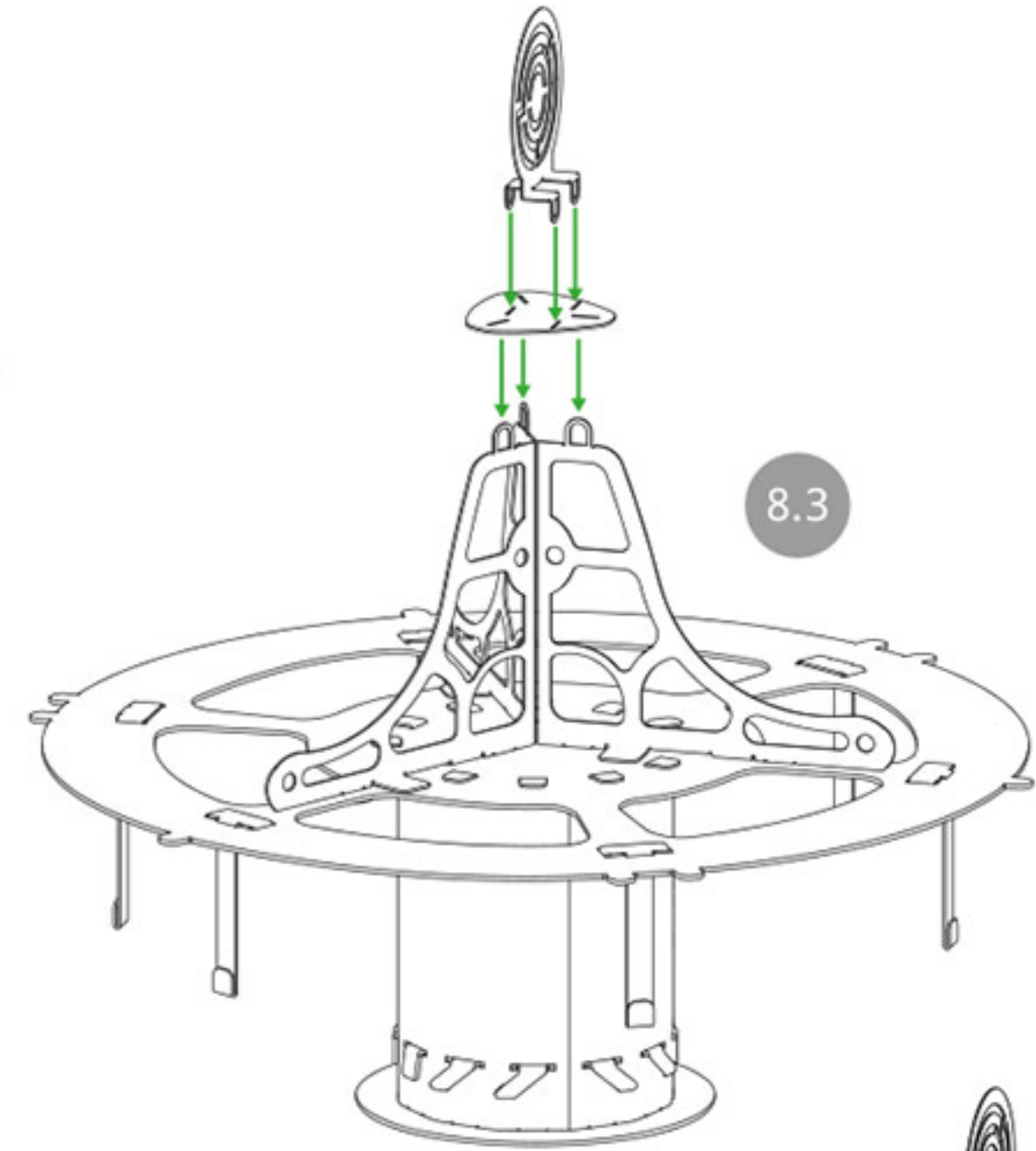
x6



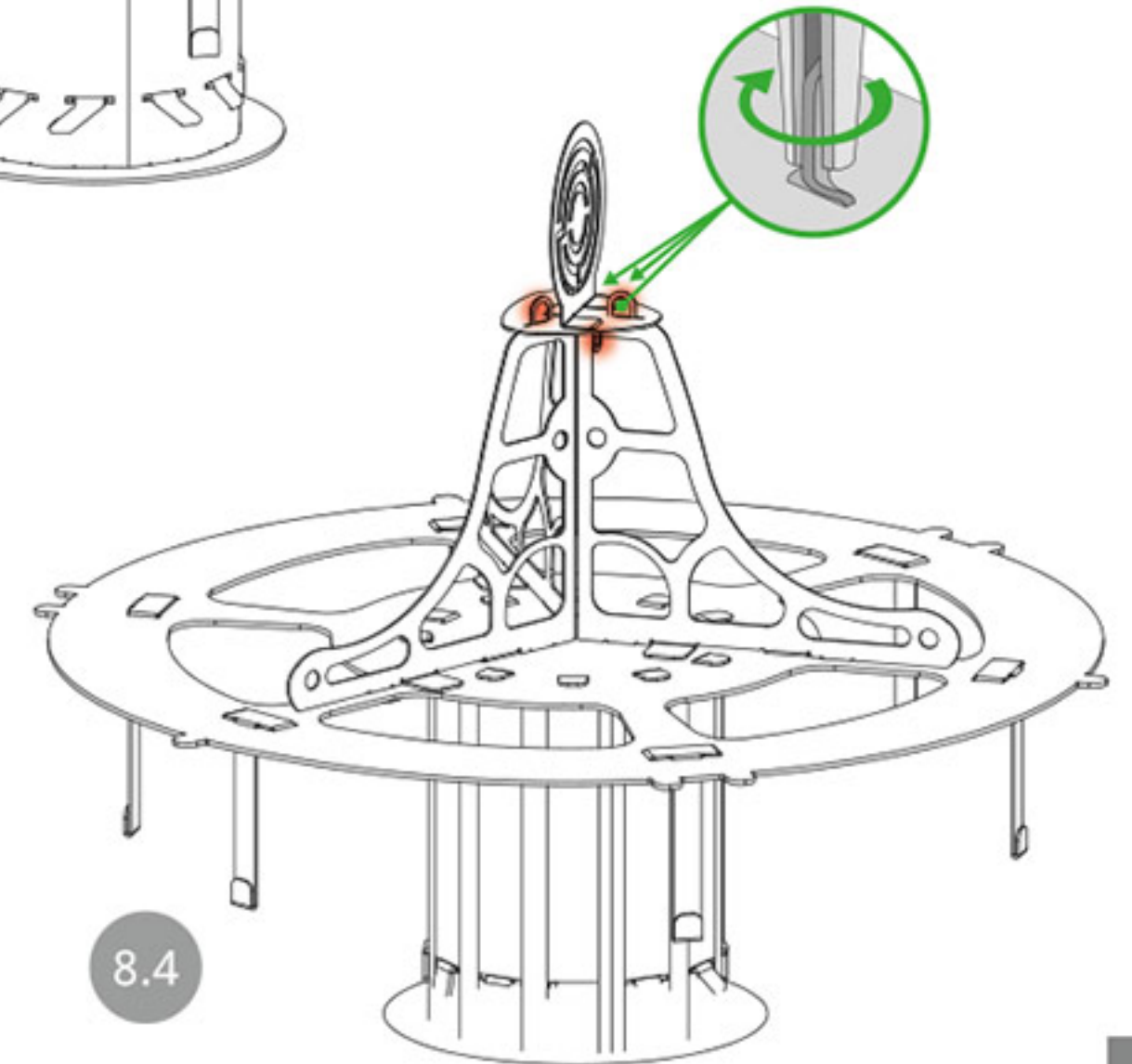
8.1



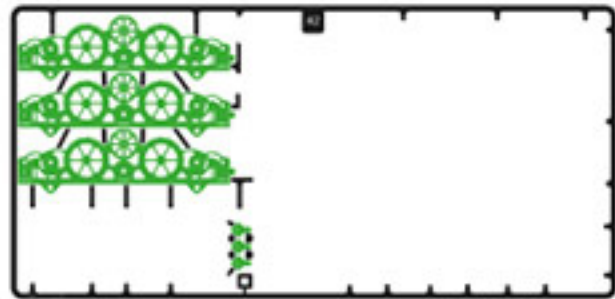
8.2



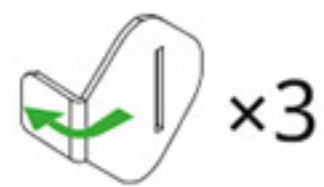
8.3



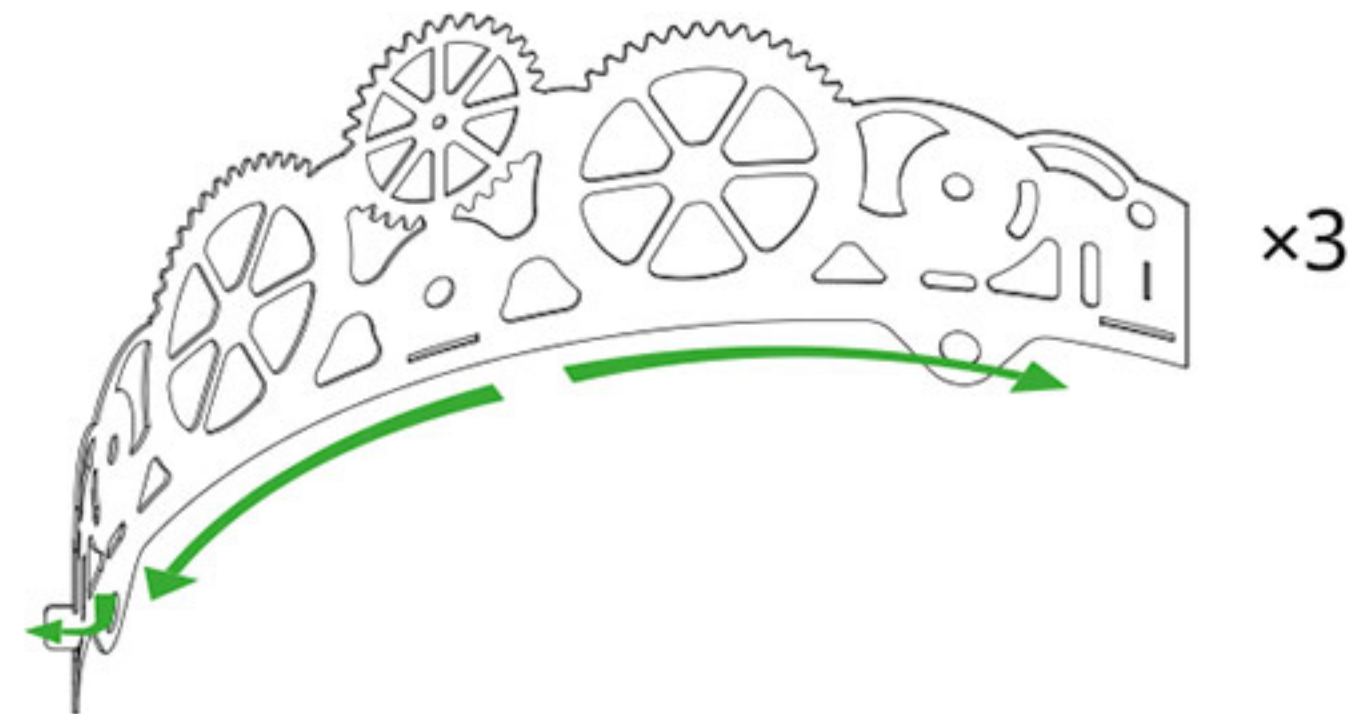
8.4



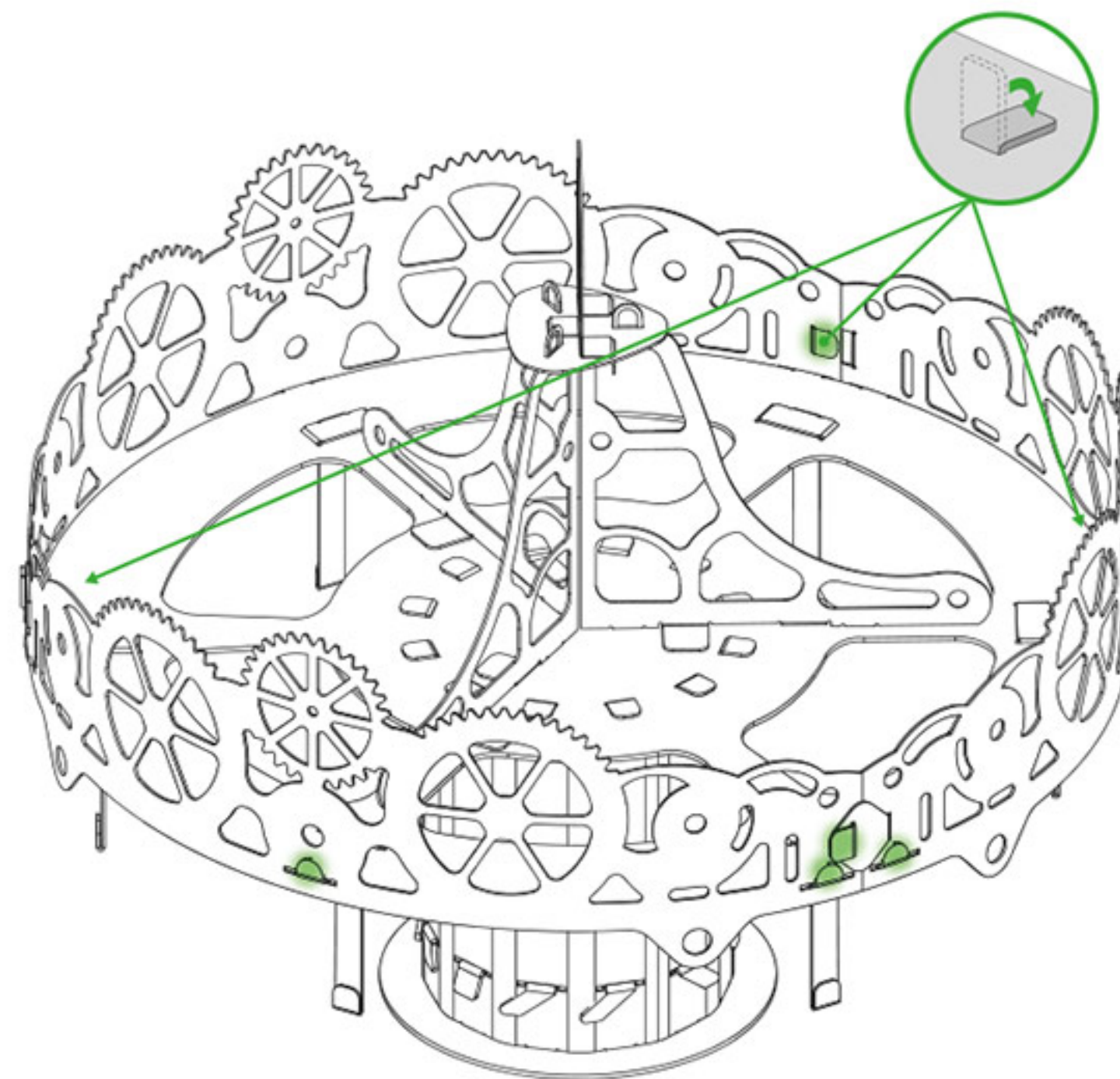
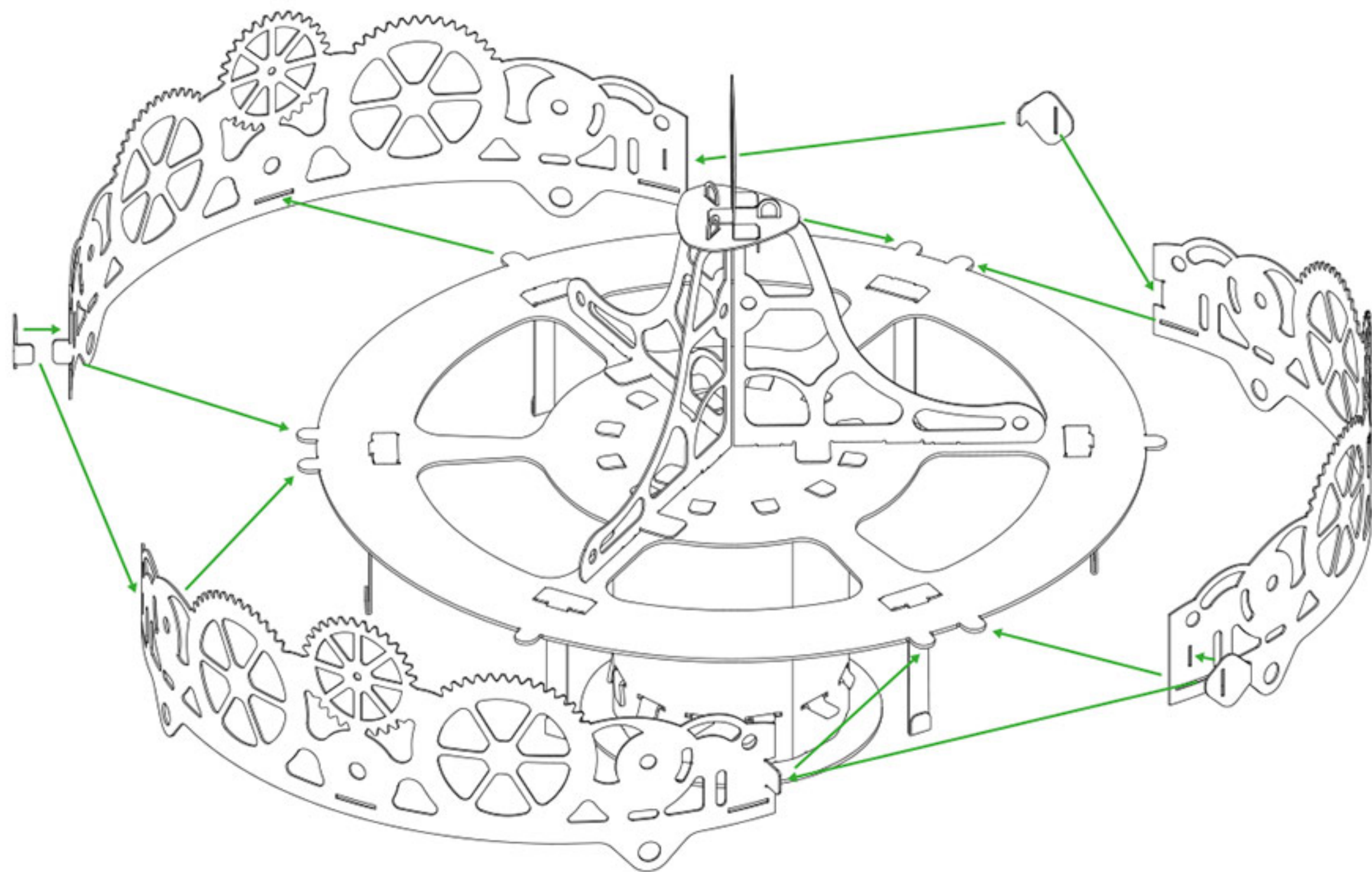
#2



x3

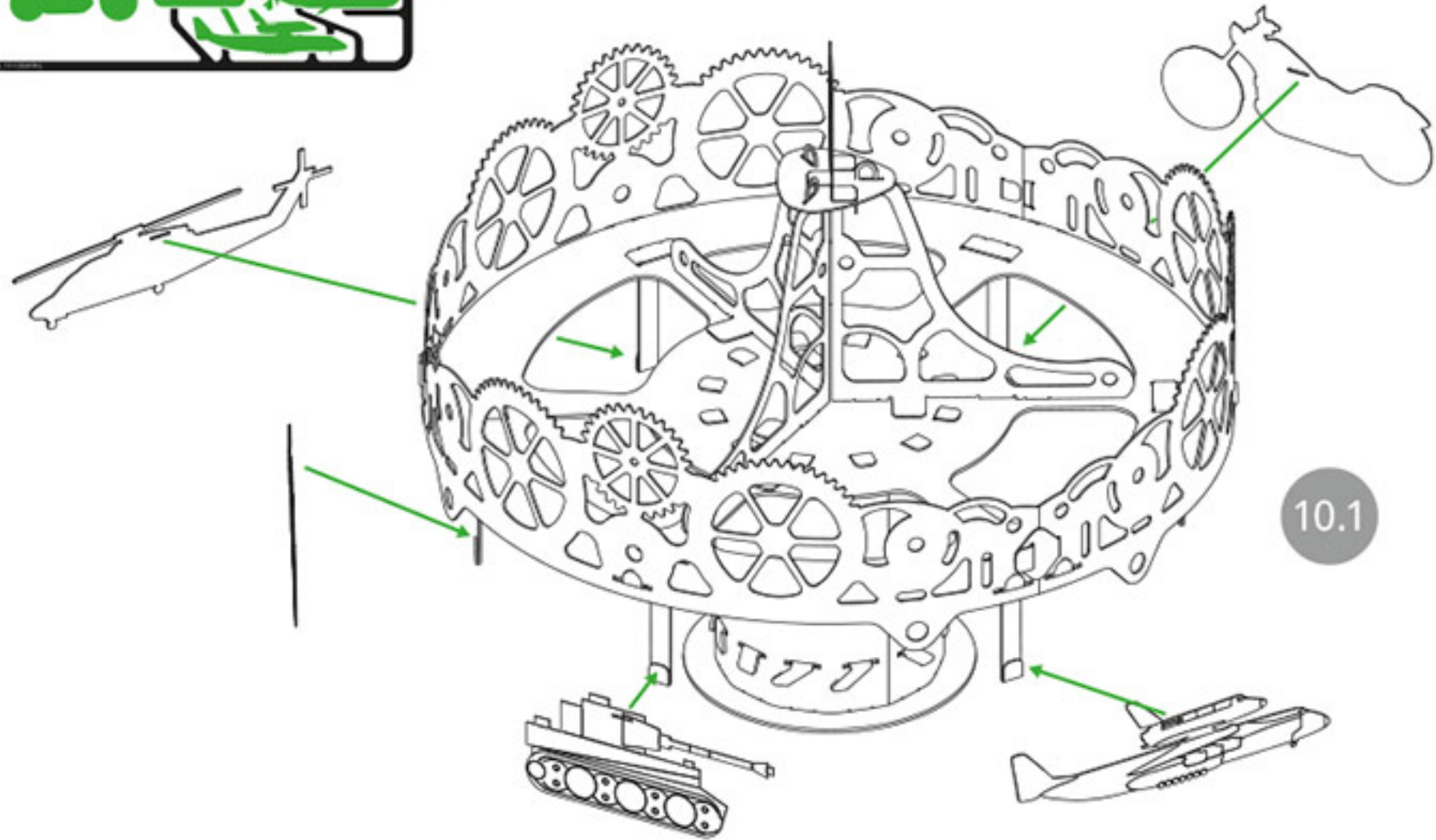


x3

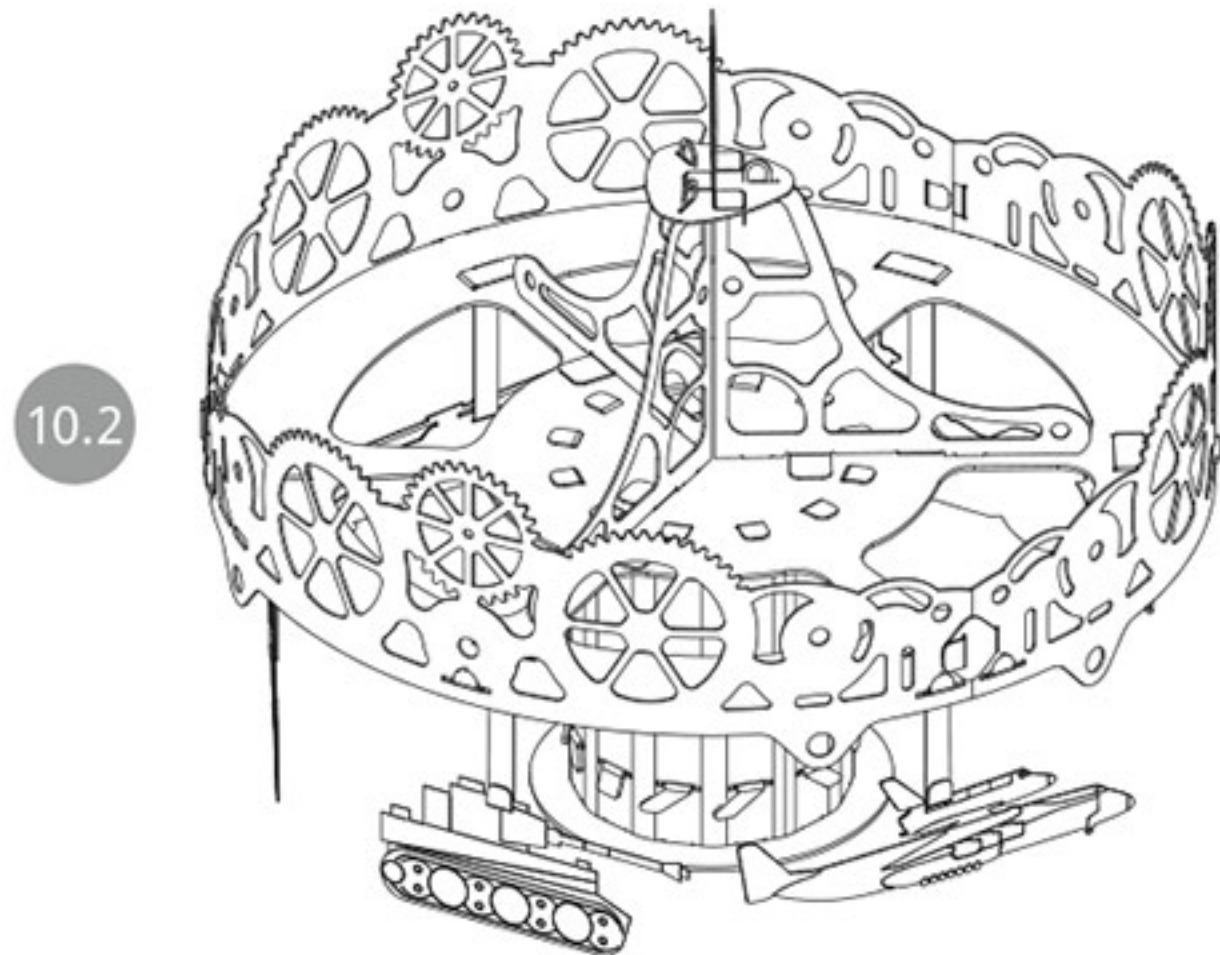




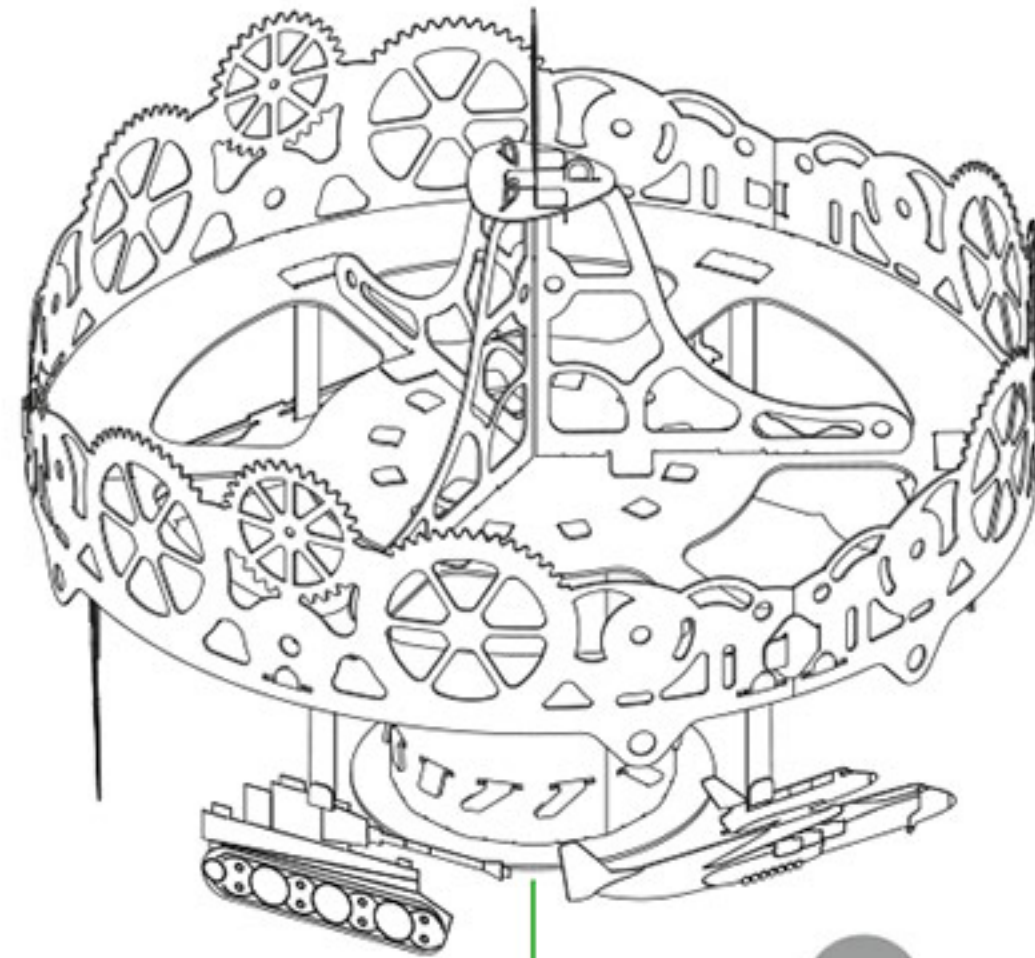
#1



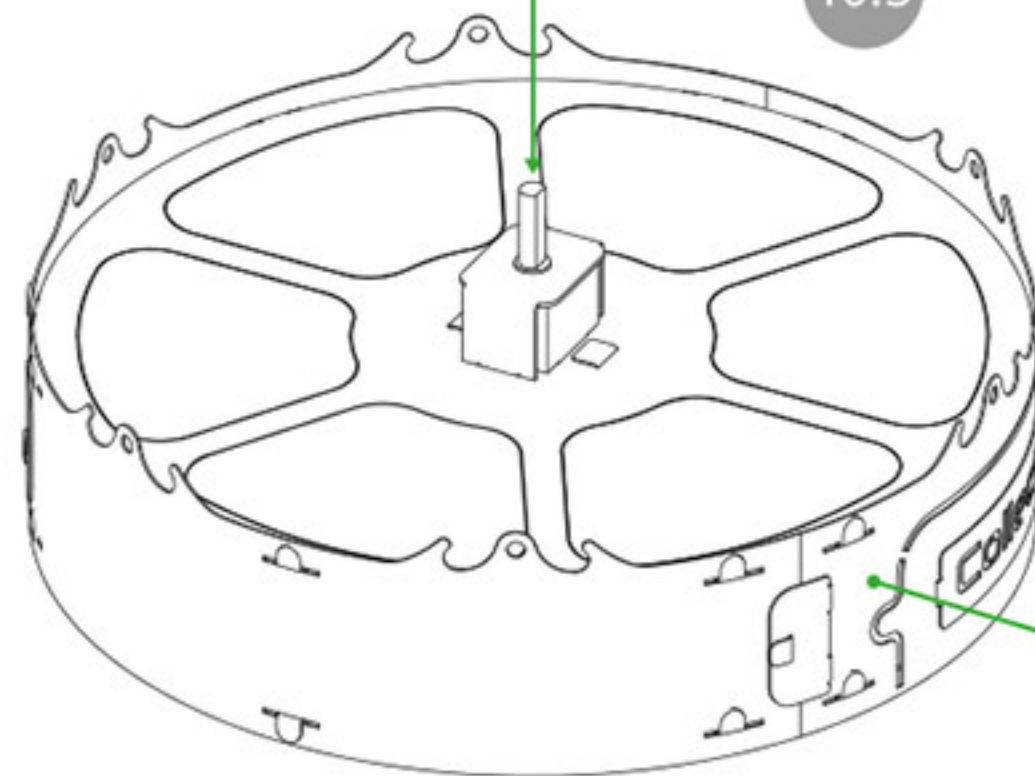
10.1



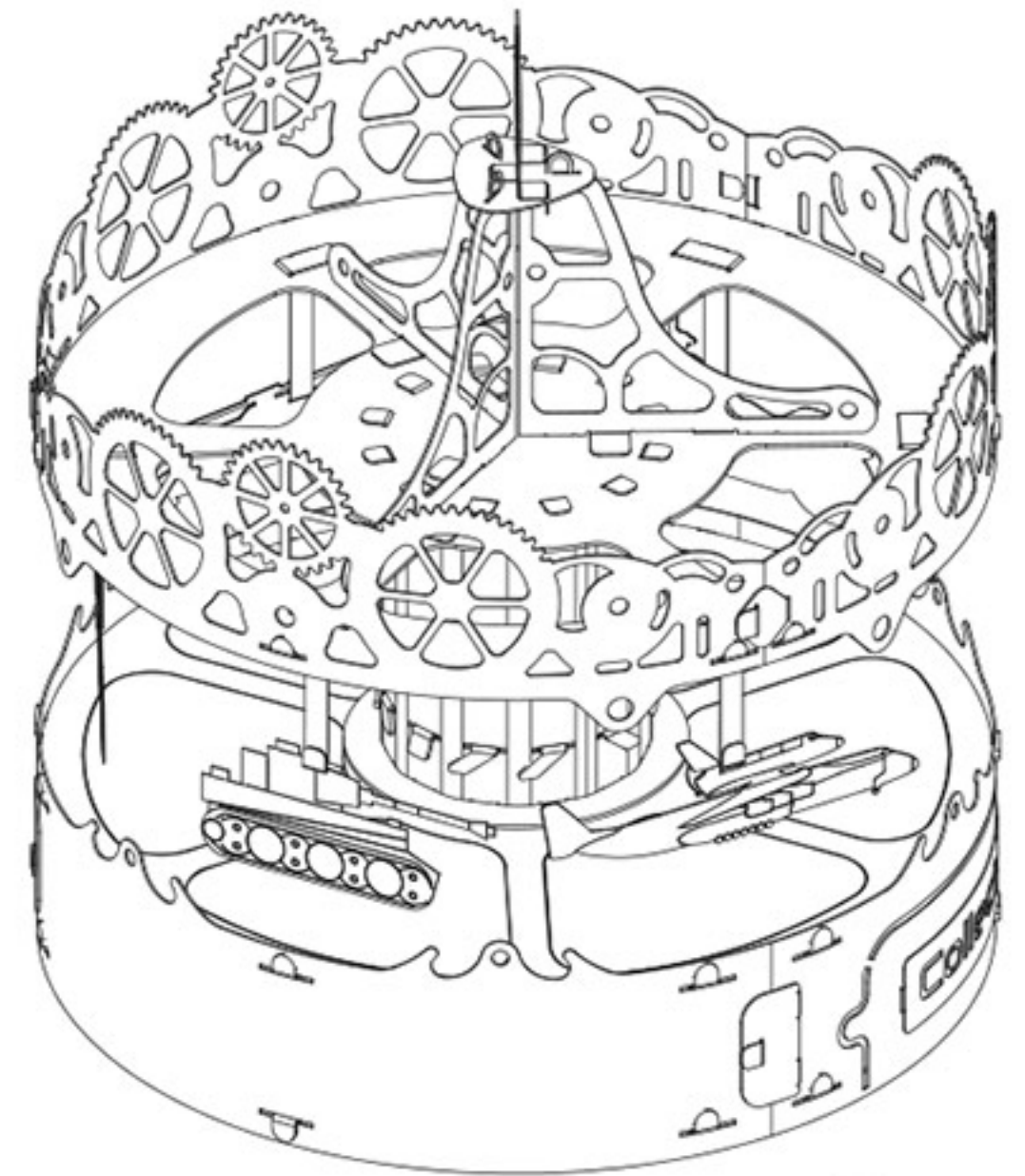
10.2



10.3

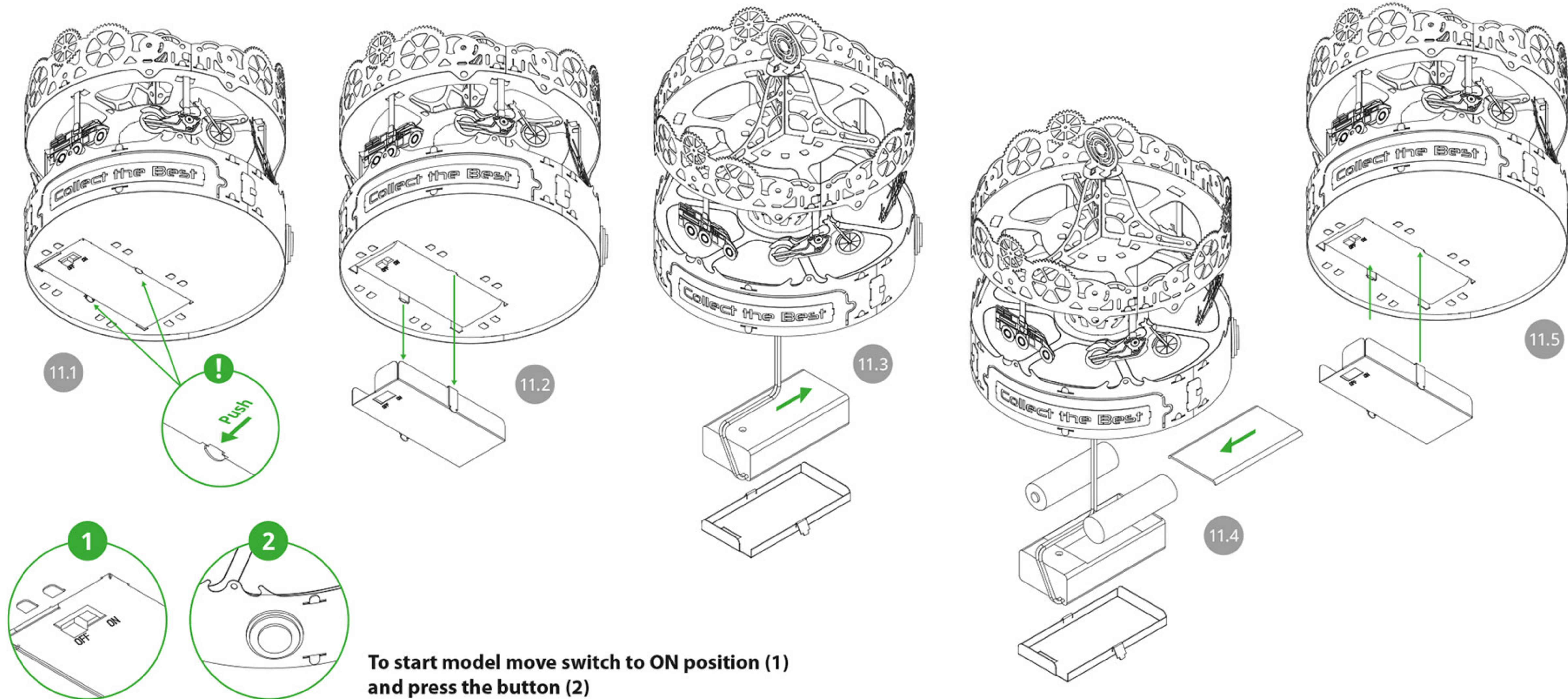


Assembly step 5



10.4

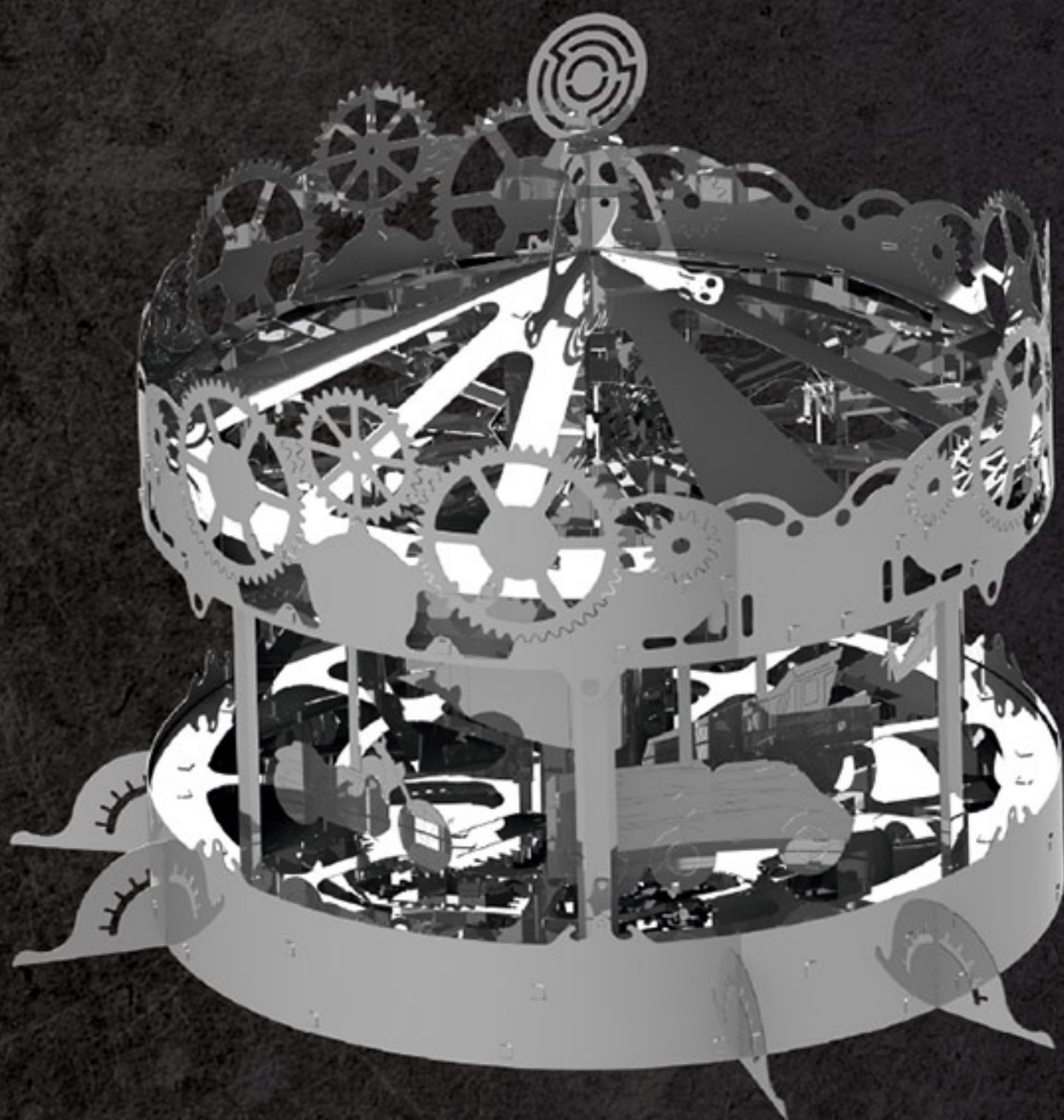
BATTERIES CHANGING





Model name:

RIDING THE BEST



The modern carousel emerged from early jousting traditions in Europe and the Middle East. Knights would gallop in a circle while tossing balls from one to another; an activity that required great skill and horsemanship.[citation needed] This game was introduced to Europe at the time of the Crusades from earlier Byzantine and Arab traditions.

Product number: SKU042

Product material: Stainless steel

Number of metal sheets: 3 pcs

Finish product size: L7.87" x W8.87" x H5.90" (L20cm x W20cm x H15cm)

⚠ WARNING!

The product contains small and/or sharp parts. Not suitable for children under 3 years of age.

In order to avoid possible injury from sharp edges, please carefully discard the metal sheet after parts have been removed. This product is not a toy. Keep out of reach of children.


Conforms to CPSIA and CE standards. The product complies with the requirements of EN 71-1,2,3; ASTM F963, REACH, AS/NZS 8124, GB 6675



Difficulty level

No expiration date

Designed in Ukraine

 Made in China

MODEL
BUILDING
KIT

@hobbadd.cn

霍布德



Collect the Best

Includes: steel sheets, pliers, file, gloves, polishing cloth, user's guide, electric motor and battery box (AA batteries are not included).

ALL RIGHTS RESERVED
© Metal-Time Inc., USA

www.metal-time.com
info@metal-time.com