

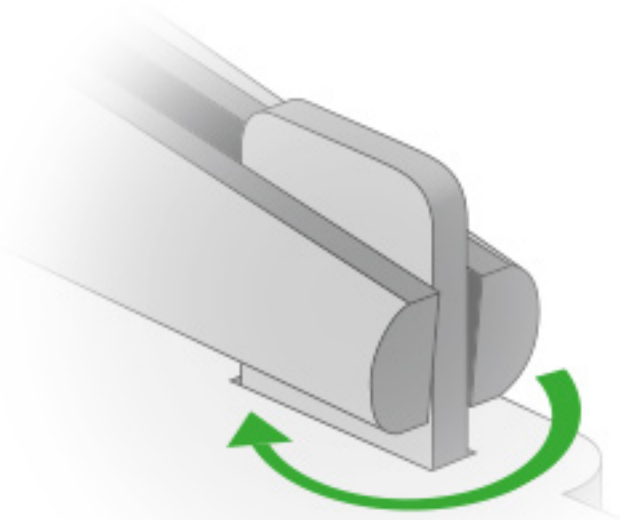
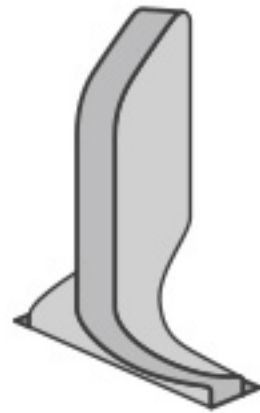
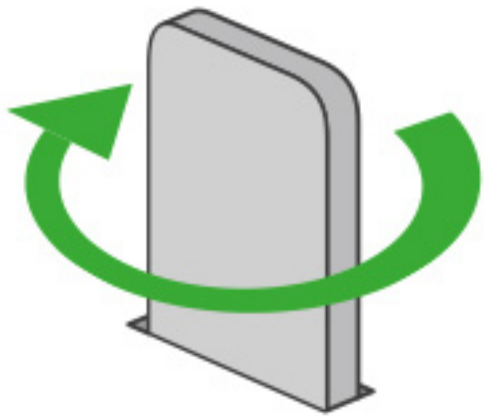


**NEBULA SCOUT**



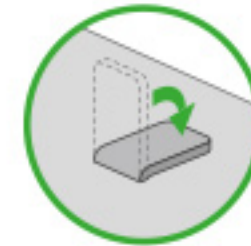
## STANDARD FIXING OF FASTENERS AND SYMBOLS

When assembling the model, don't rush, avoid pointing details at yours or anyone else's face. If one of the parts has a sharp edge, please file it down. Use pliers and additional tools to assemble the model. Each kit contains a cloth for wiping and polishing the model once it's assembled.



If there are no additional designations, use the standard fixing method

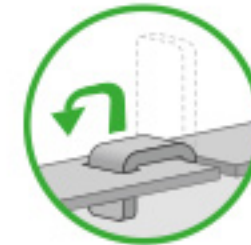
Use pliers to bend the fasteners



Bend the eyelet 90°



Twist the eyelet 45°



Bend the tip of the ear by 90°, then bend the whole ear by 90°

## MODEL PARTS AND ASSEMBLY TOOLS



#1



#2



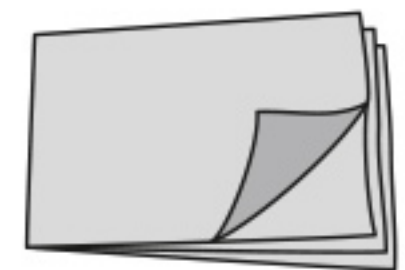
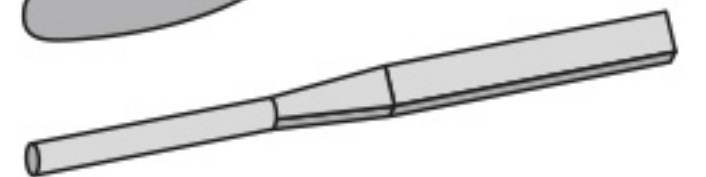
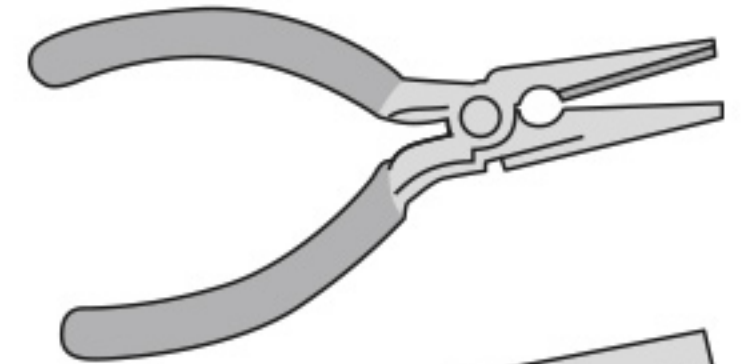
#3



#4



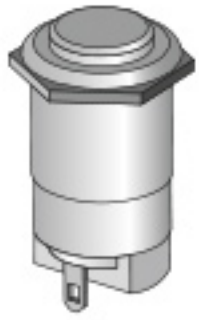
#5



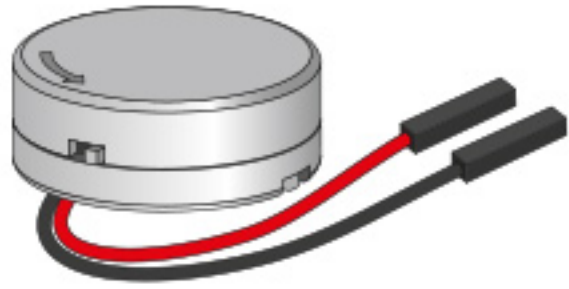
Tools



## MODEL PARTS



Button



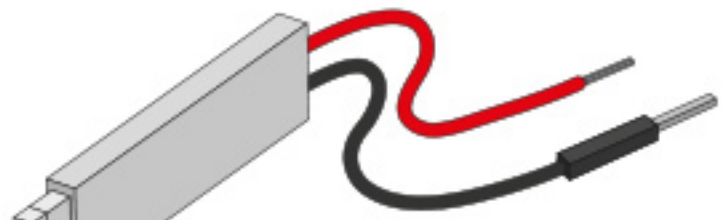
Battery box



80 mm



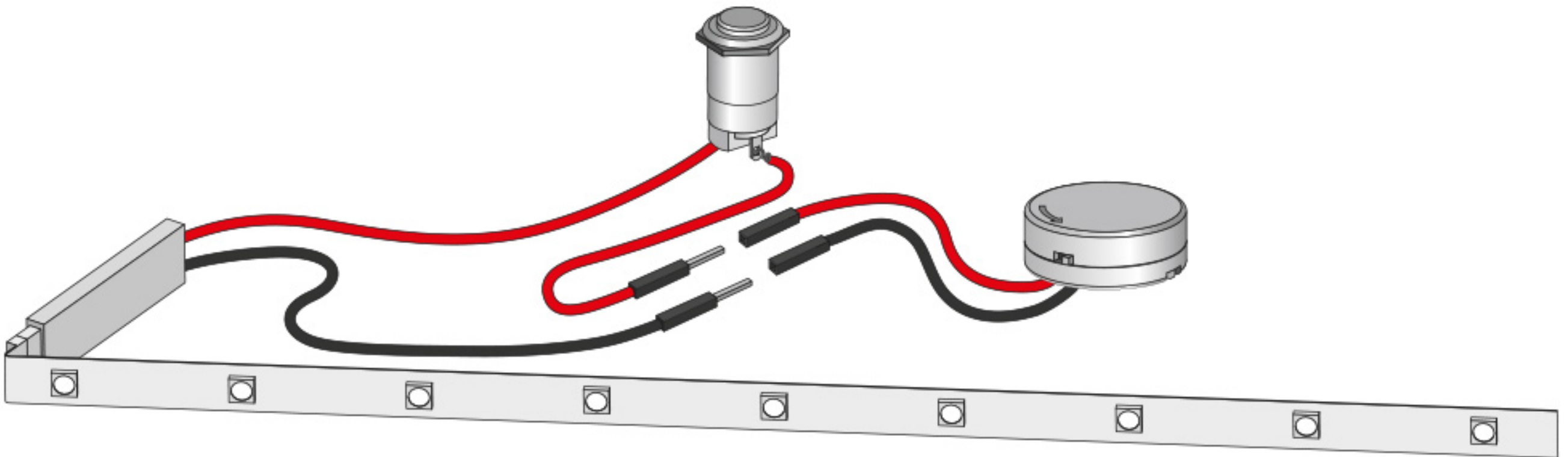
Remote Control



LED strip with radio controller



## WIRING DIAGRAM



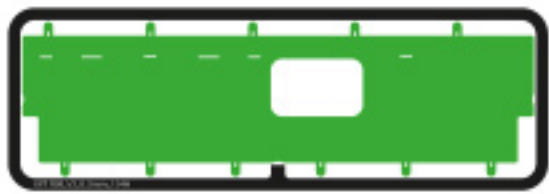
**WARNING!** Product contains small parts and sharp parts. Not suitable for children under 3 years of age. Please read these instructions carefully before assembly and use.



#1

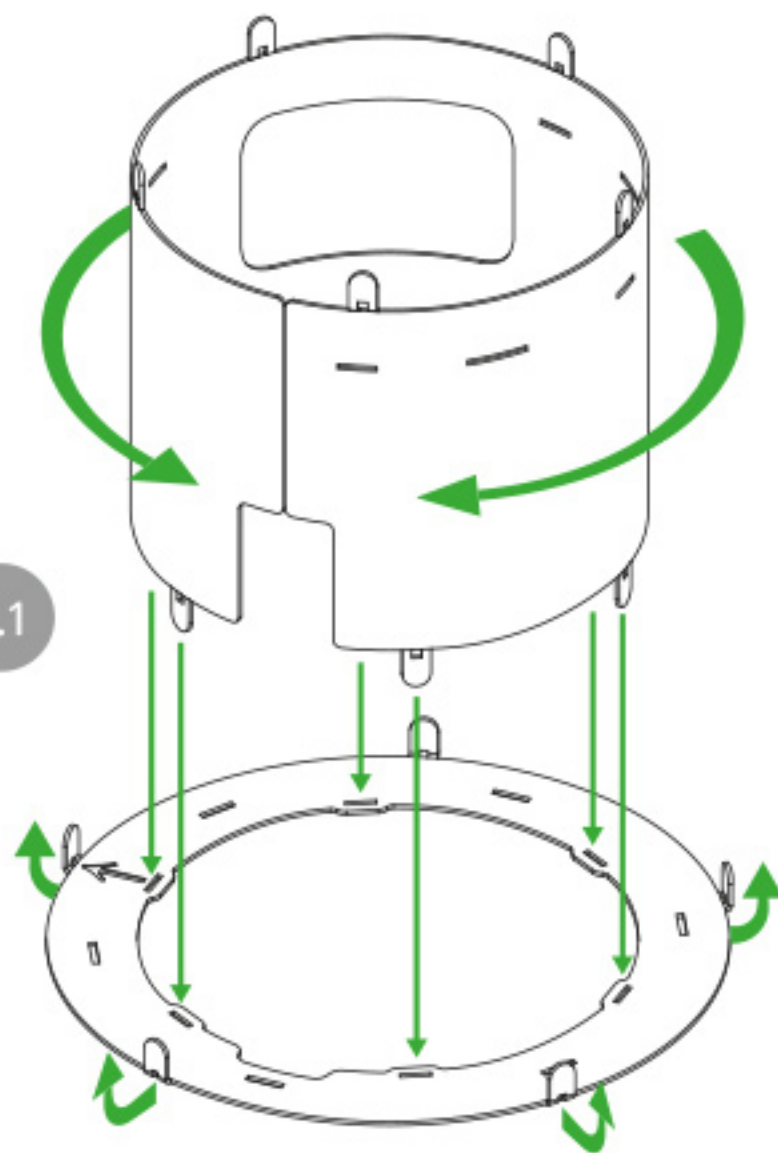


#4

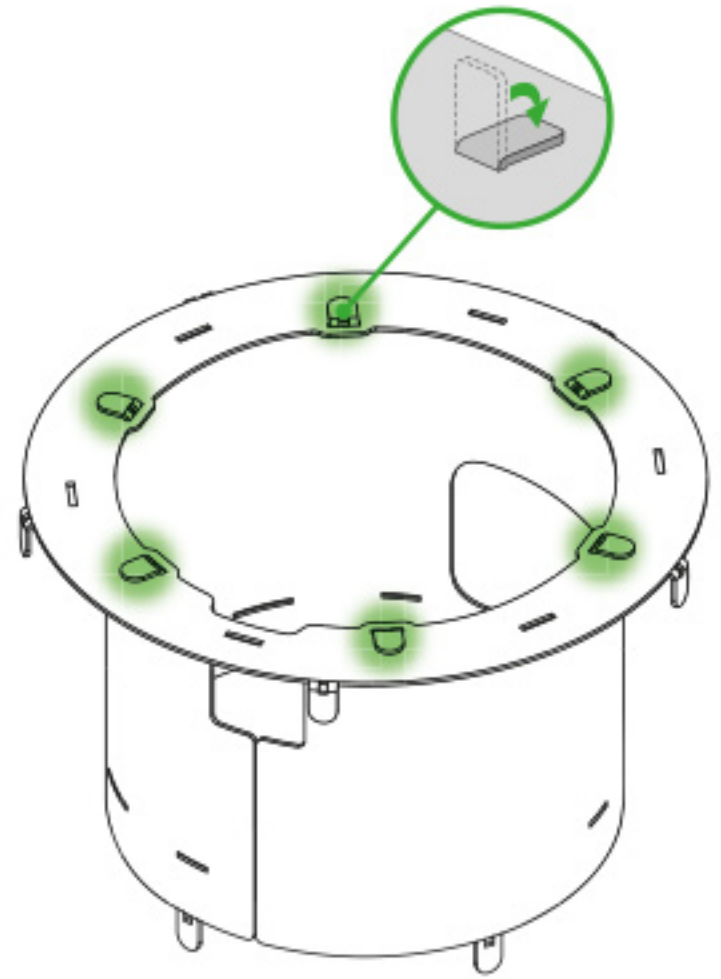


#5

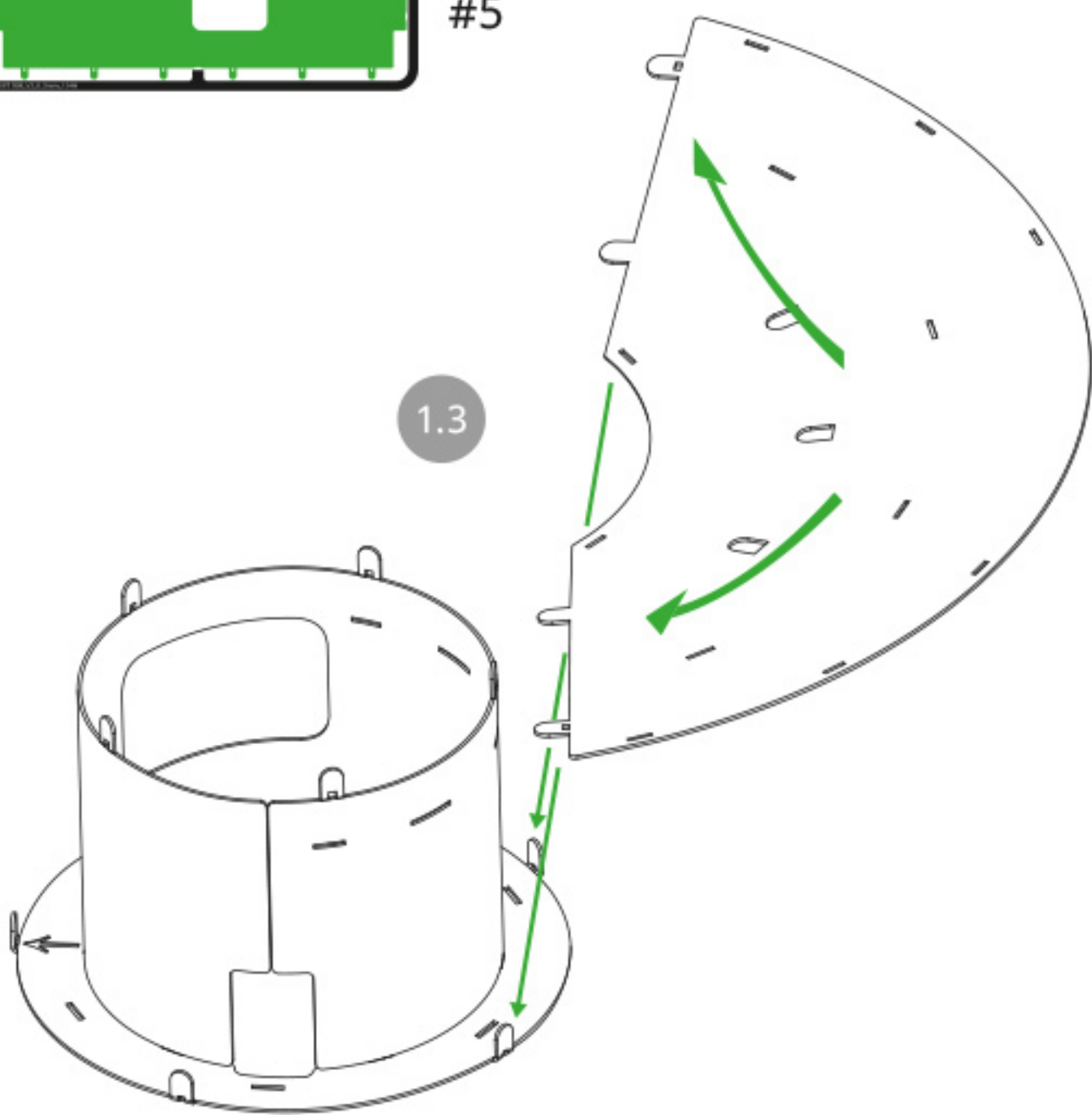
1.1



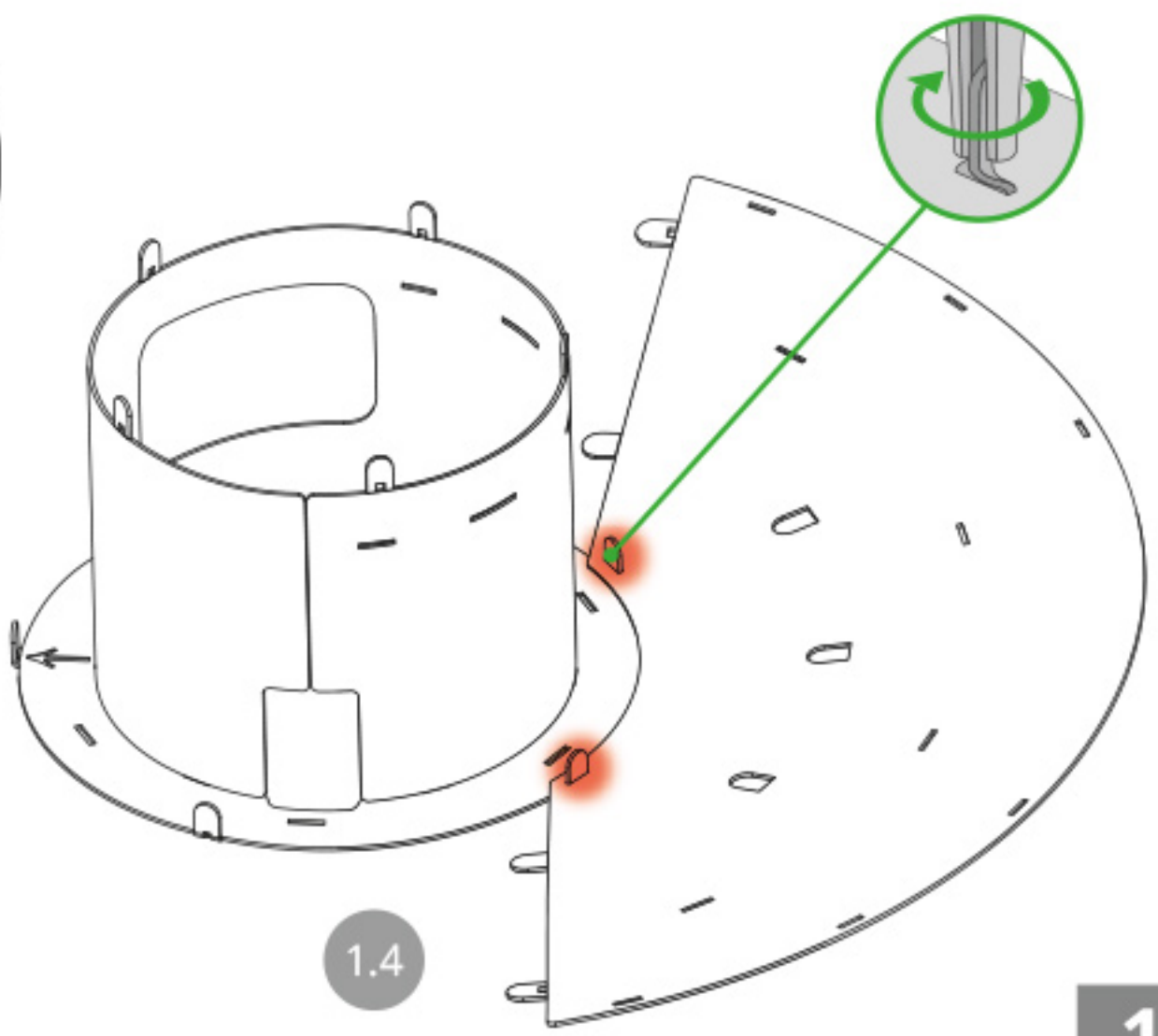
1.2



1.3

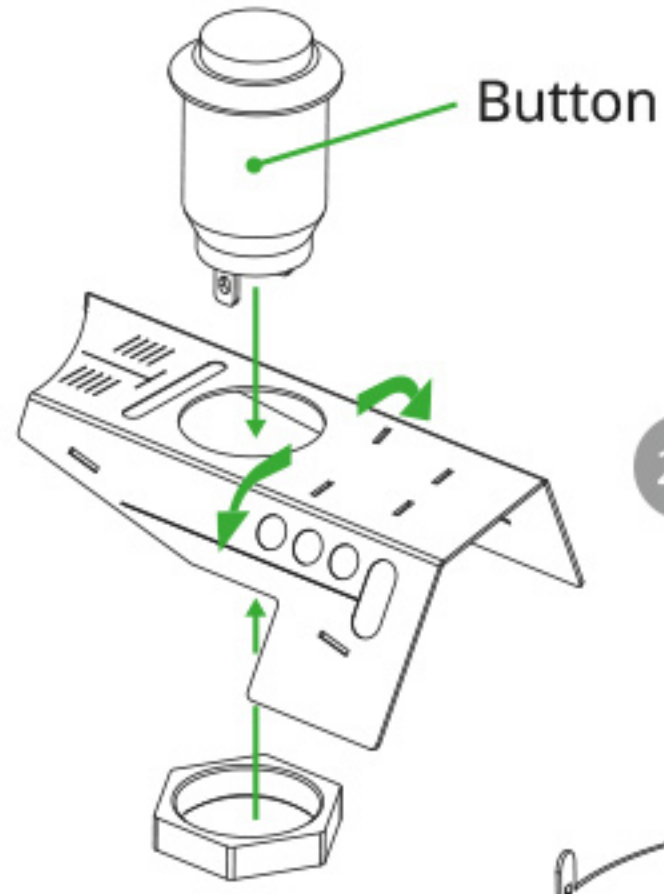


1.4



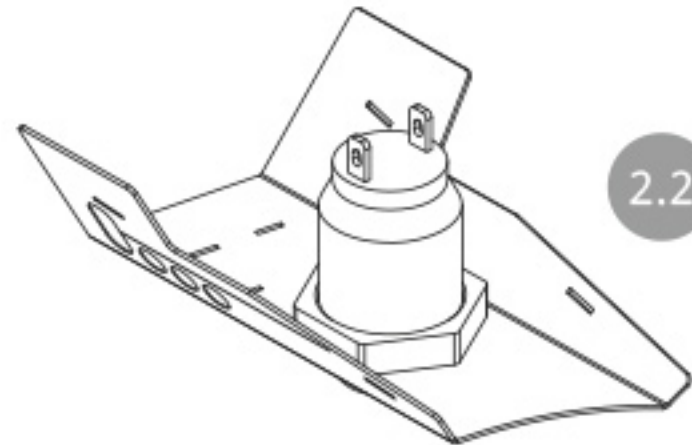


#4

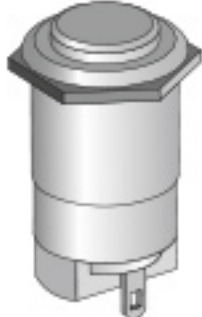


Button

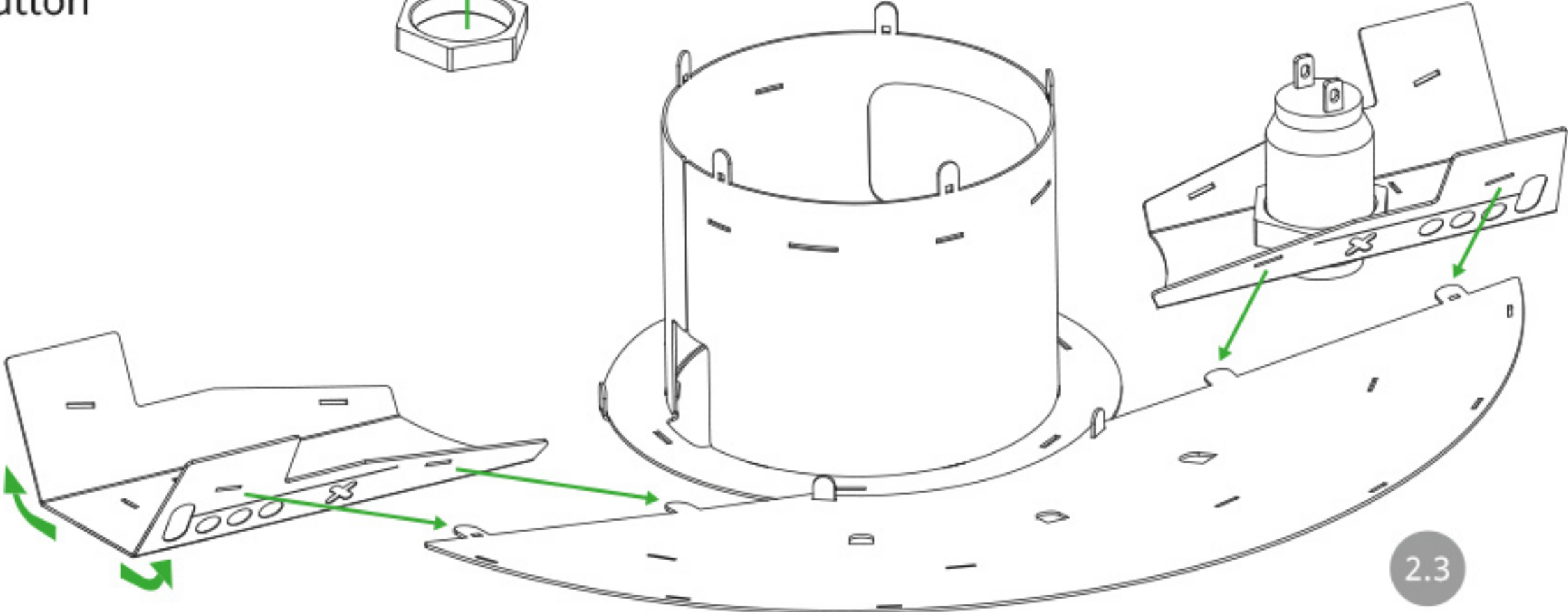
2.1



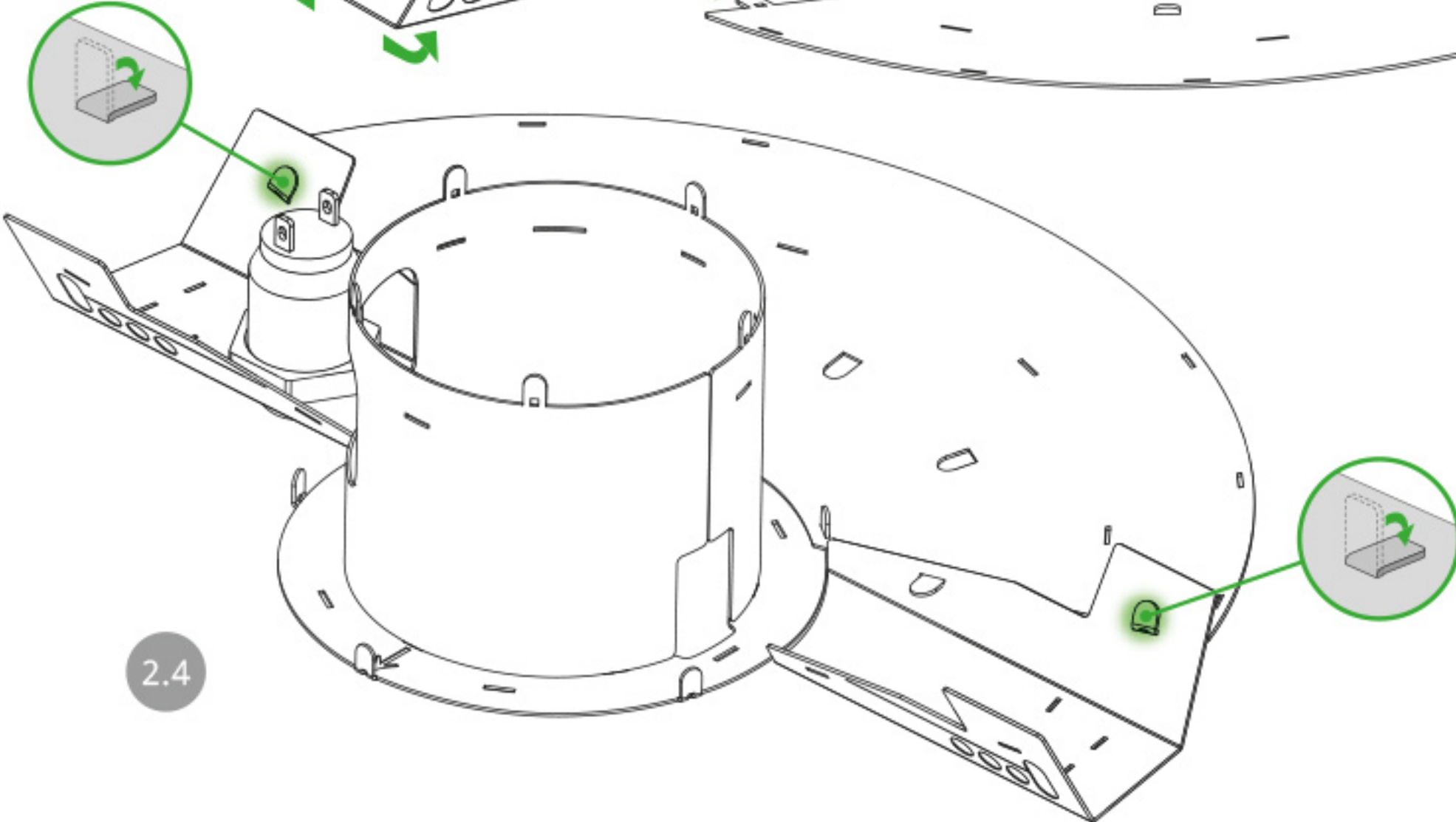
2.2



Button



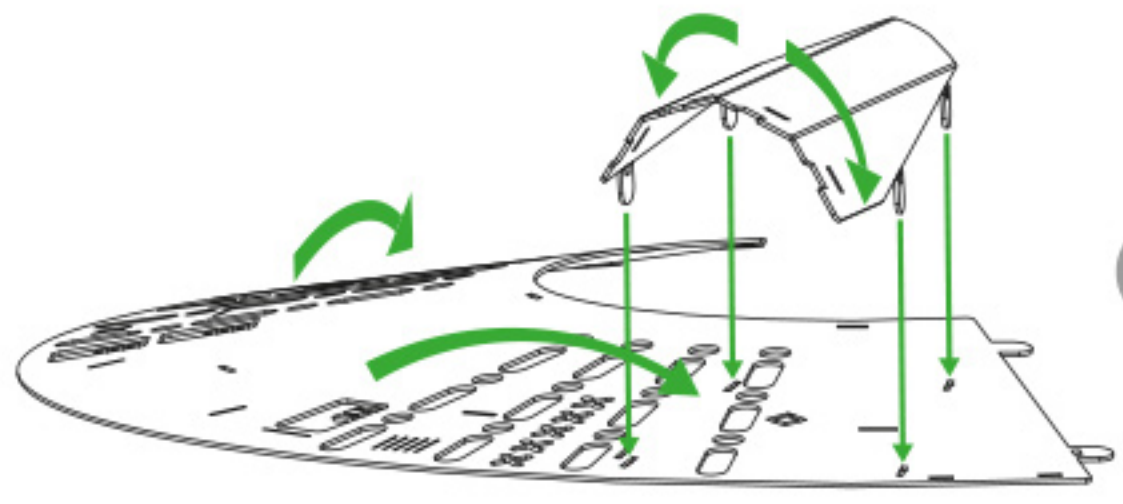
2.3



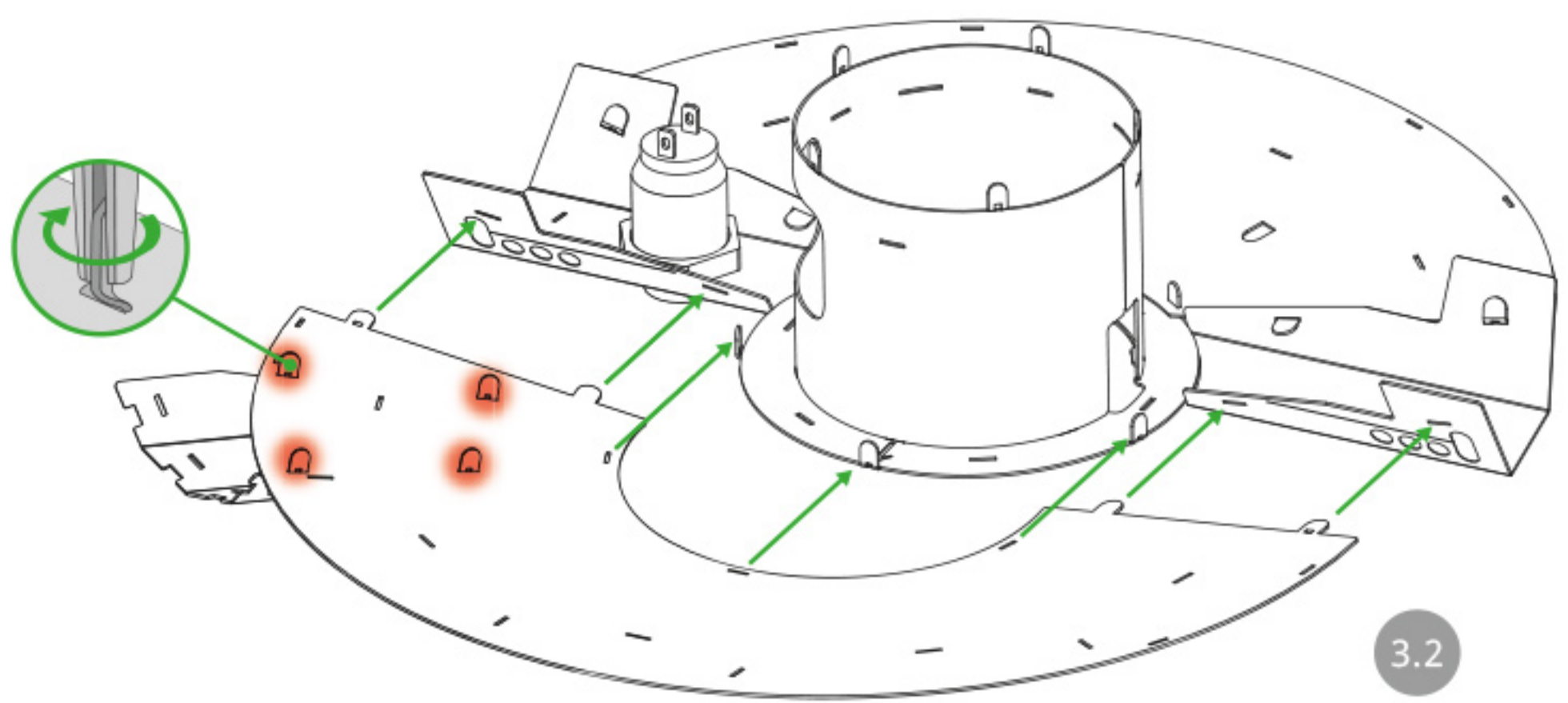
2.4



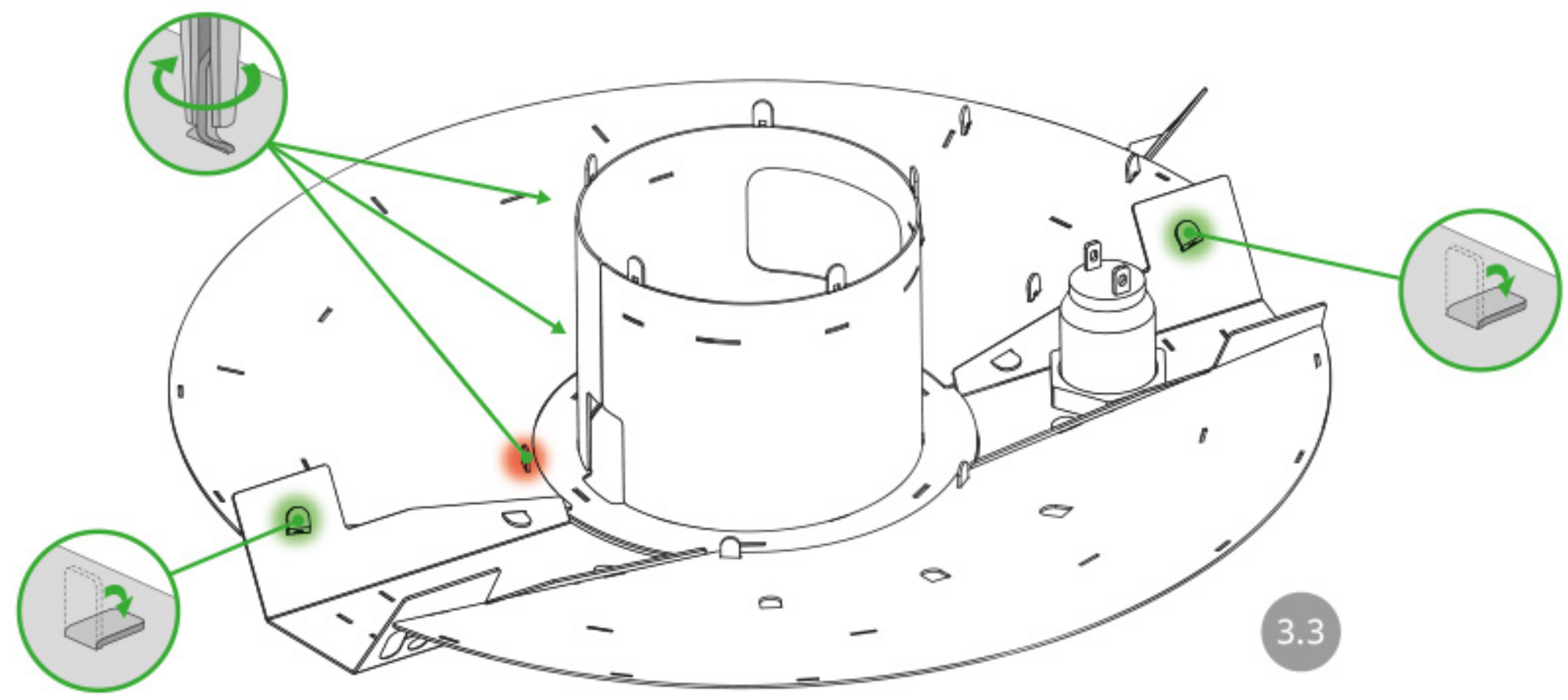
#2



3.1



3.2



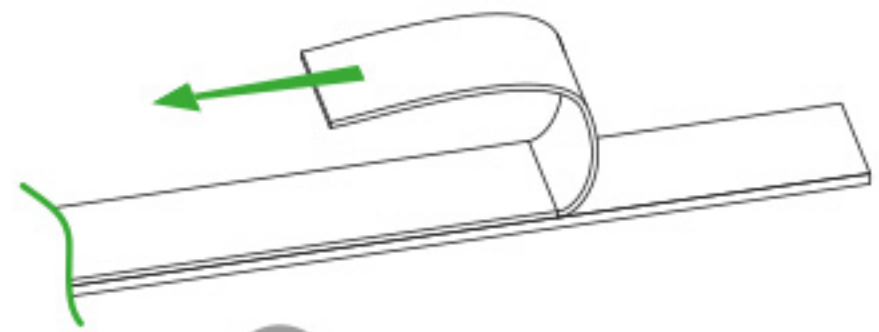
3.3



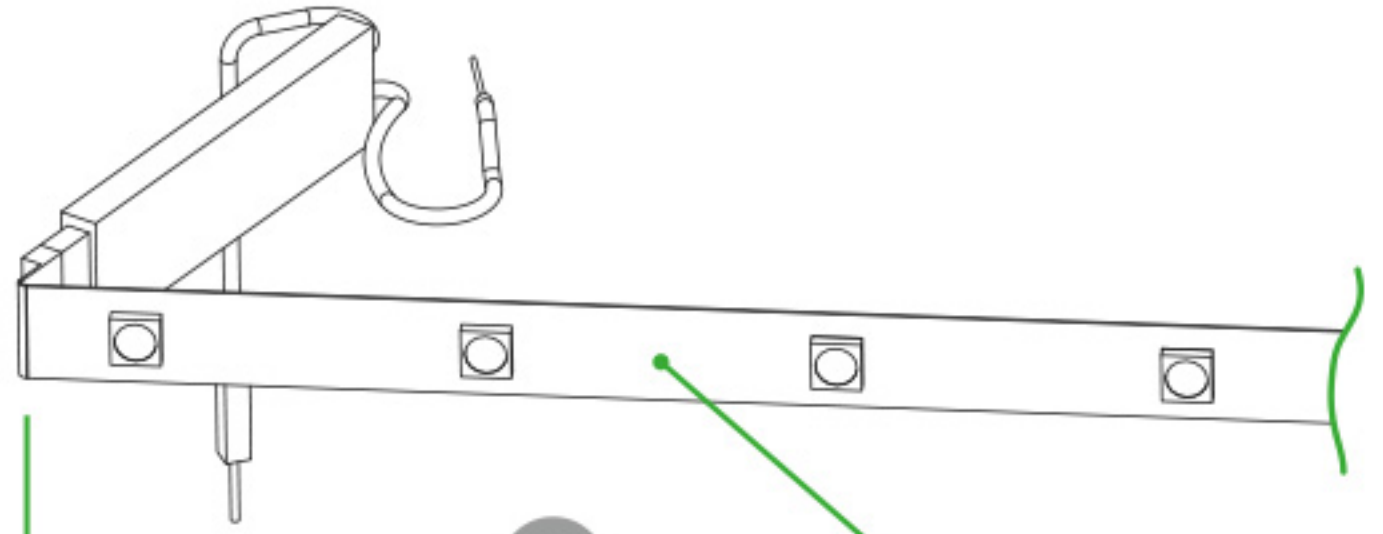
#3



LED strip

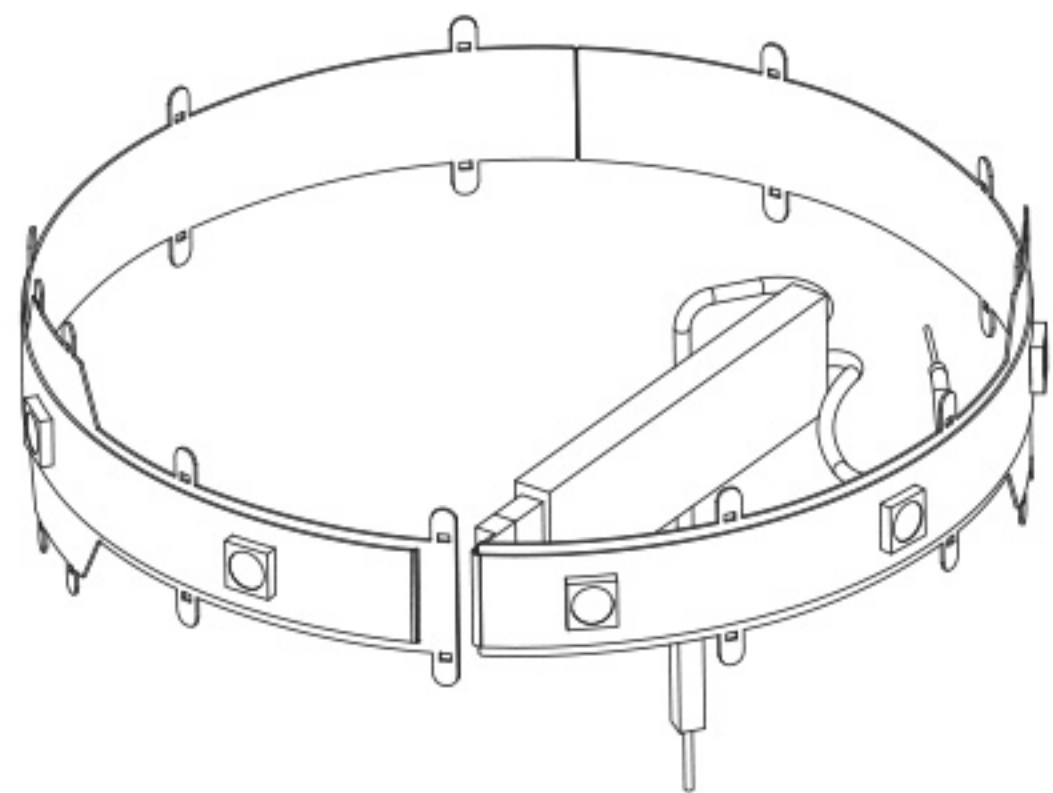
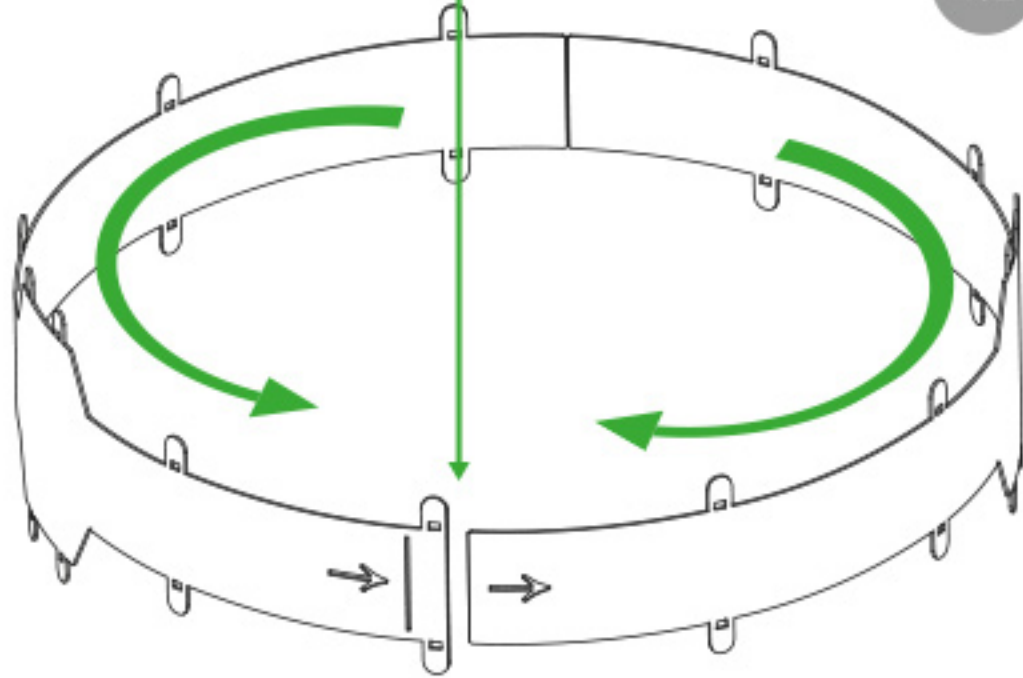


4.1

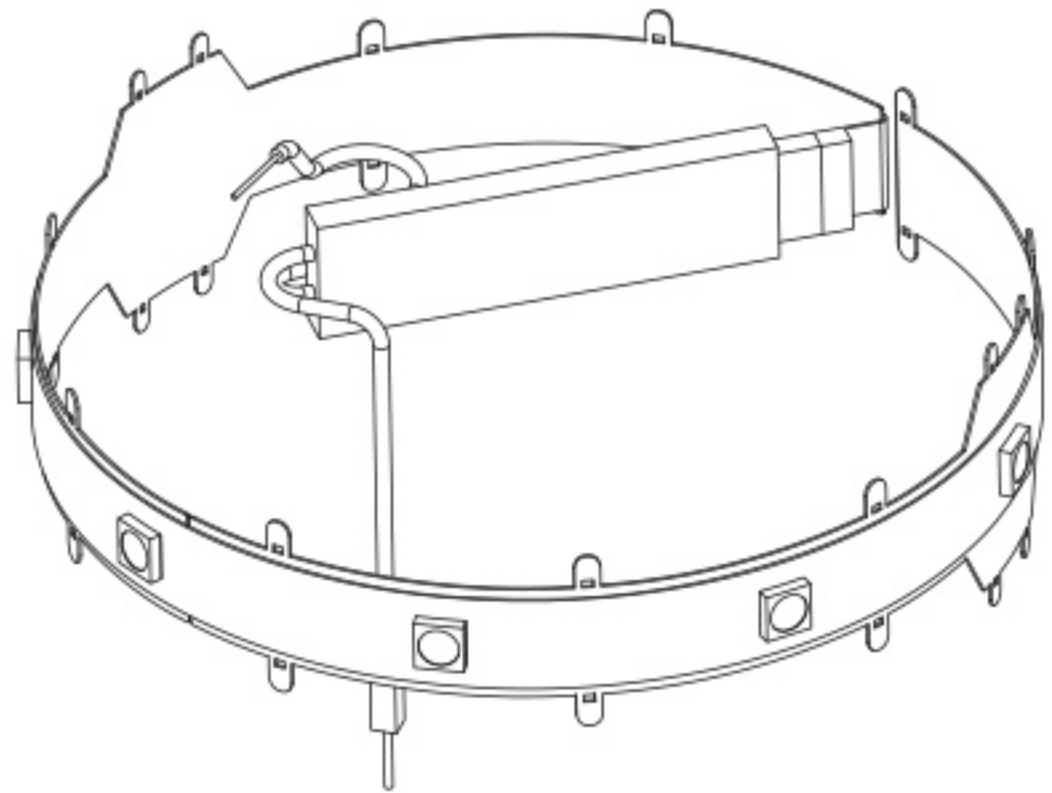


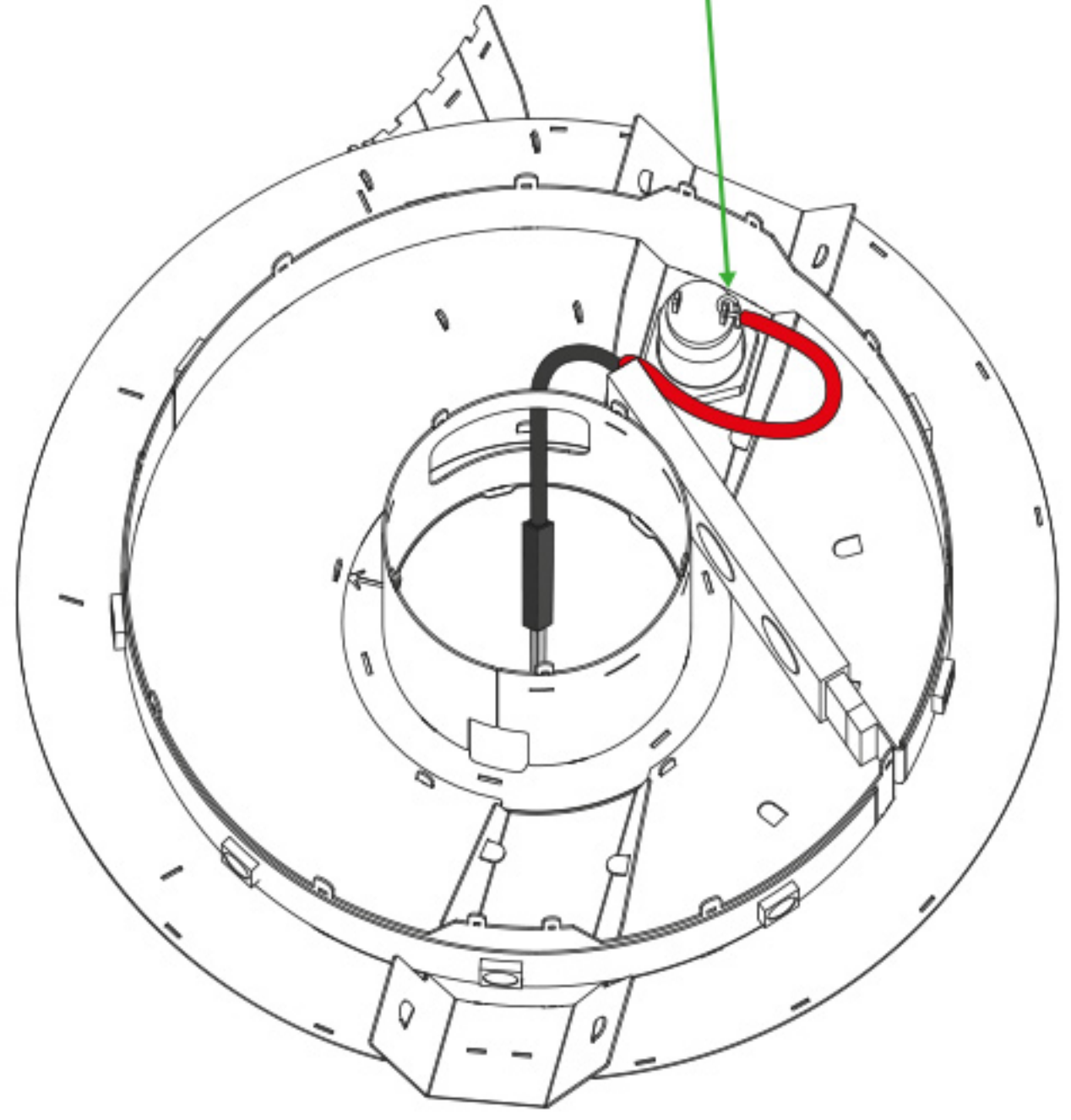
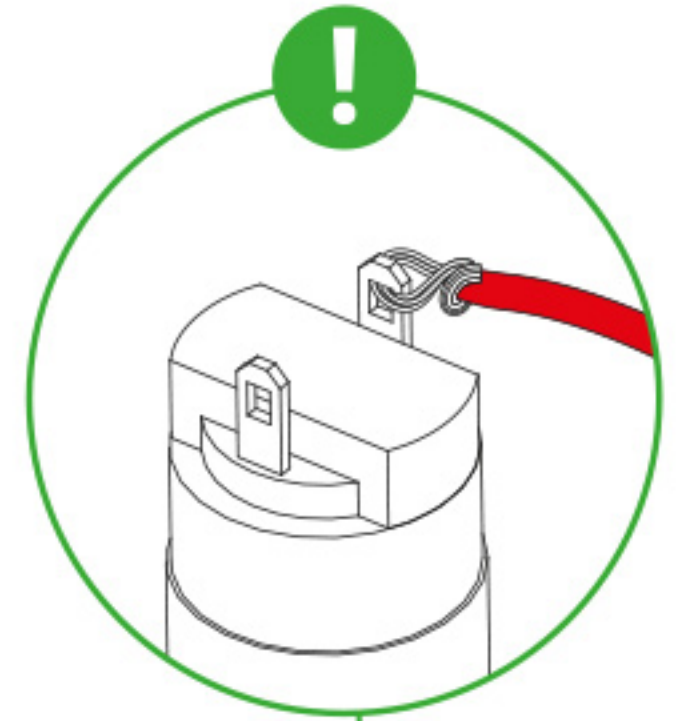
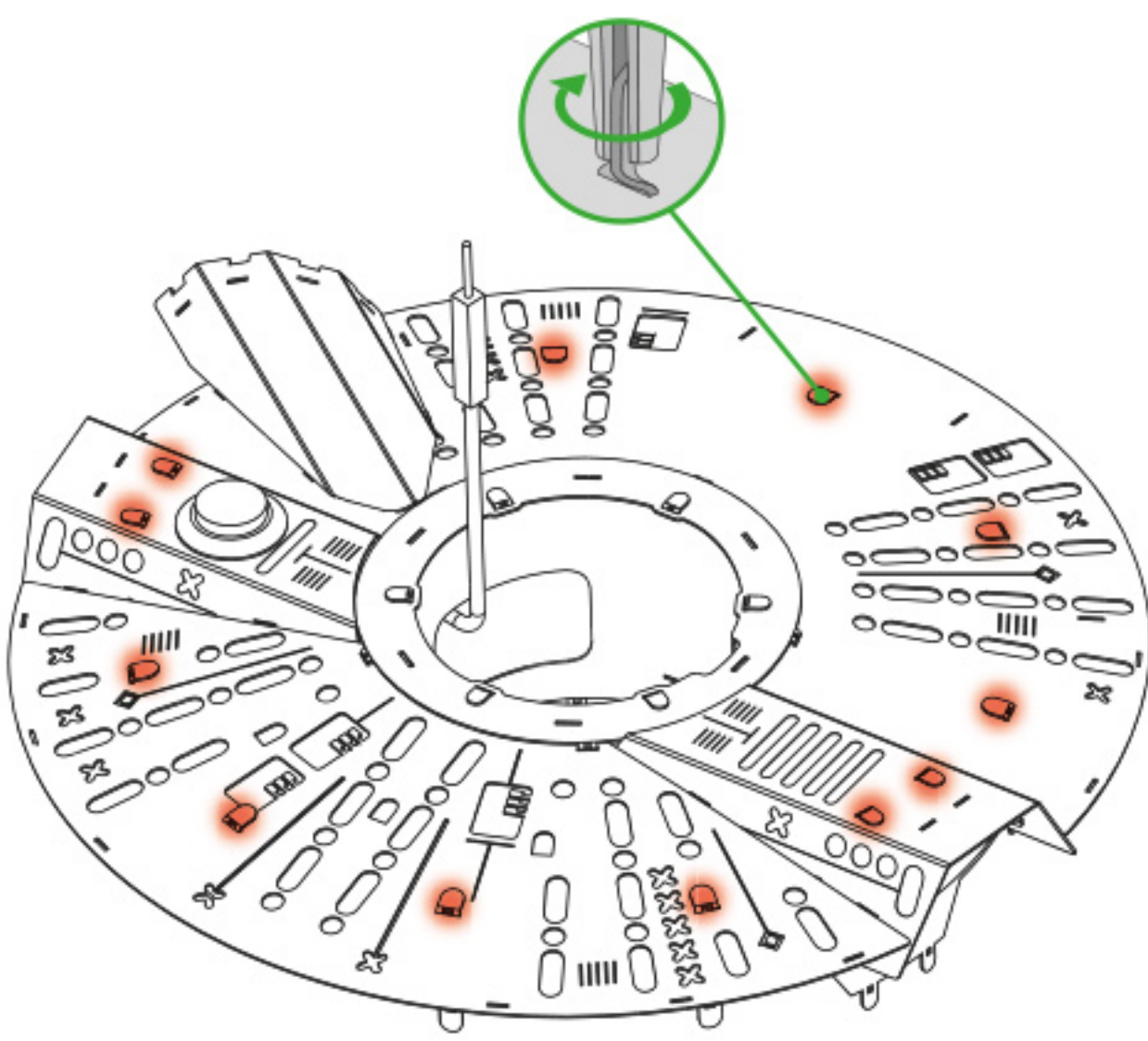
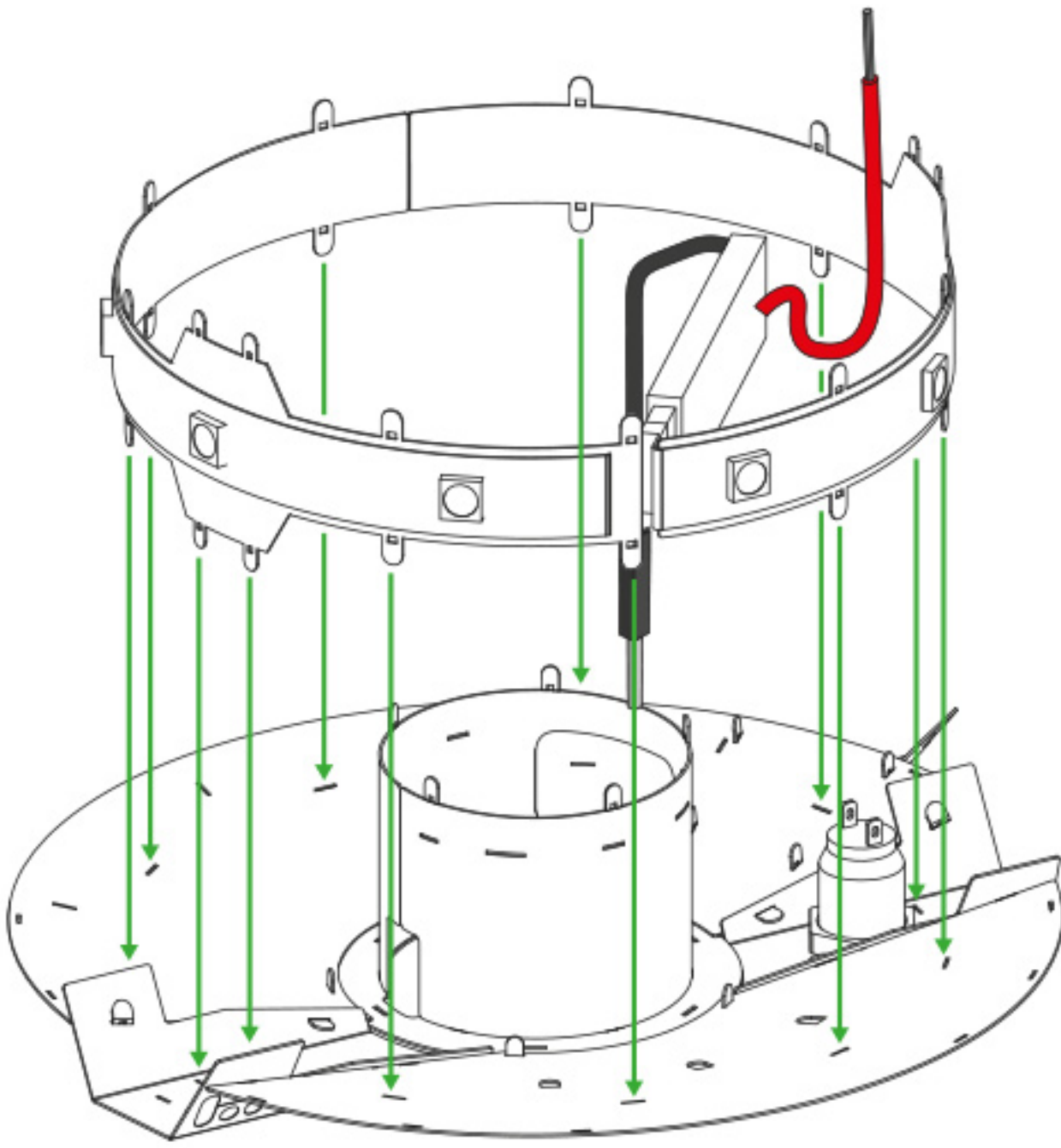
4.2

LED strip



4.3

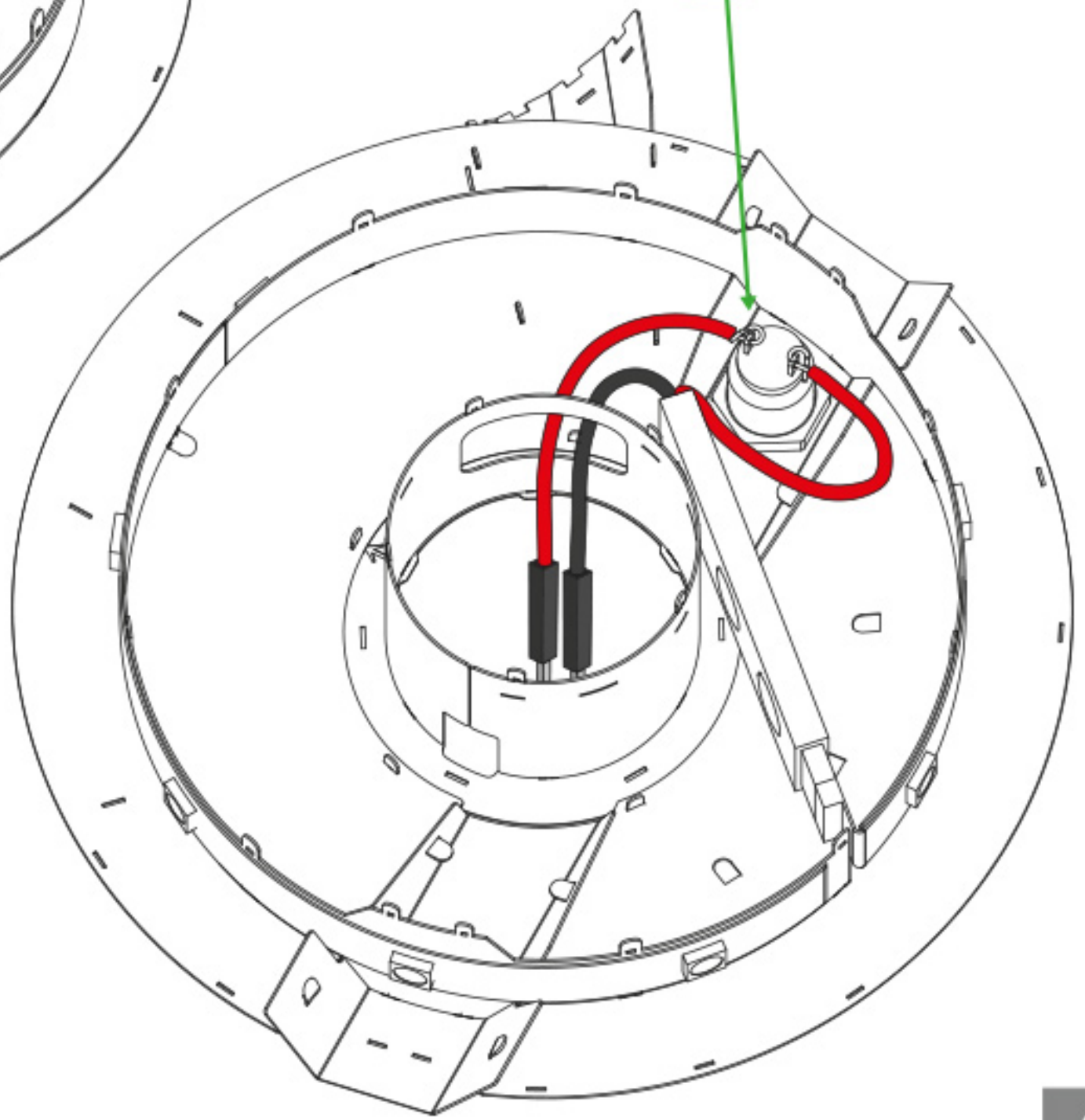
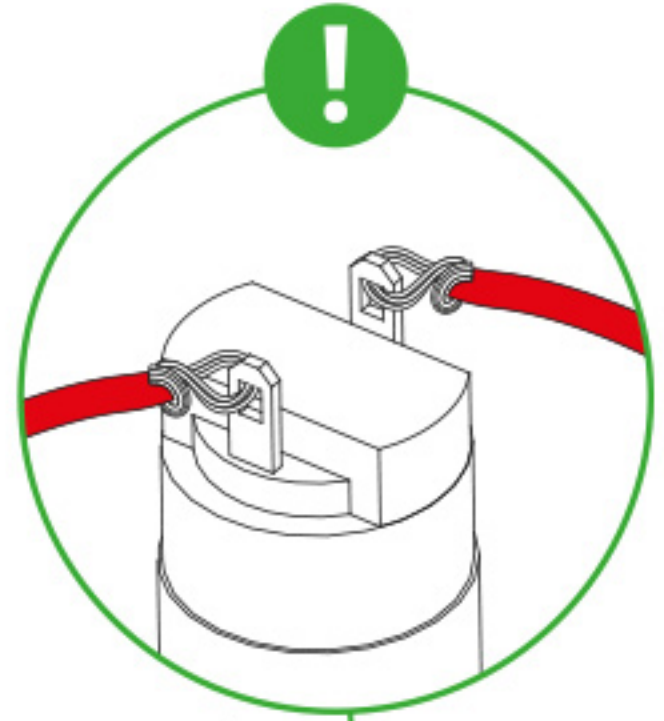
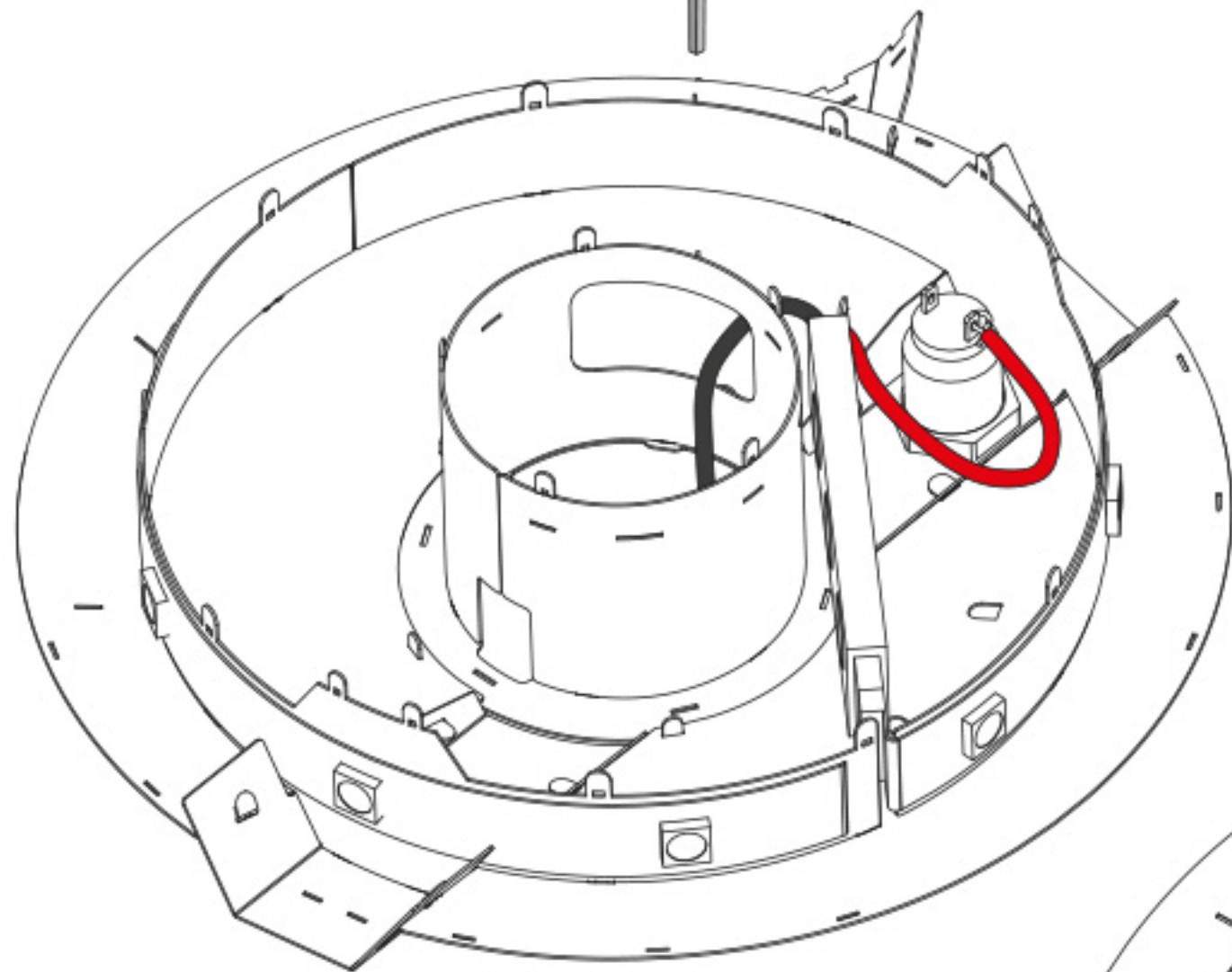
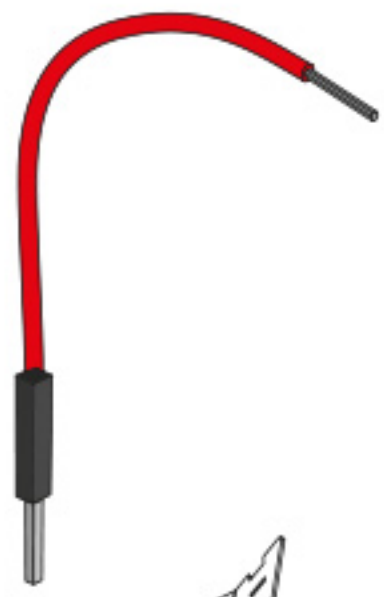








80 mm

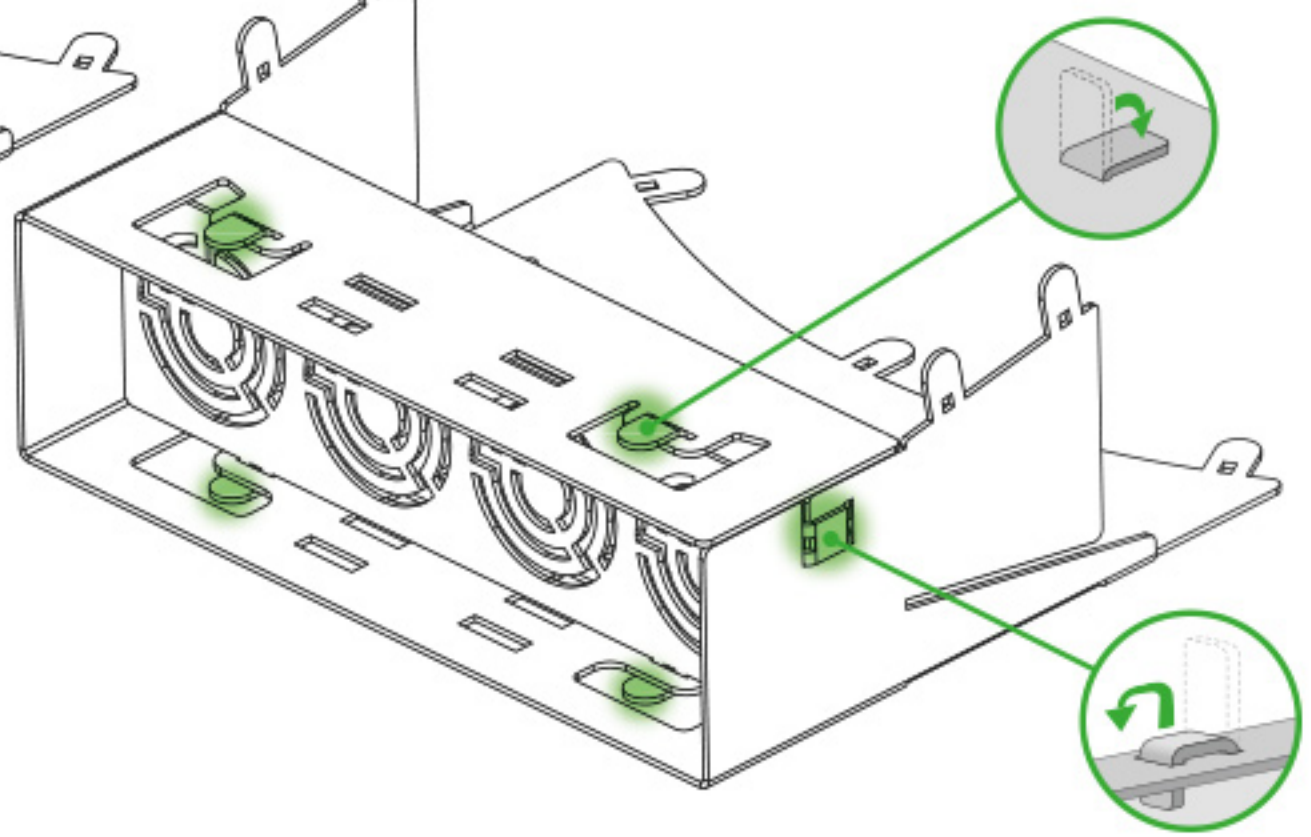
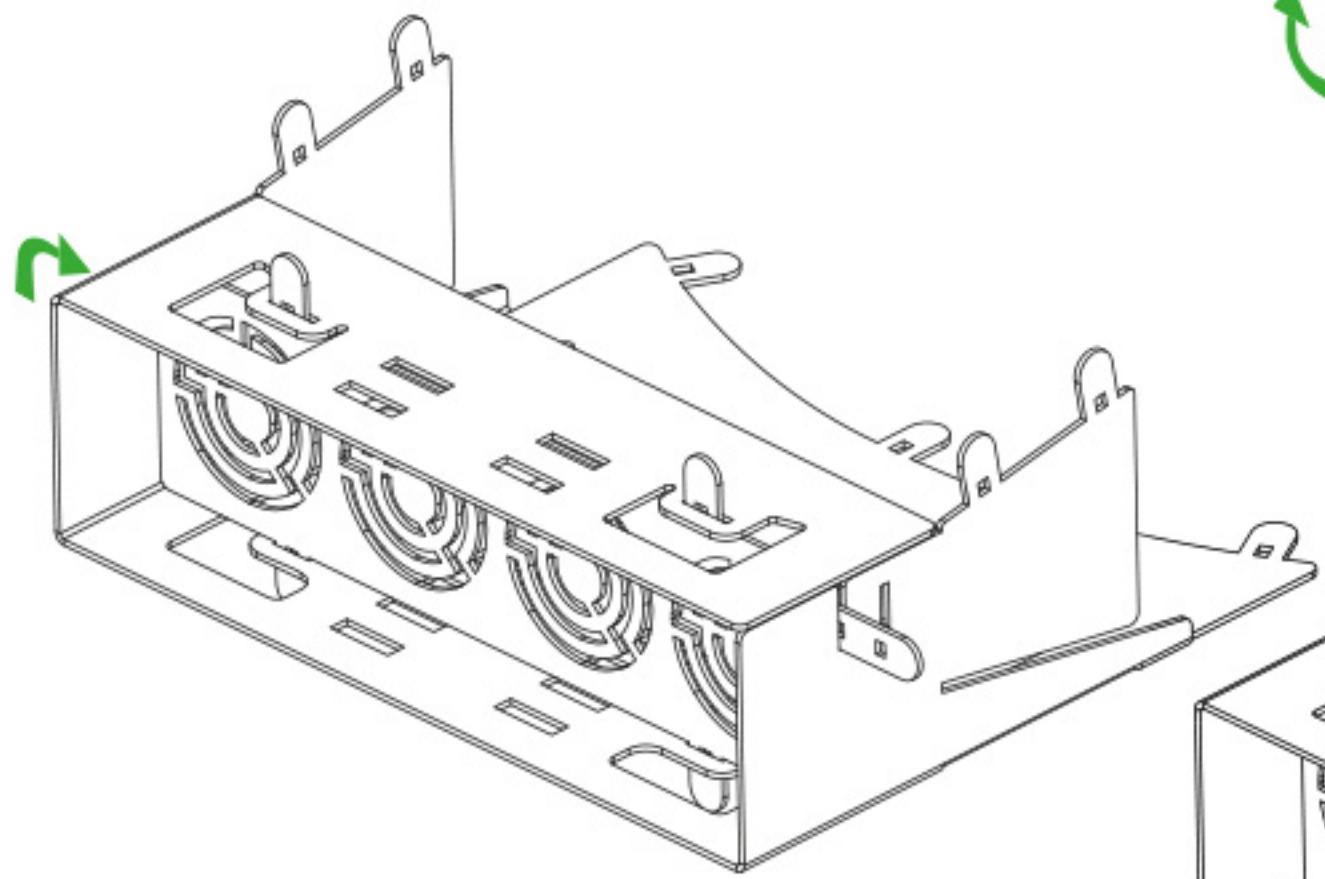
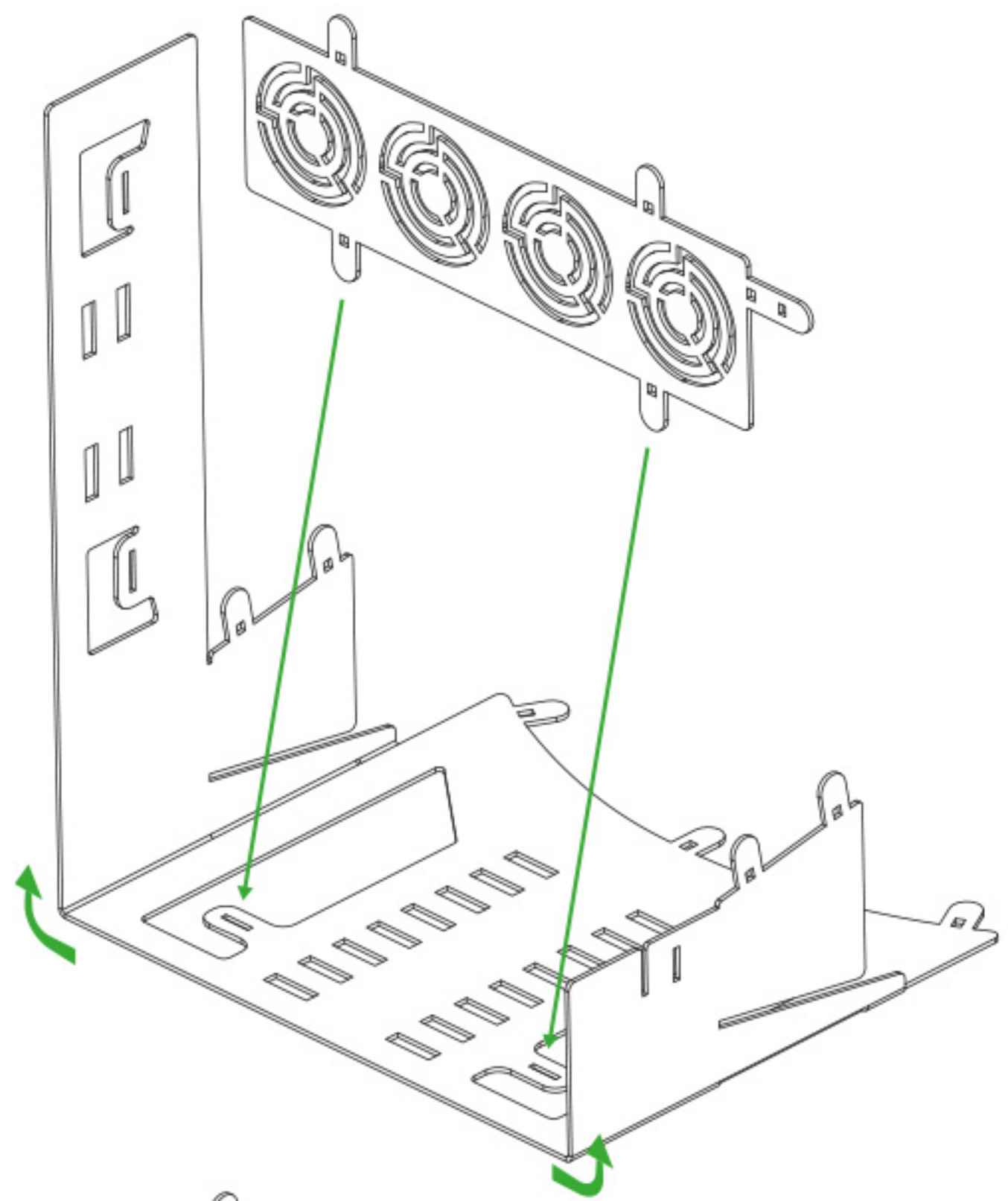


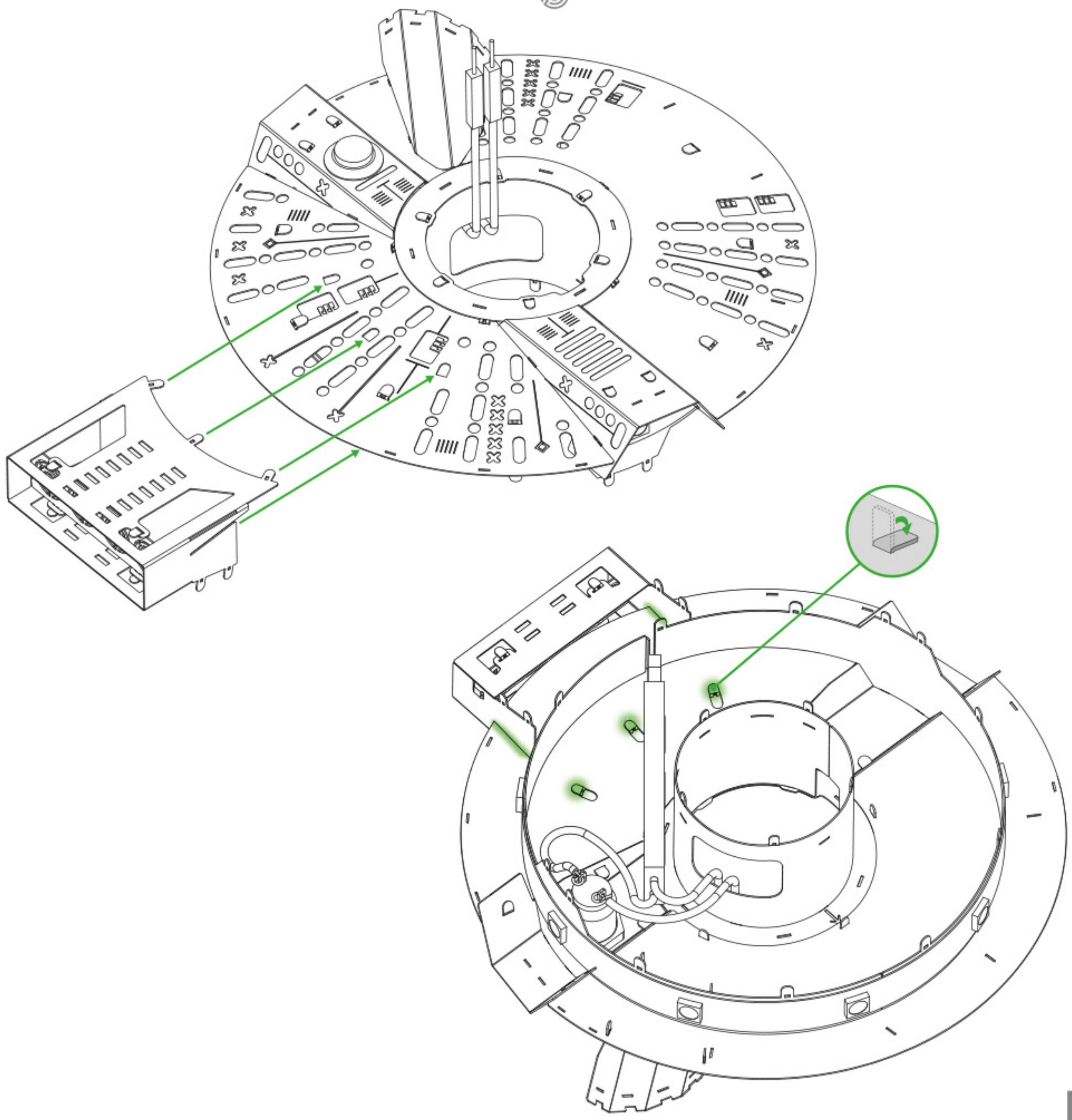


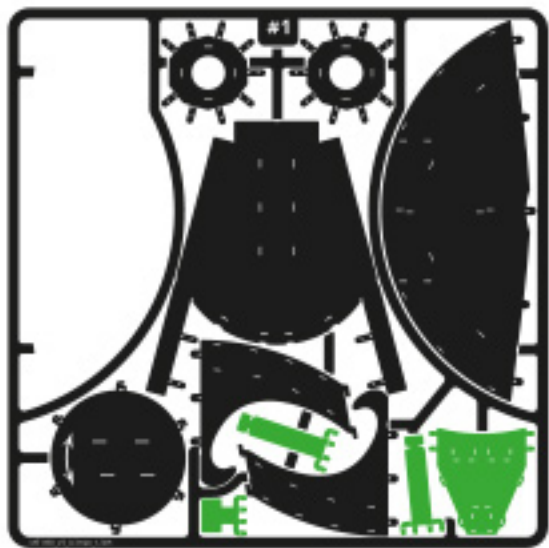
#2



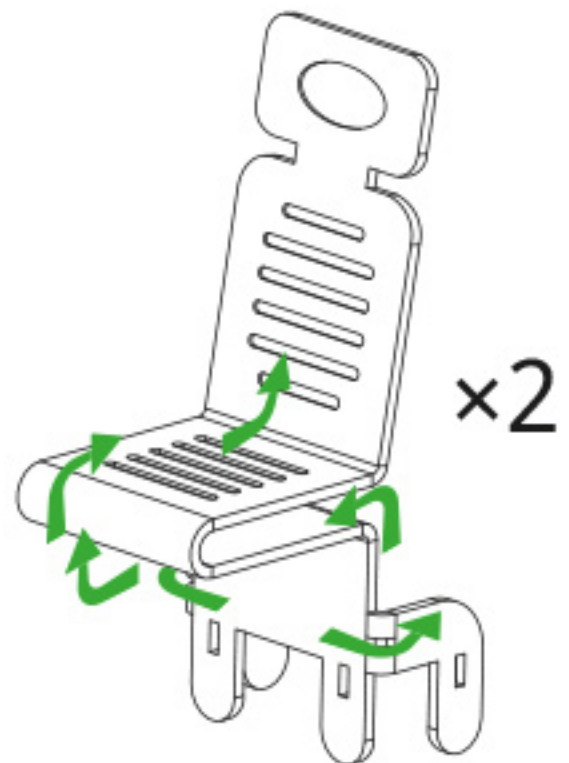
#4



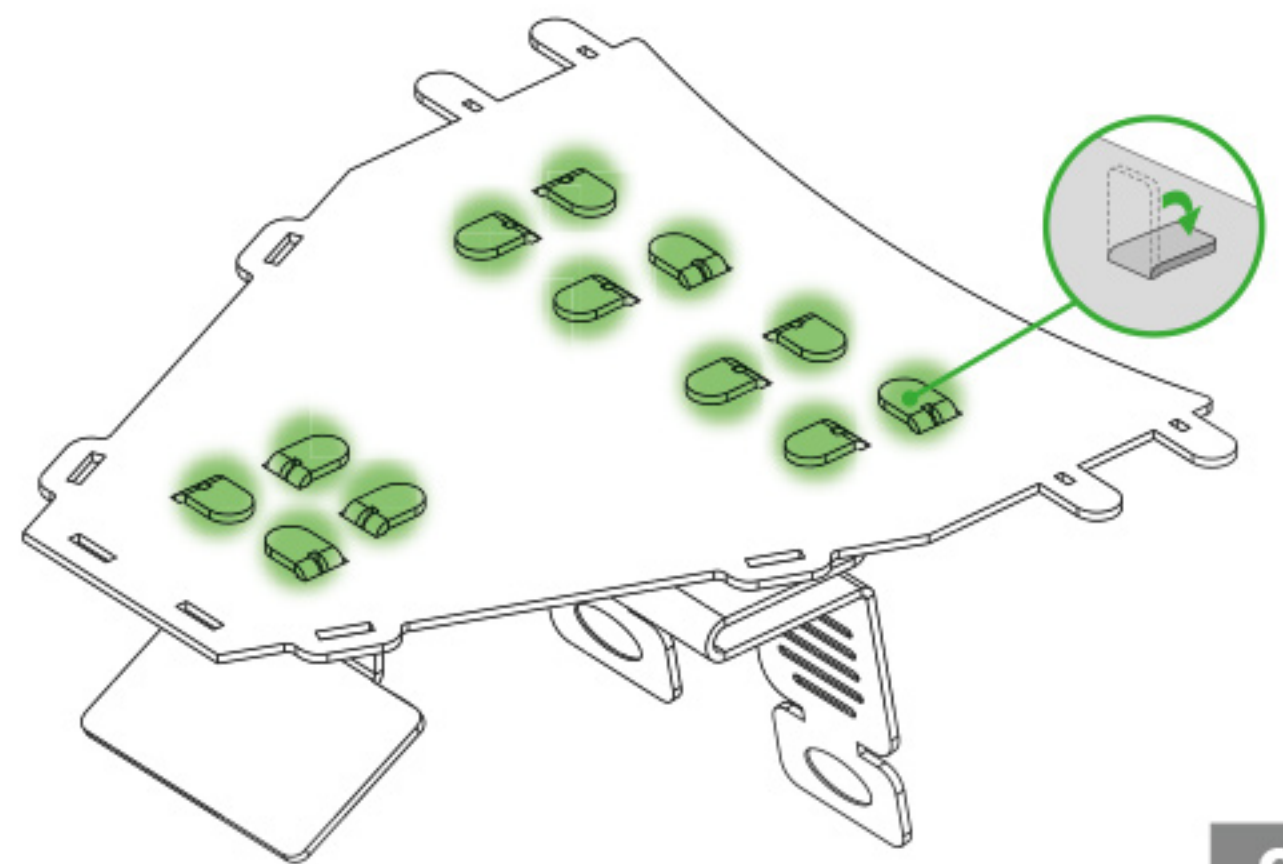
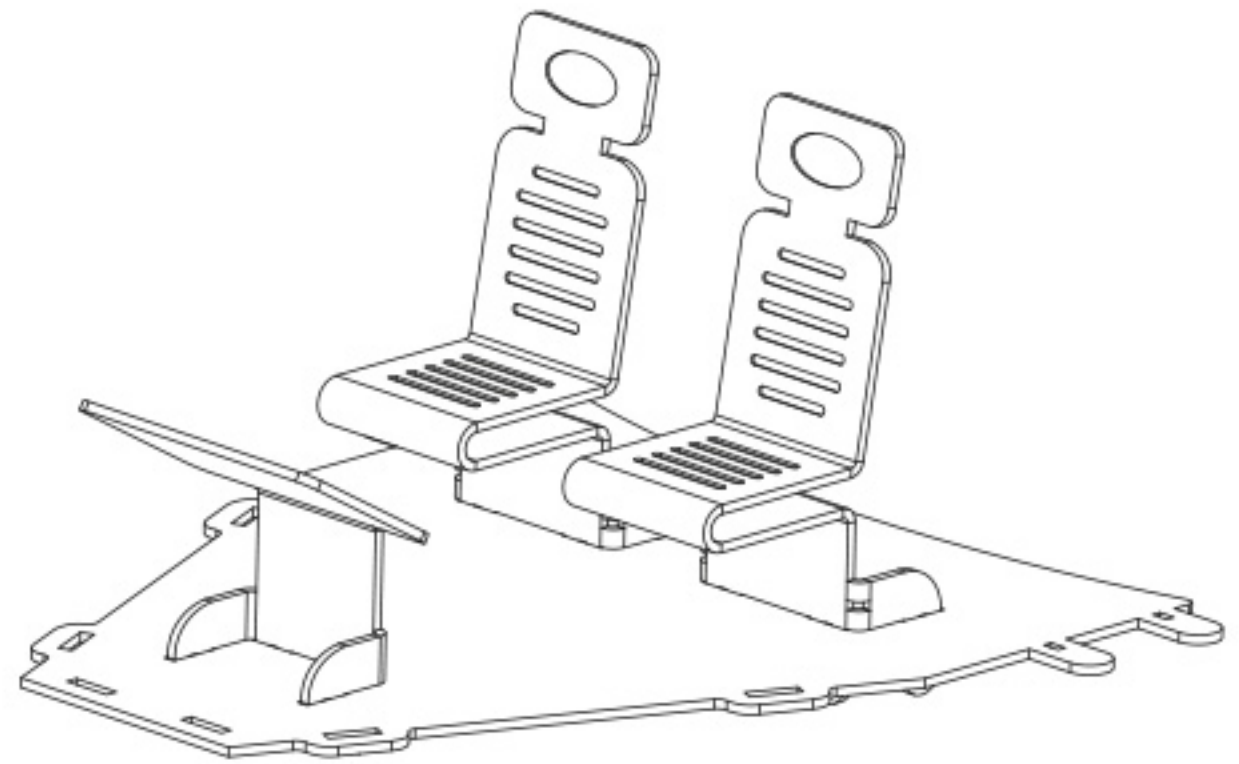
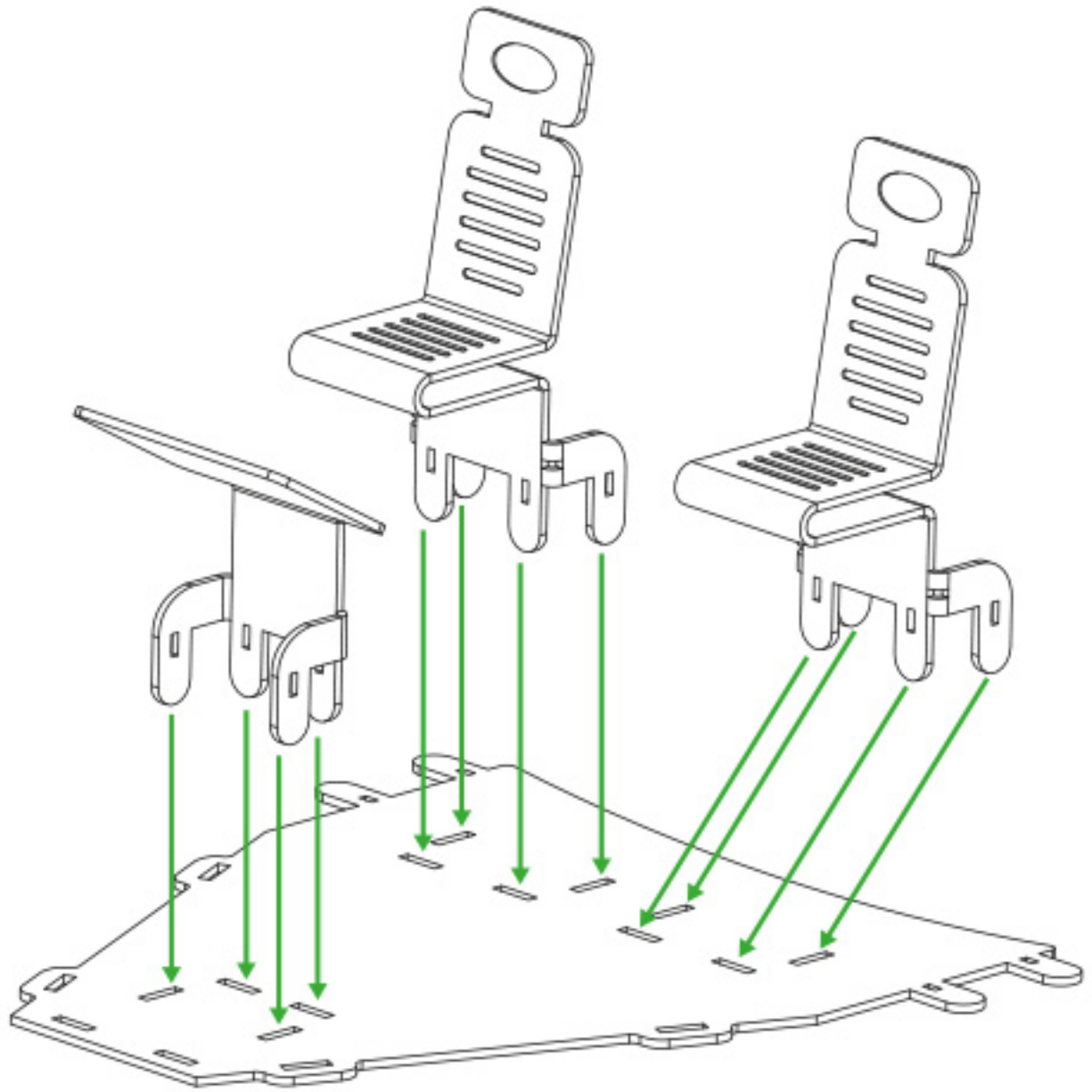
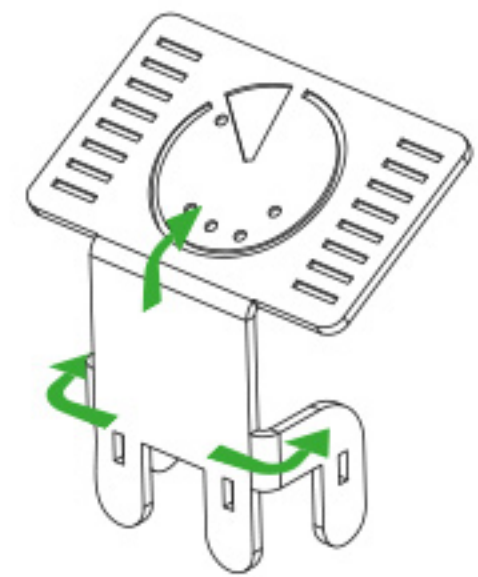


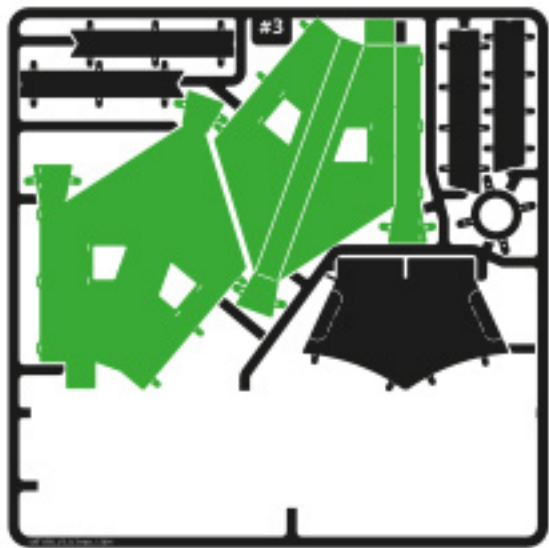


#1

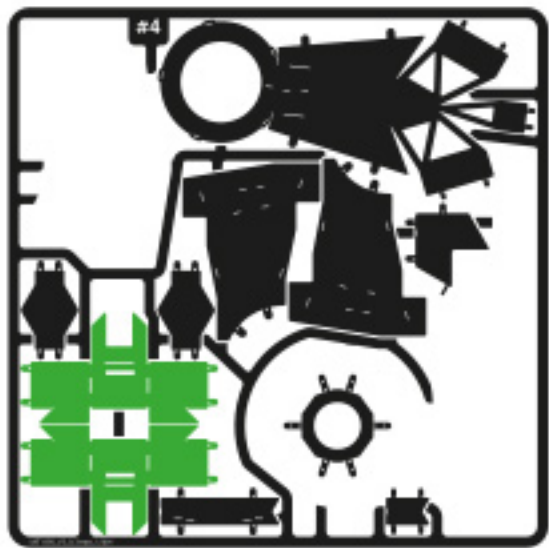


x2

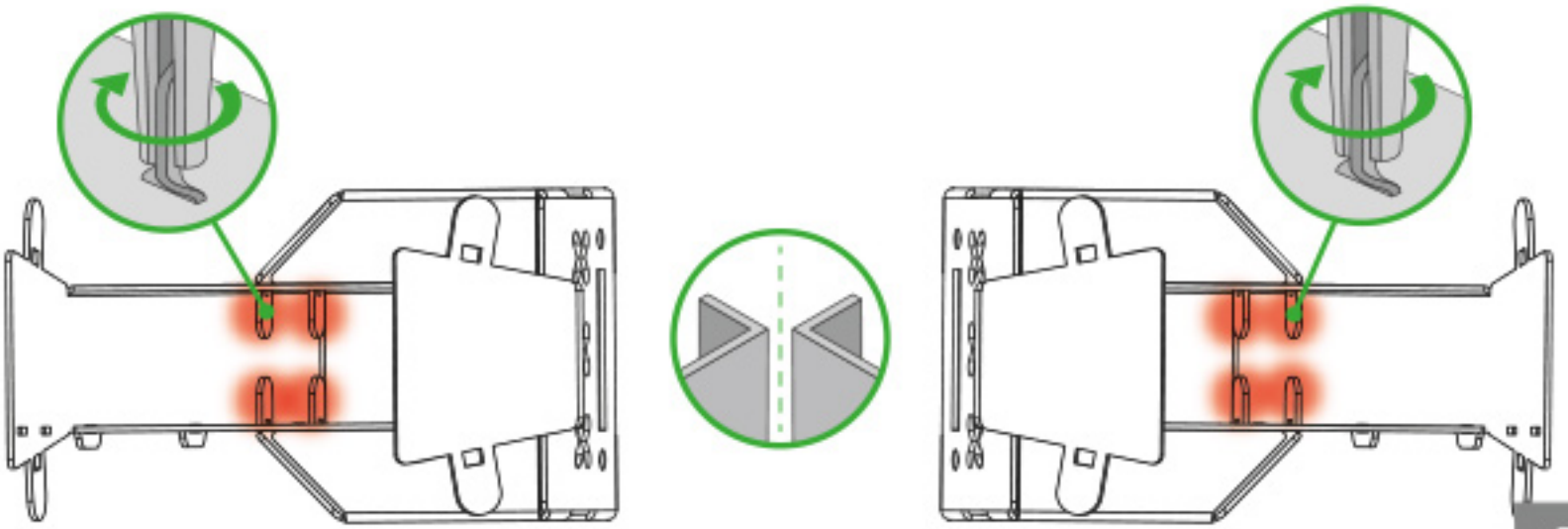
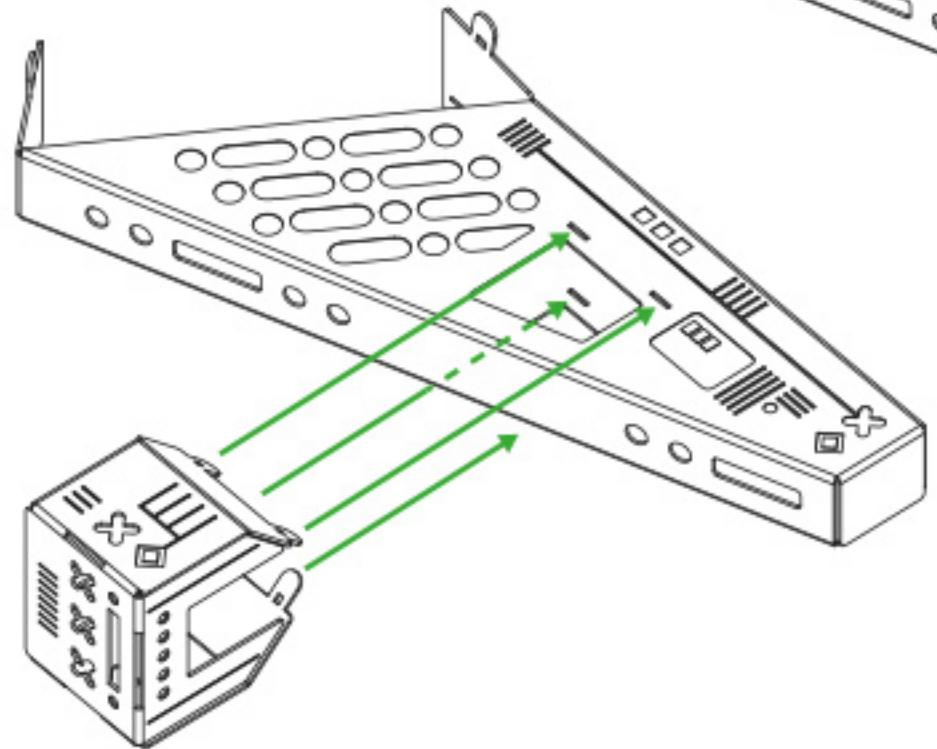
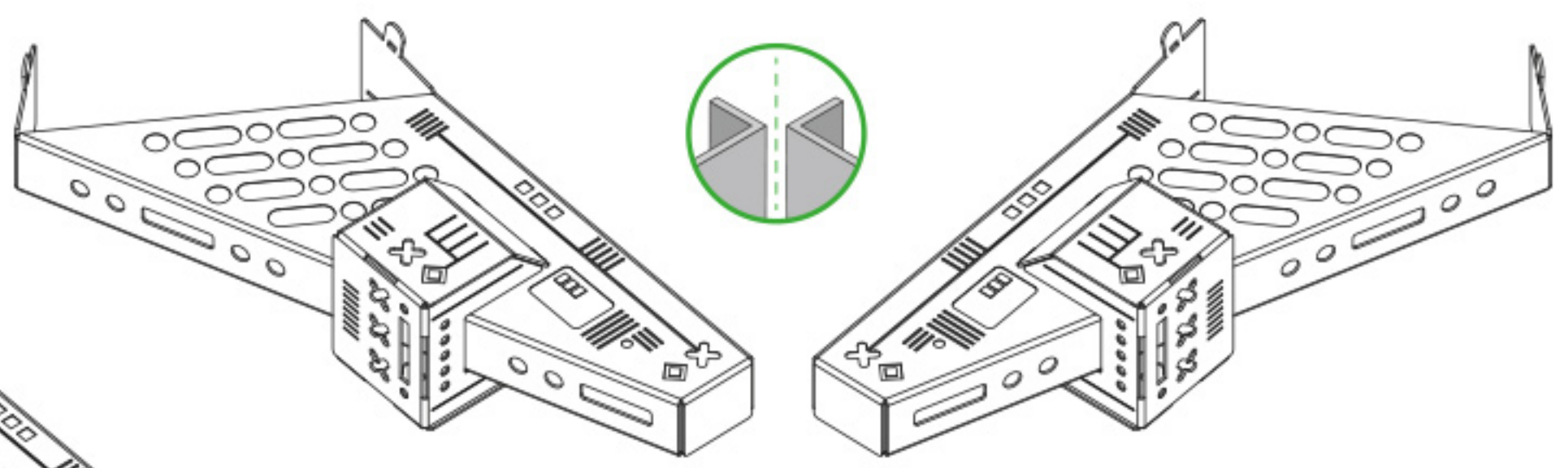
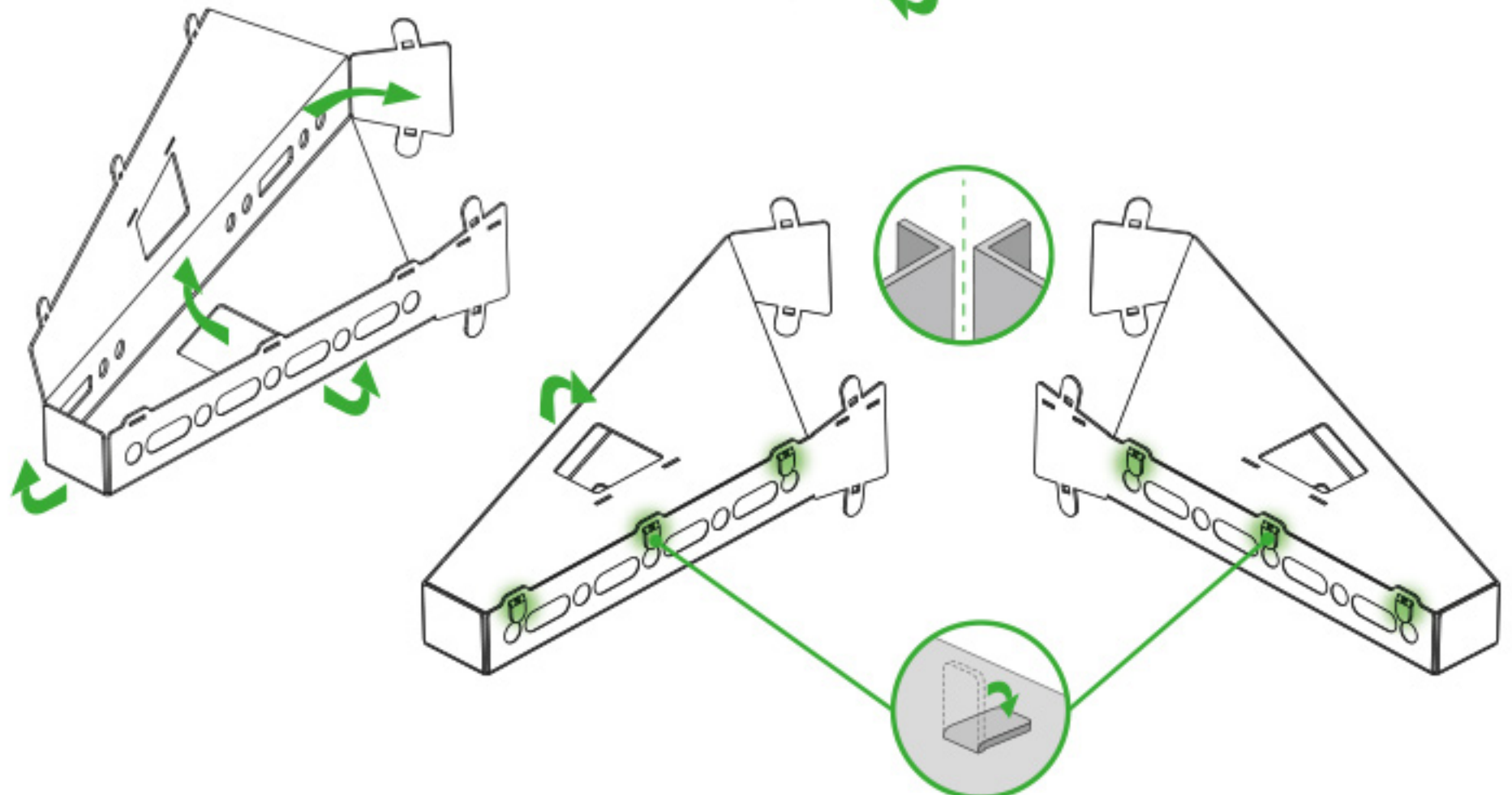
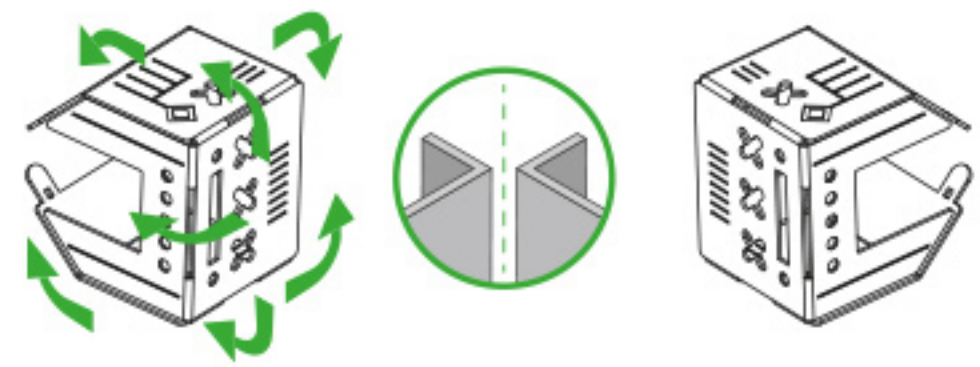


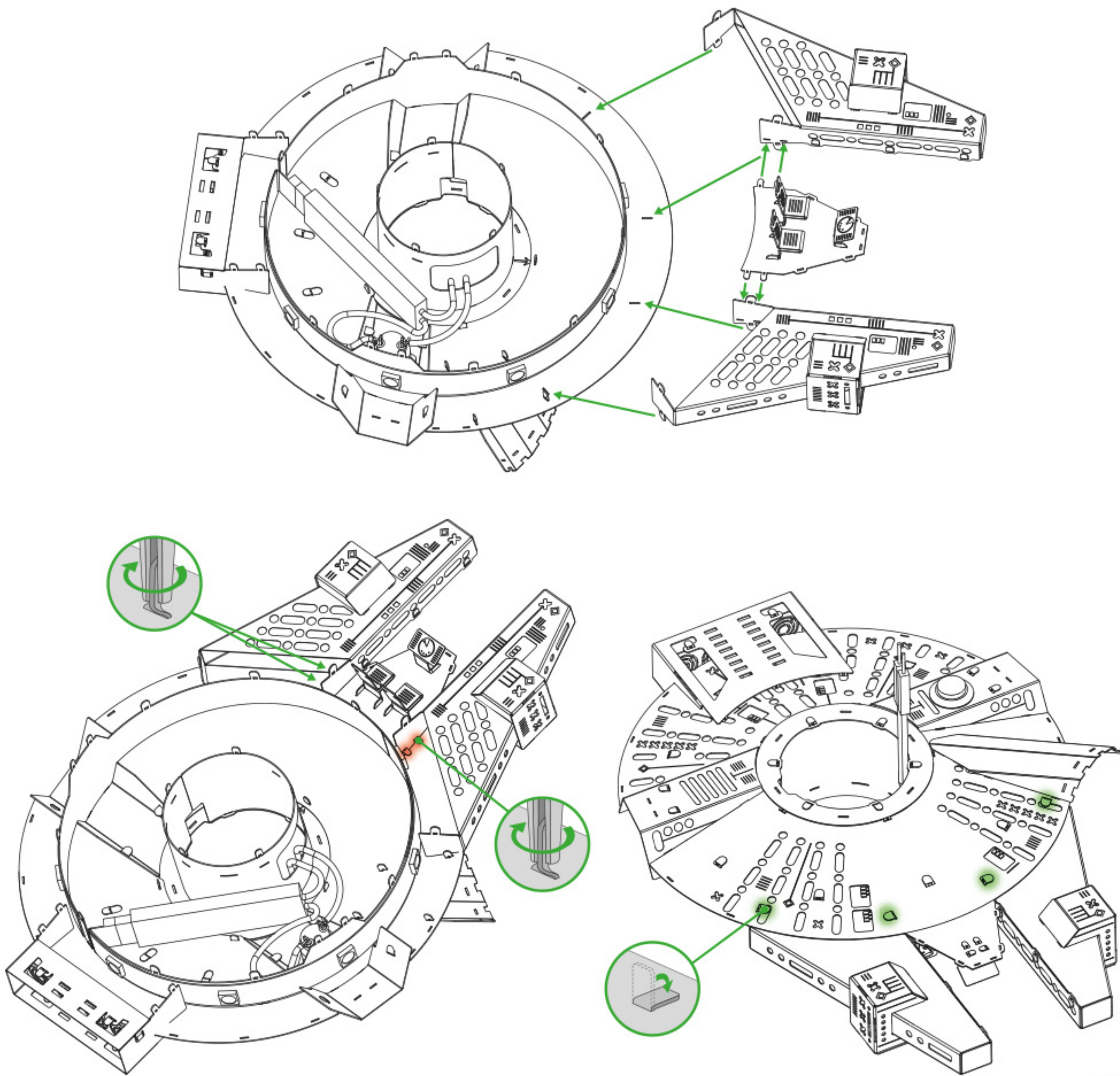


#3



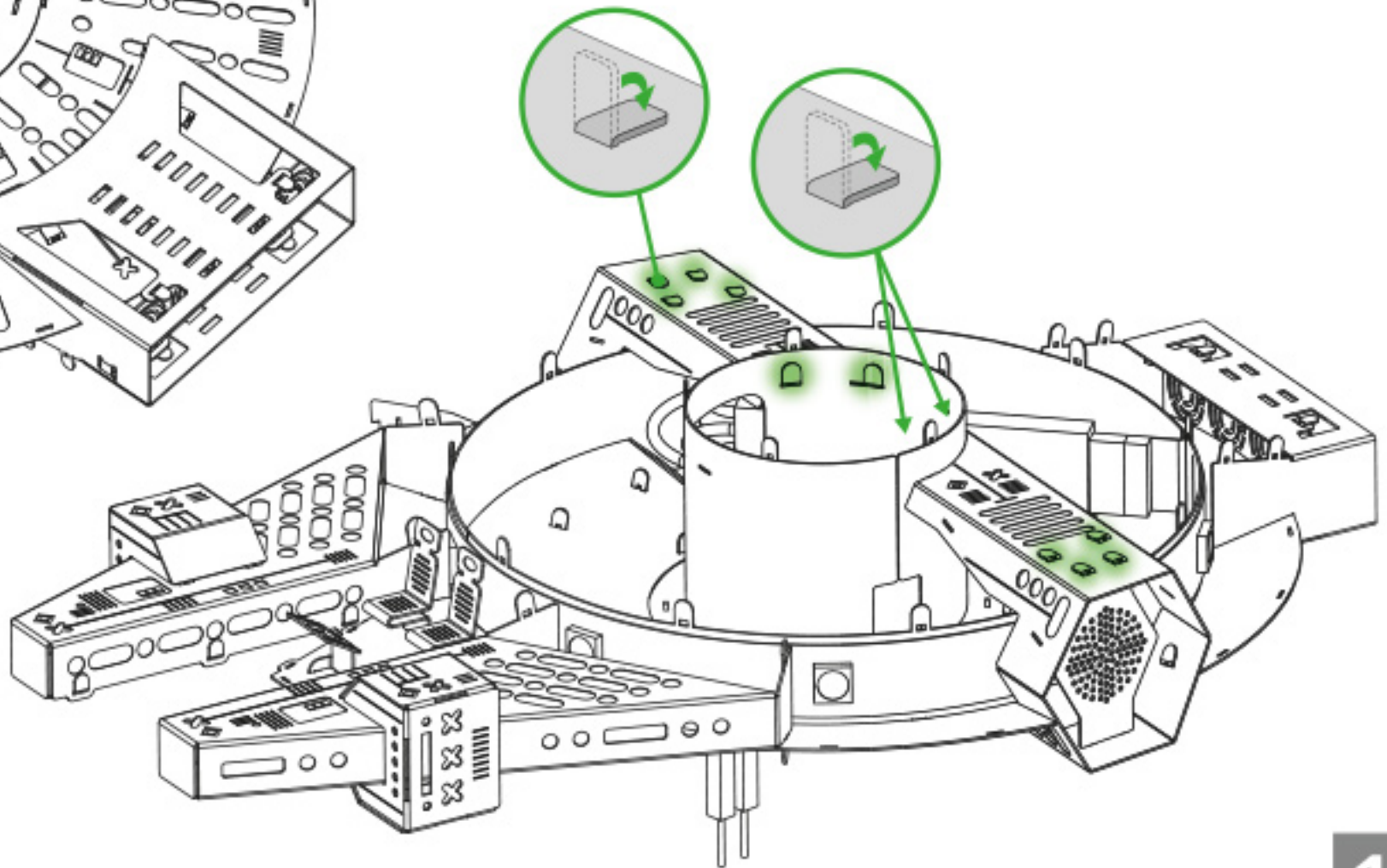
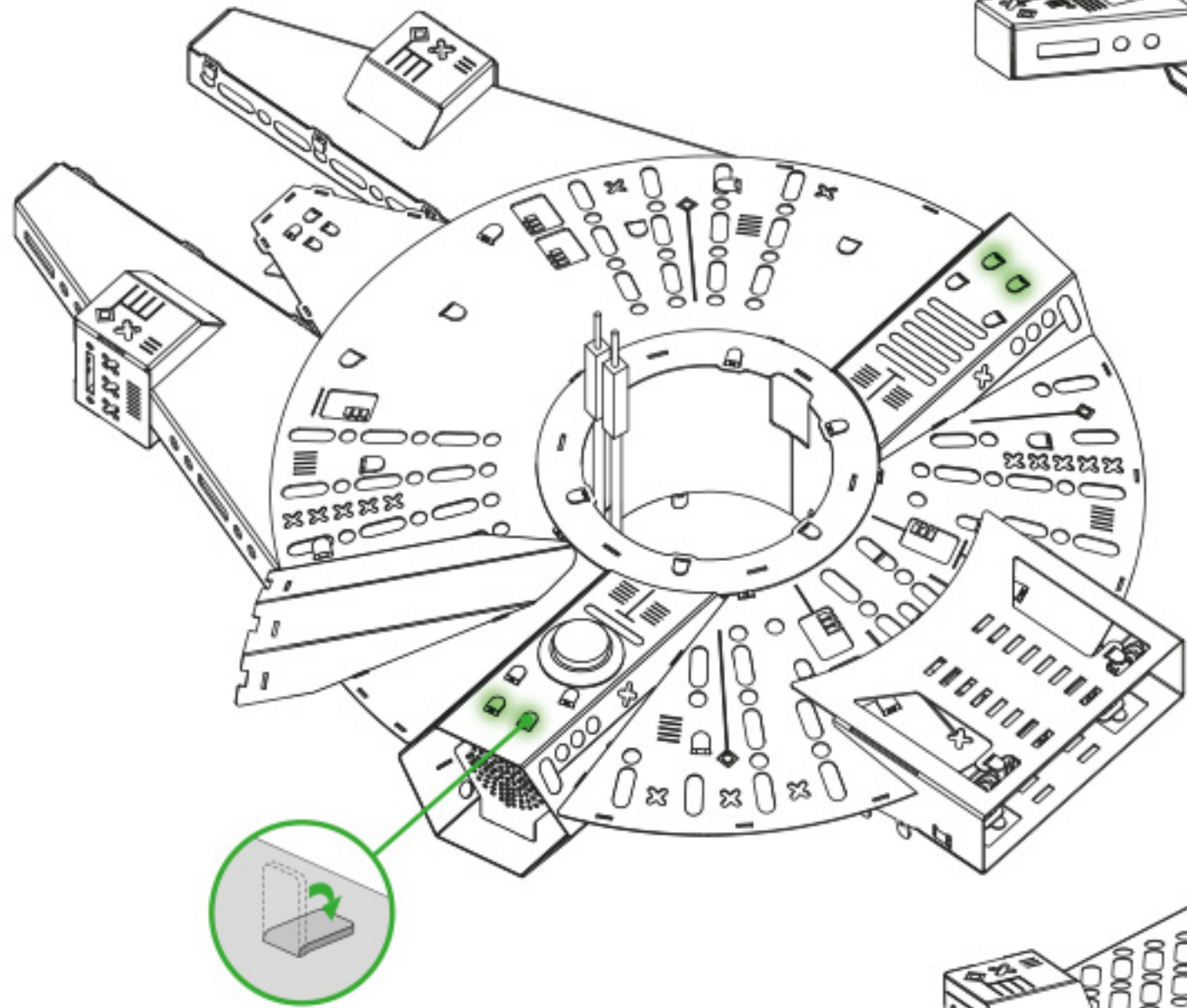
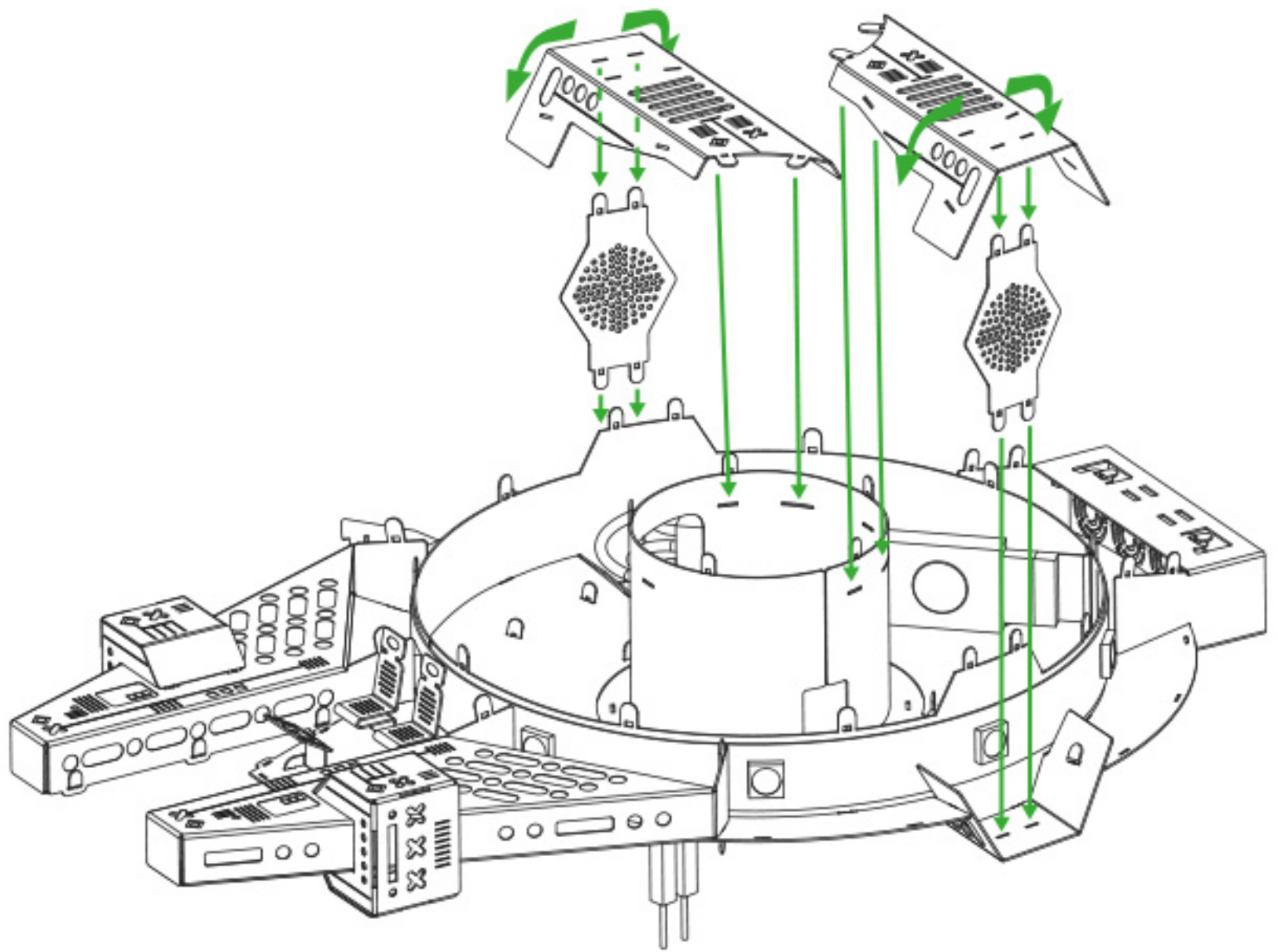
#4

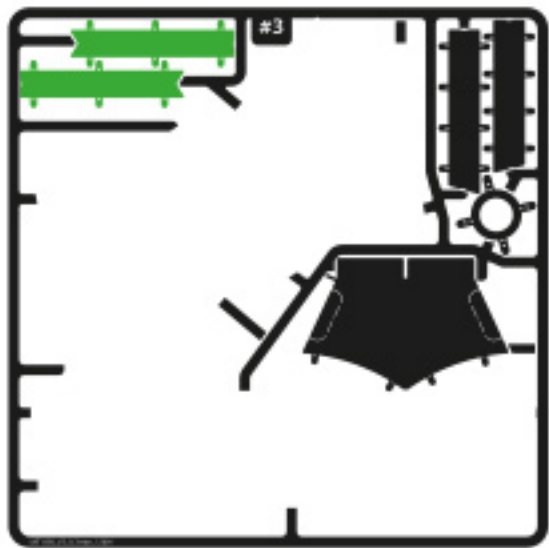




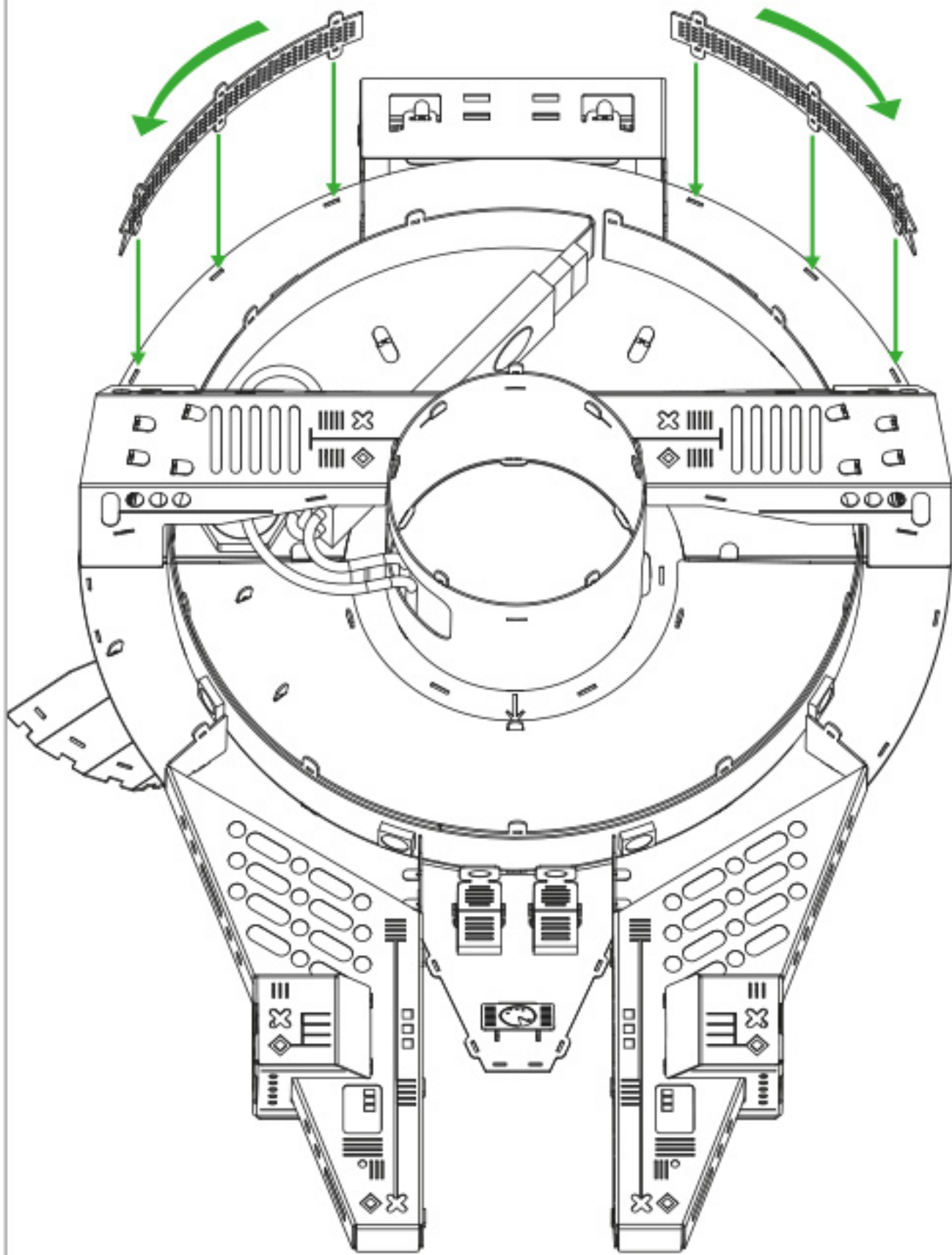
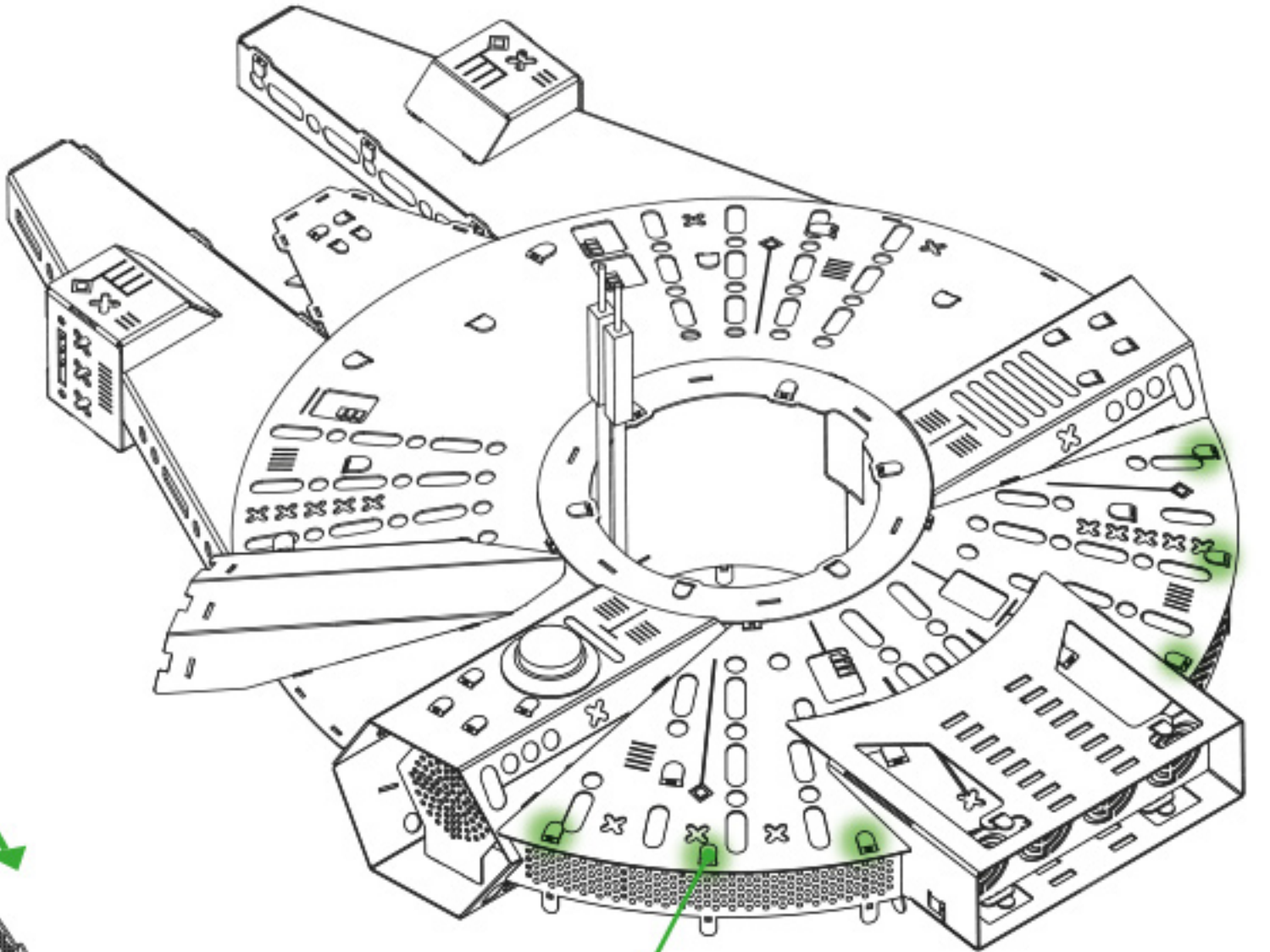


#4

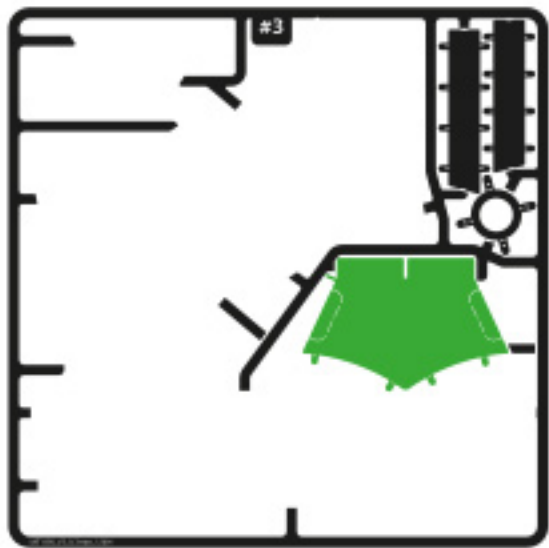




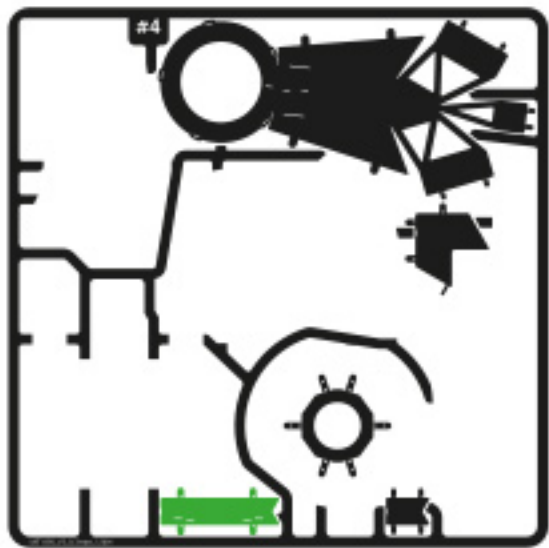
#3



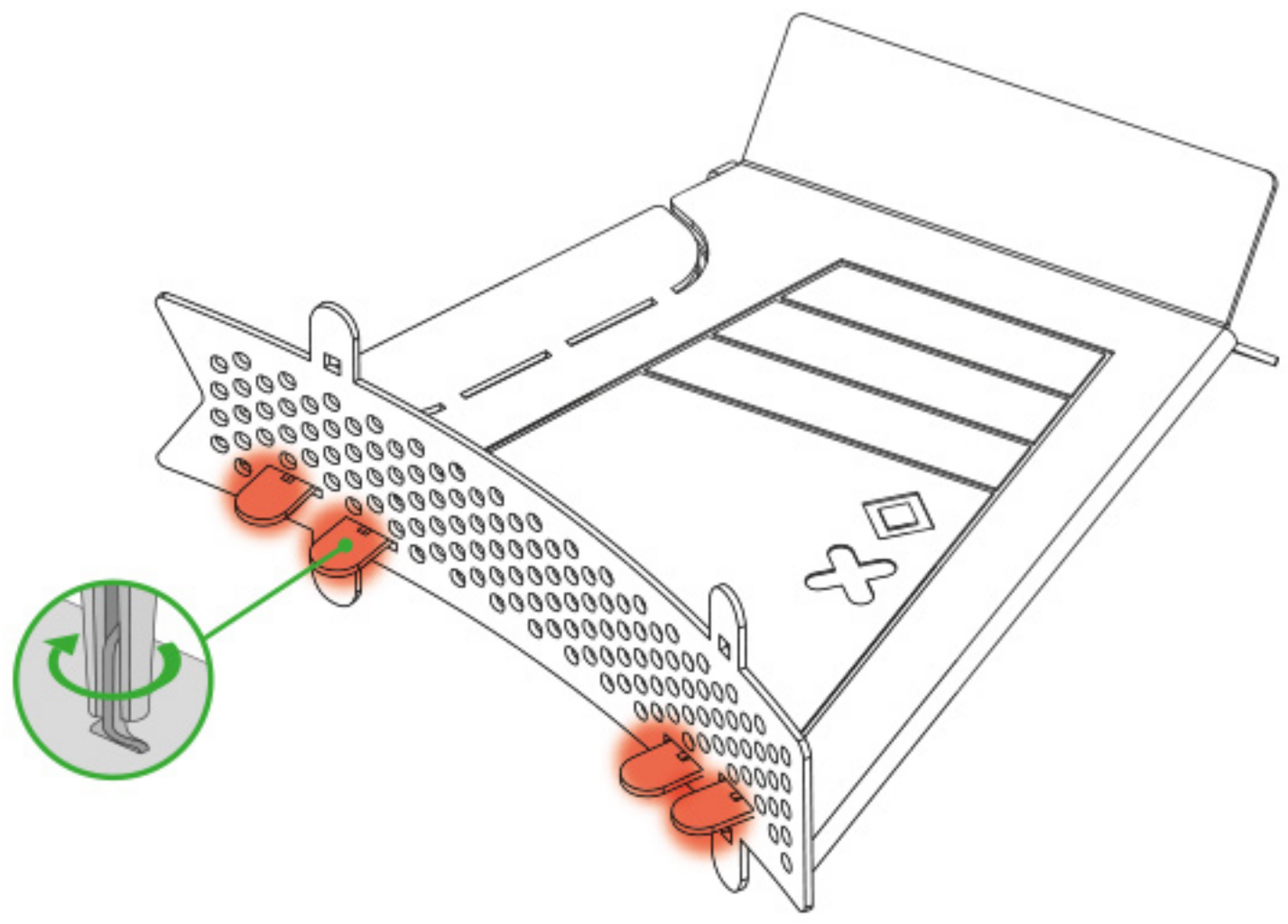
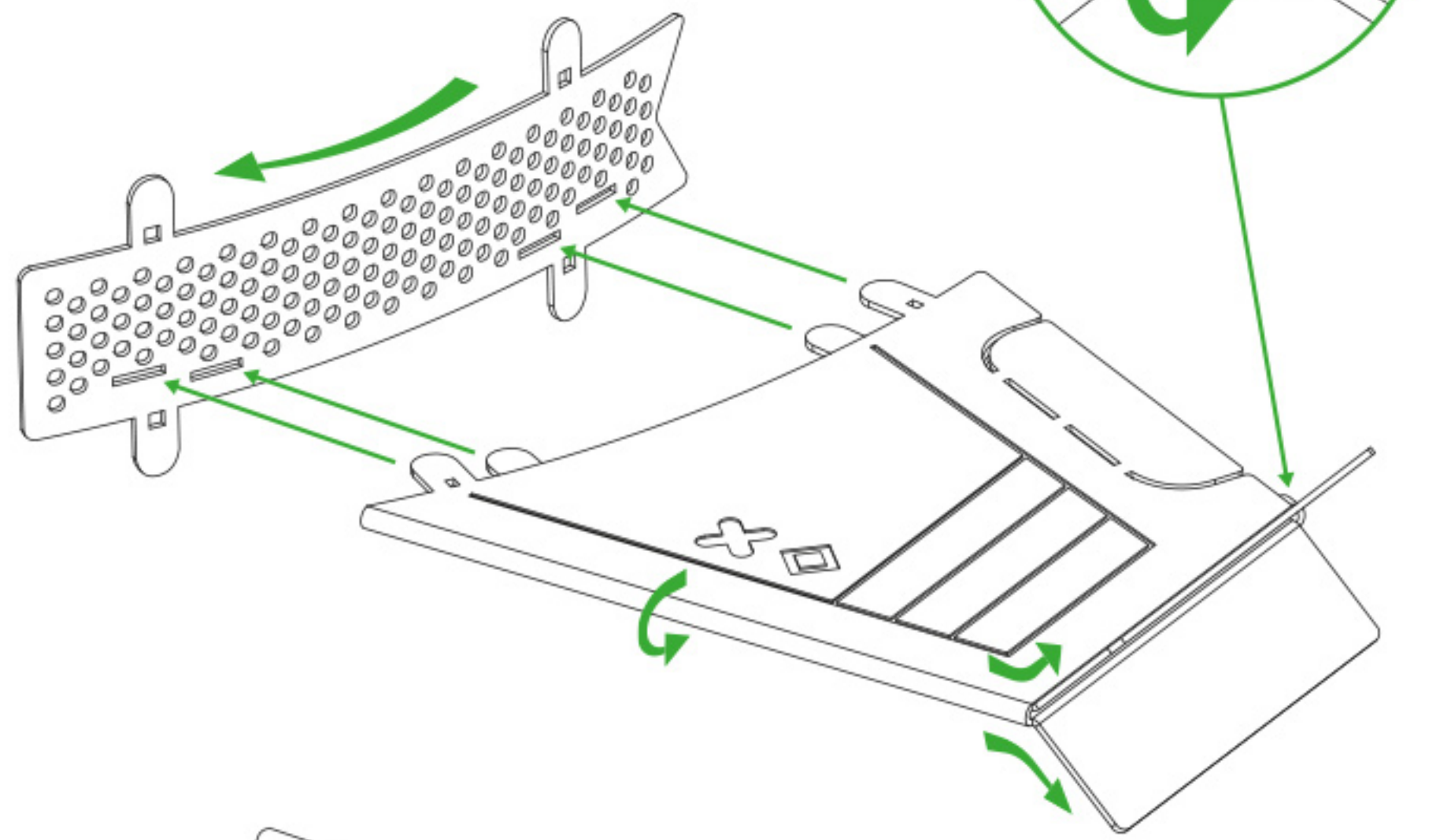


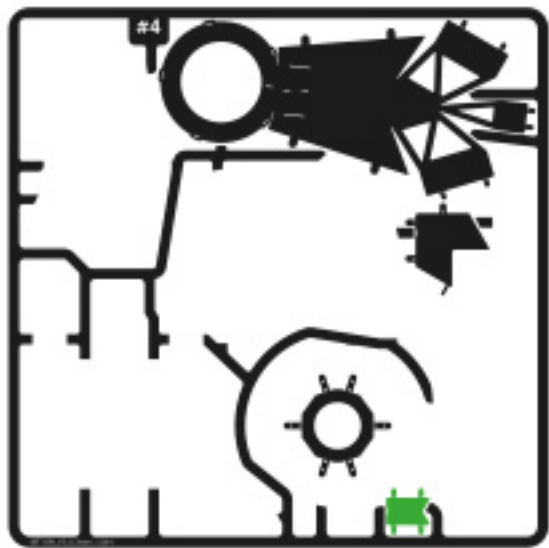


#3

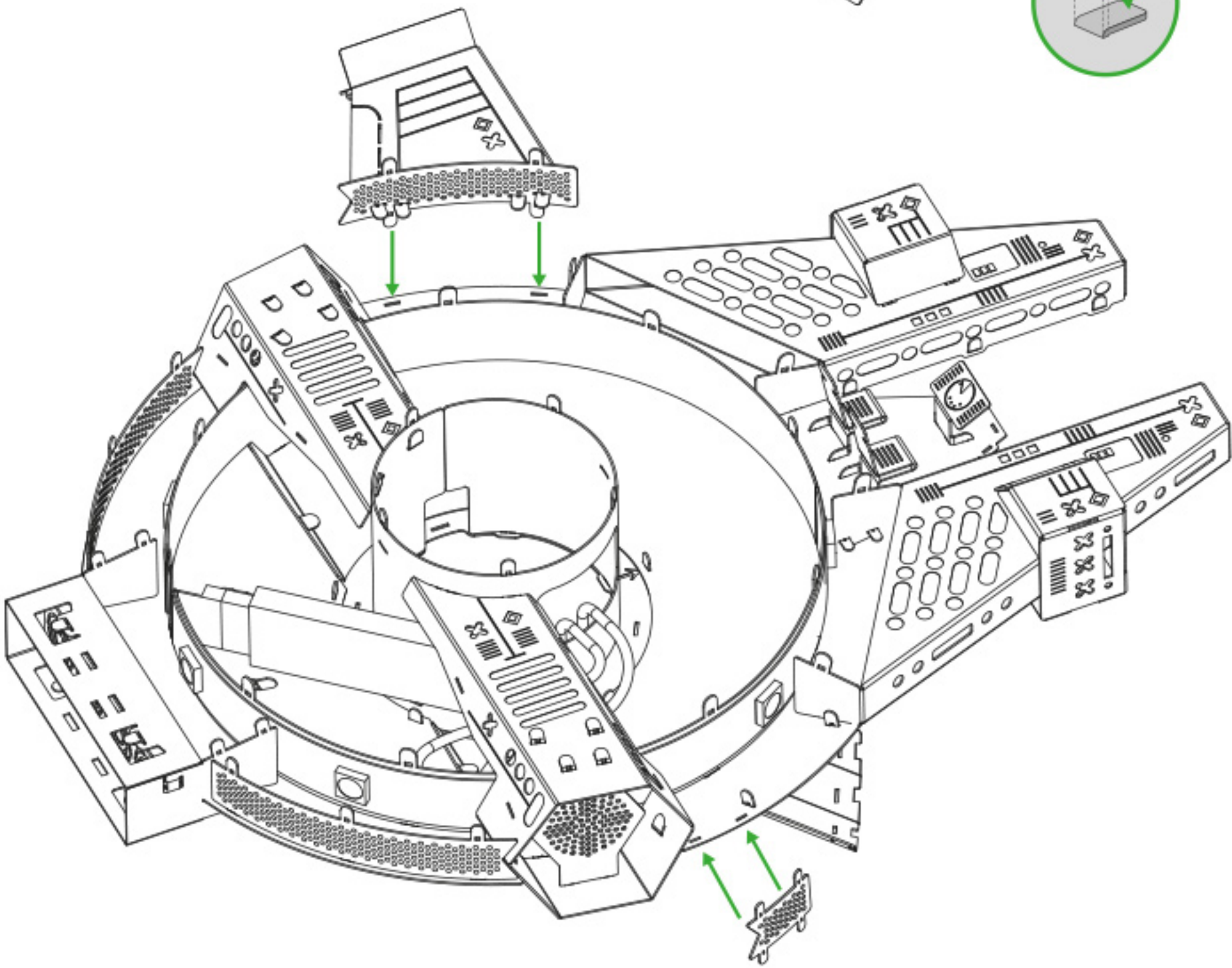
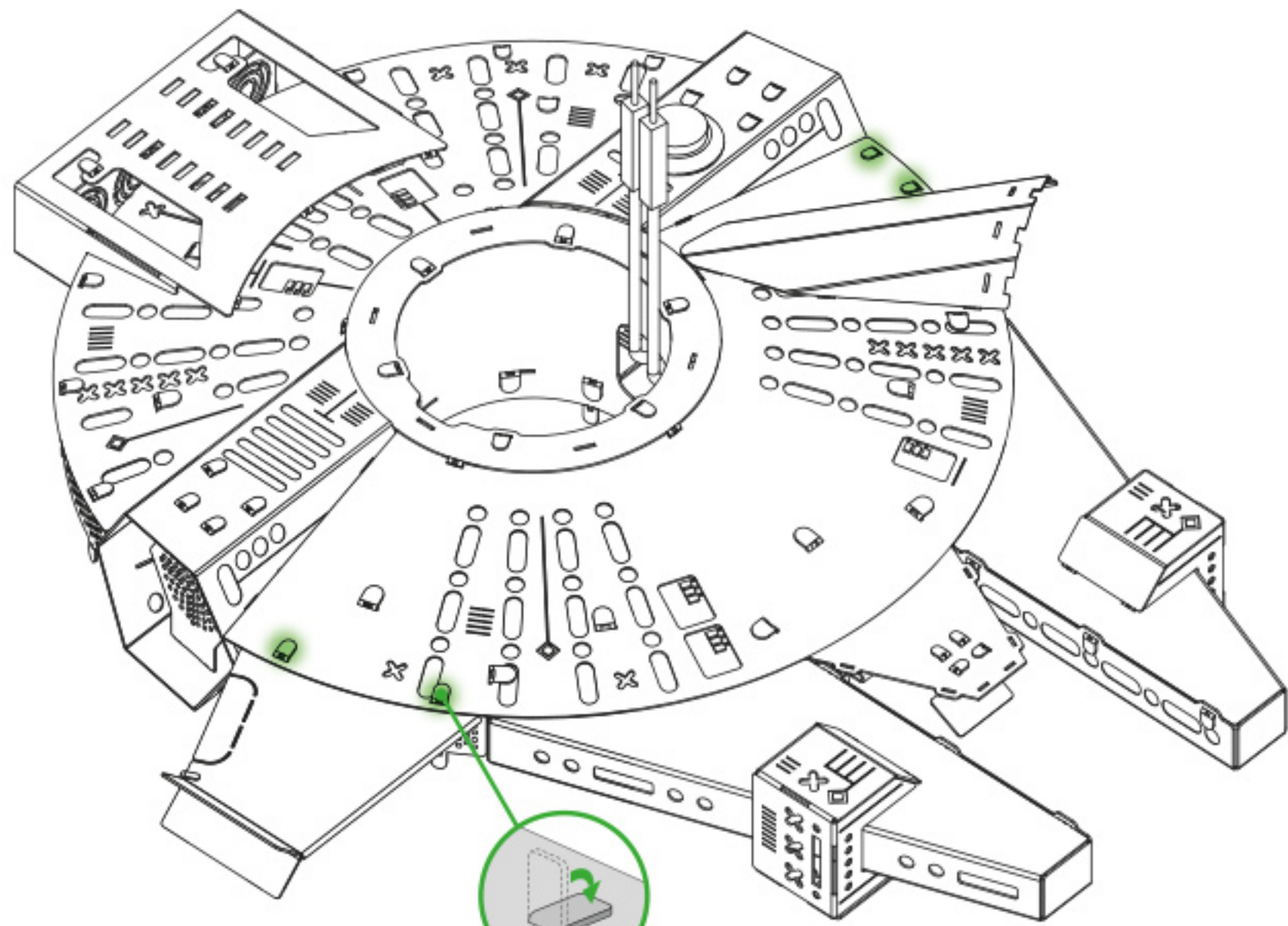


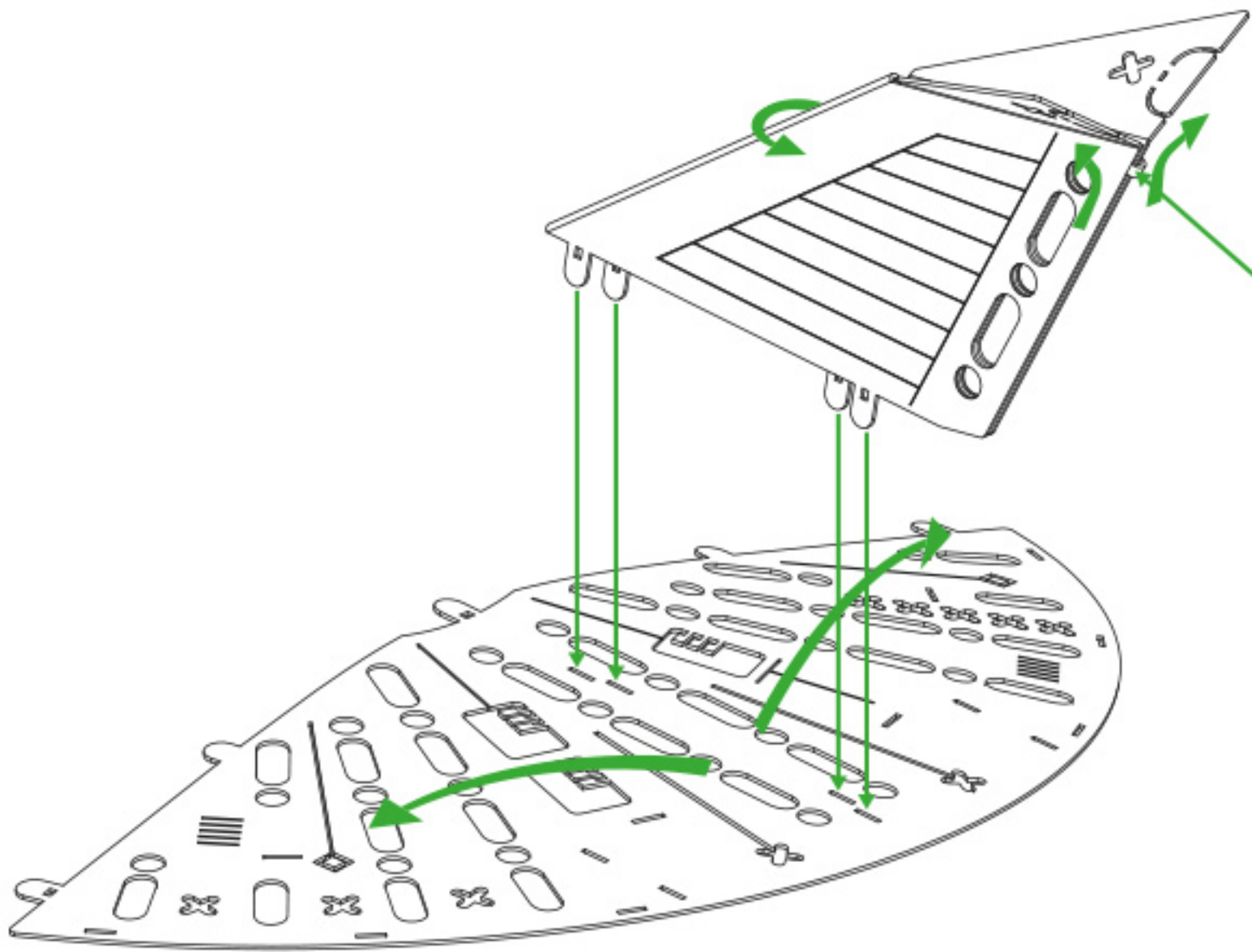
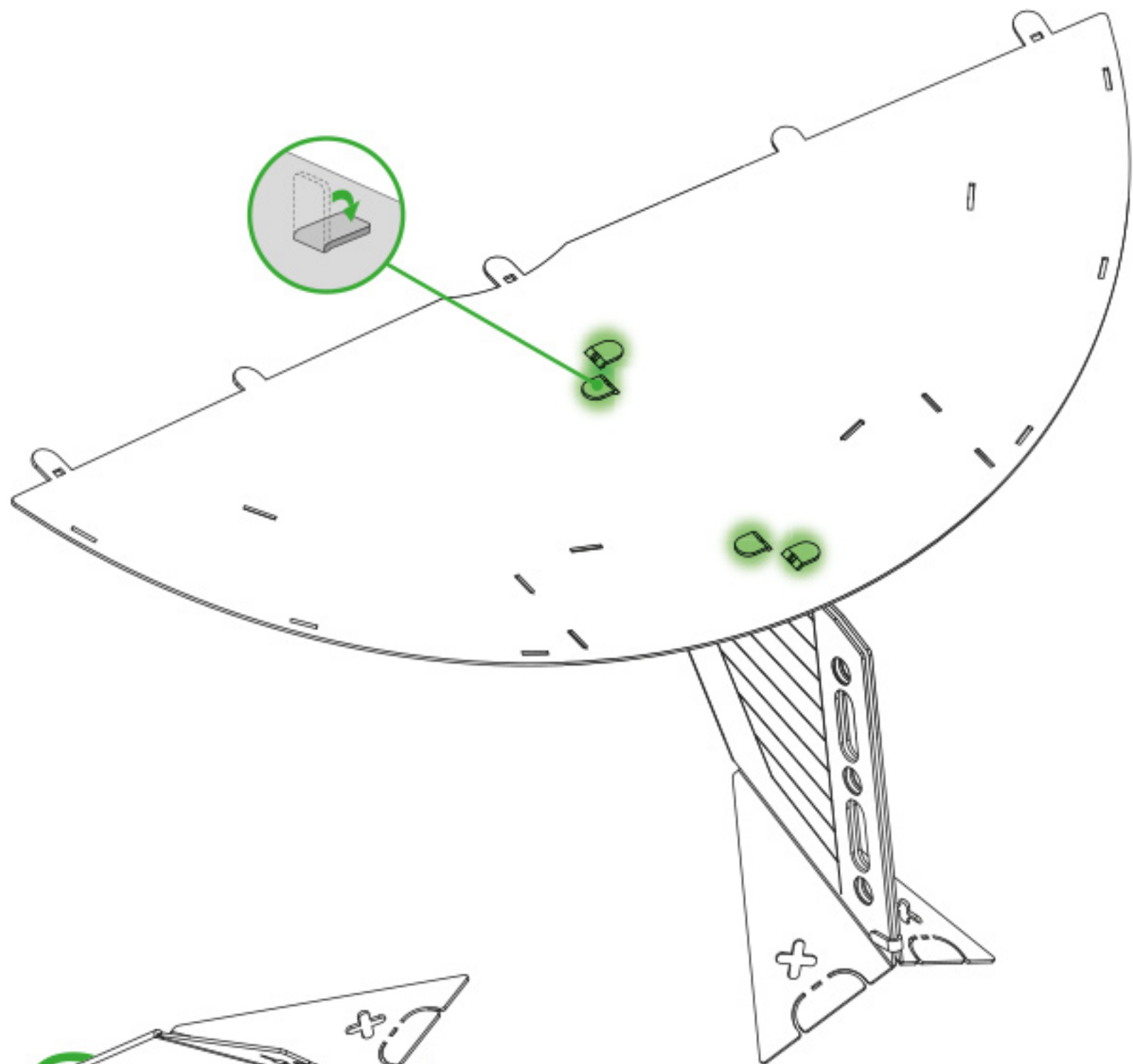
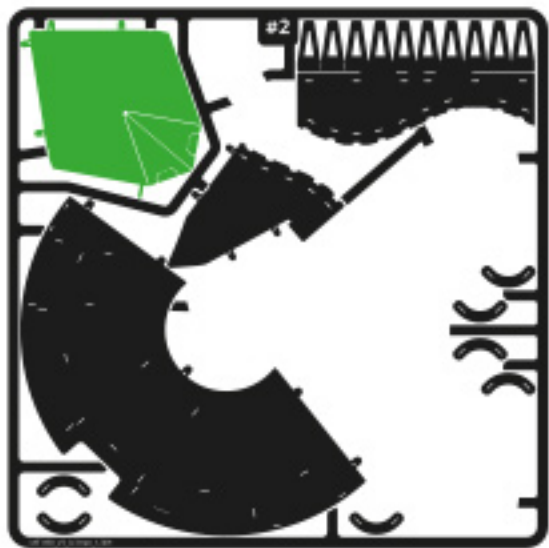
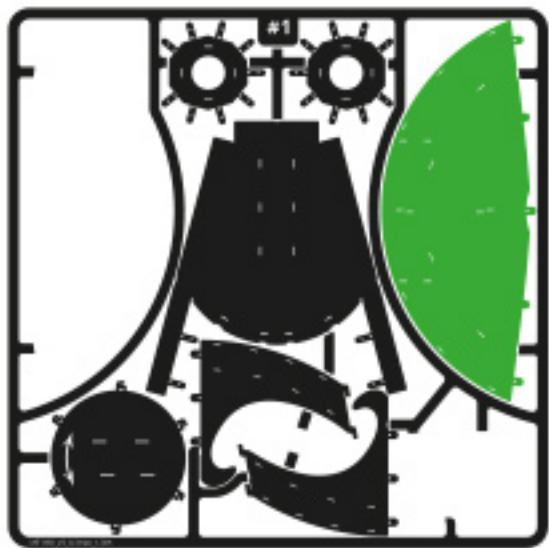
#4

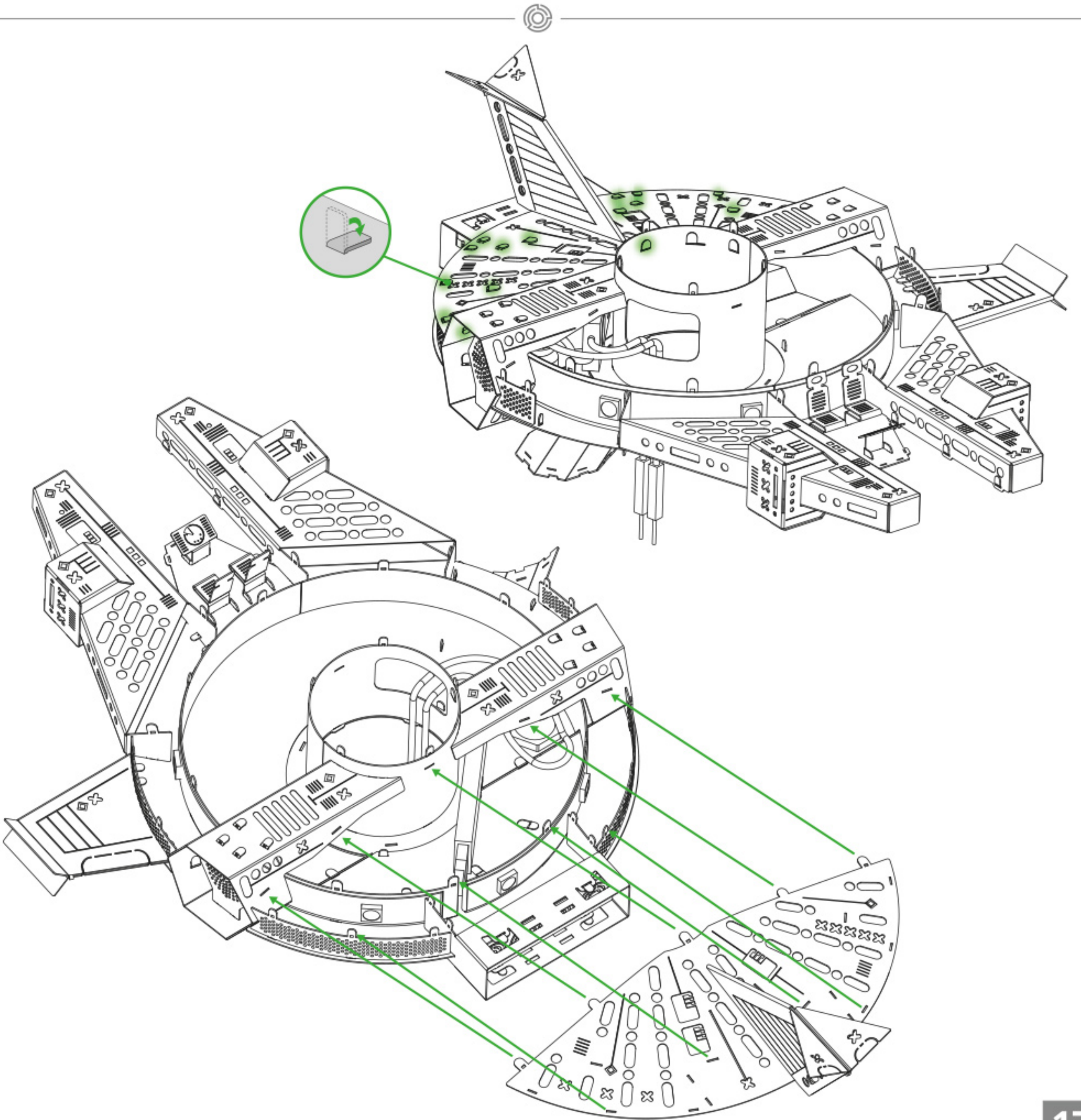




#4

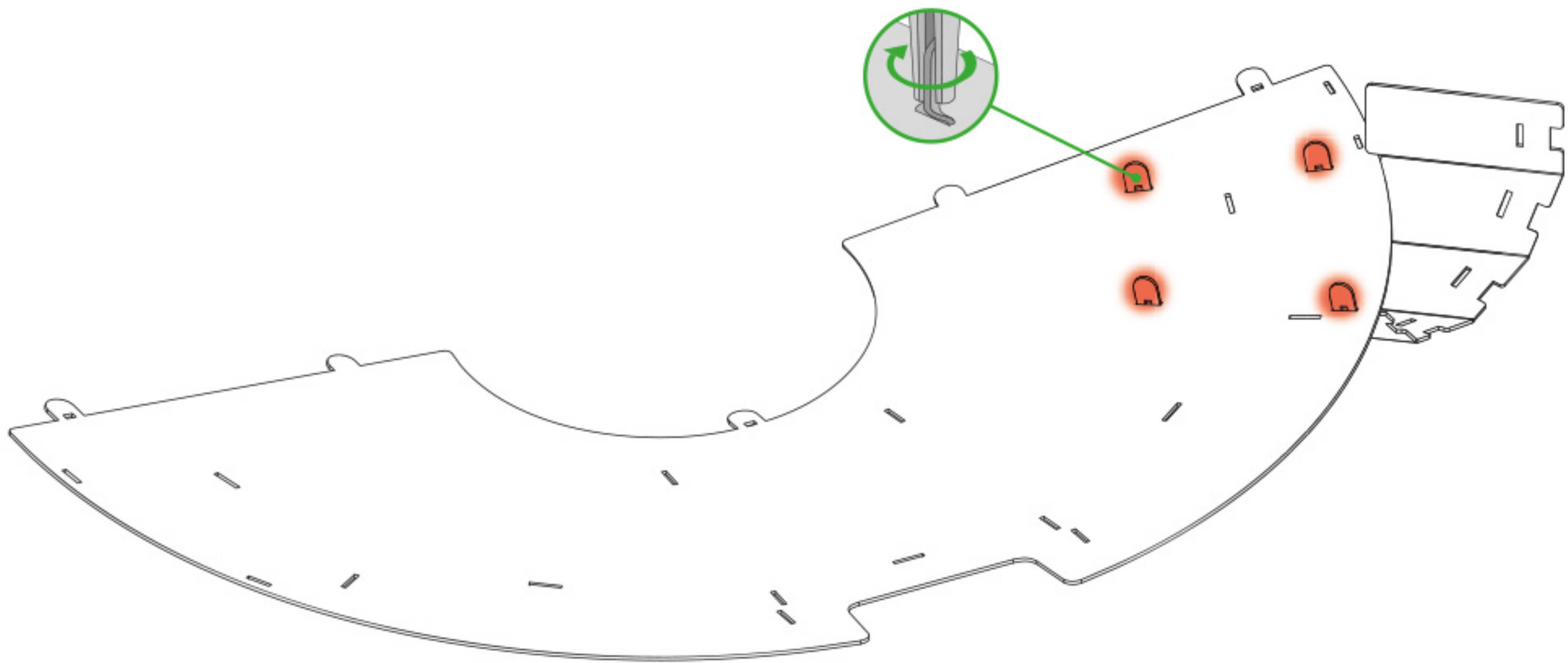
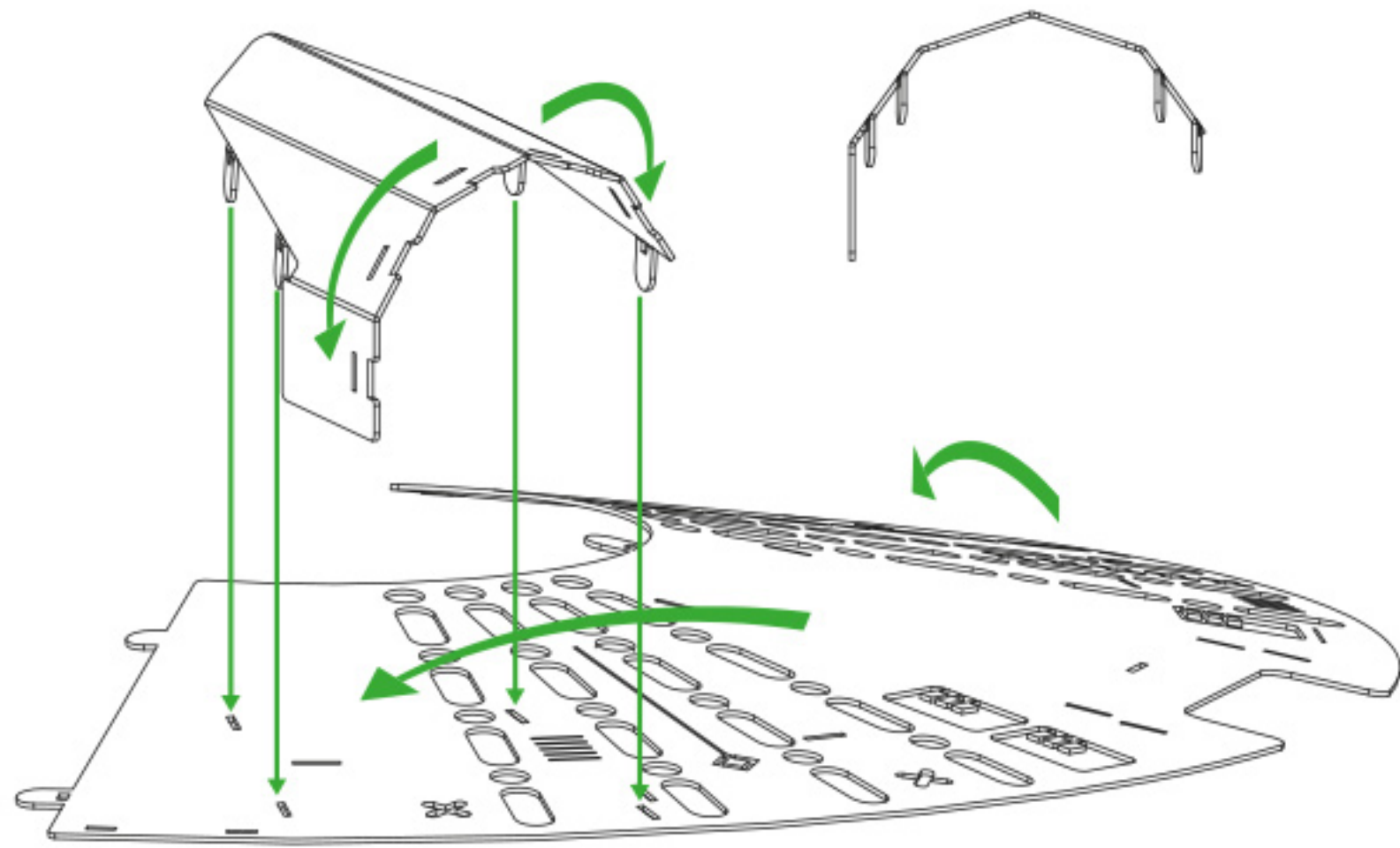


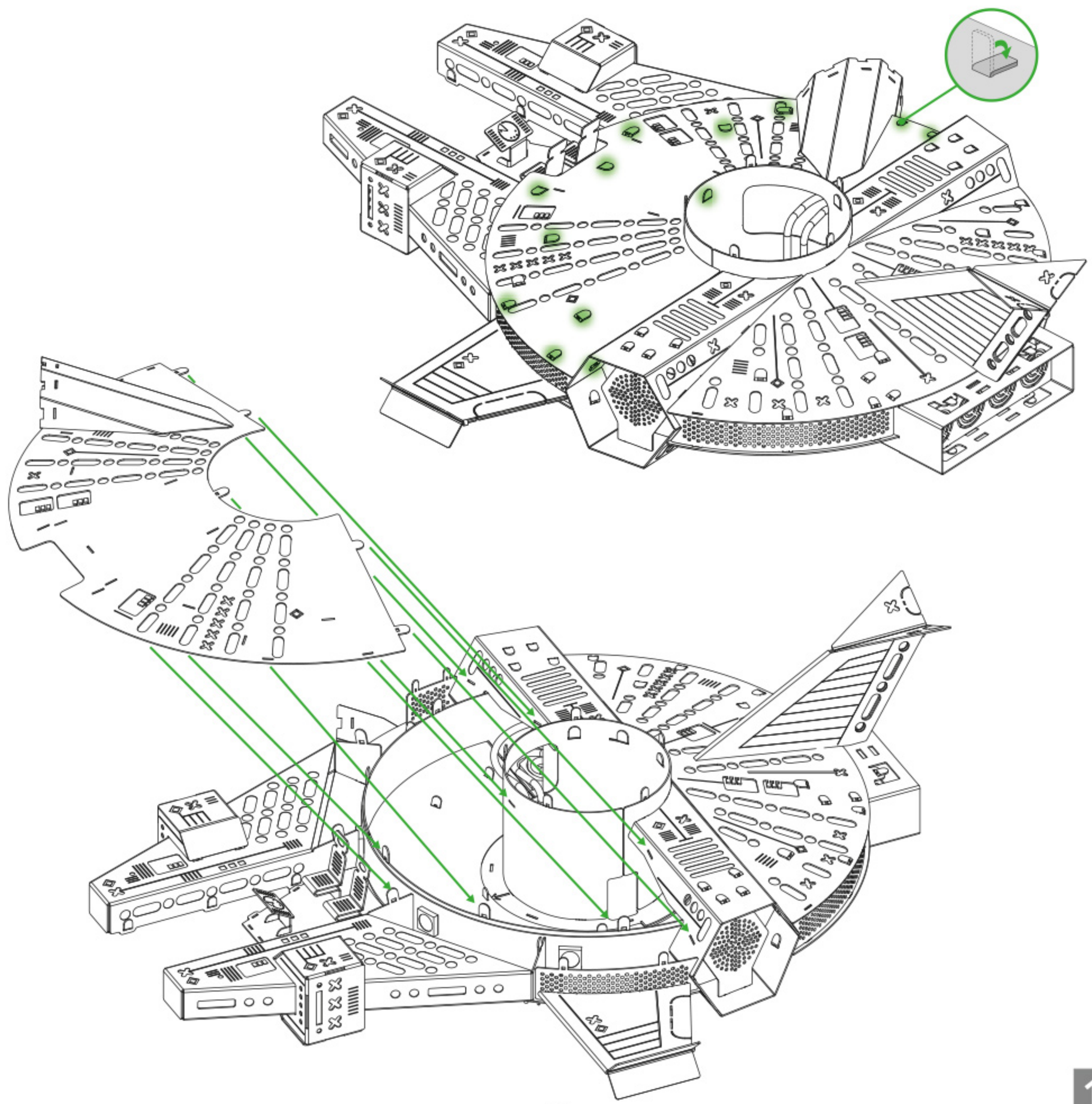


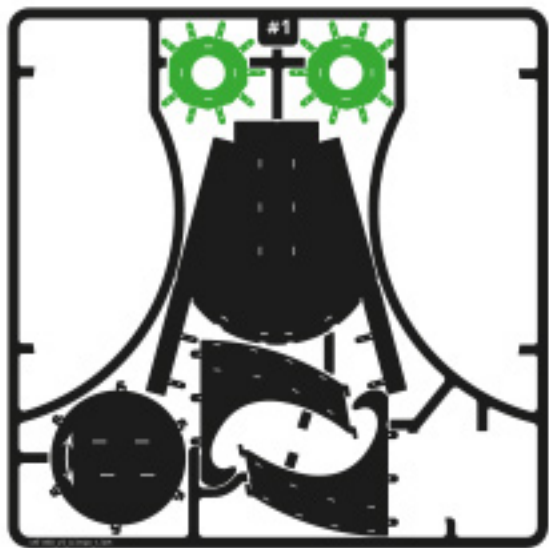




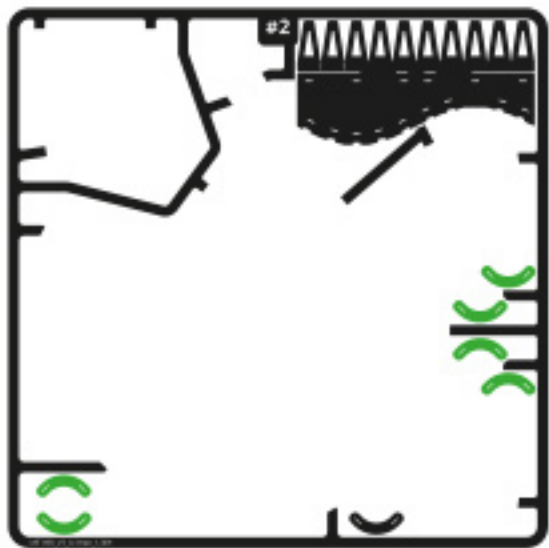
#2



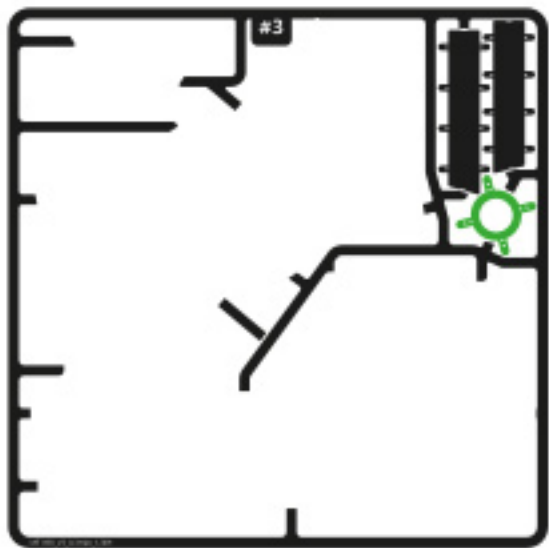




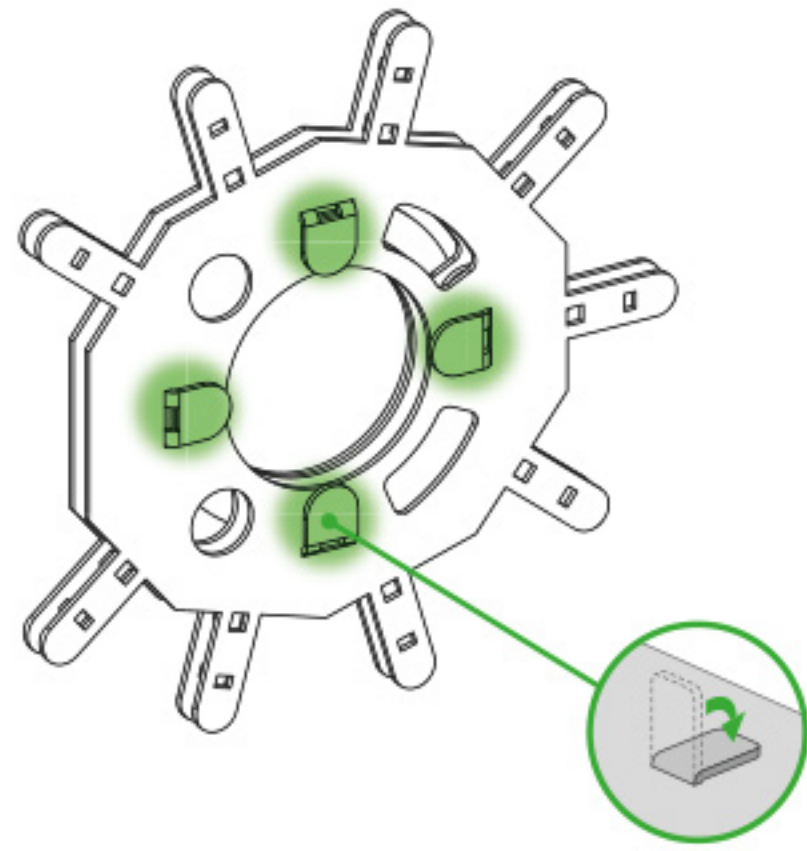
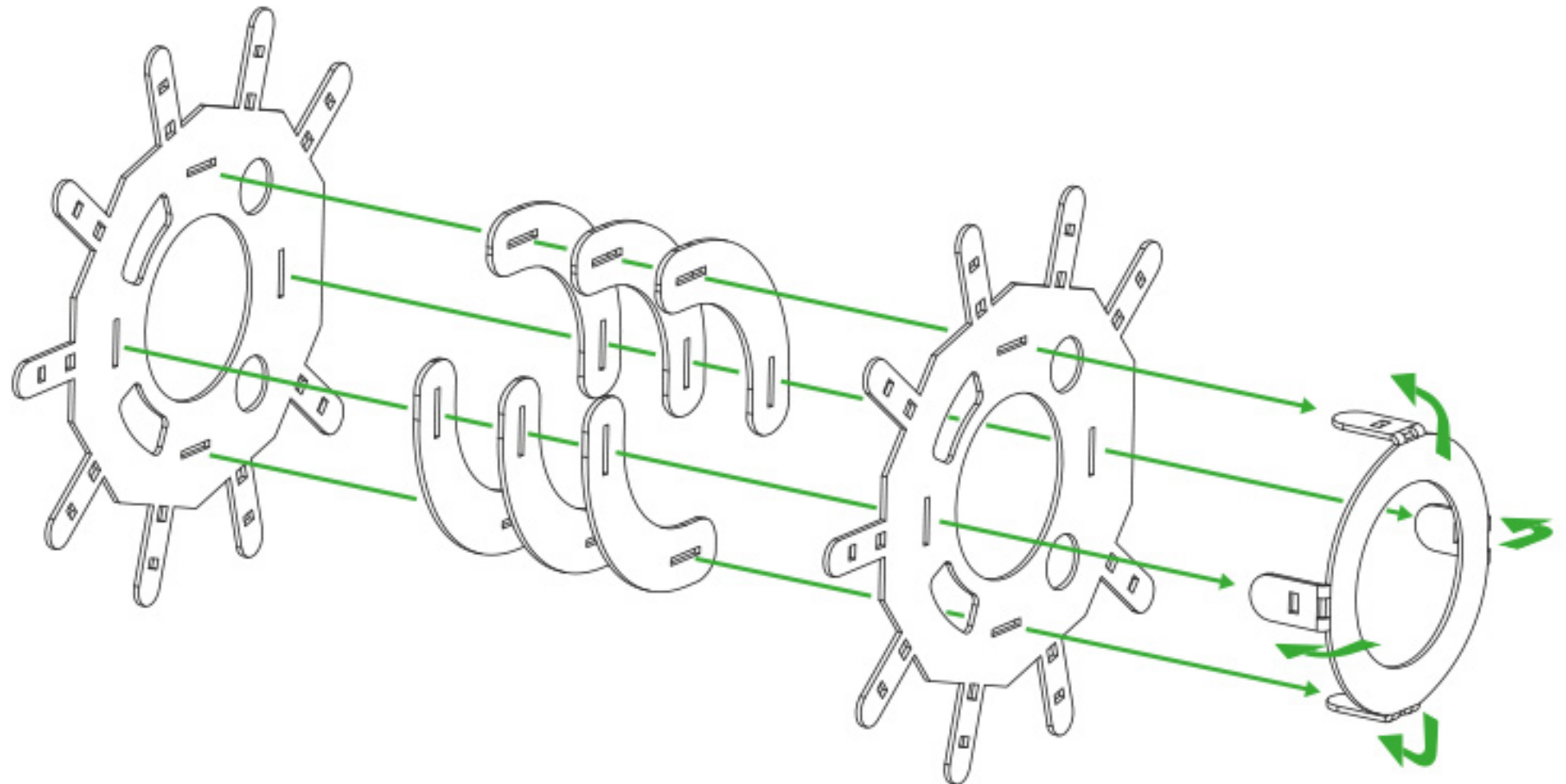
#1

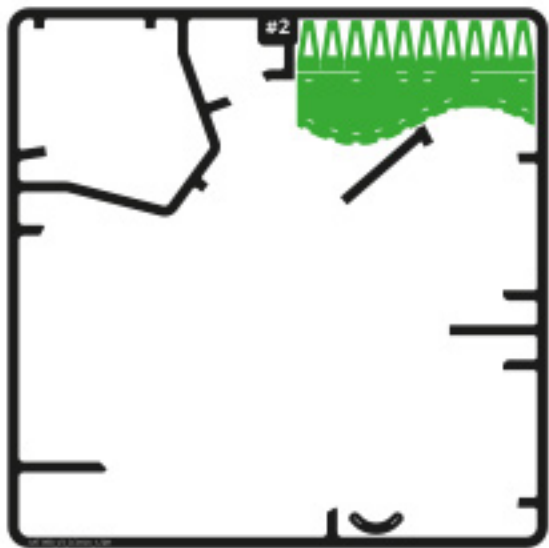


#2



#3

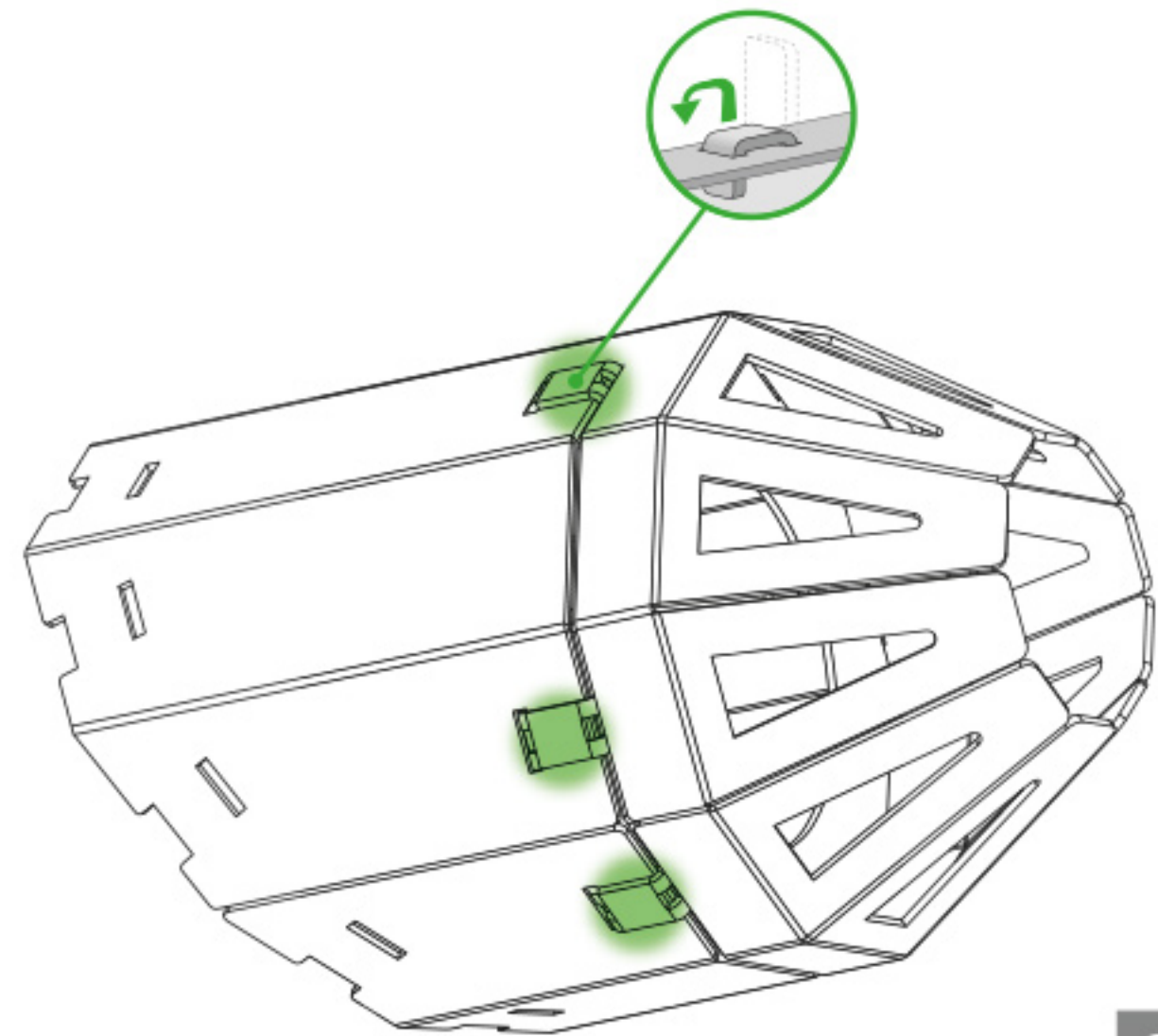
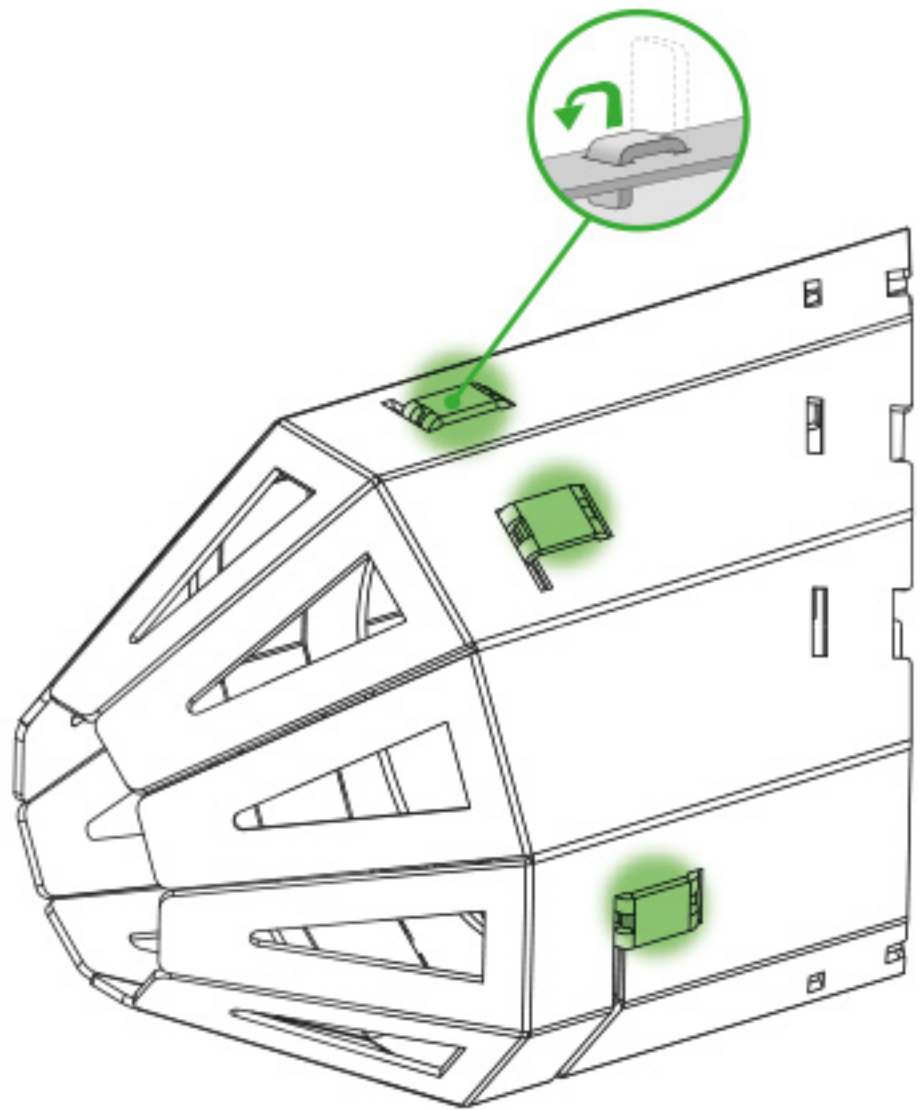
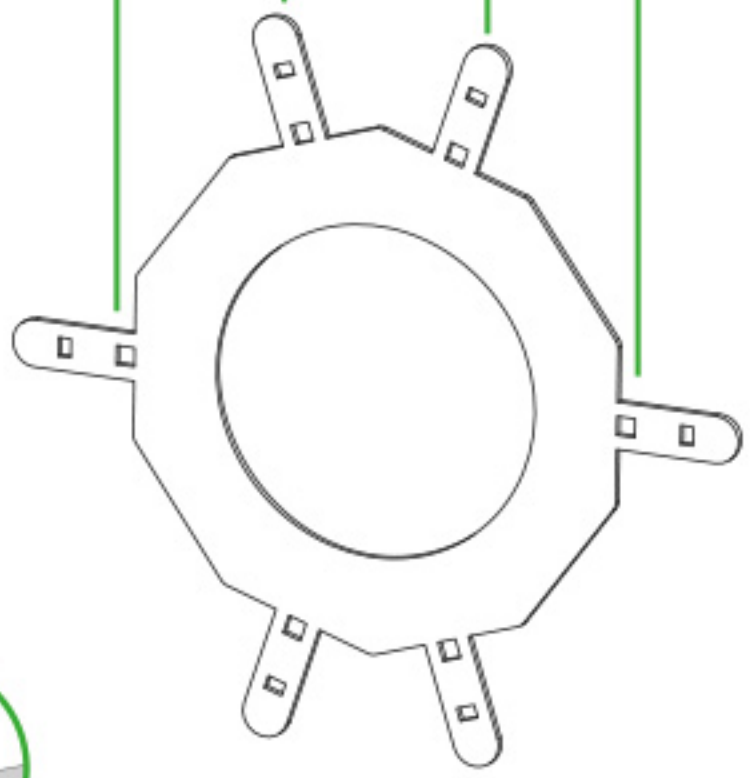
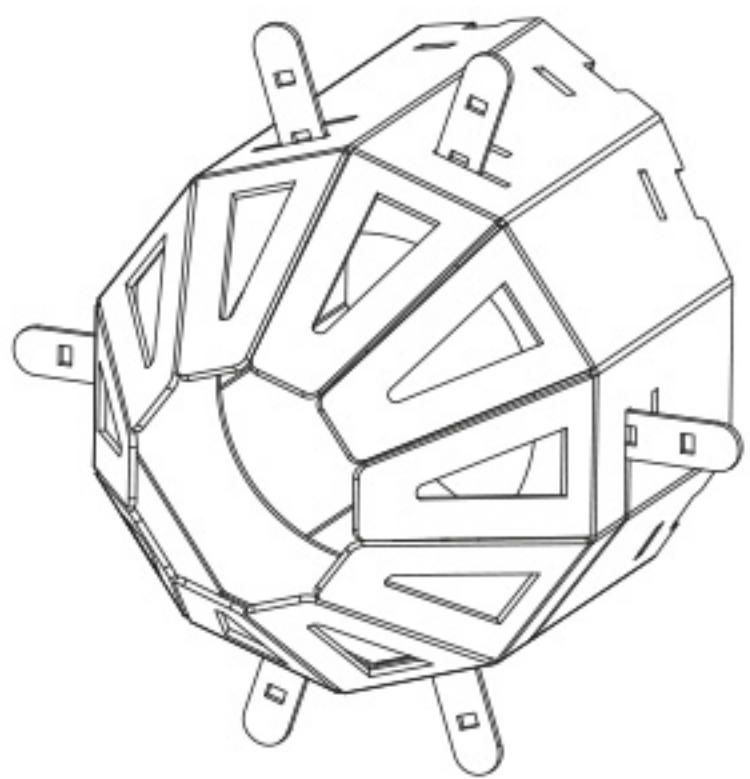
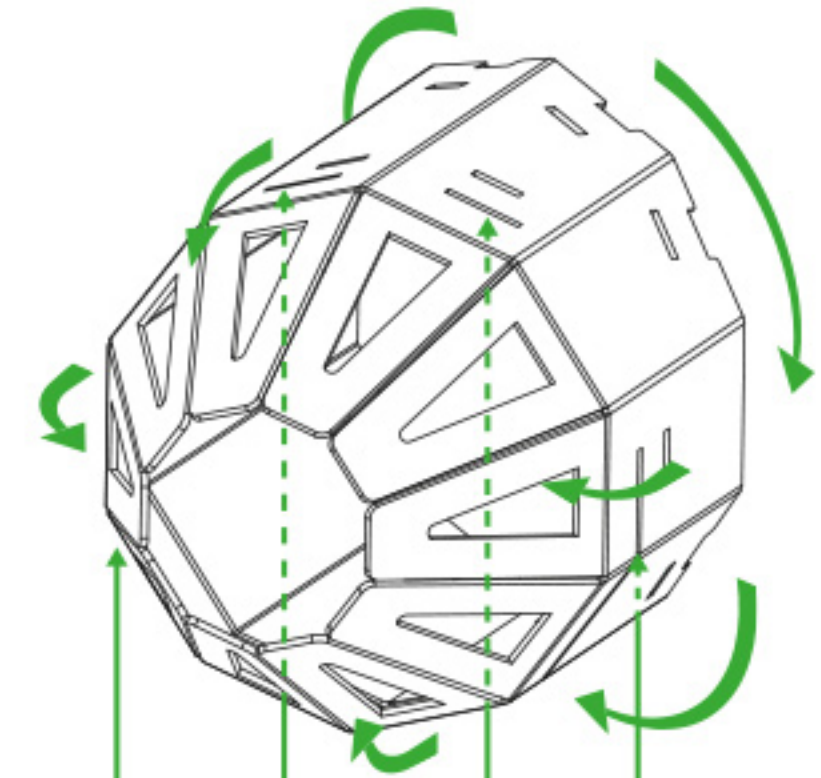




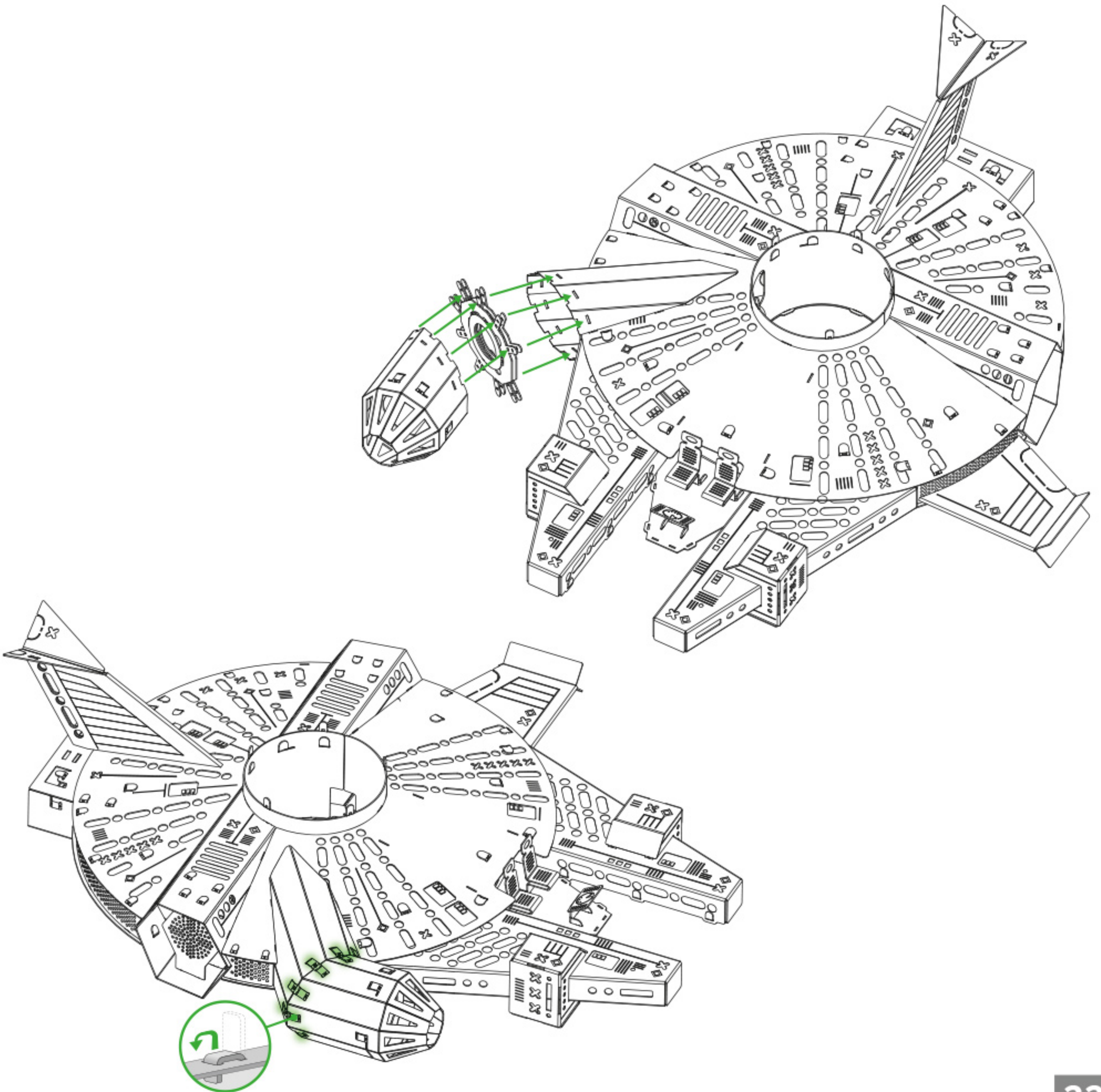
#2



#4

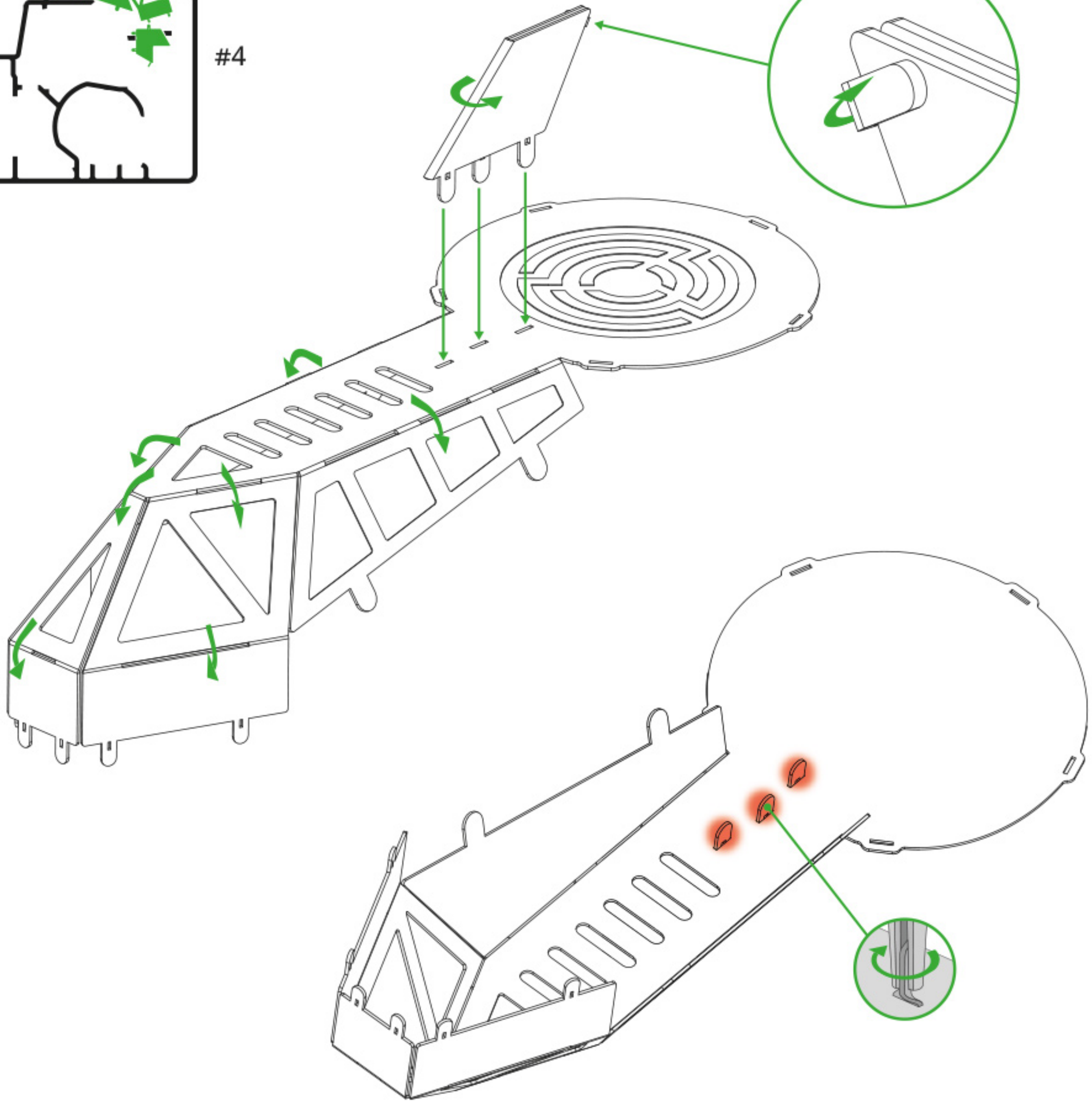
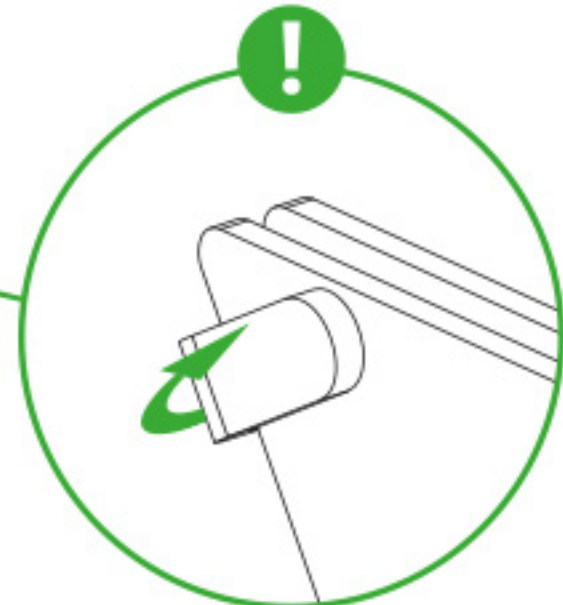


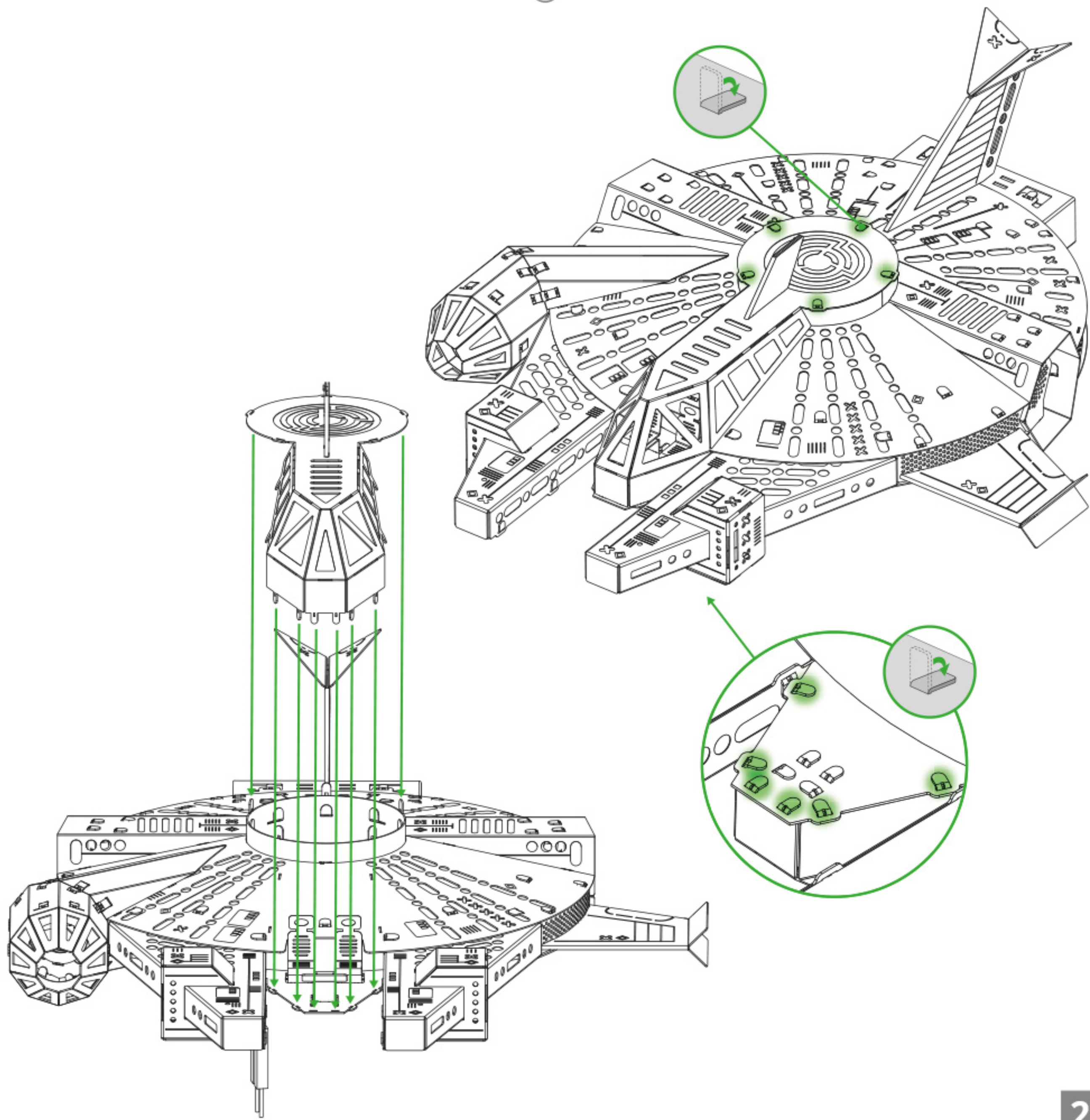


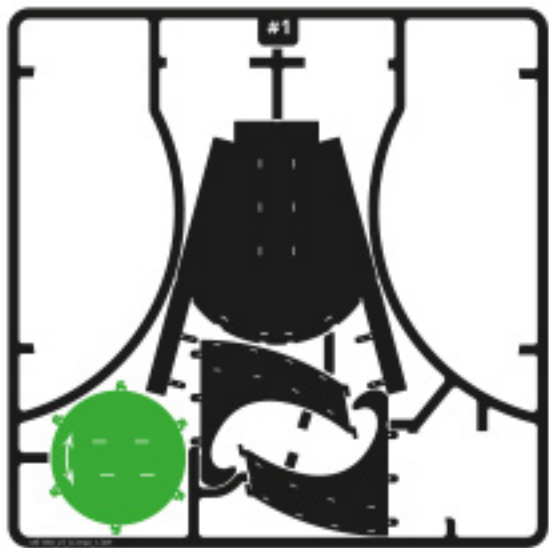




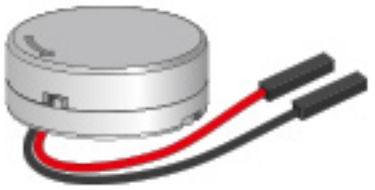
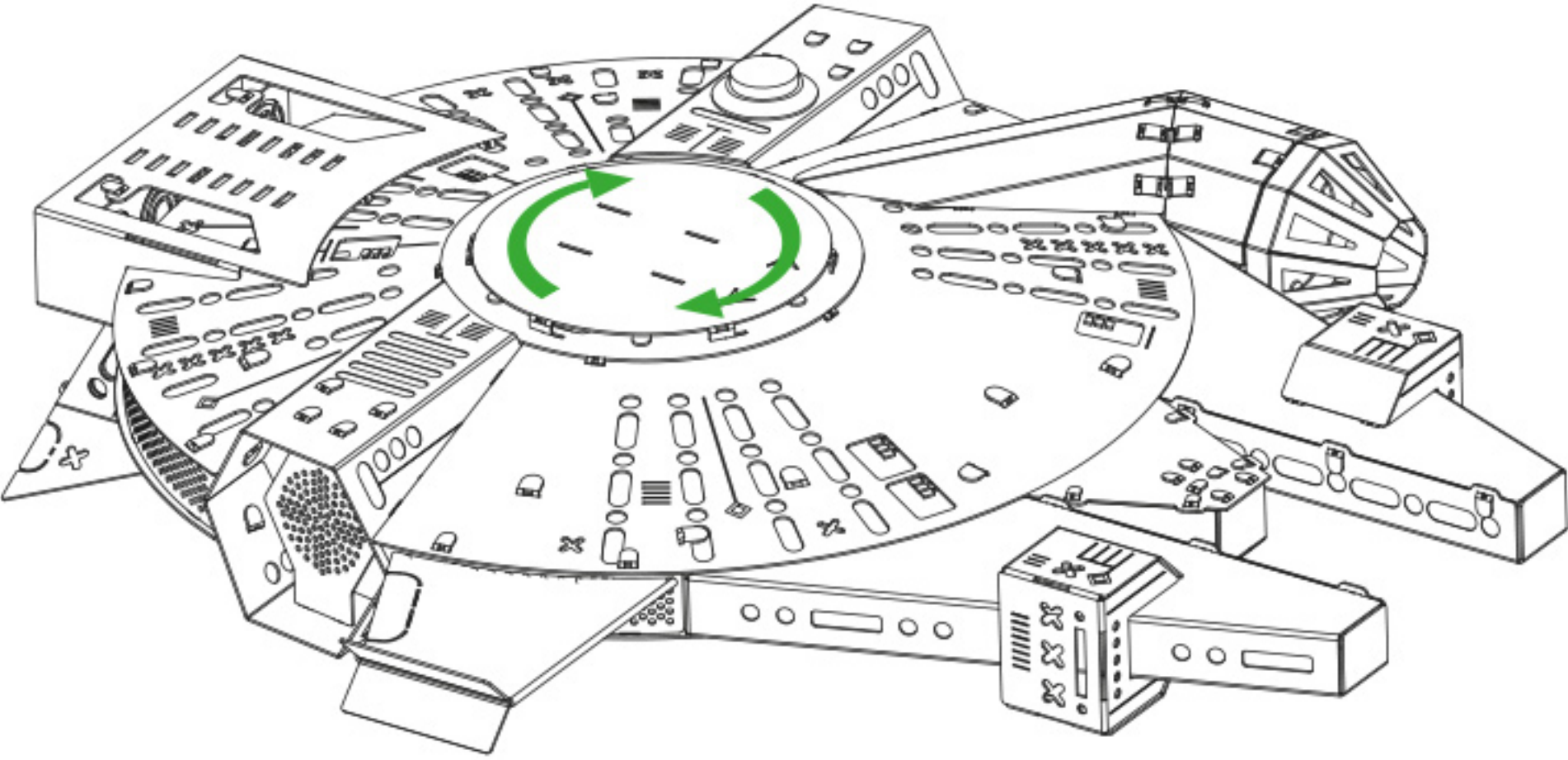
#4



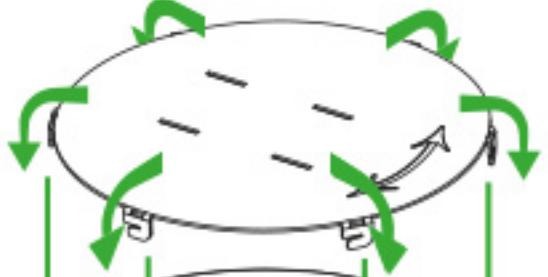




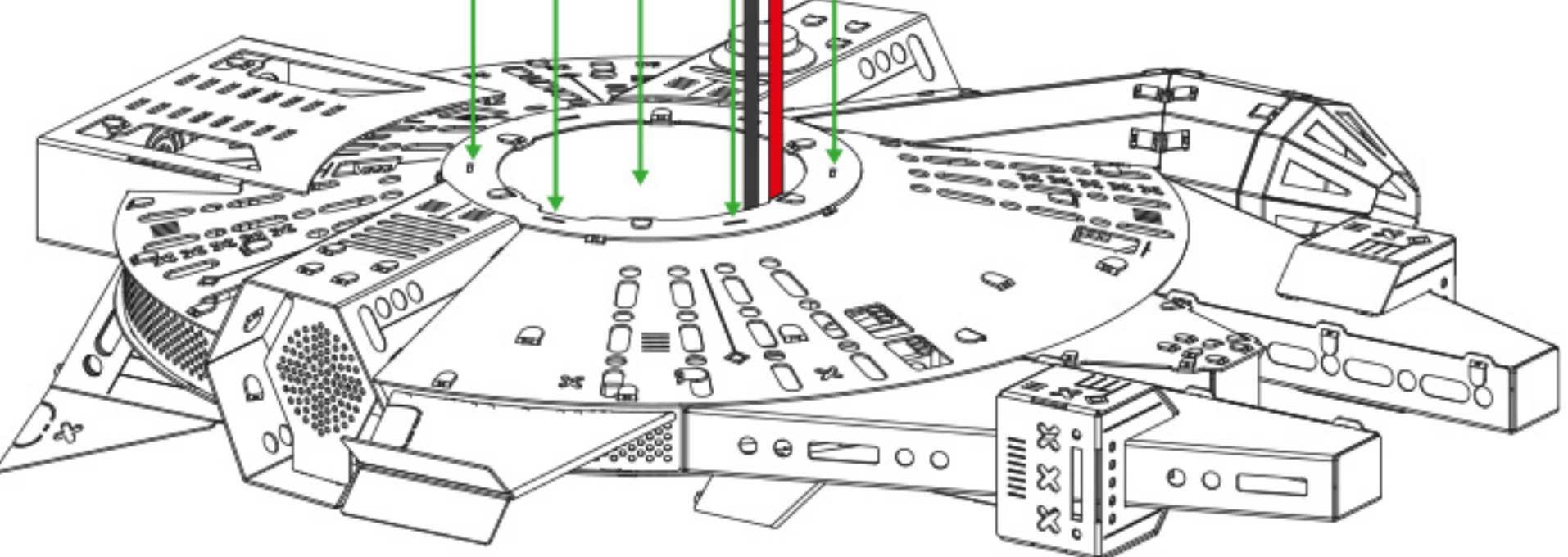
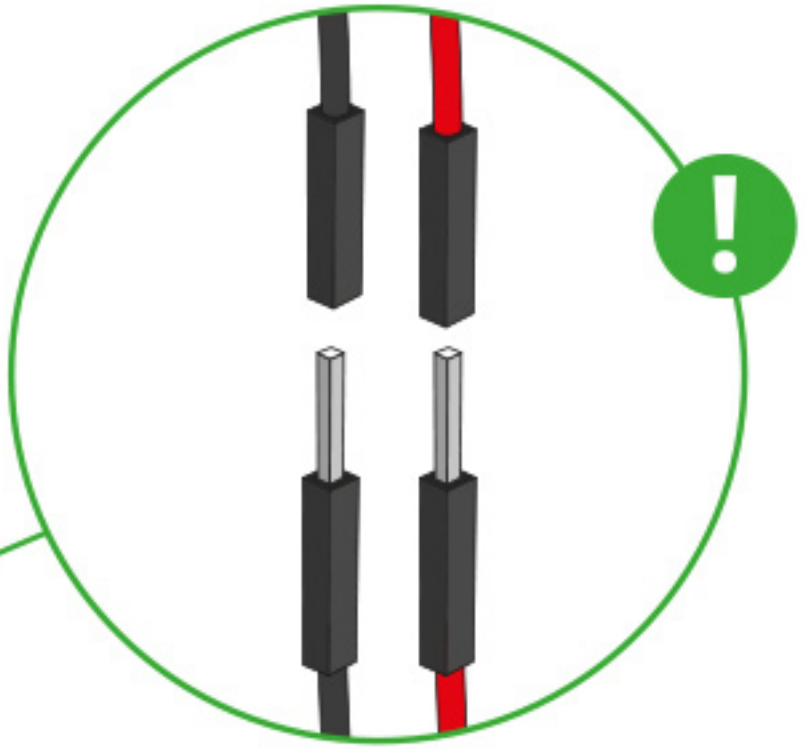
#1

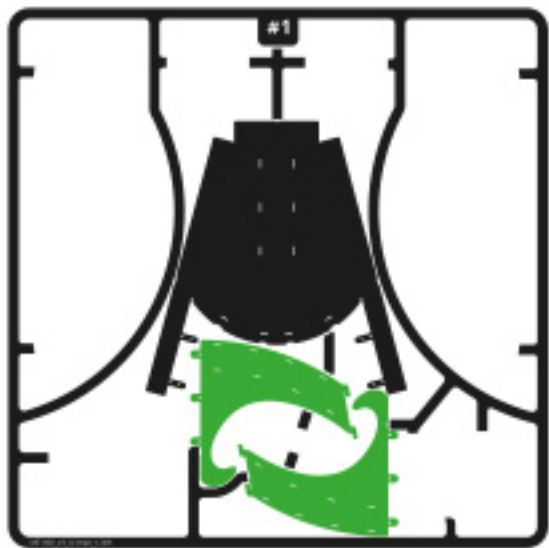


Battery box

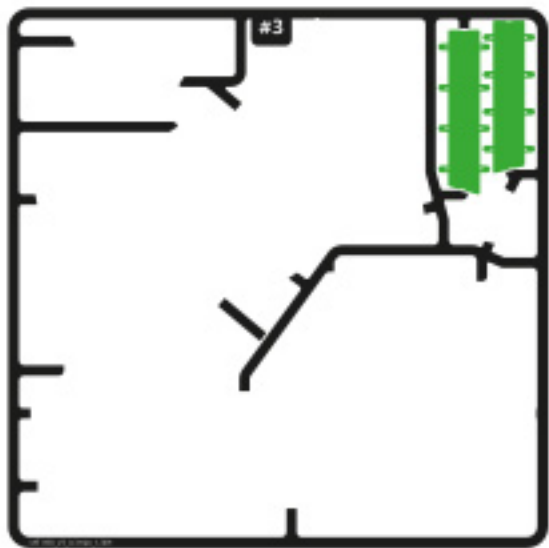


Battery box

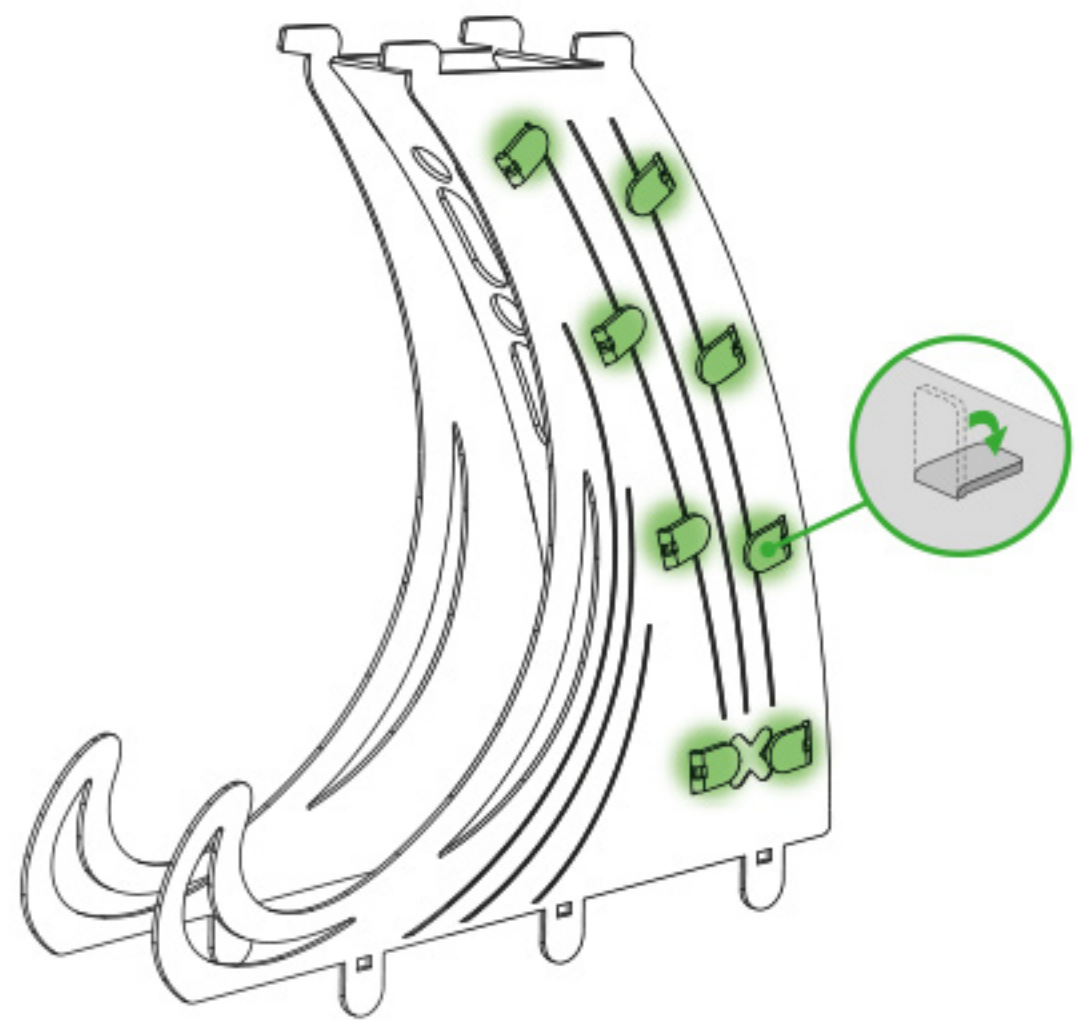
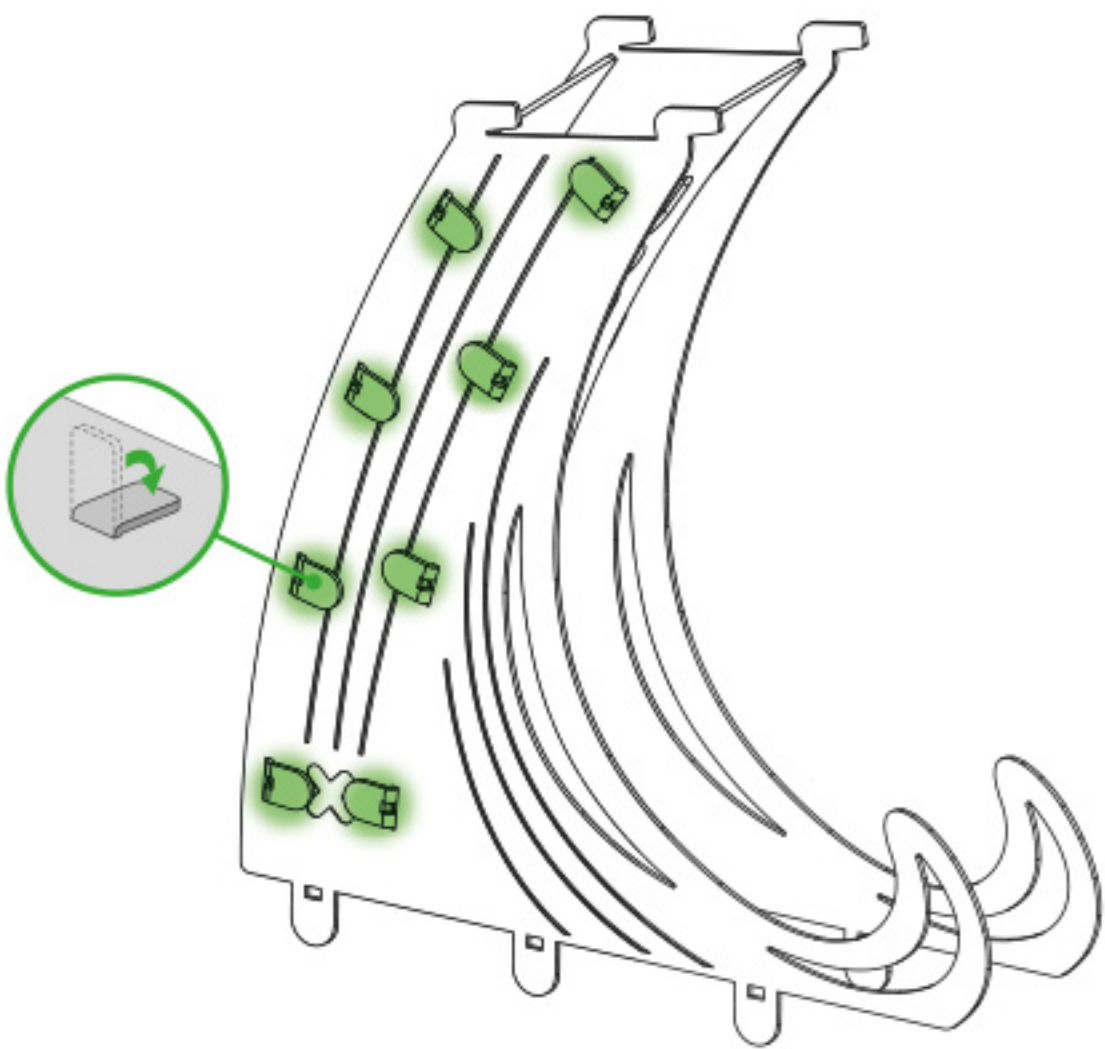
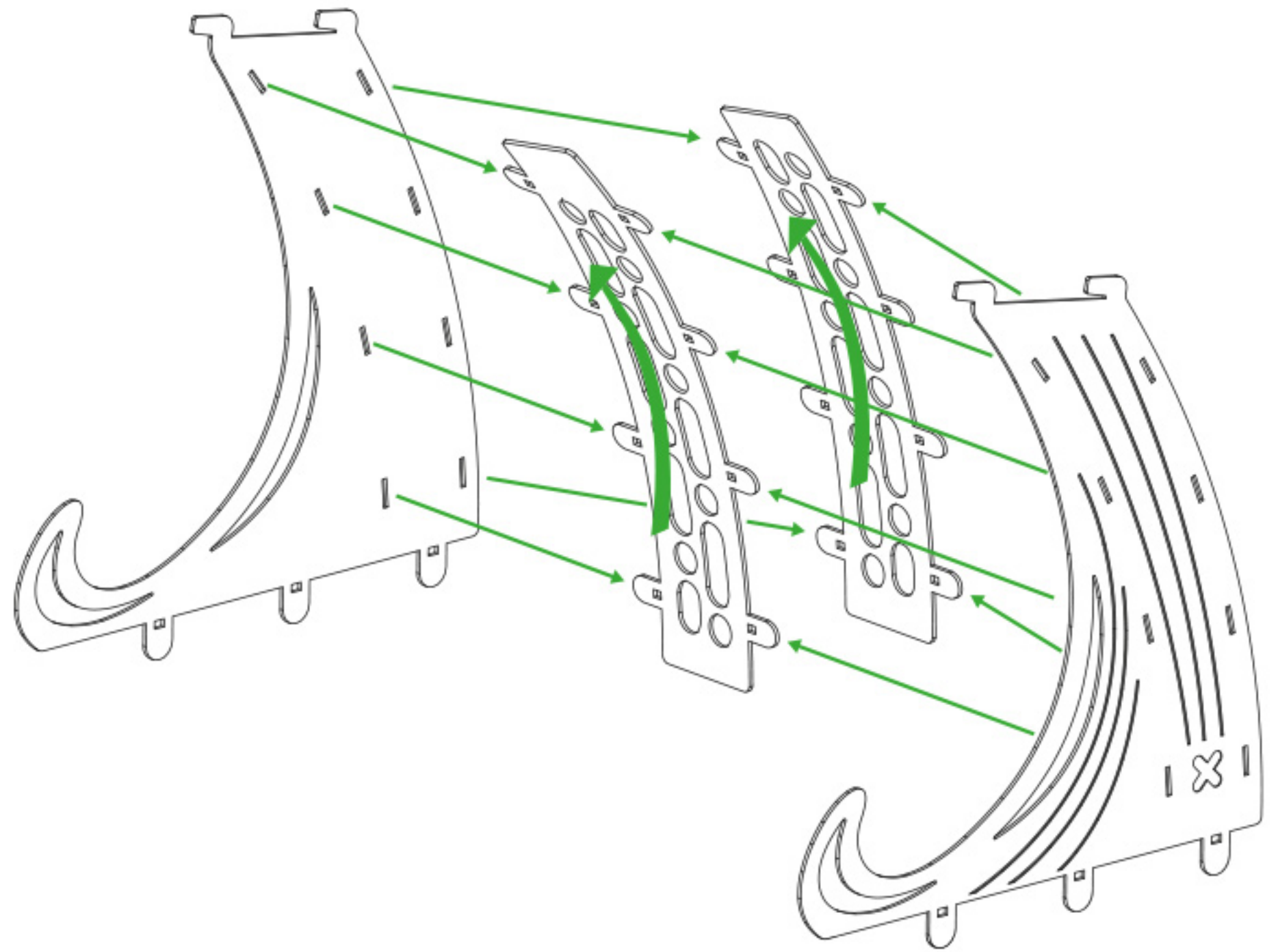


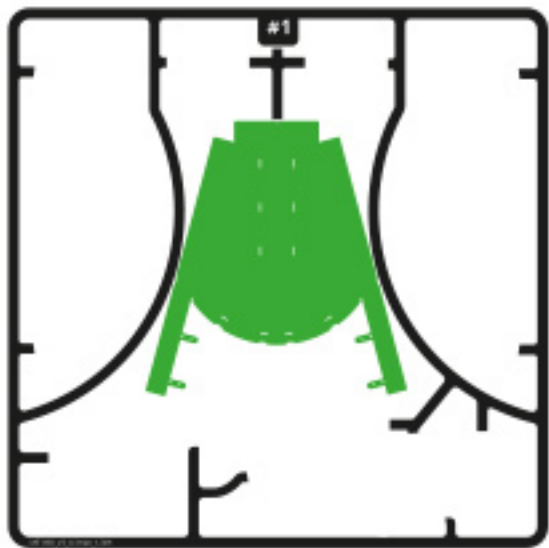


#1

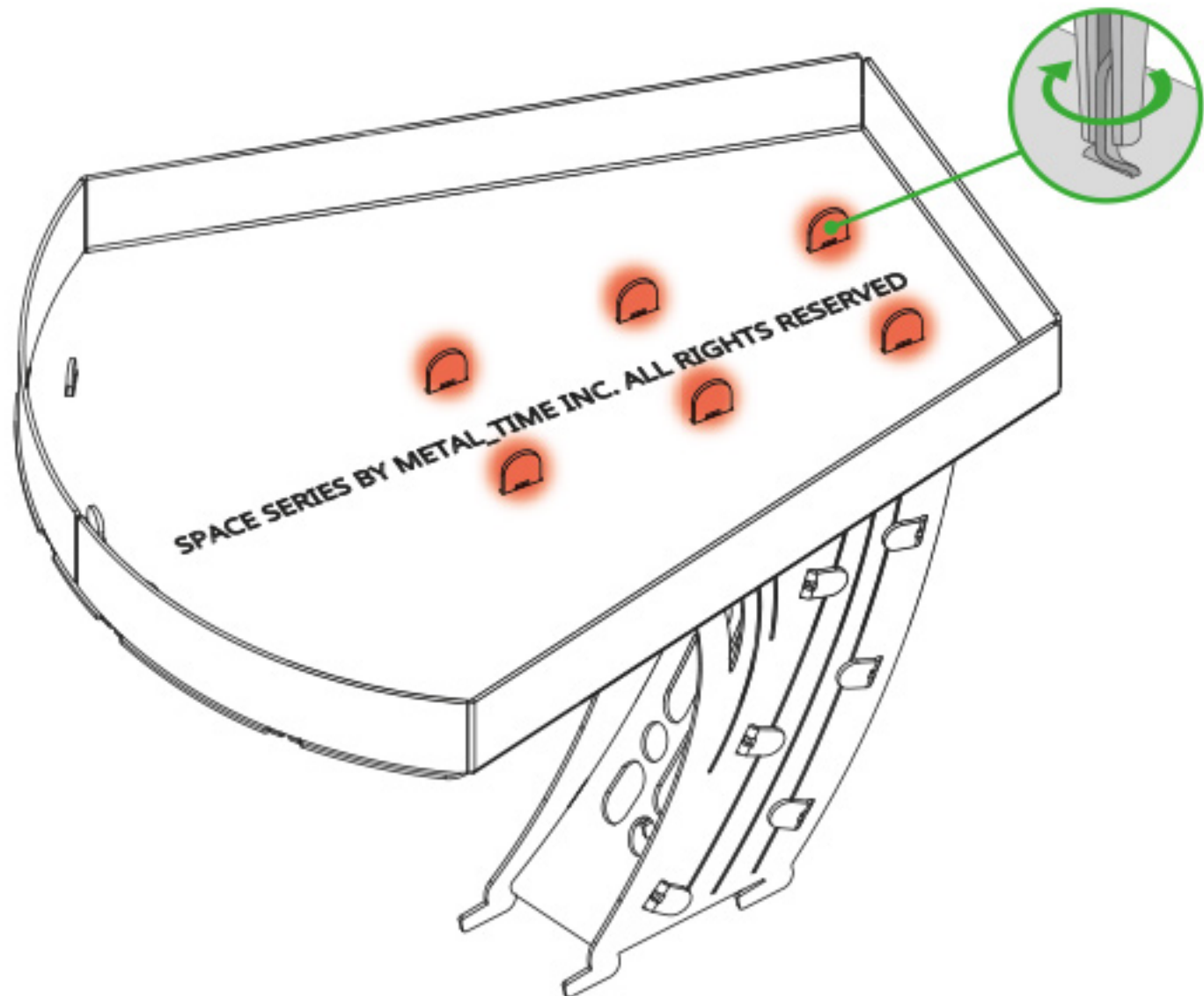
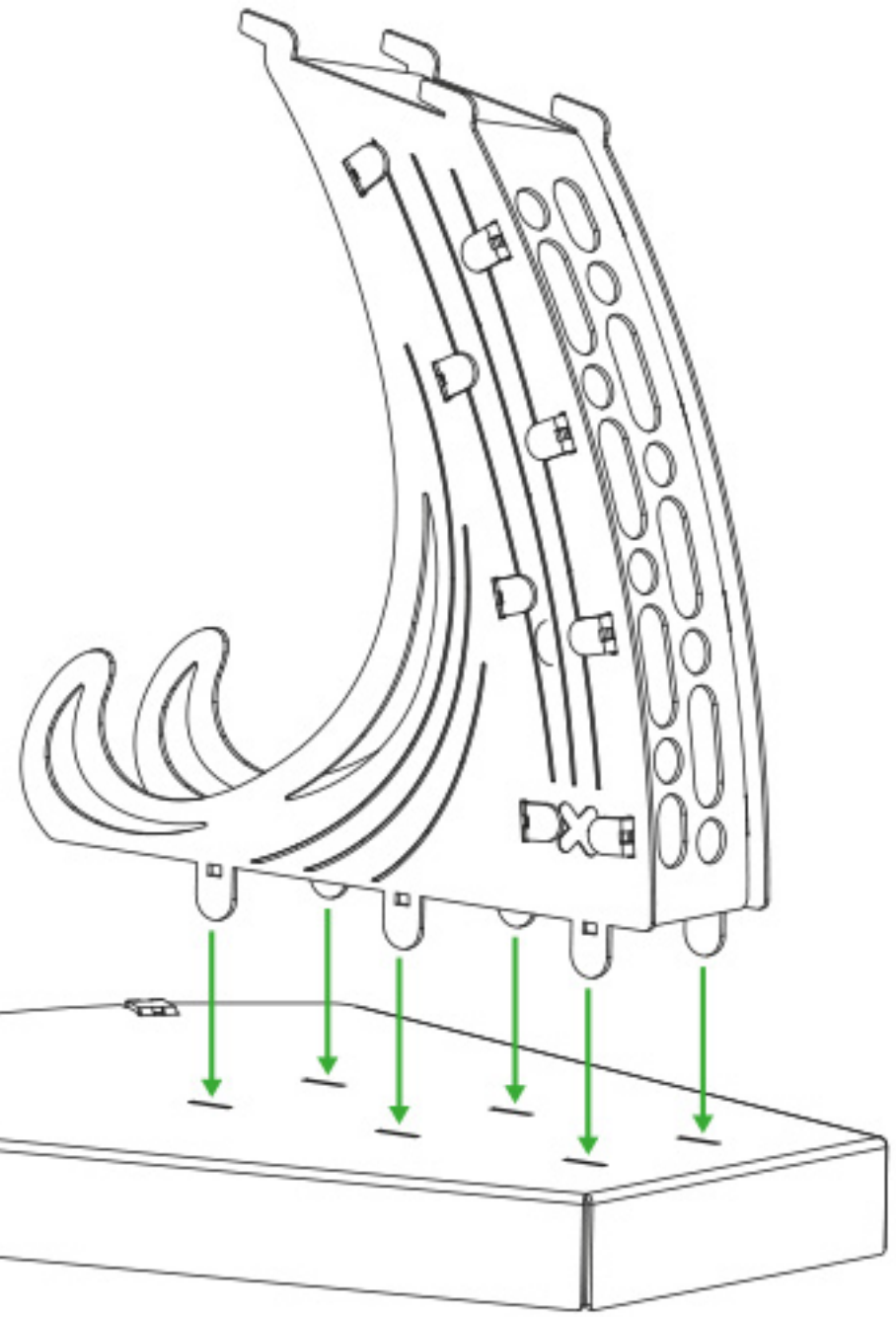
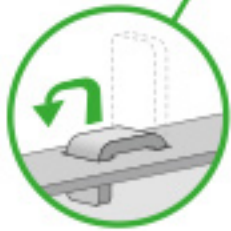
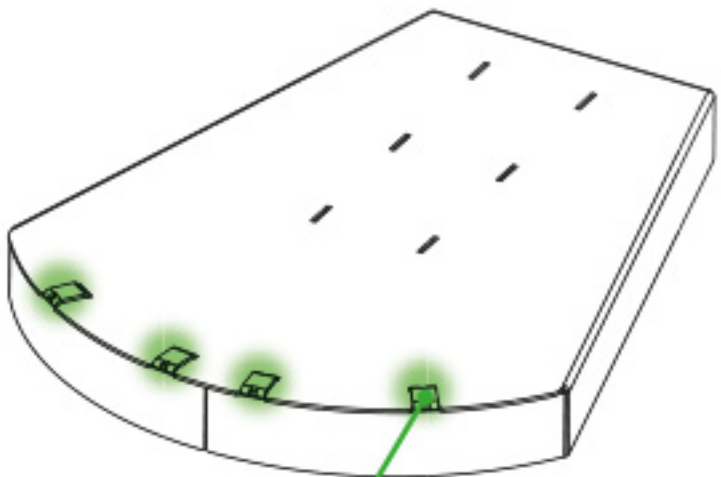
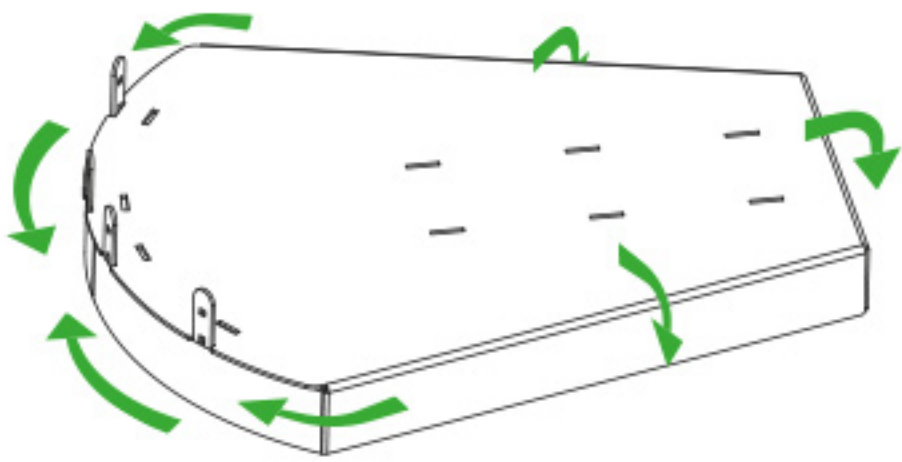


#3

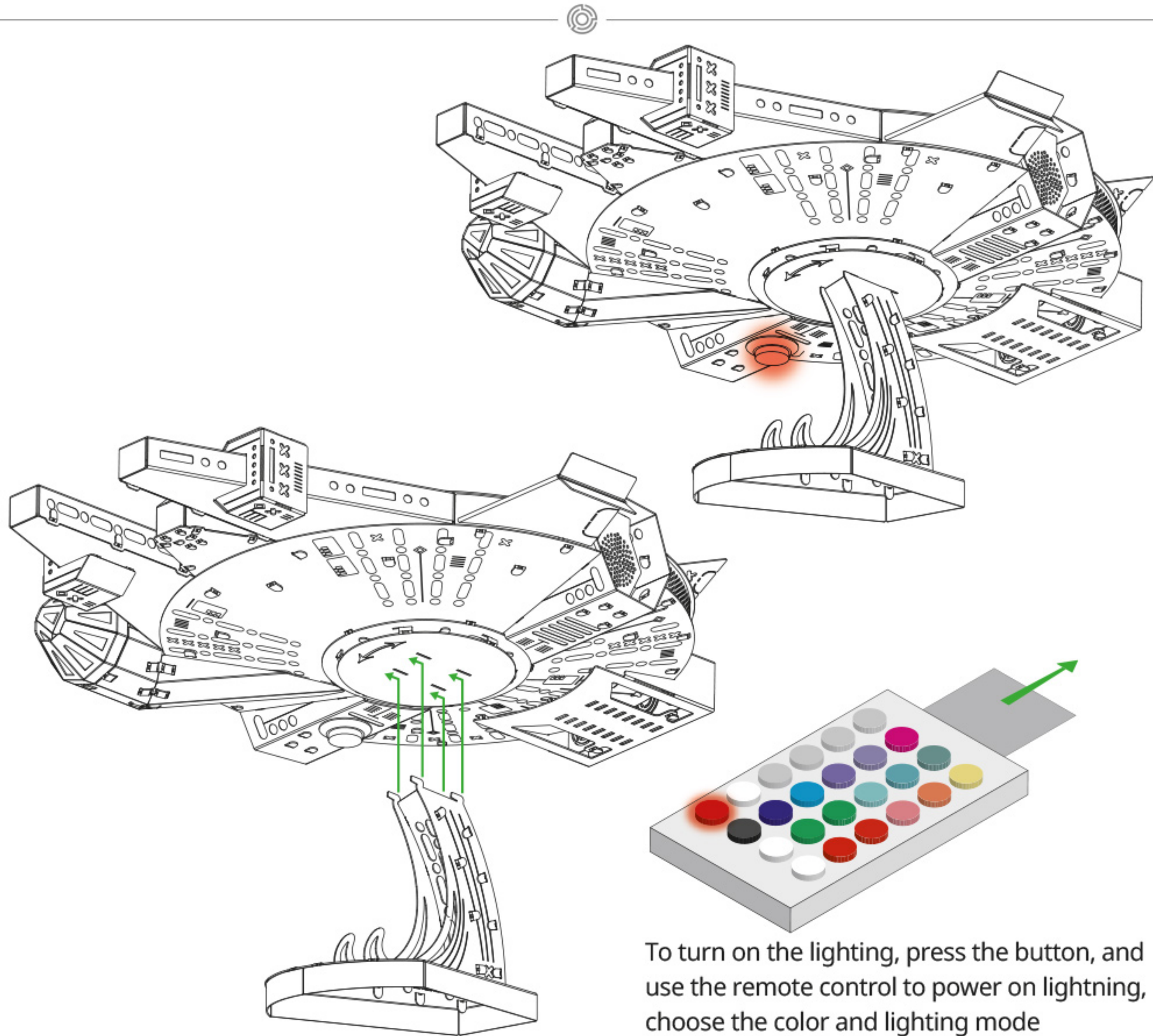




#1



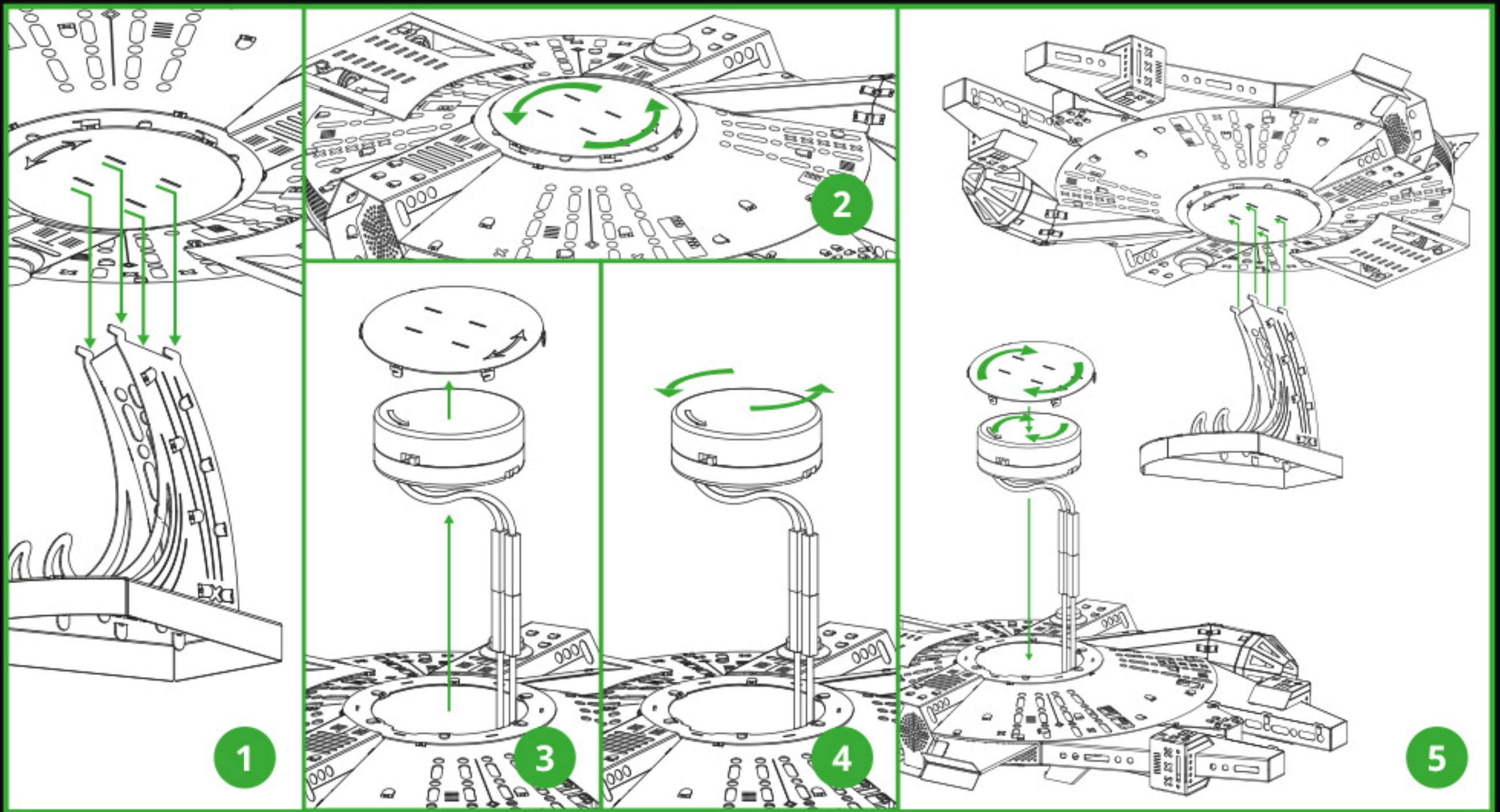
SPACE SERIES BY METAL TIME INC. ALL RIGHTS RESERVED



To turn on the lighting, press the button, and use the remote control to power on lightning, choose the color and lighting mode

**It is Important to use the button to turn off the starship in order to extend the life of the batteries**

## BATTERIES CHANGING



To change batteries in this model:

1. Remove the starship from platform;
2. Turn the internal compartment cover counterclockwise;
3. Remove the cover and take out the battery box;
4. Turn the cover counterclockwise, remove it and replace the batteries, **use 2 RC2032 batteries;**
5. Perform steps 1-4 in reverse order.