

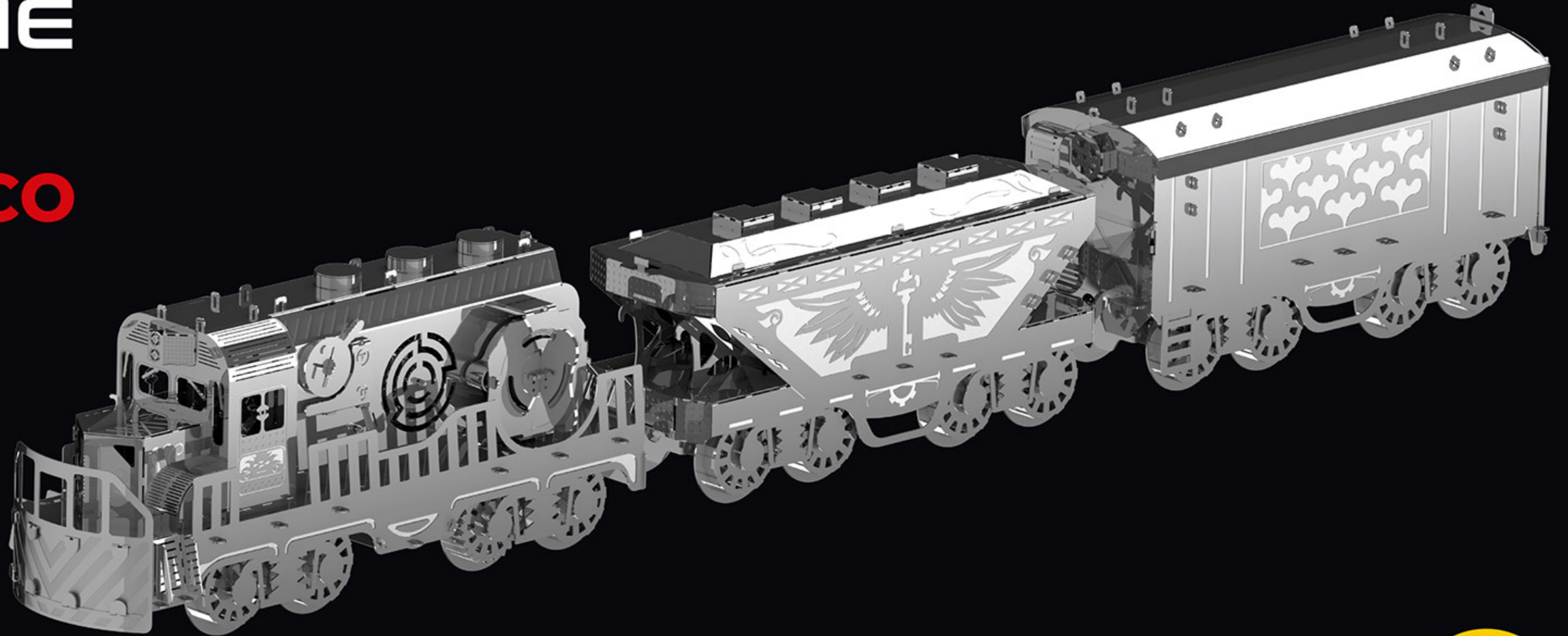


METAL[®]
TIME

HEAVY LOCO

3D Metal Mechanical
Model Building Kit

Assembly instructions



Collect the Best

234 PIECES

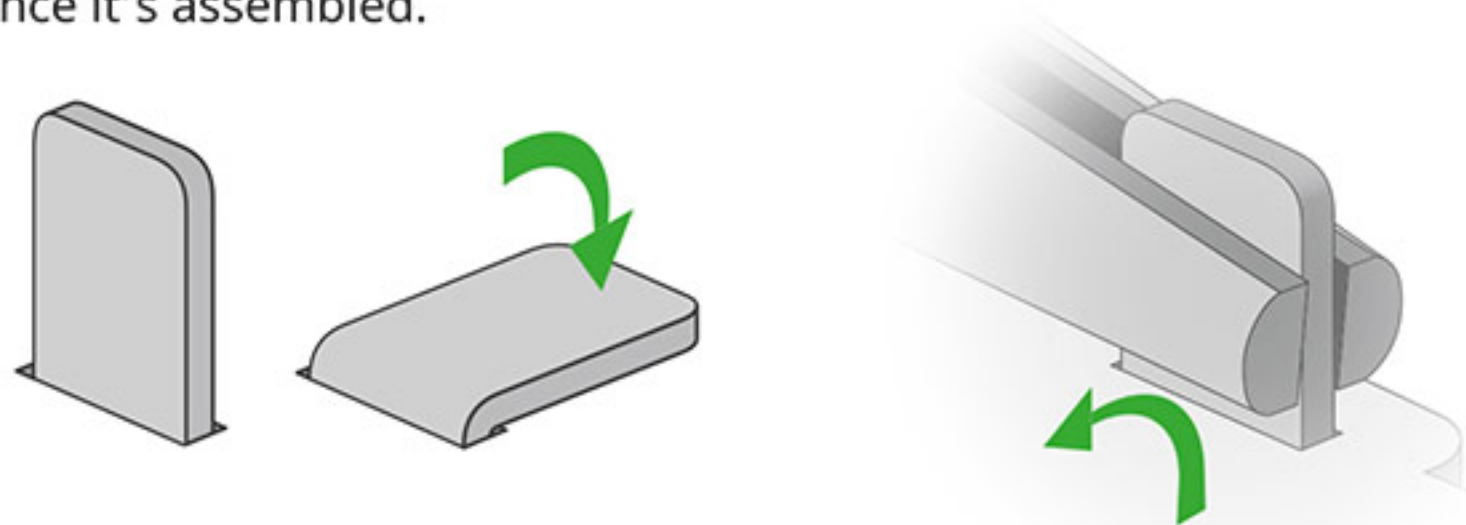
8 hours

Stainless steel / Metal Craft
Wind-up moving mechanism

AGES
14+

STANDARD FIXING OF FASTENERS AND SYMBOLS

When assembling the model, don't rush, avoid pointing details at yours or anyone else's face. If one of the parts has a sharp edge, please file it down. Use pliers and additional tools to assemble the model. Each kit contains a cloth for wiping and polishing the model once it's assembled.



If there are no additional designations, use the standard fixing method

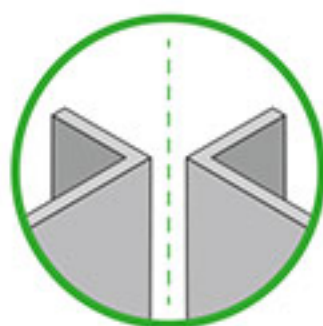
Use pliers to bend the fasteners



Twist the eyelet 45°



Bend the ears 90°

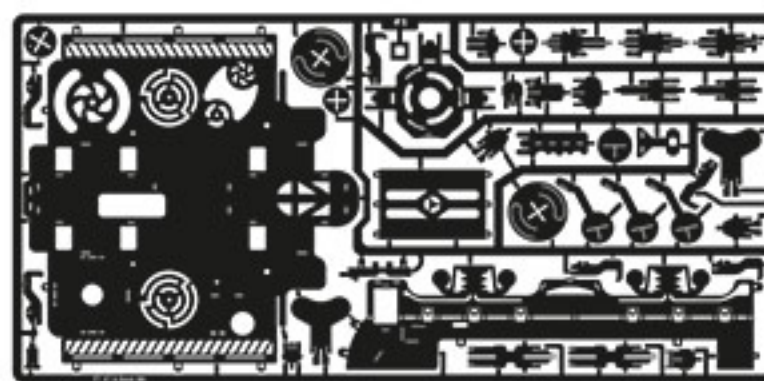


Assemble/bend parts symmetrically

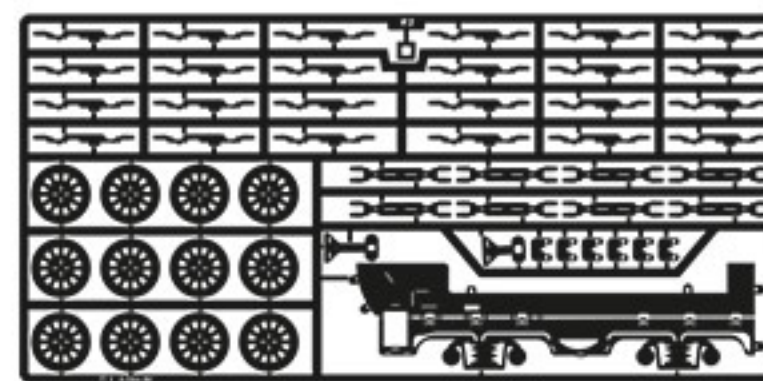
WARNING! Product contains small parts and sharp parts. Not suitable for children under 3 years of age. Please read these instructions carefully before assembly and use.

WARNING! Cut/remove the band that keeps the spring in place ONLY WITHIN the spring chamber/container. DO NOT cut the restraining band outside the assembled spring chamber, as the spring will unwind with force

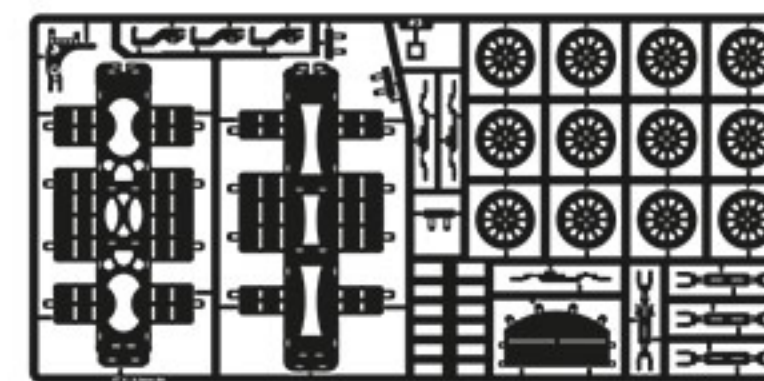
MODEL PARTS AND ASSEMBLY TOOLS



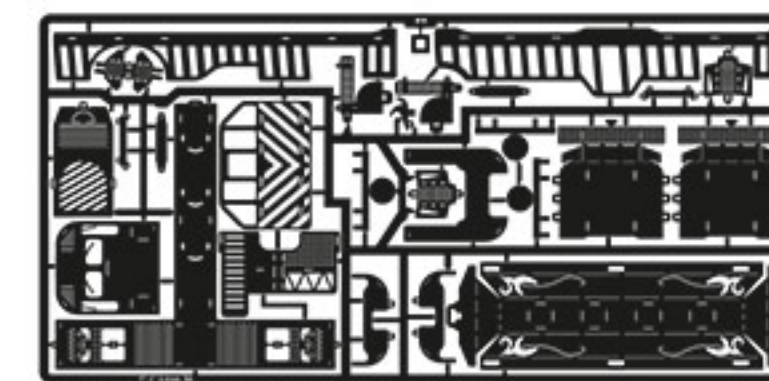
#1



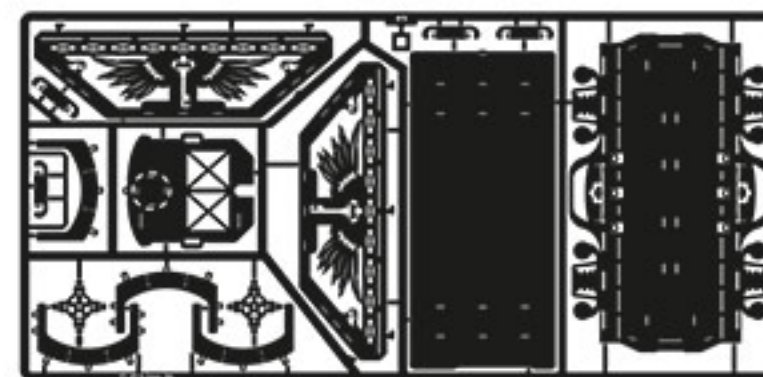
#2



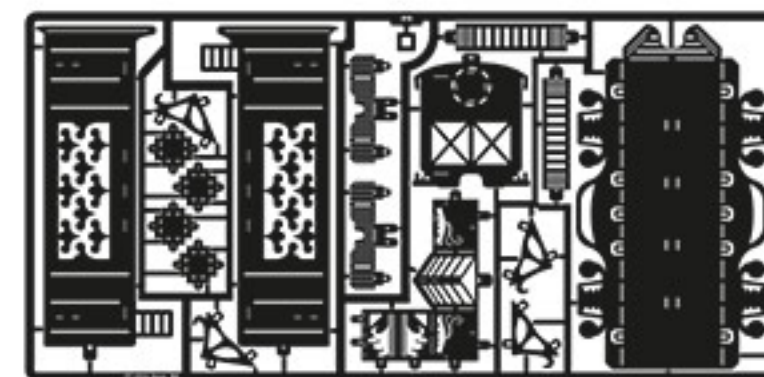
#3



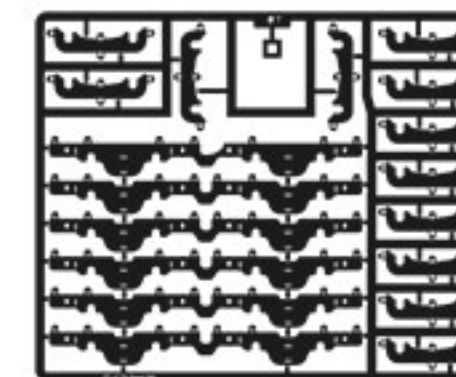
#4



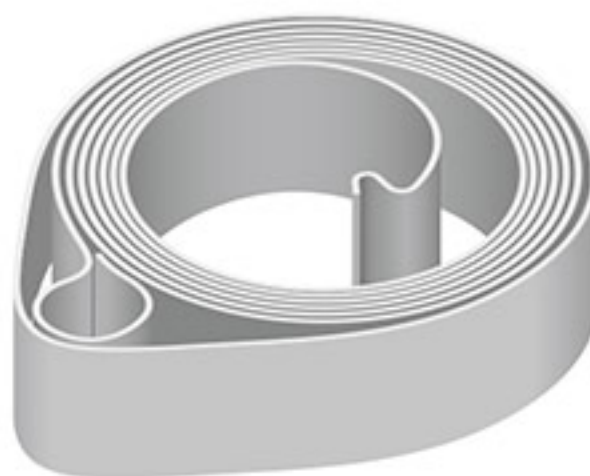
#5



#6



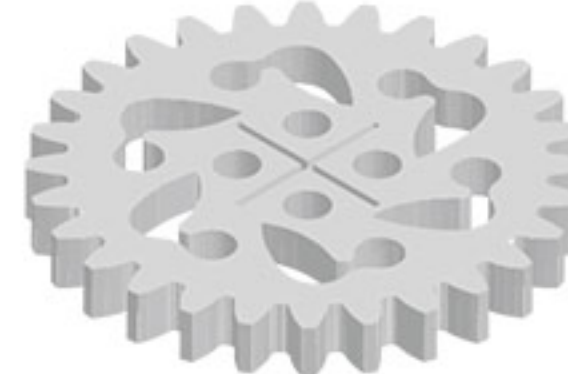
#7



Spring



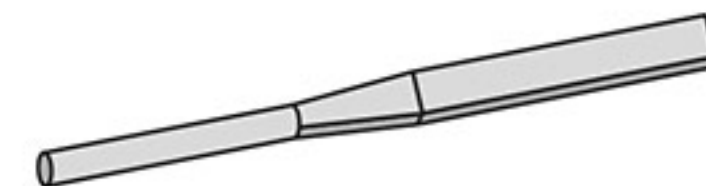
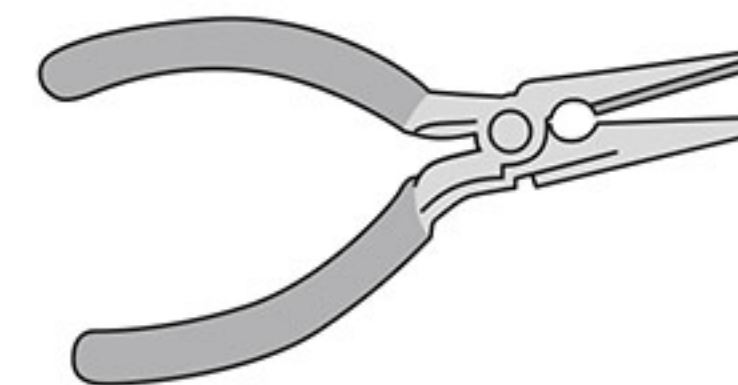
G1



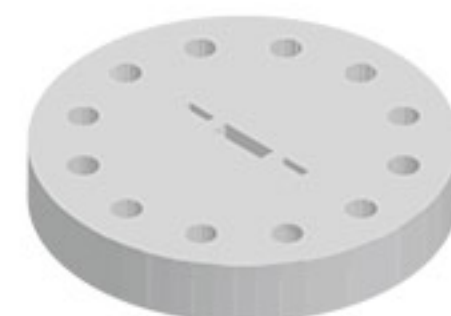
G2 x3



G3



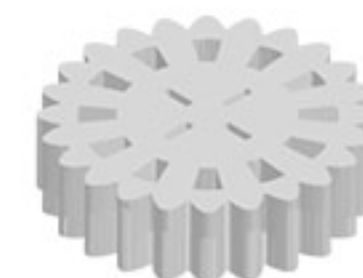
G4 x4



D1 x2



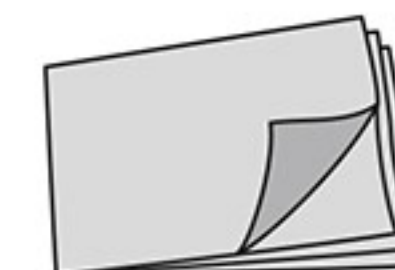
D2 x22



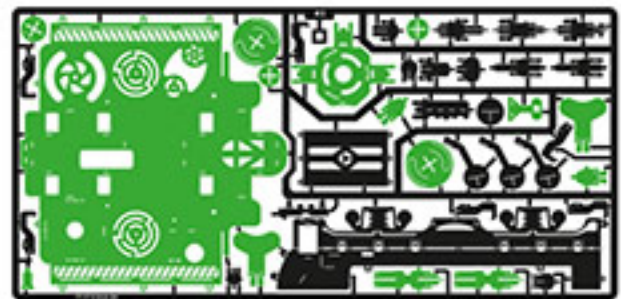
D3 x2



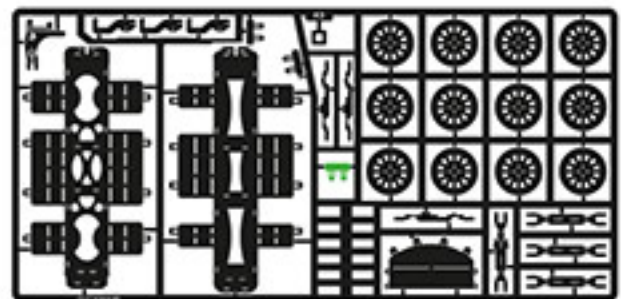
D4



Tools



#1



#3

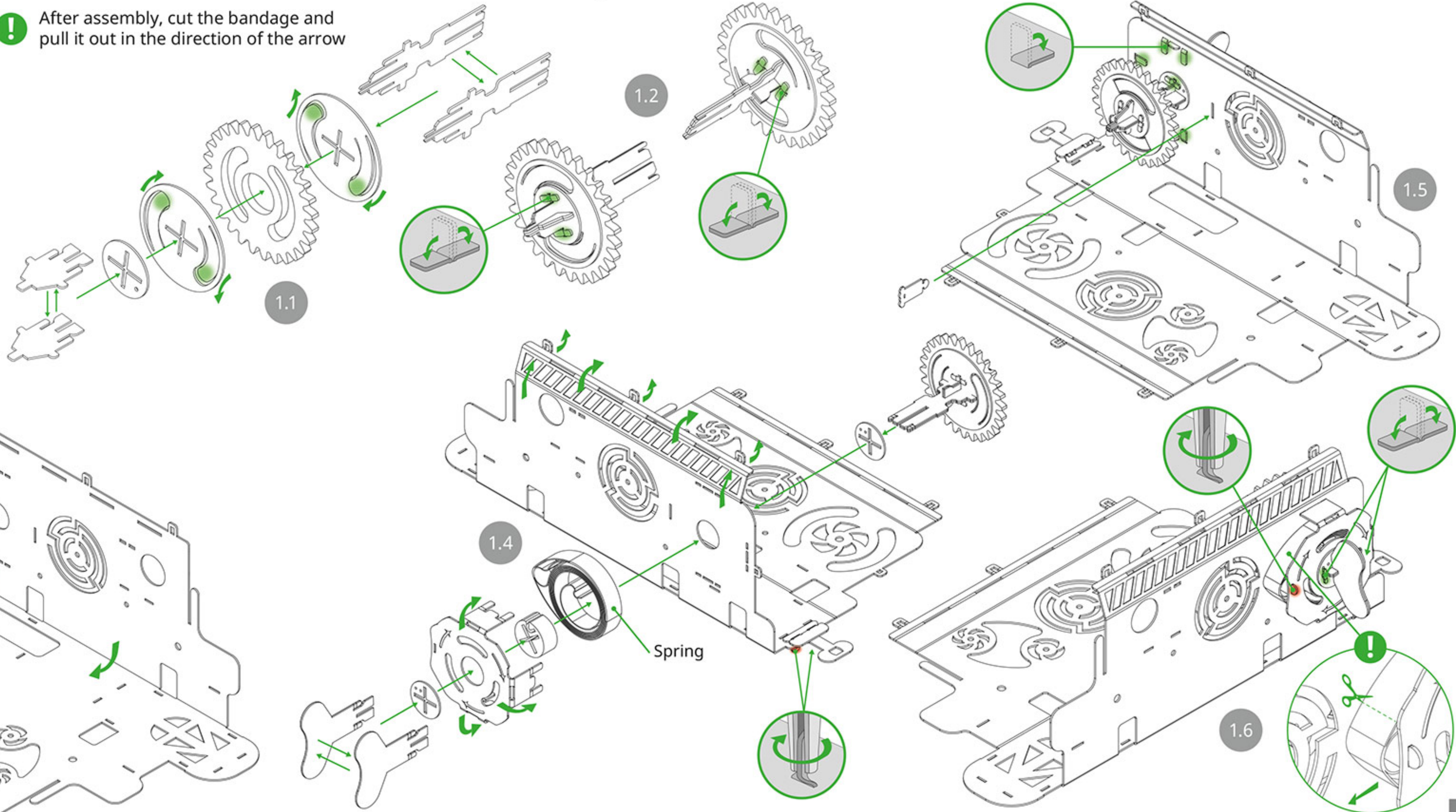


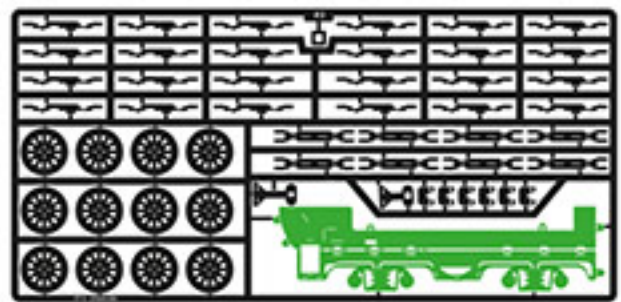
G1



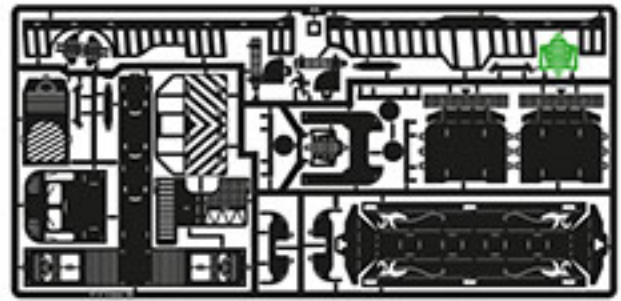
D4

! After assembly, cut the bandage and pull it out in the direction of the arrow

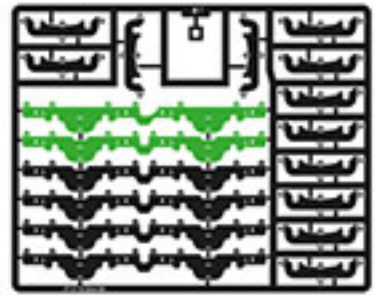




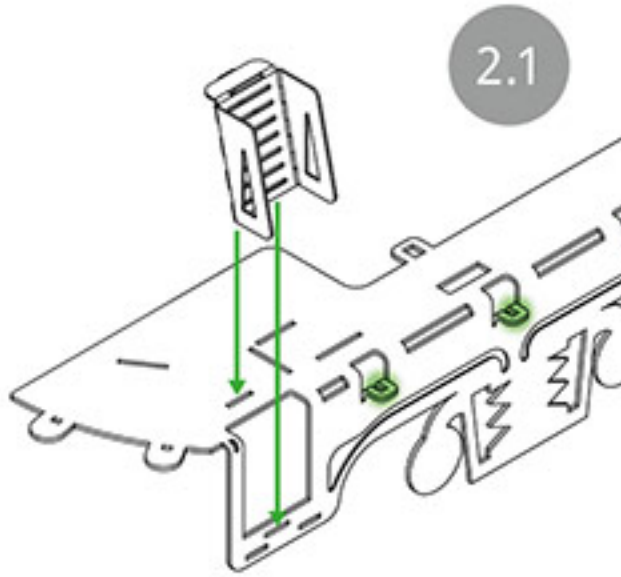
#2



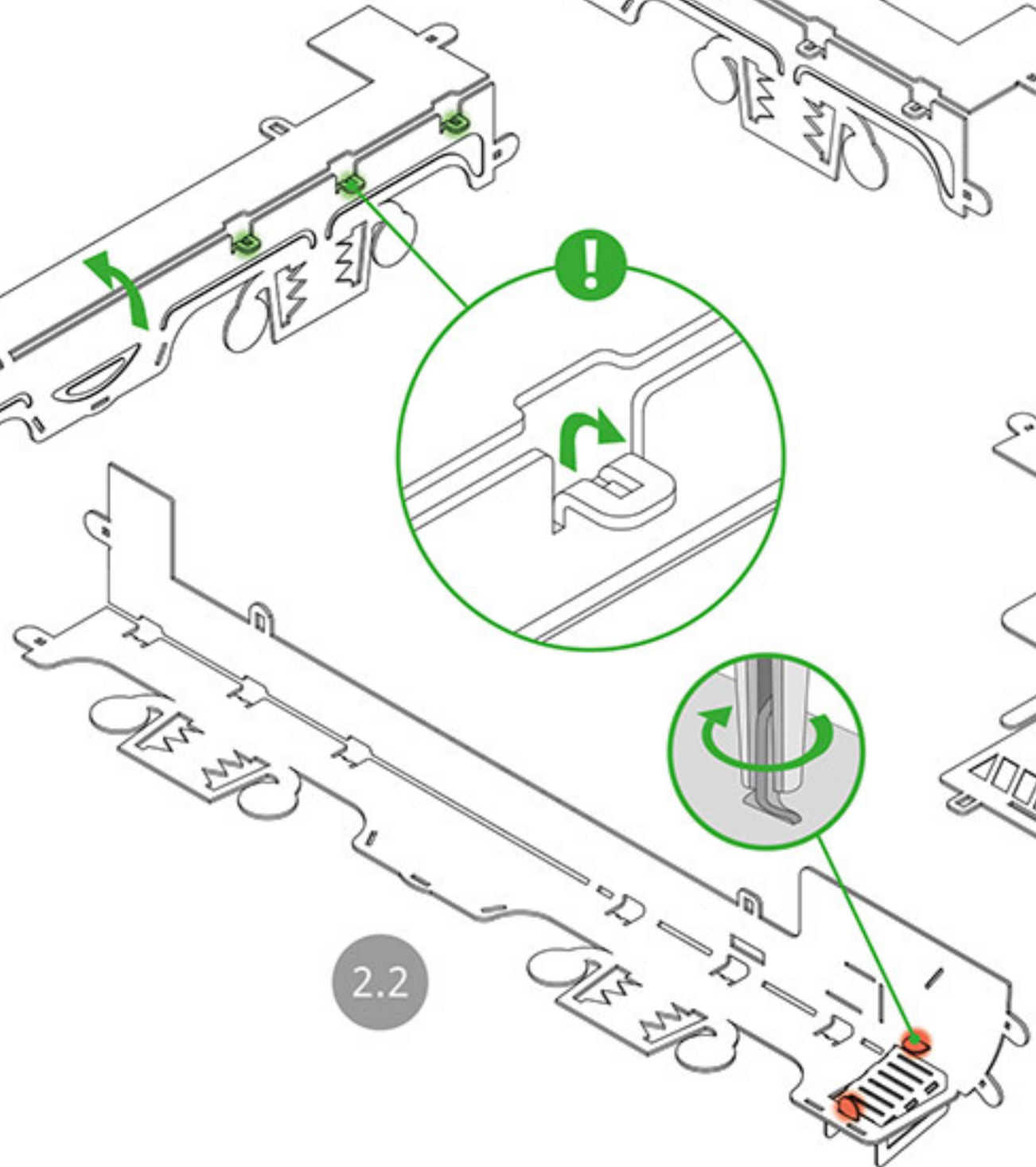
#4



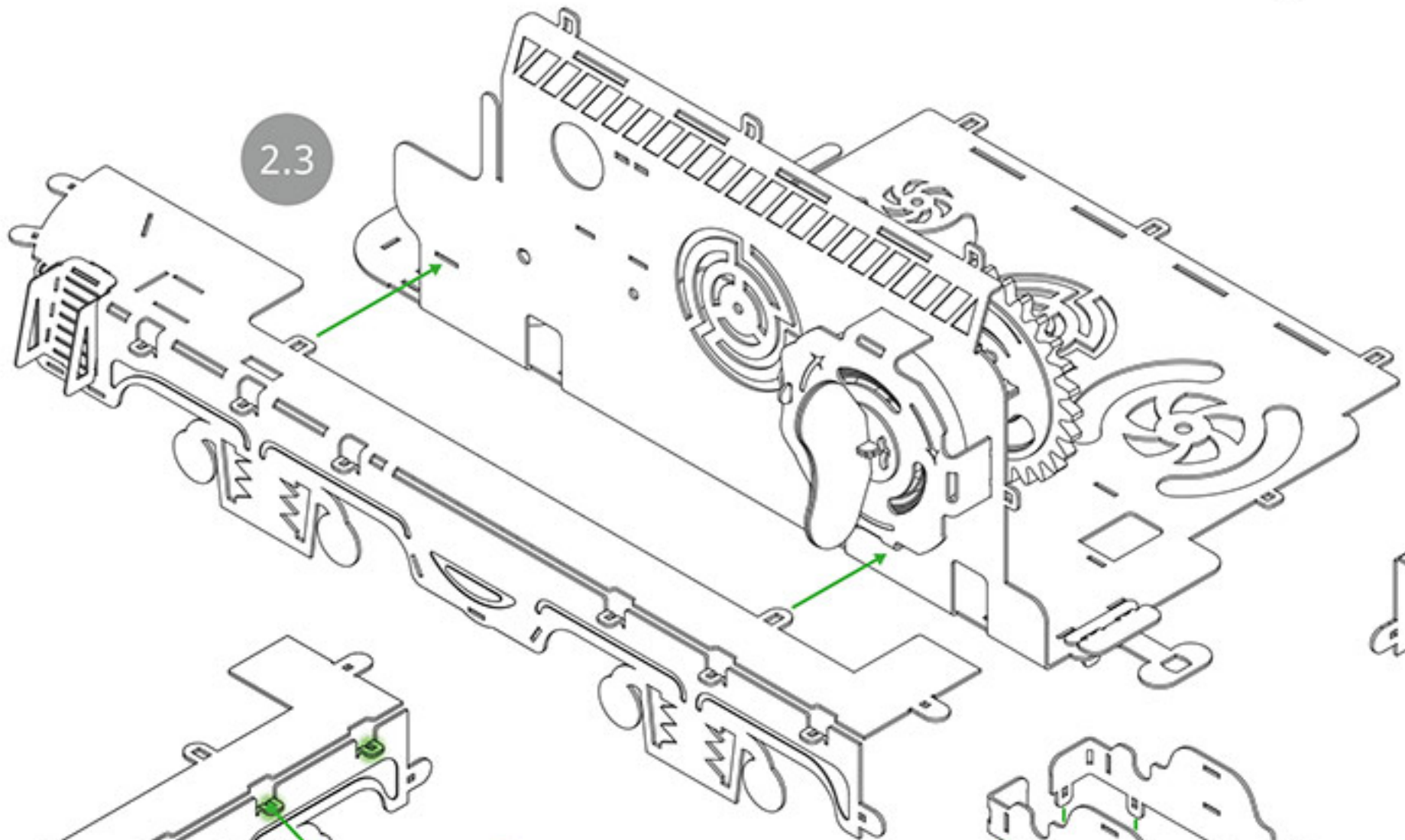
#7



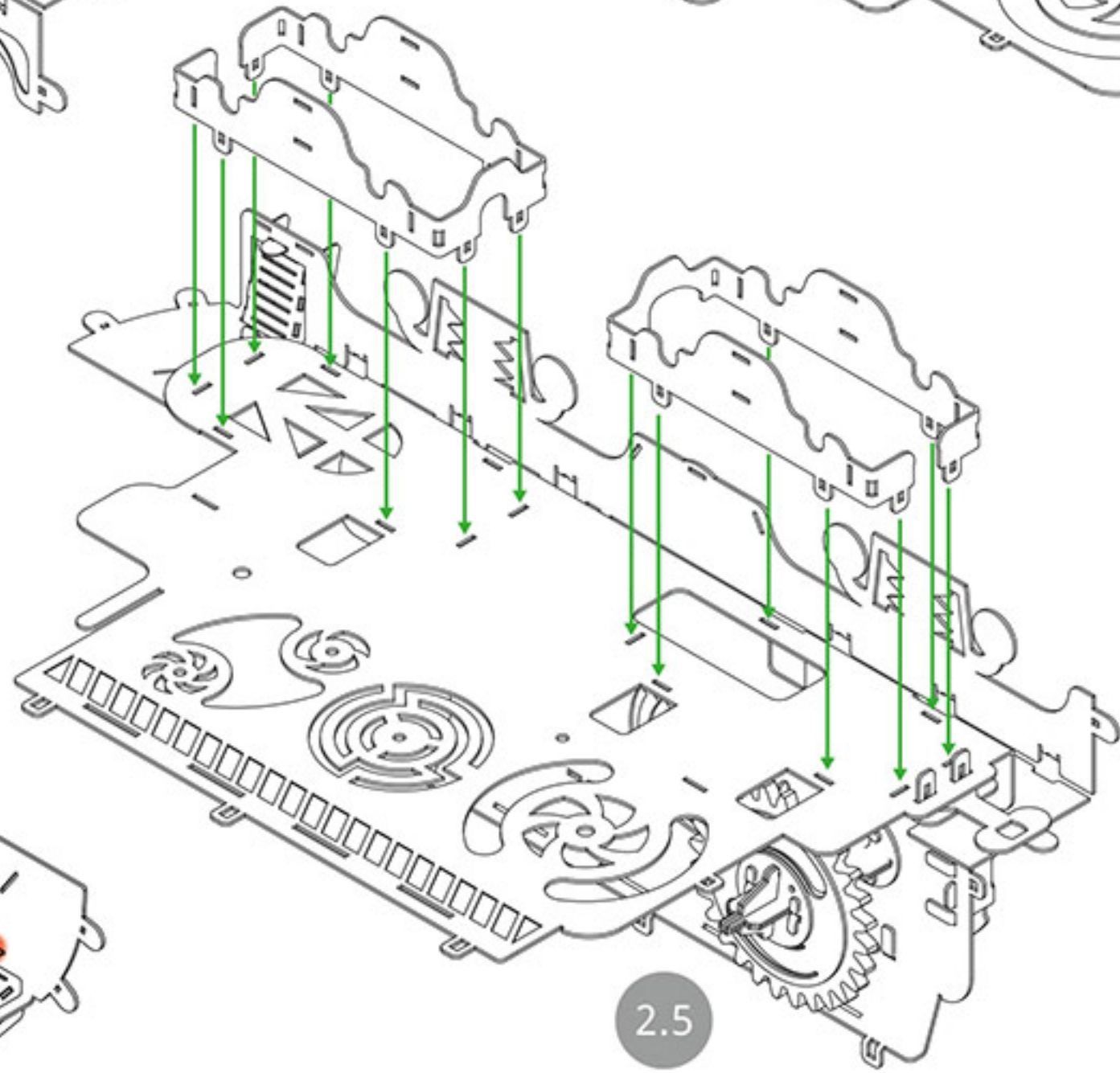
2.1



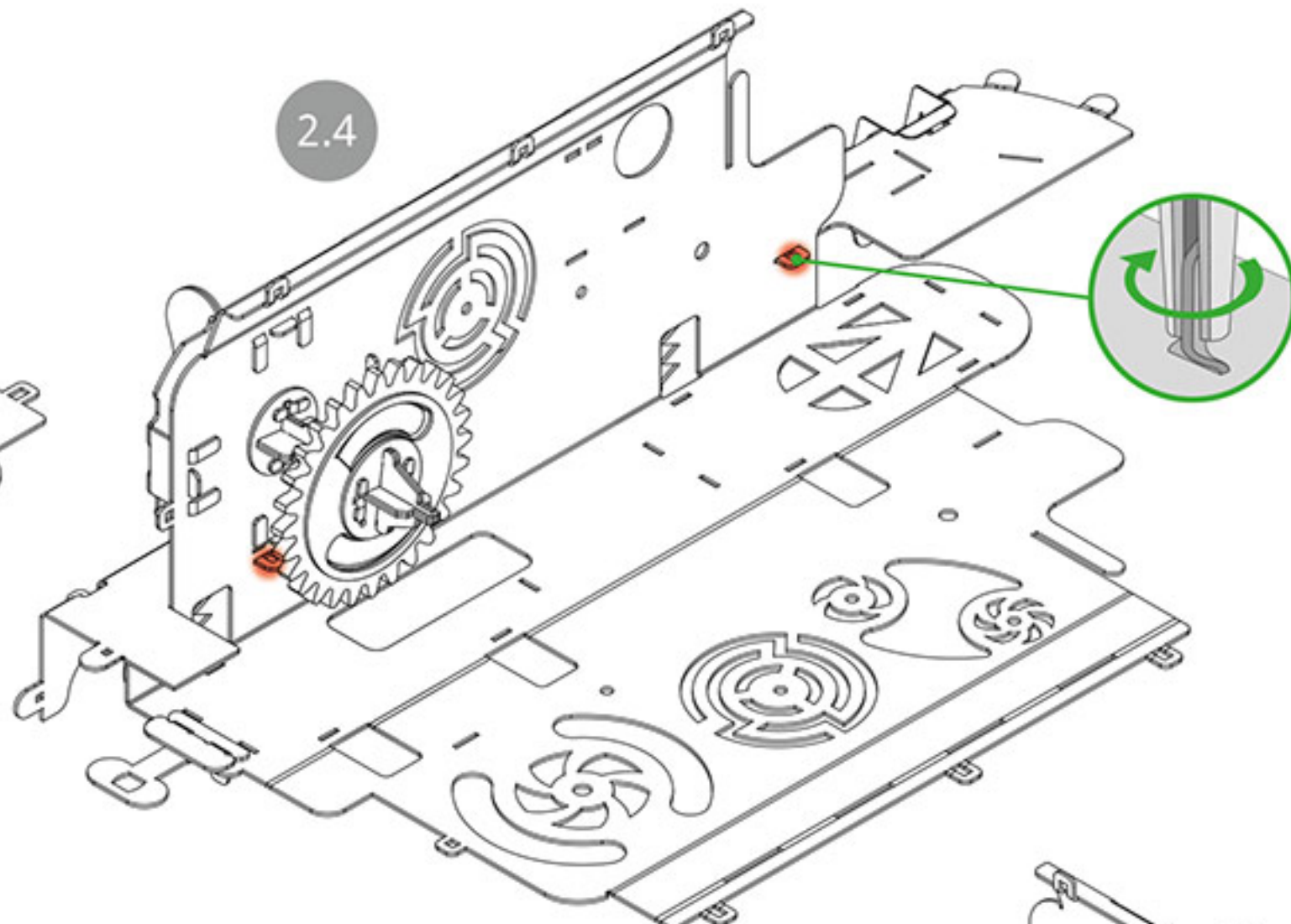
2.2



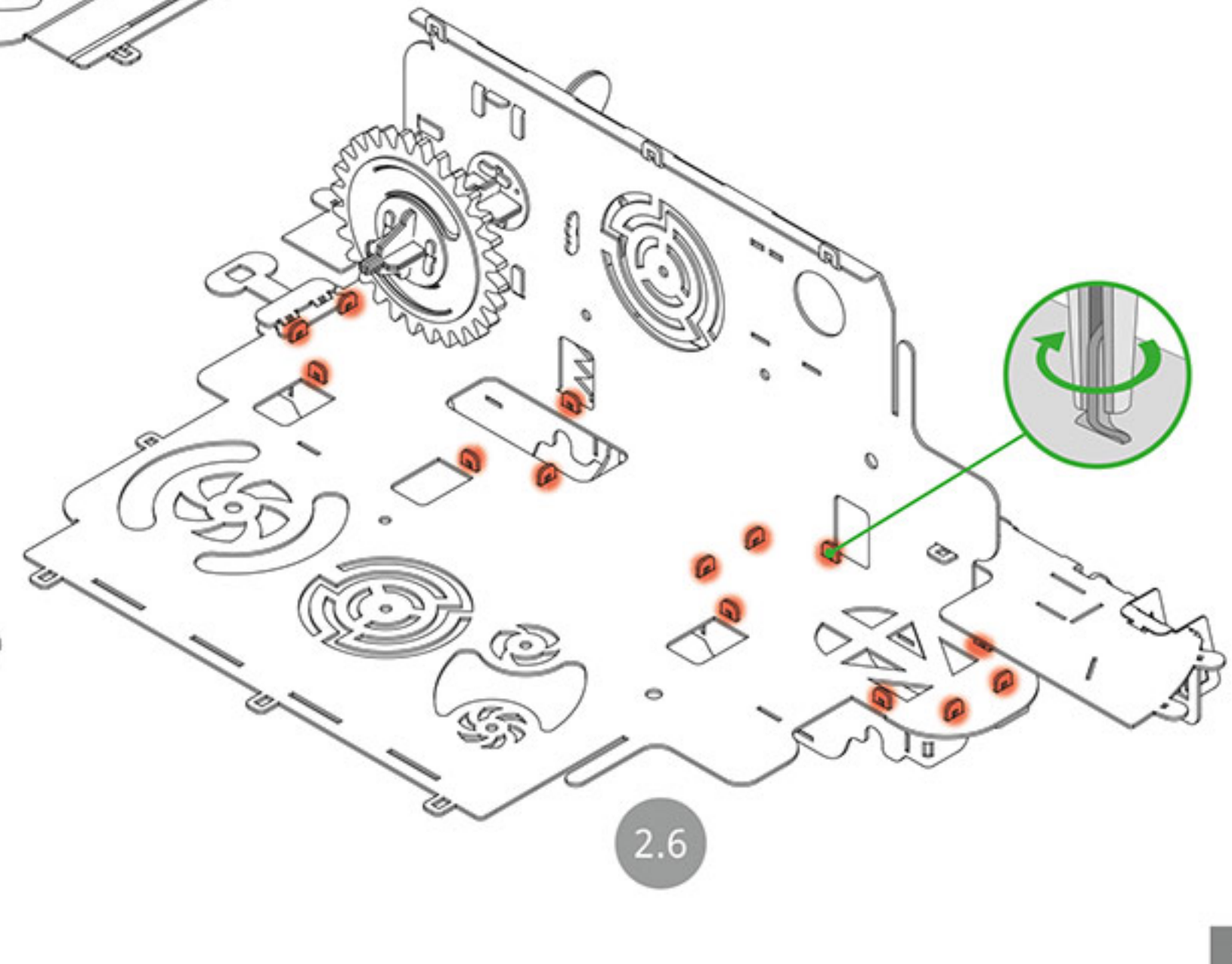
2.3



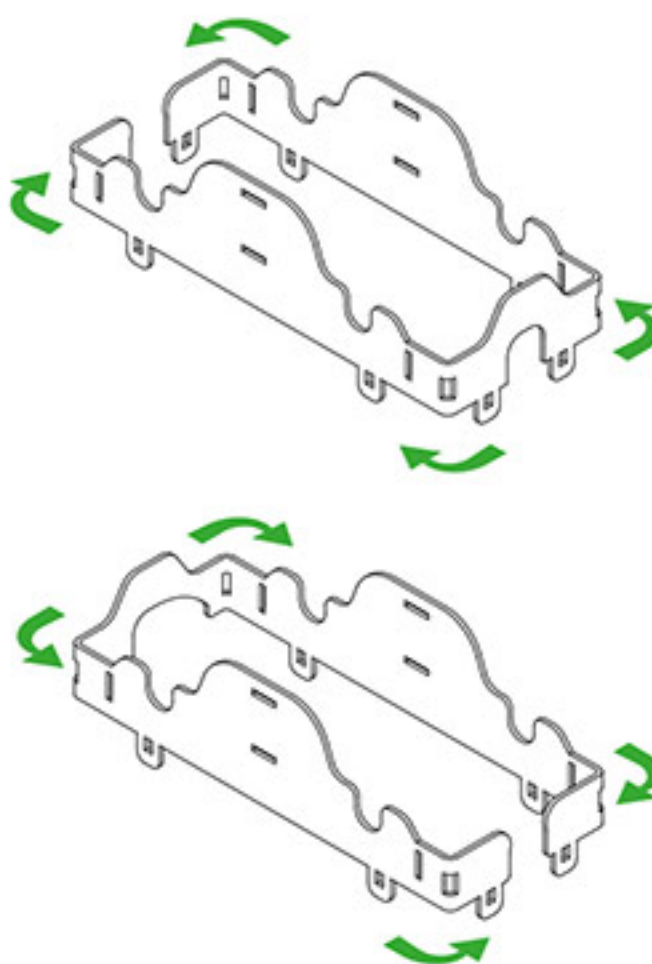
2.5

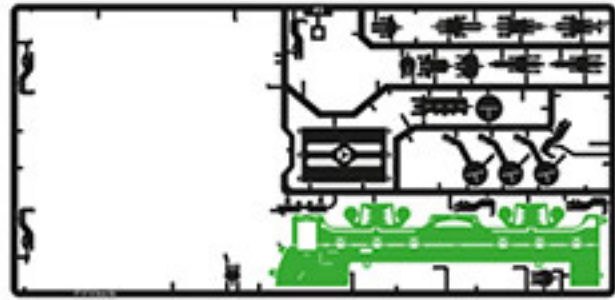


2.4

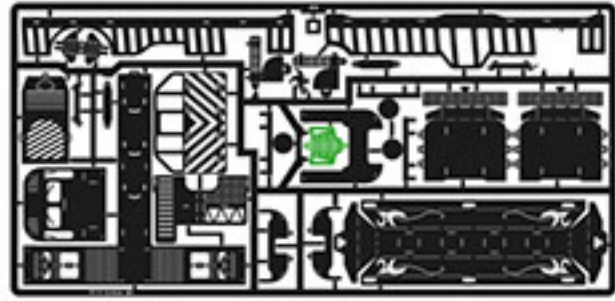


2.6

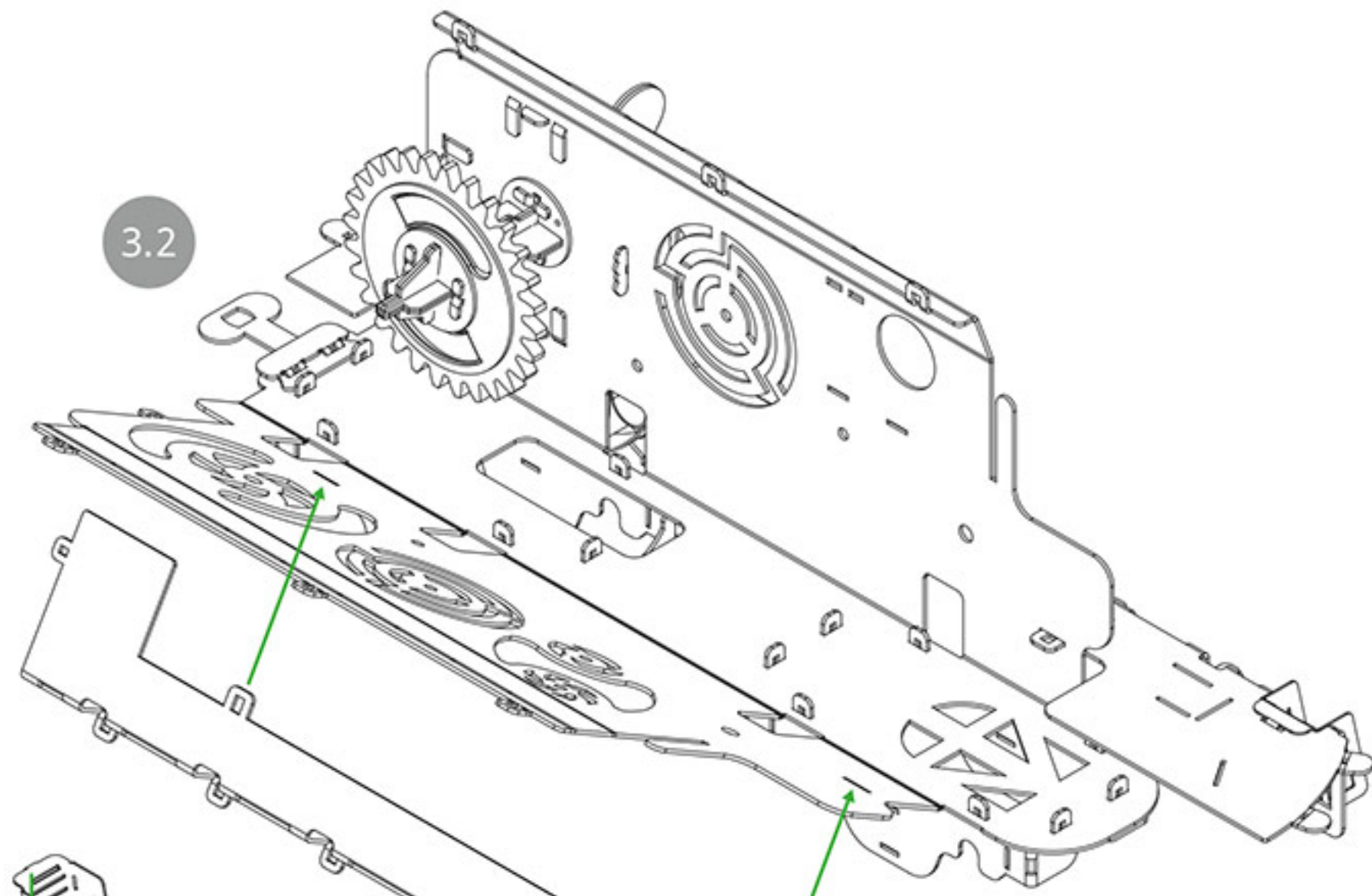




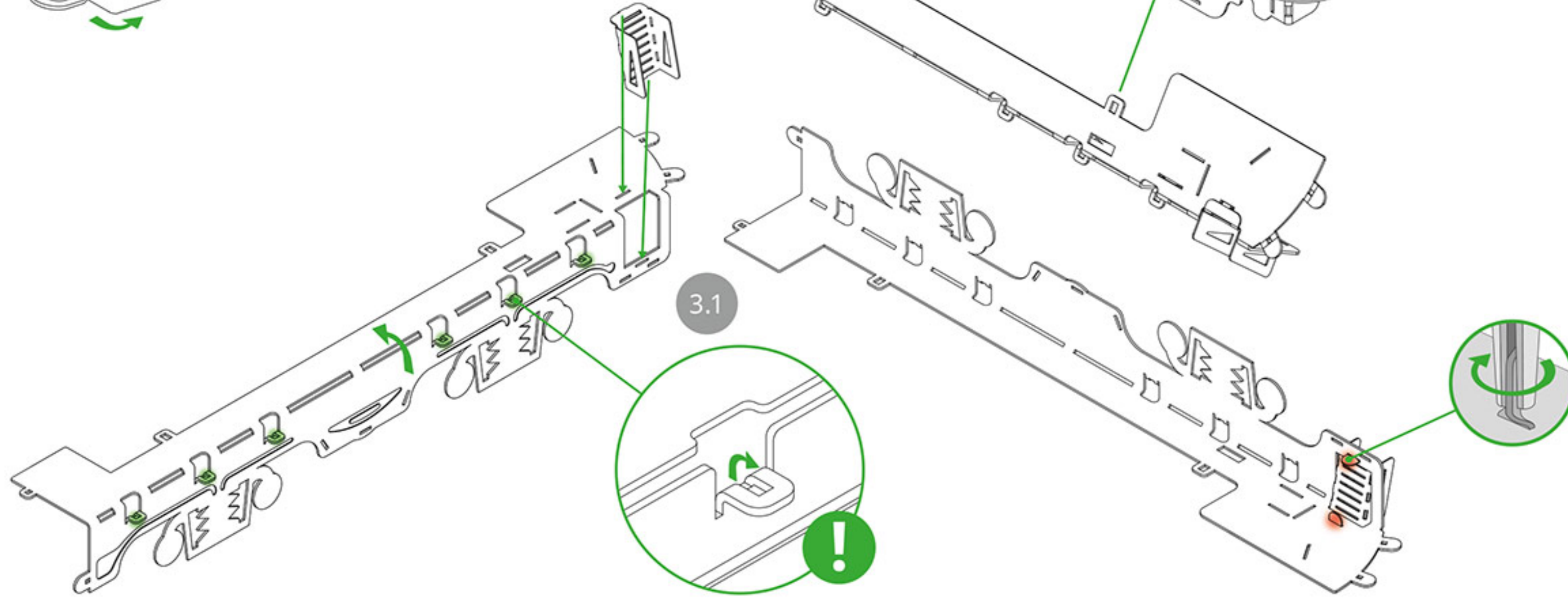
#1



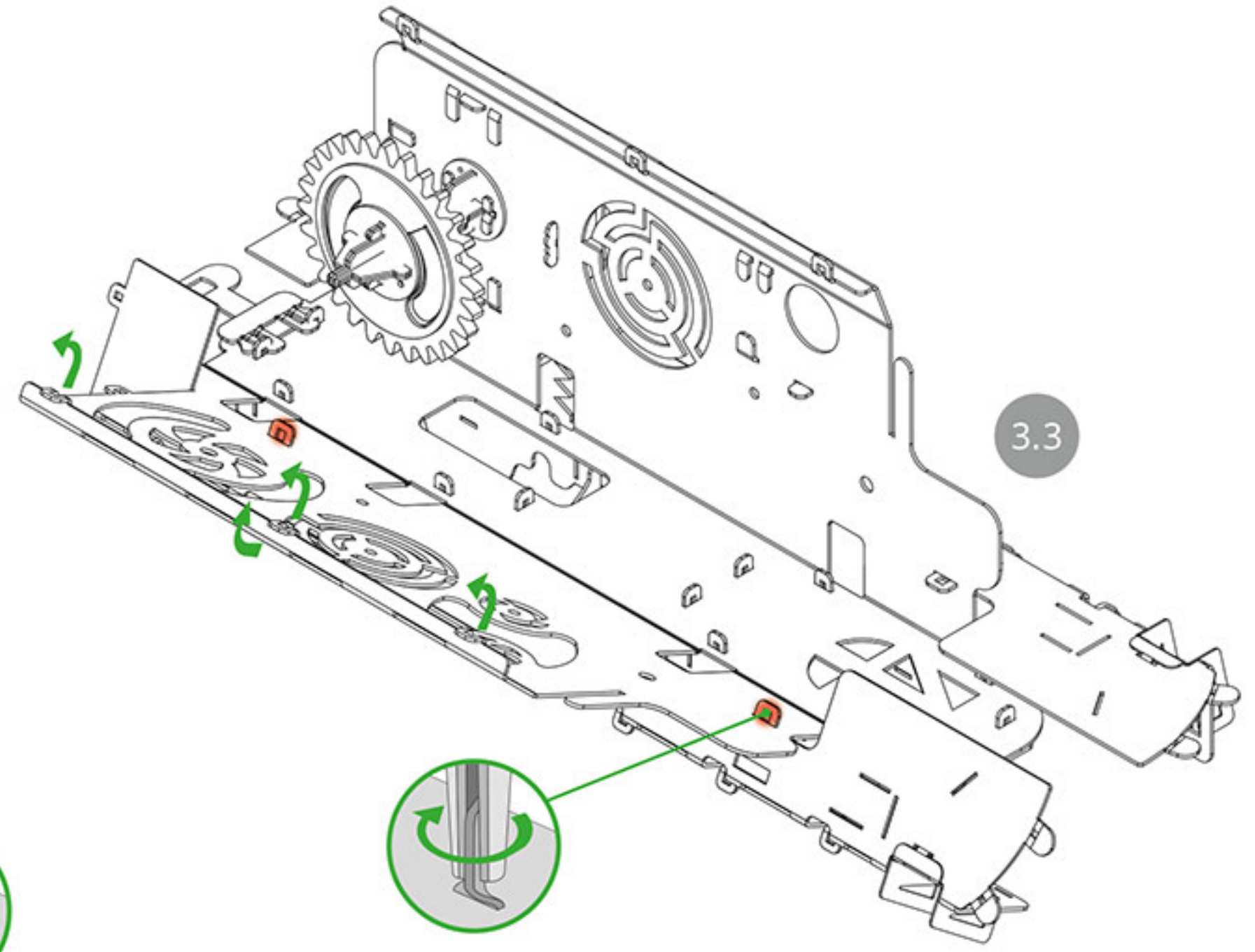
#4



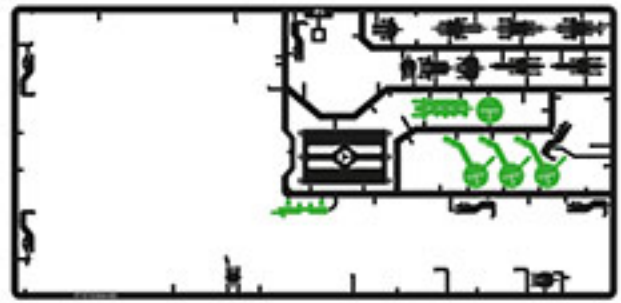
3.2



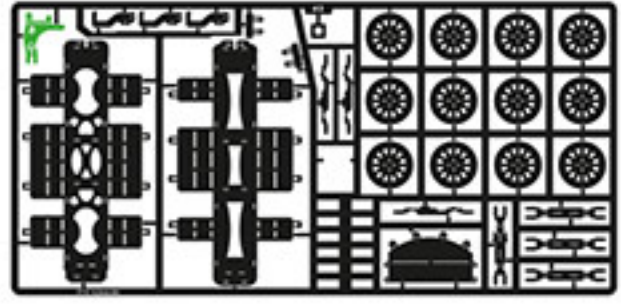
3.1



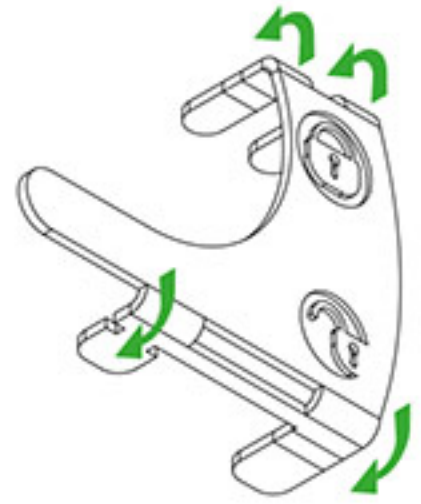
3.3



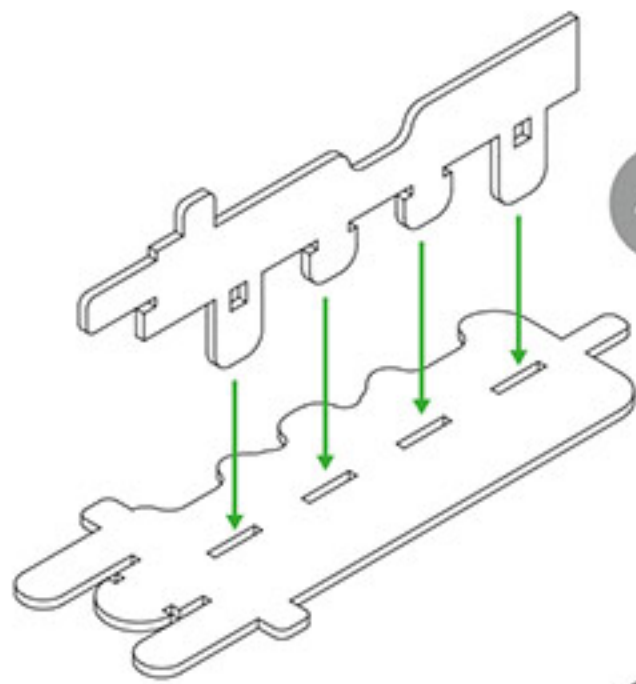
#1



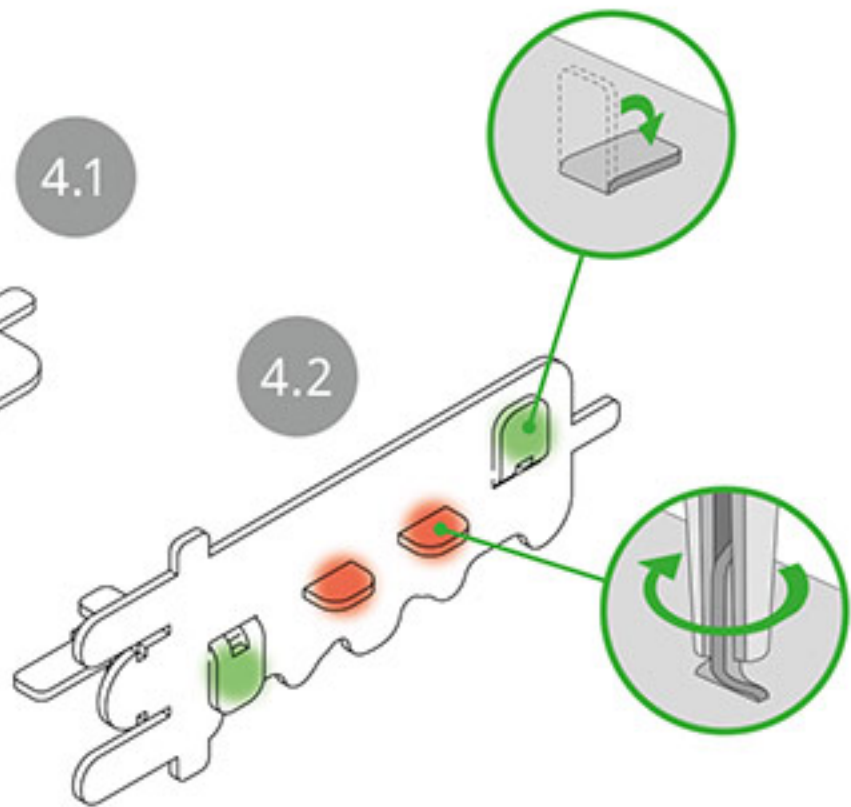
#3



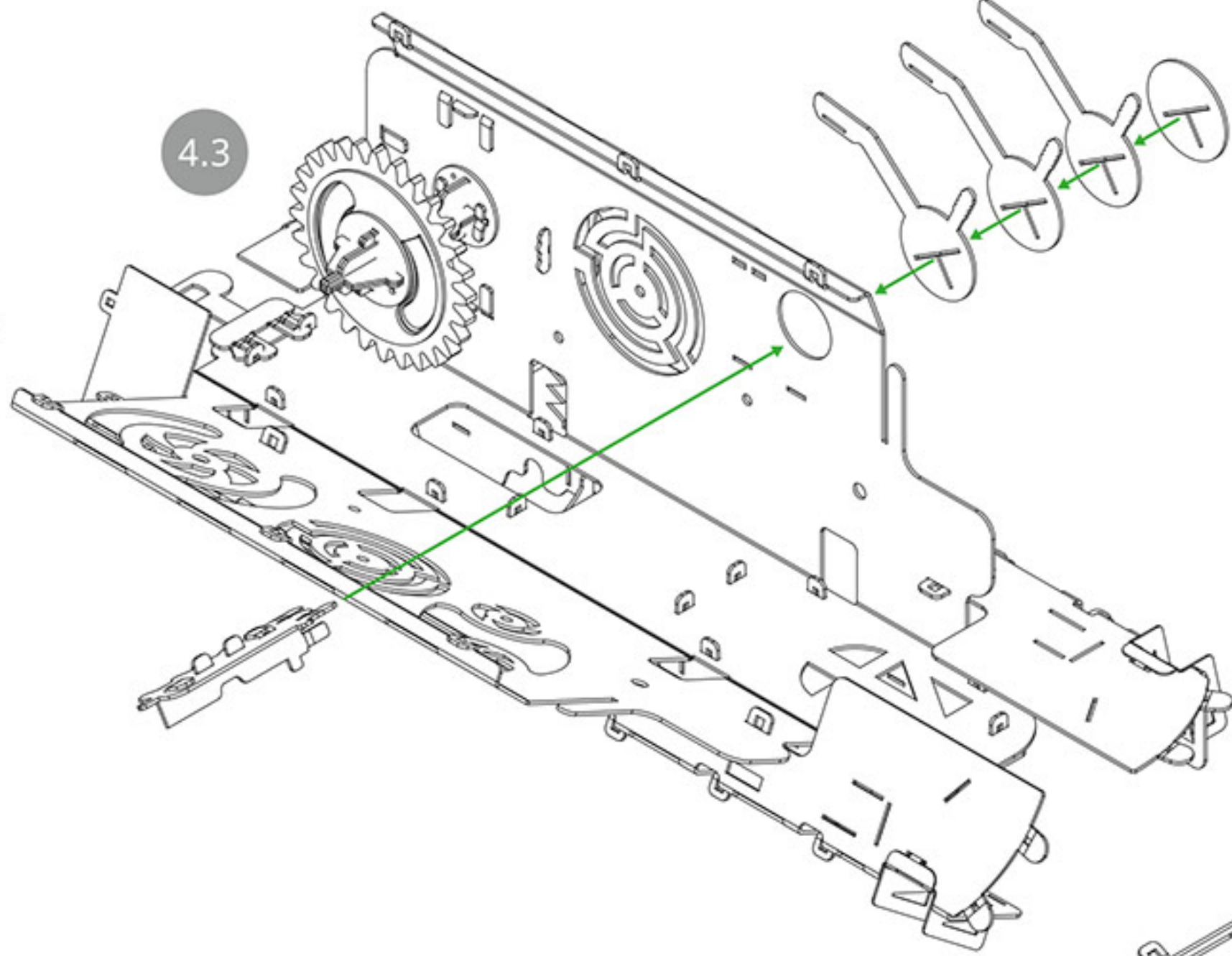
4.1



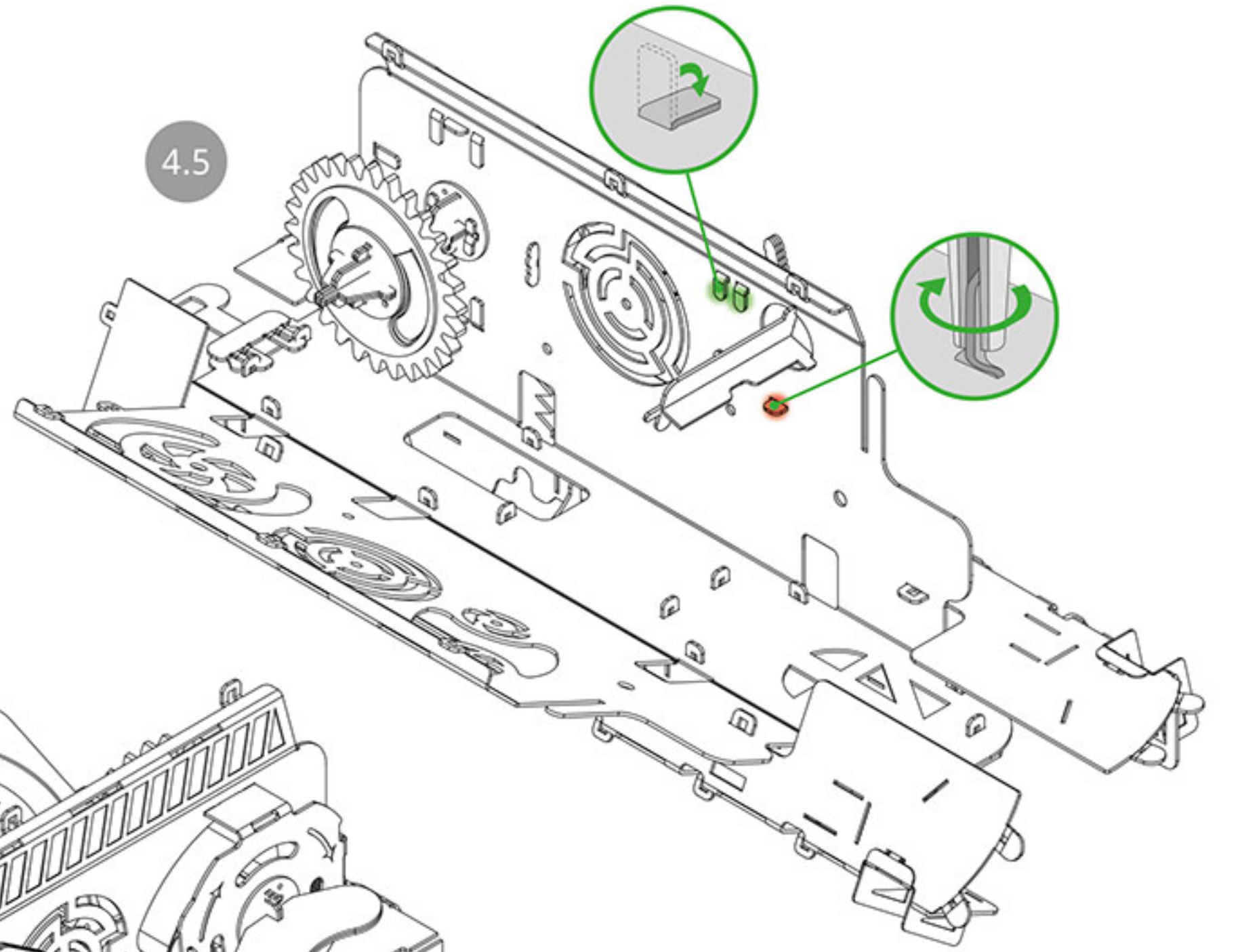
4.2



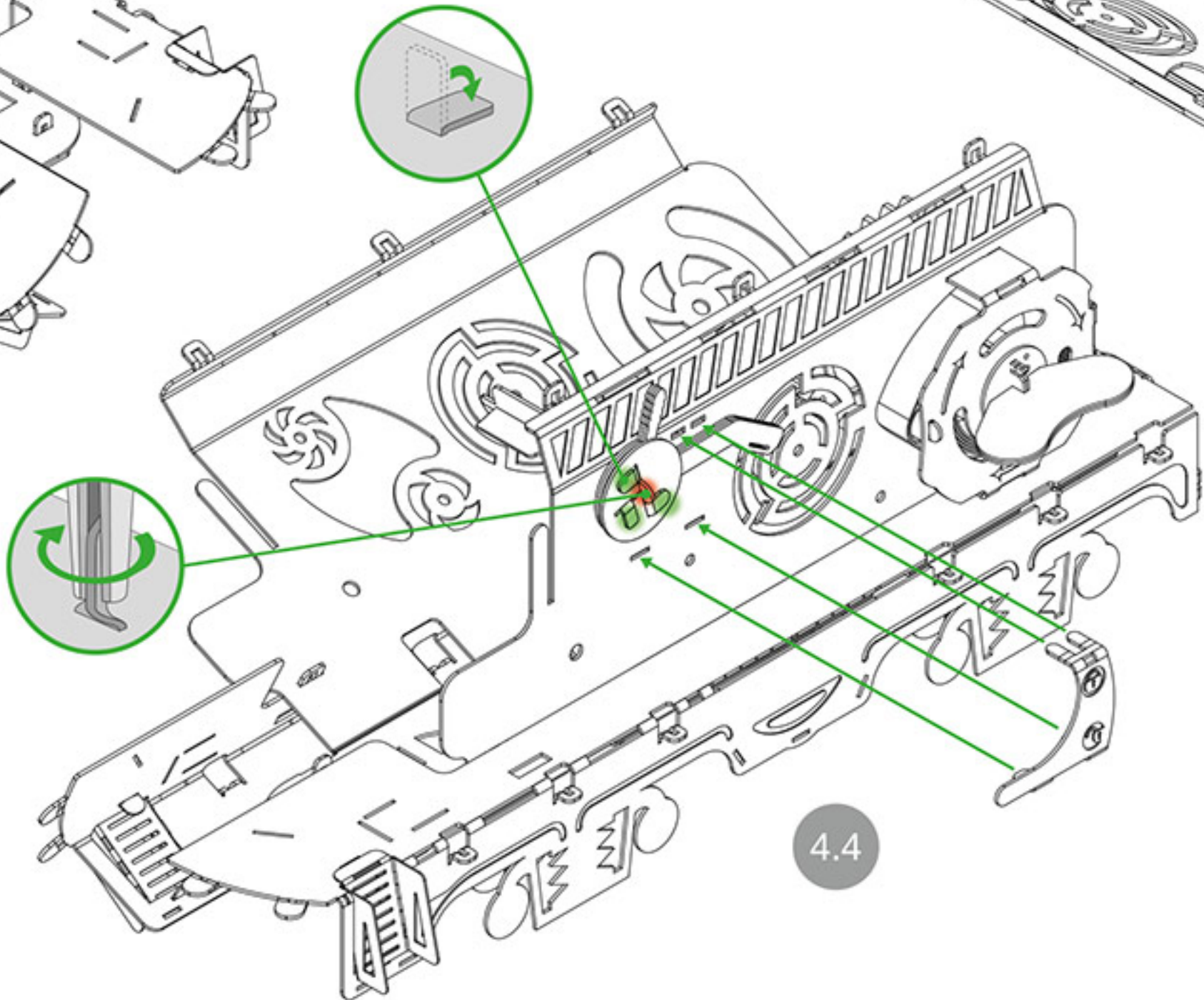
4.3

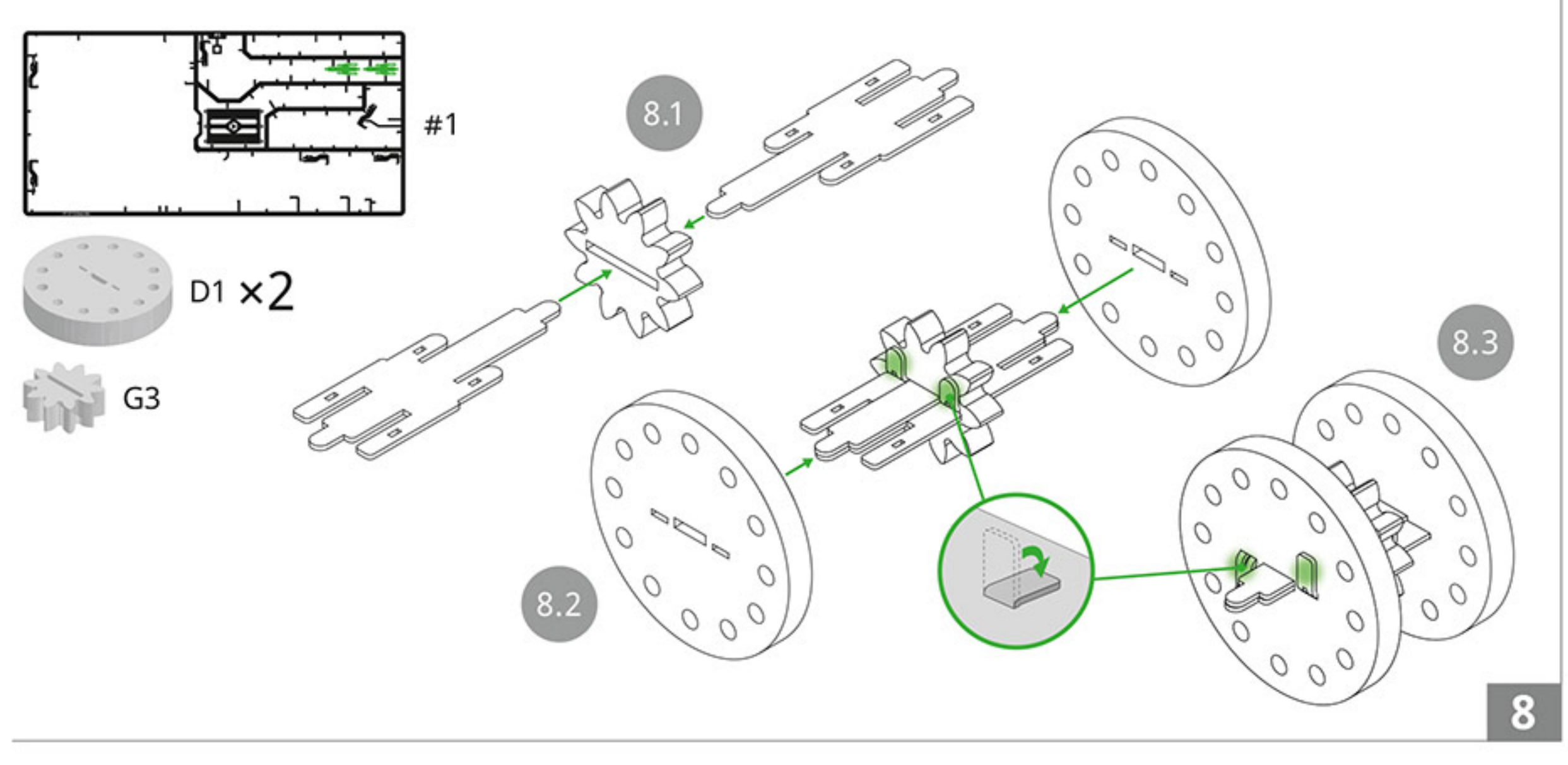
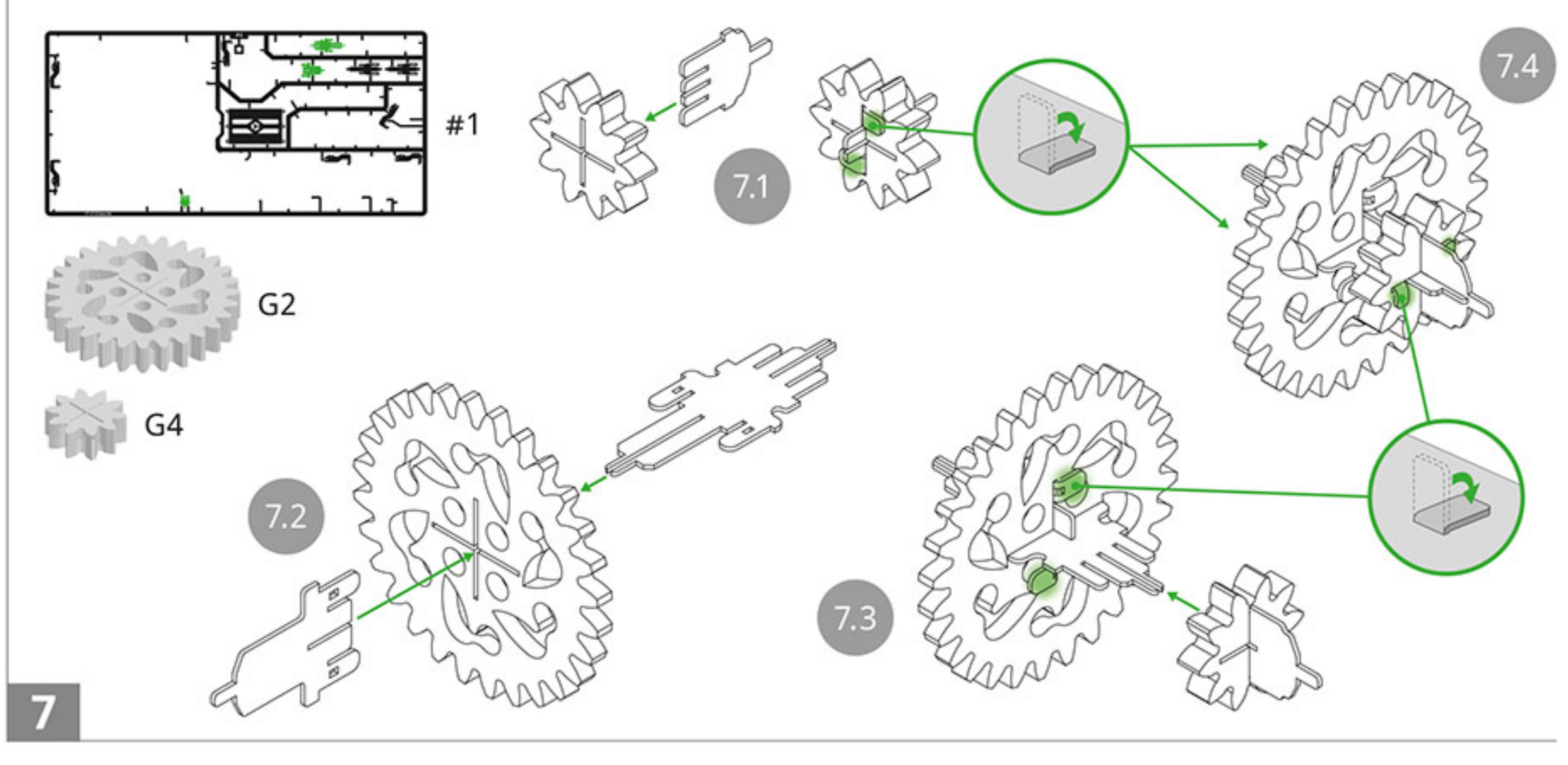
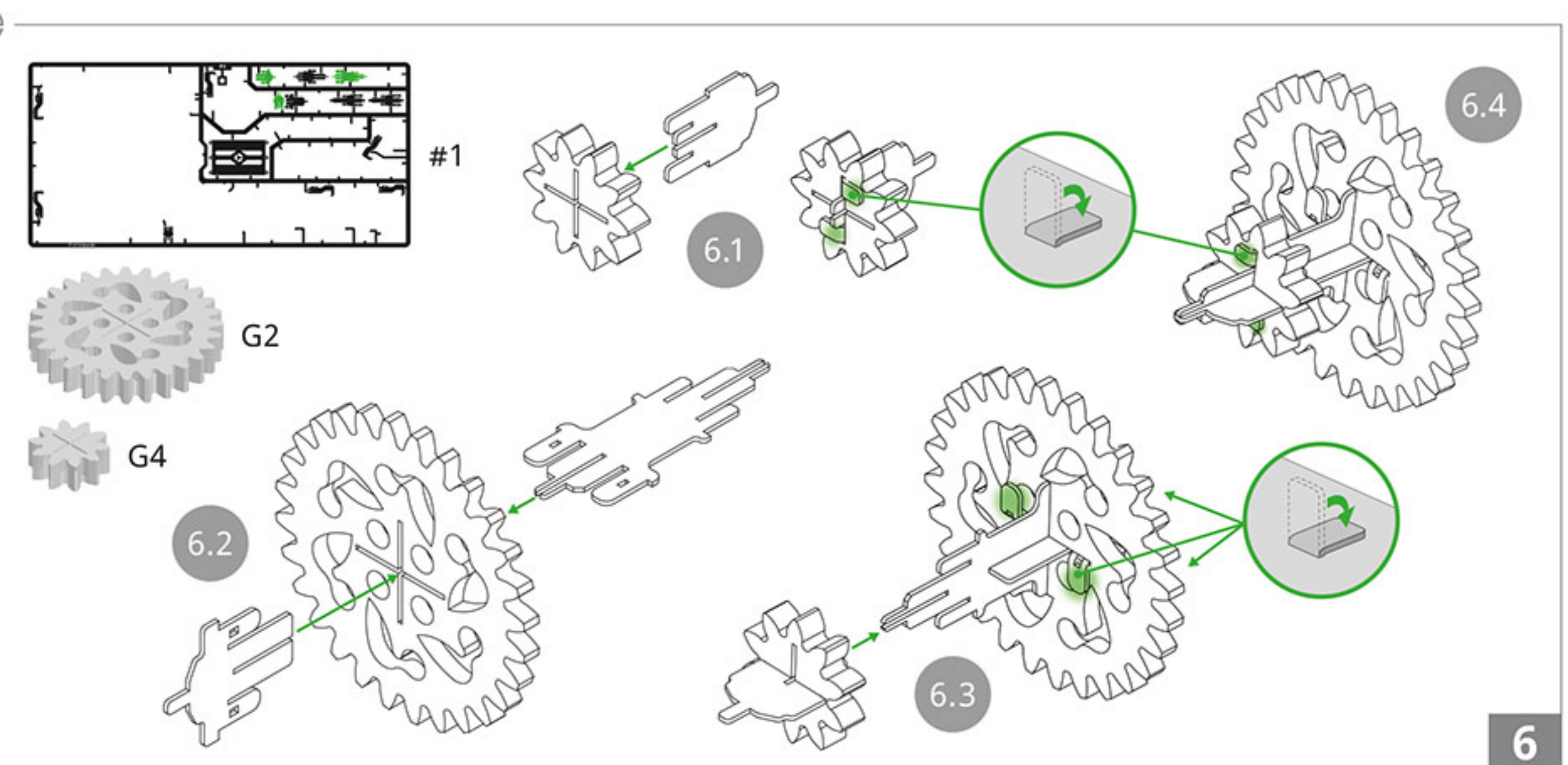
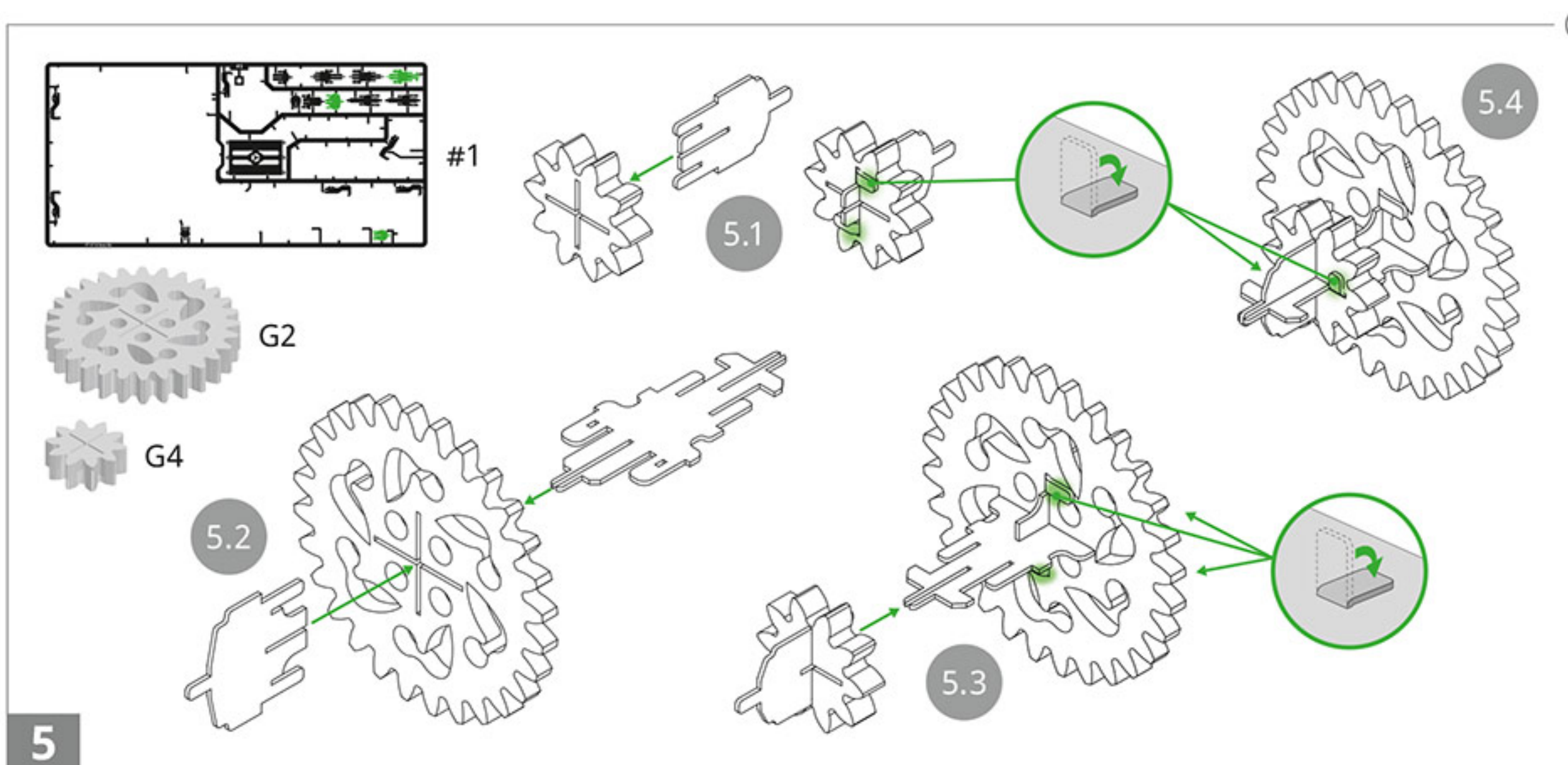


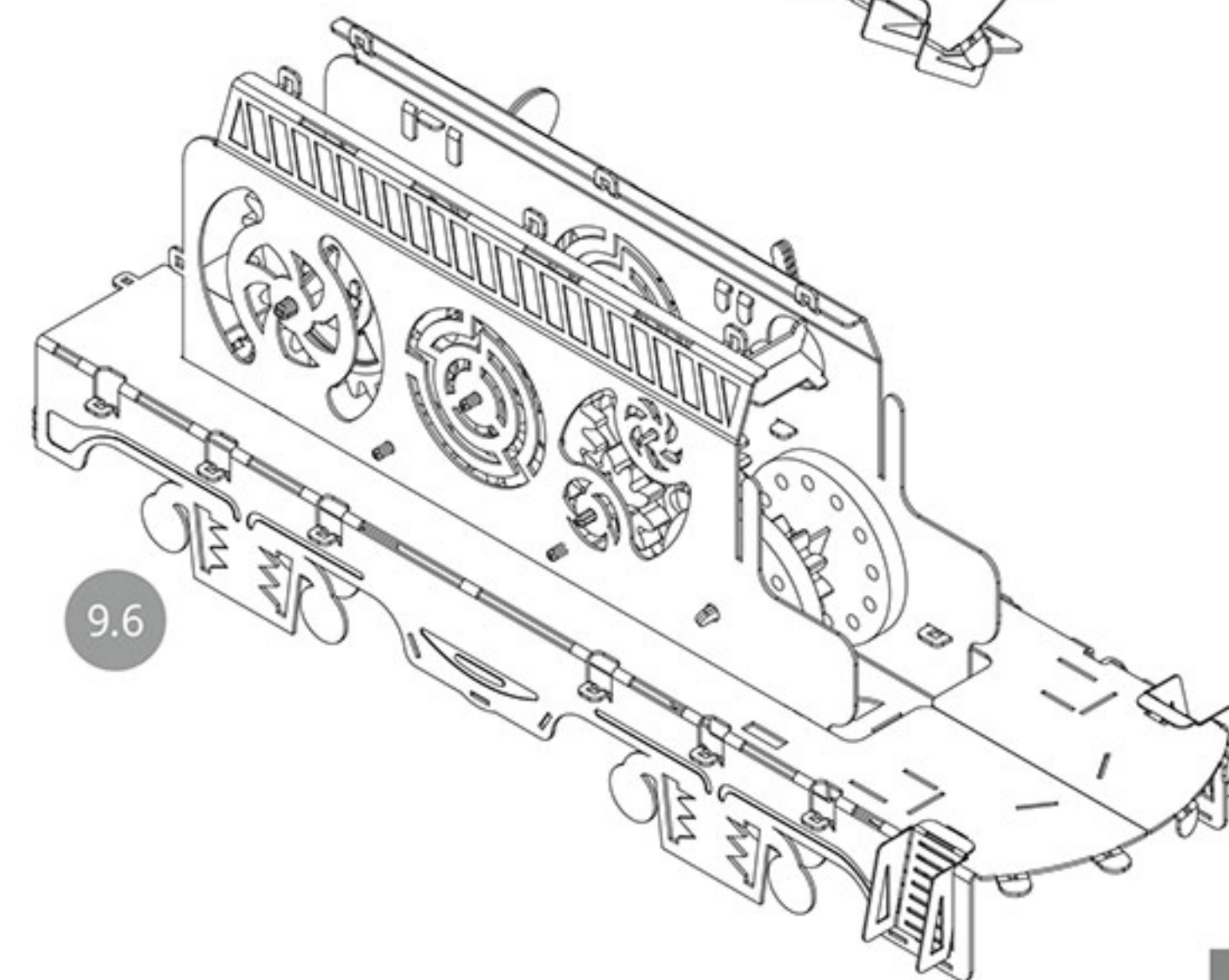
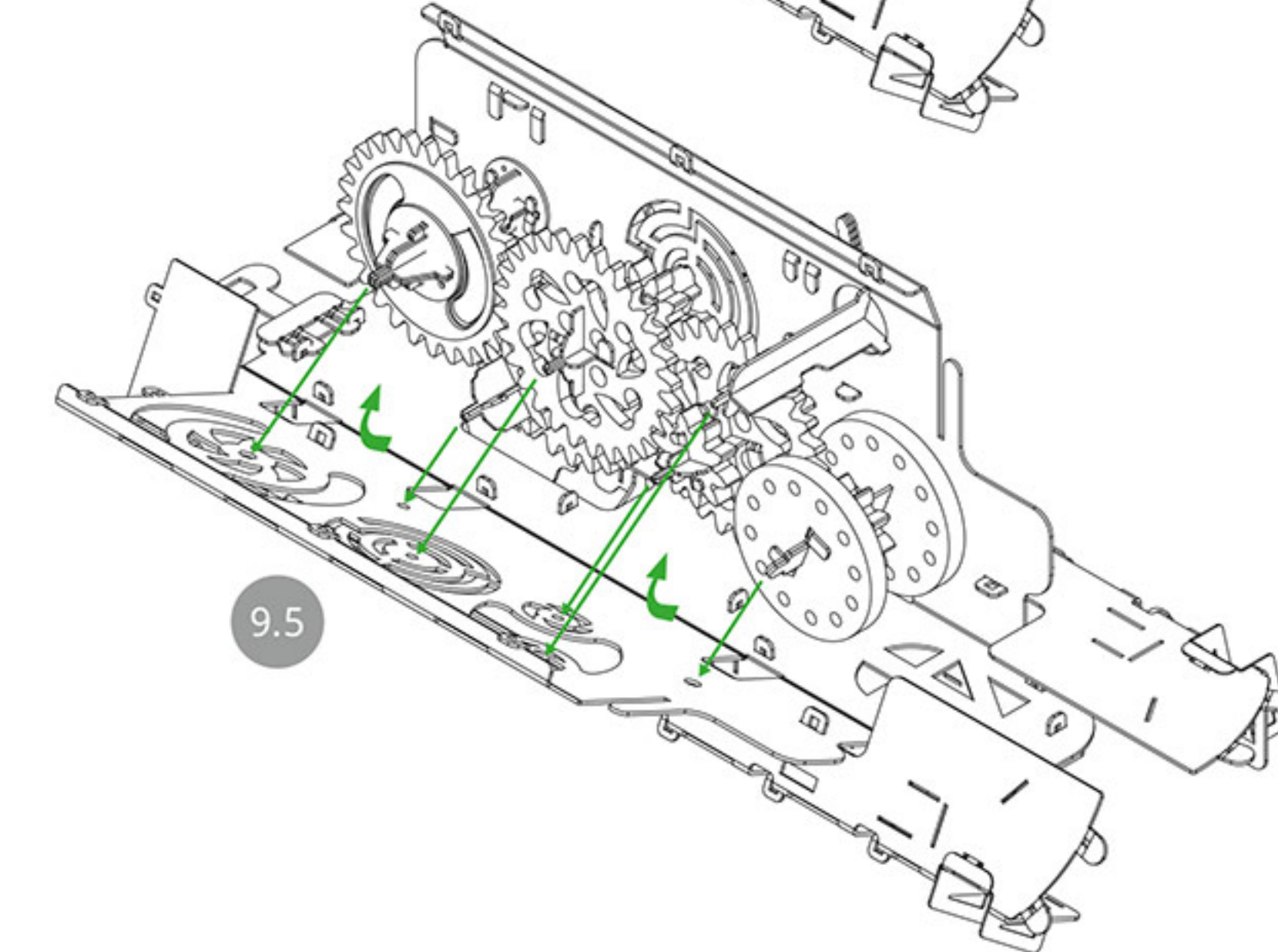
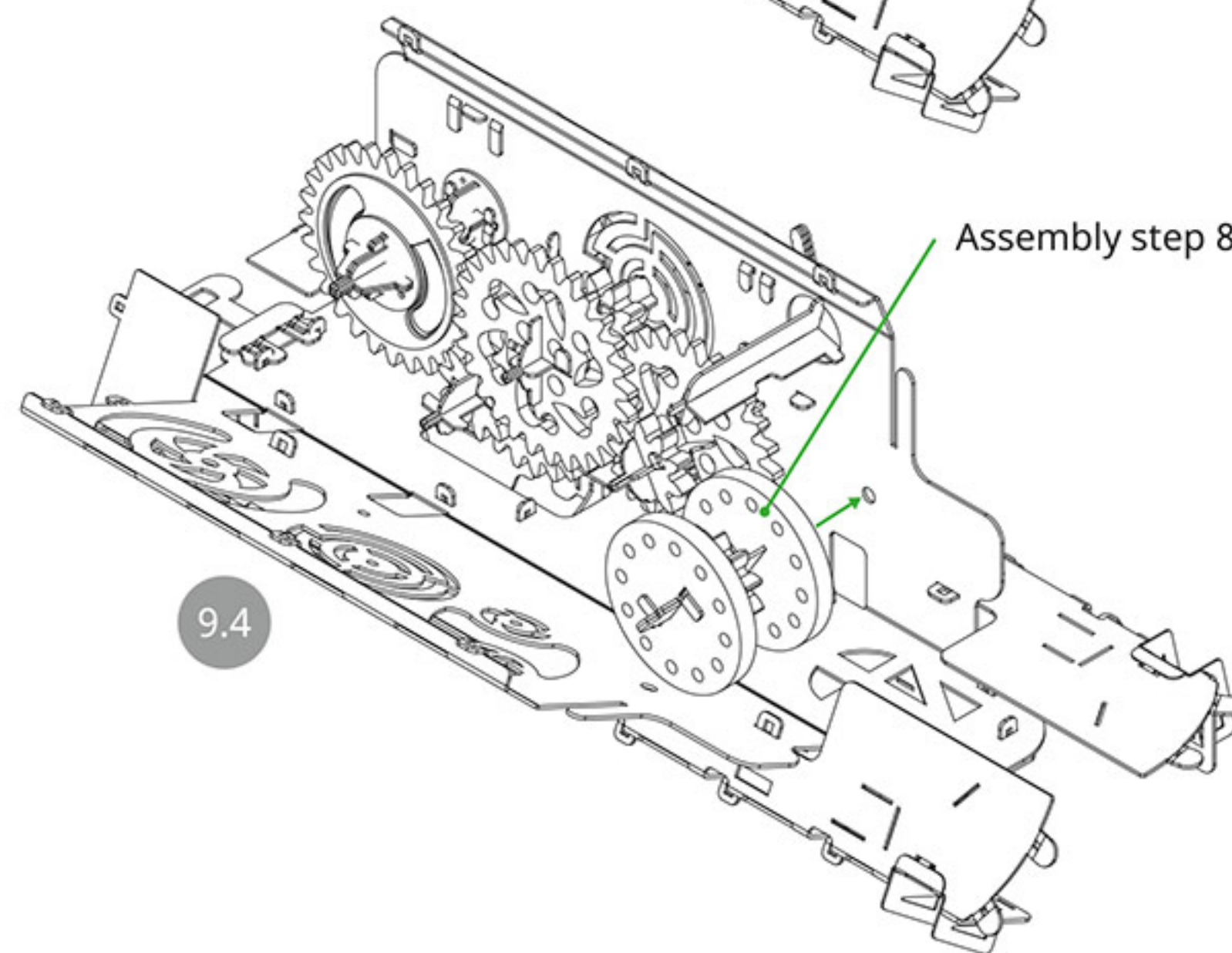
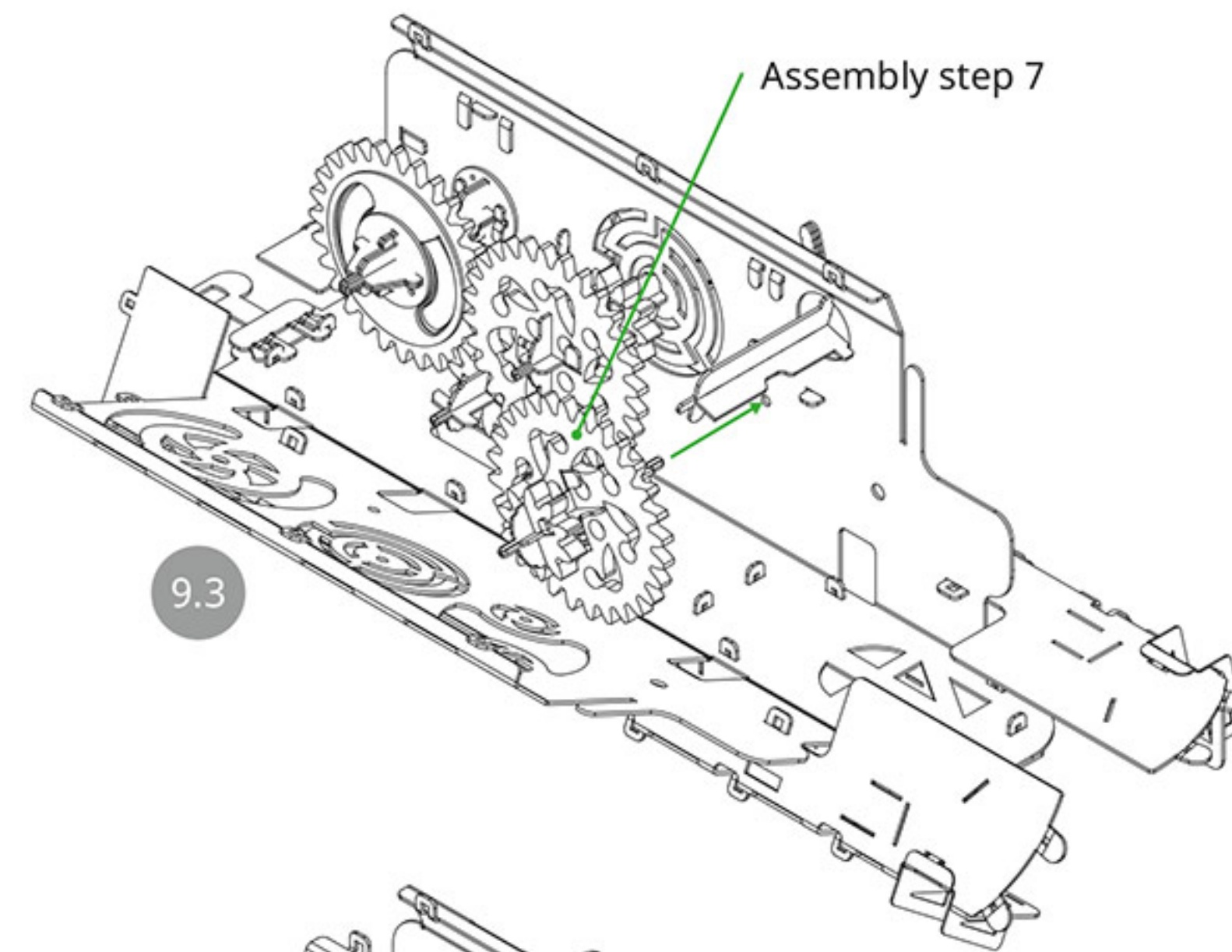
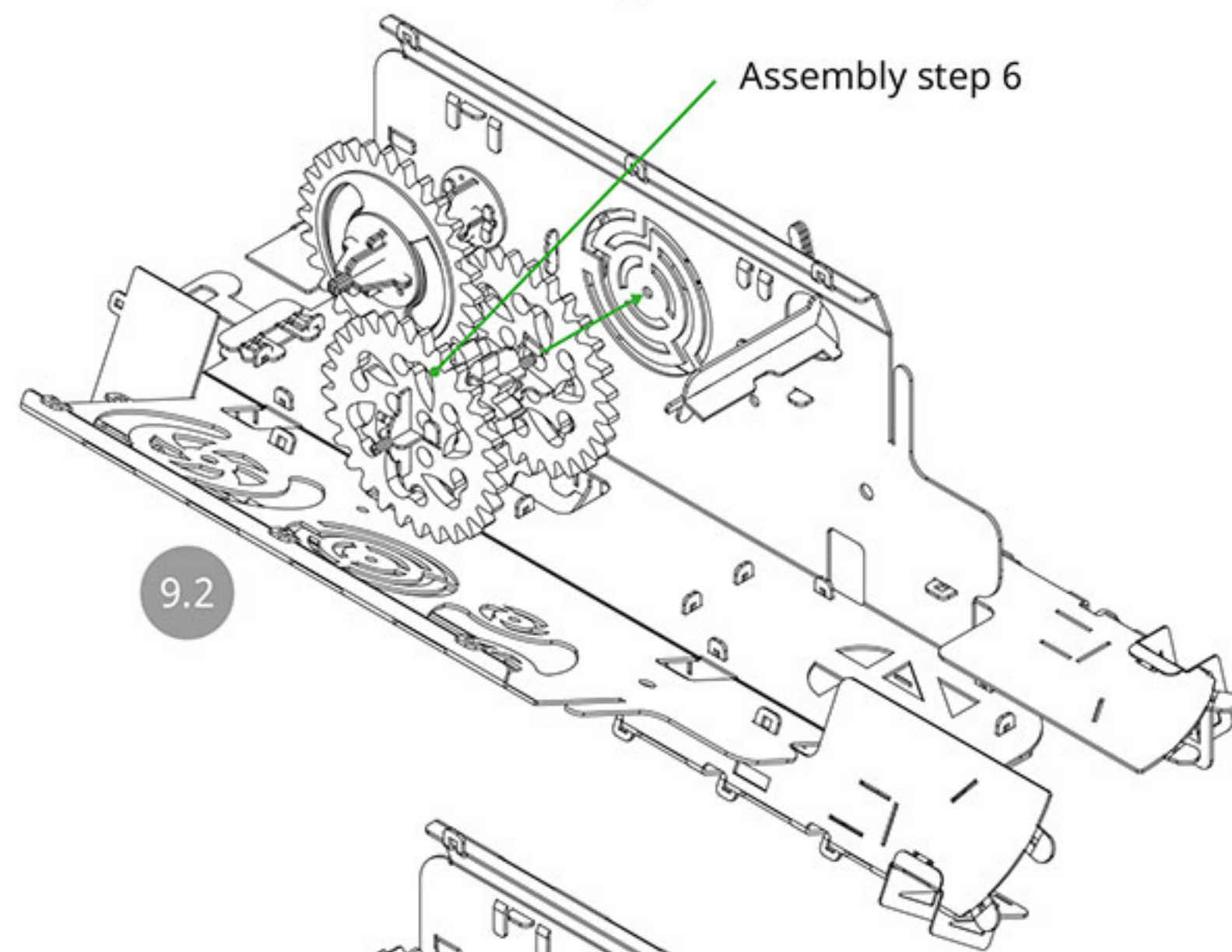
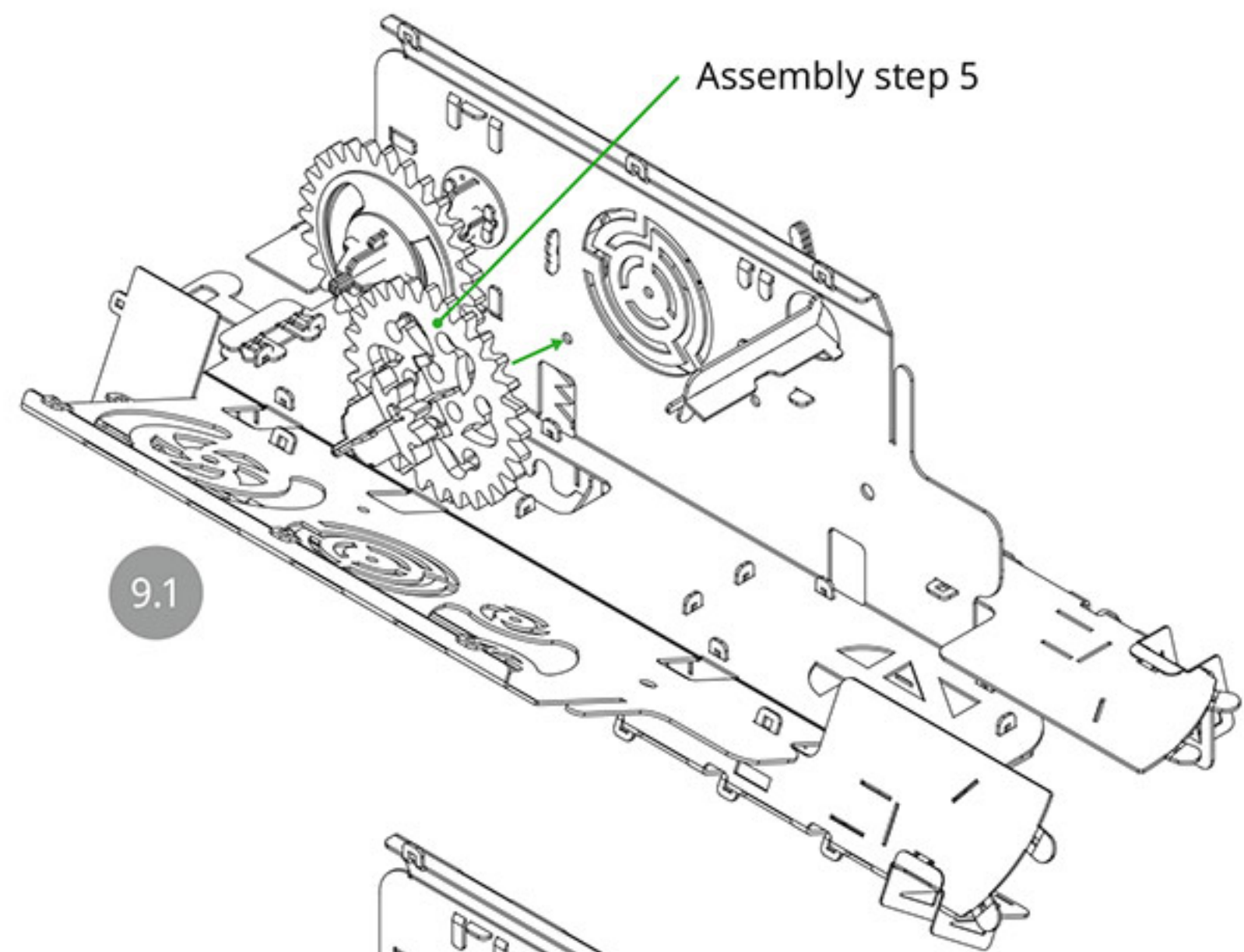
4.5

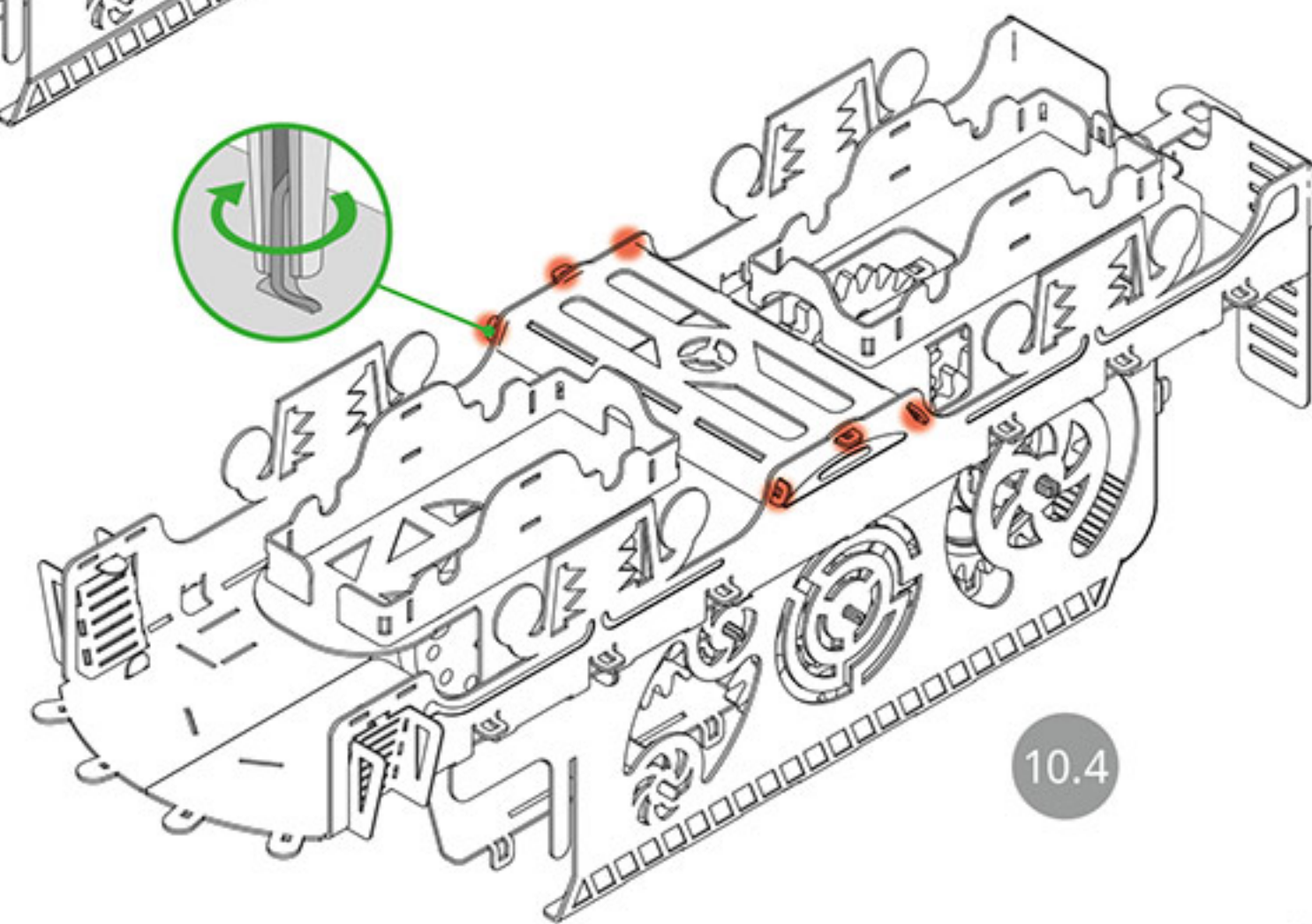
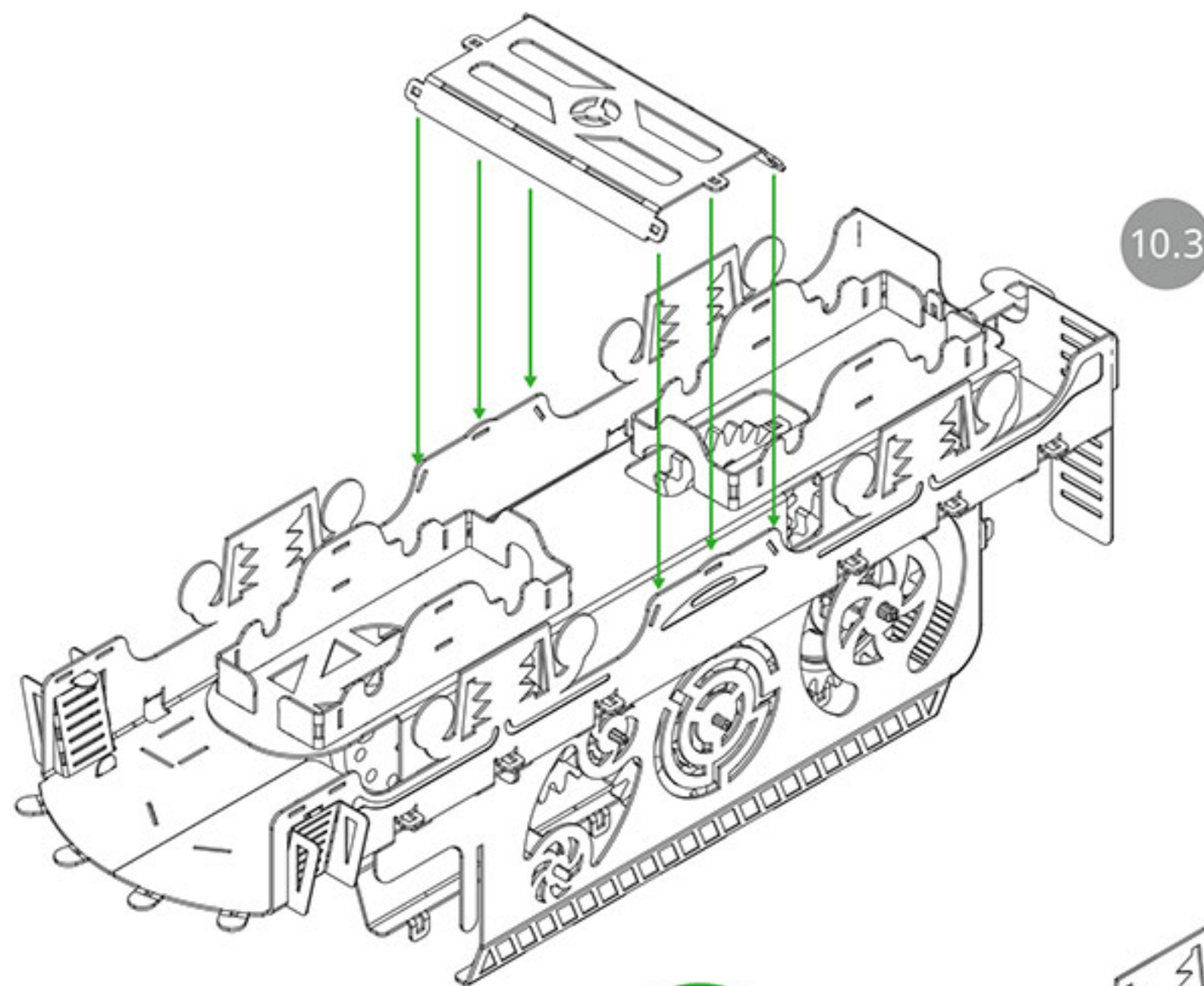
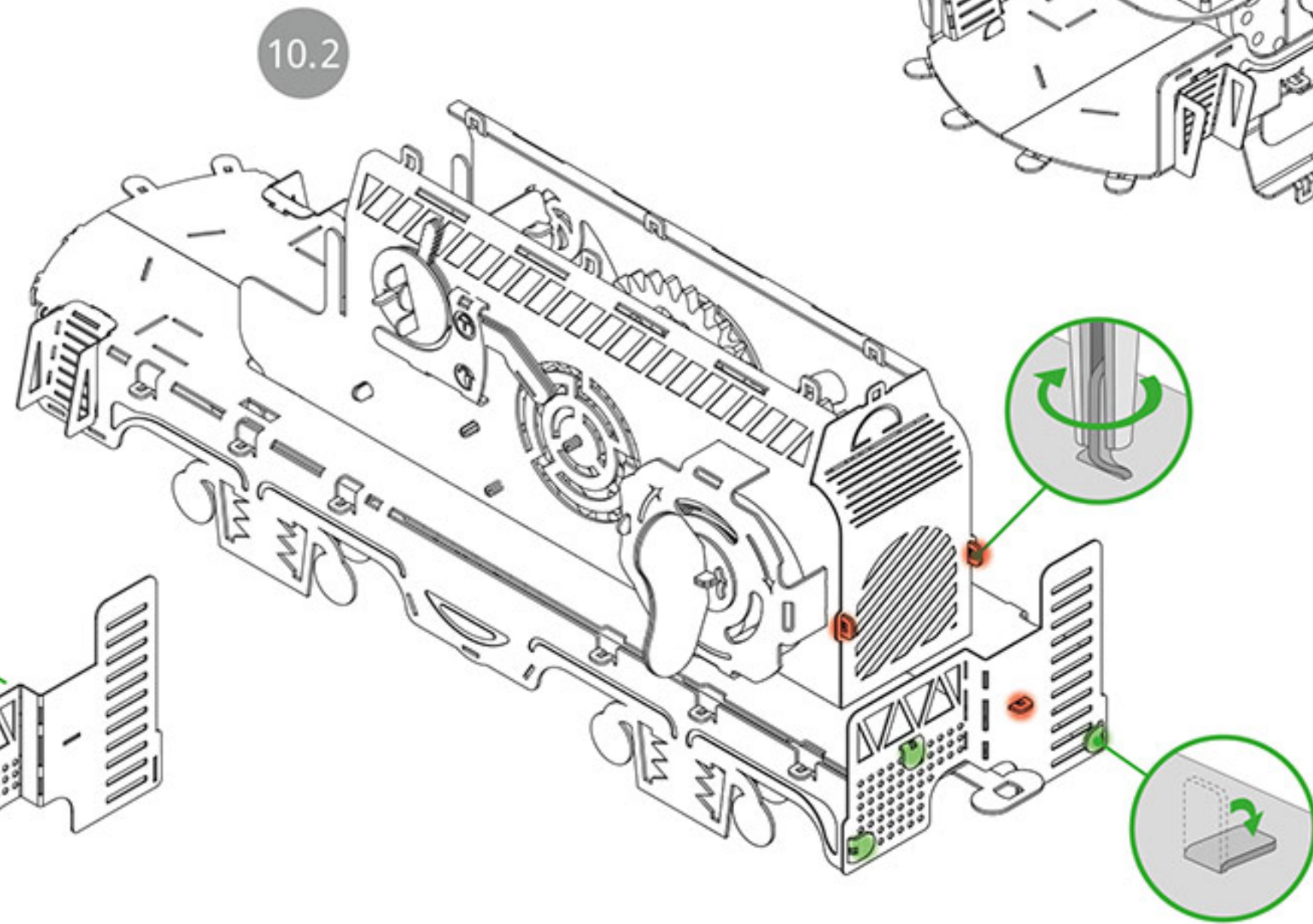
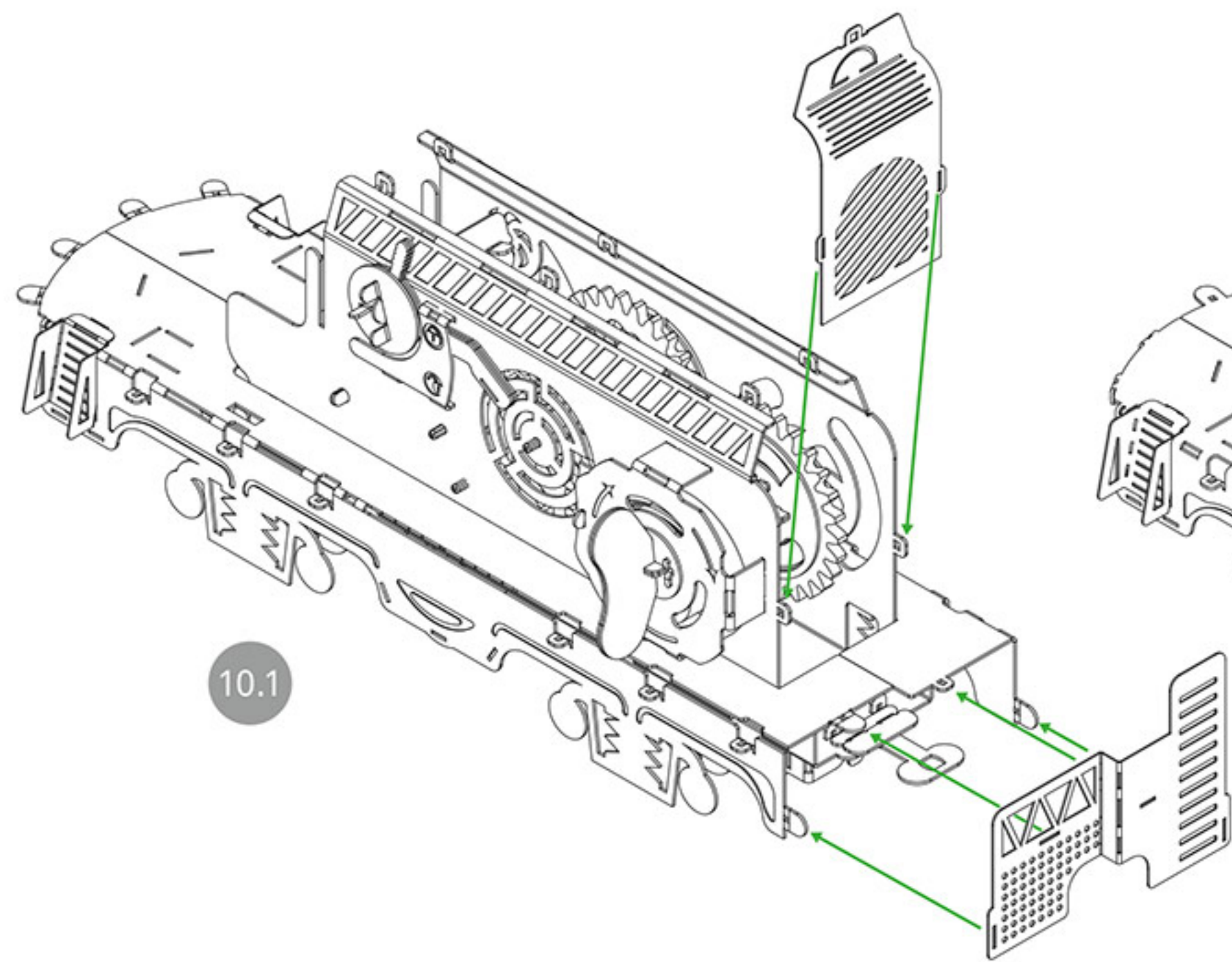
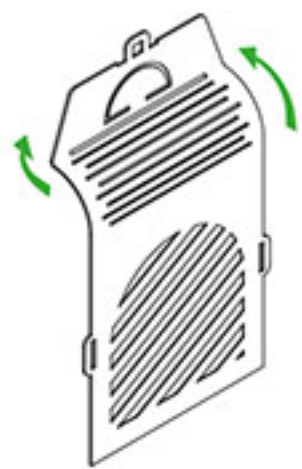
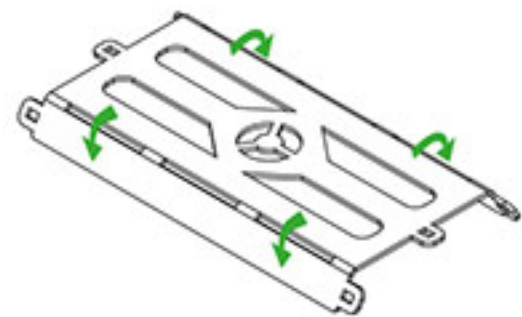
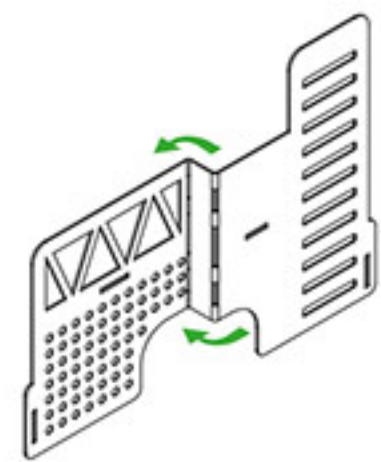
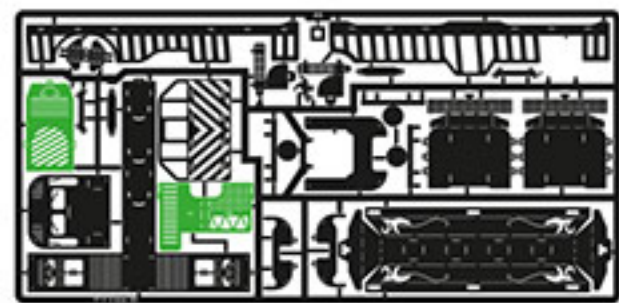
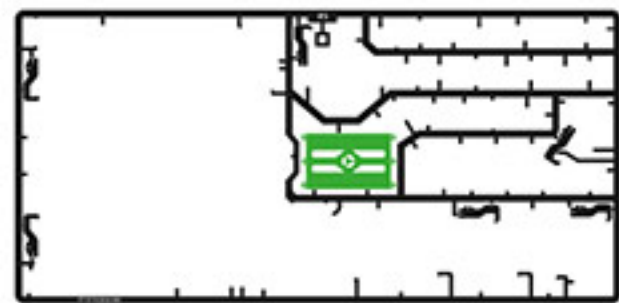


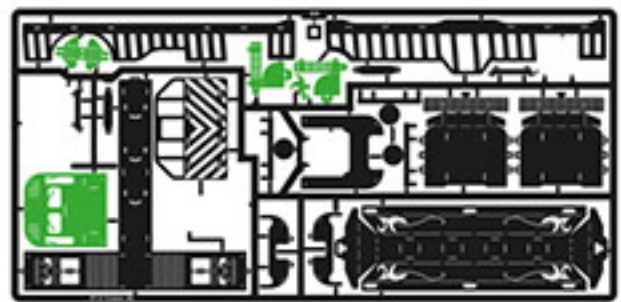
4.4



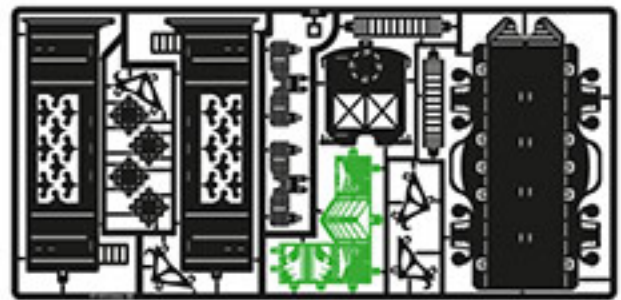






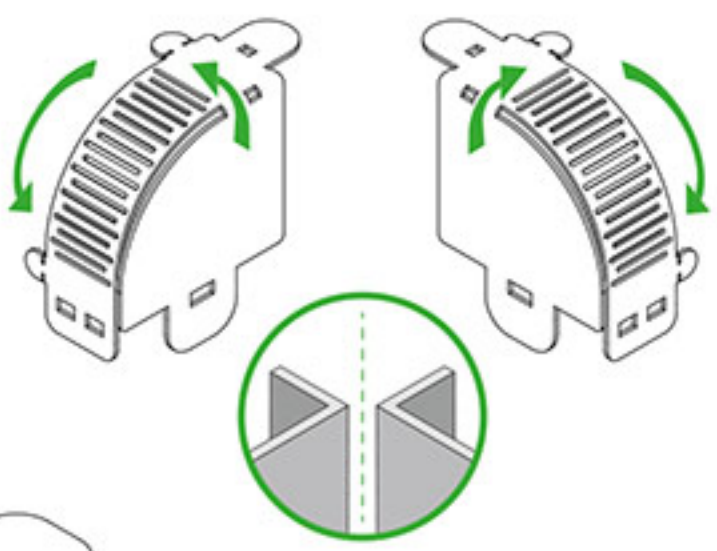


#4



#6

11.1



11.5

11.6

11.2

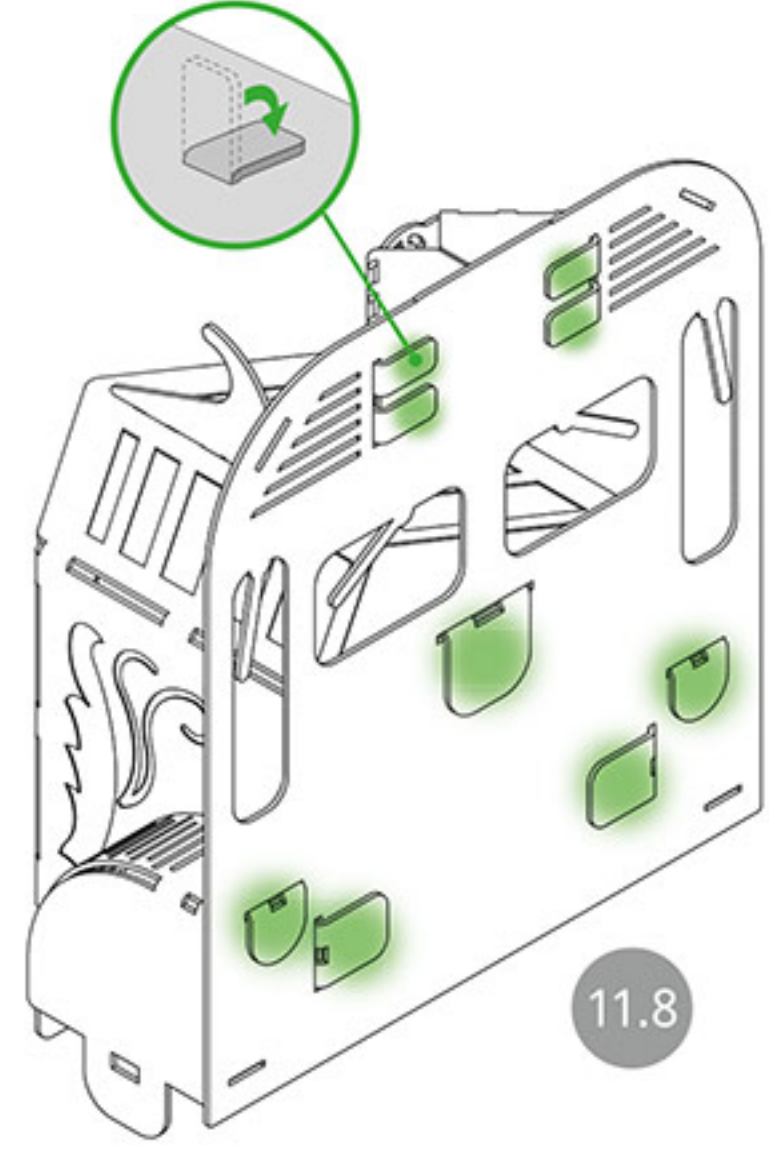
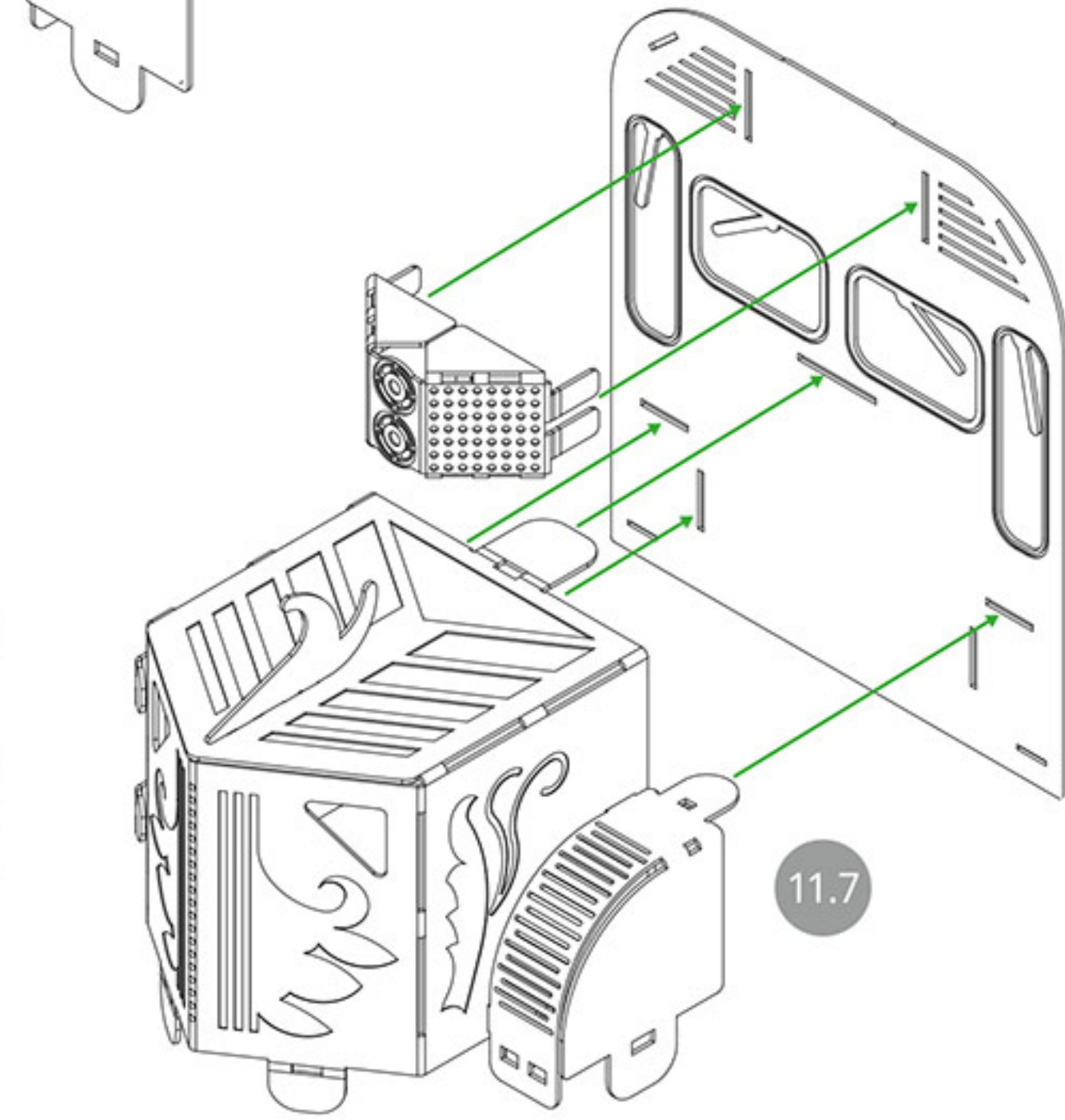
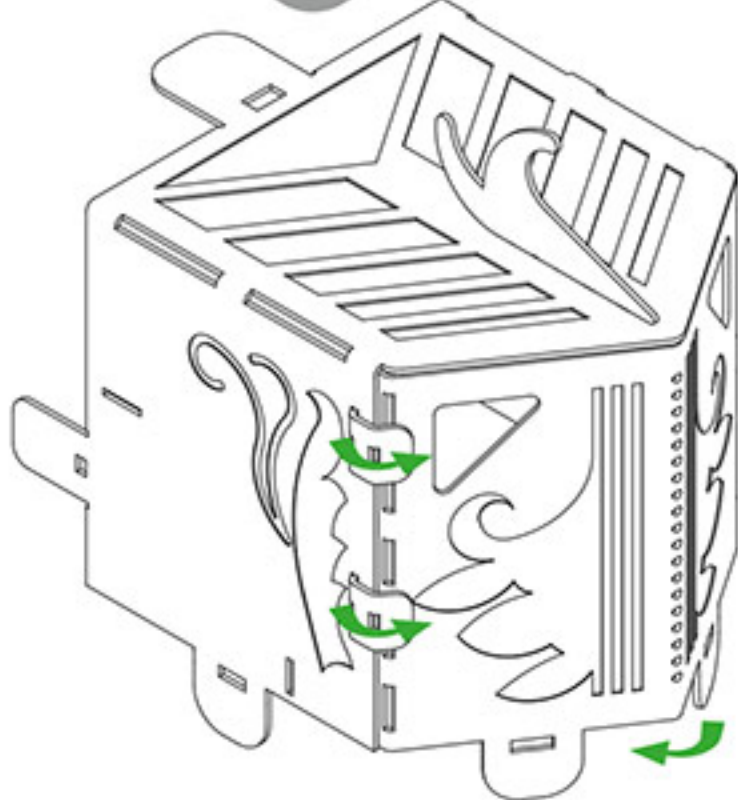
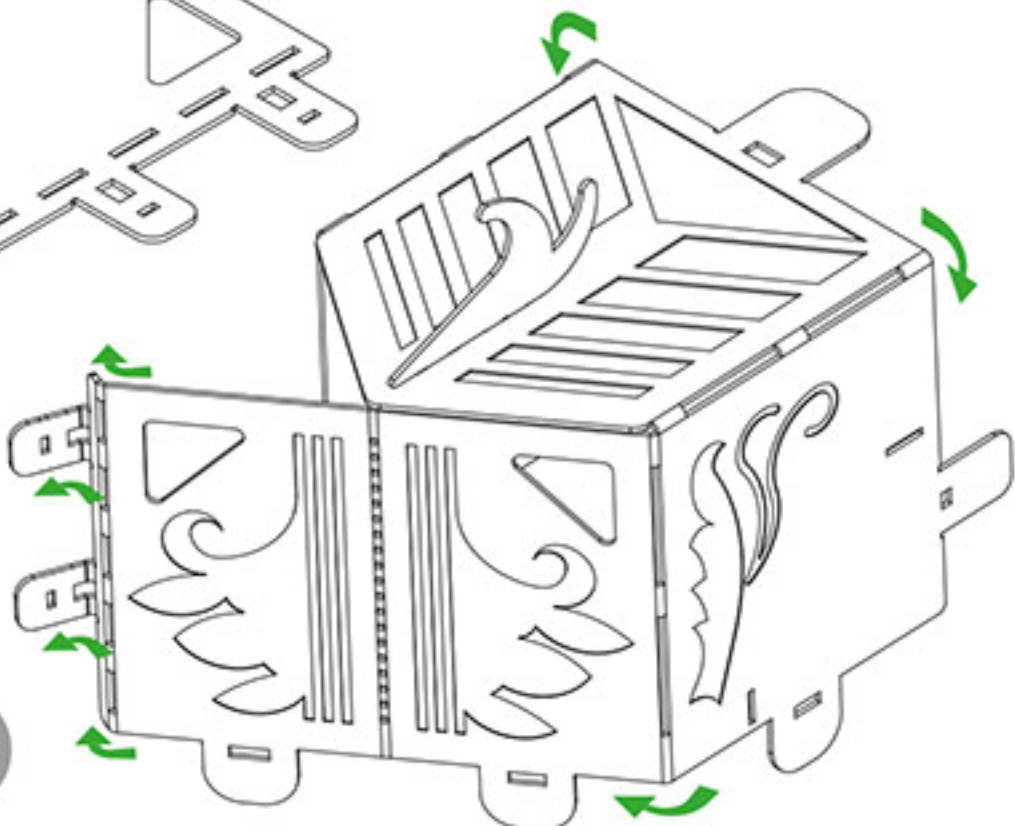
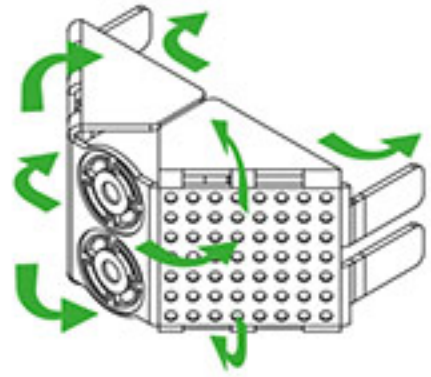


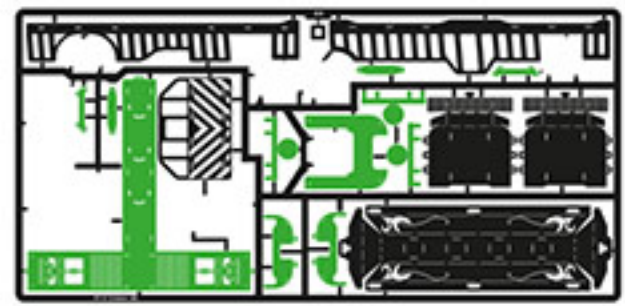
11.4

11.7

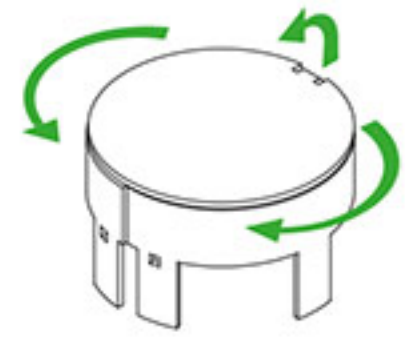
11.8

11.3



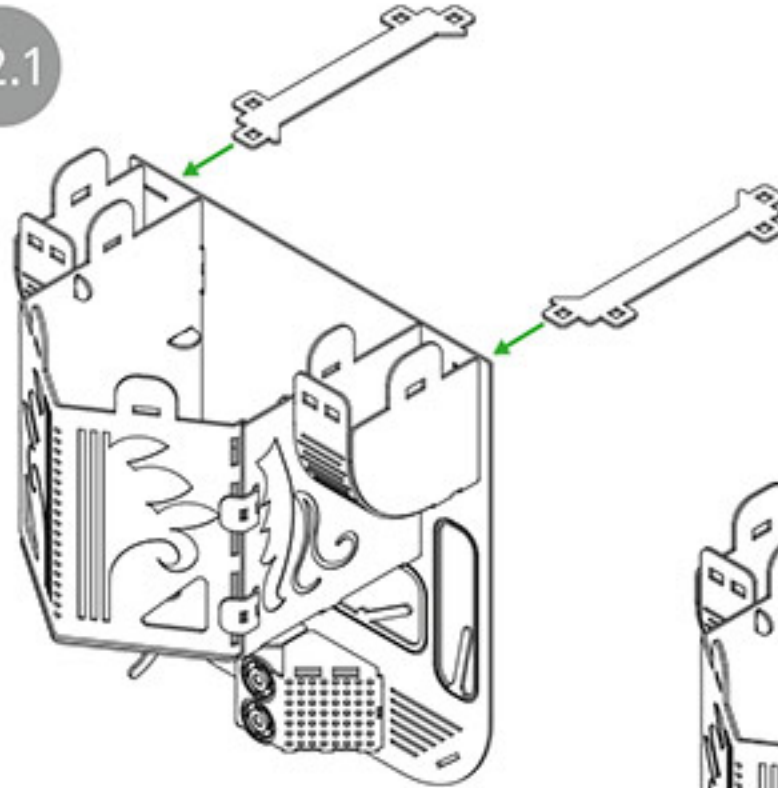


#4

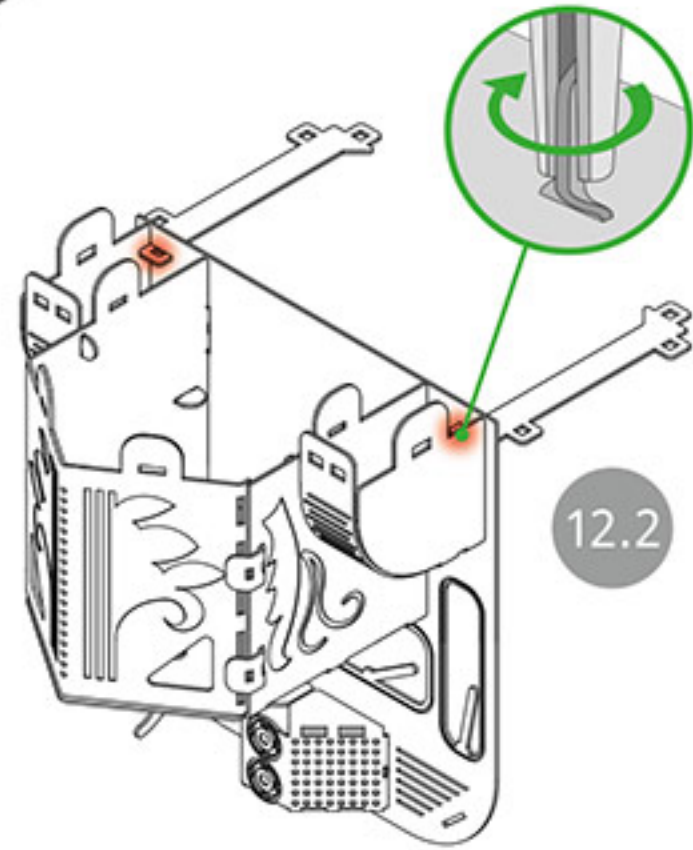


x3

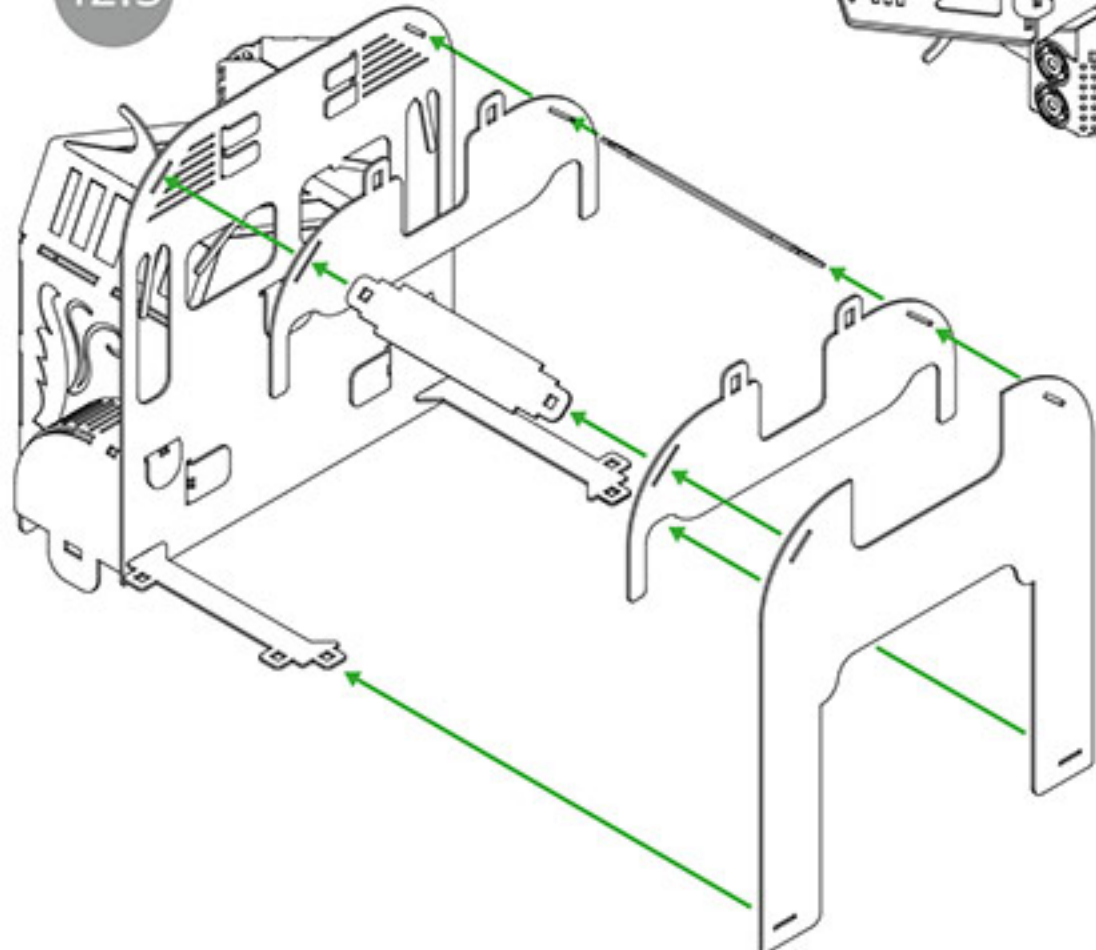
12.1



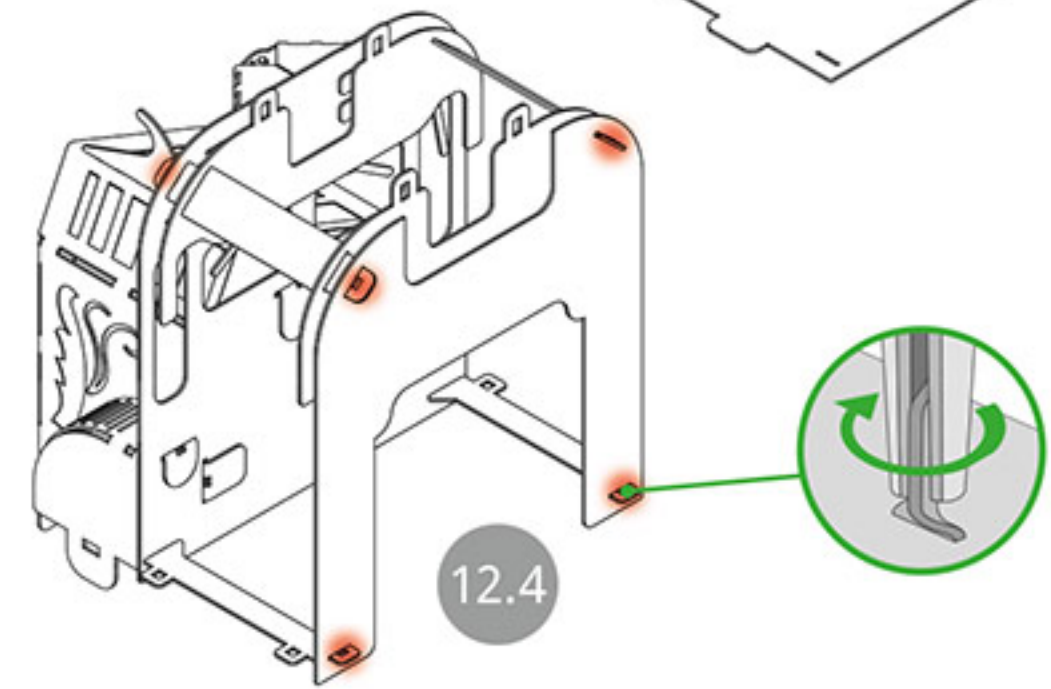
12.2



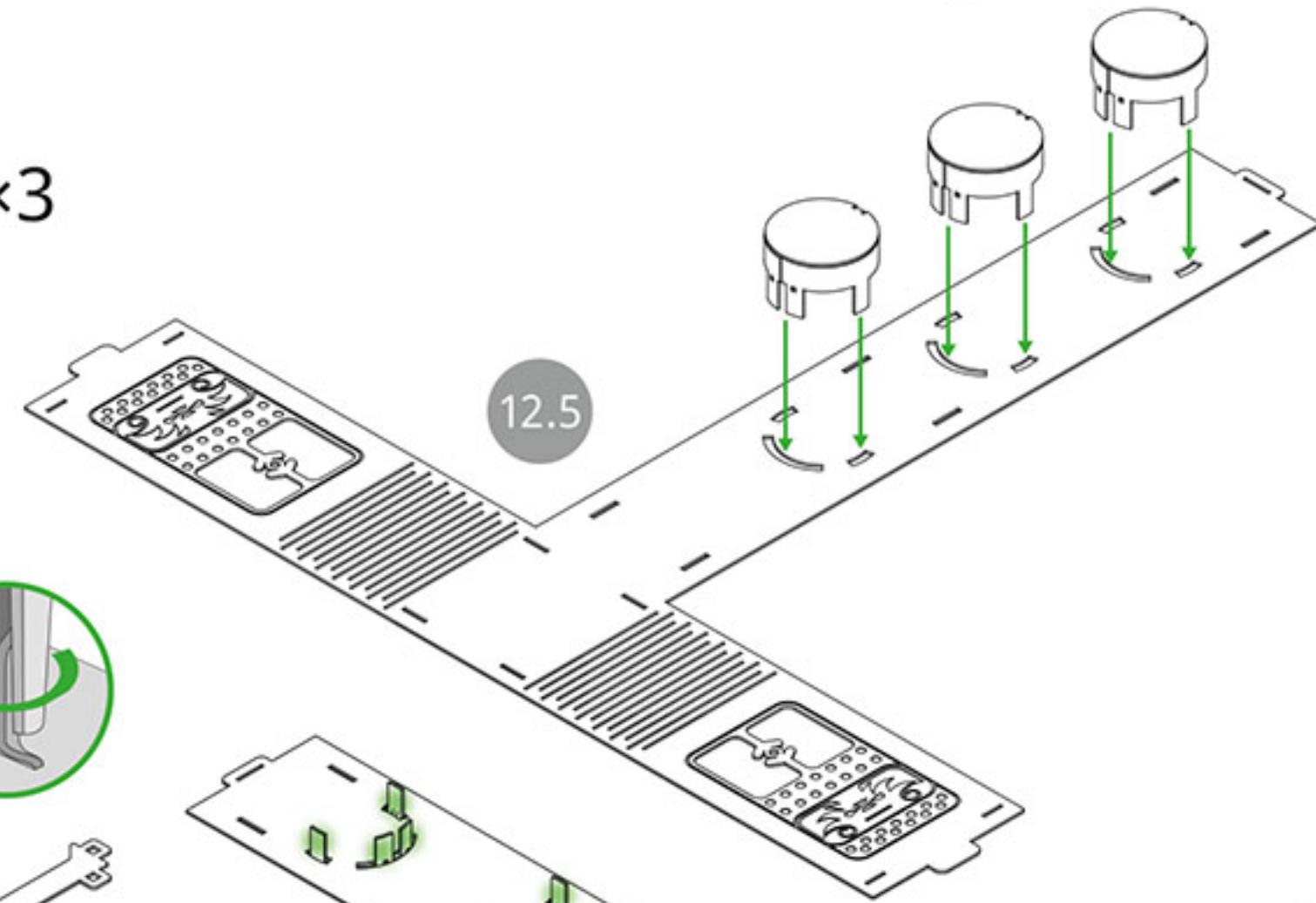
12.3



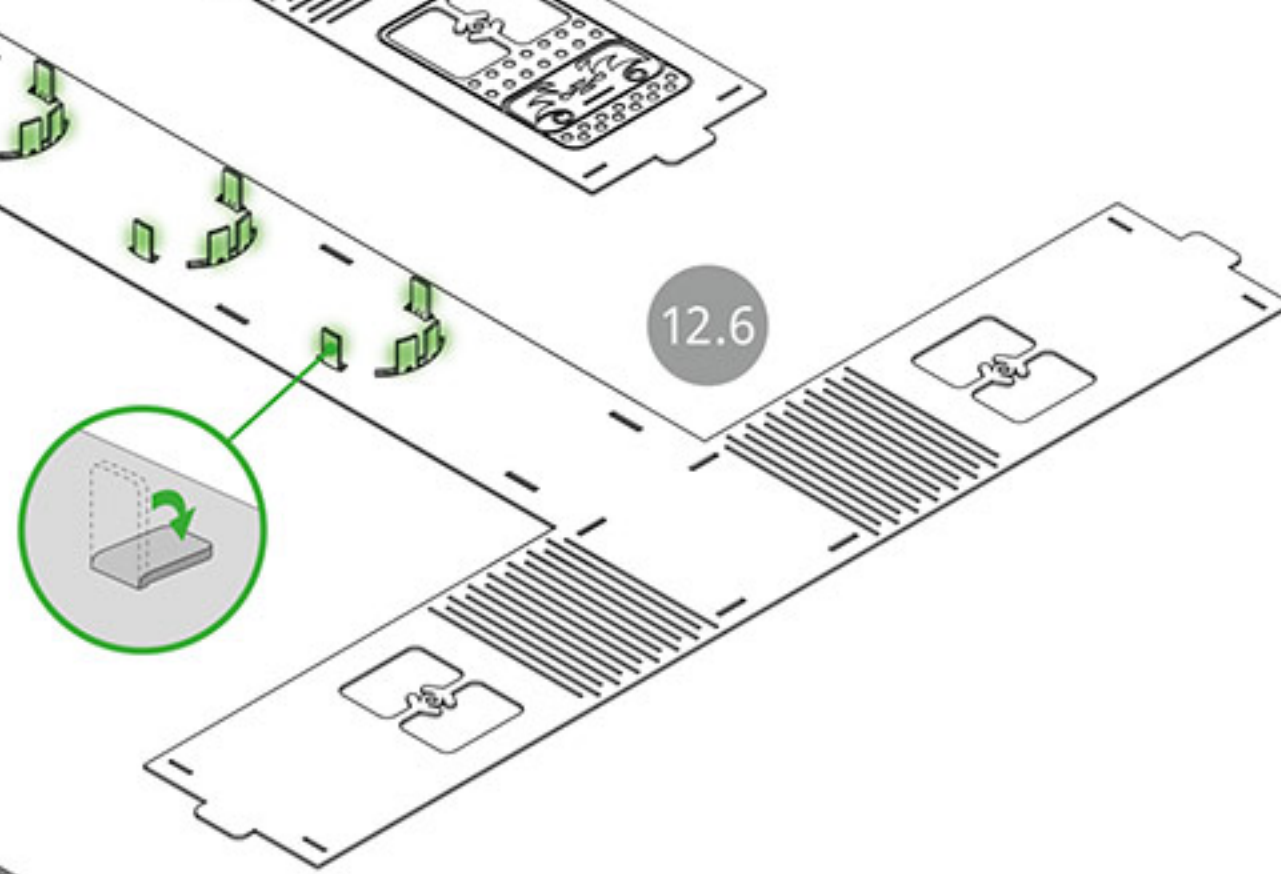
12.4



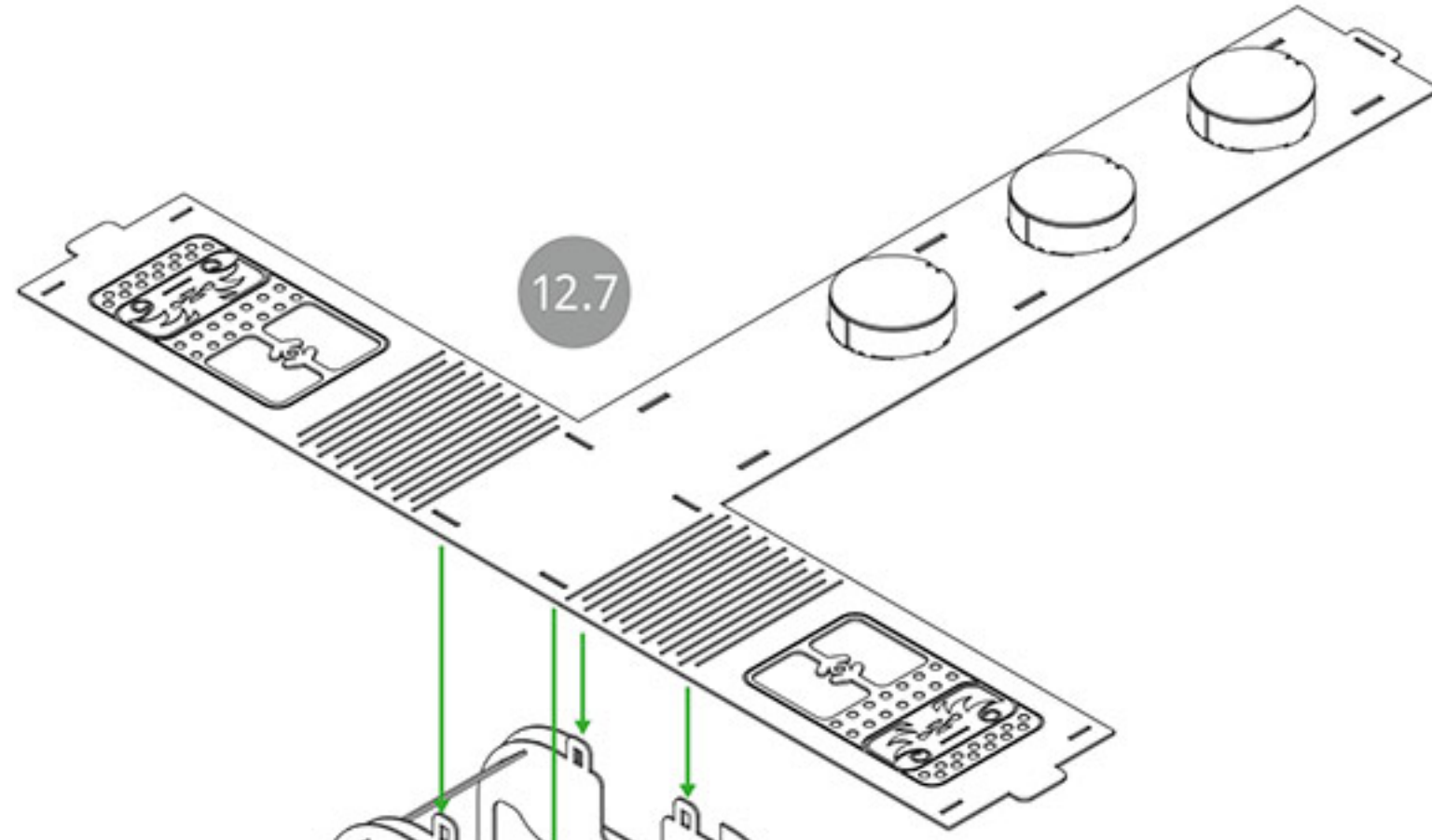
12.5



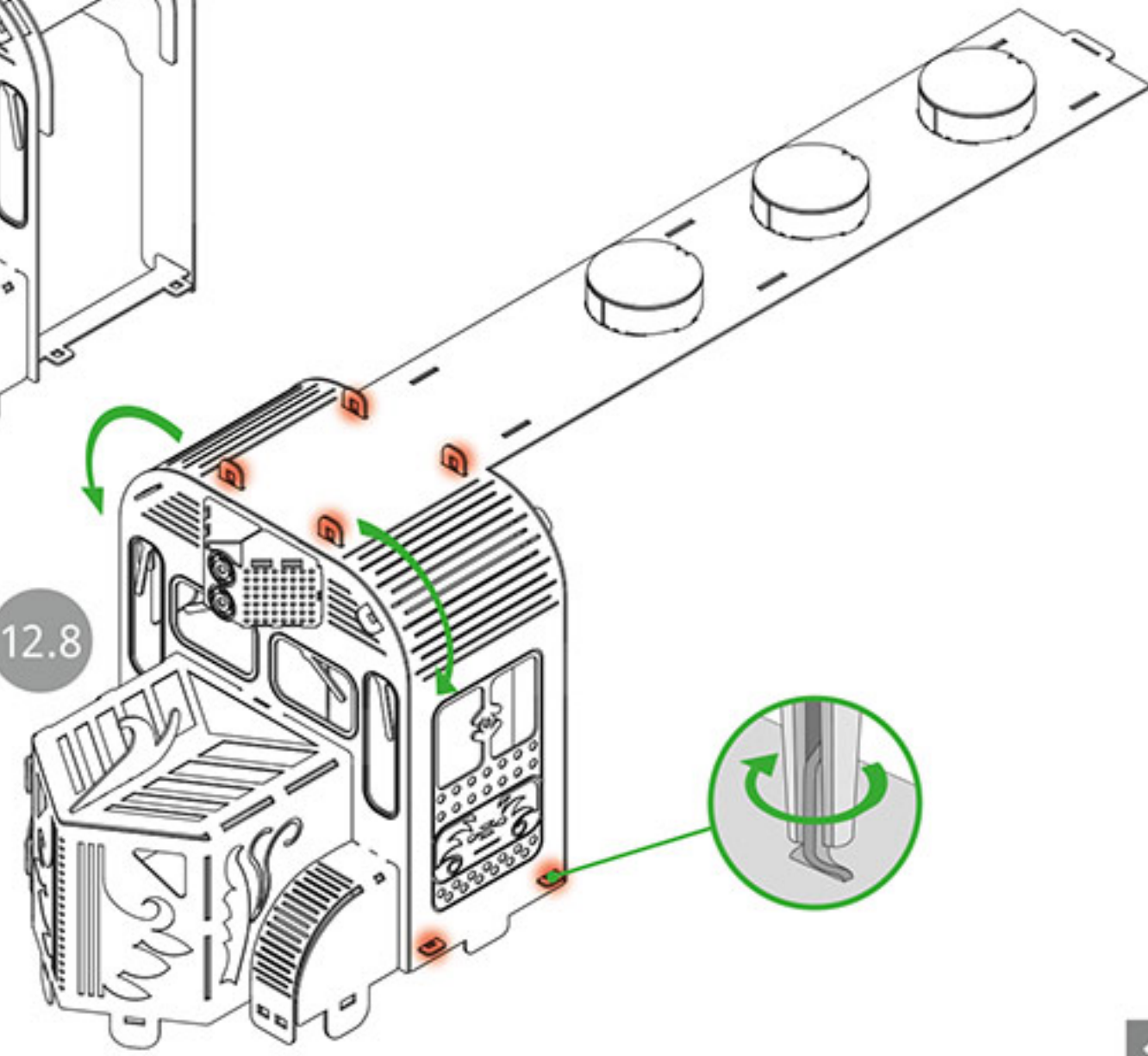
12.6

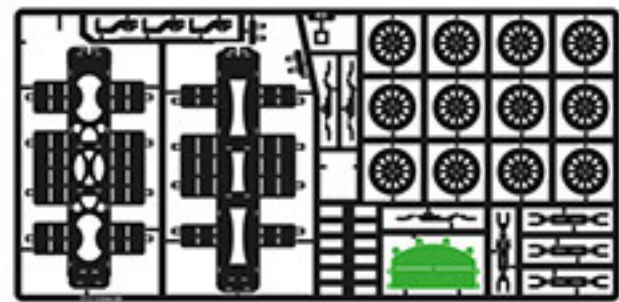


12.7

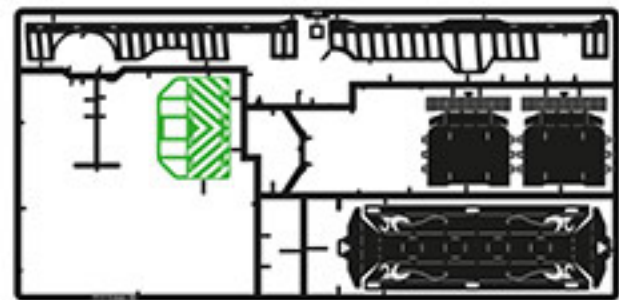


12.8

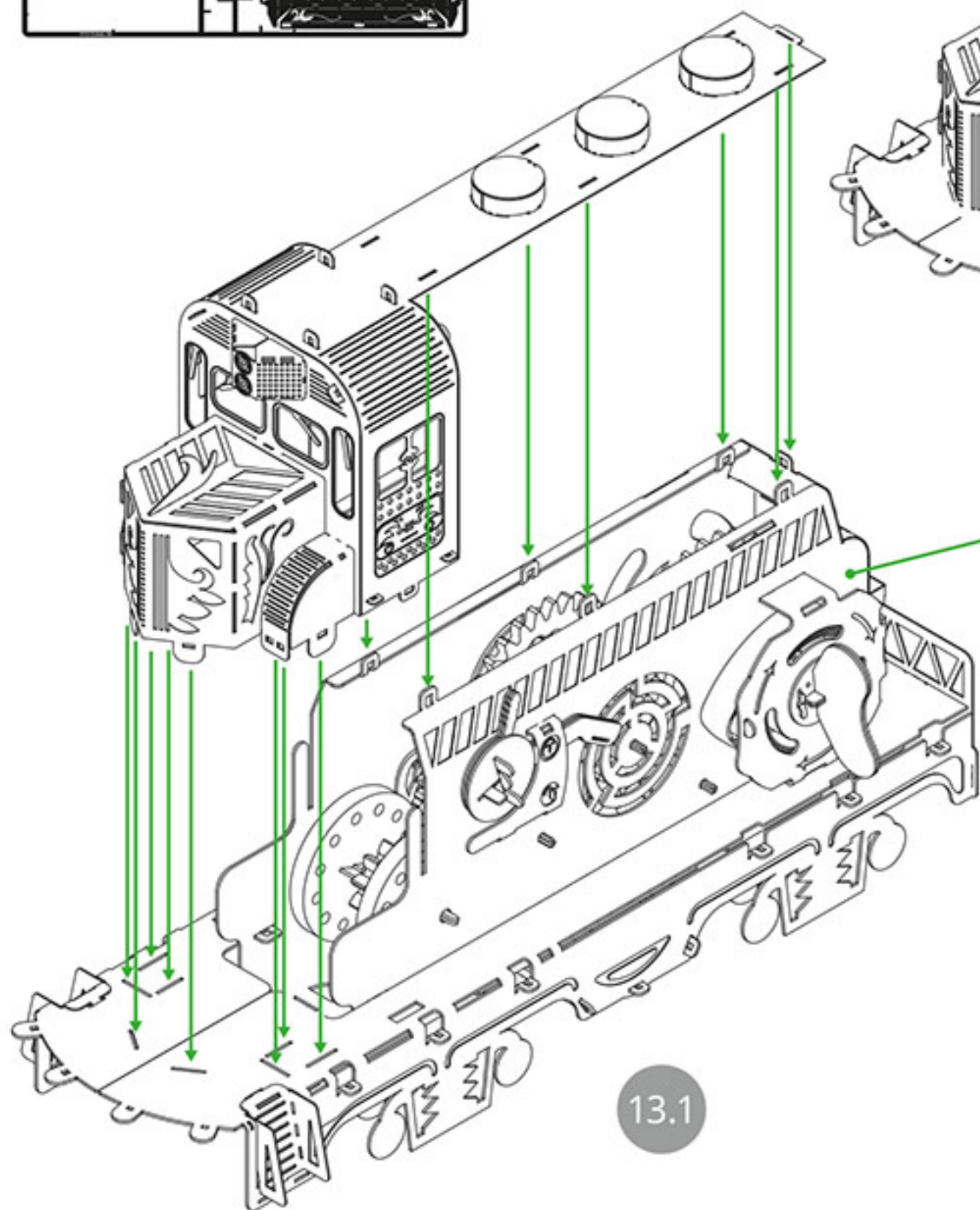




#3

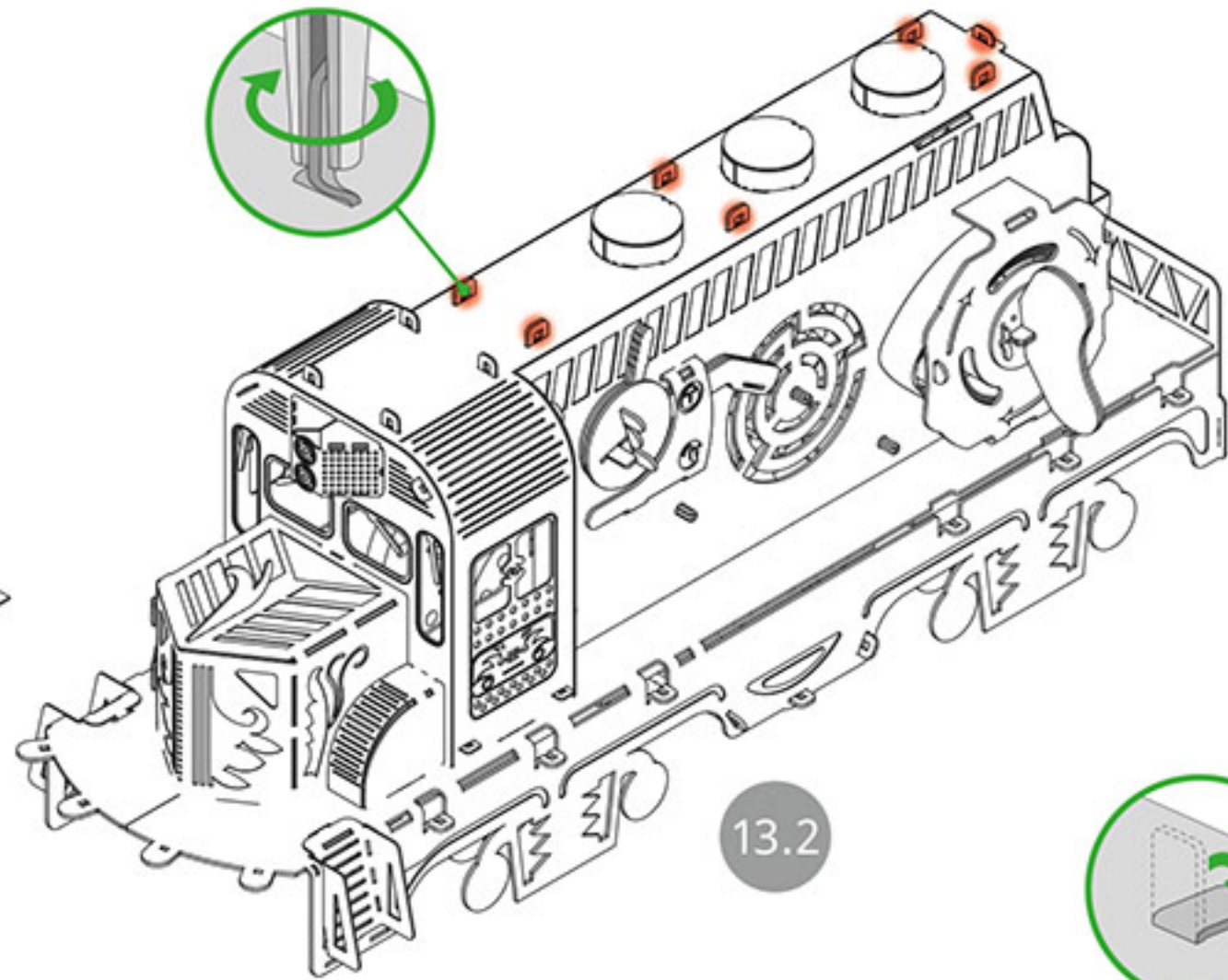


#4

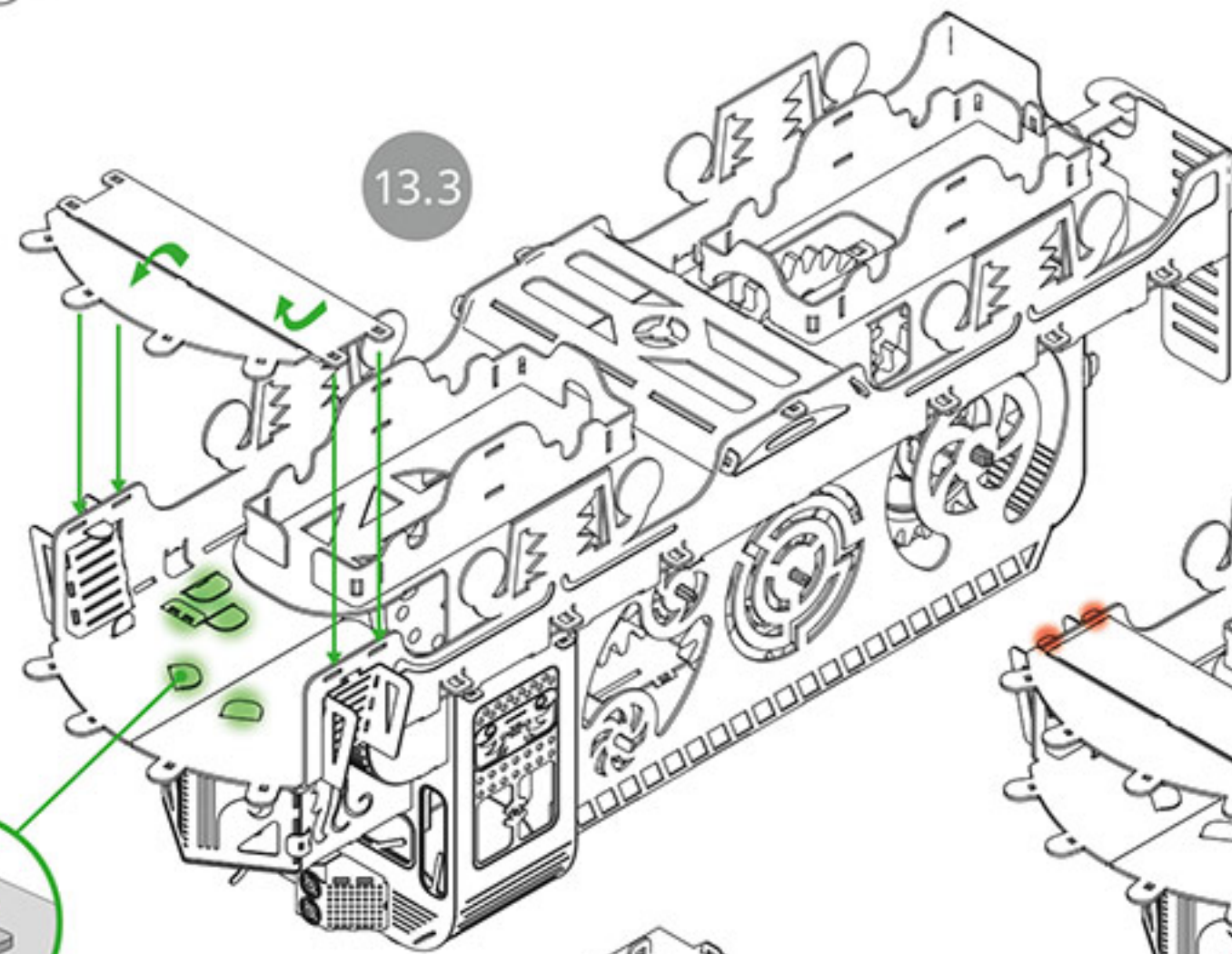


13.1

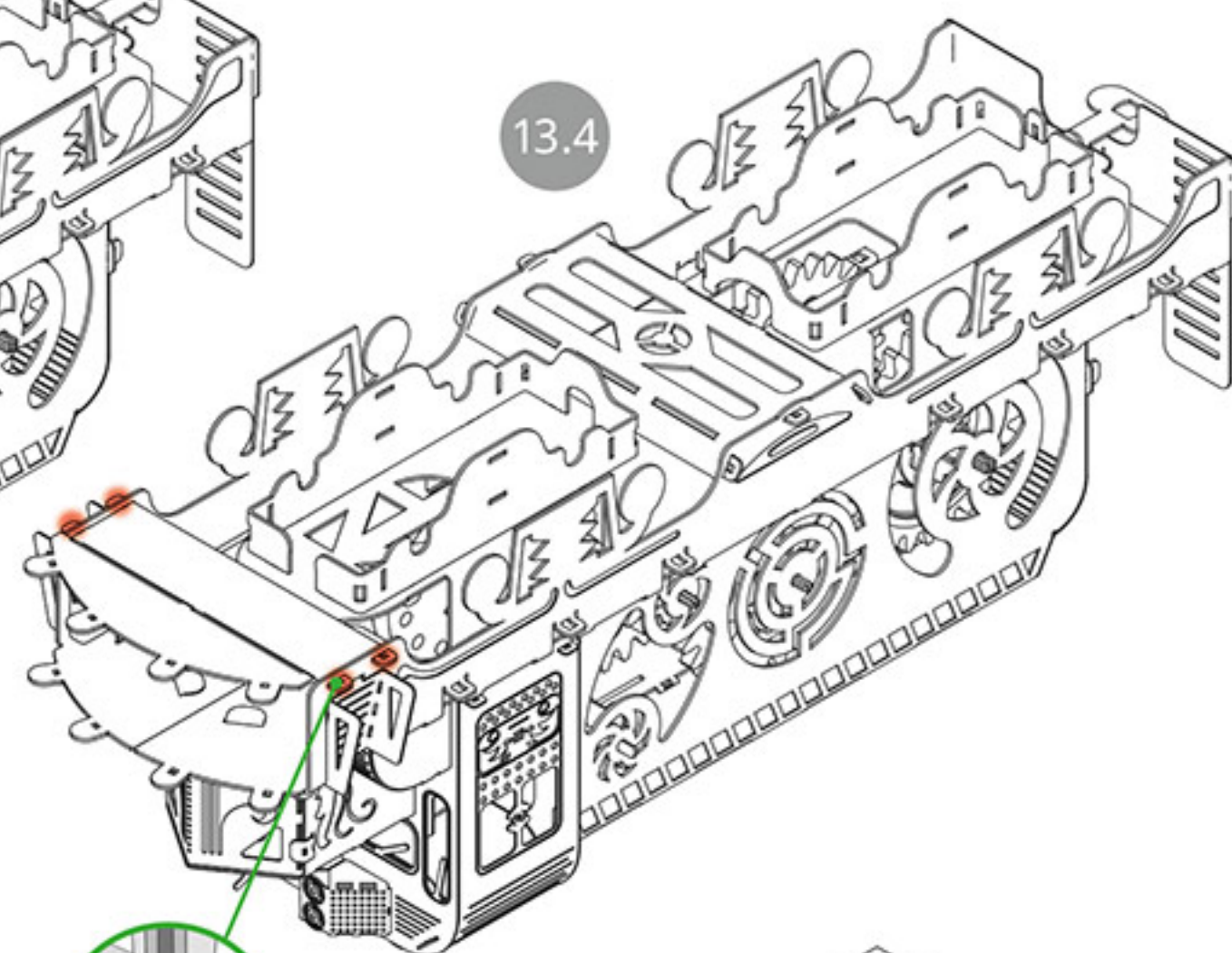
Assembly step 10



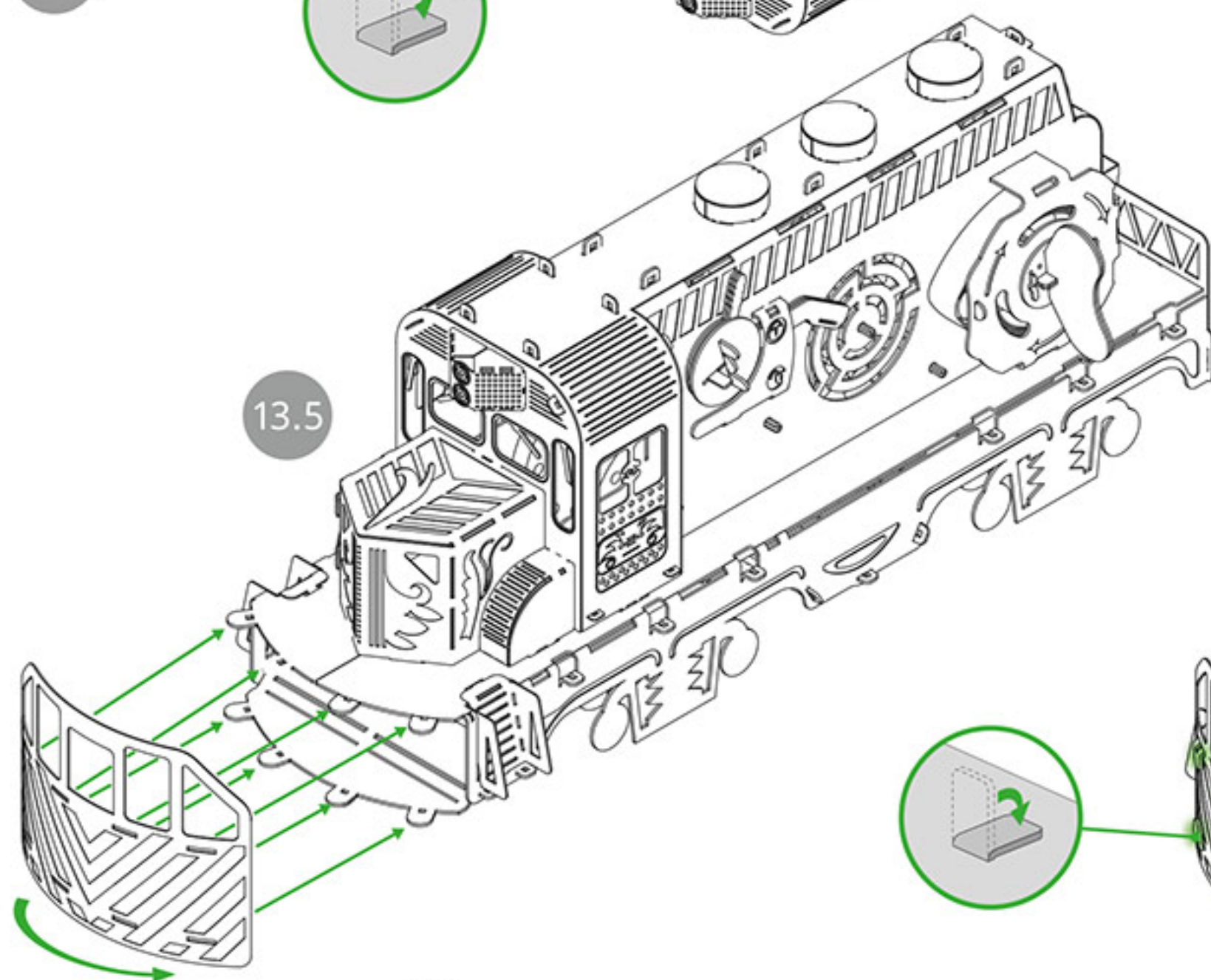
13.2



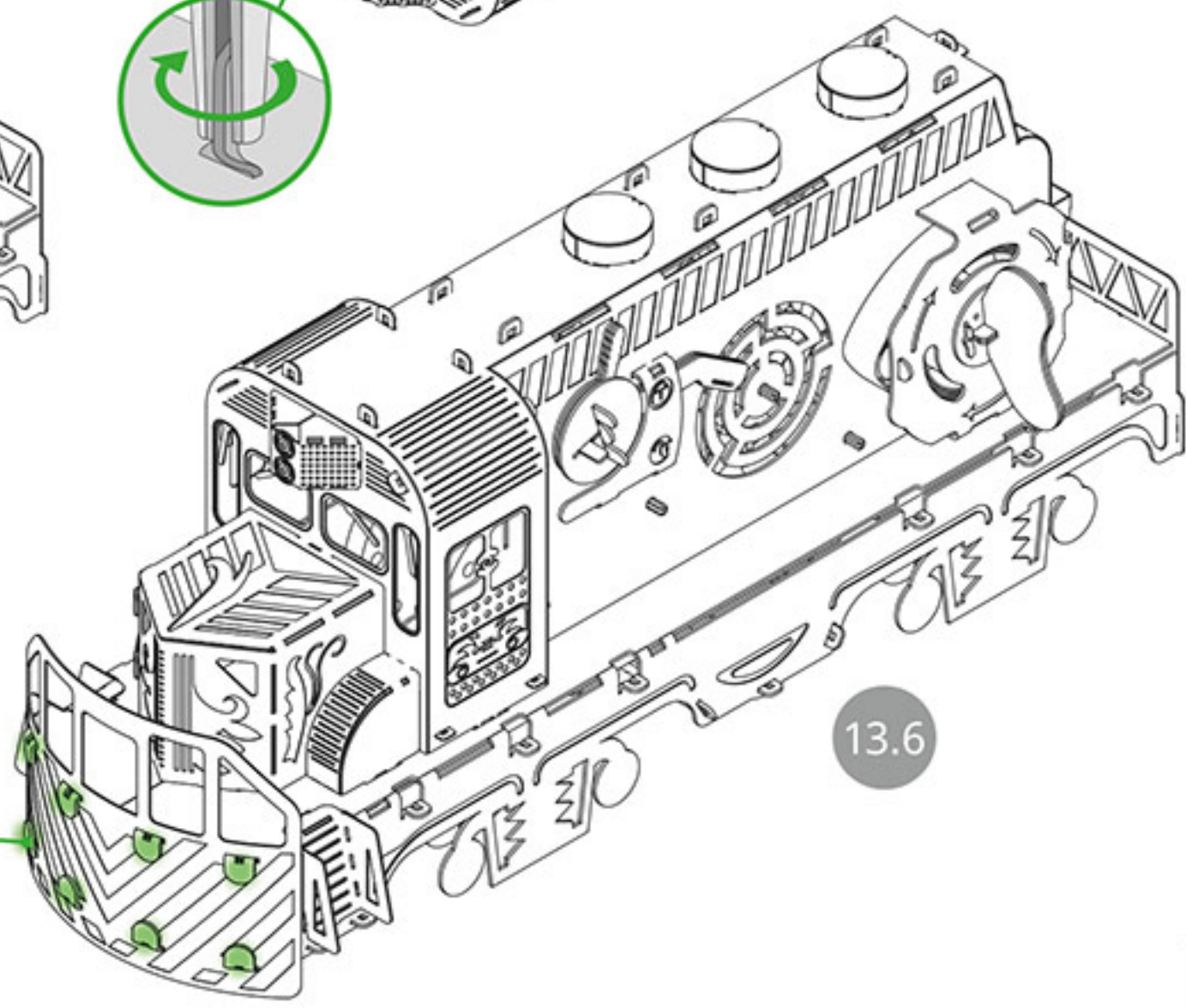
13.3



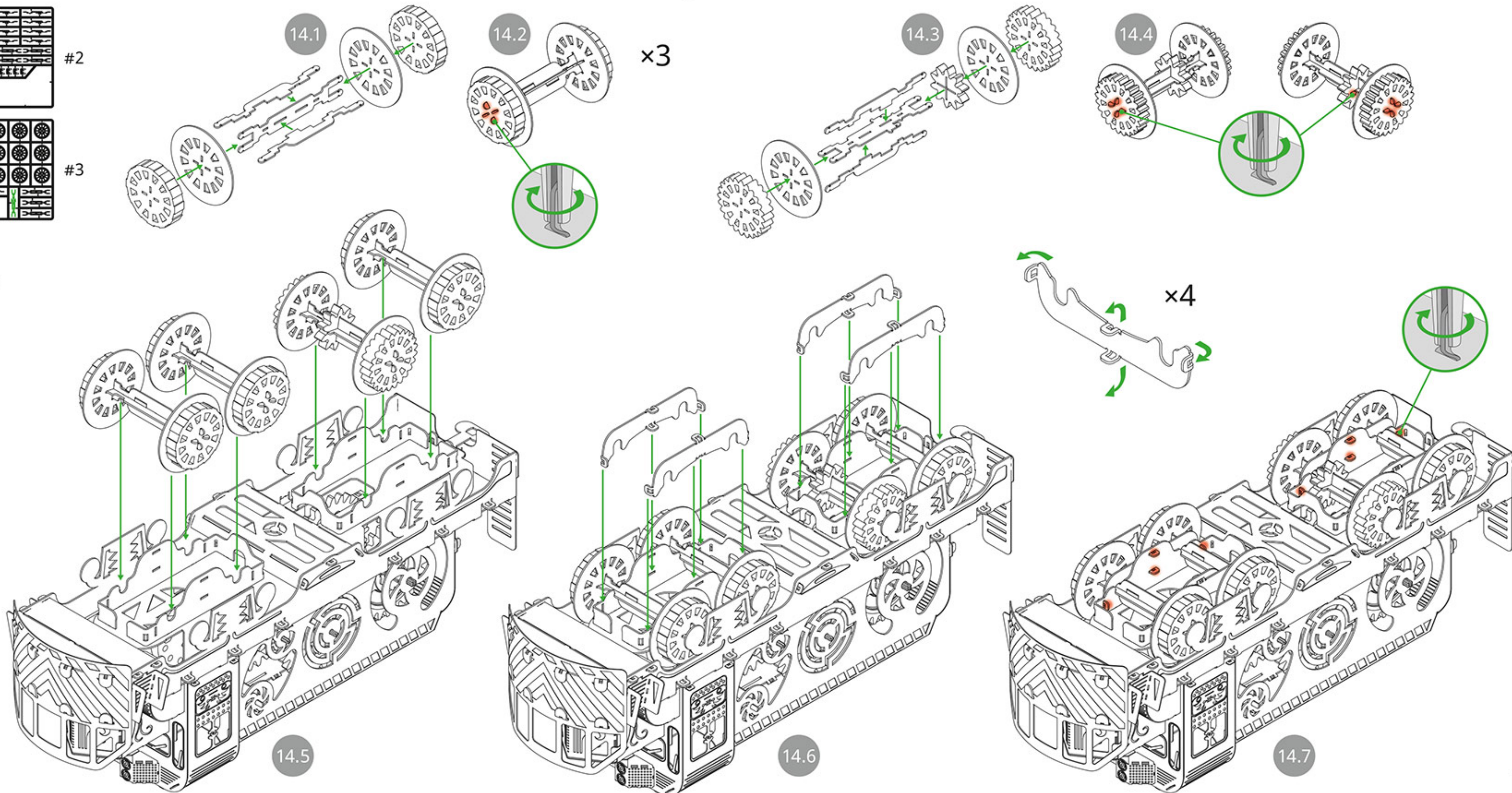
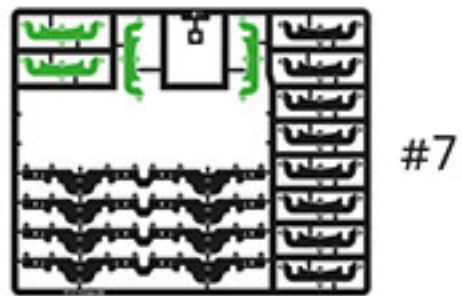
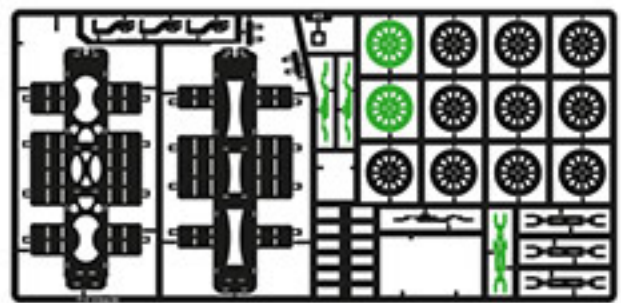
13.4

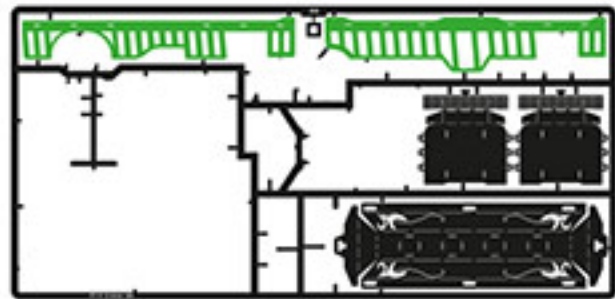


13.5



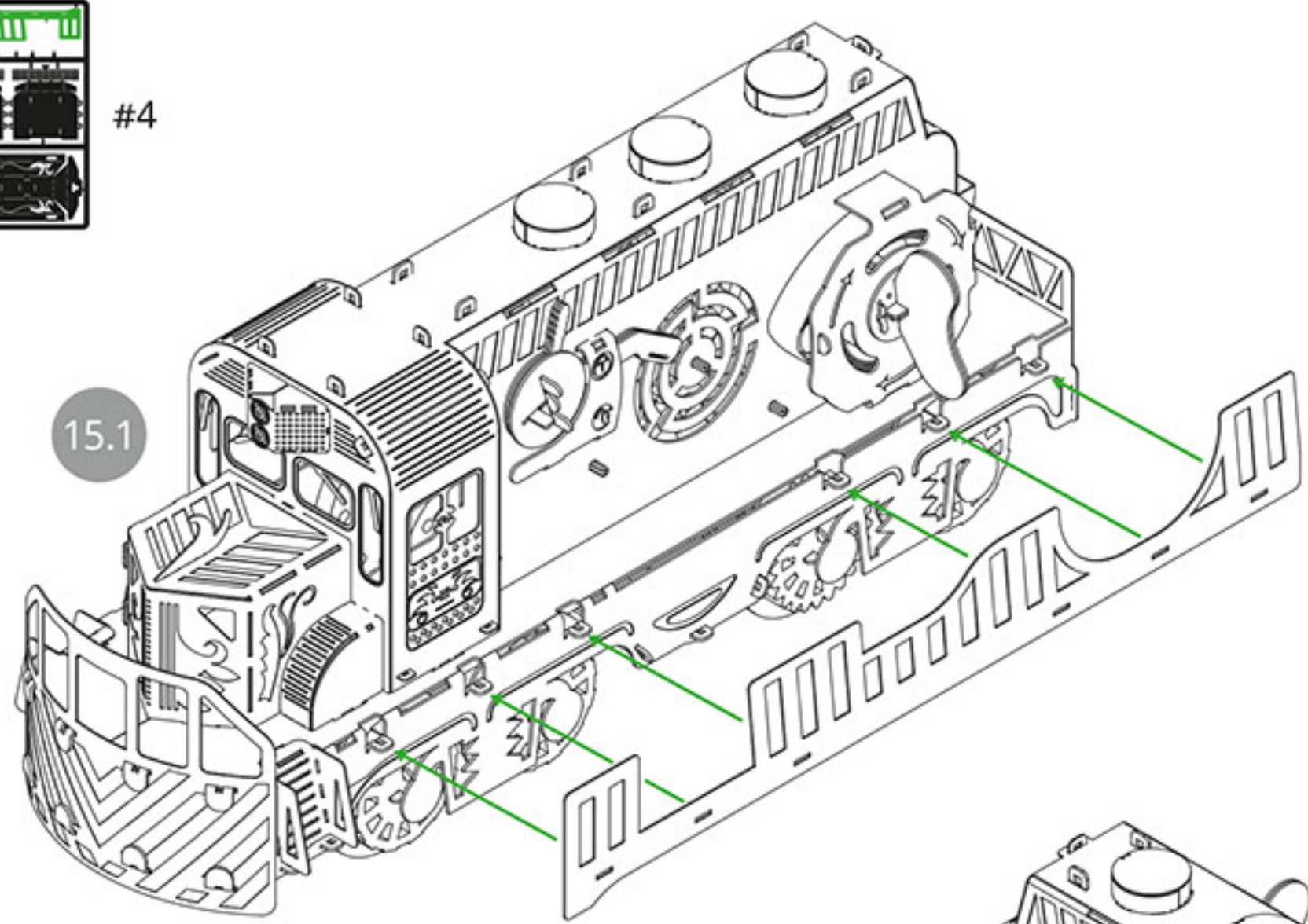
13.6



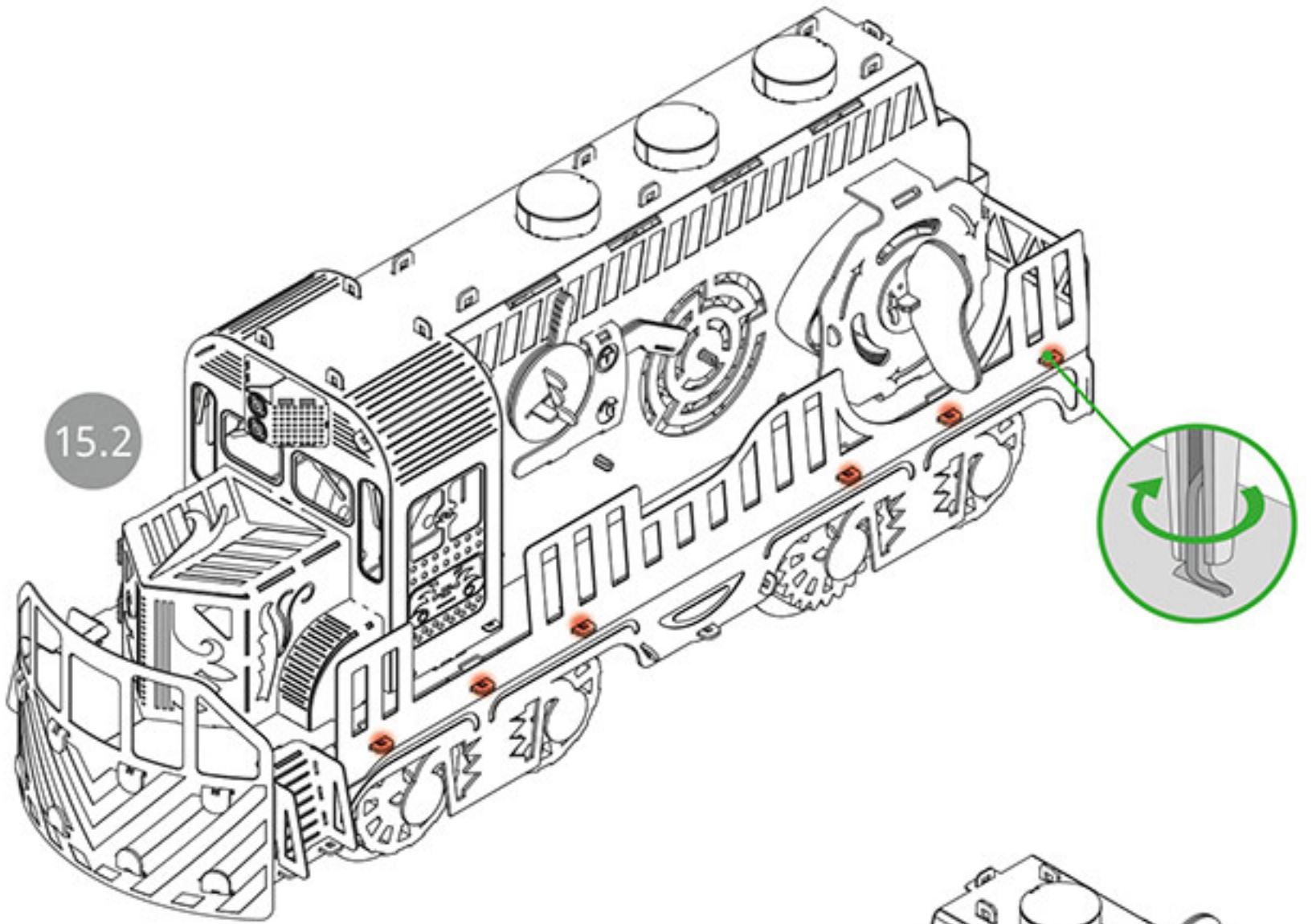


#4

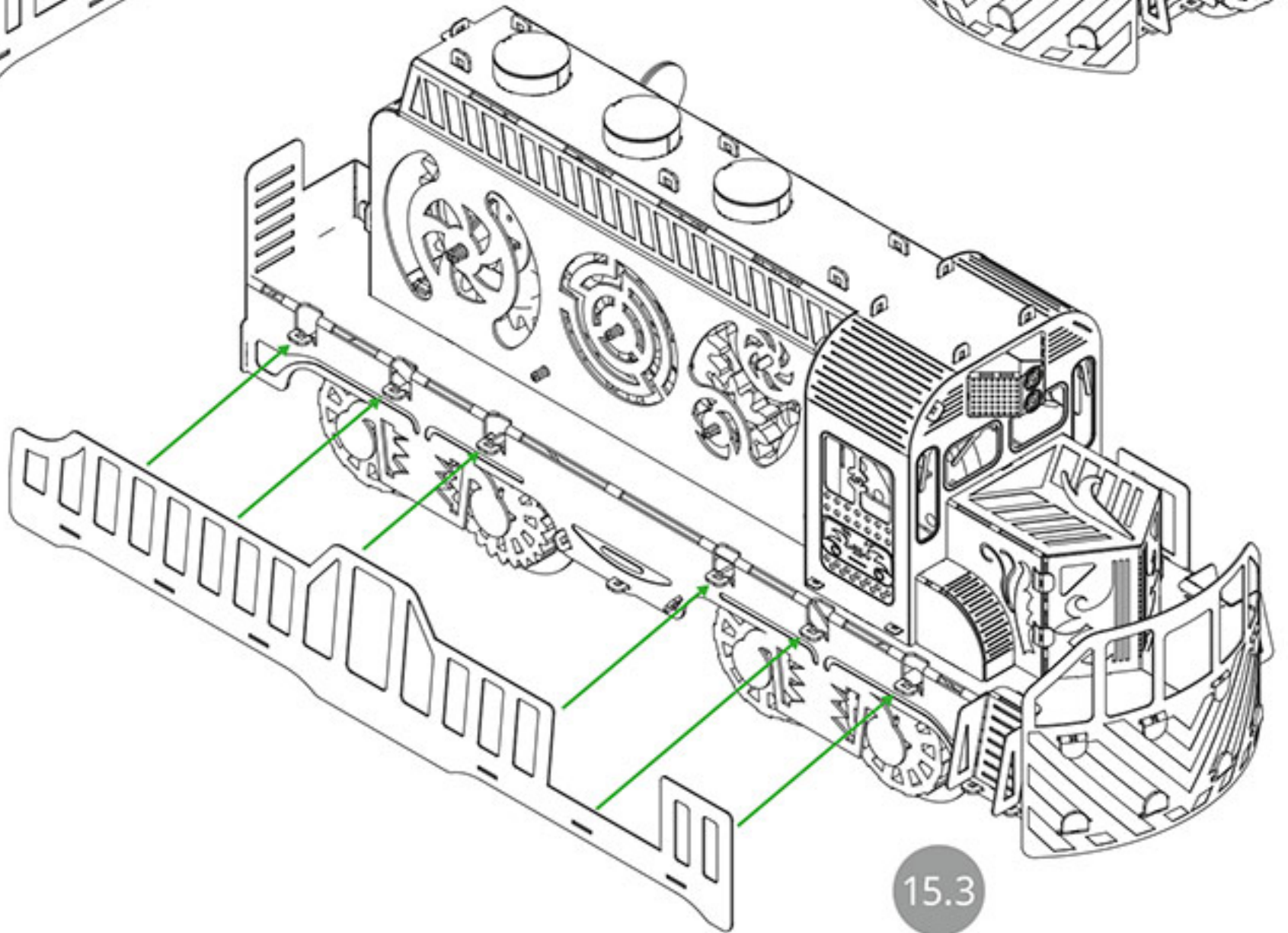
15.1



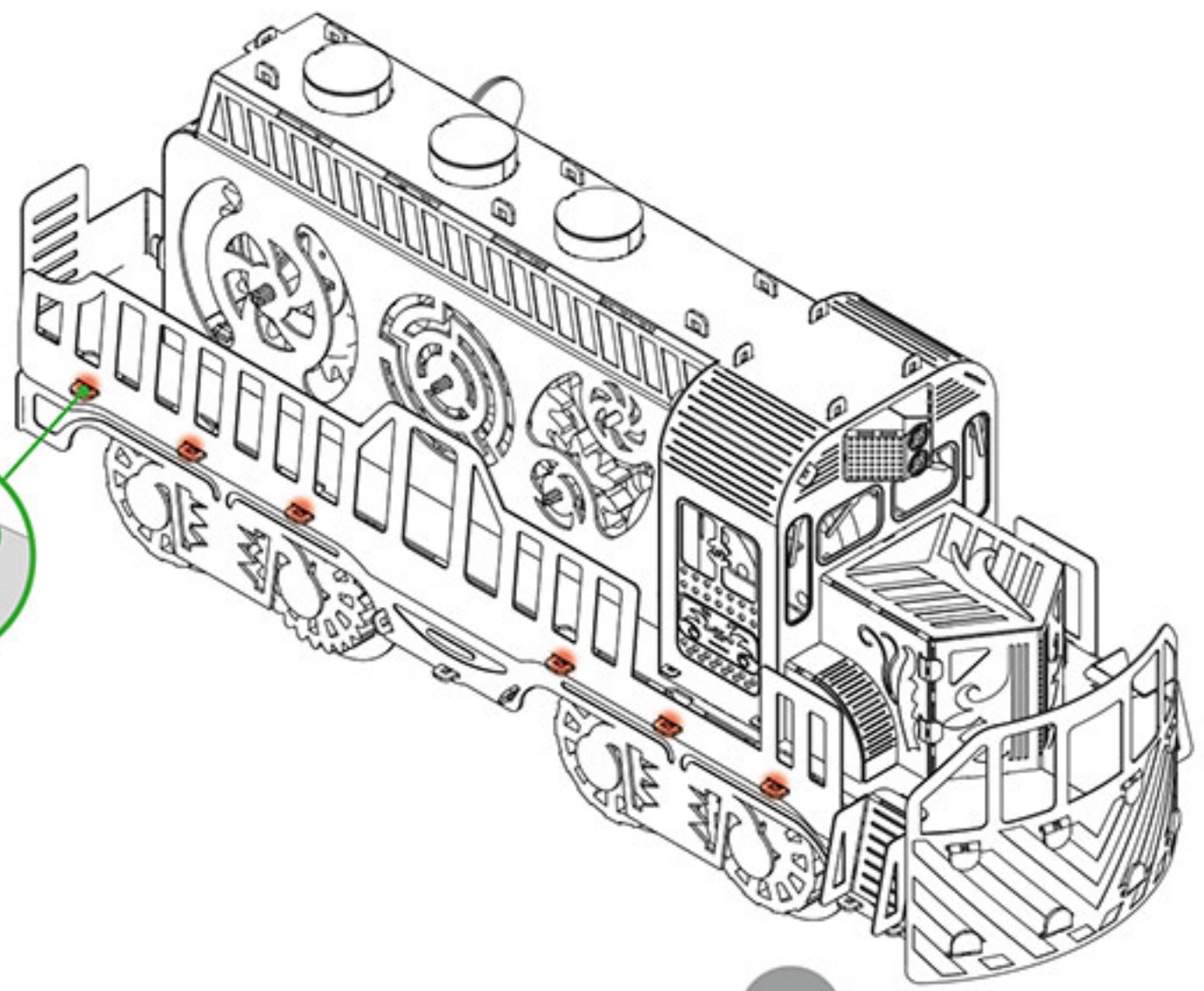
15.2



15.3

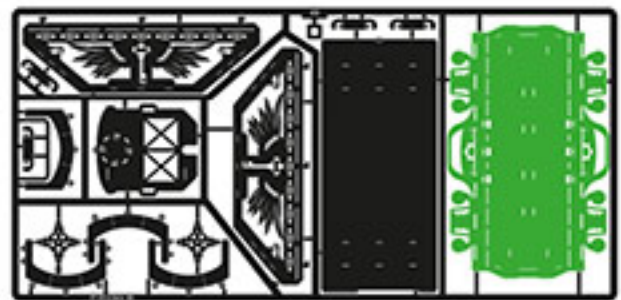


15.4

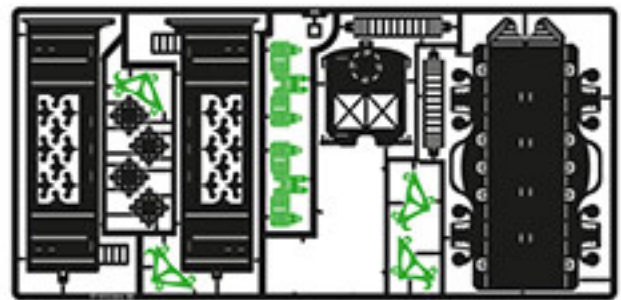




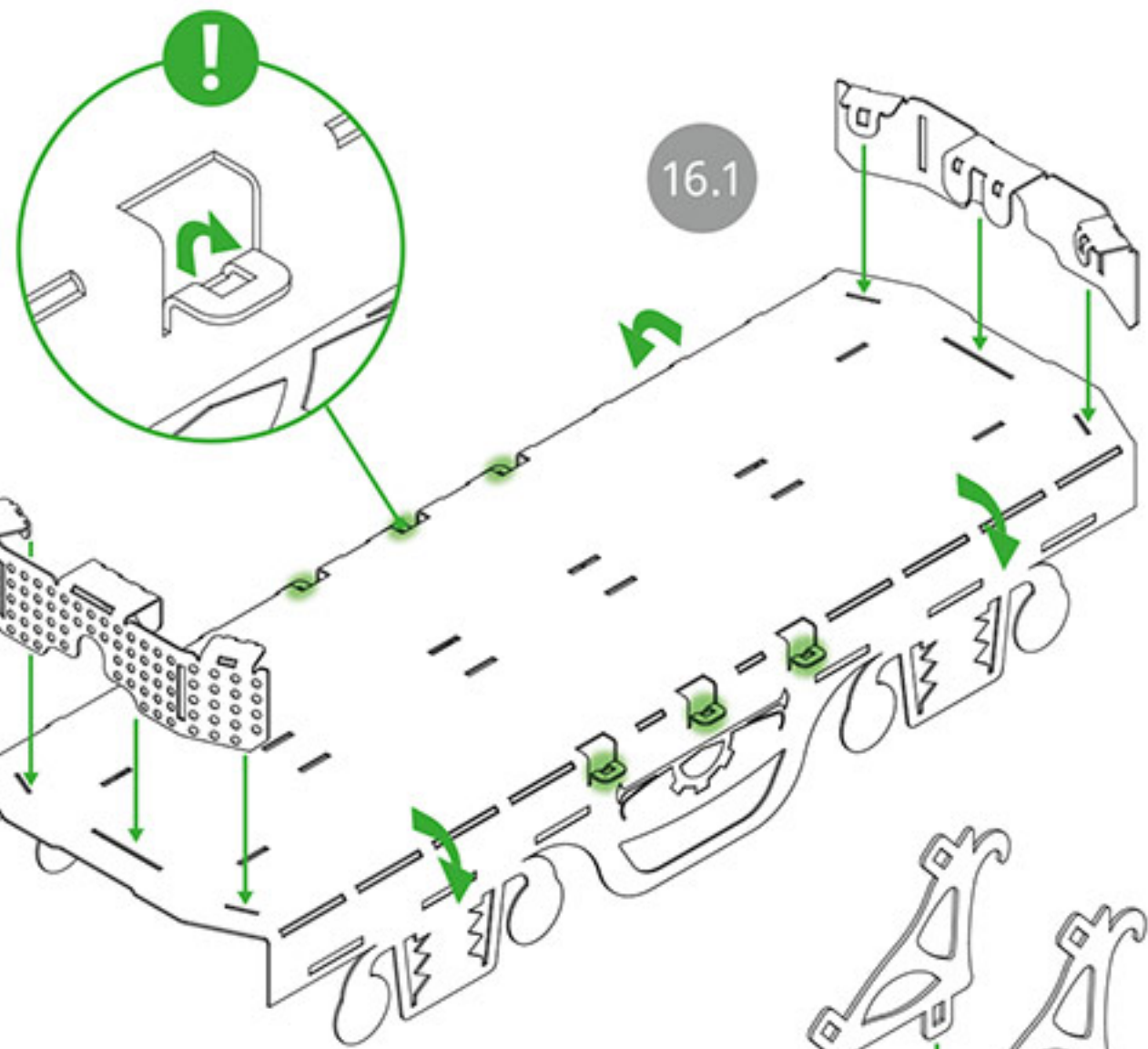
#4



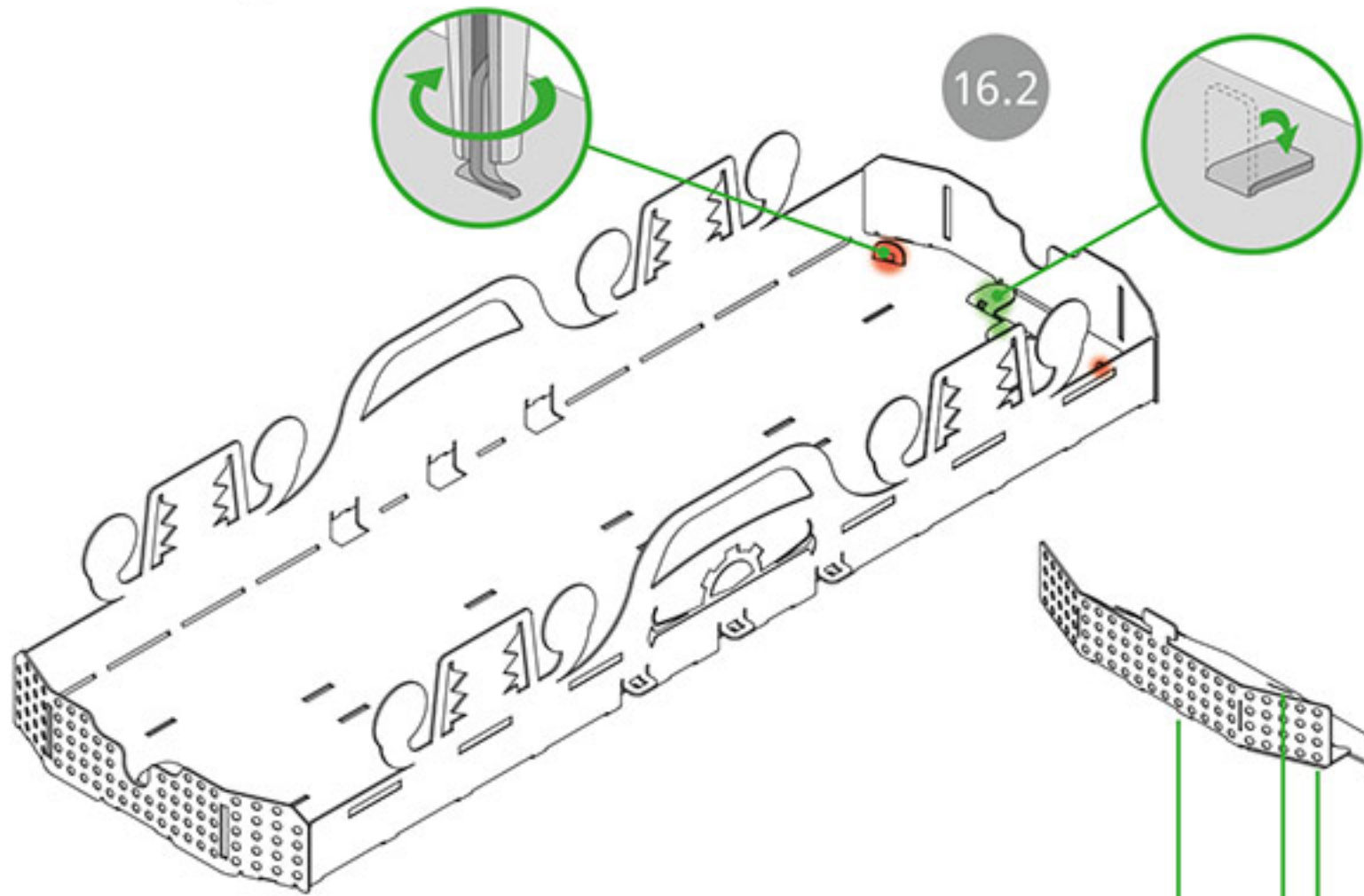
#5



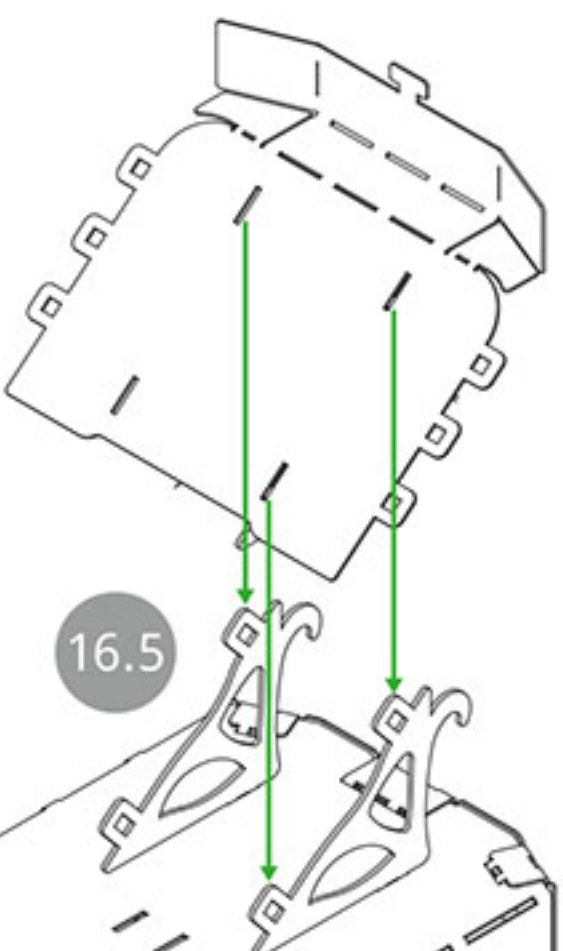
#6



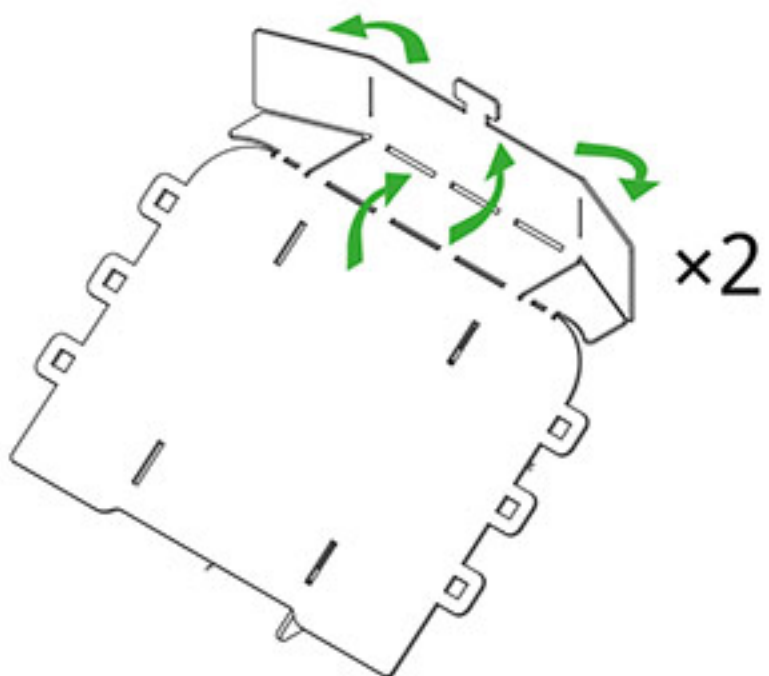
16.1



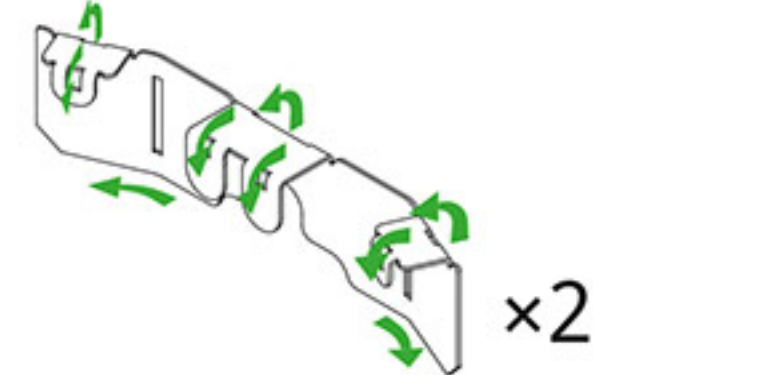
16.2



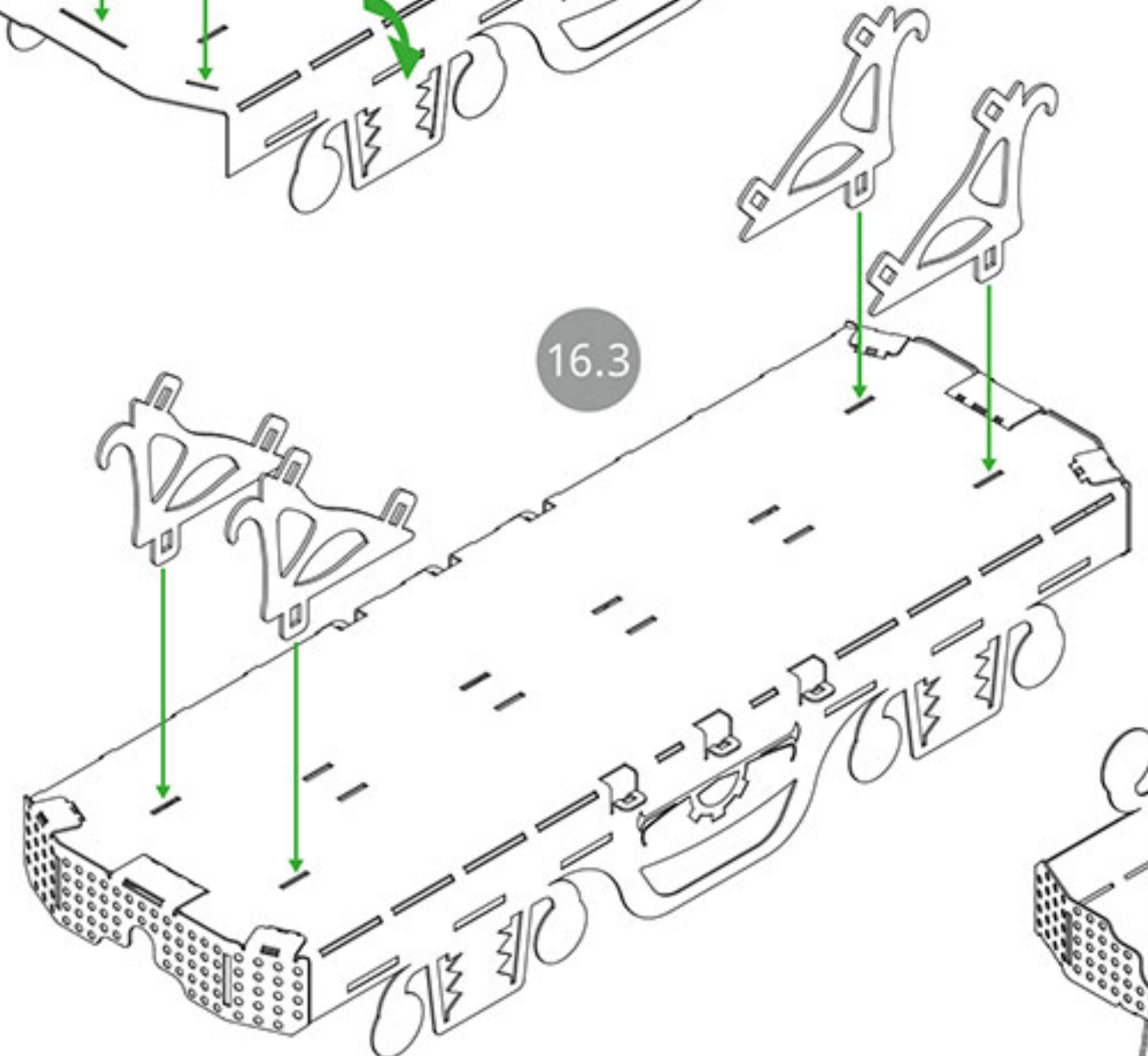
16.5



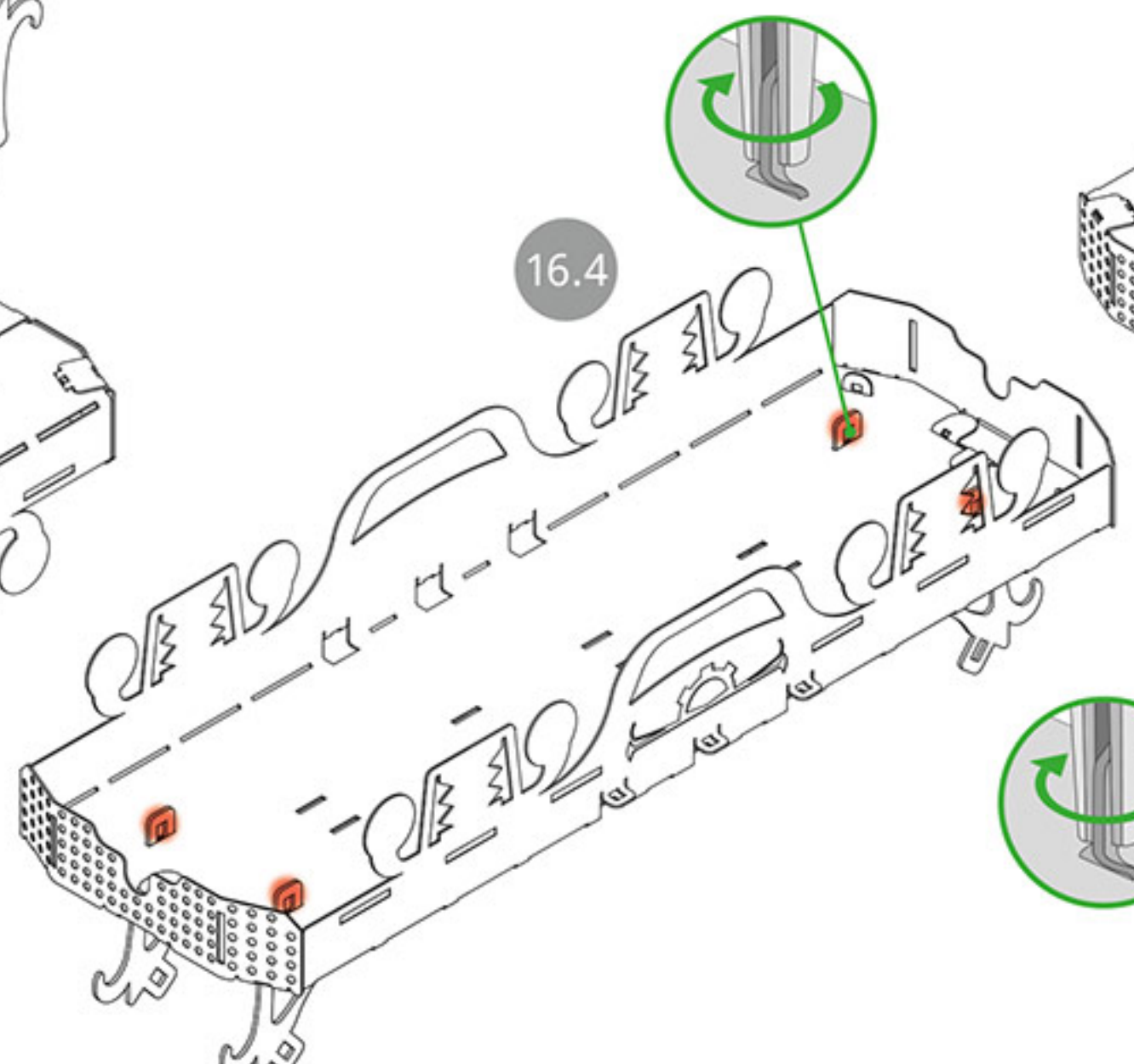
x2



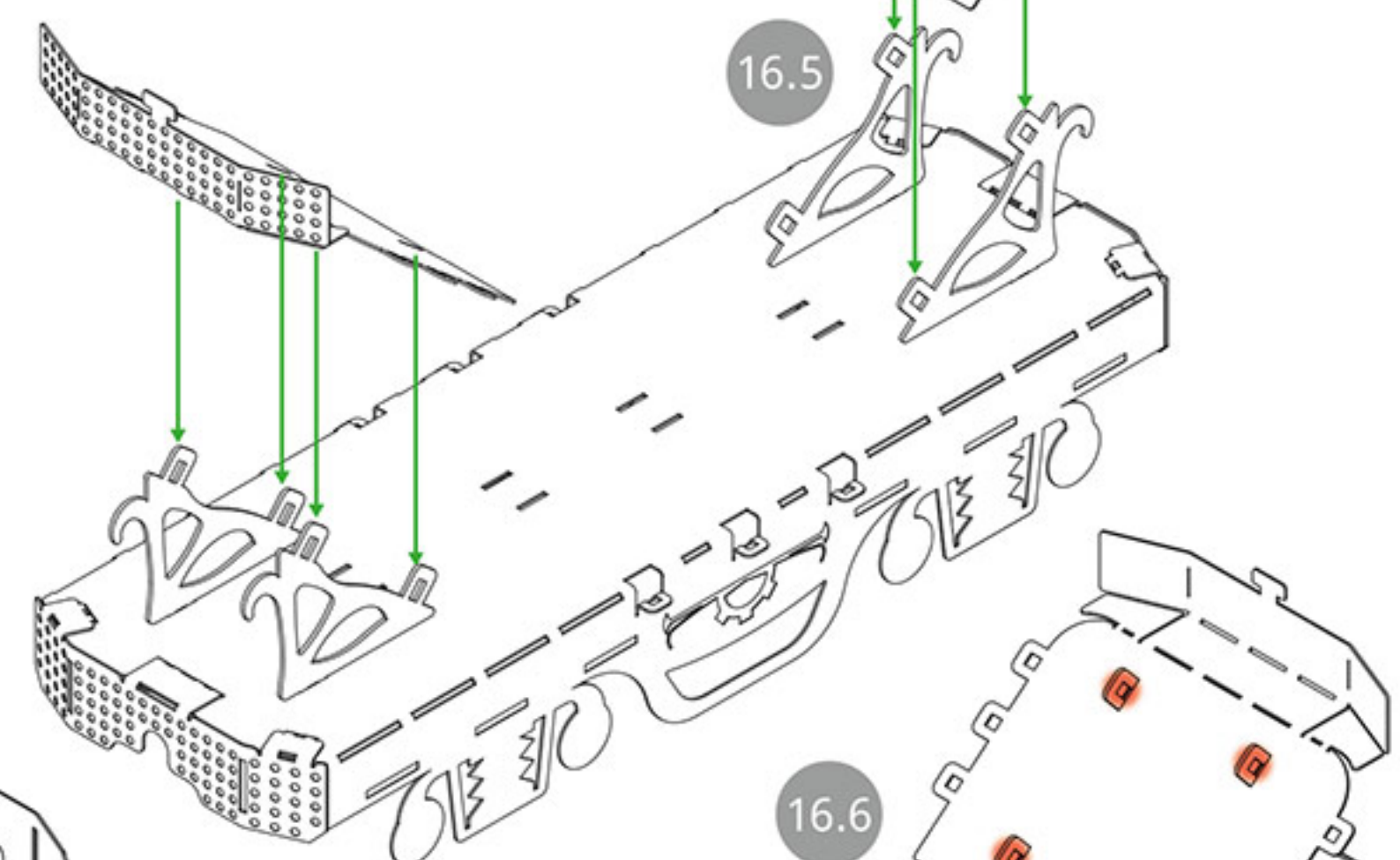
x2



16.3



16.4



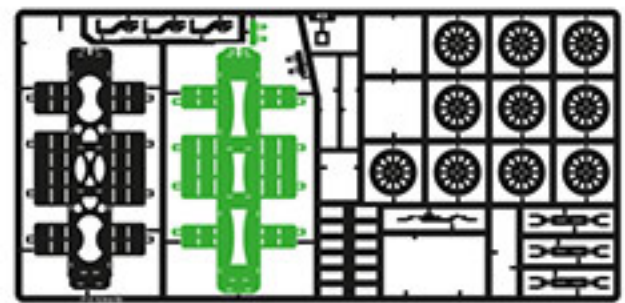
16.6



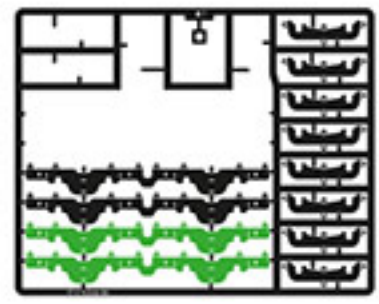
#1



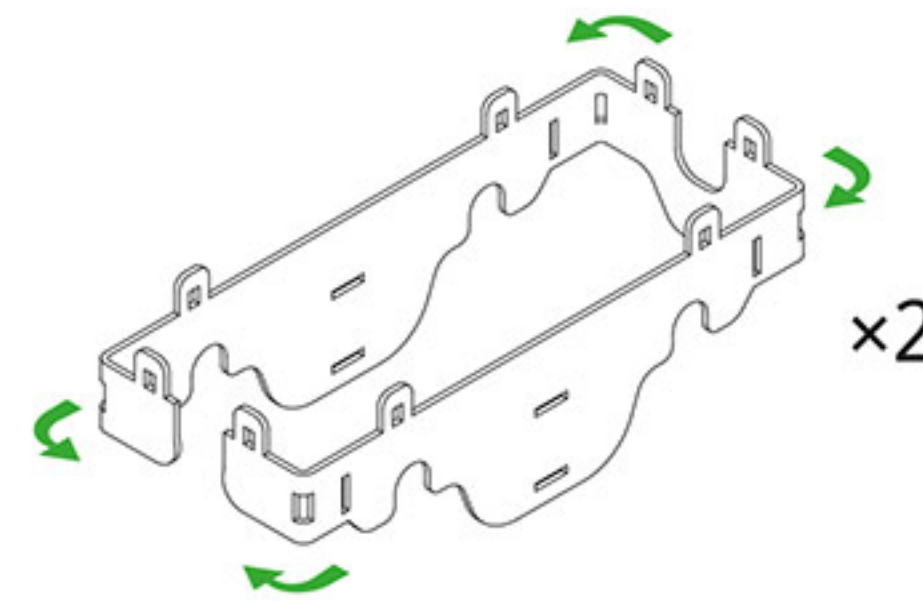
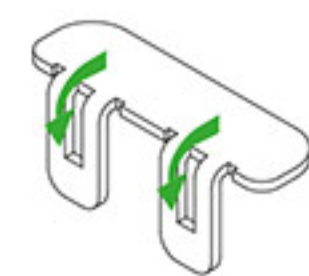
#2



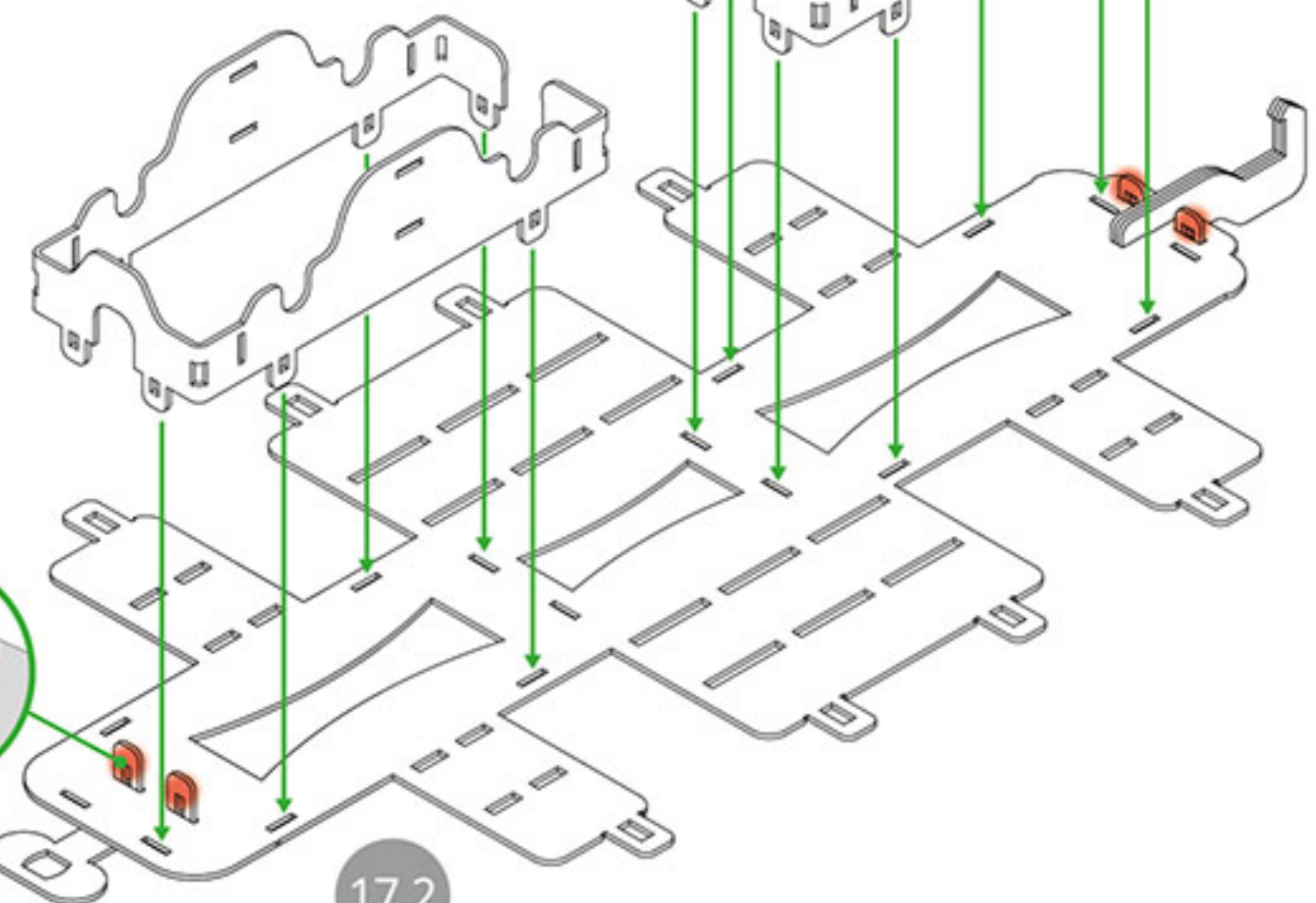
#3



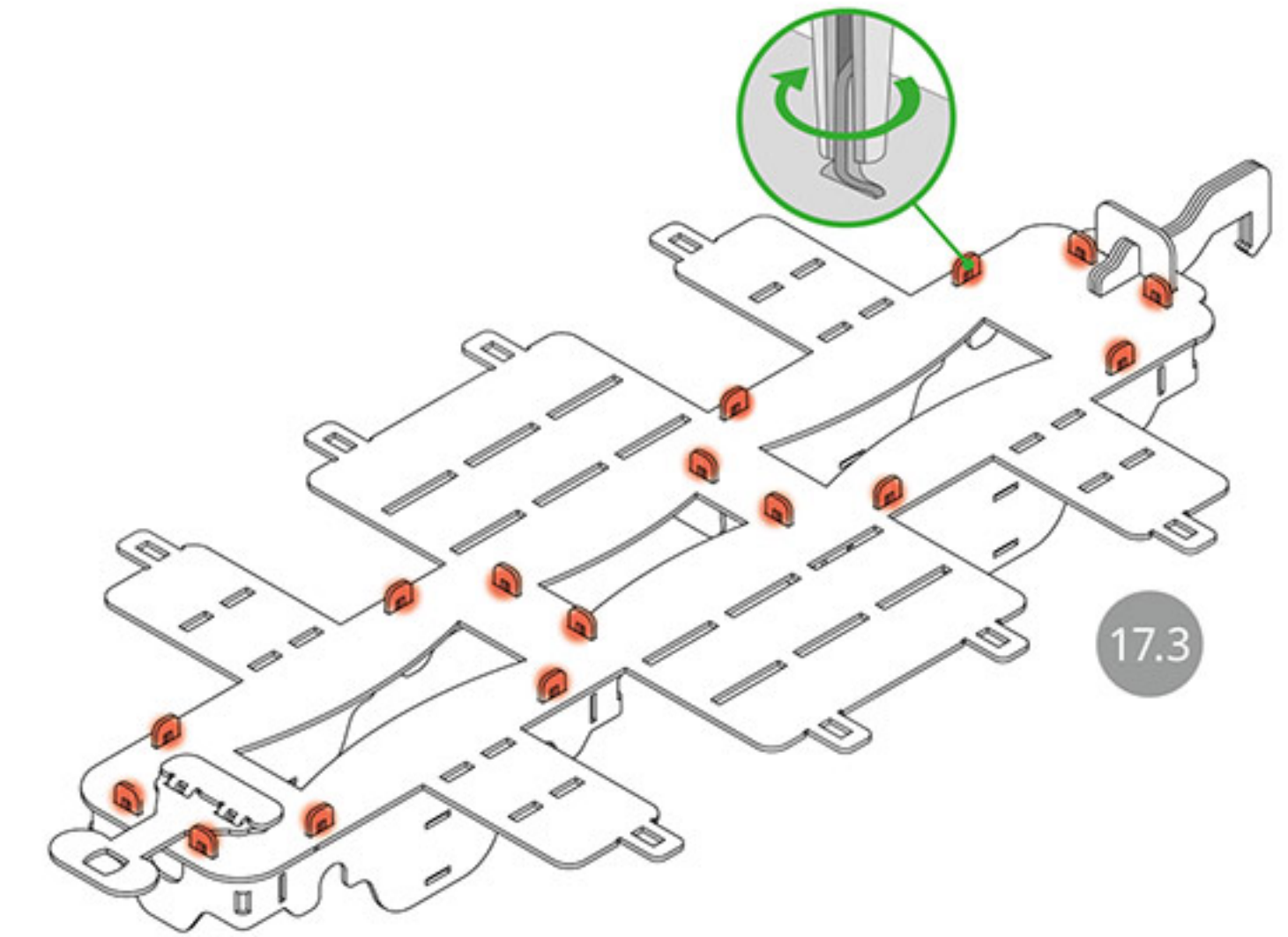
#7



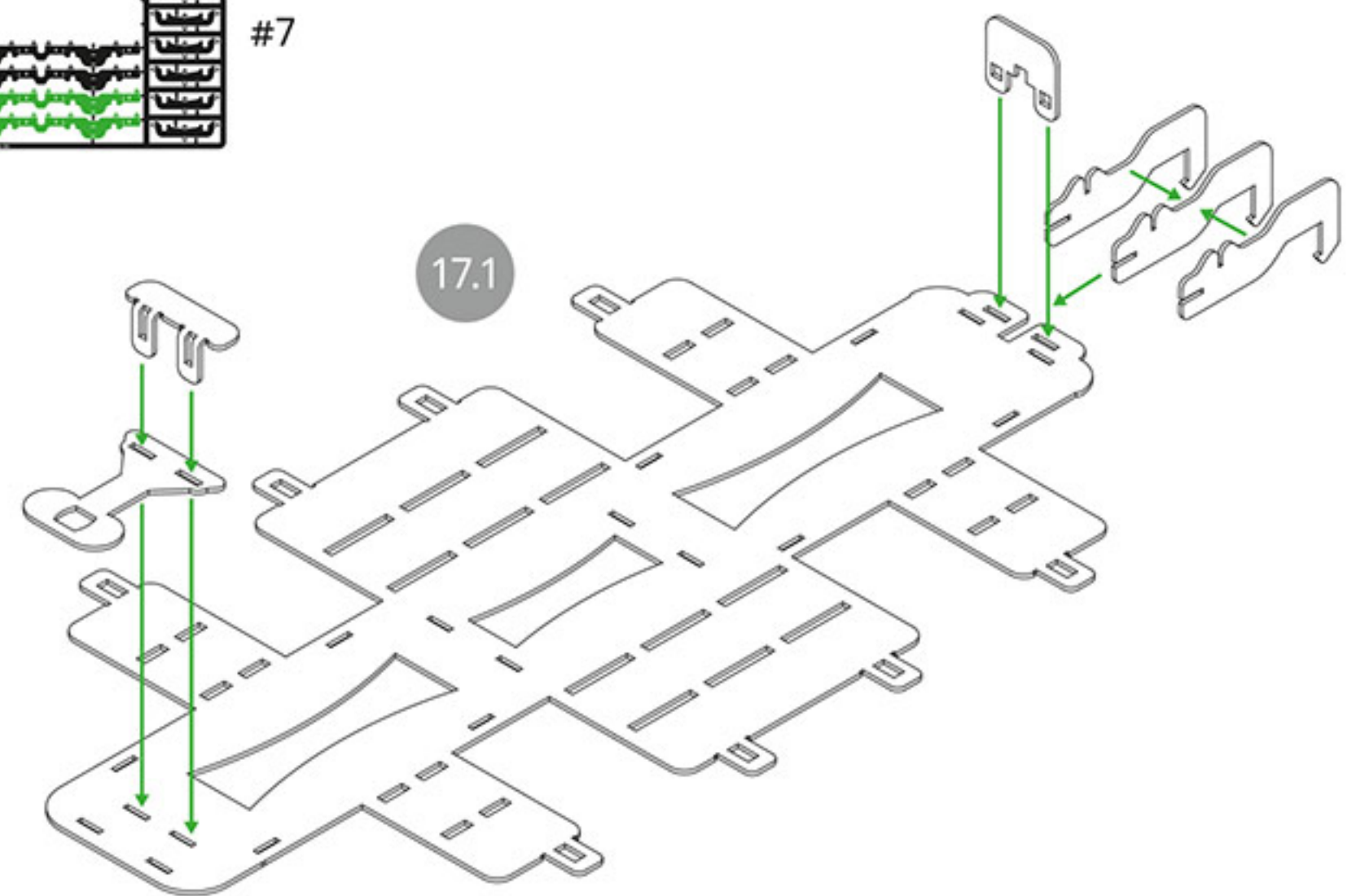
x2



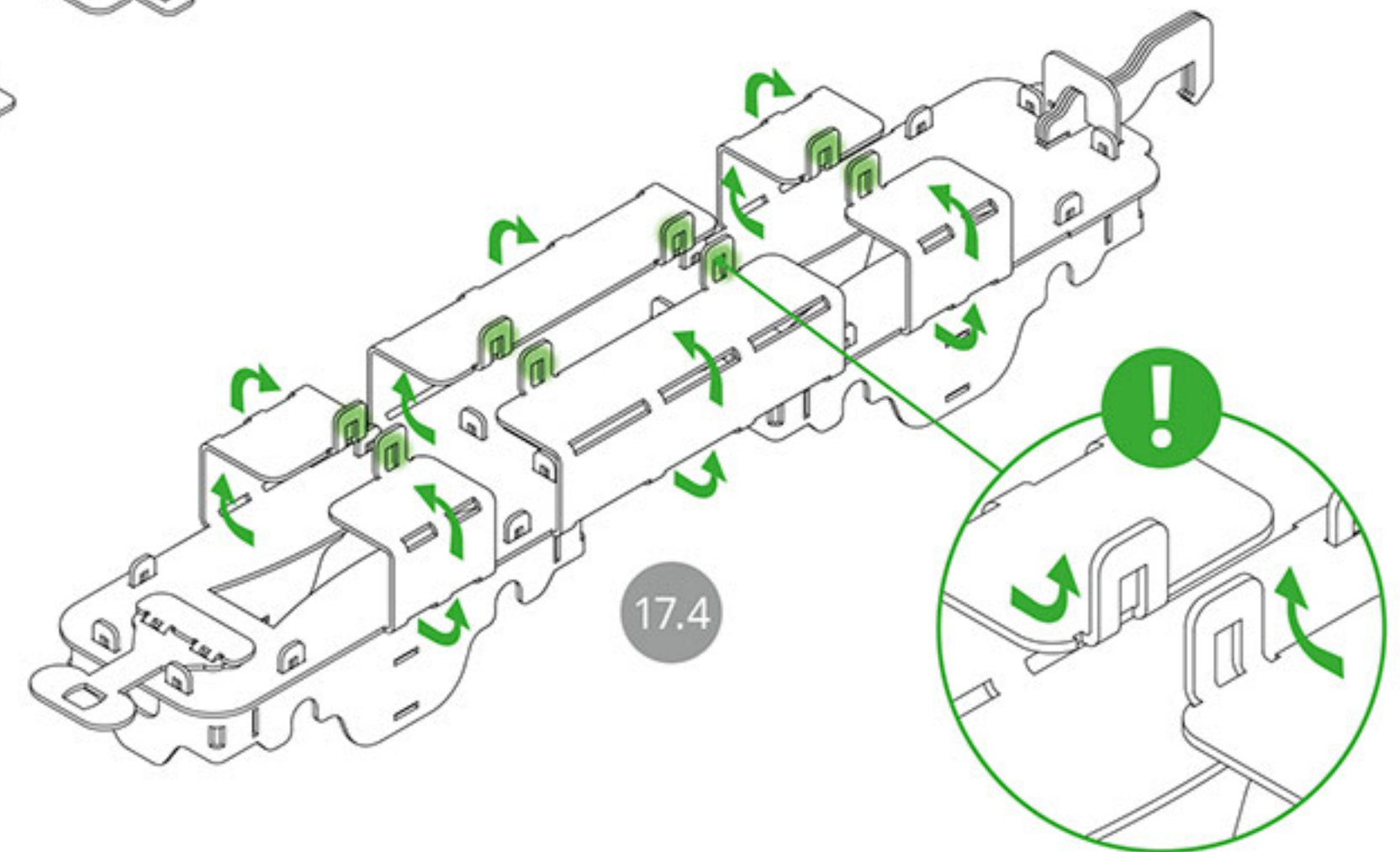
17.2



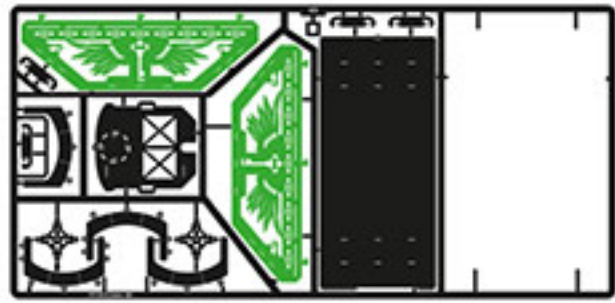
17.3



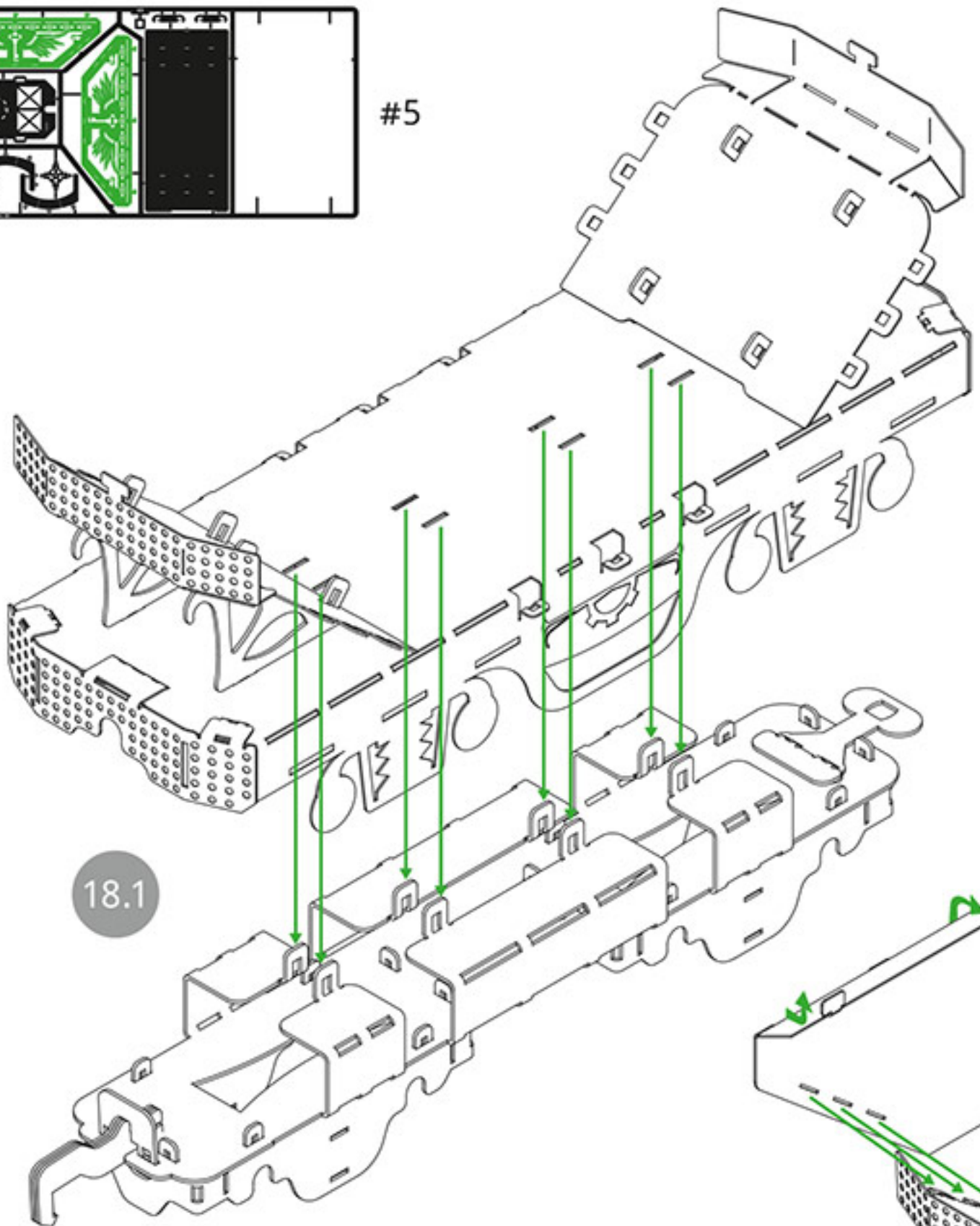
17.1



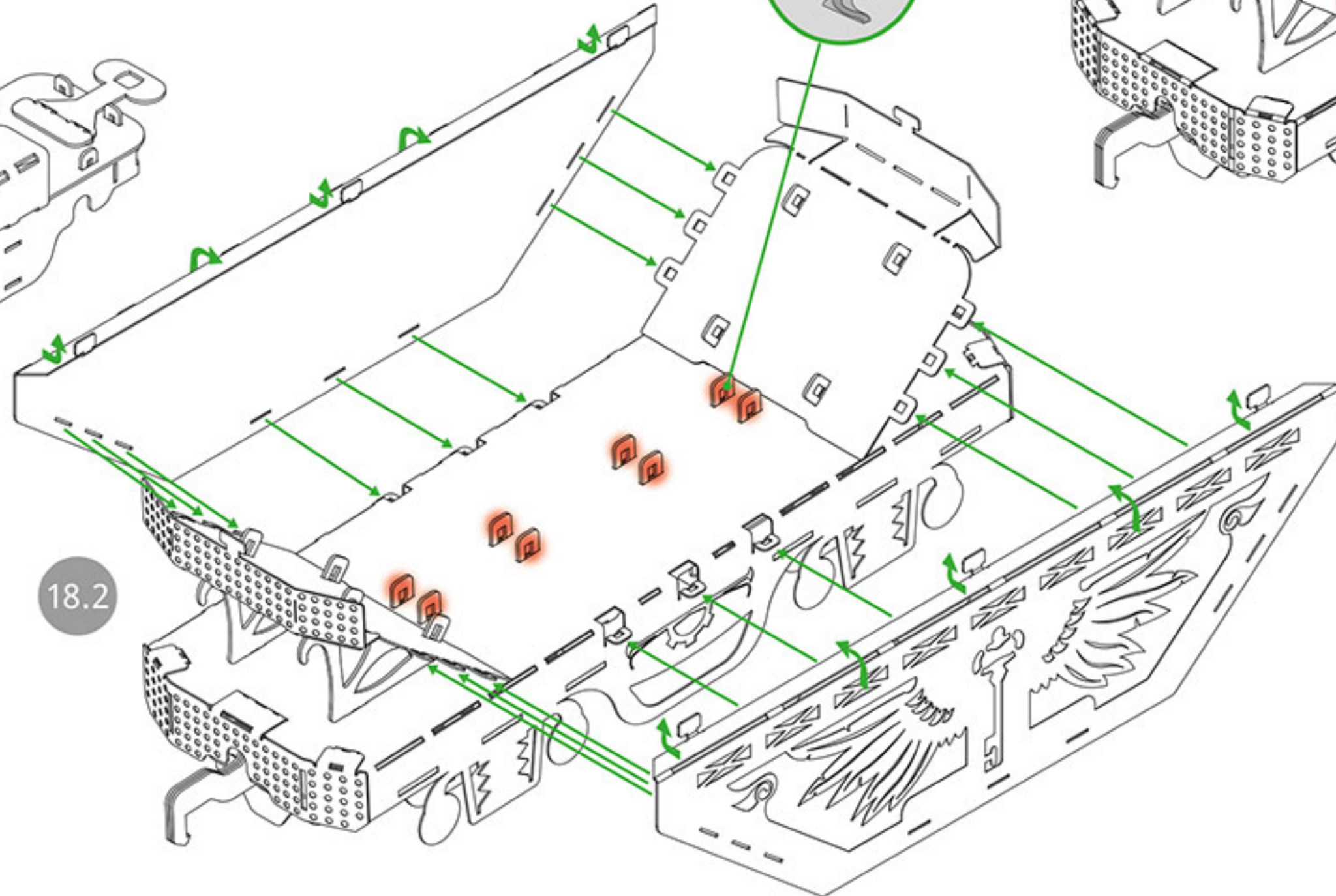
17.4



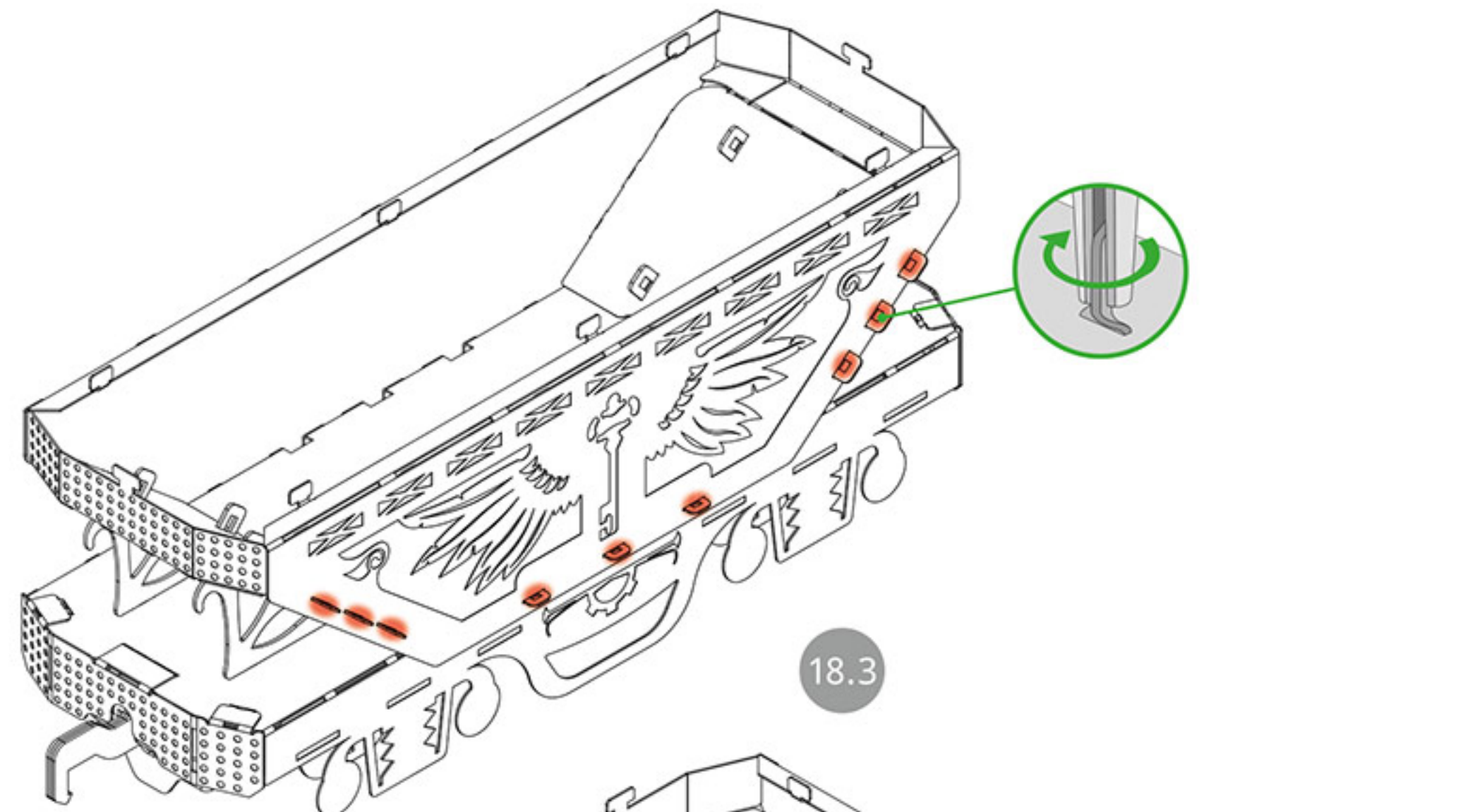
#5



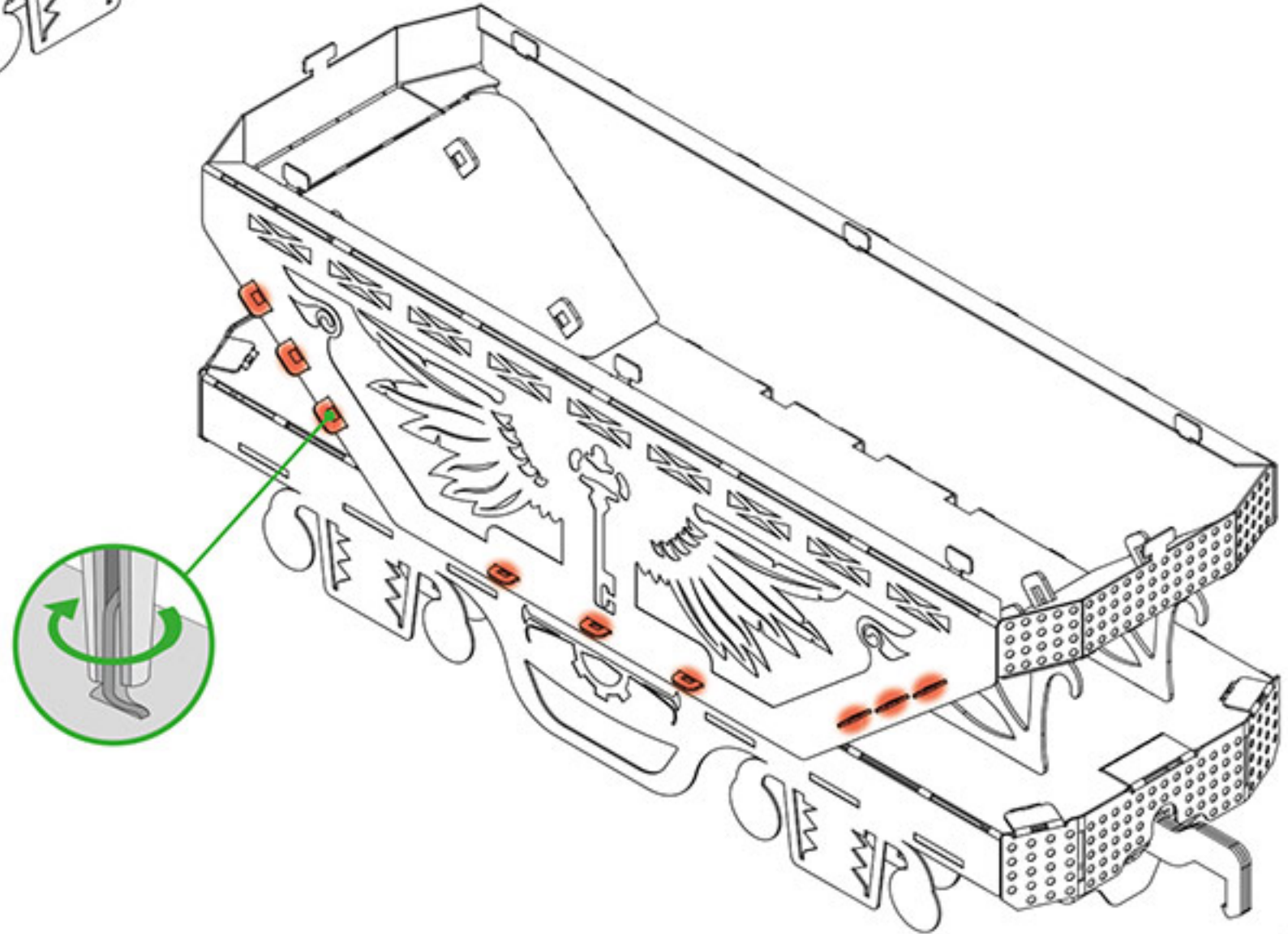
18.1

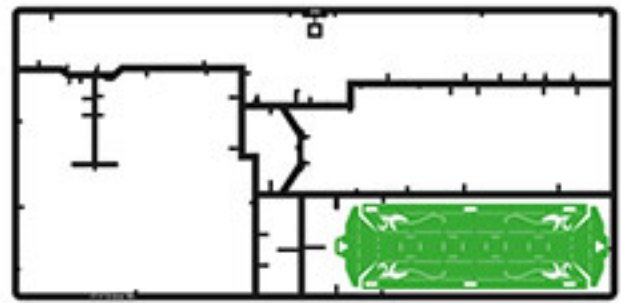


18.2

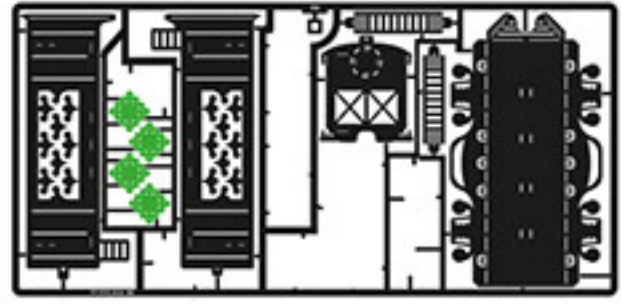


18.3

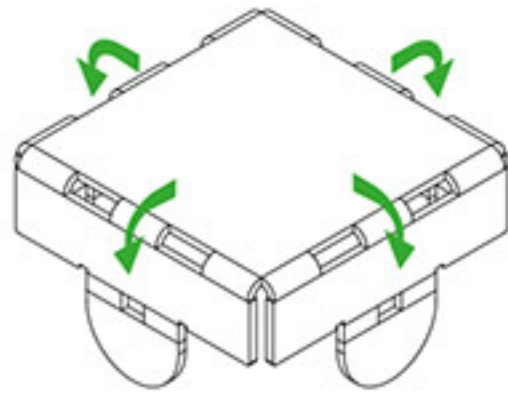




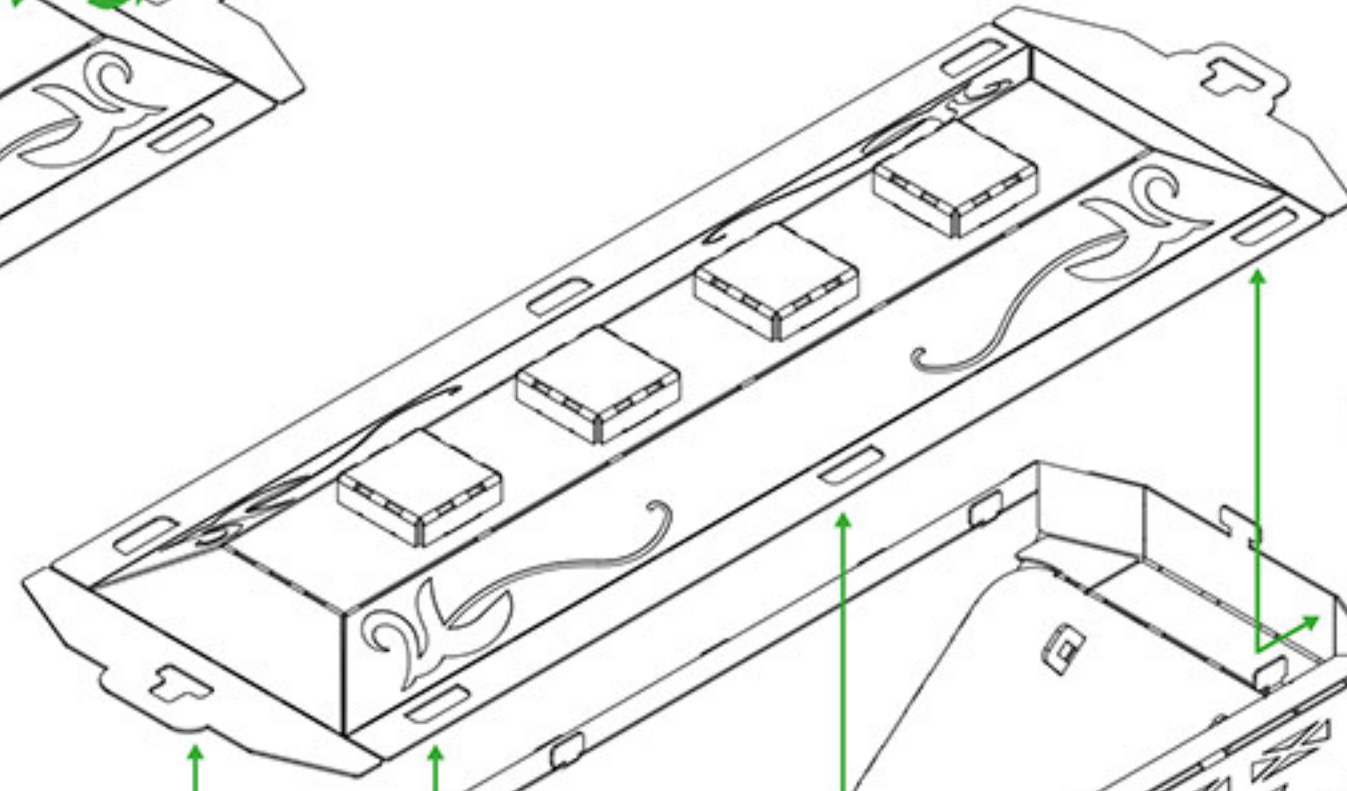
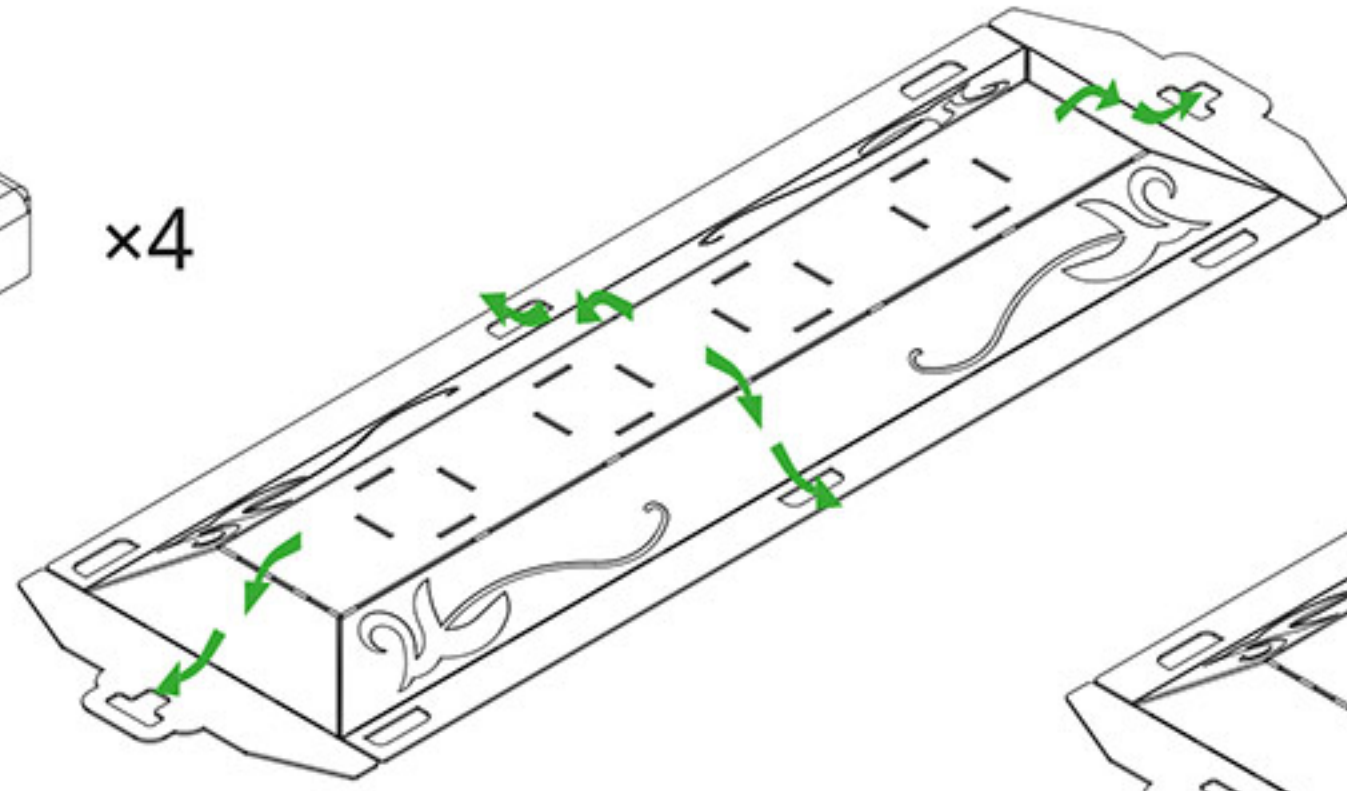
#4



#6

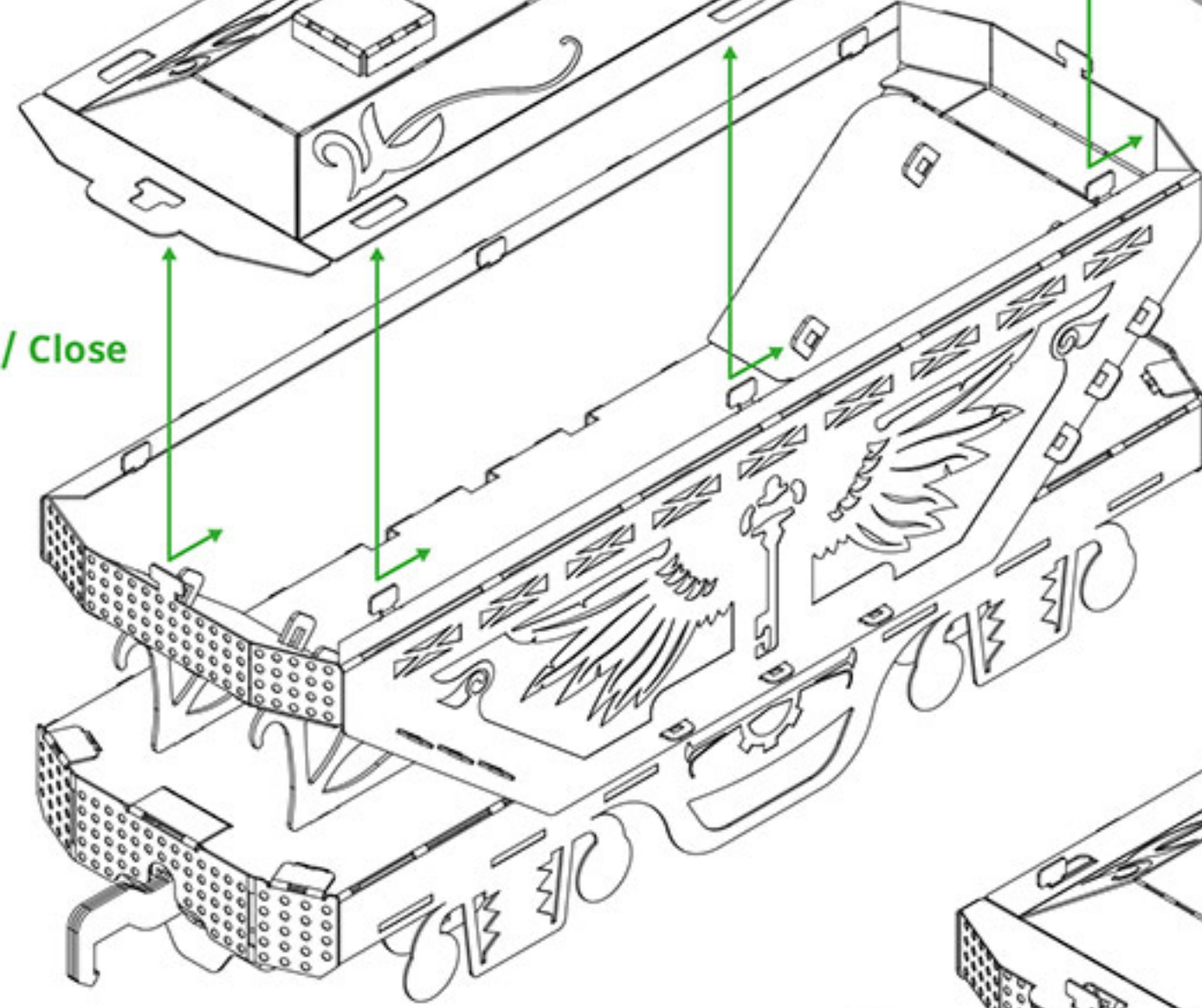


x4



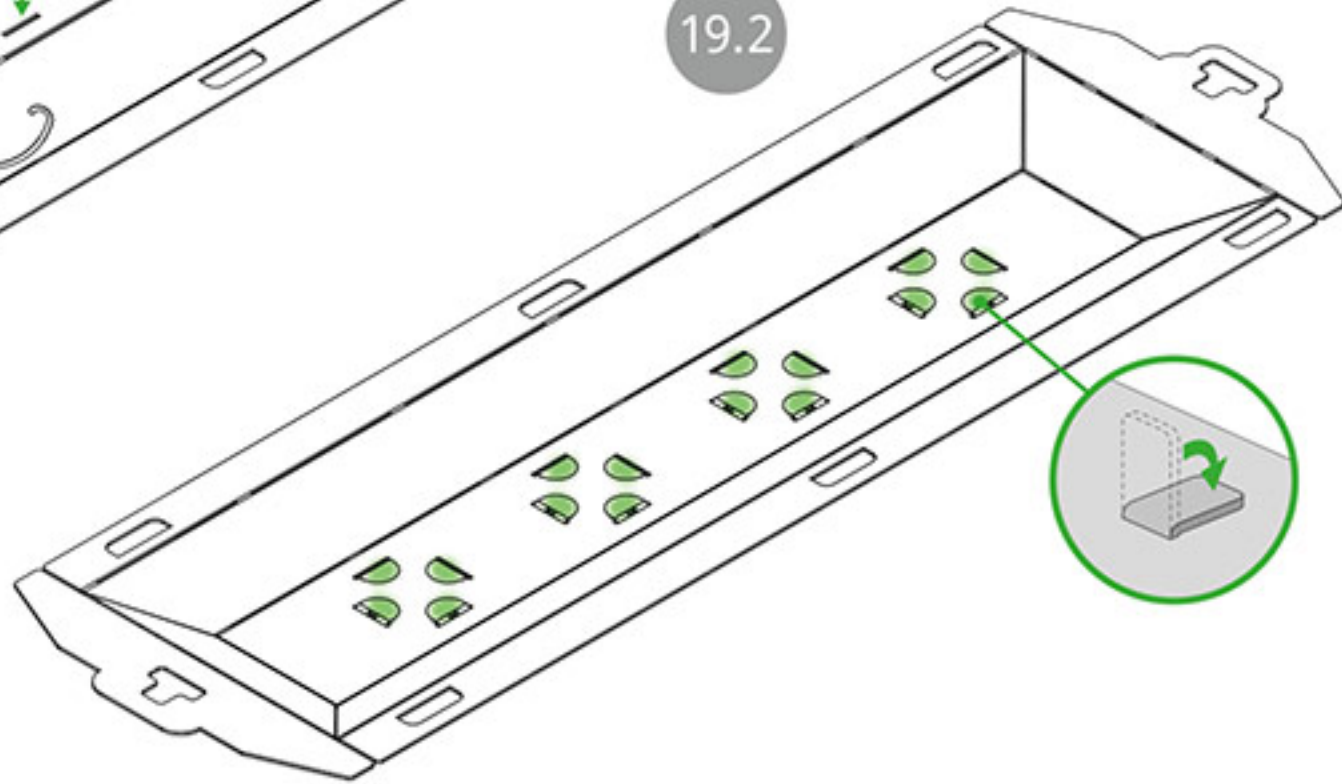
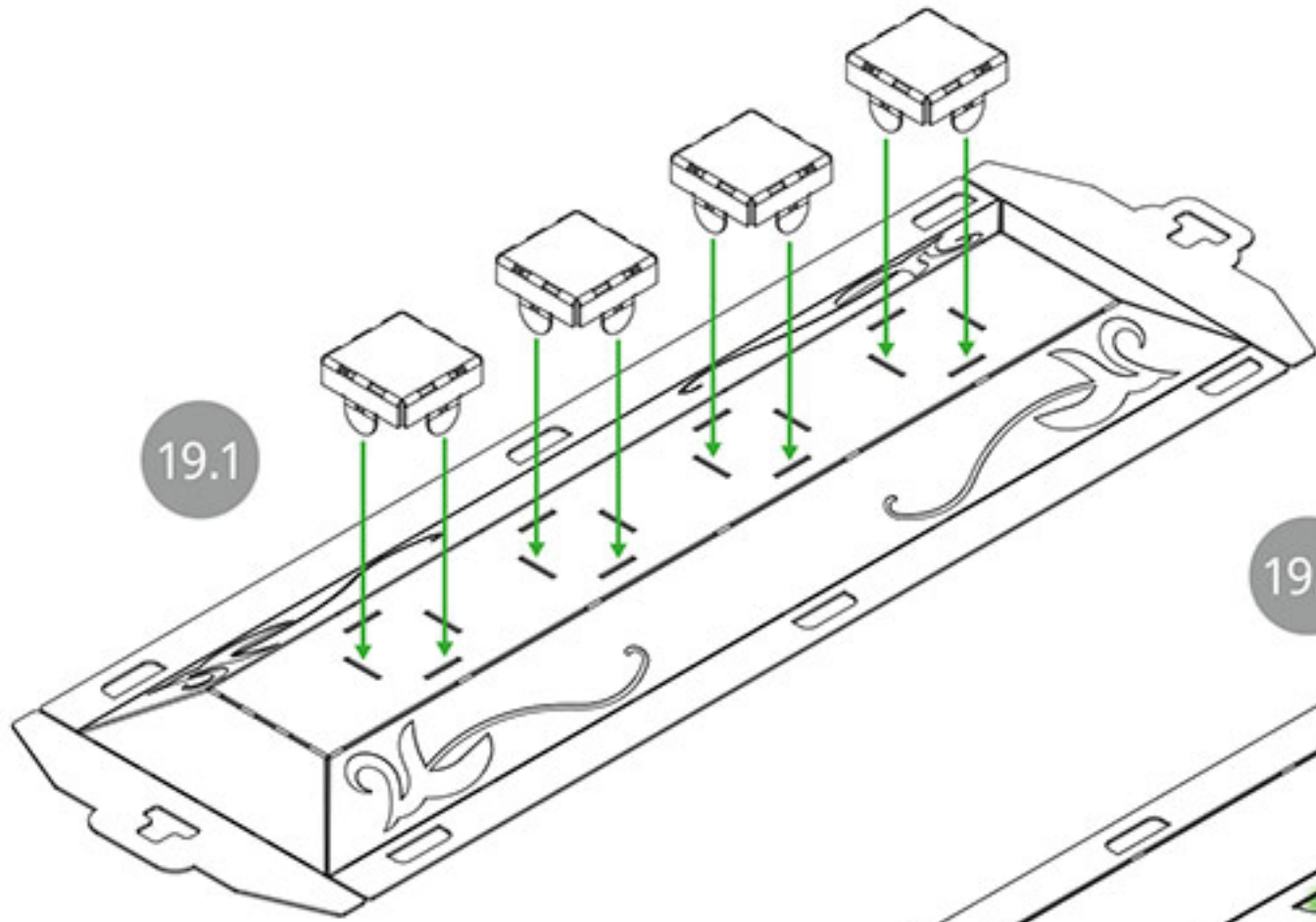
19.3

Open / Close

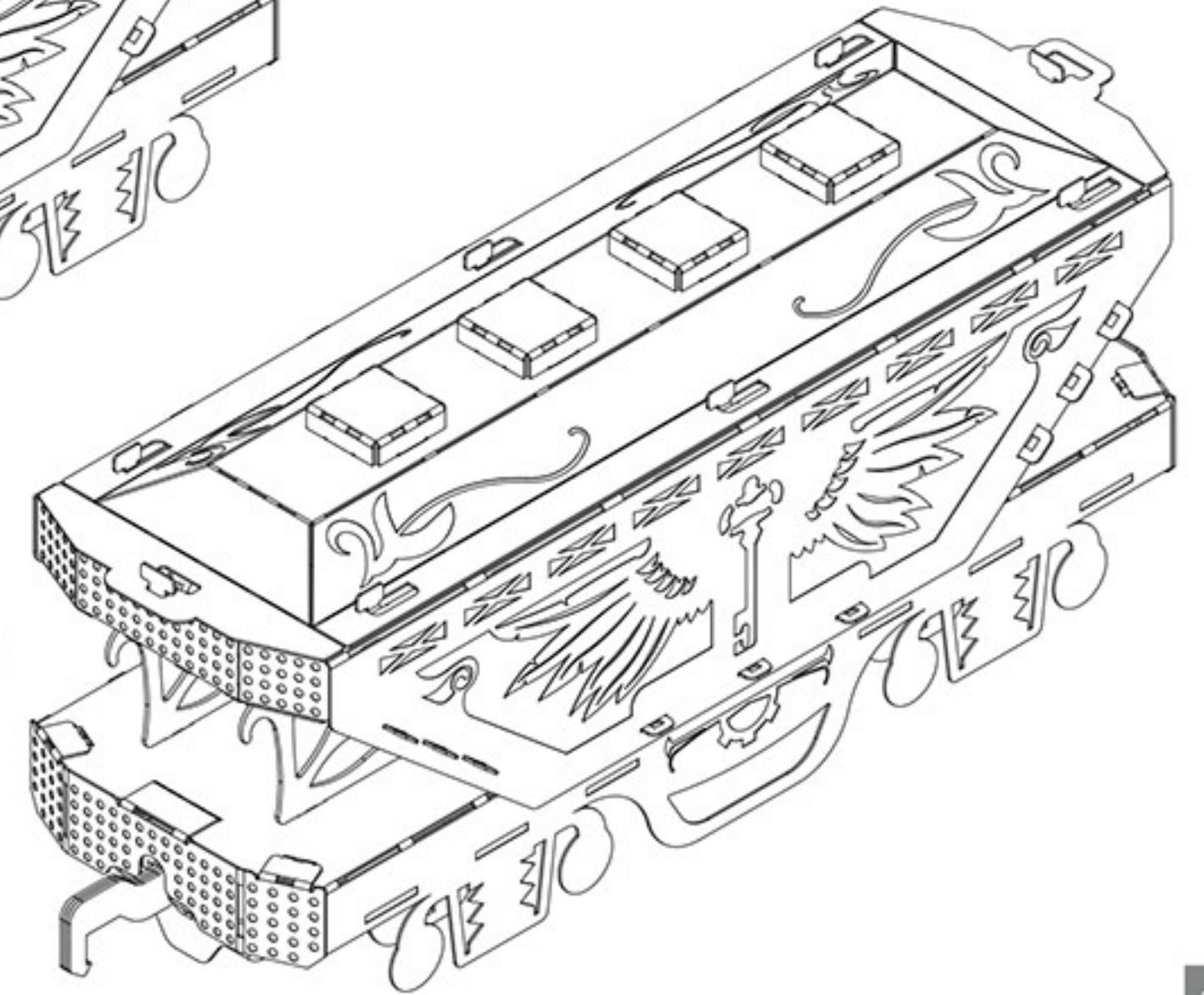


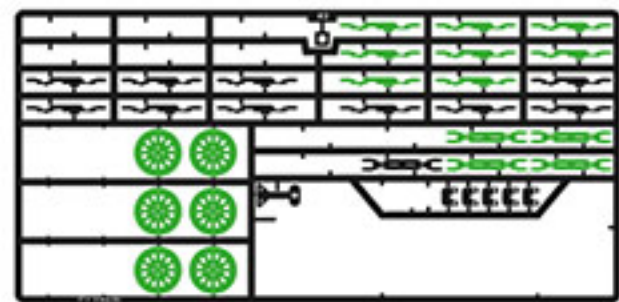
19.1

19.2

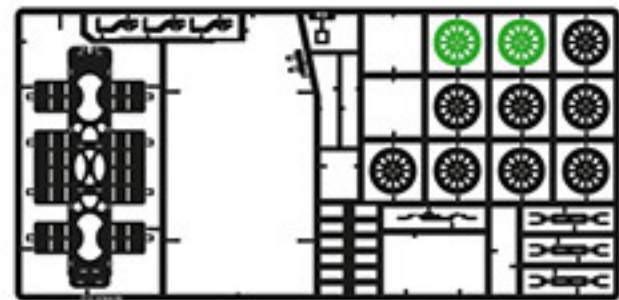


19.4

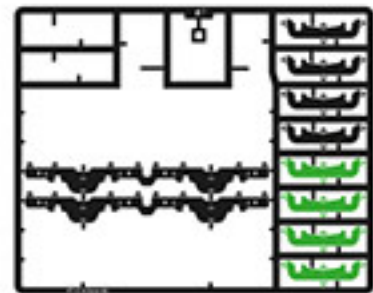




#2



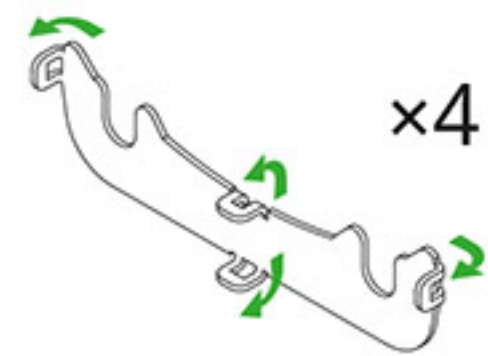
#3



#7



D2 x8

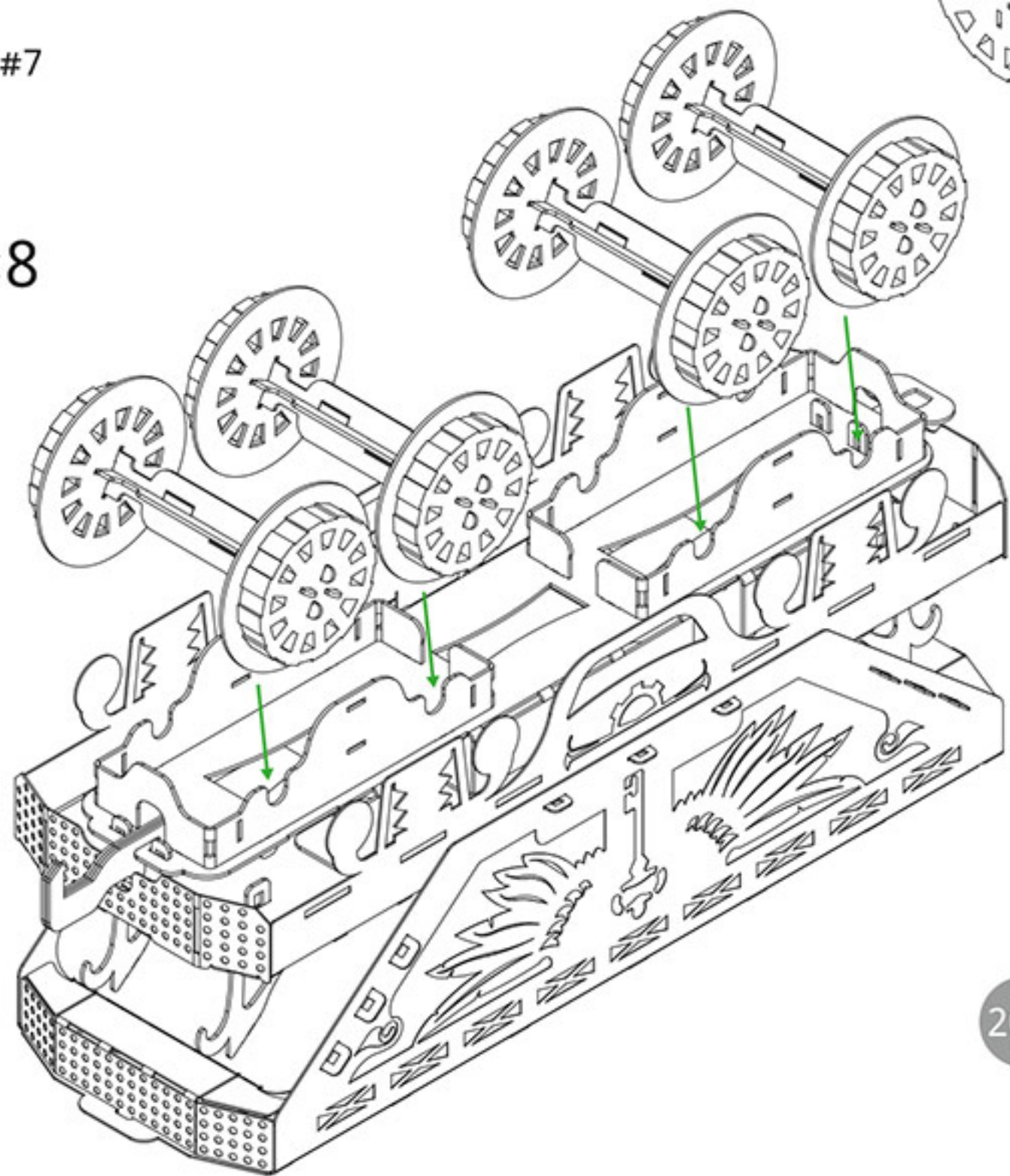


x4

20.1

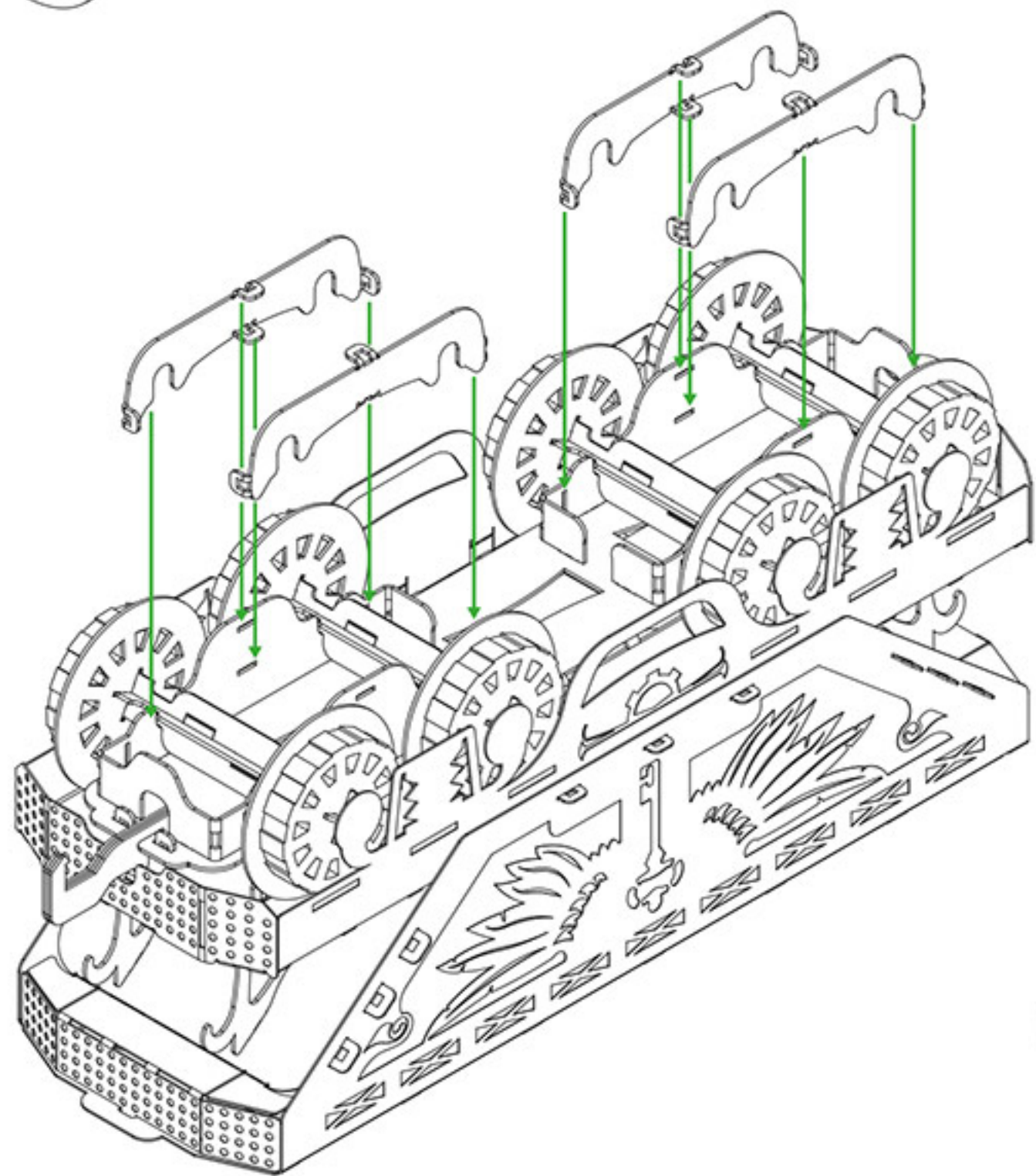
20.2

x4

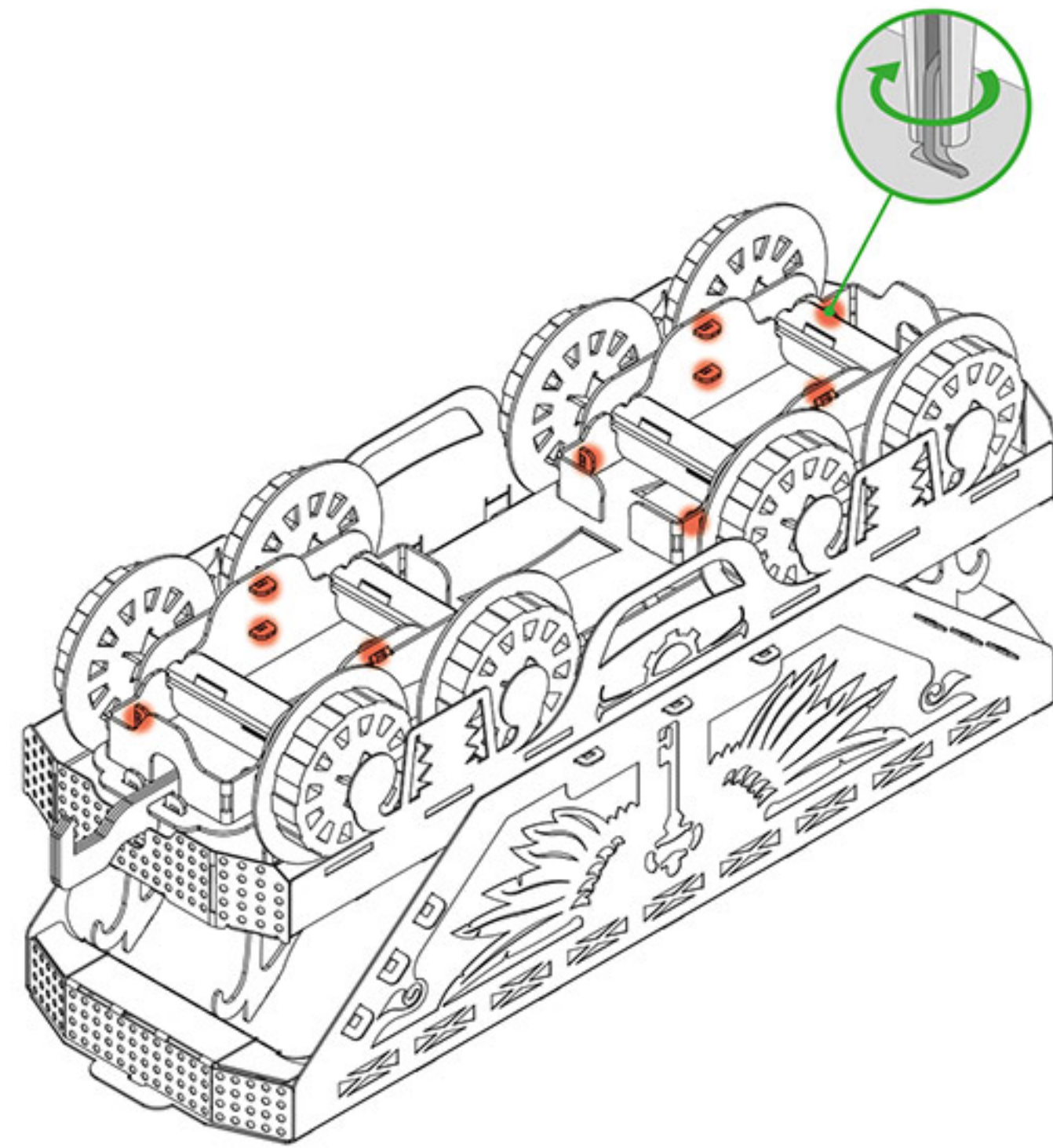


20.3

20.4

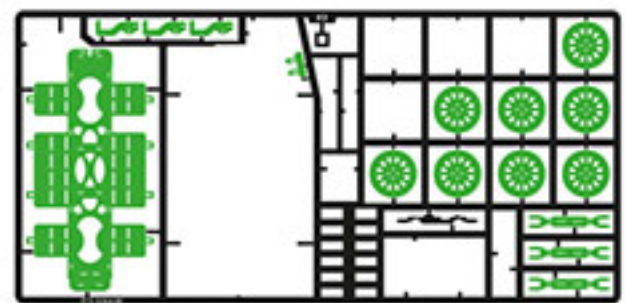


20.5

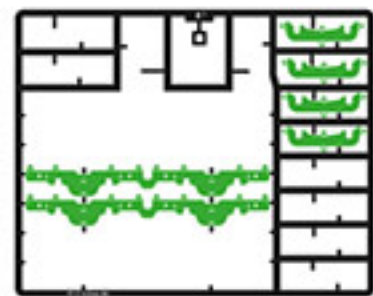




#2



#3



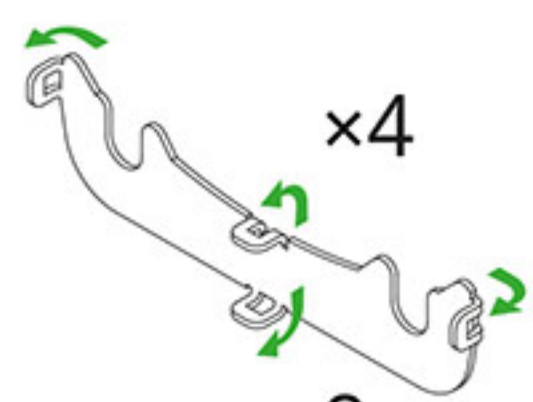
#7



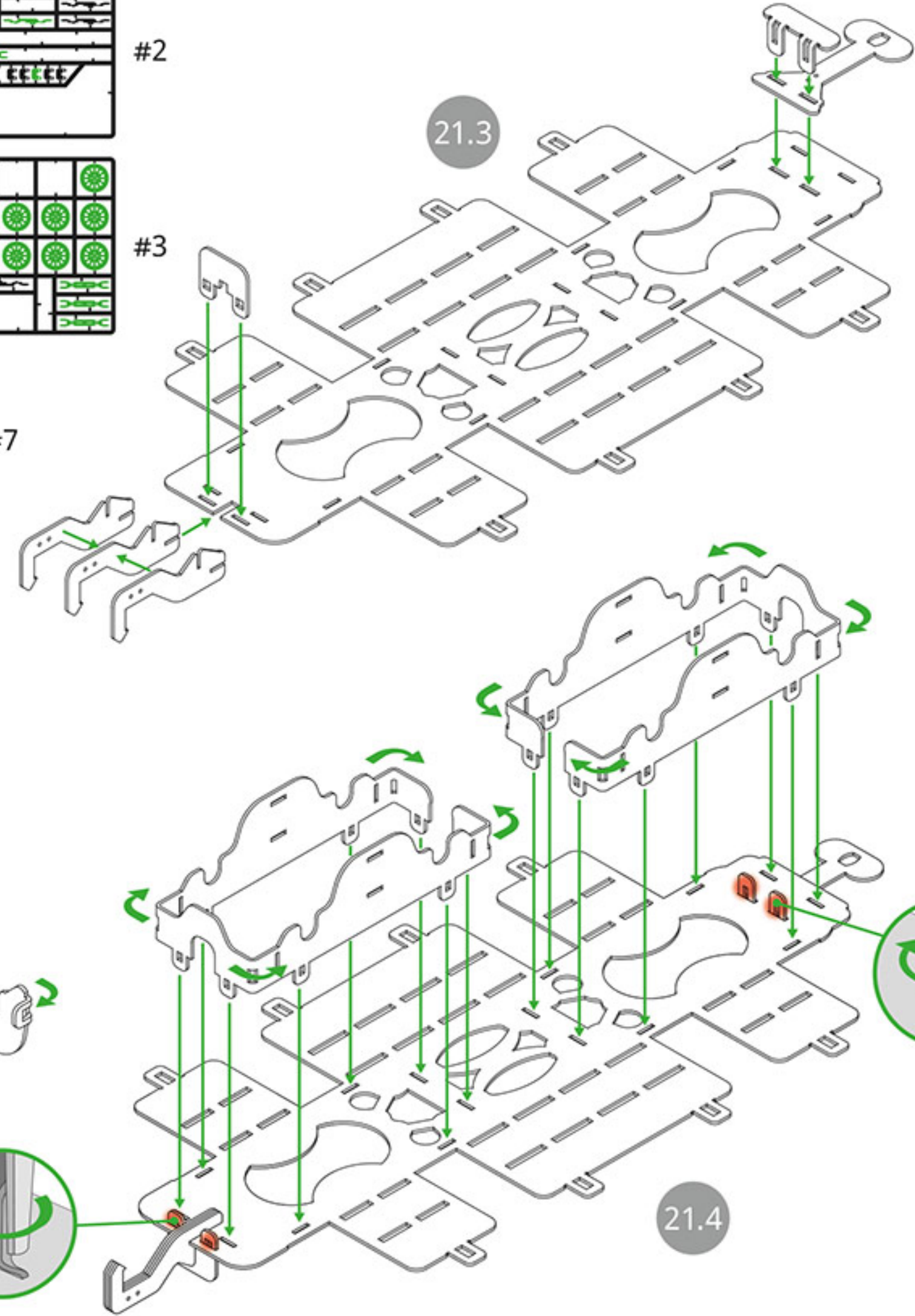
D2



x4

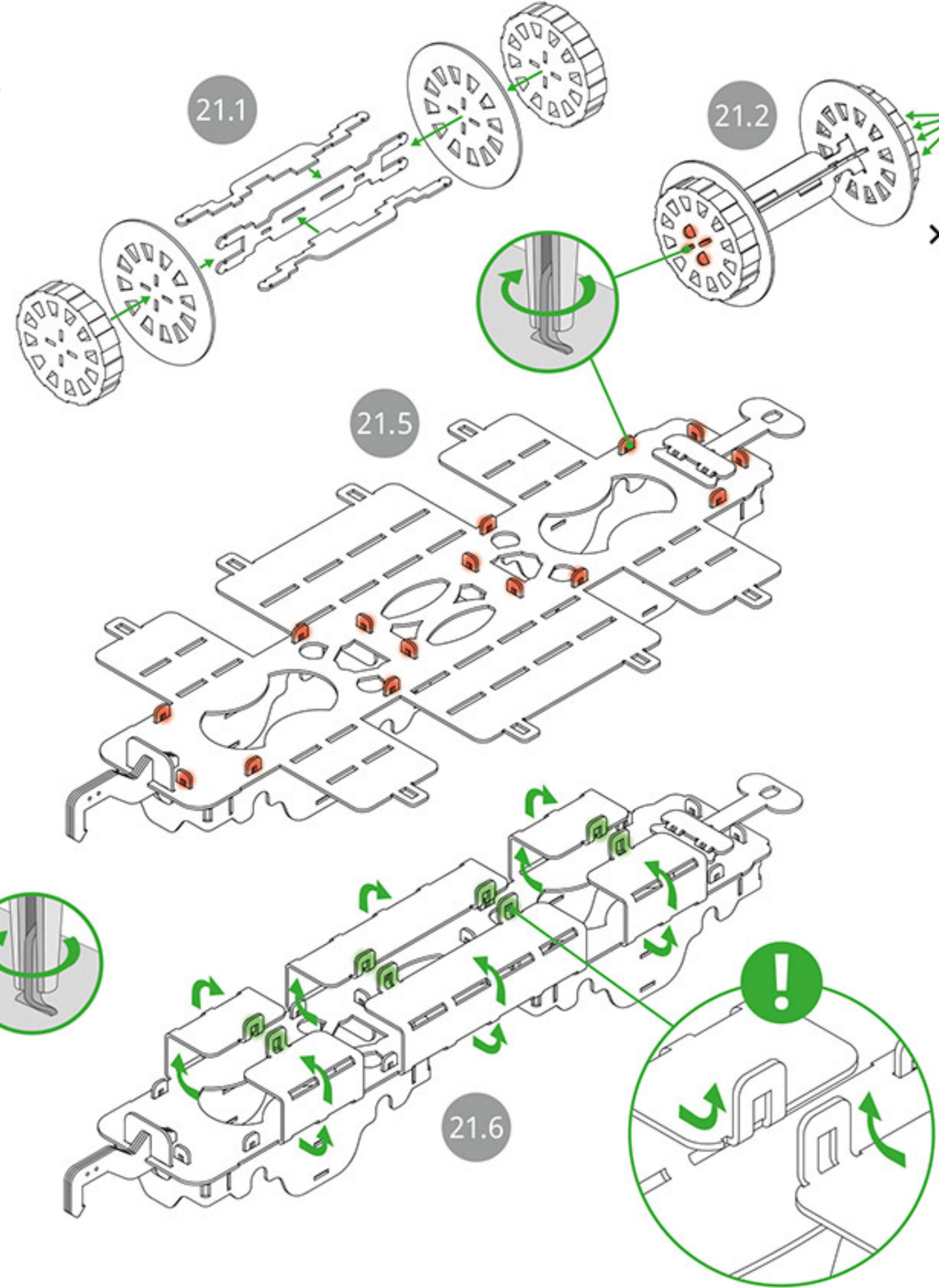


x8



21.3

21.4

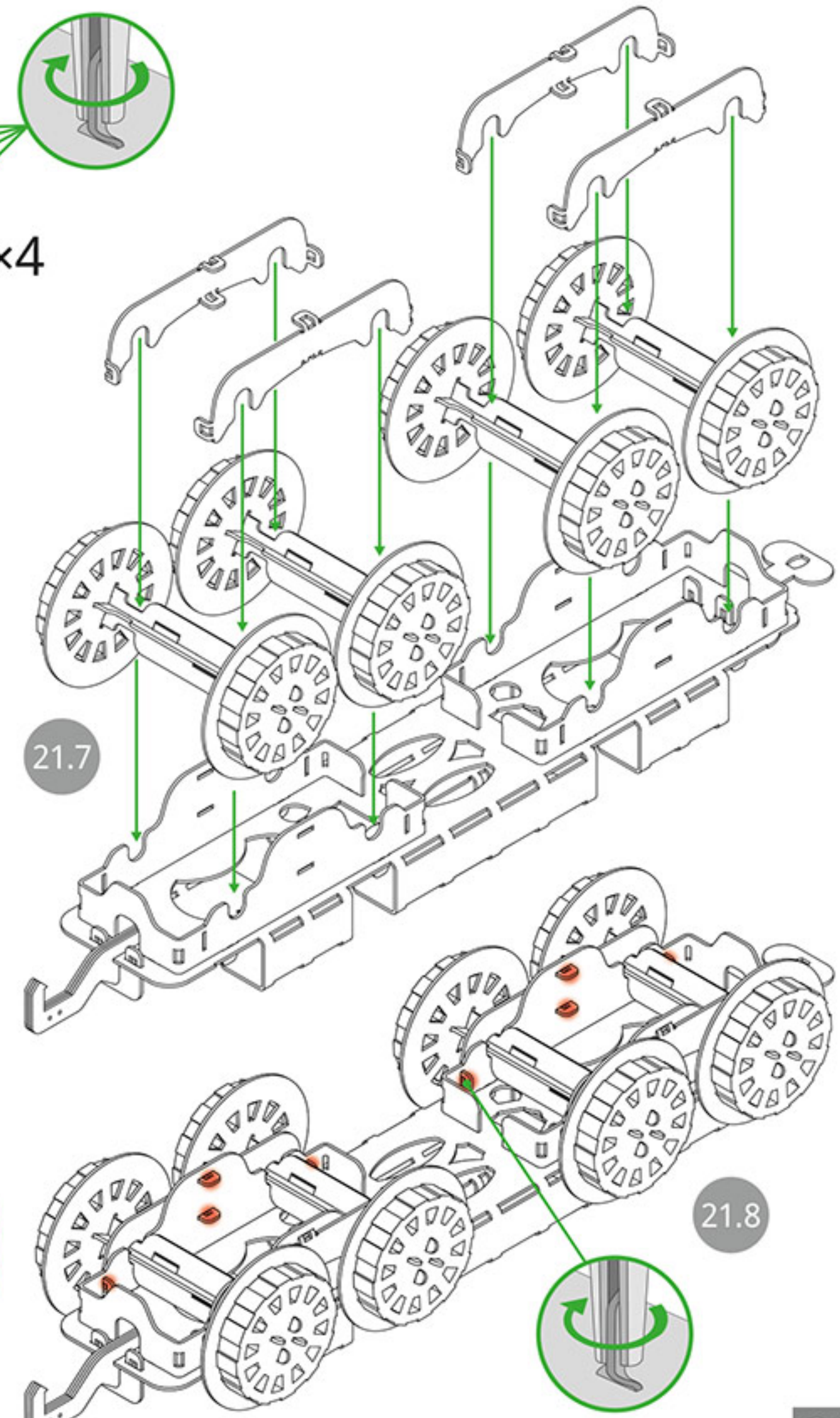


21.1

21.2

21.5

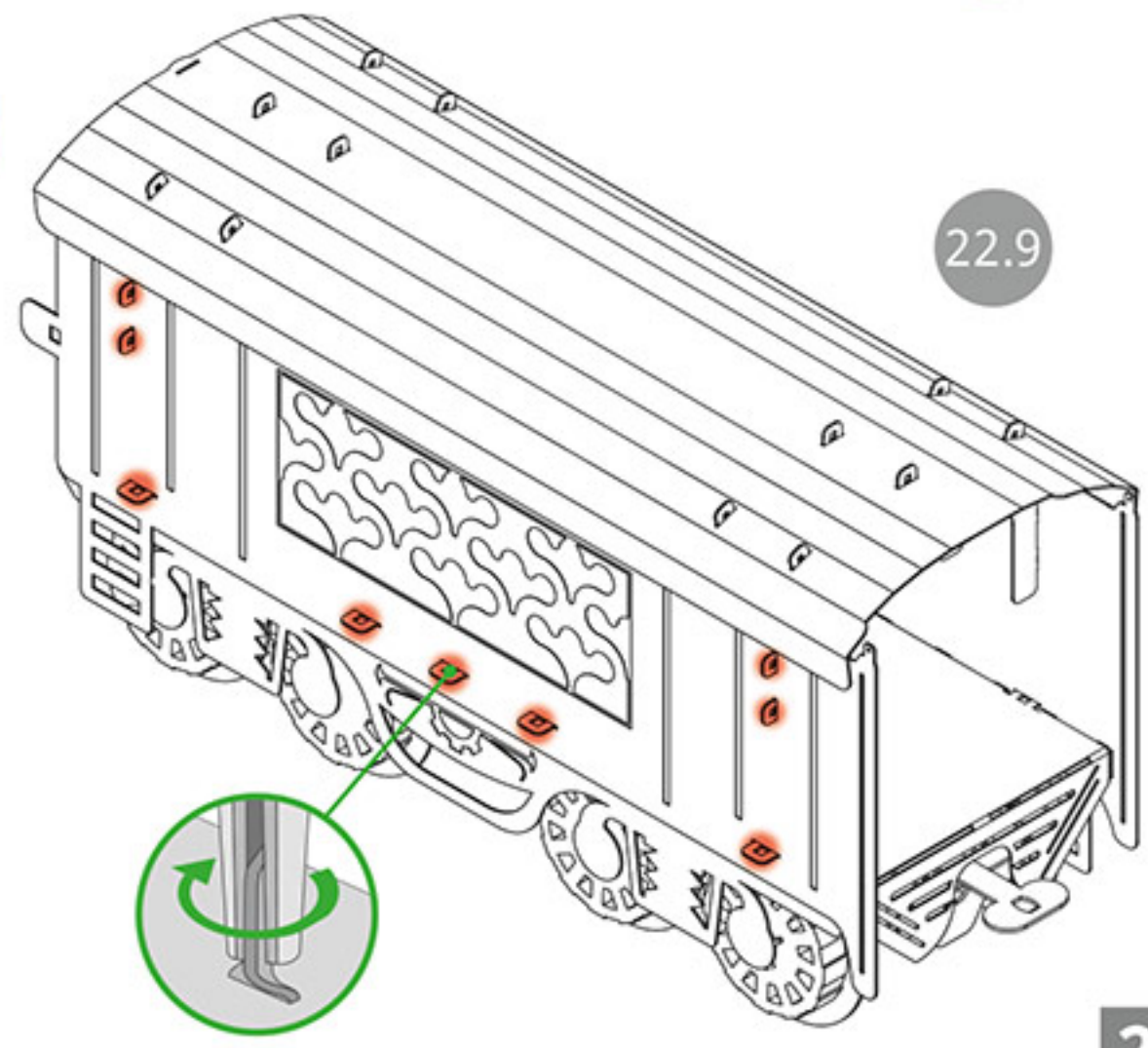
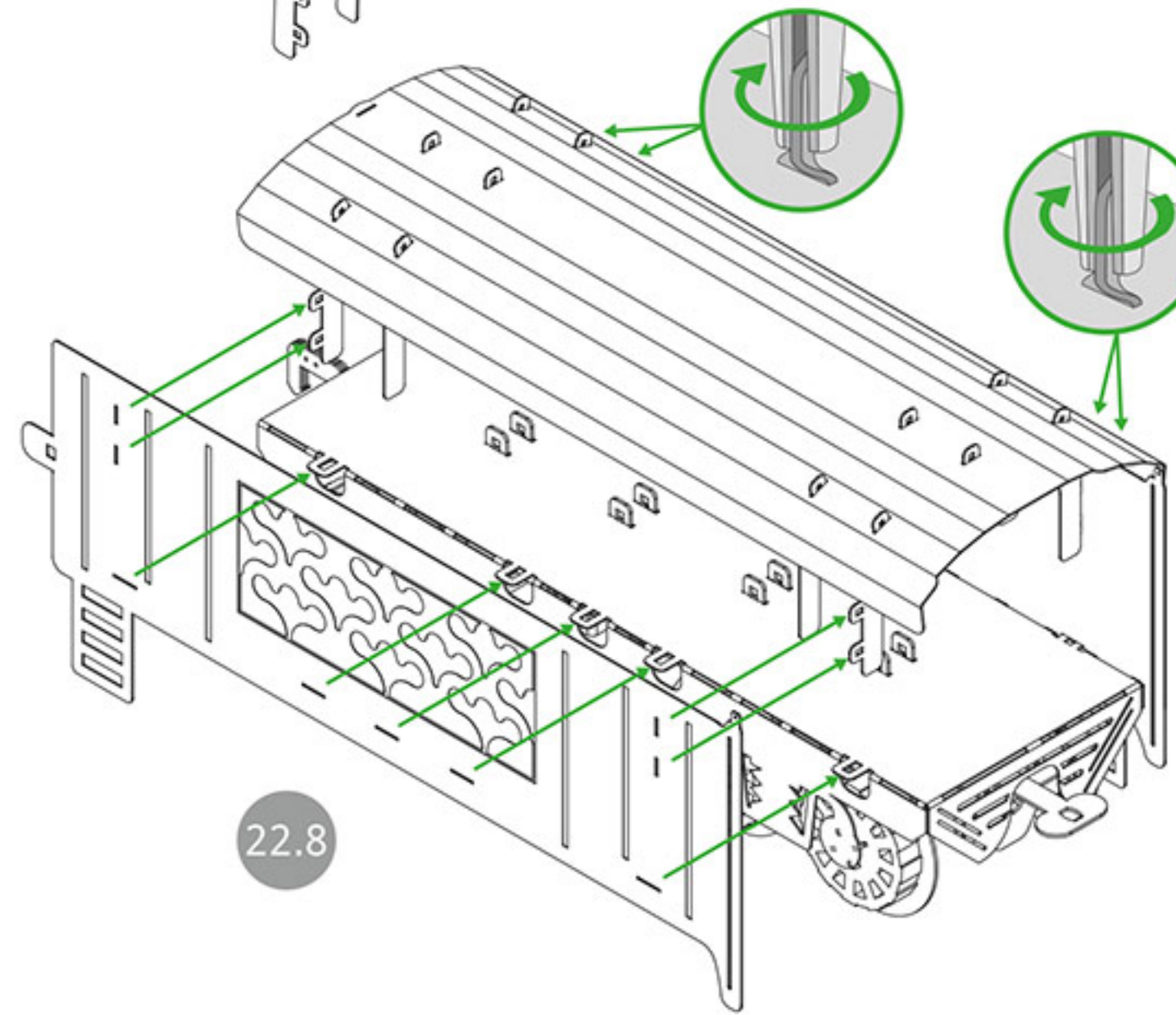
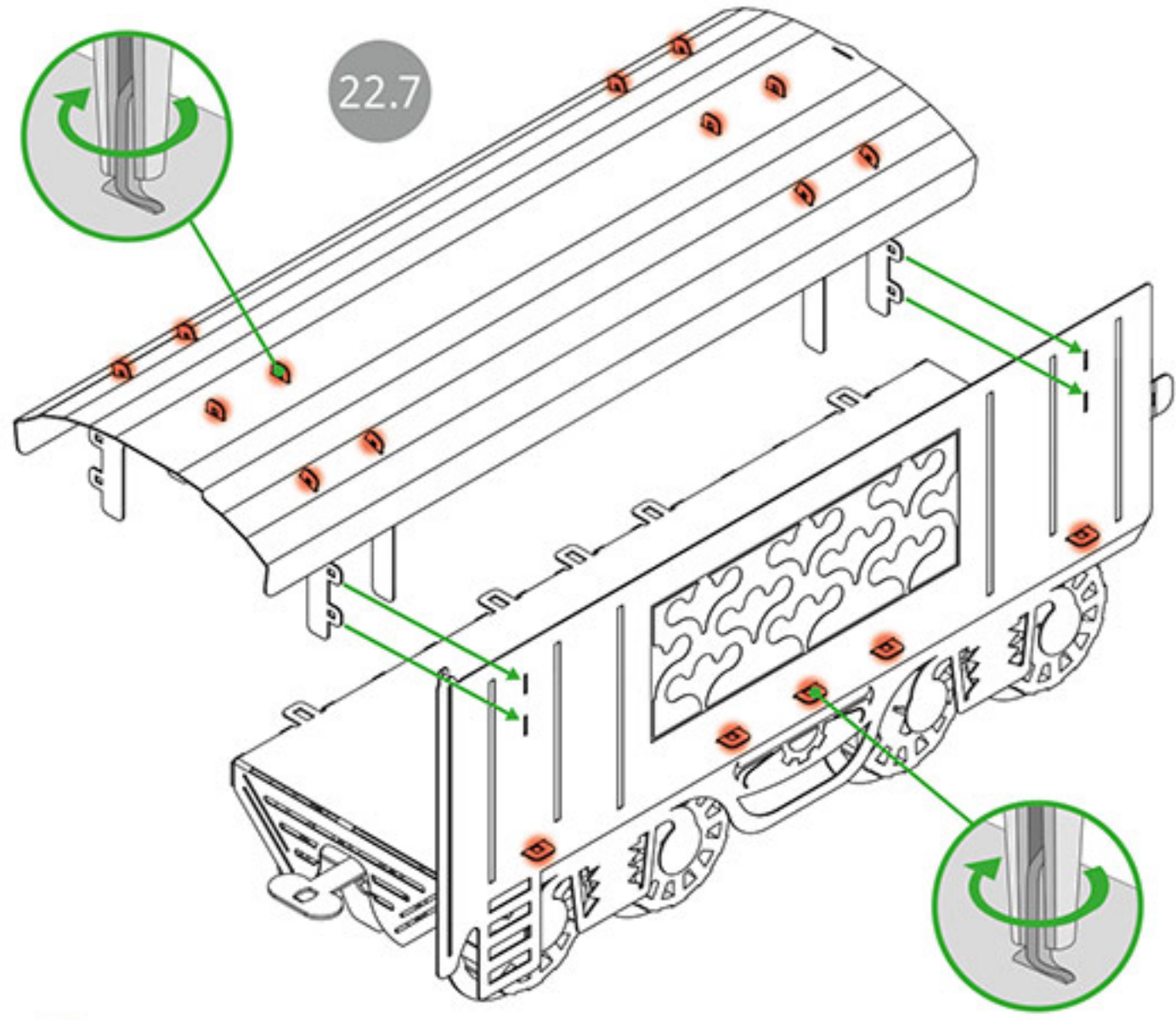
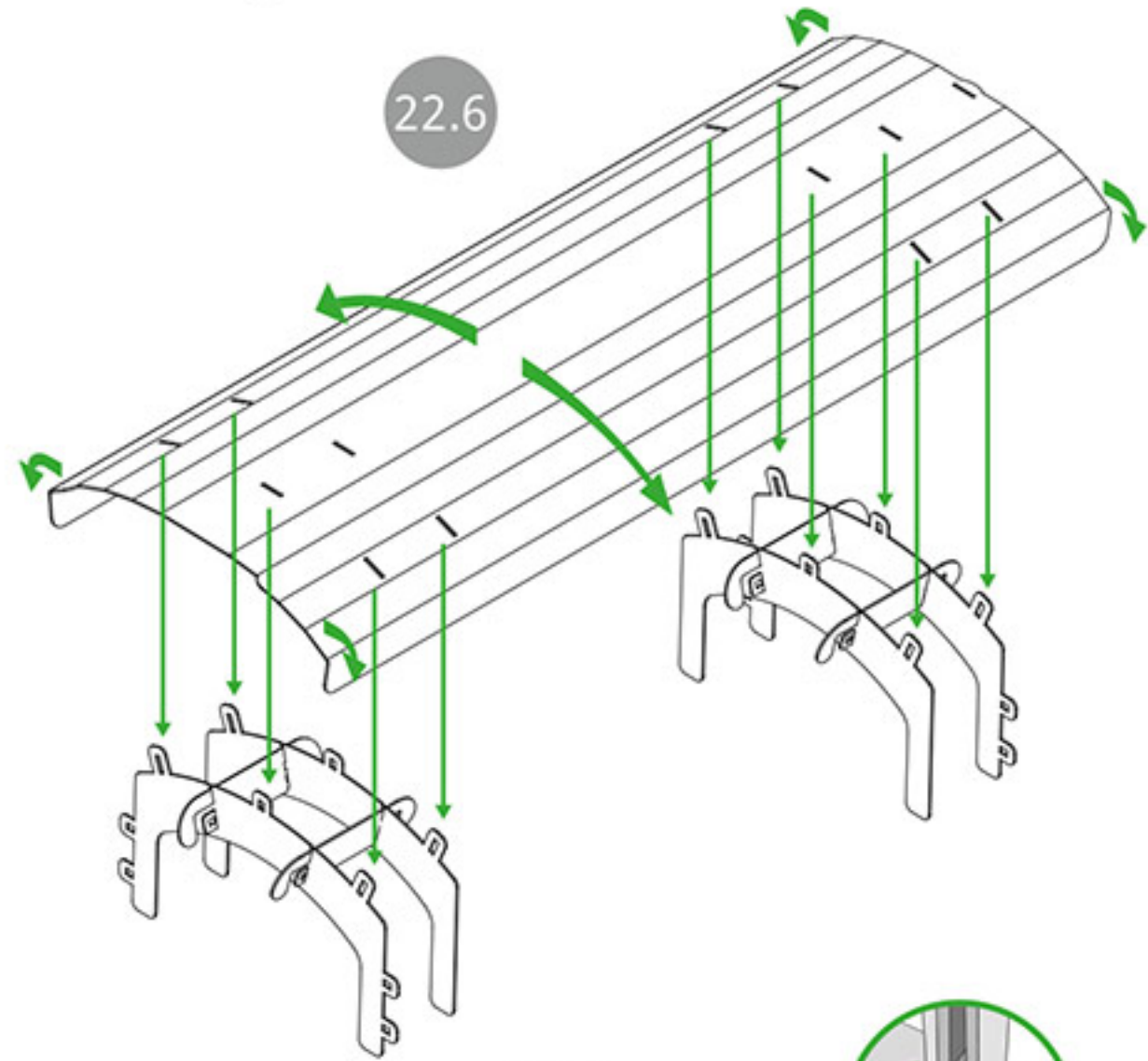
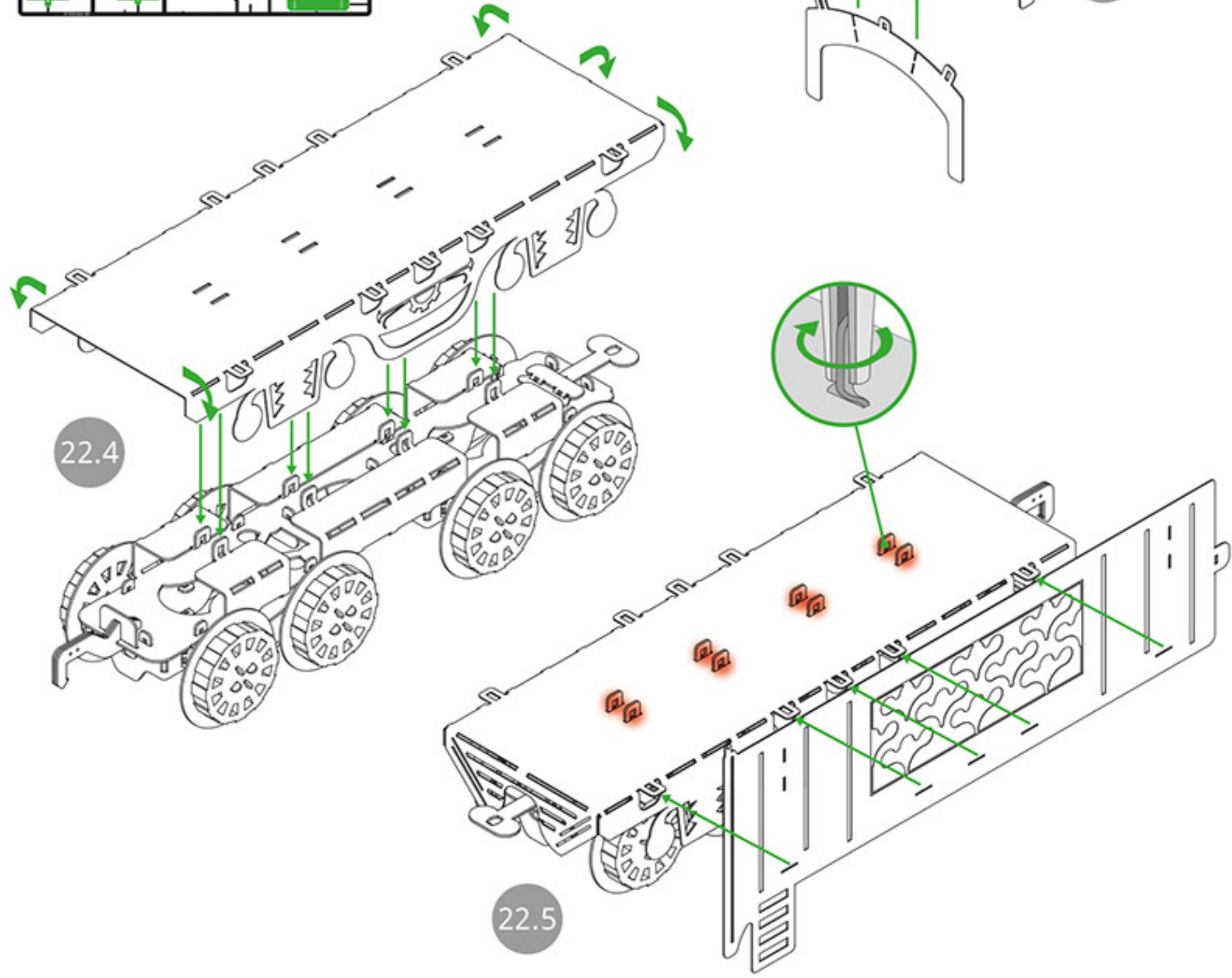
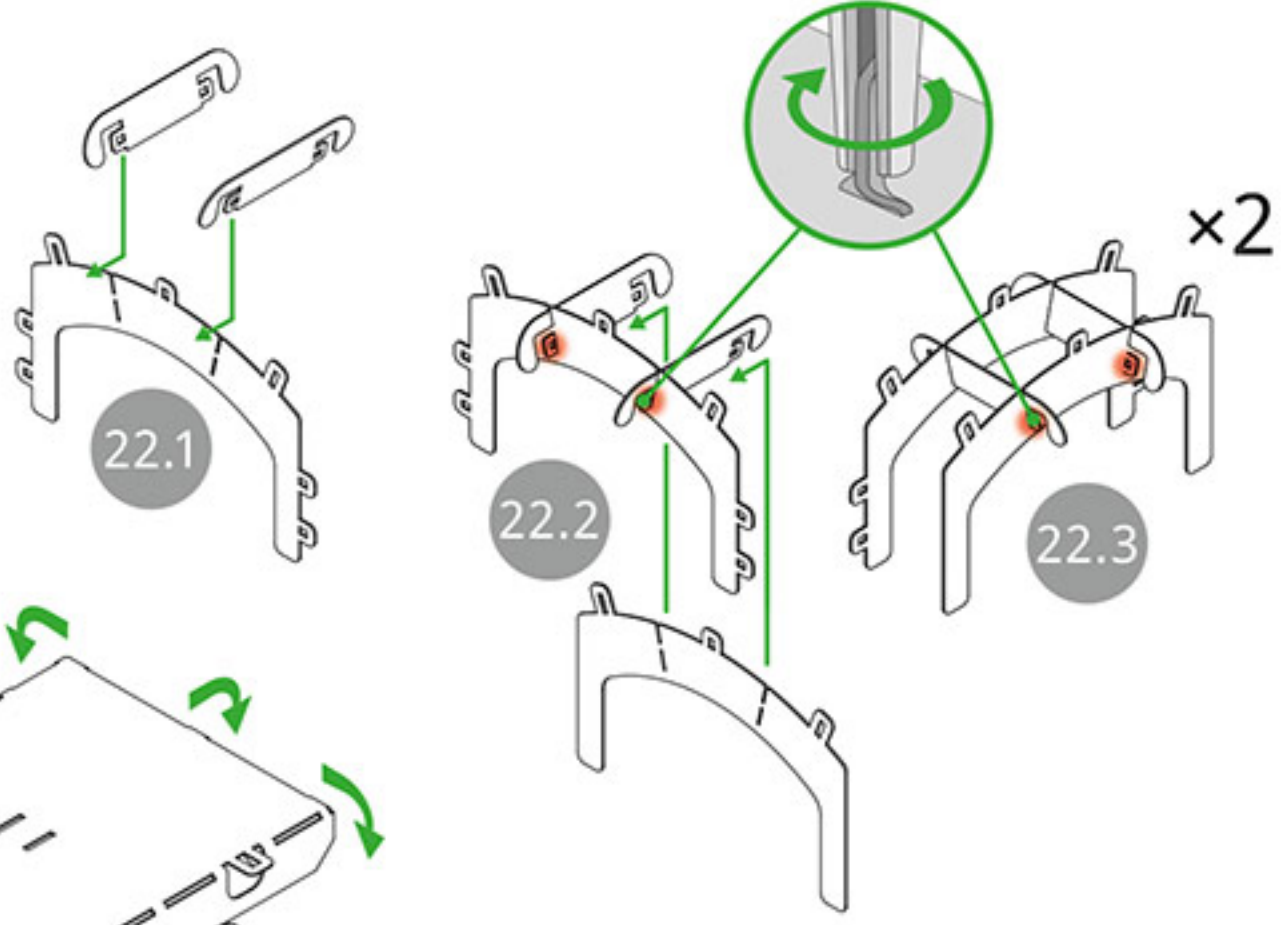
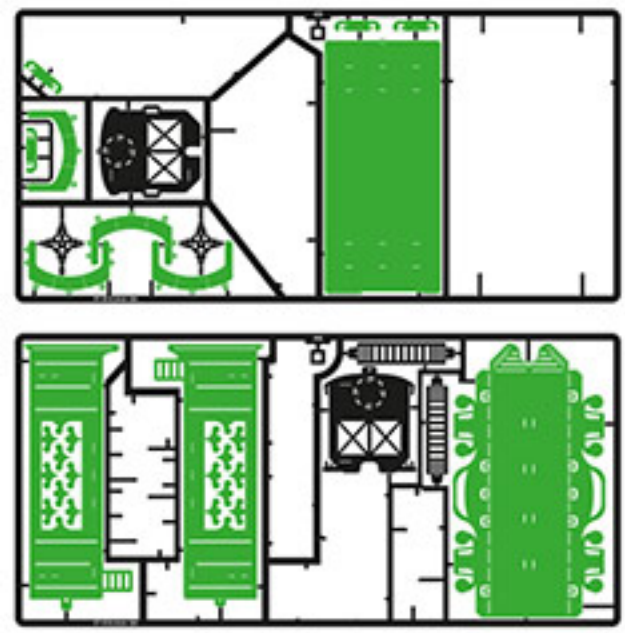
21.6

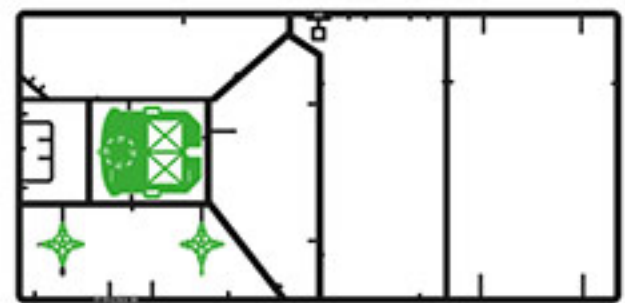


21.7

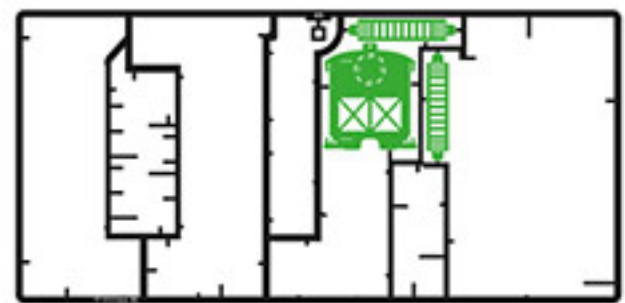
21.8

x4

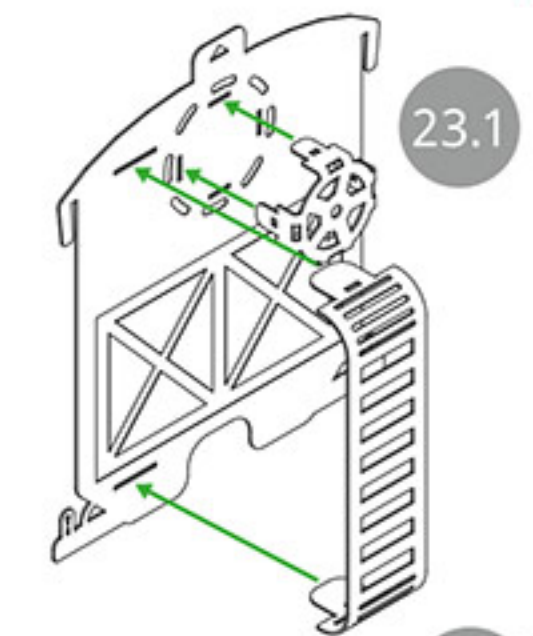
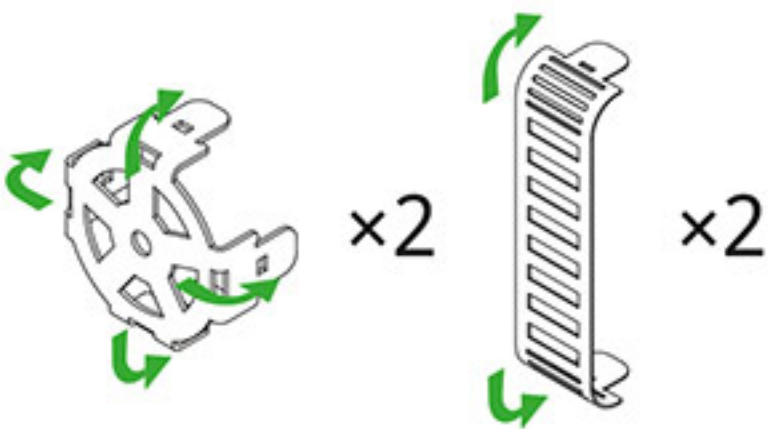




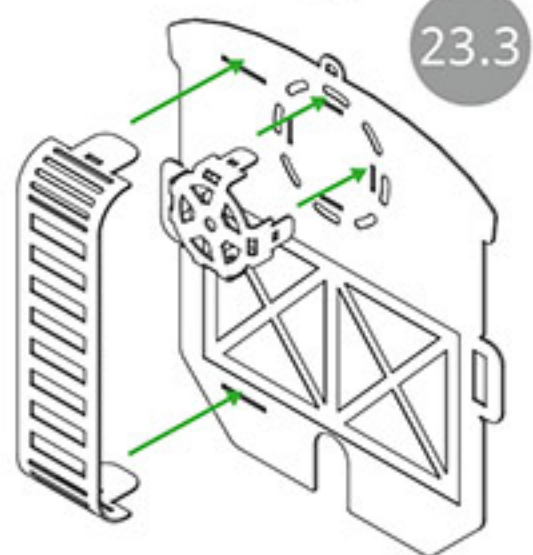
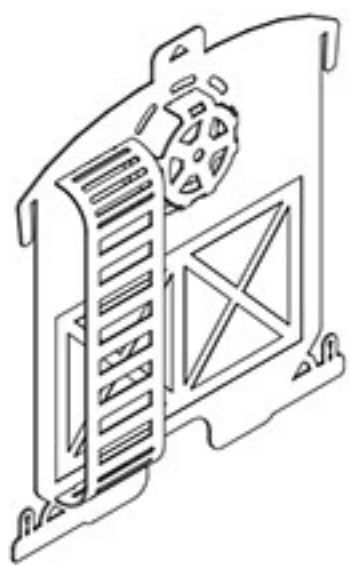
#5



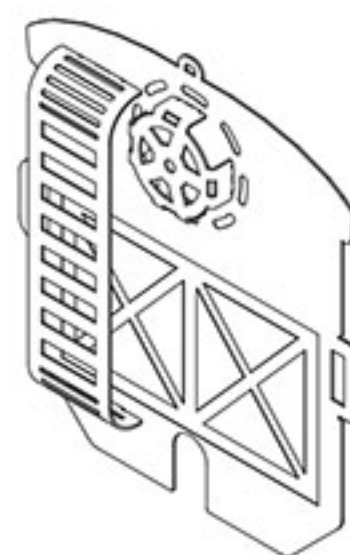
#6



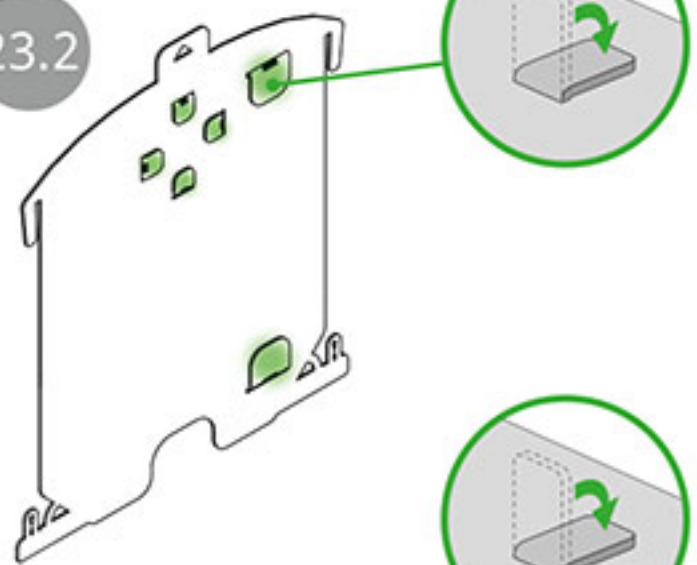
23.1



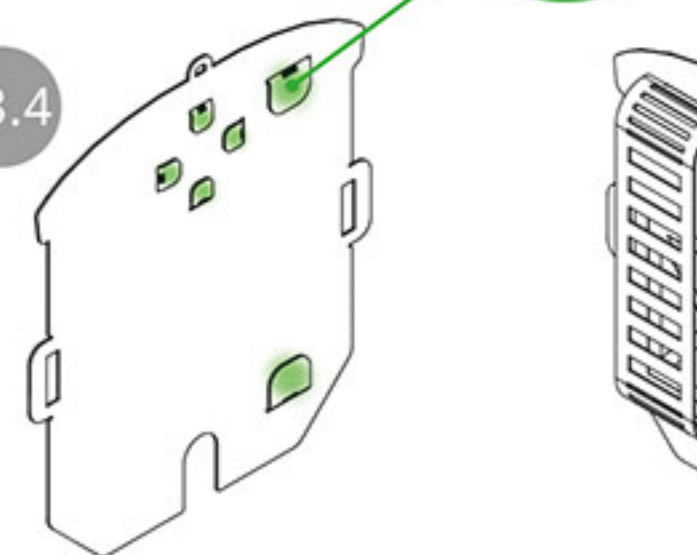
23.3



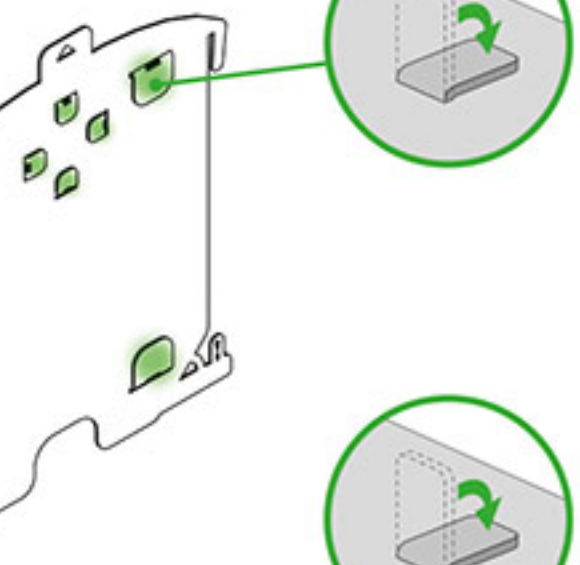
23.4



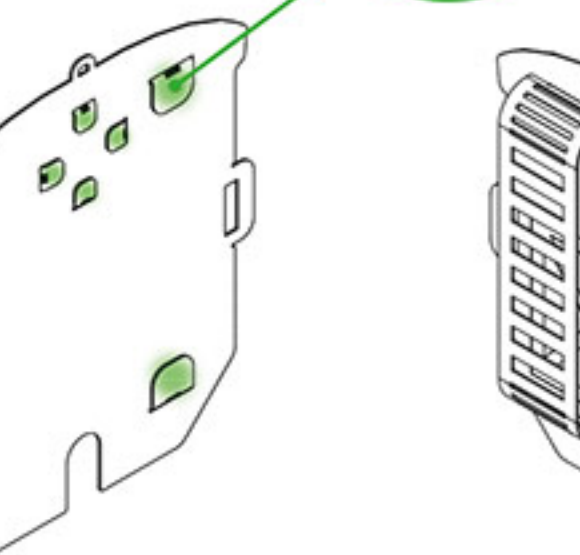
23.2



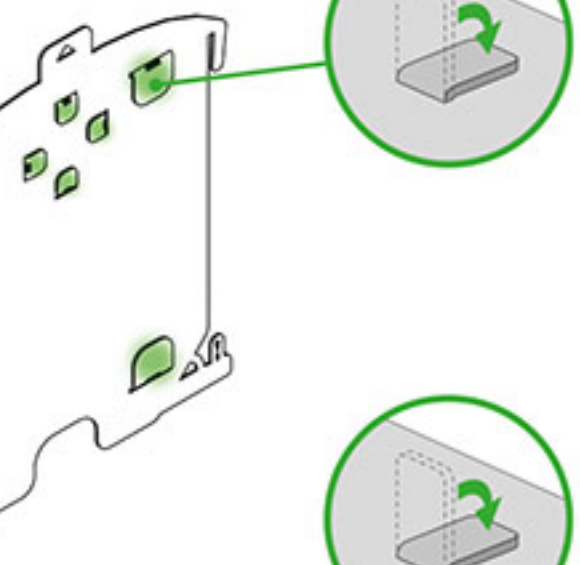
23.4



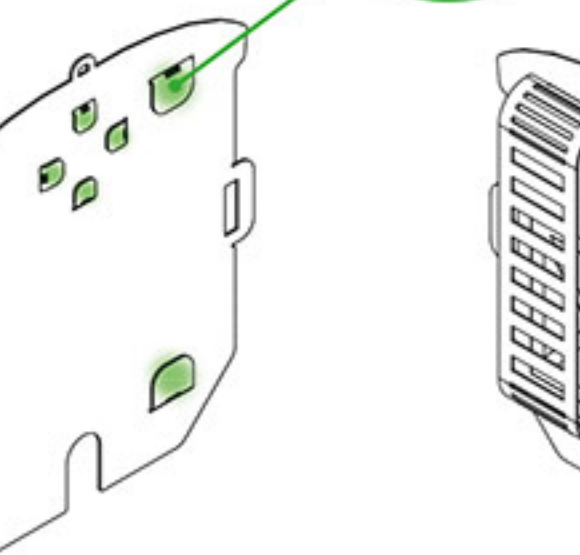
23.2



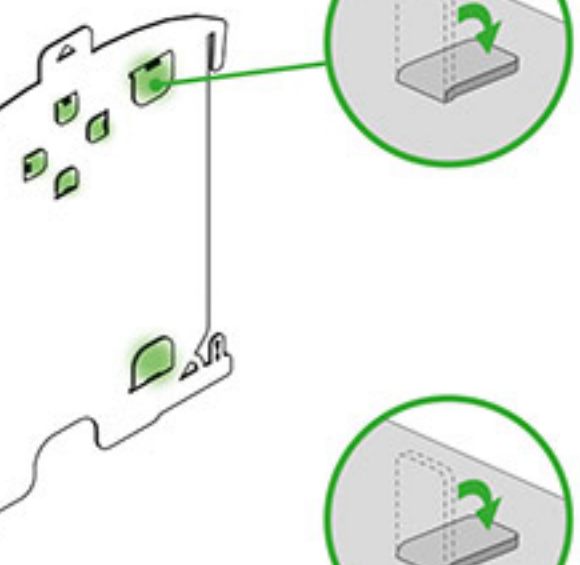
23.4



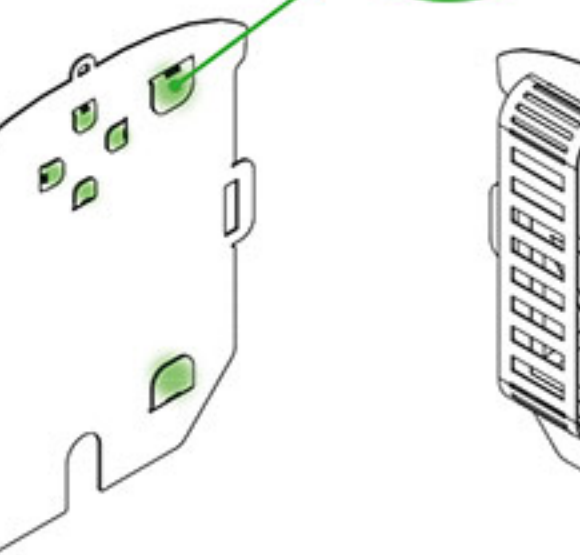
23.2



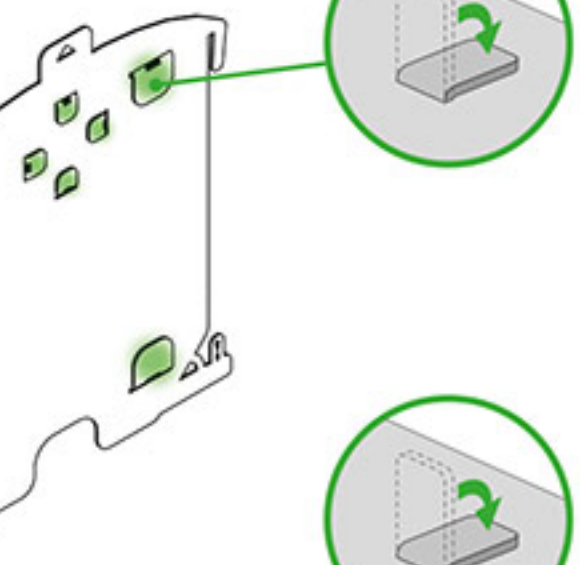
23.4



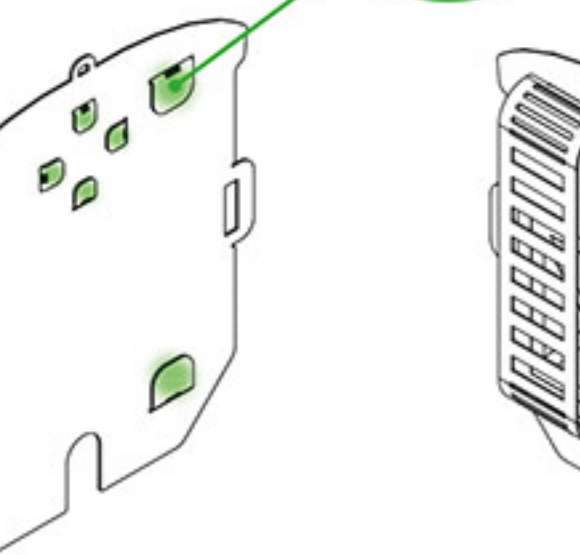
23.2



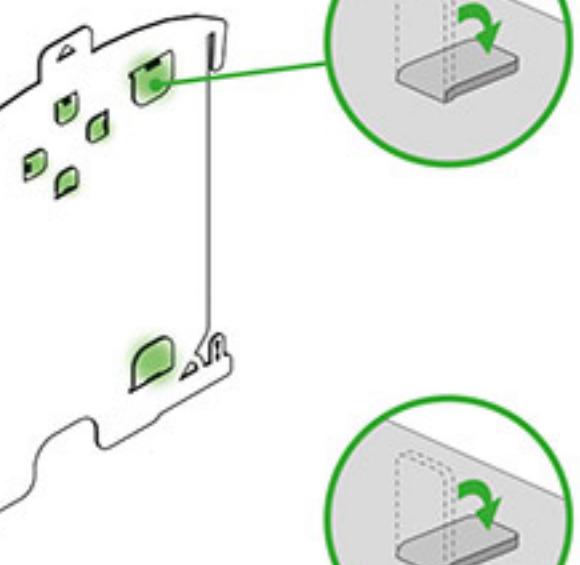
23.4



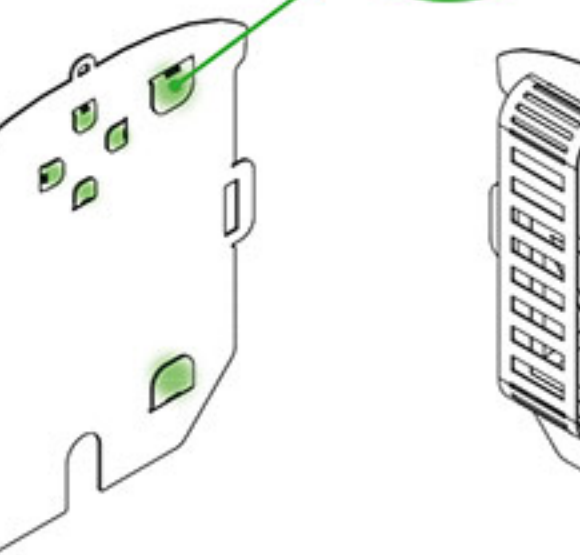
23.2



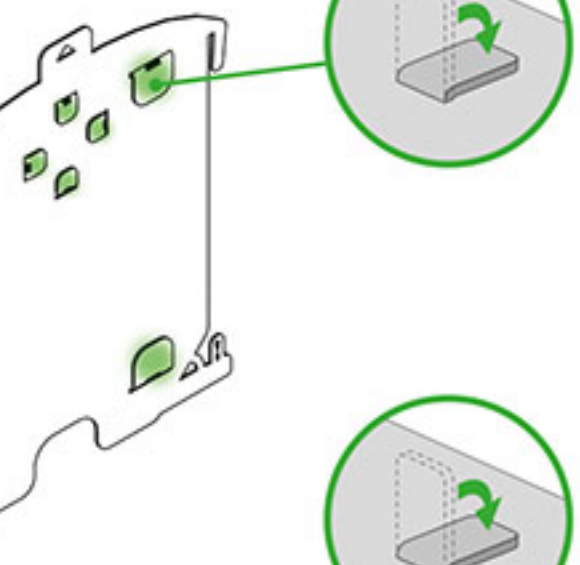
23.4



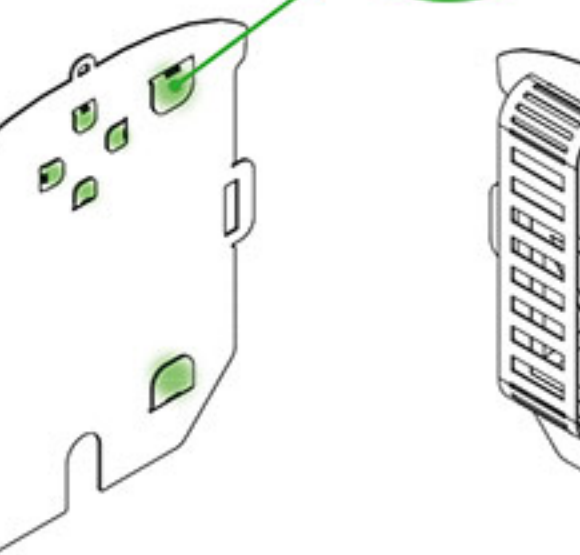
23.2



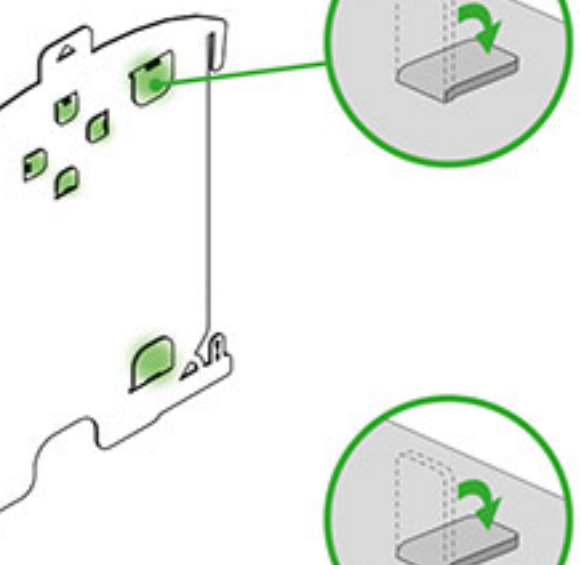
23.4



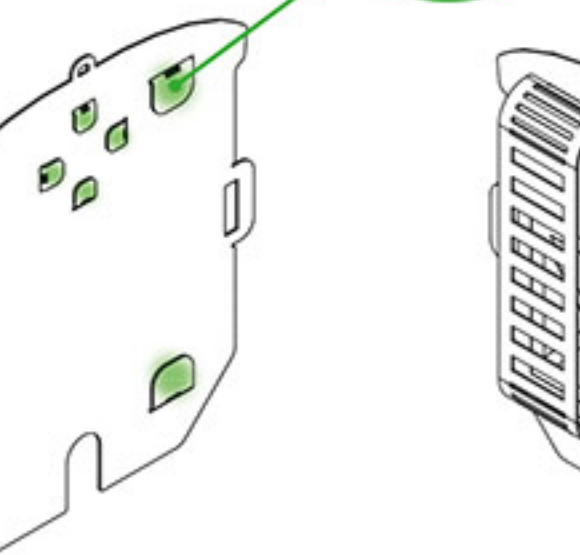
23.2



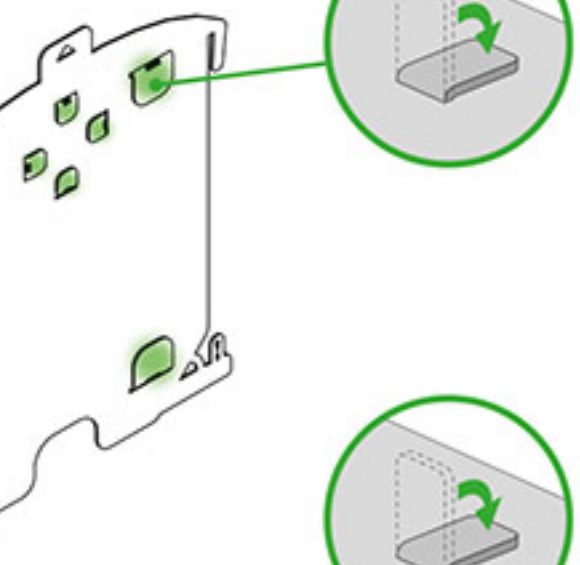
23.4



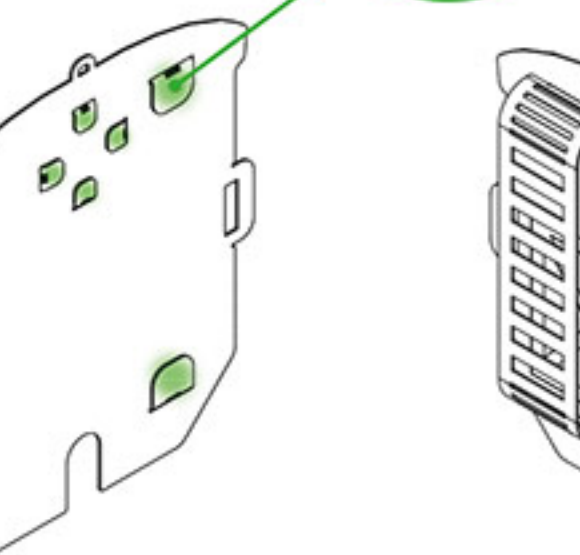
23.2



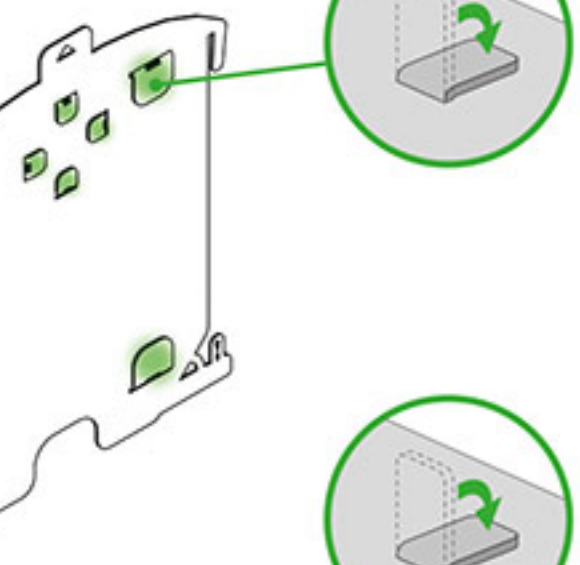
23.4



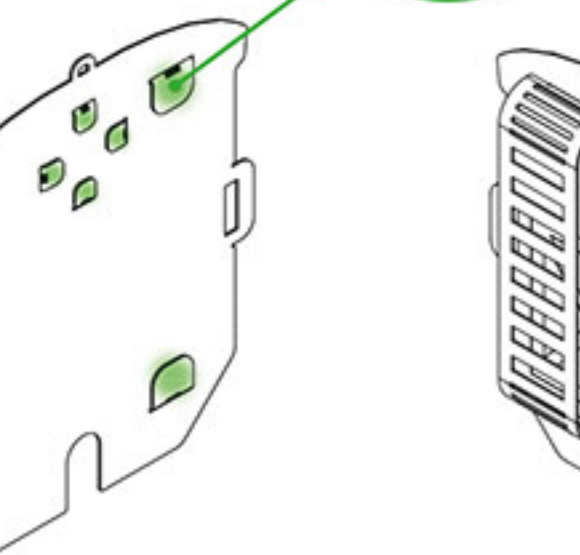
23.2



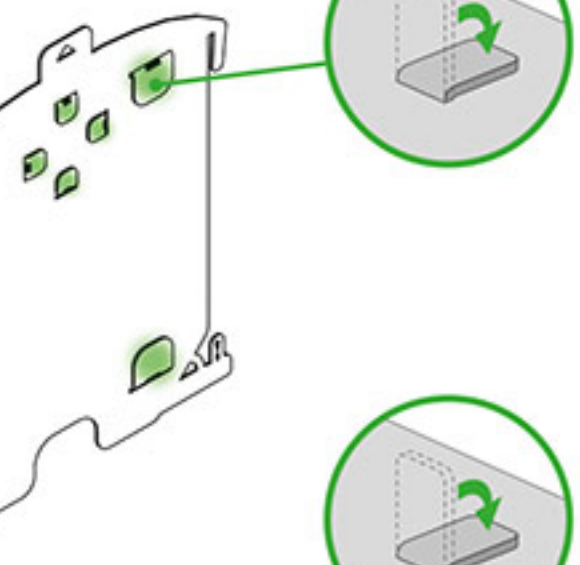
23.4



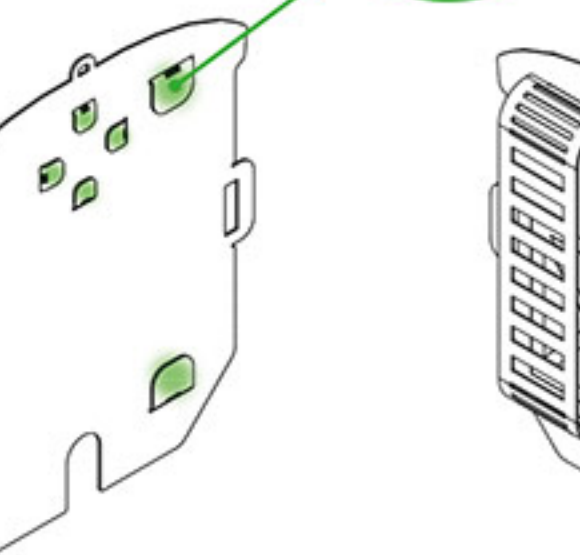
23.2



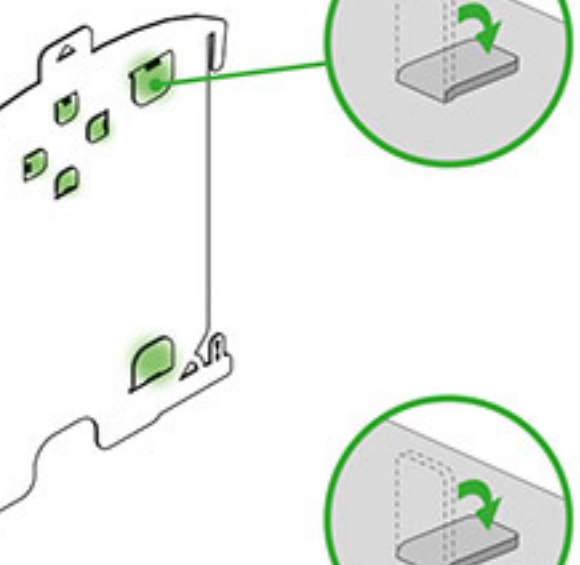
23.4



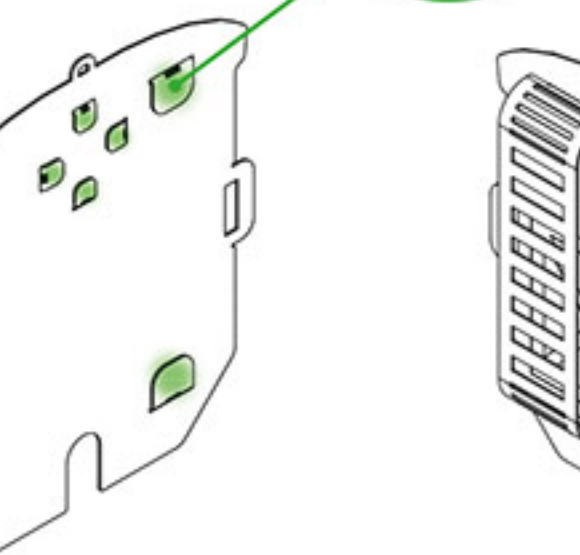
23.2



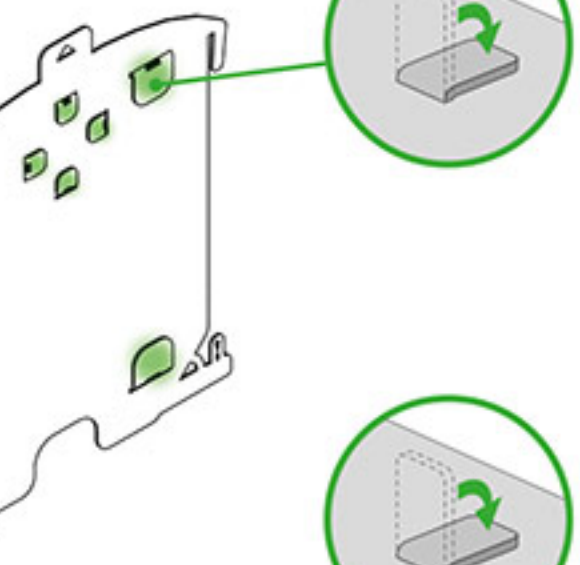
23.4



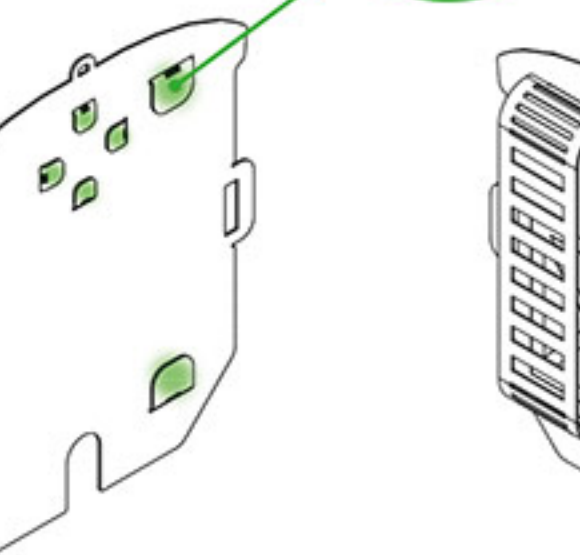
23.2



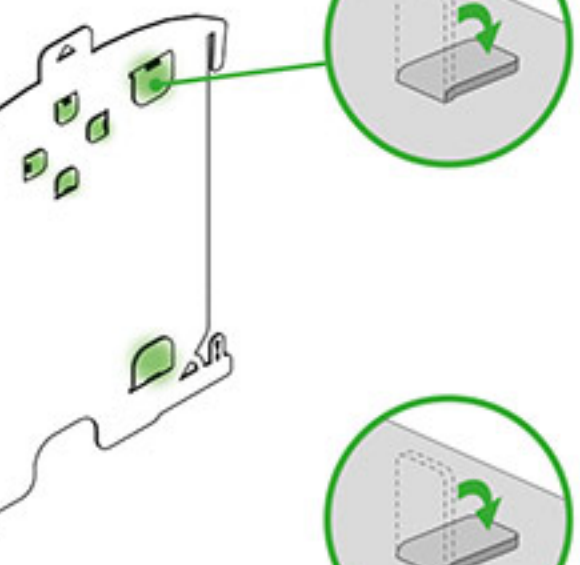
23.4



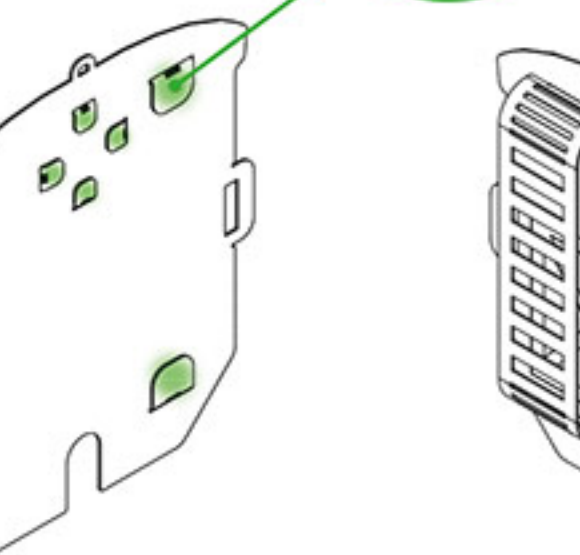
23.2



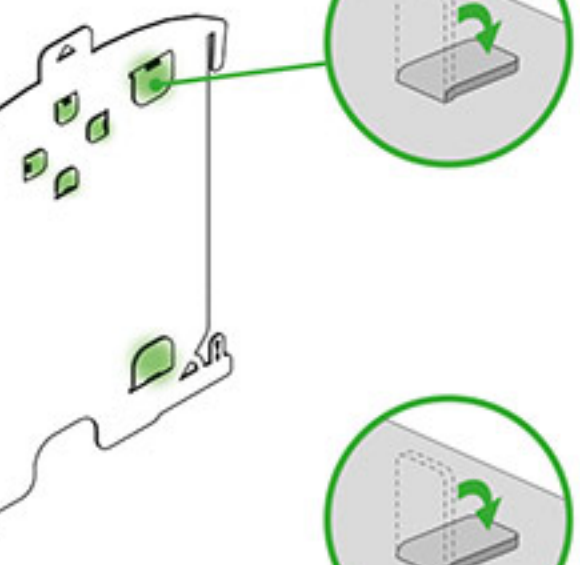
23.4



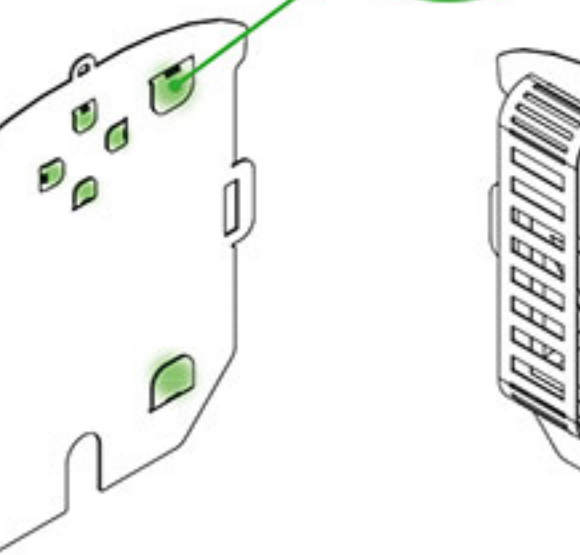
23.2



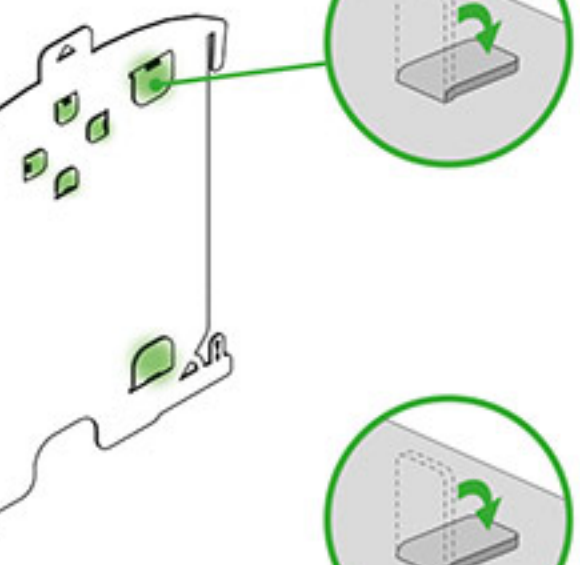
23.4



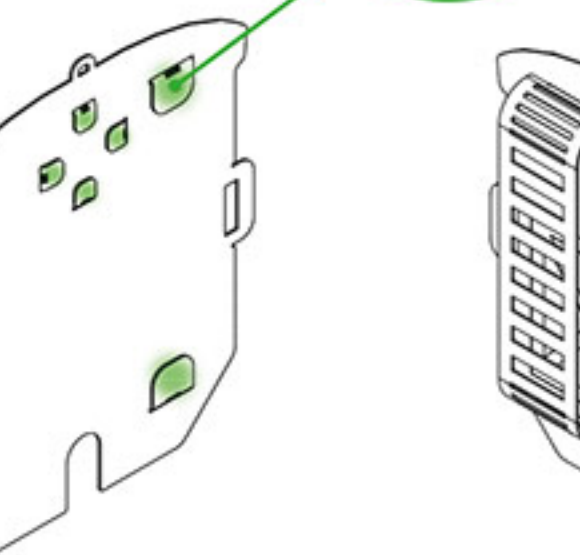
23.2



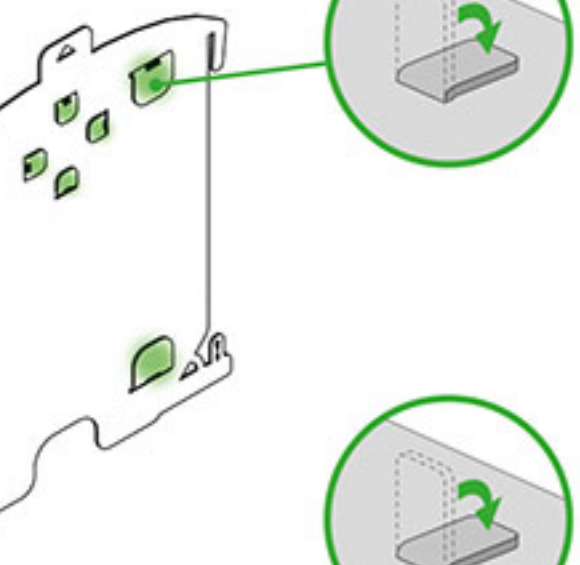
23.4



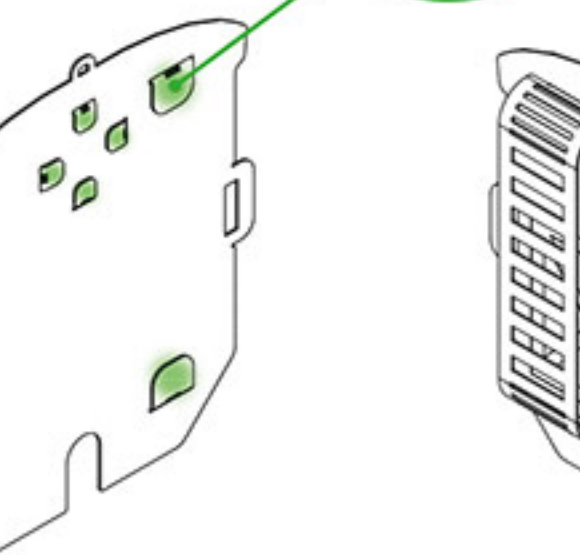
23.2



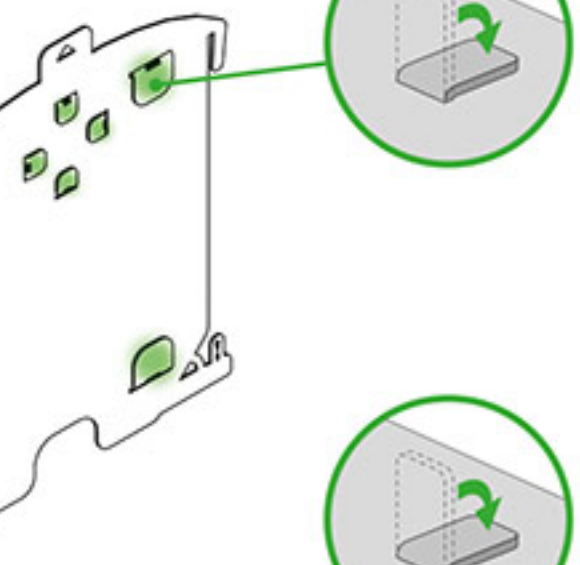
23.4



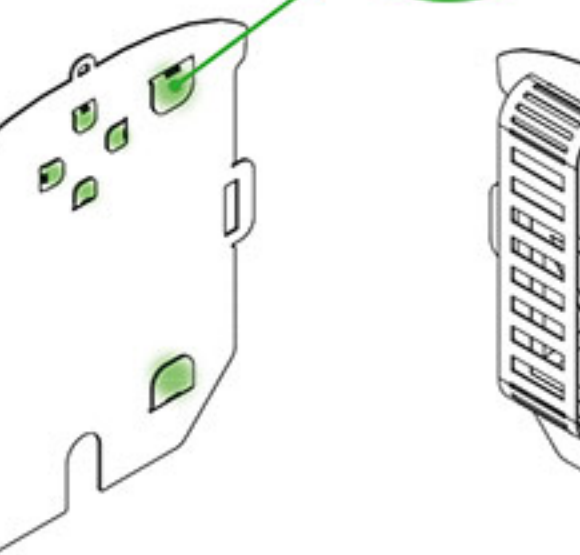
23.2



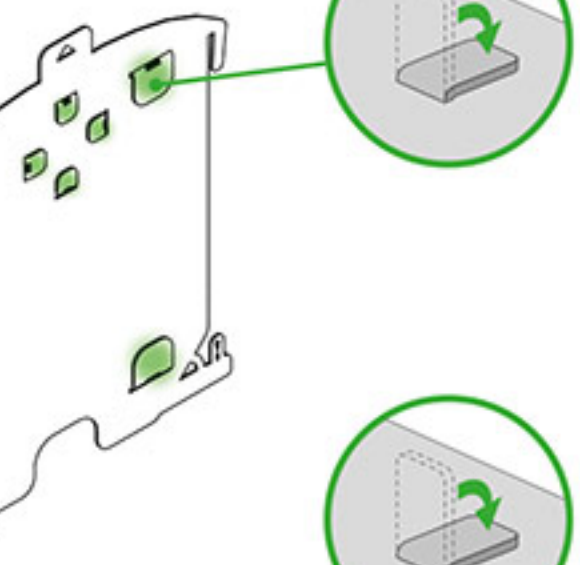
23.4



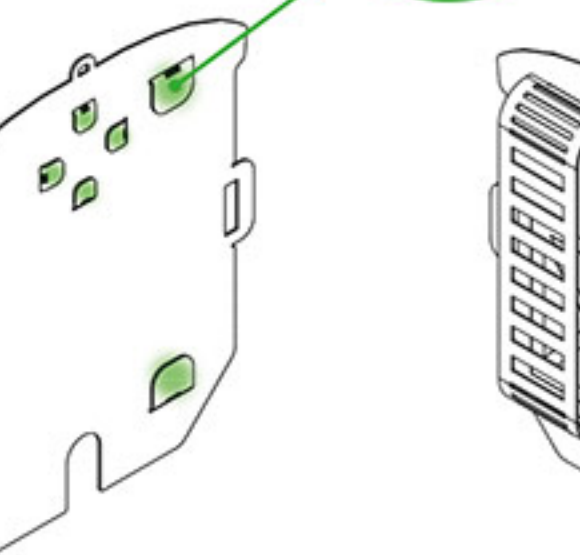
23.2



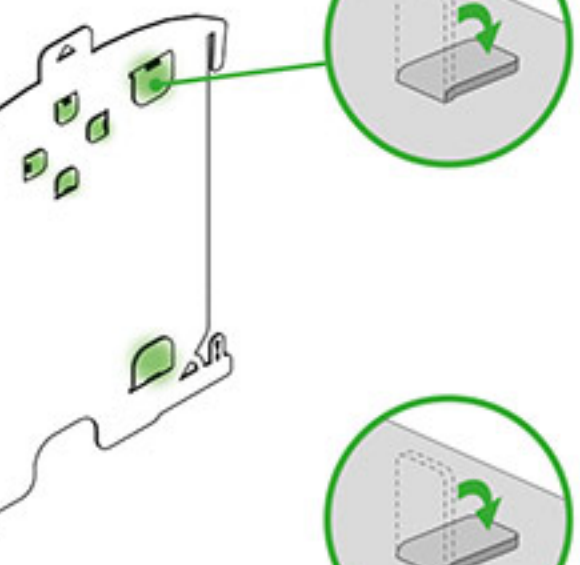
23.4



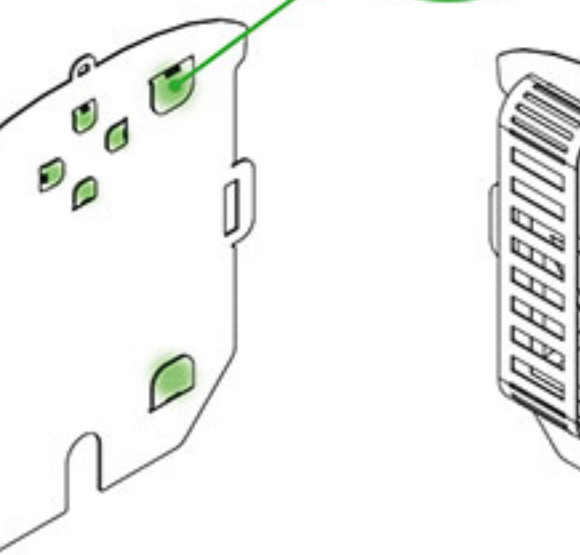
23.2



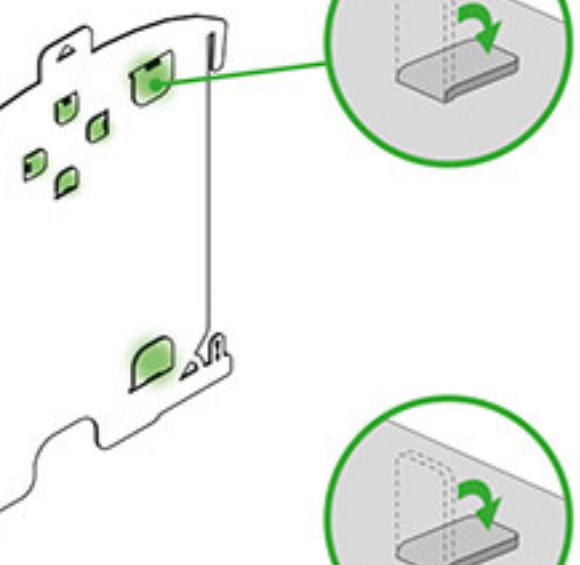
23.4



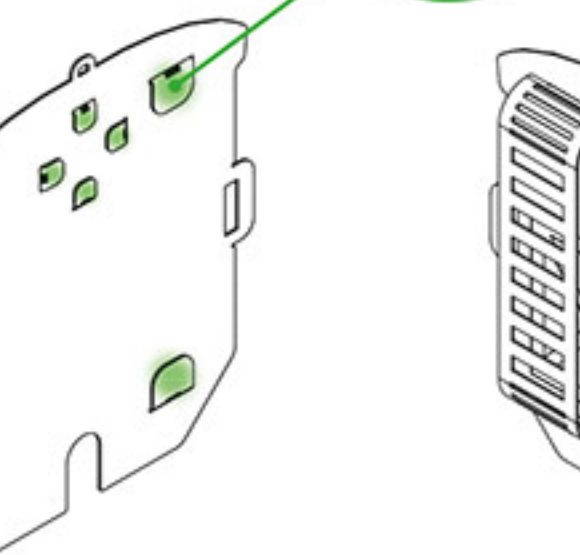
23.2



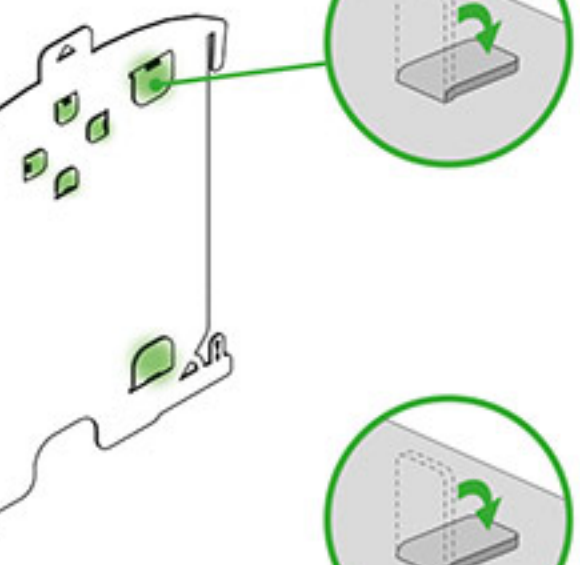
23.4



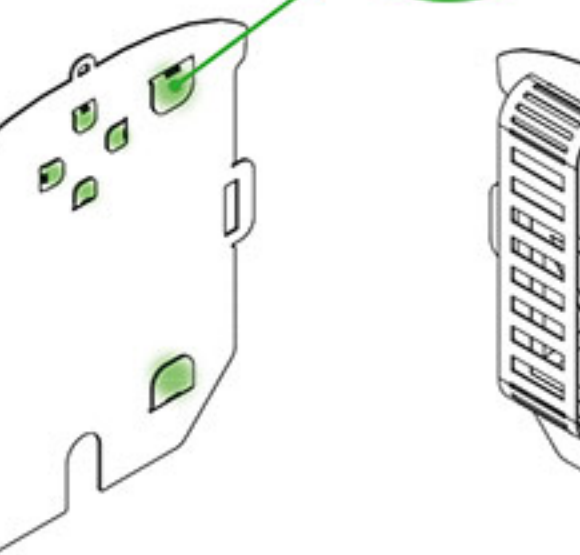
23.2



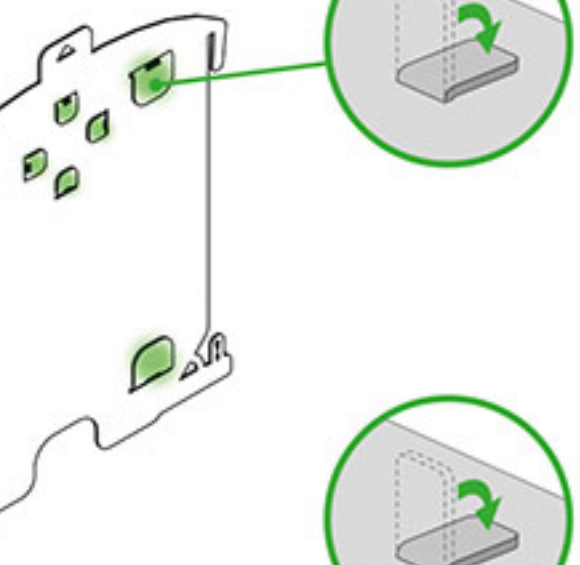
23.4



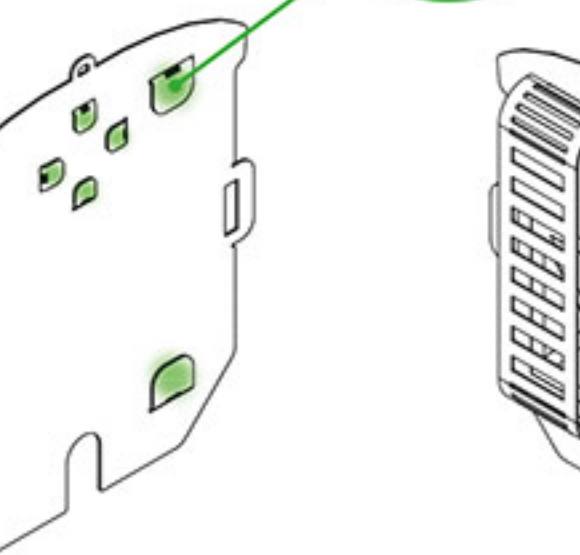
23.2



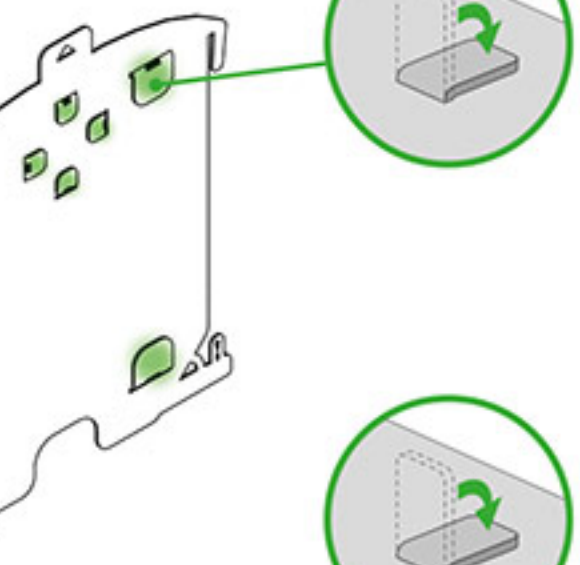
23.4



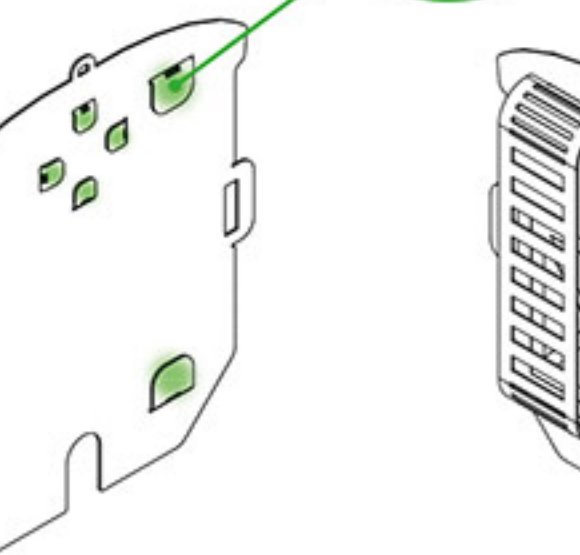
23.2



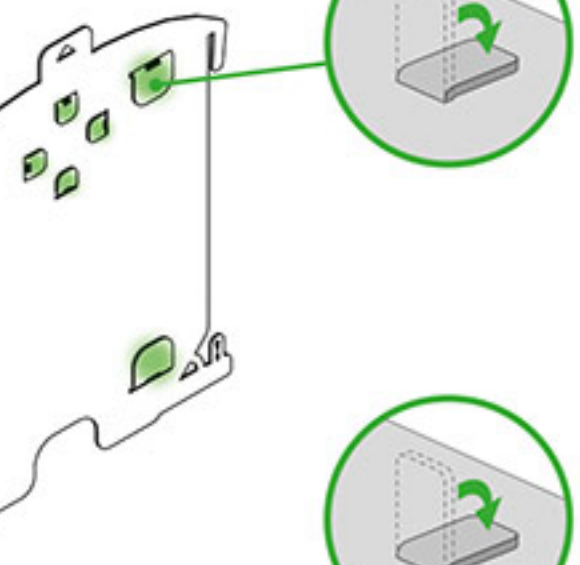
23.4



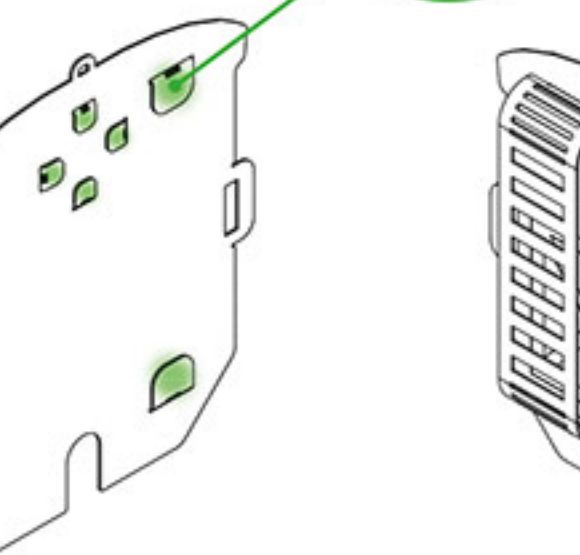
23.2



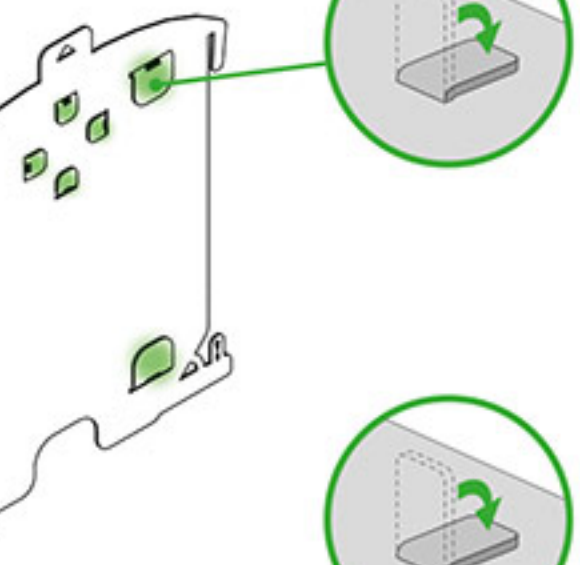
23.4



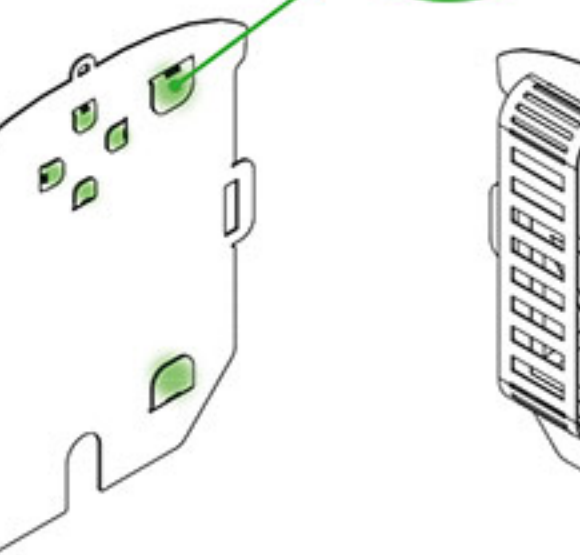
23.2



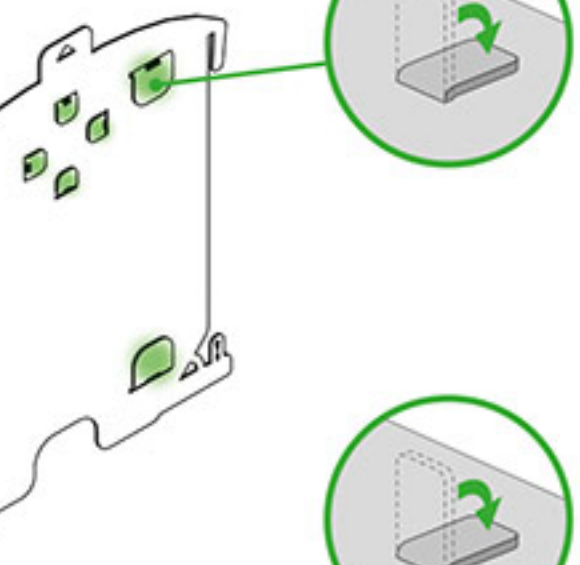
23.4



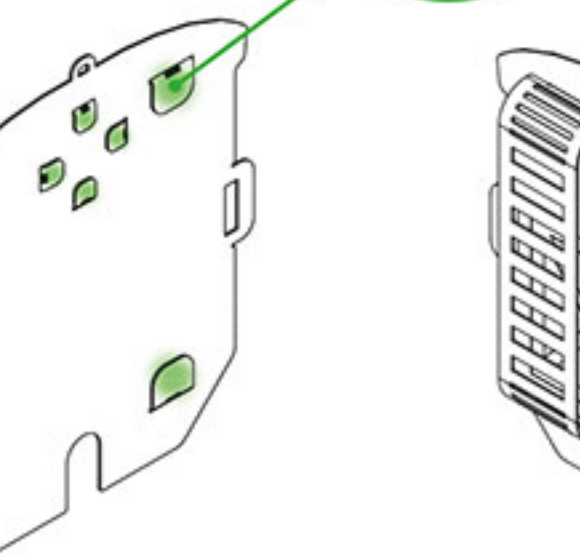
23.2



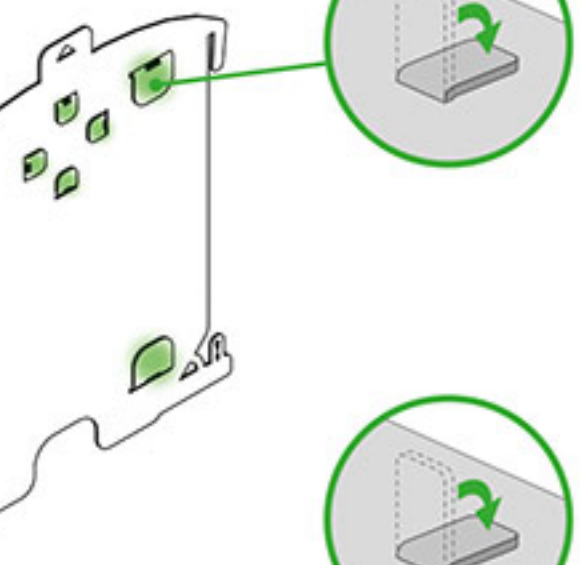
23.4



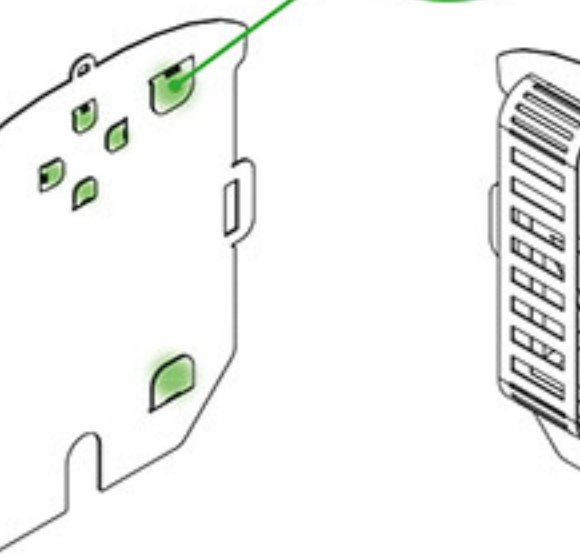
23.2



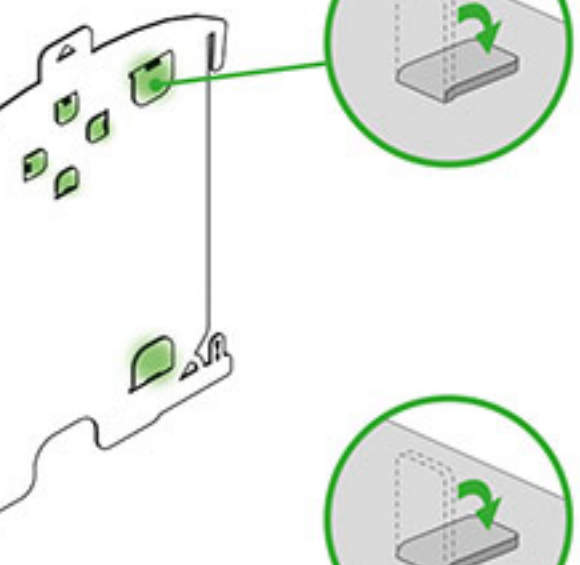
23.4



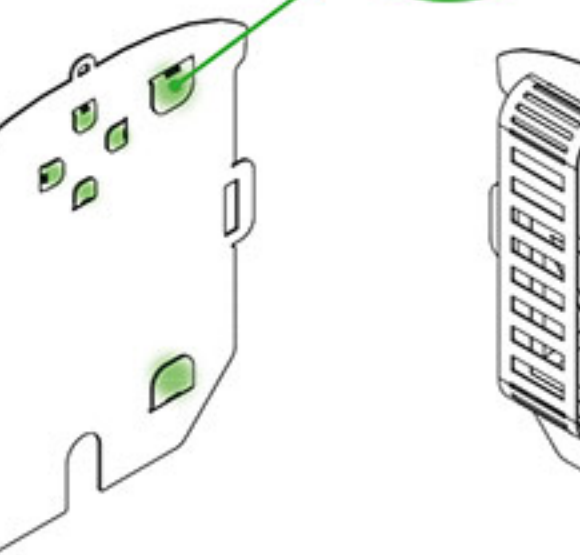
23.2



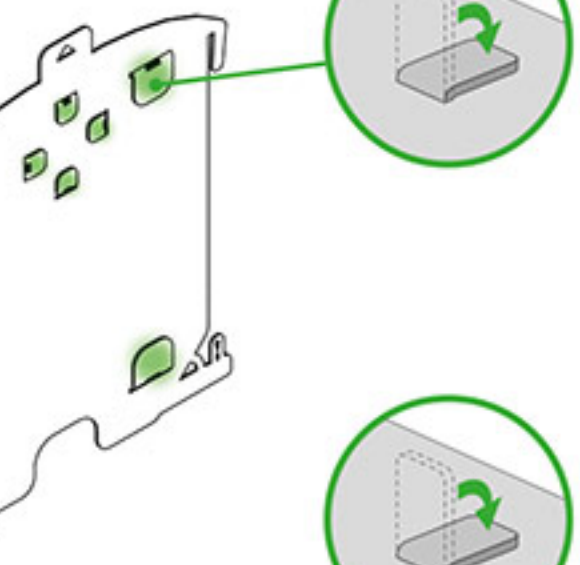
23.4



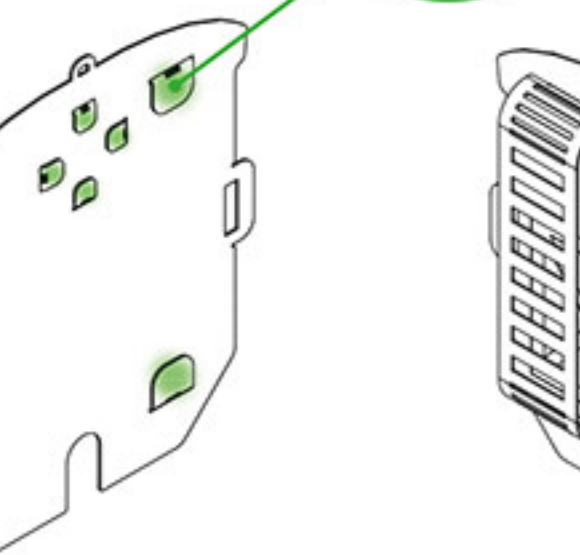
23.2



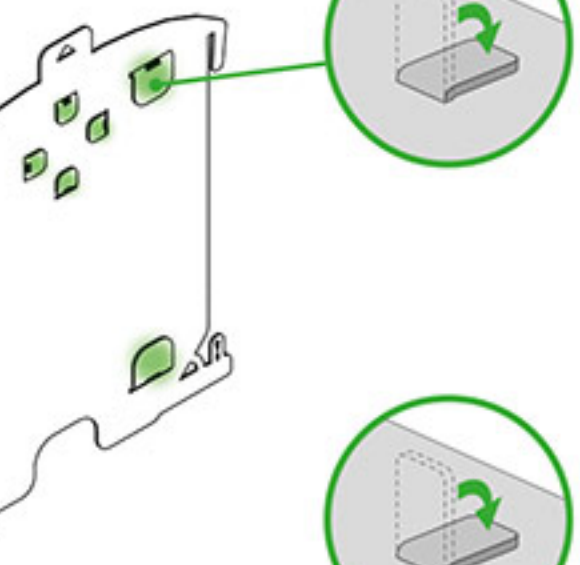
23.4



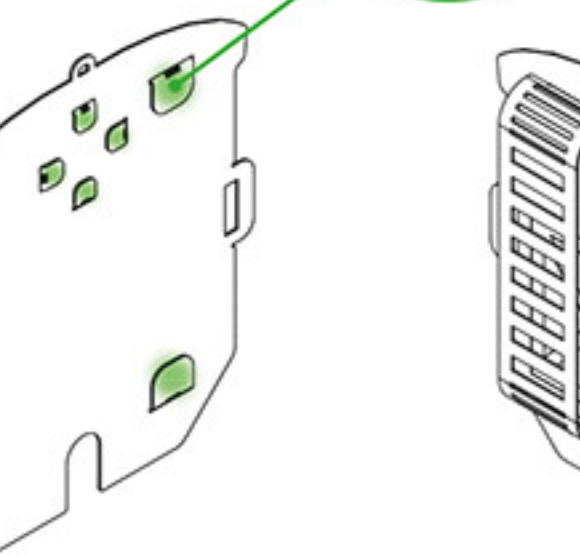
23.2



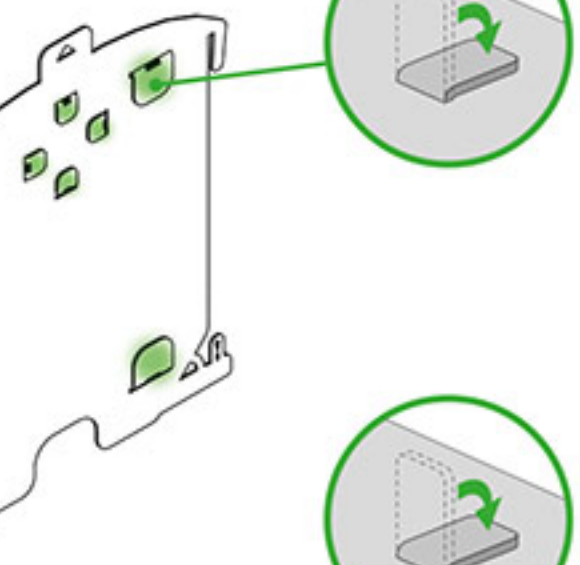
23.4



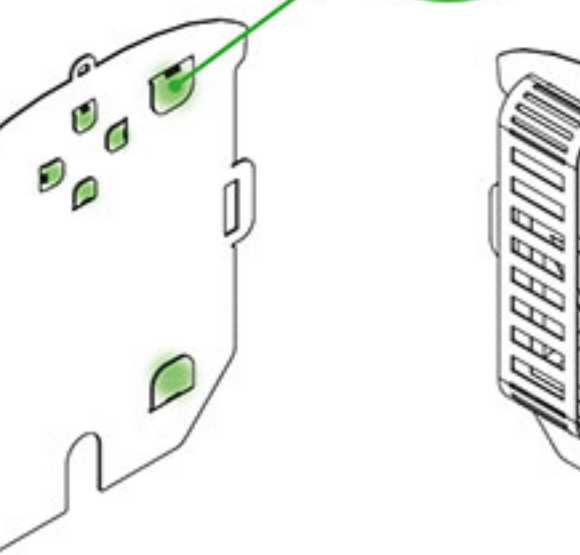
23.2



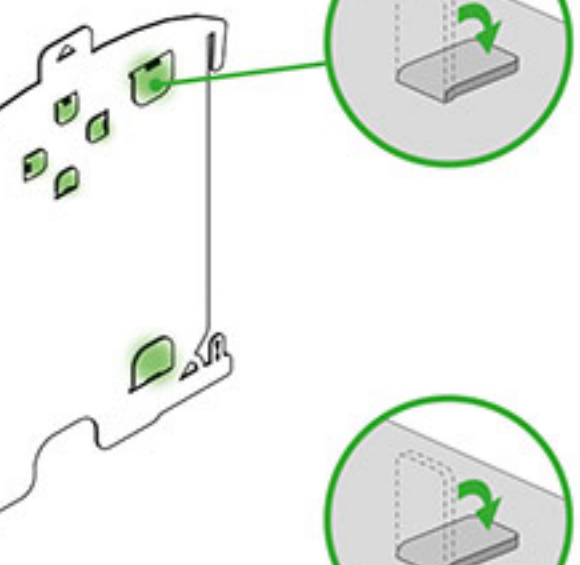
23.4



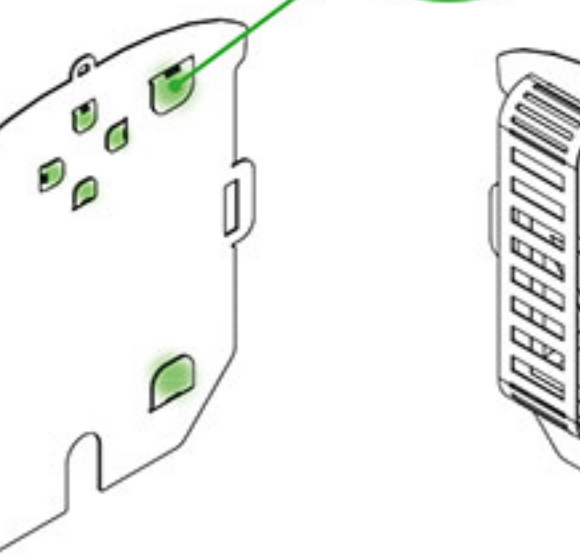
23.2



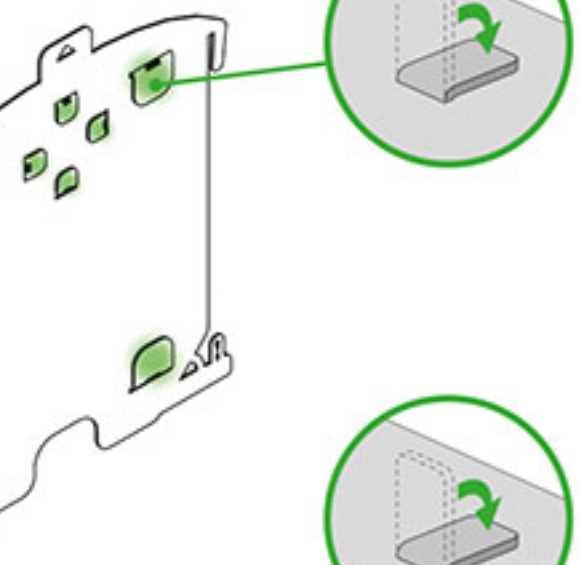
23.4



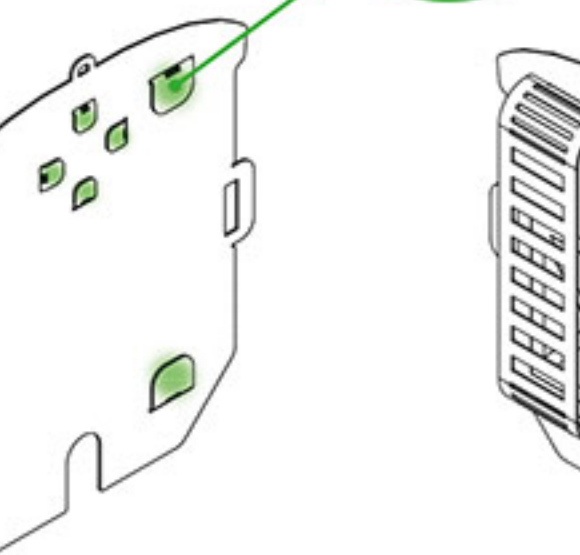
23.2



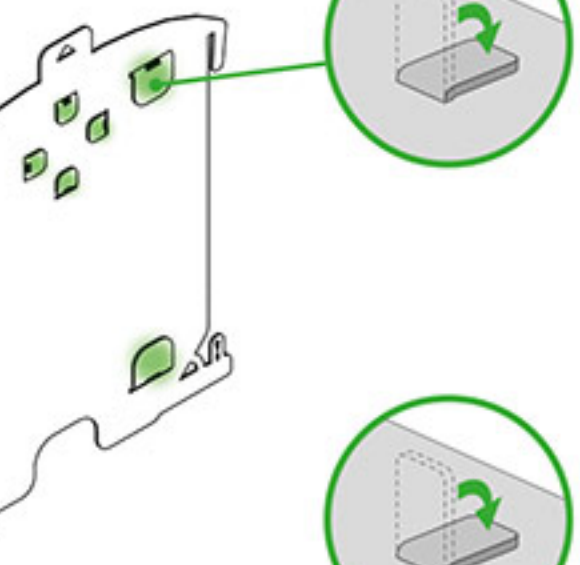
23.4



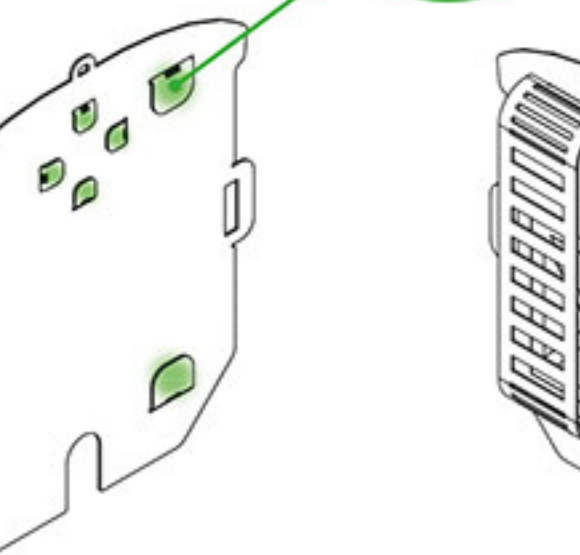
23.2



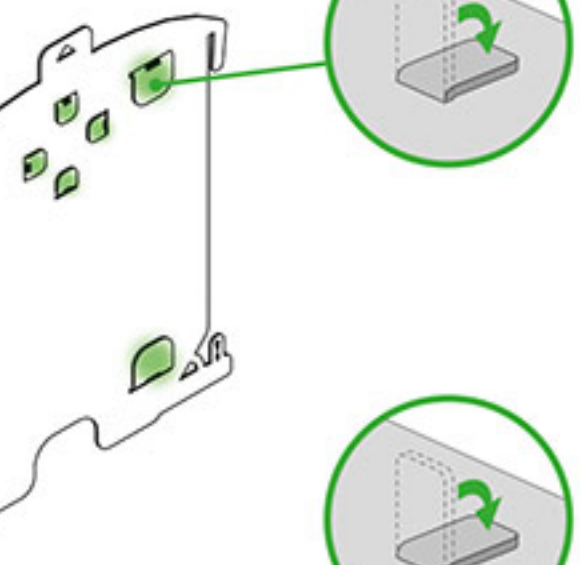
23.4



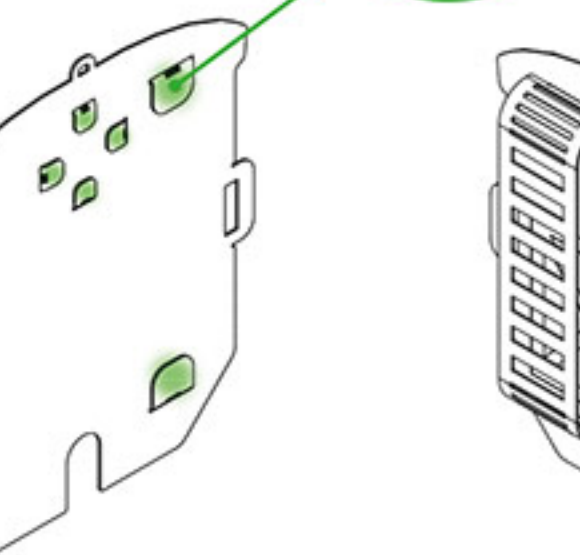
23.2



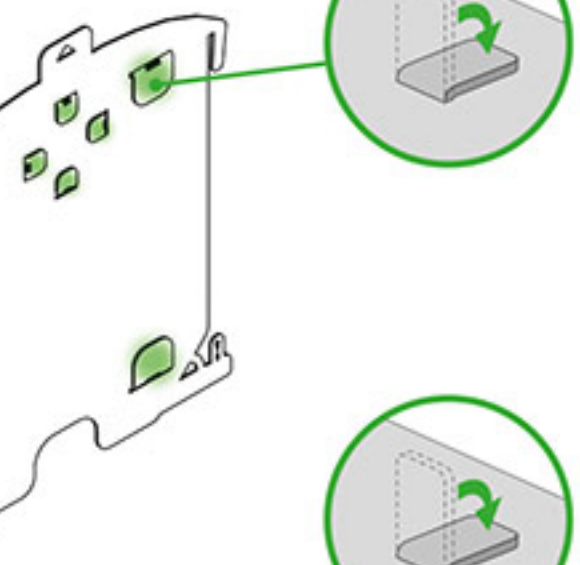
23.4



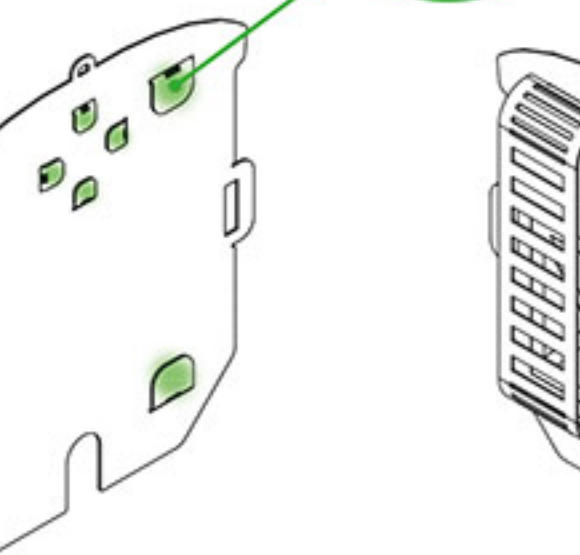
23.2



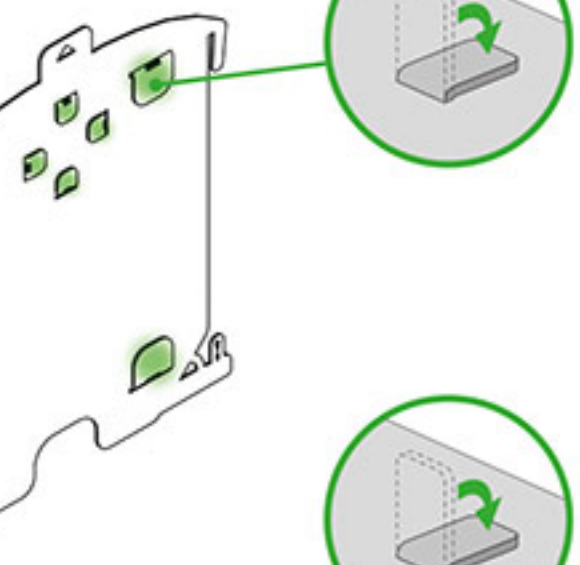
23.4



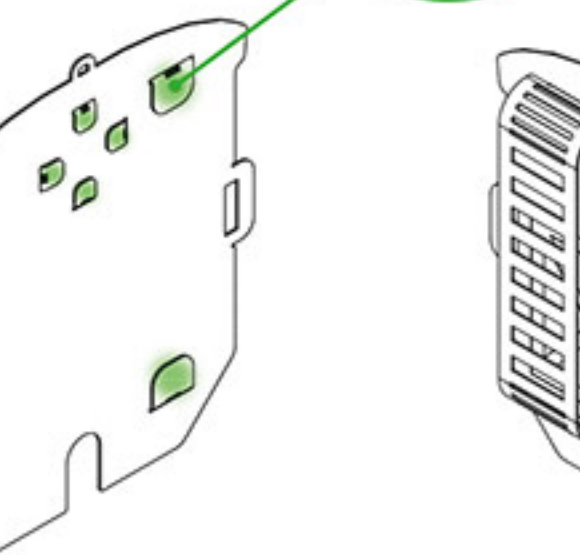
23.2



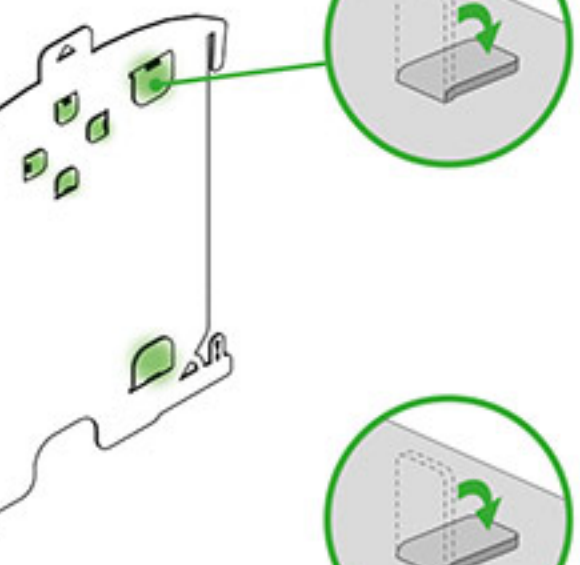
23.4



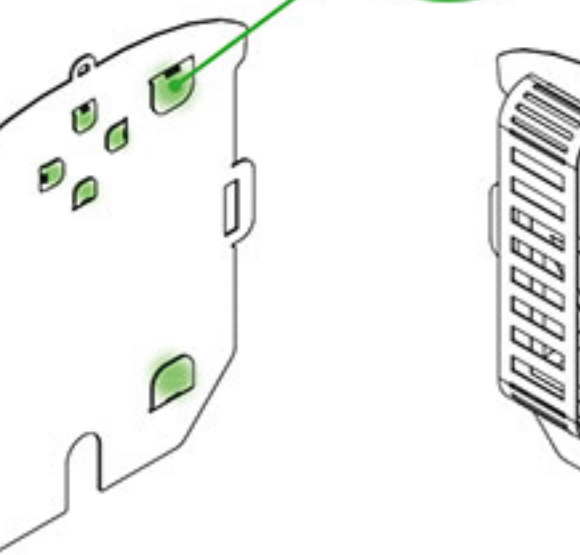
23.2



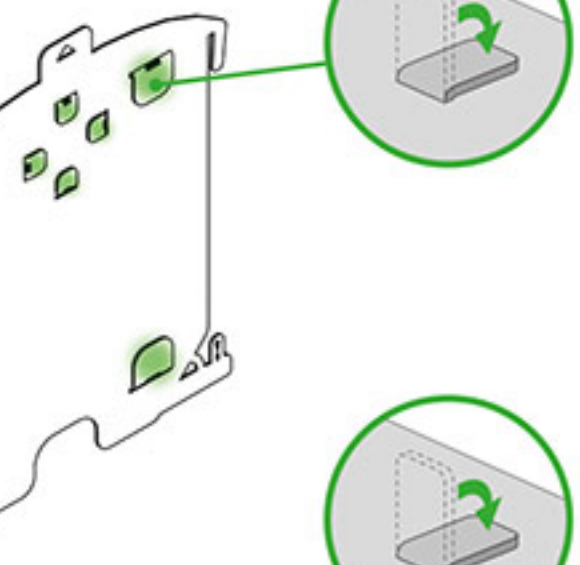
23.4



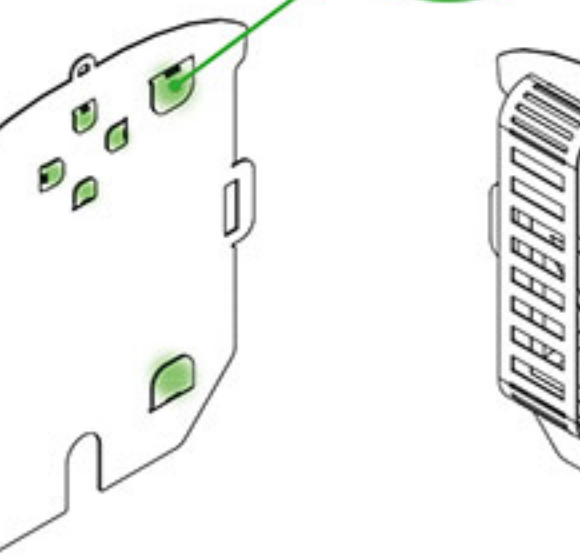
23.2



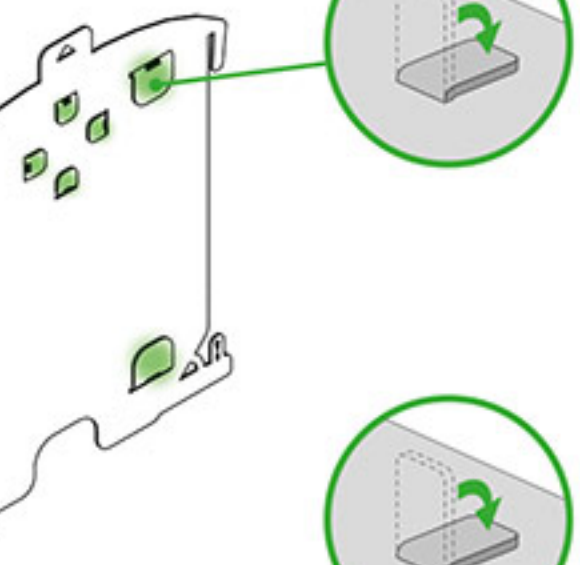
23.4



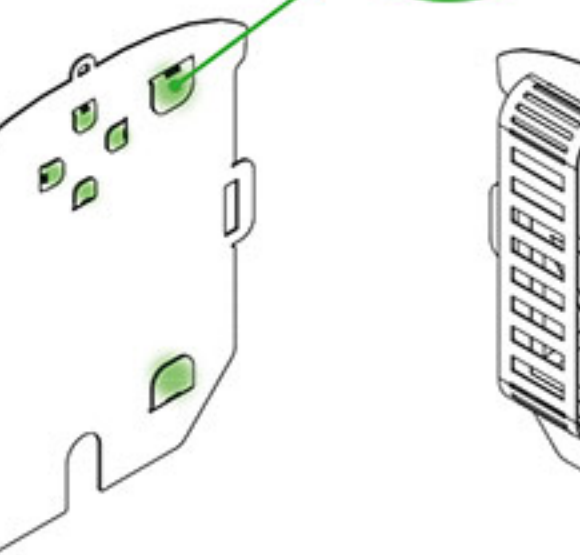
23.2



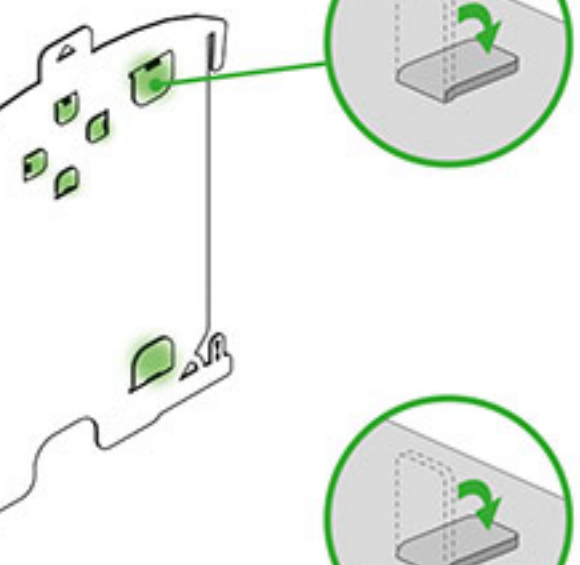
23.4



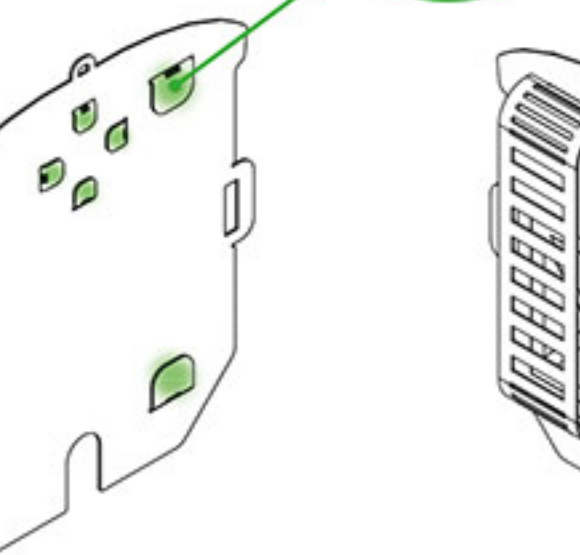
23.2



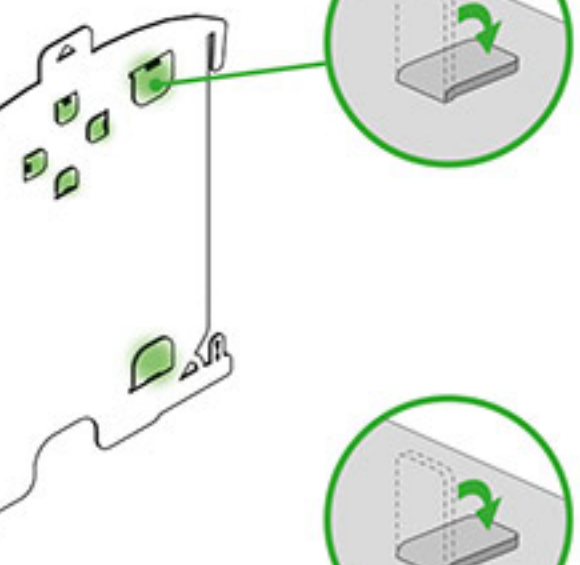
23.4



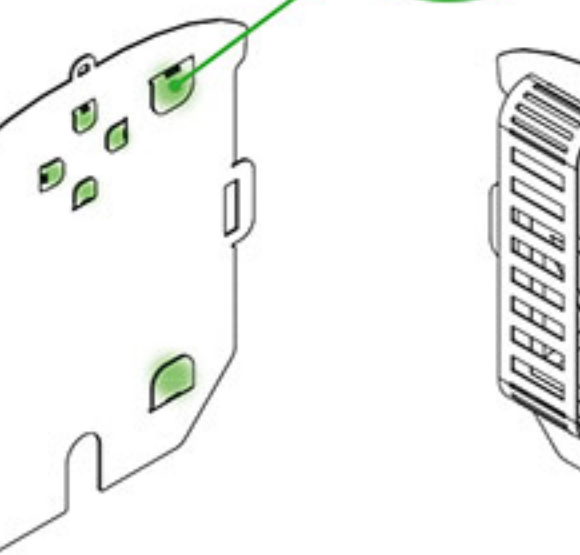
23.2



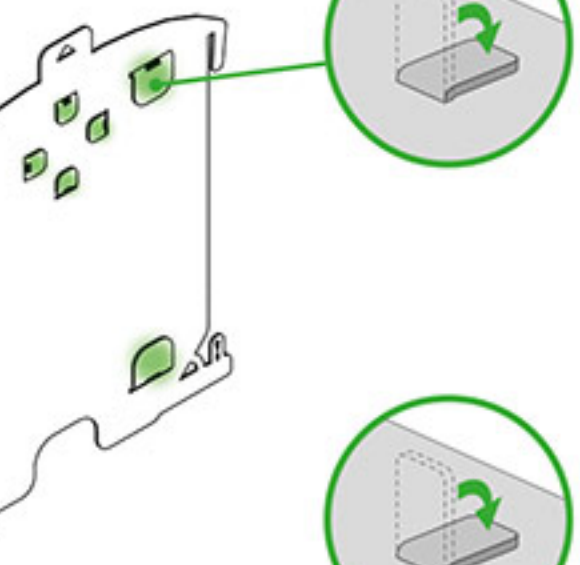
23.4



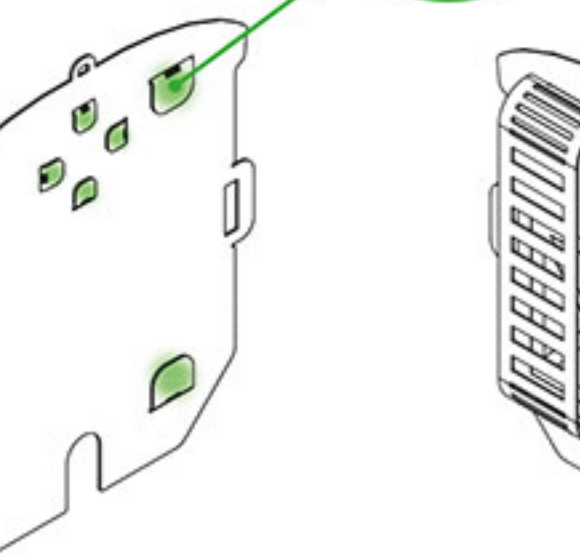
23.2



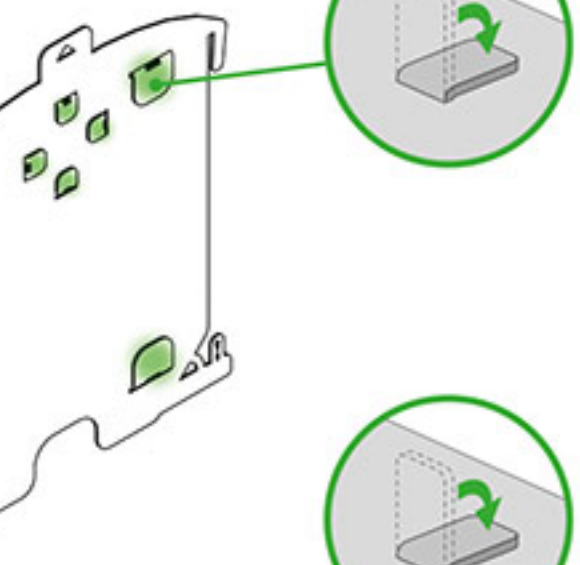
23.4



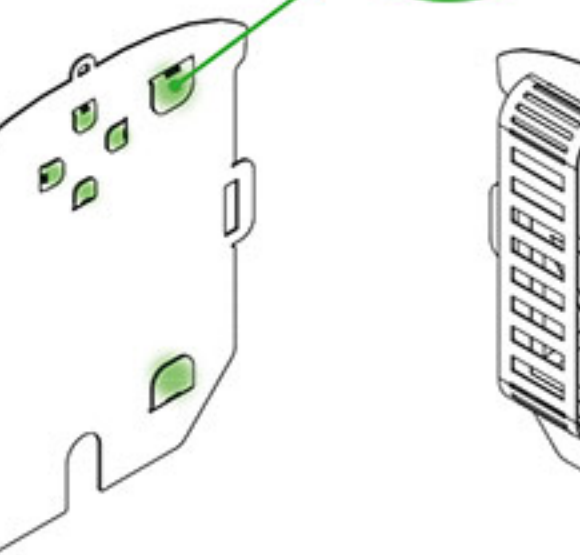
23.2



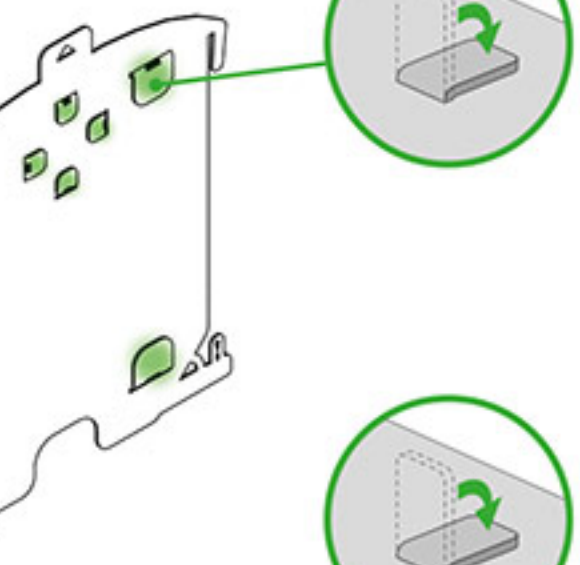
23.4



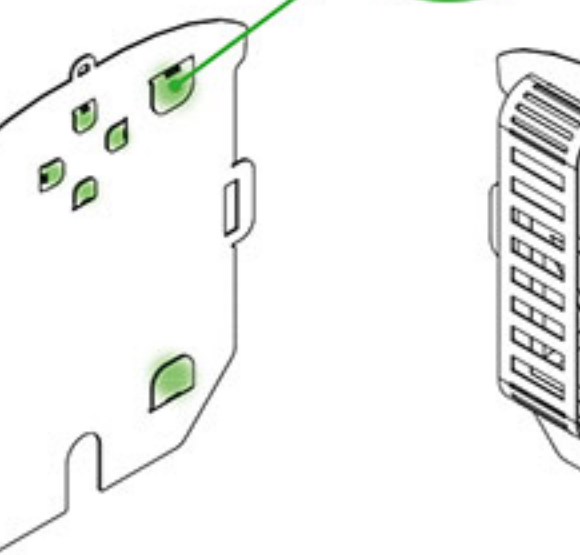
23.2



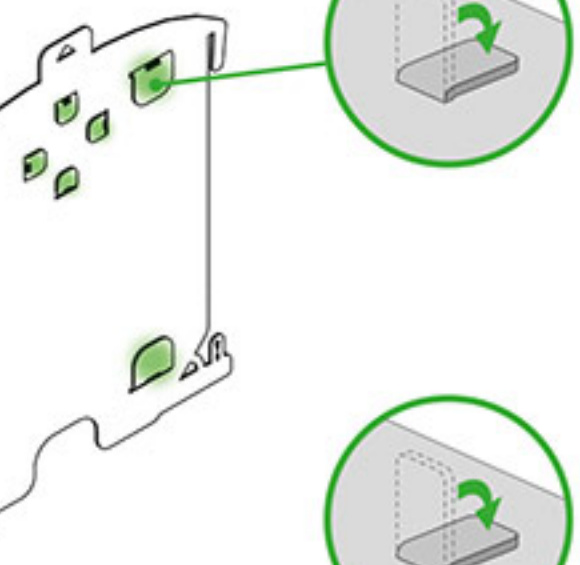
23.4



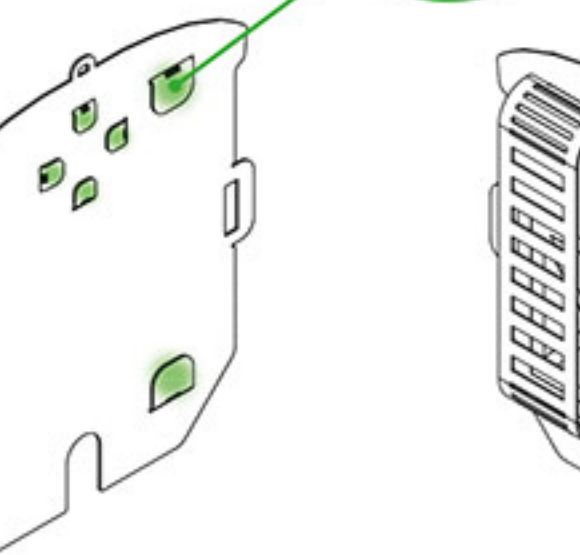
23.2



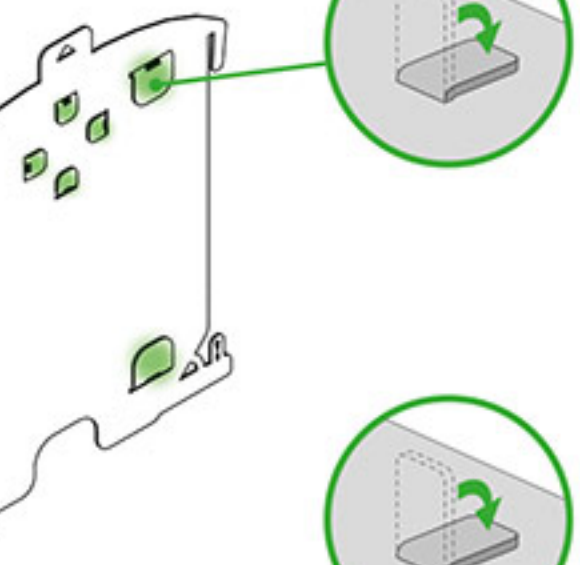
23.4



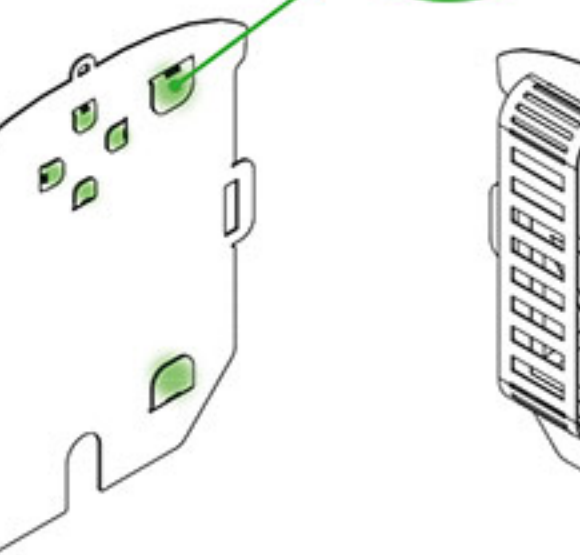
23.2



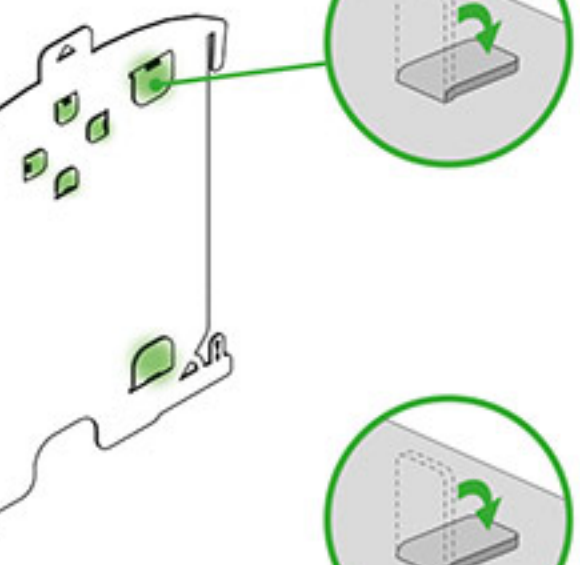
23.4



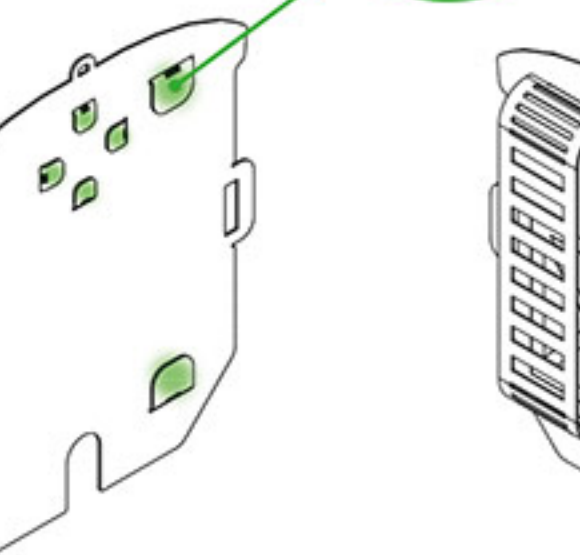
23.2



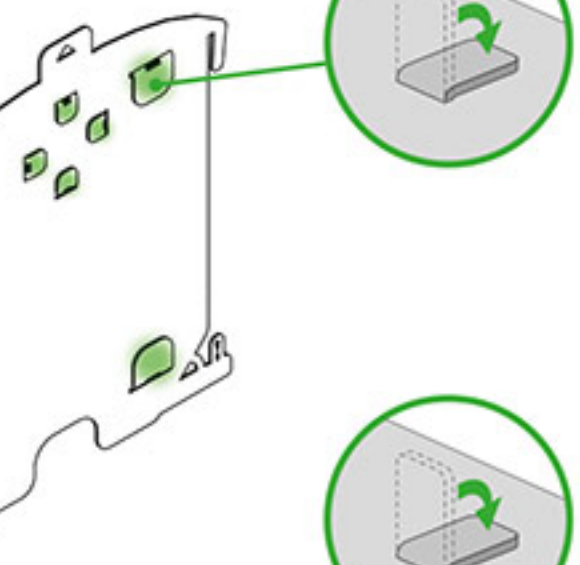
23.4



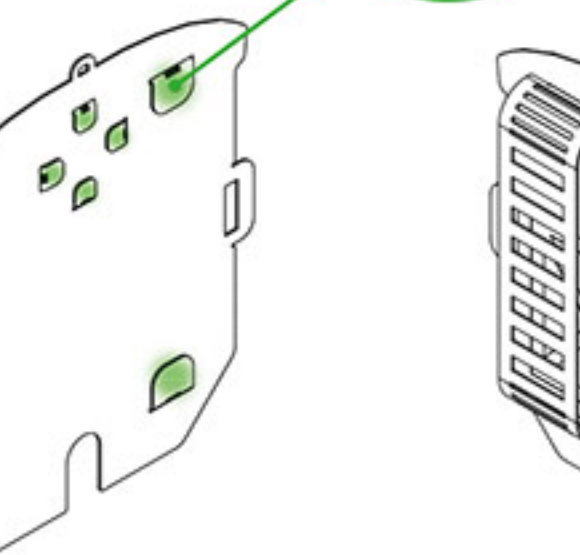
23.2



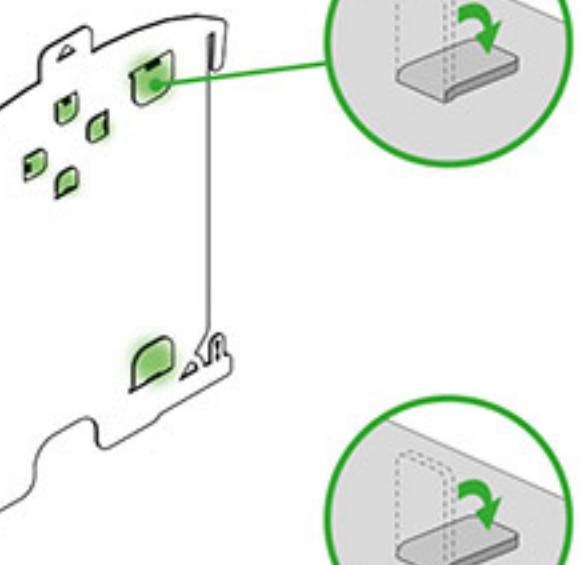
23.4



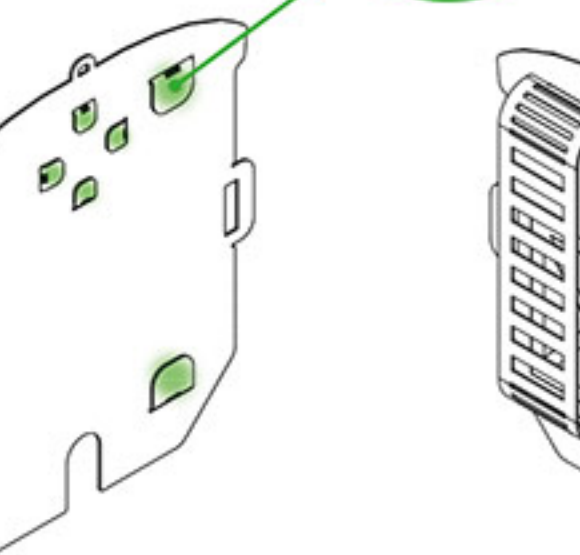
23.2



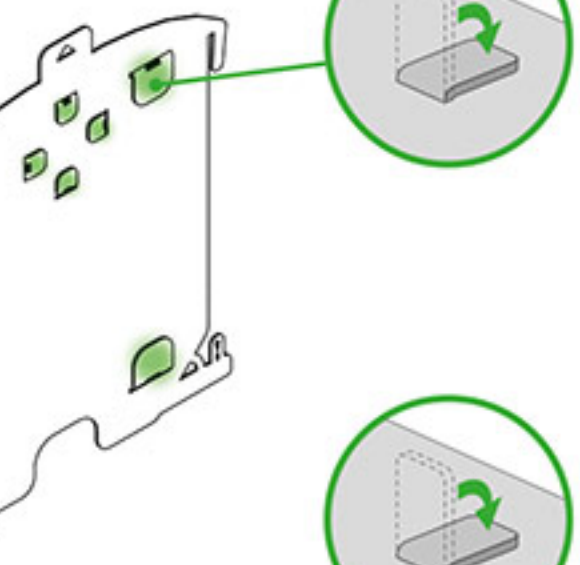
23.4



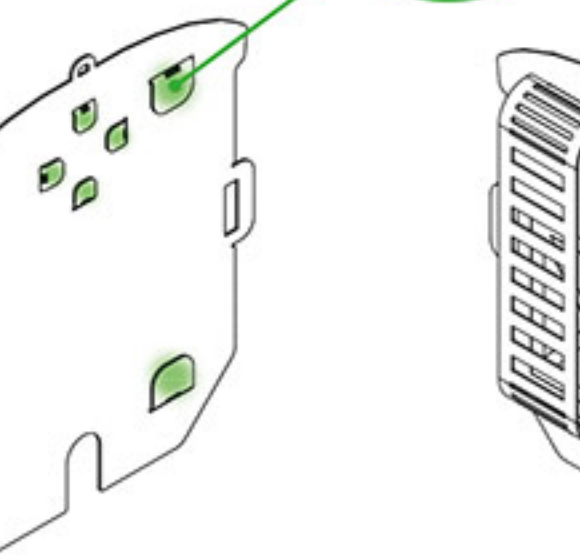
23.2



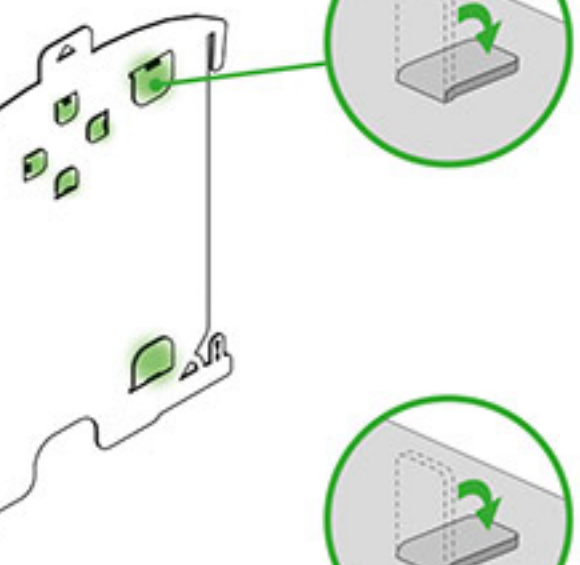
23.4



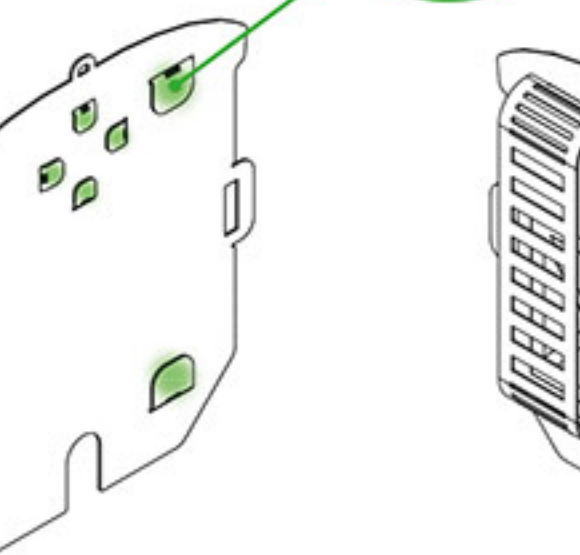
23.2



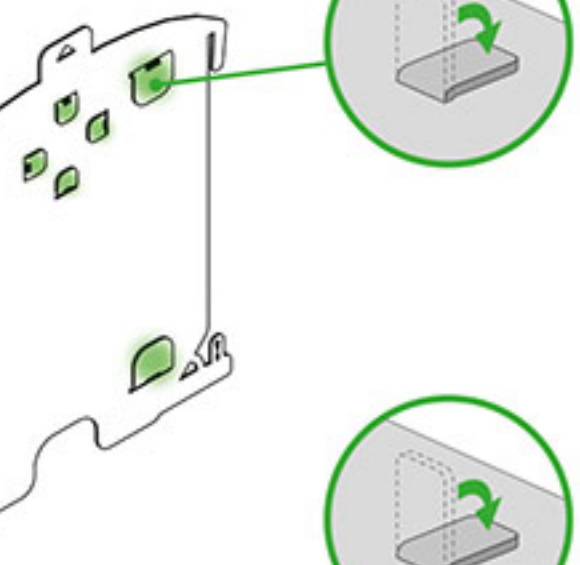
23.4



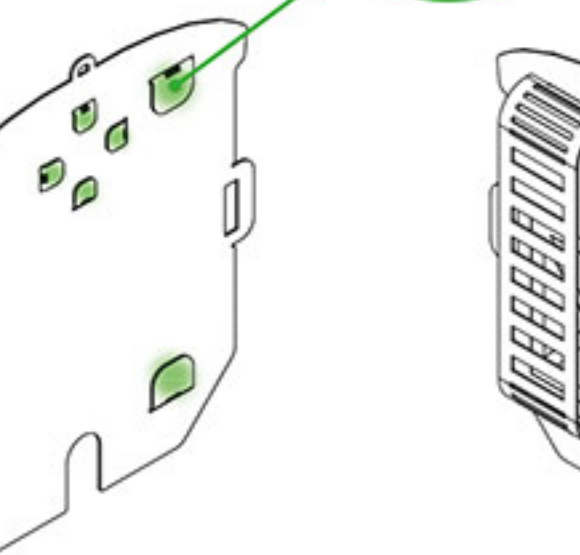
23.2



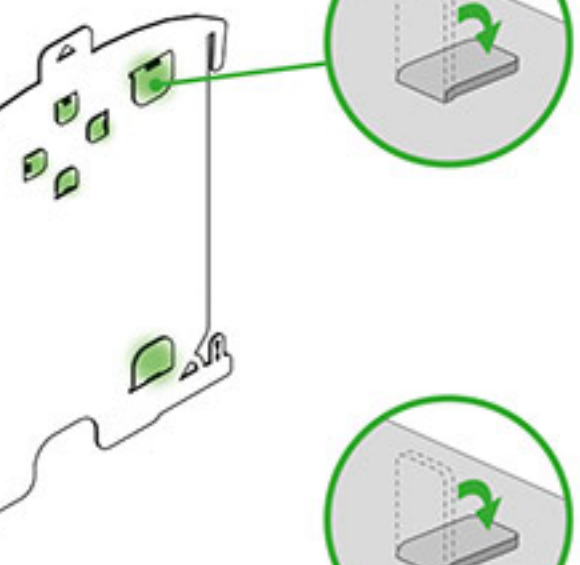
23.4



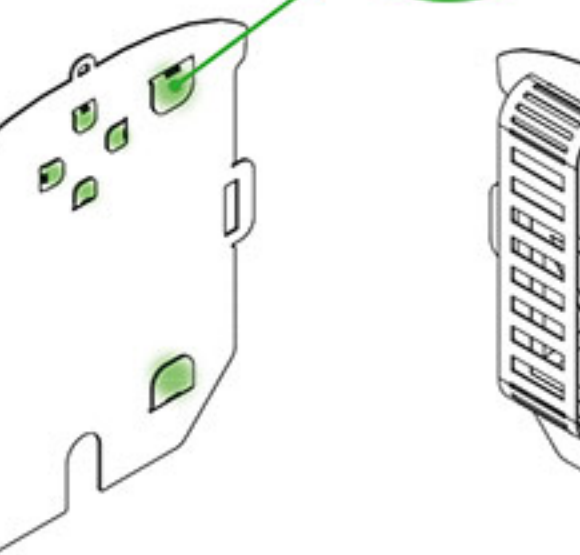
23.2



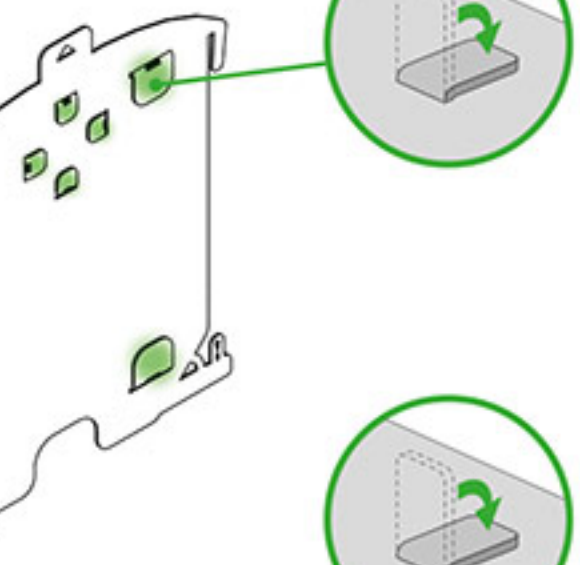
23.4



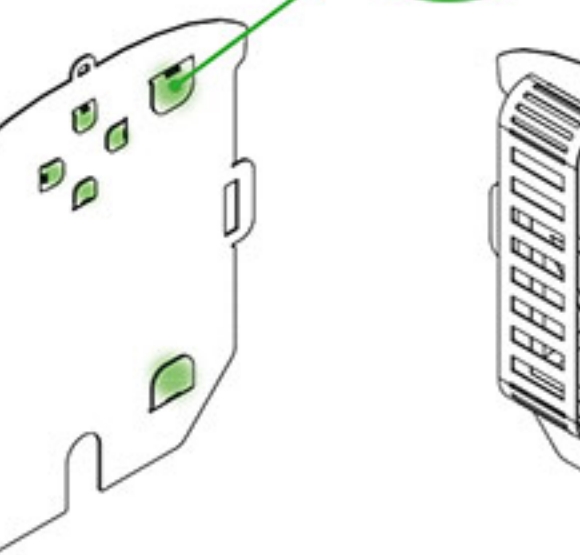
23.2



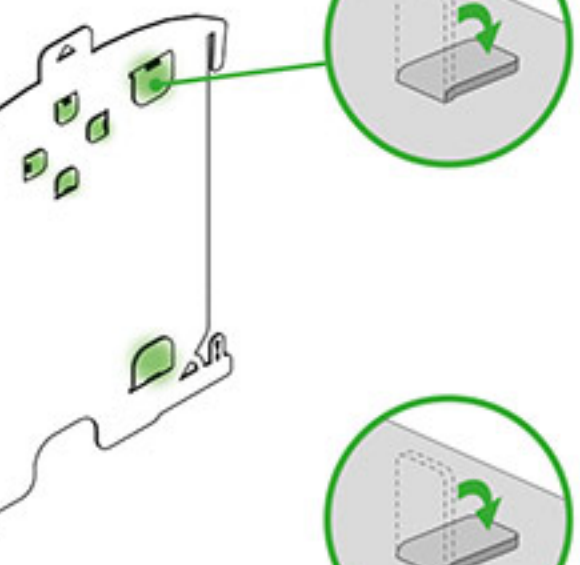
23.4



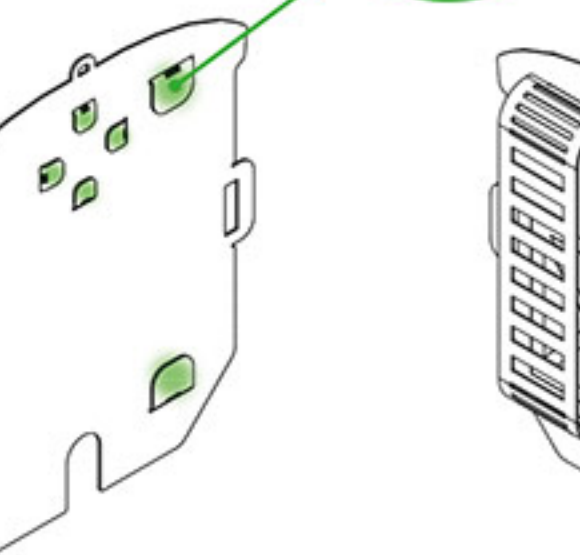
23.2



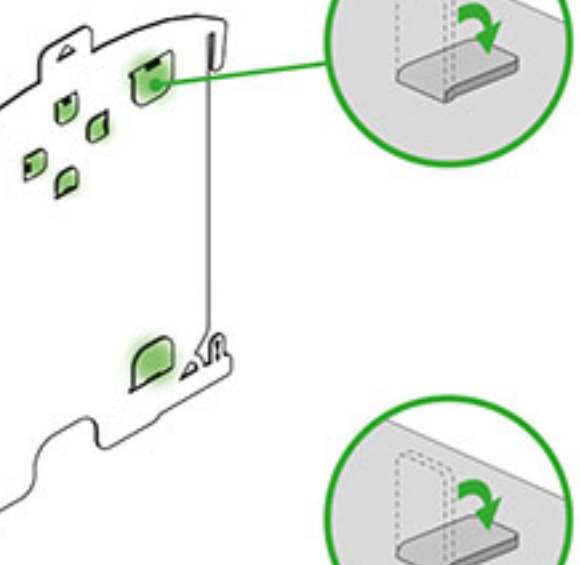
23.4



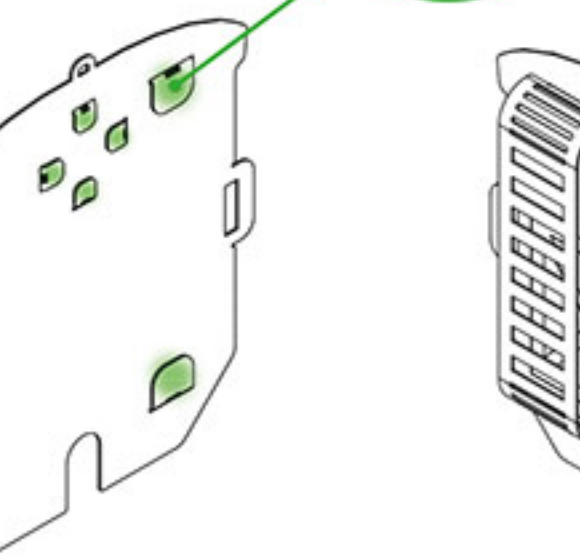
23.2



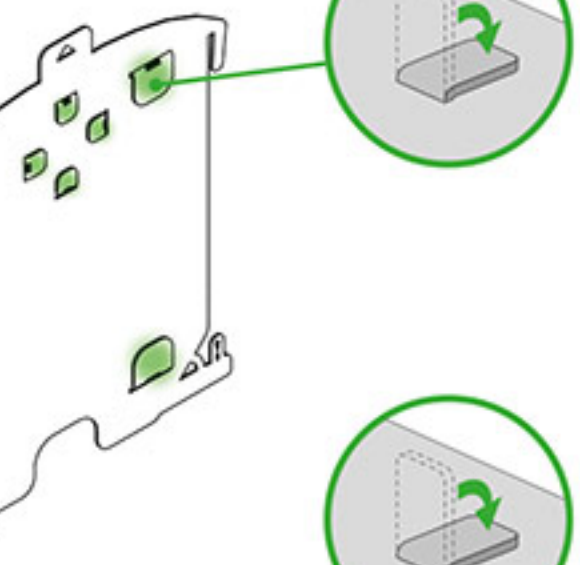
23.4



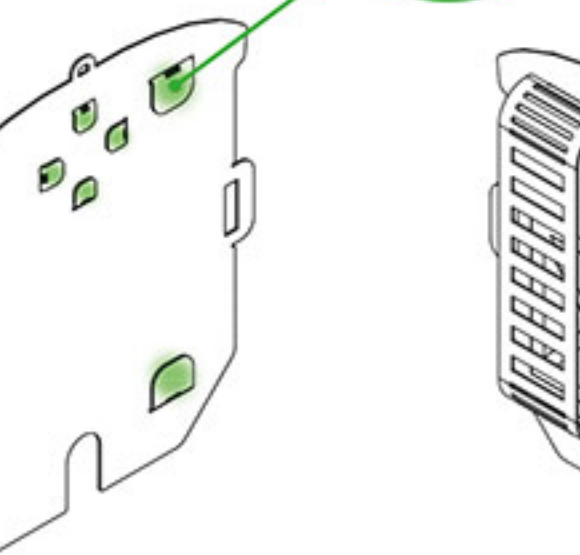
23.2



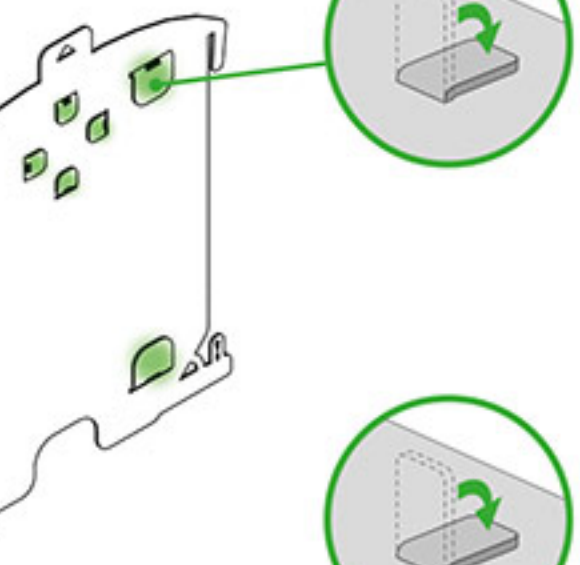
23.4



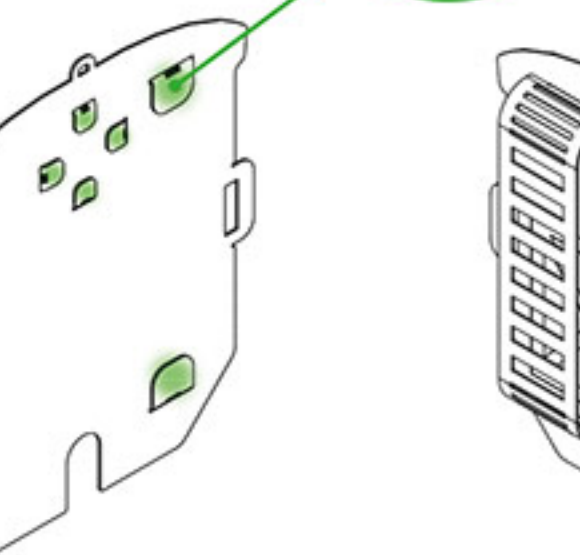
23.2



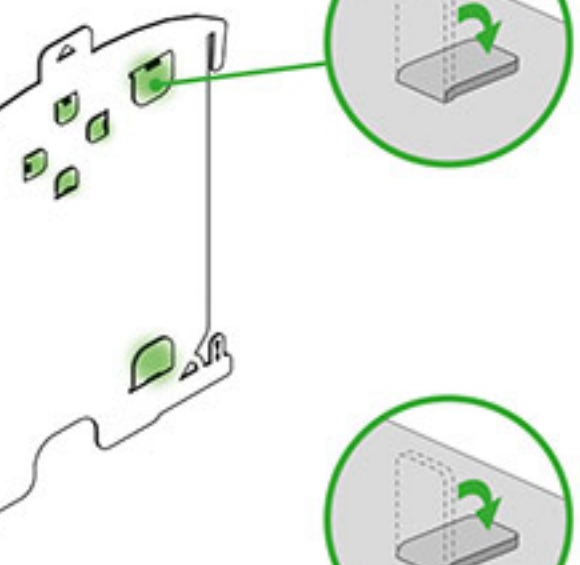
23.4



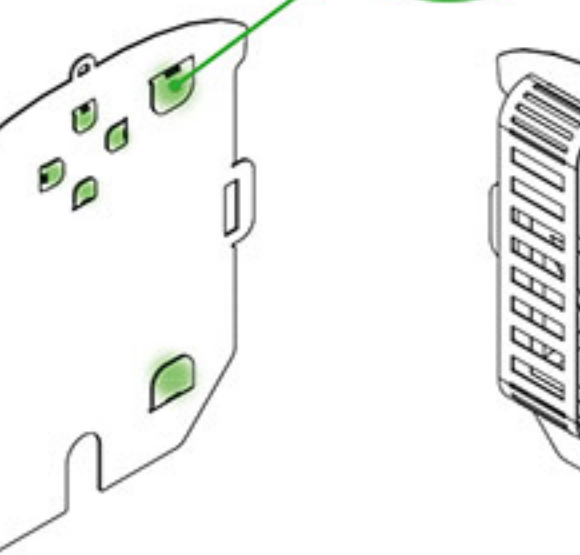
23.2



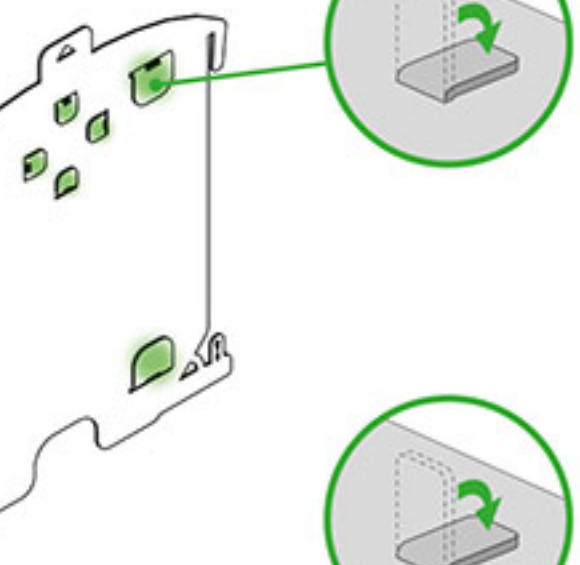
23.4



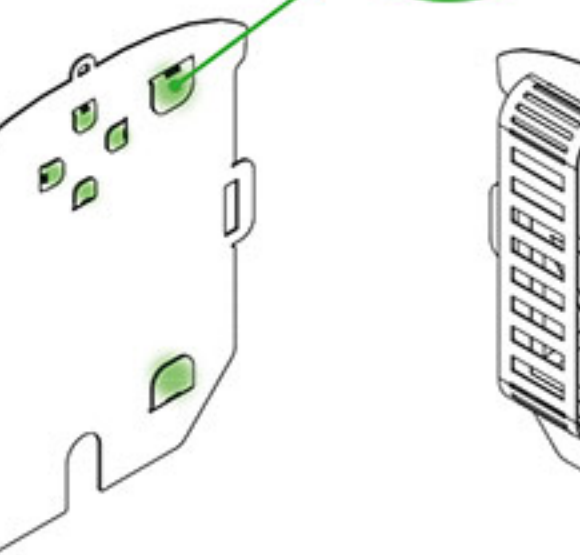
23.2



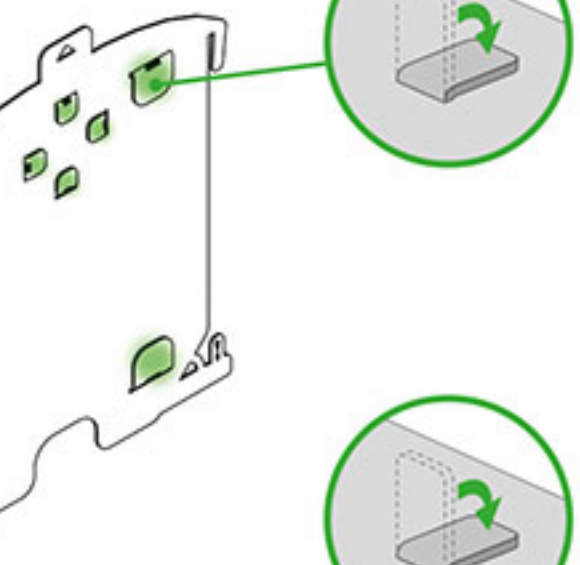
23.4



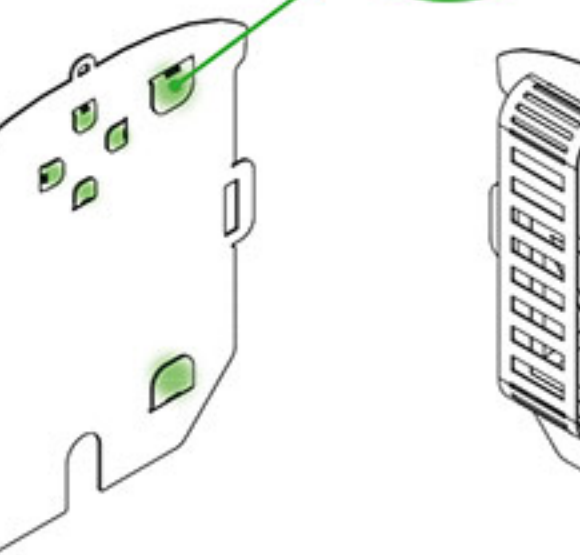
23.2



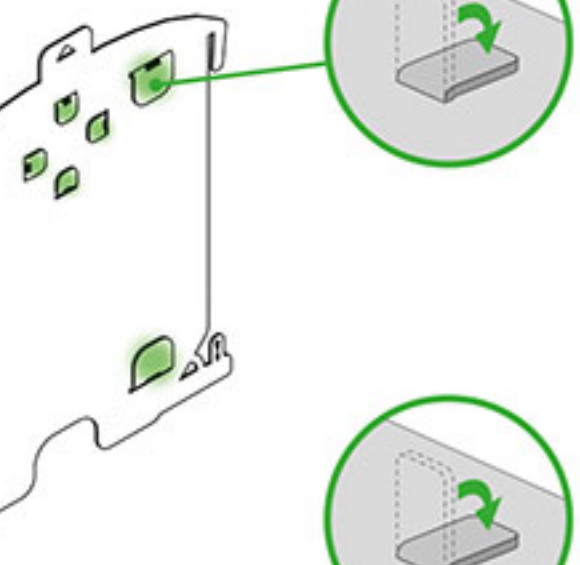
23.4



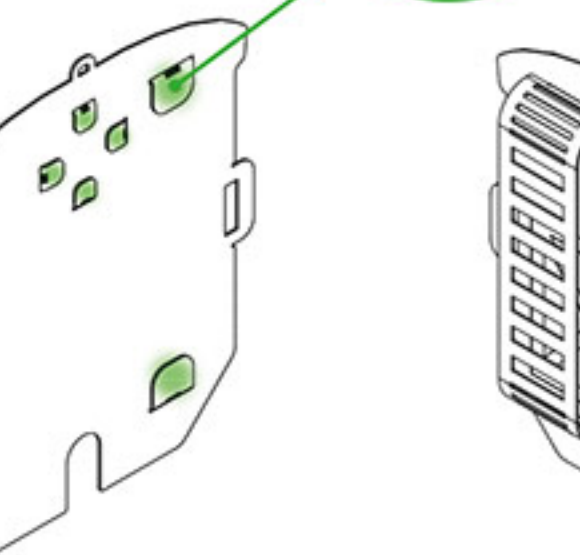
23.2



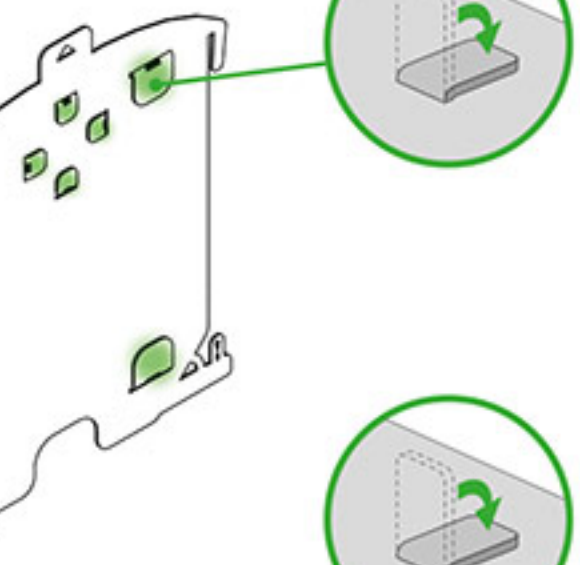
23.4



23.2

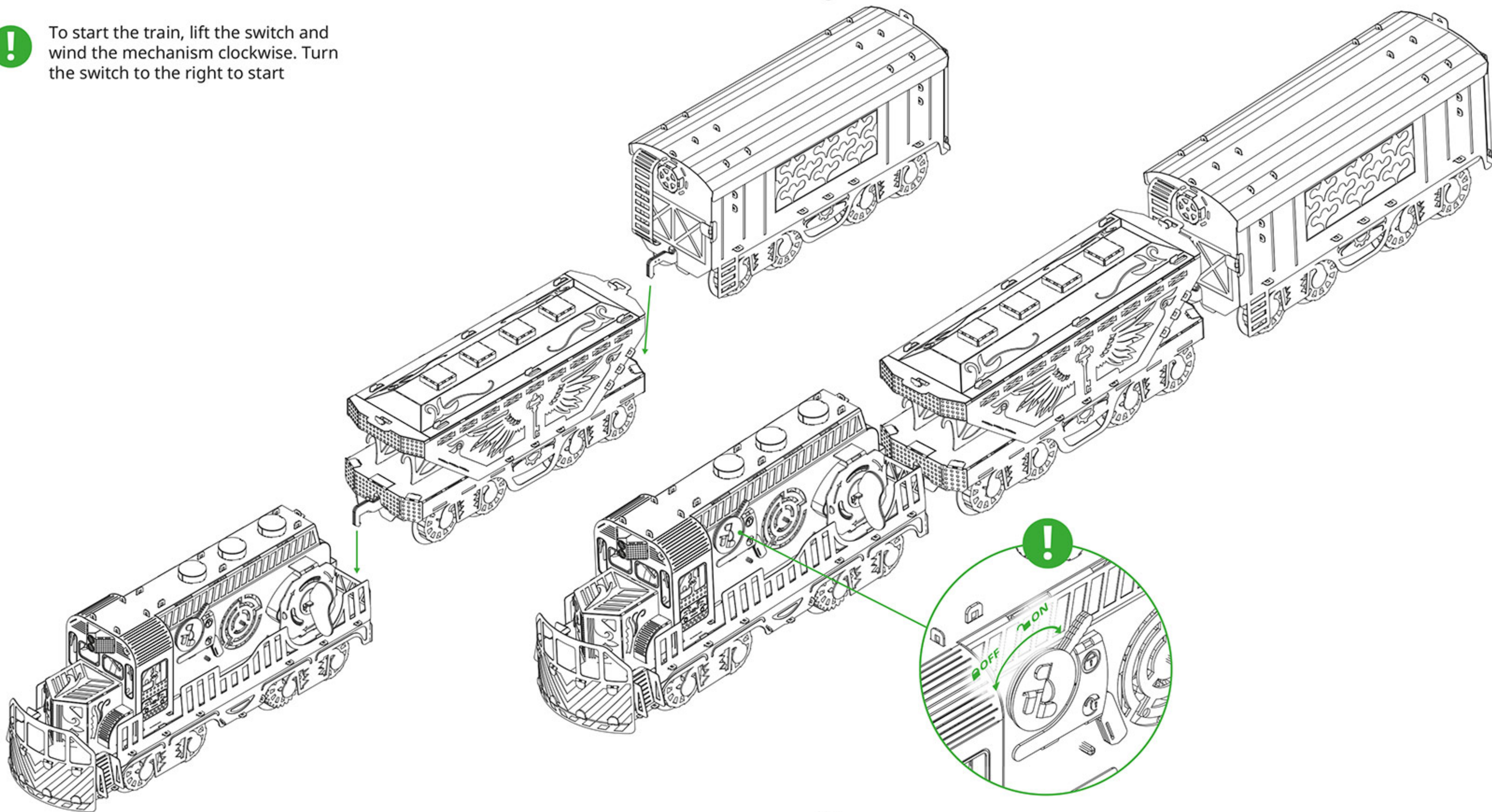


23.4





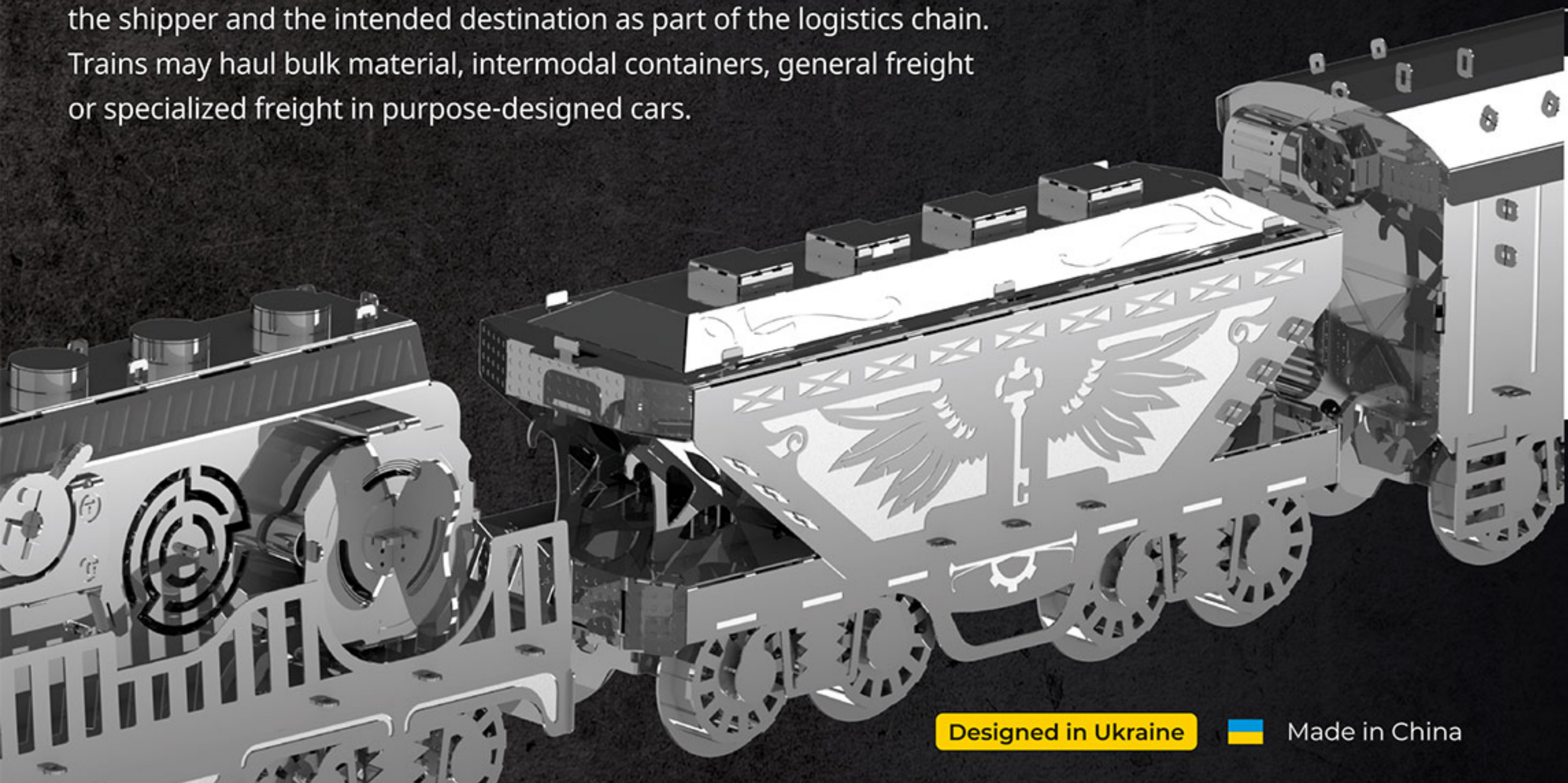
To start the train, lift the switch and wind the mechanism clockwise. Turn the switch to the right to start





Model name:
HEAVY LOCO

A freight train is a group of freight cars hauled by one or more locomotives on a railway, transporting cargo all or some of the way between the shipper and the intended destination as part of the logistics chain. Trains may haul bulk material, intermodal containers, general freight or specialized freight in purpose-designed cars.



Product number: SKU023

Product material: Stainless steel

Number of metal sheets: 7 pcs

Finish product size: L19.25" × W2.17" × H3.07" (L48.9cm × W5.5cm × H7.8cm)

! WARNING!

The product contains small and/or sharp parts. Not suitable for children under 3 years of age. Cut/remove the band that keeps the spring in place ONLY WITHIN the spring chamber/container. DO NOT cut the restraining band outside the assembled spring chamber, as the spring will unwind with force. In order to avoid possible injury from sharp edges, please carefully discard the metal sheet after parts have been removed. This product is not a toy. Keep out of reach of children.

Conforms to CPSIA and CE standards. The product complies with the requirements of EN 71-1,2,3; ASTM F963, REACH, AS/NZS 8124, GB 6675



No expiration date

MODEL
BUILDING
KIT

@hobbadd.cn

霍布德



Collect the Best

Includes: steel sheets, gears, power spring, pliers, file, gloves, polishing cloth, user's guide.

ALL RIGHTS RESERVED
© Metal-Time Inc., USA

www.metal-time.com
info@metal-time.com