



METAL<sup>®</sup>  
TIME

## CASPIAN SEA MONSTER

3D Metal Mechanical Model Building Kit

Assembly instructions  
Інструкція зі складання  
Instrukcja montażu  
Istruzioni di montaggio  
Montageanleitung  
Instructions de montage  
Instrucciones de montaje

Instruções de montagem  
Інструкція по сборке  
装配说明书  
조립 설명서  
組立説明書

تعليمات التجميع  
הוראות הרכבה



Collect the Best

77 PIECES

5 hours

Working ailerons / Dual color  
Detachable stand

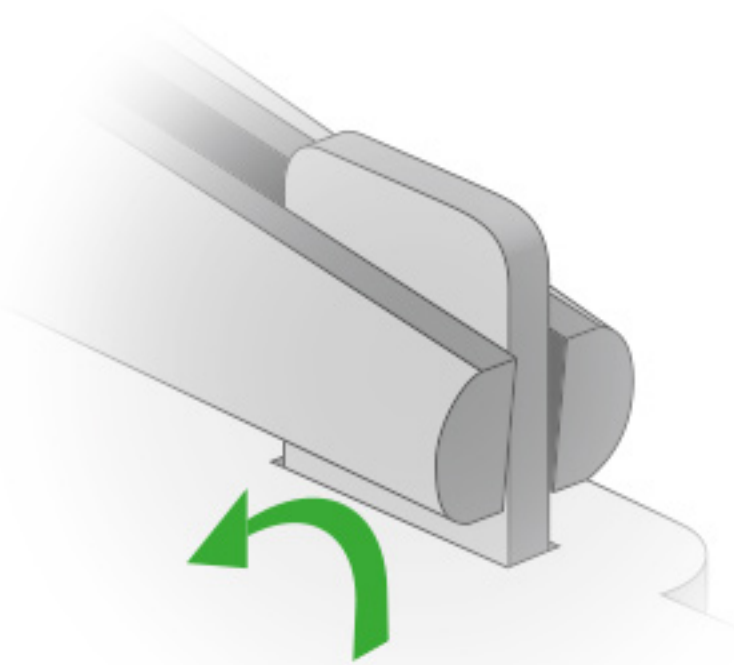
AGES  
14+



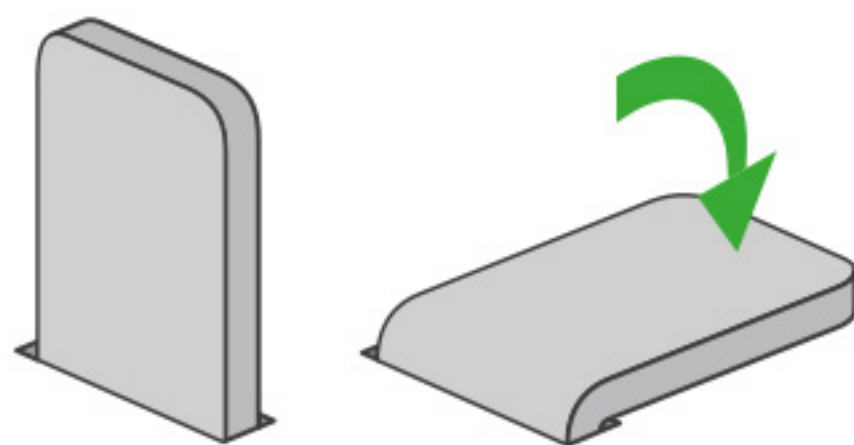
## **WARNING!** PLEASE READ THESE INSTRUCTIONS CAREFULLY BEFORE ASSEMBLY AND USE

When assembling the model, don't rush, avoid pointing details at yours or anyone else's face. If one of the parts has a sharp edge, please file it down. Use pliers and additional tools to assemble the model. Each kit contains a cloth for wiping and polishing the model once it's assembled. If needed, you may choose to apply a small amount of siliconbased grease to the spring and the mechanism; however, this is not a requirement for the mechanism to function properly. The mechanism will perform at its best in the absence of excessive friction or excessive play of its parts

### STANDARD FIXING OF FASTENERS



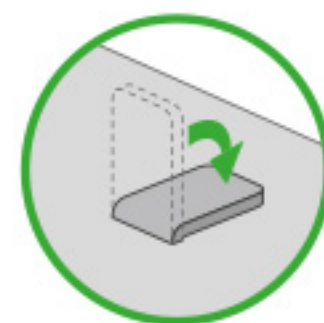
Use pliers to bend the fastener



If there are no additional designations, use the standard fixing method

**WARNING!** Product contains small parts and sharp parts. Not suitable for children under 3 years of age. Please read these instructions carefully before assembly and use.

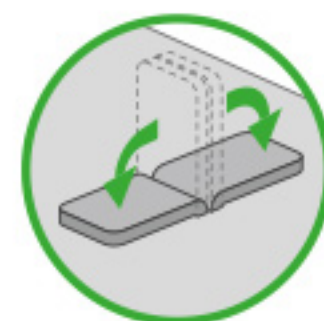
## SYMBOLS



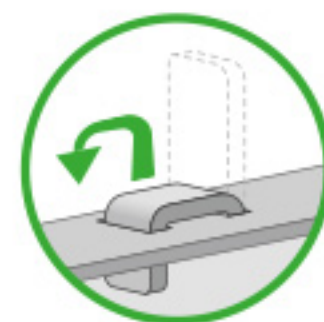
Bend the eyelet 90°



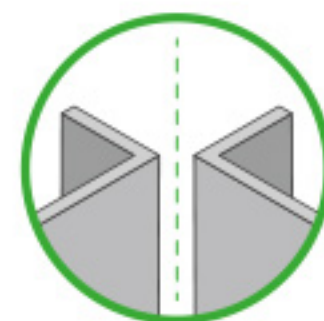
Twist the eyelet 45°



Bend the ears 90°

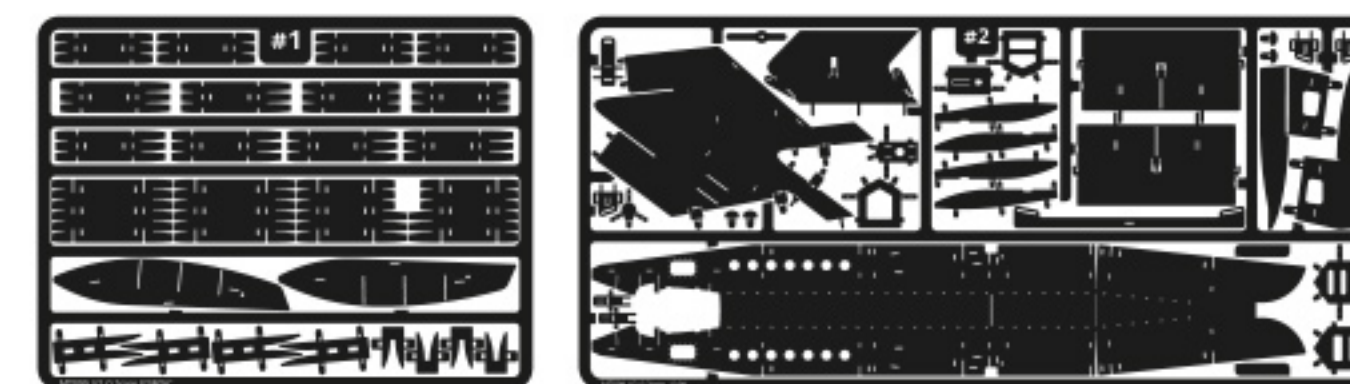


Bend the tip of the ear by 90°, then bend the whole ear by 90°



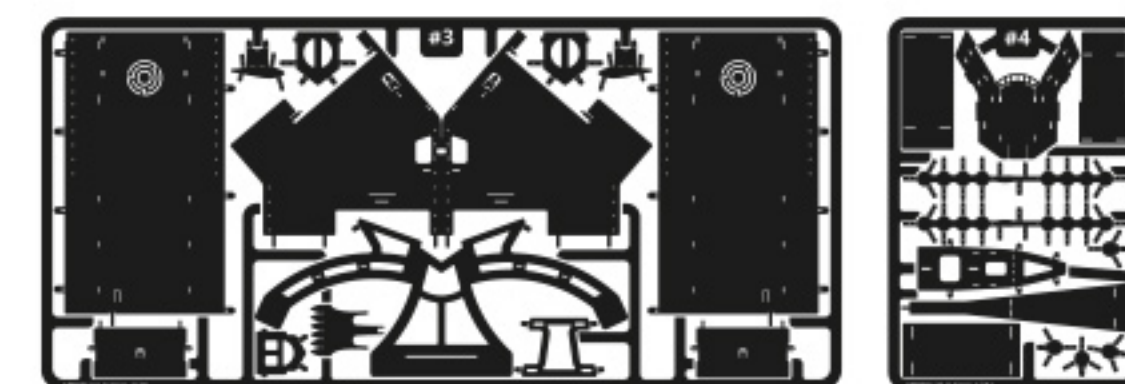
Assemble/bend parts symmetrically

## MODEL PARTS AND ASSEMBLY TOOLS



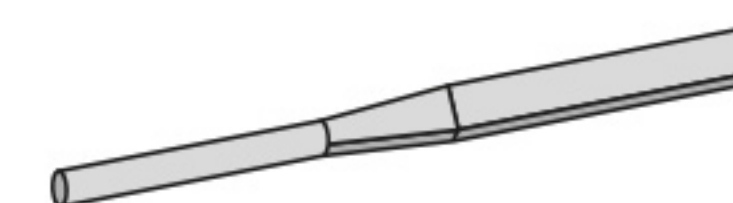
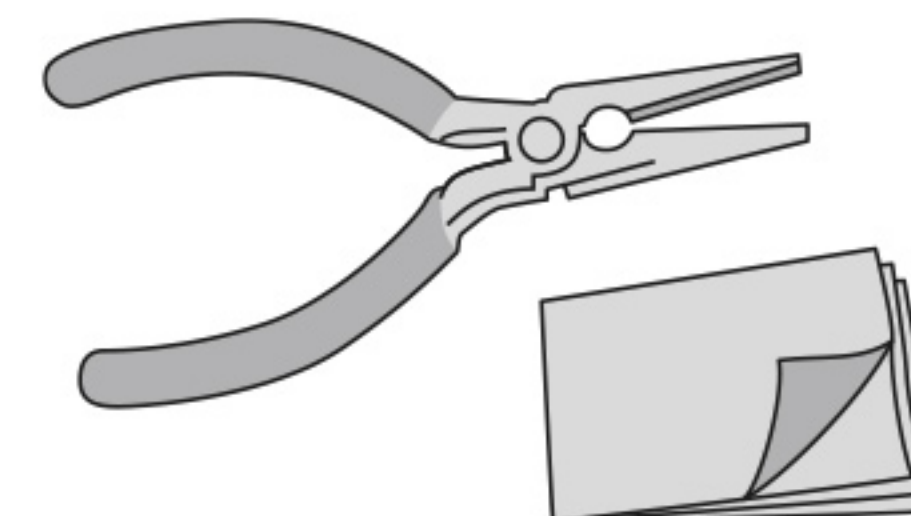
#1

#2



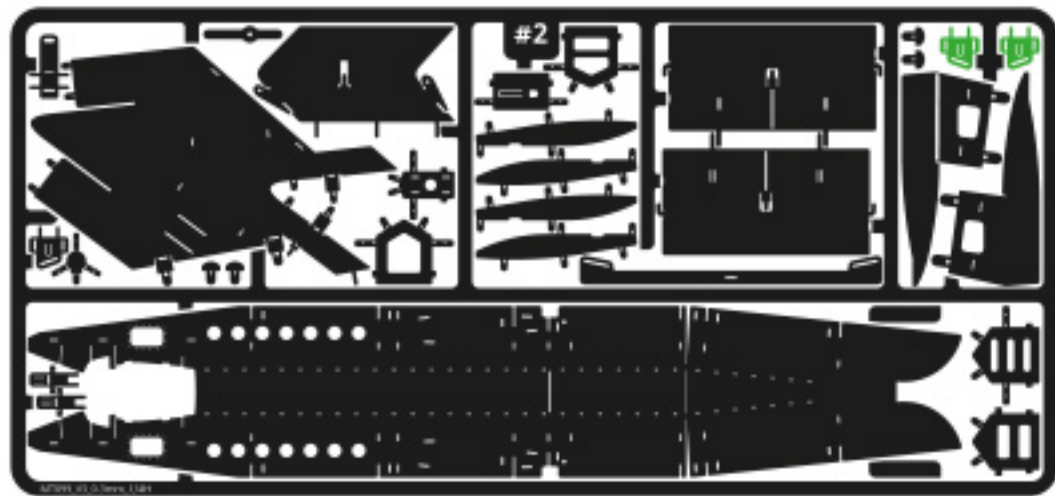
#3

#4



Tools

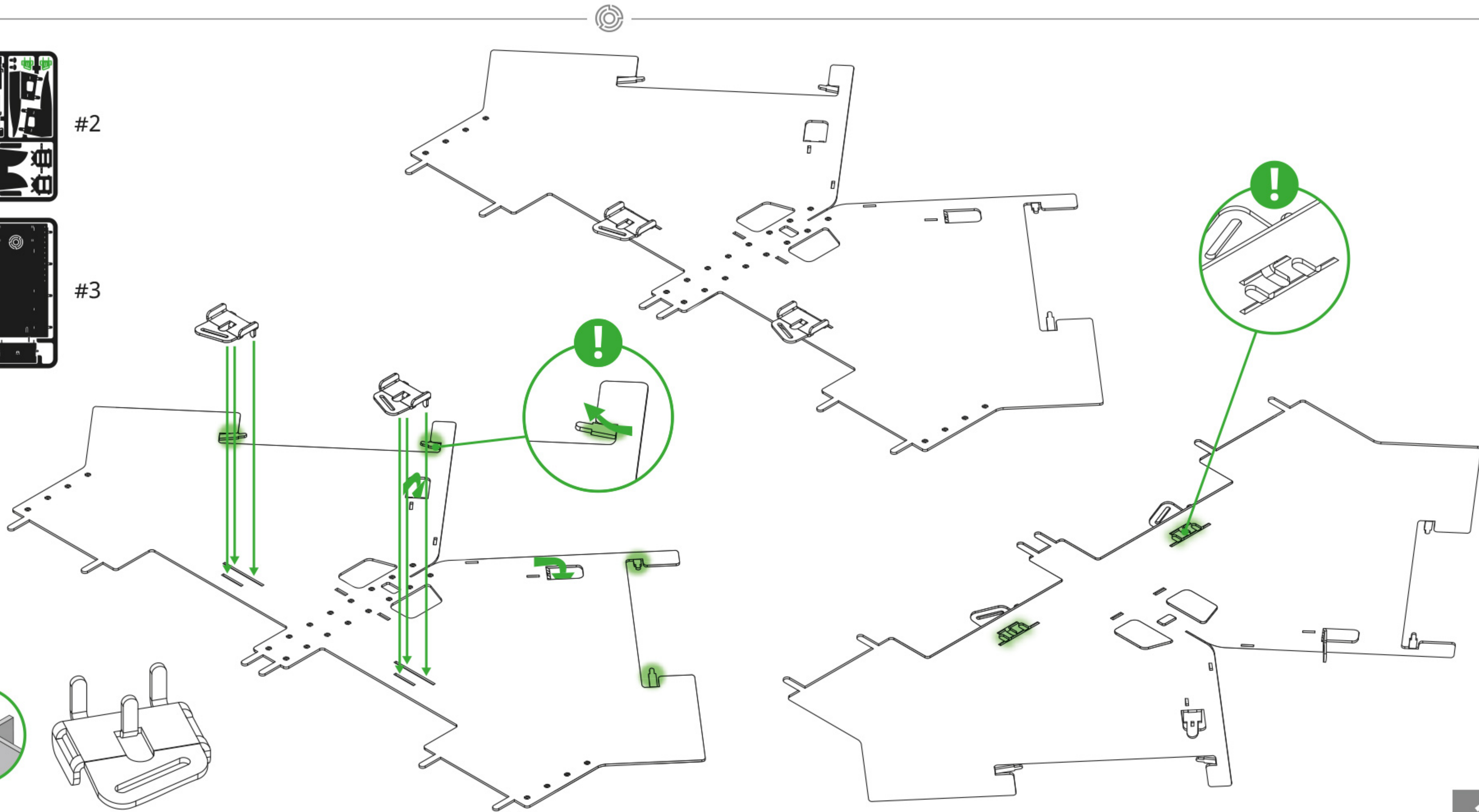
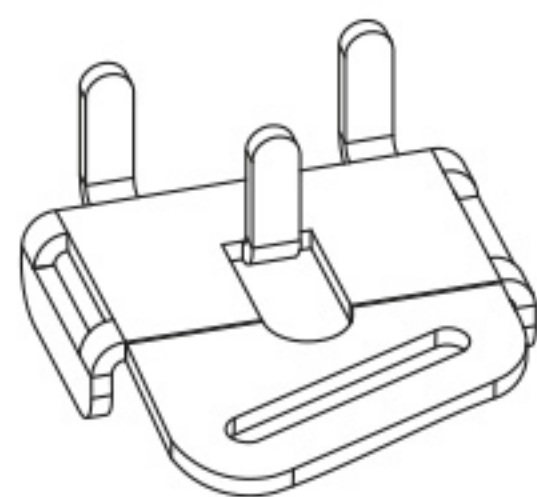
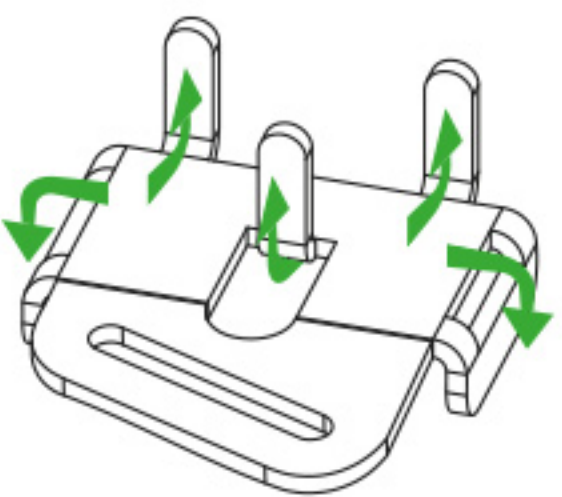




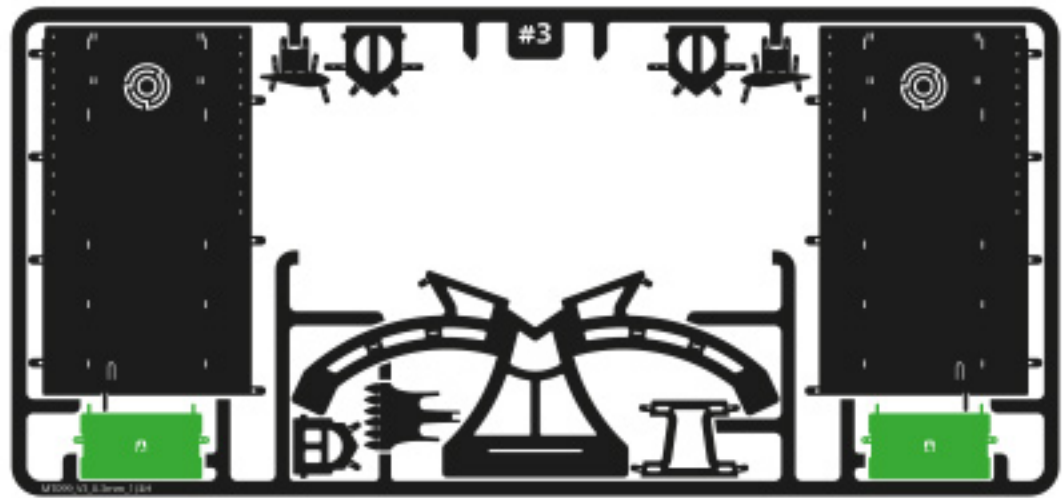
#2



#3



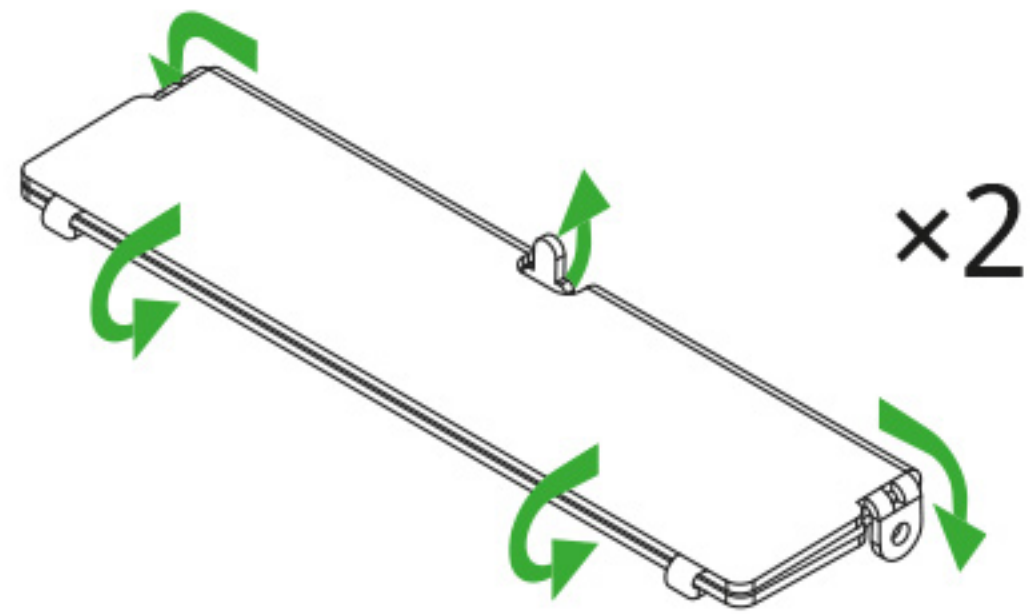




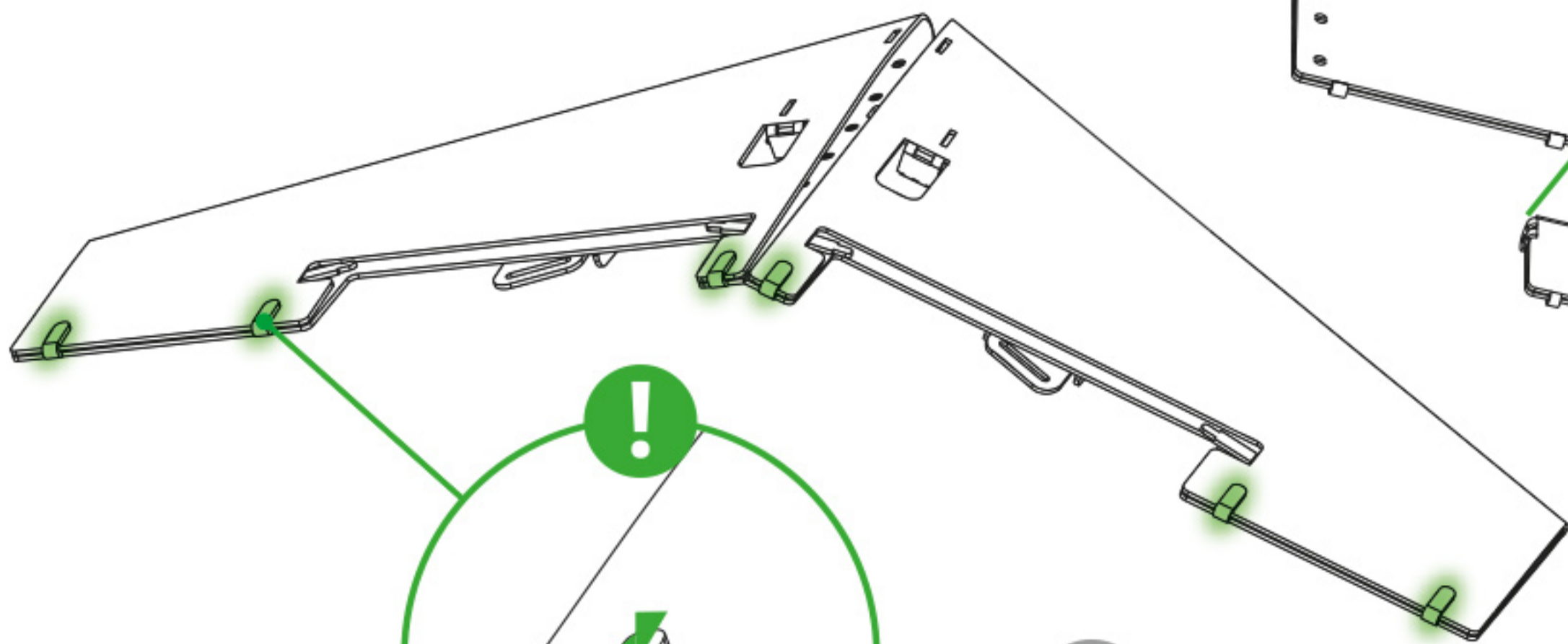
#3

2.1

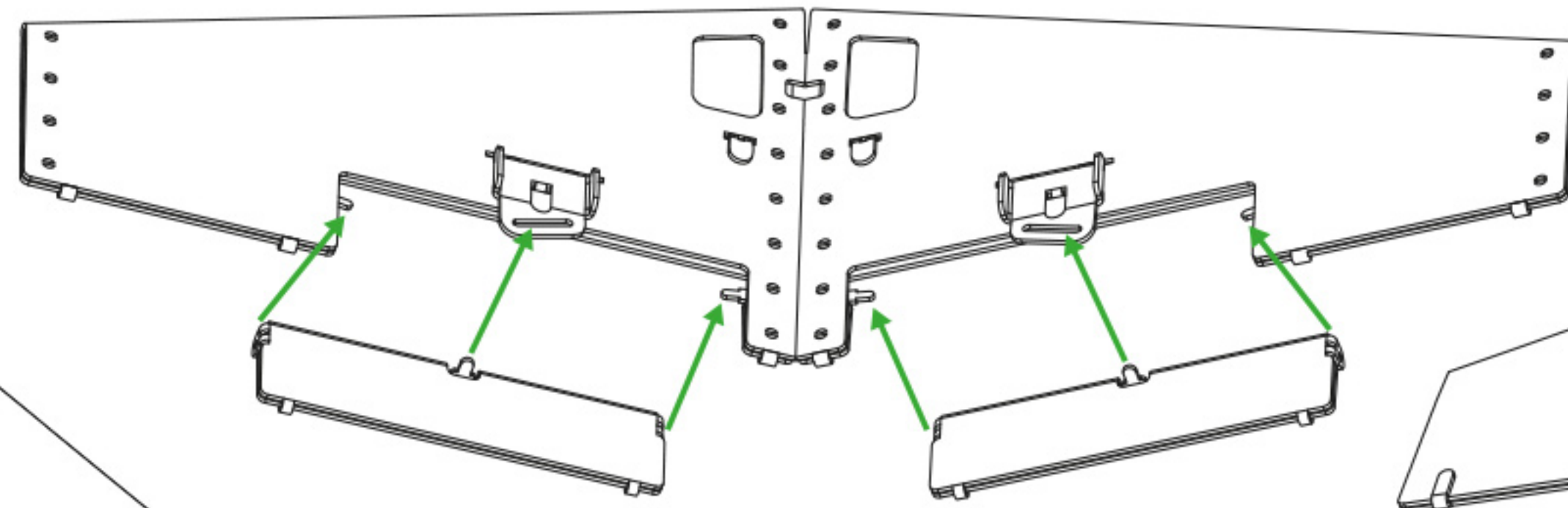
2.2



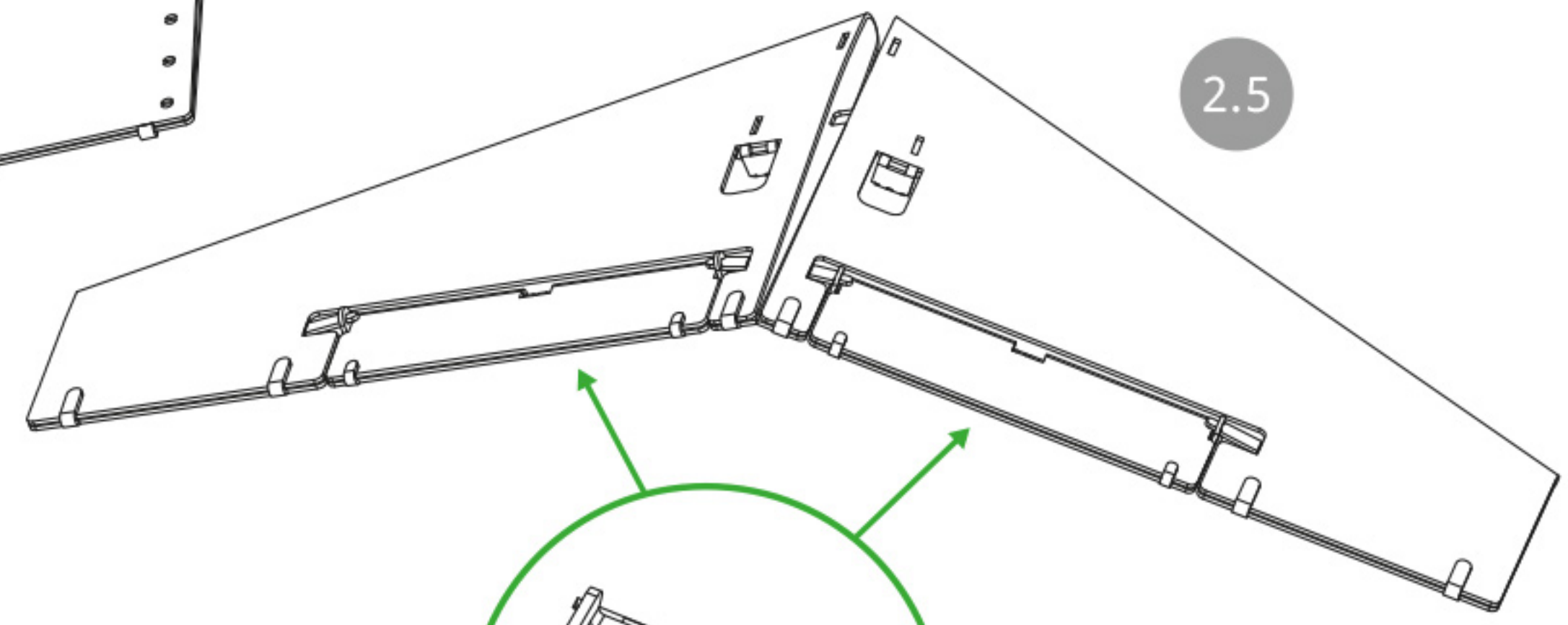
x2



2.3

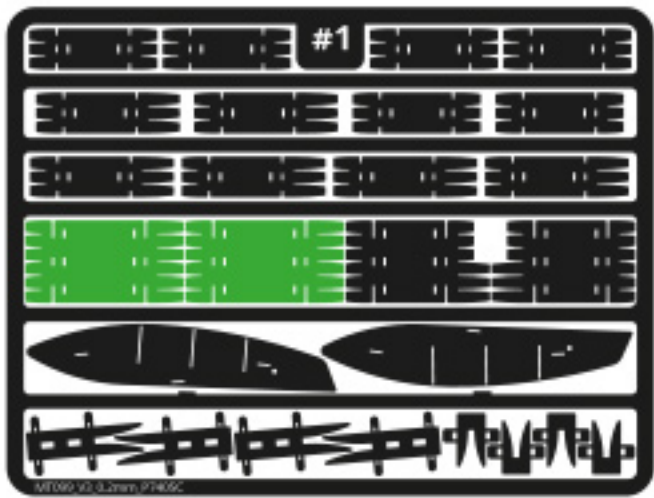


2.4

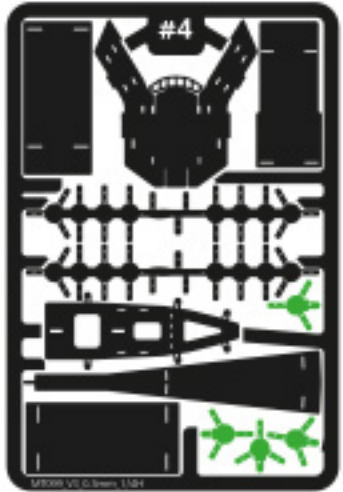


2.5

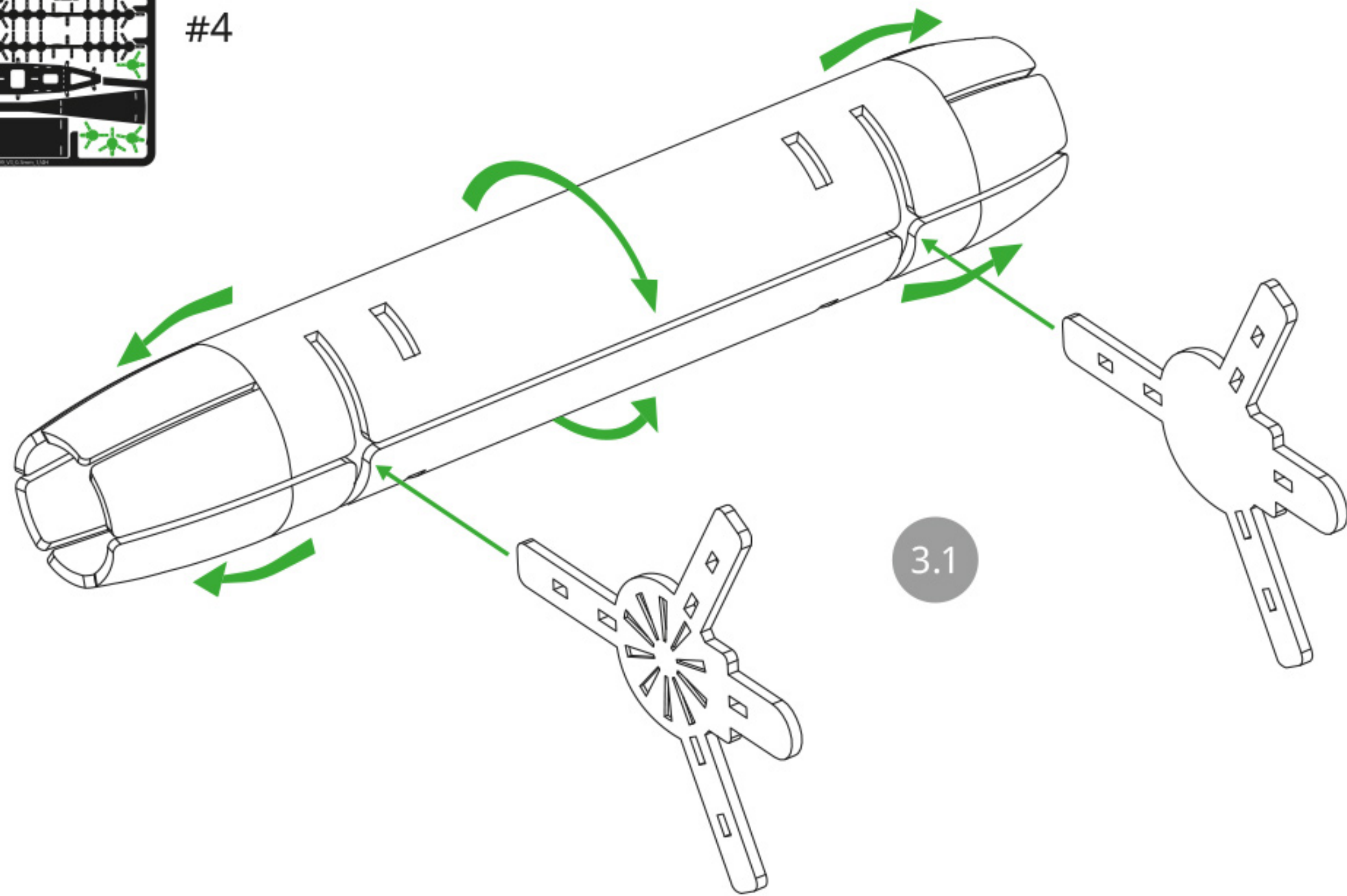




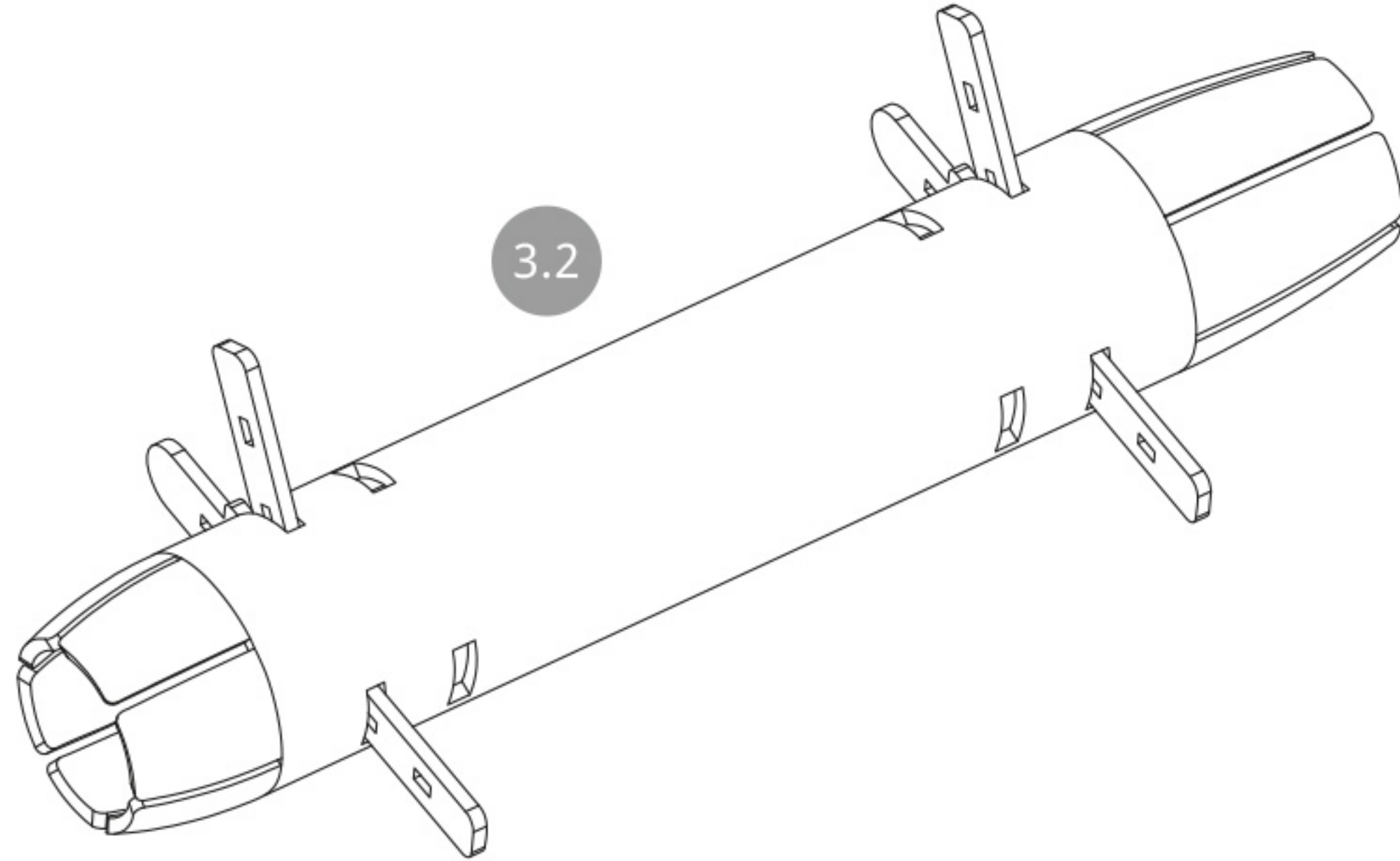
#1



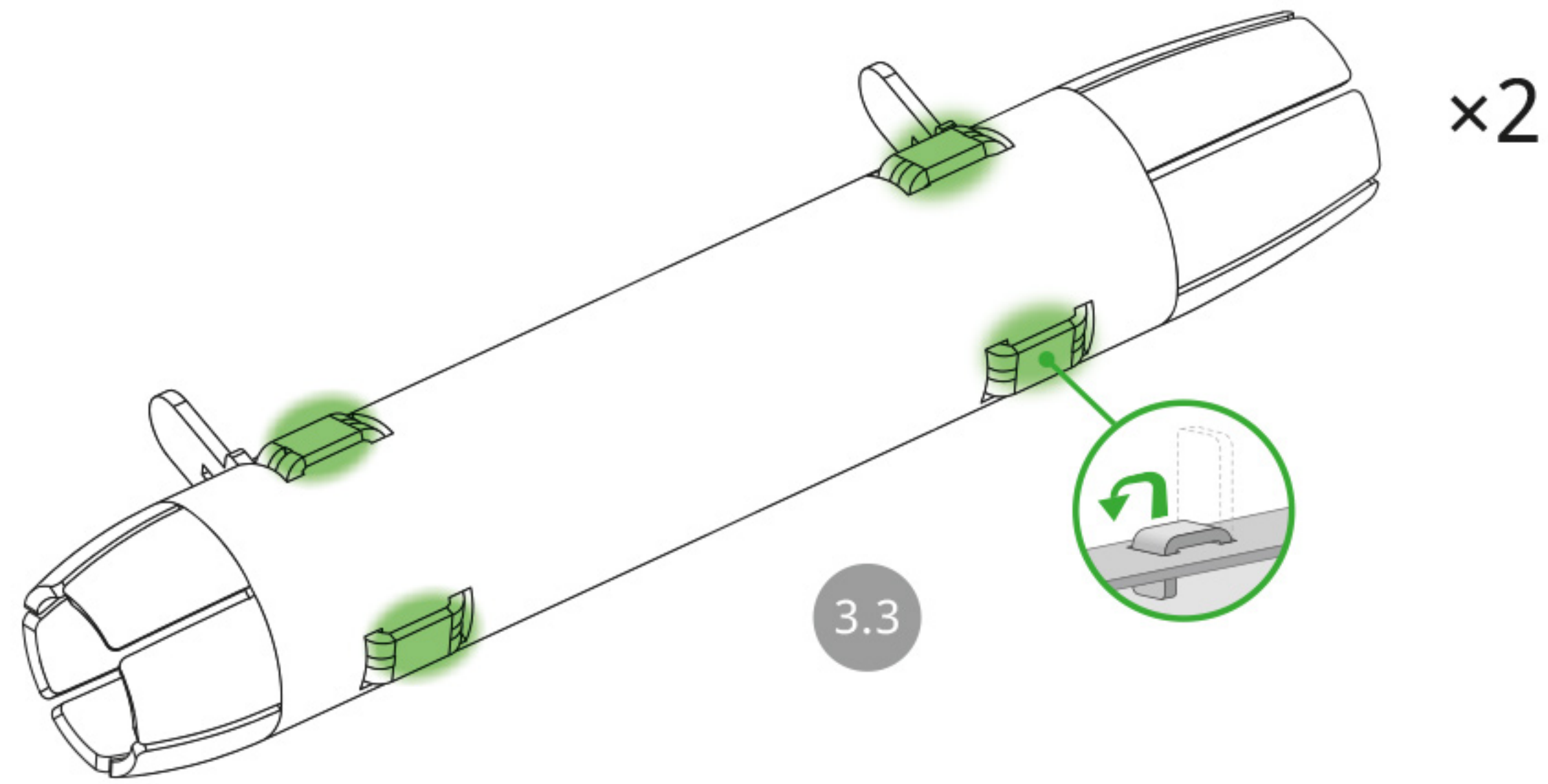
#4



3.1



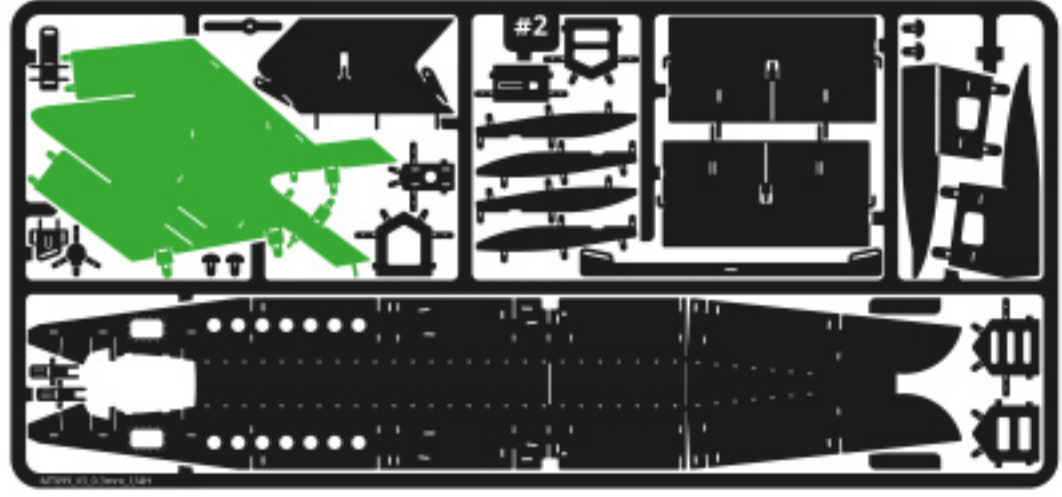
3.2



3.3

x2

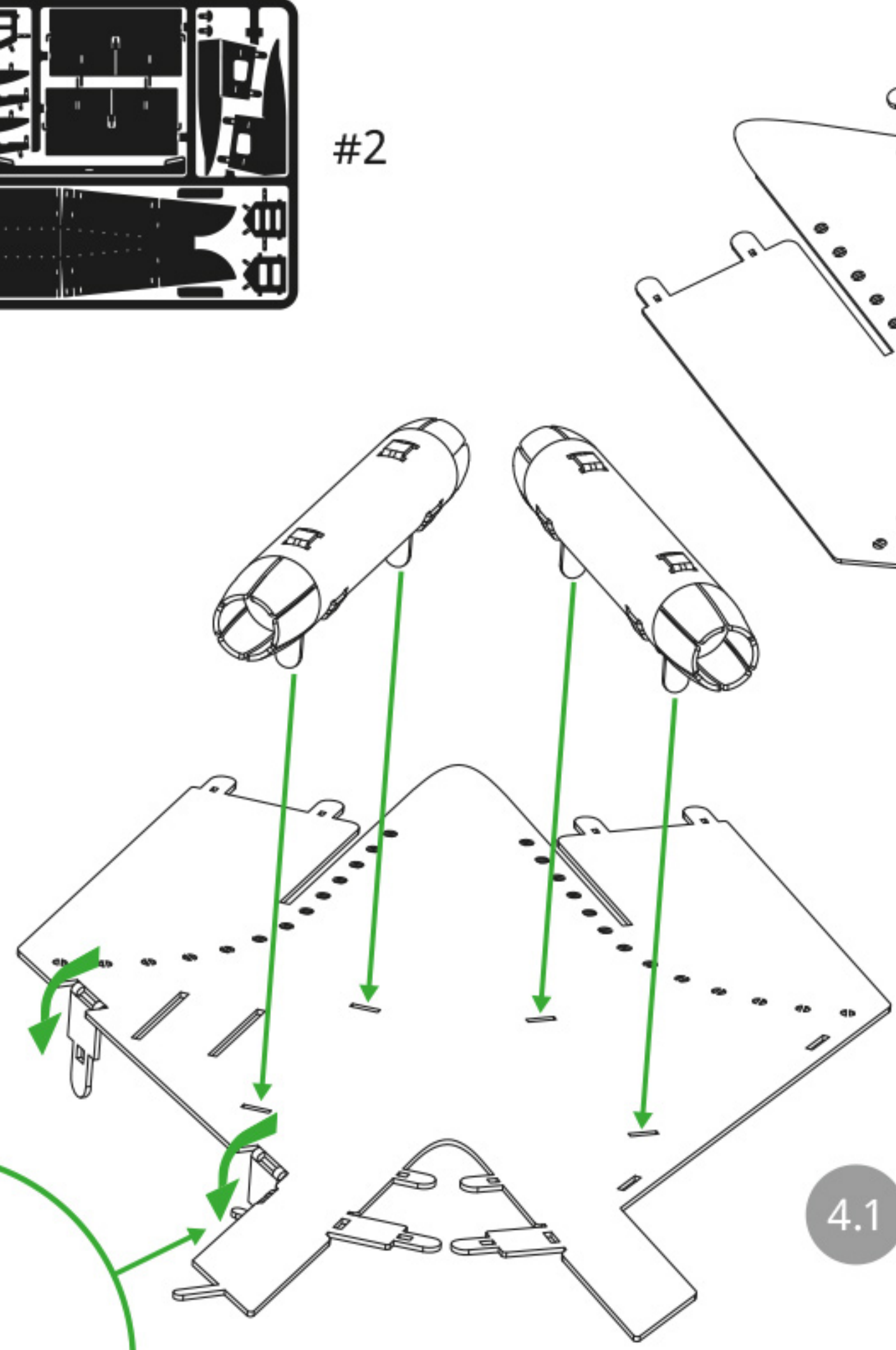




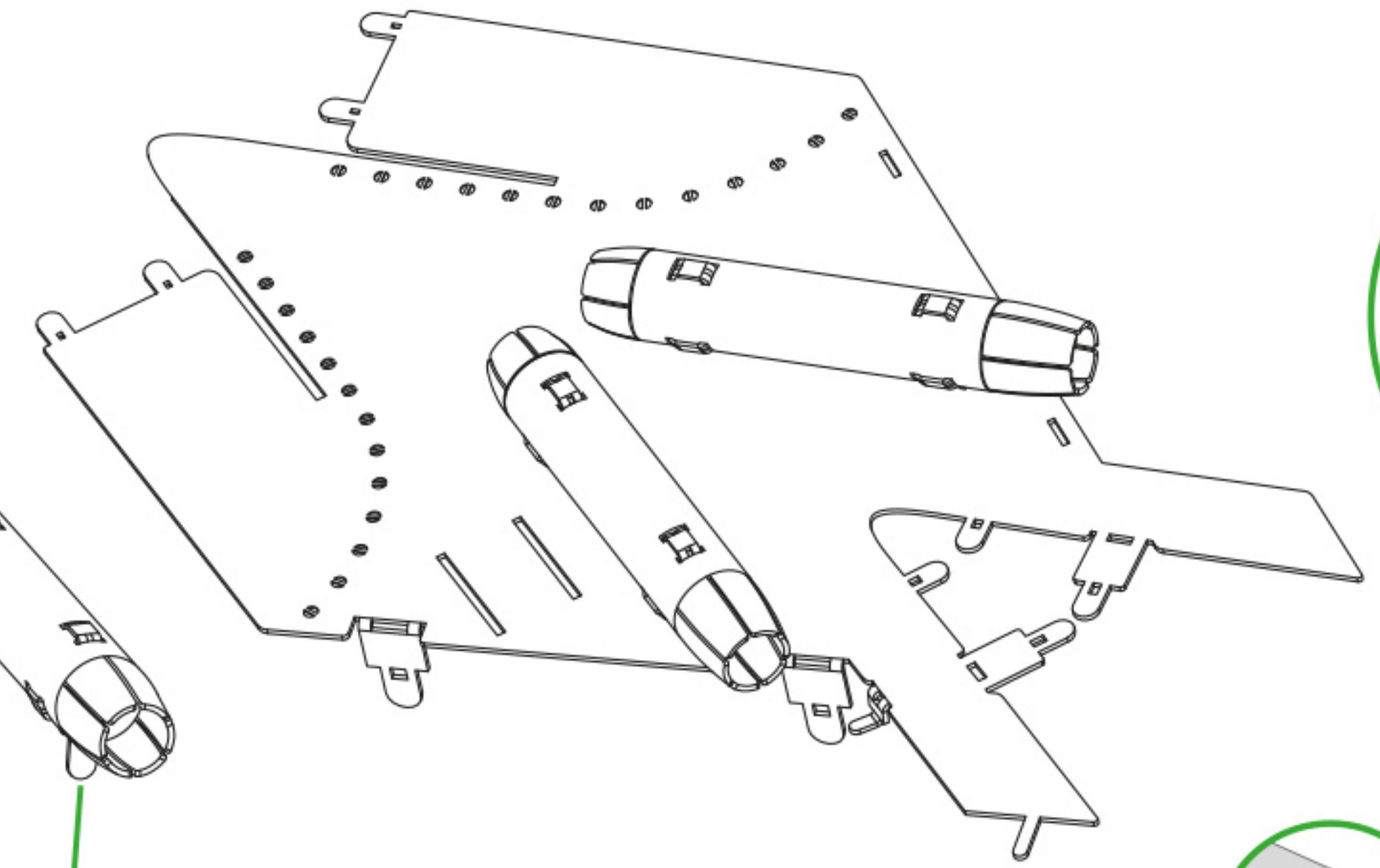
#2



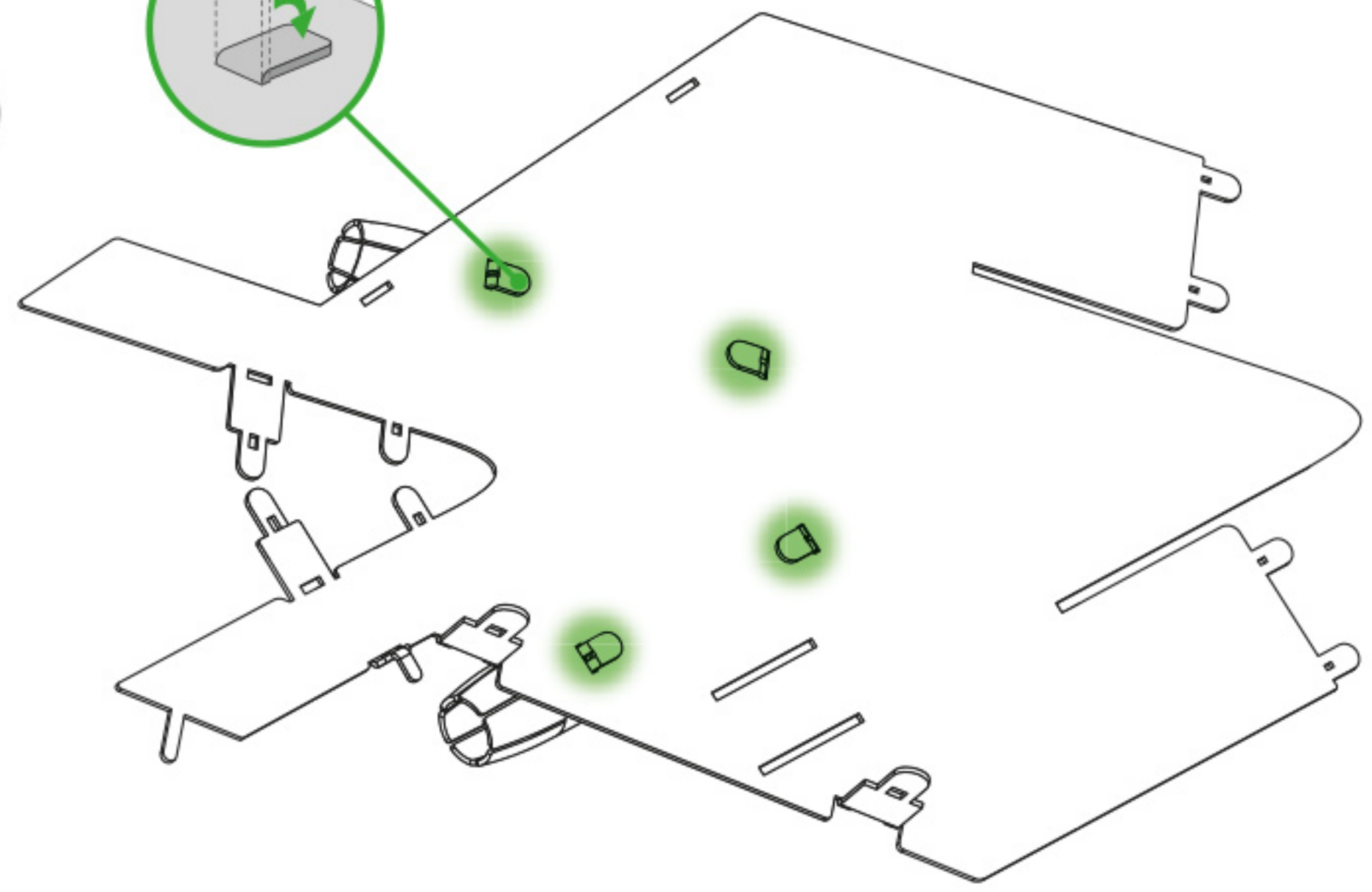
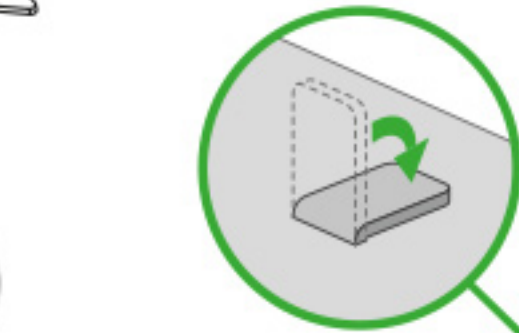
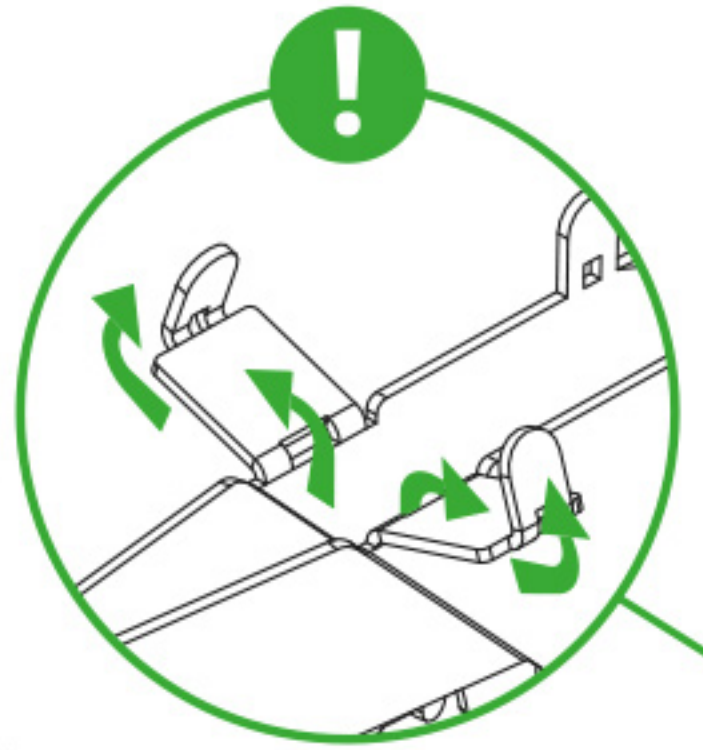
4



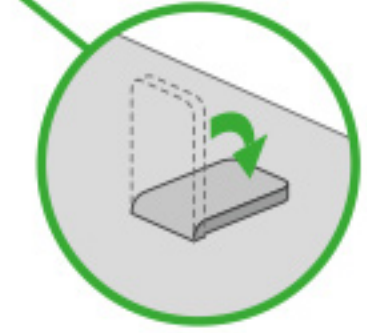
4.1



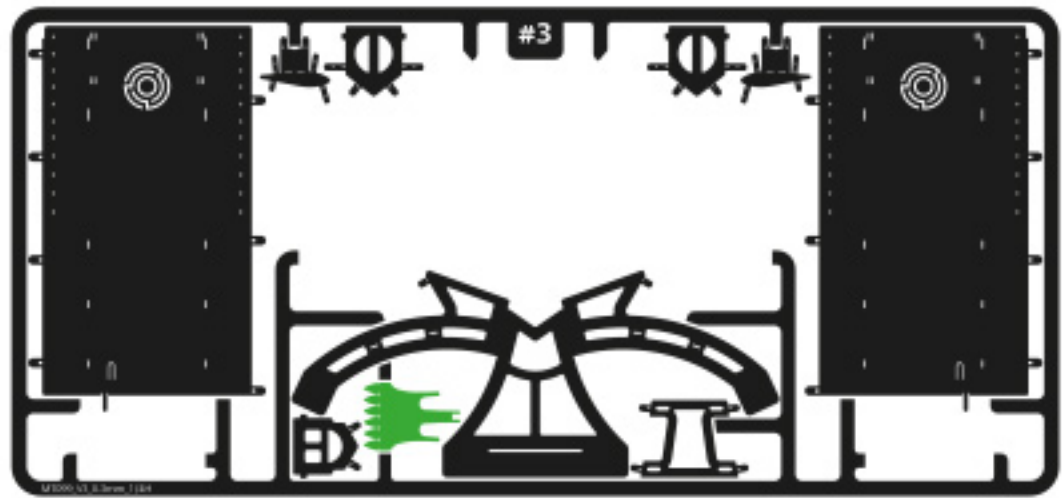
4.2



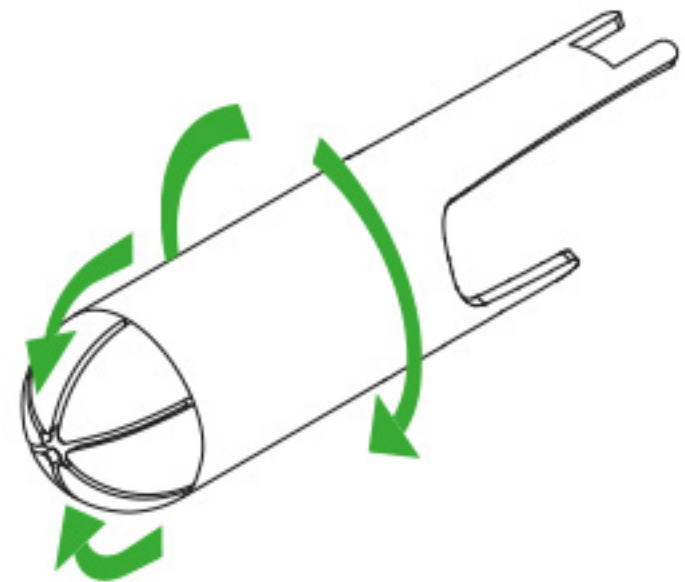
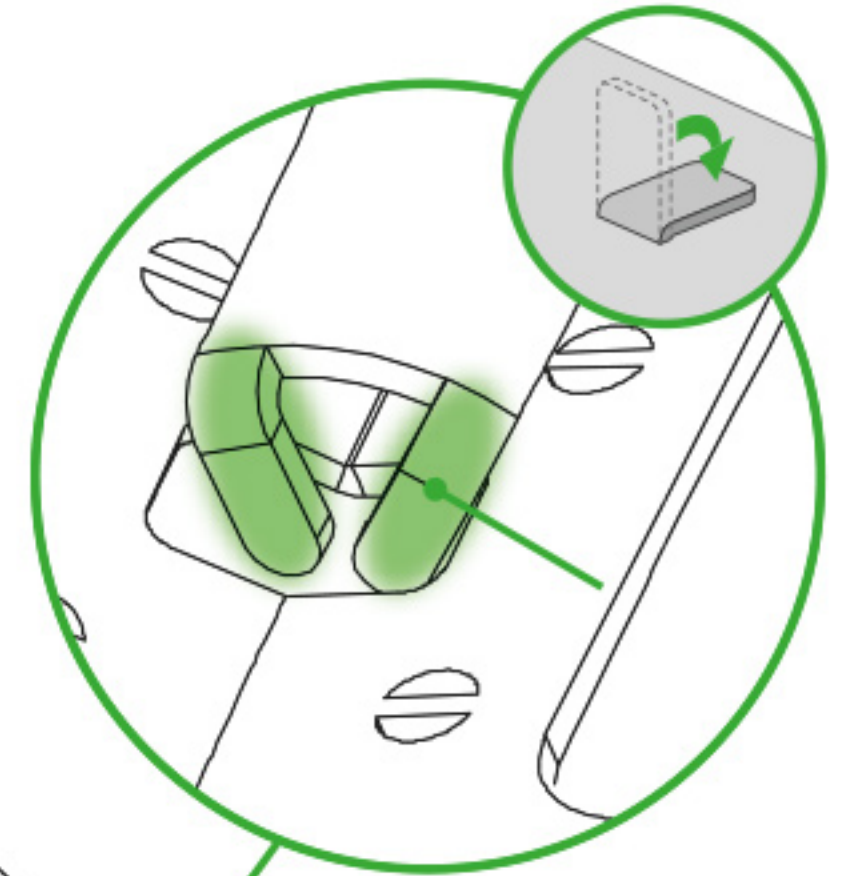
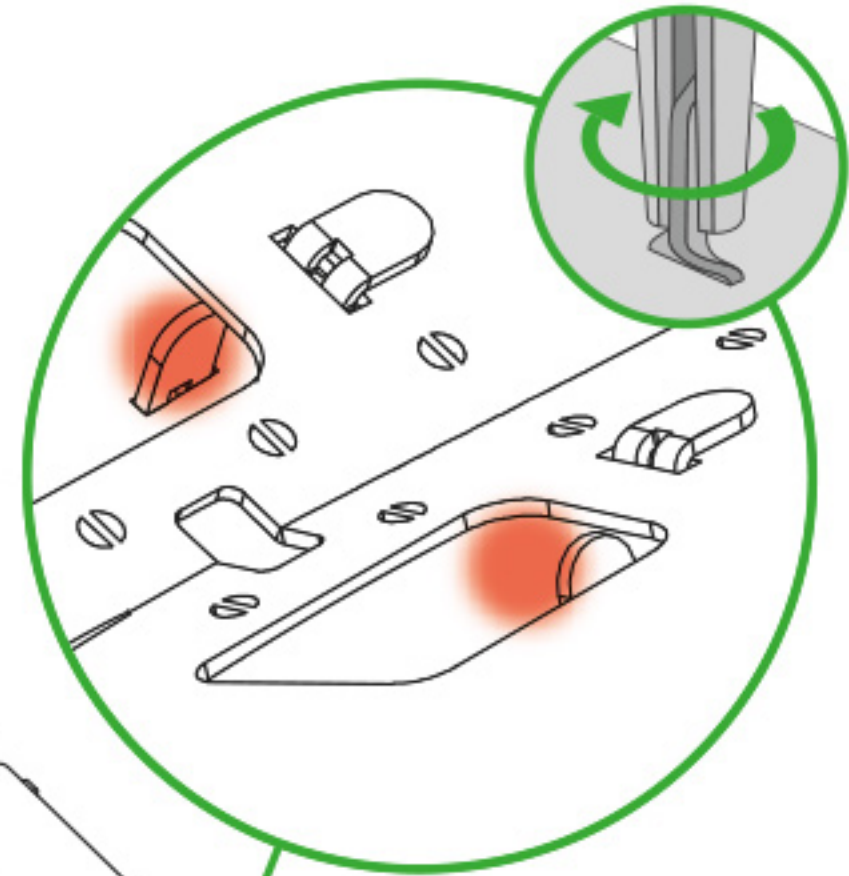
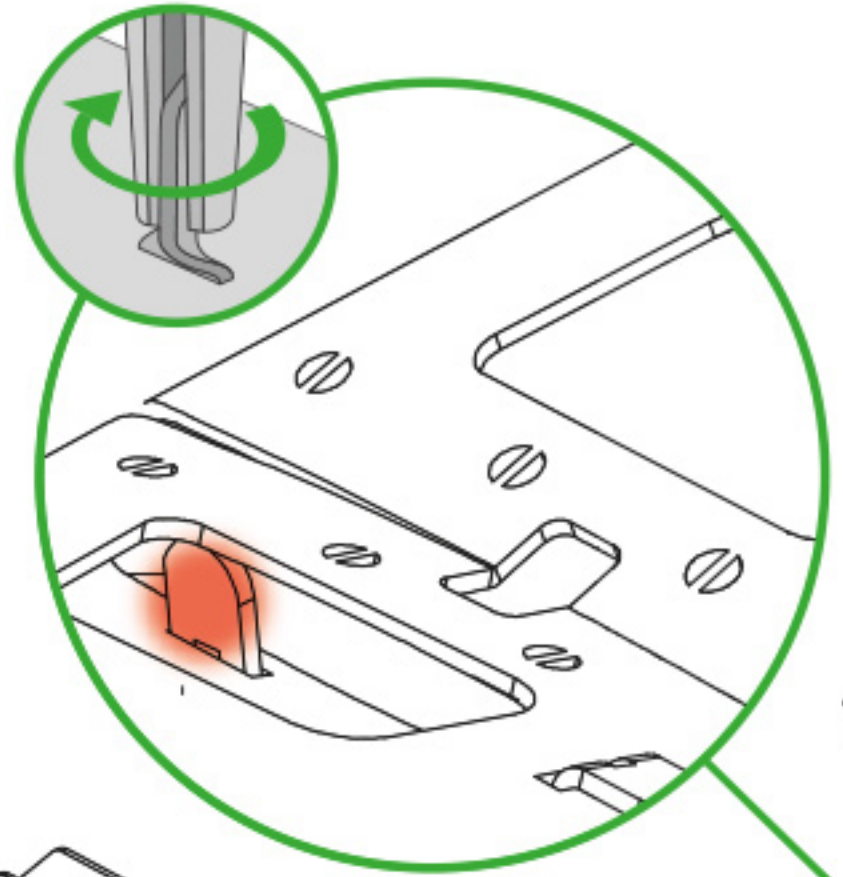
4.3



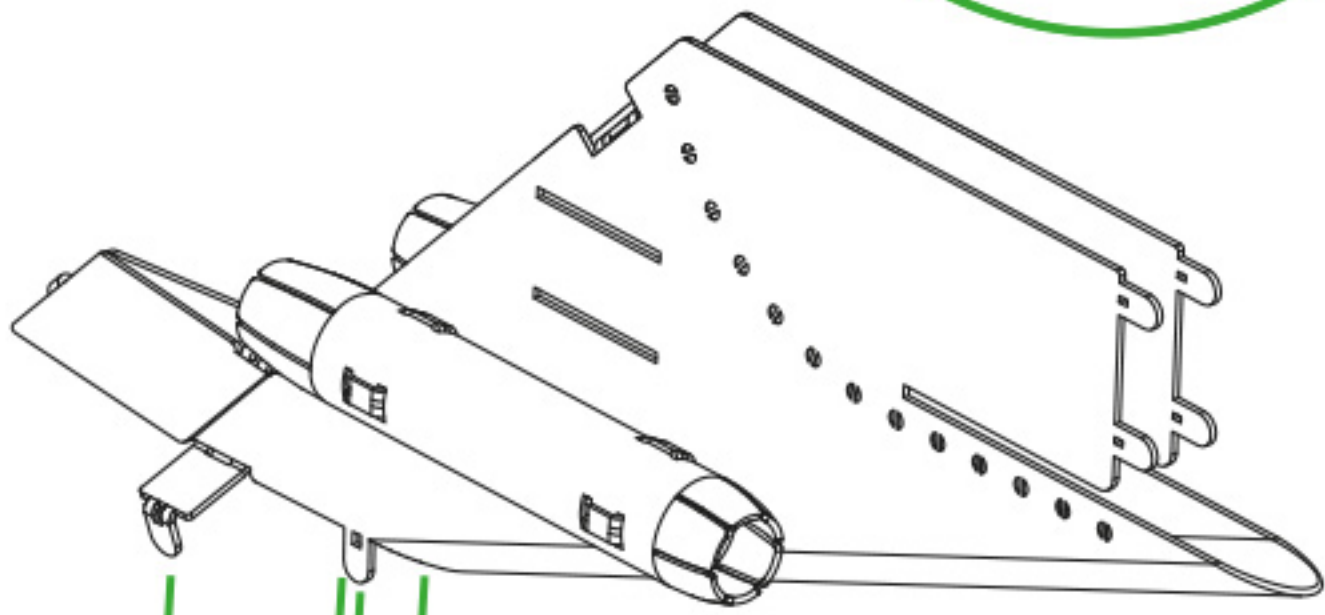




#3

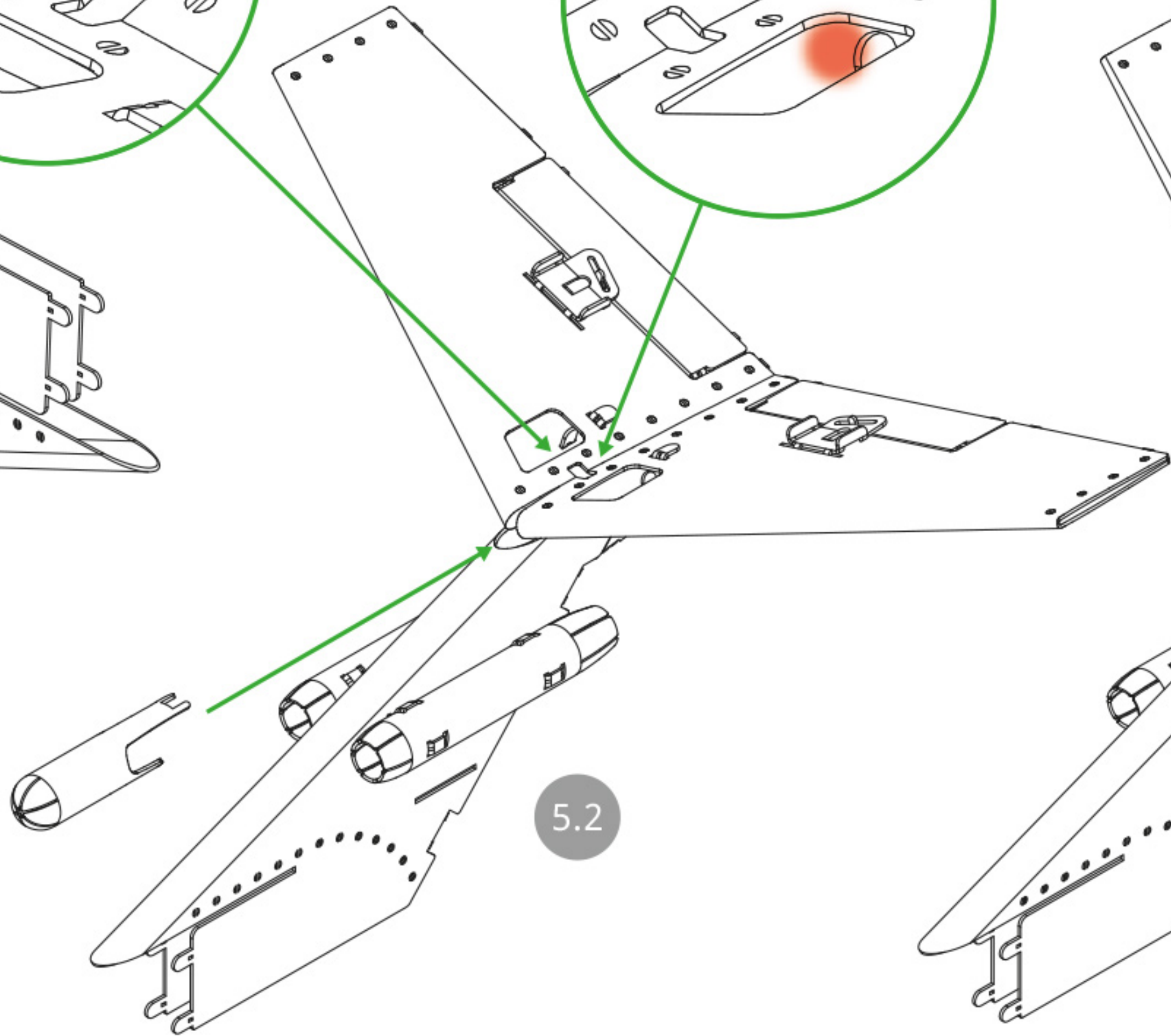


5.1

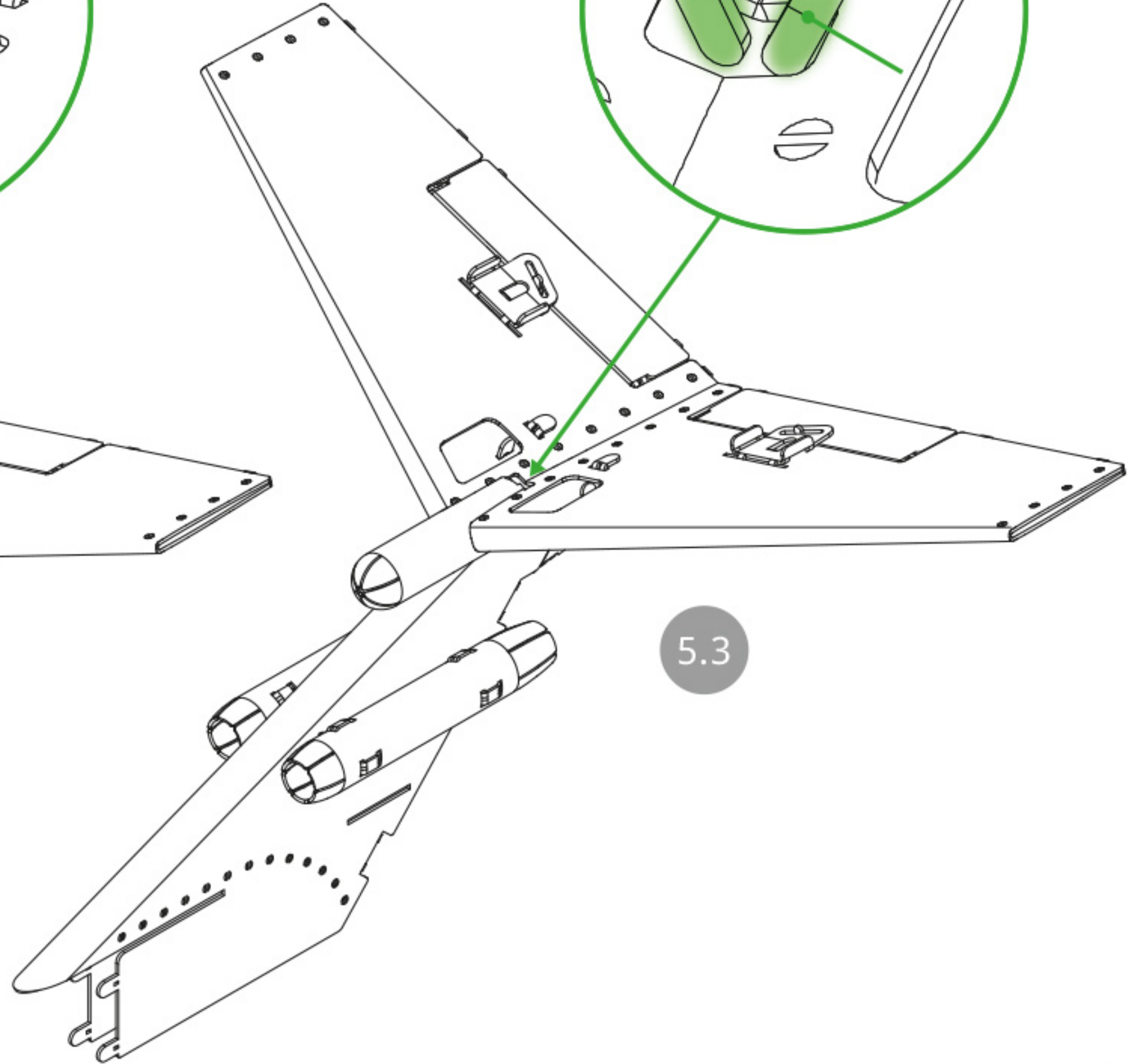


Assembly step 2

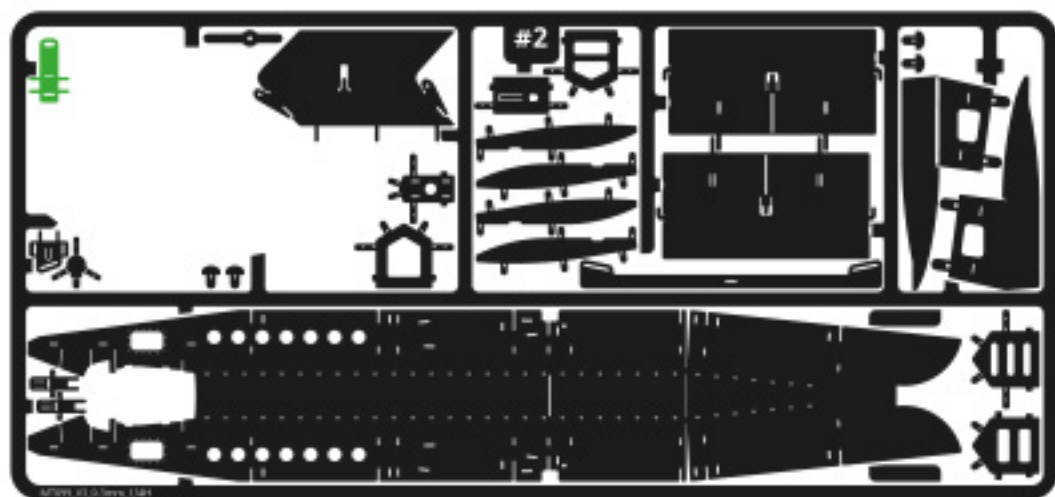
5.2



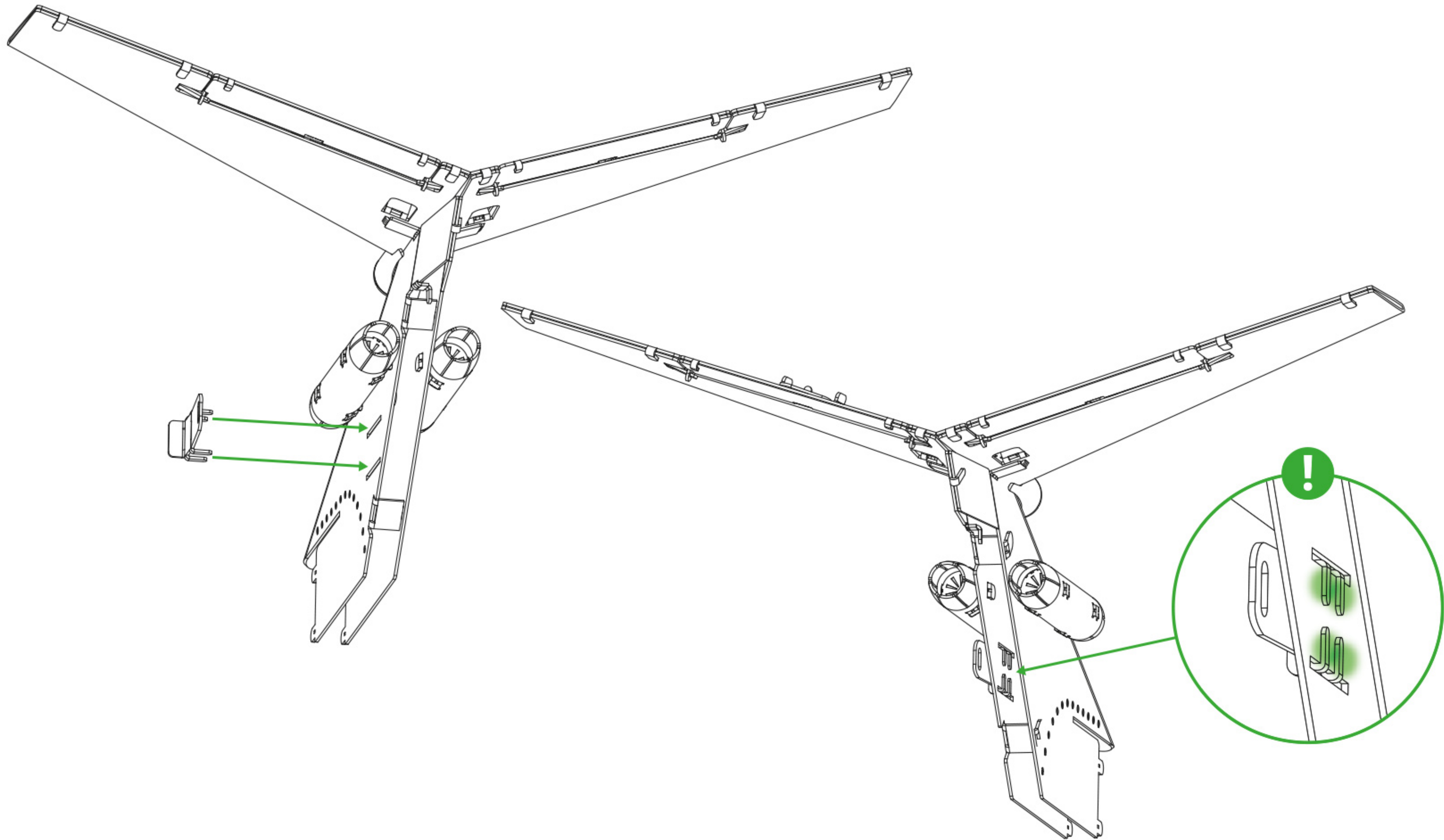
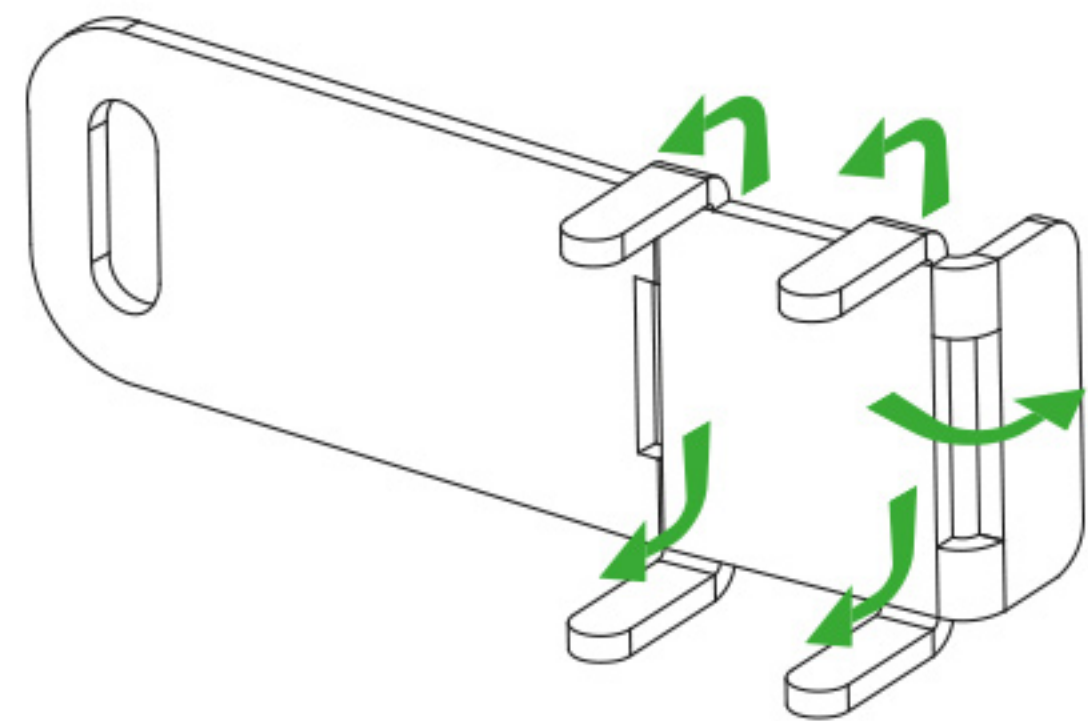
5.3



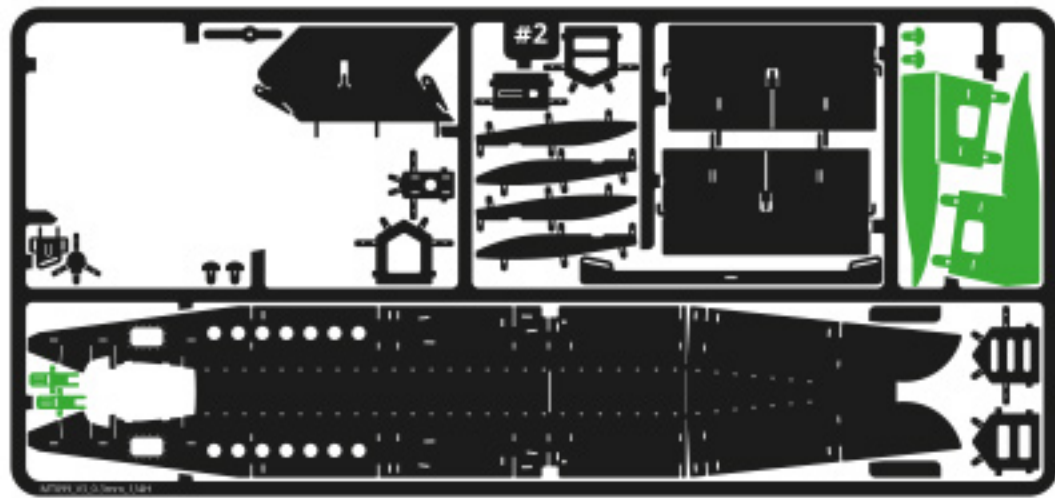




#2

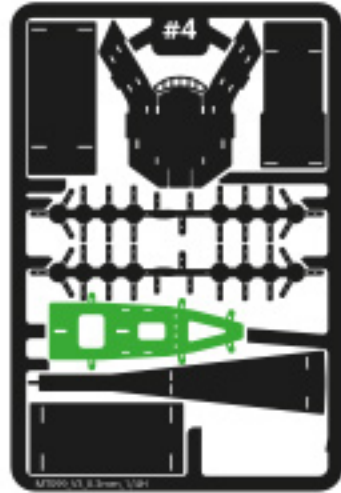
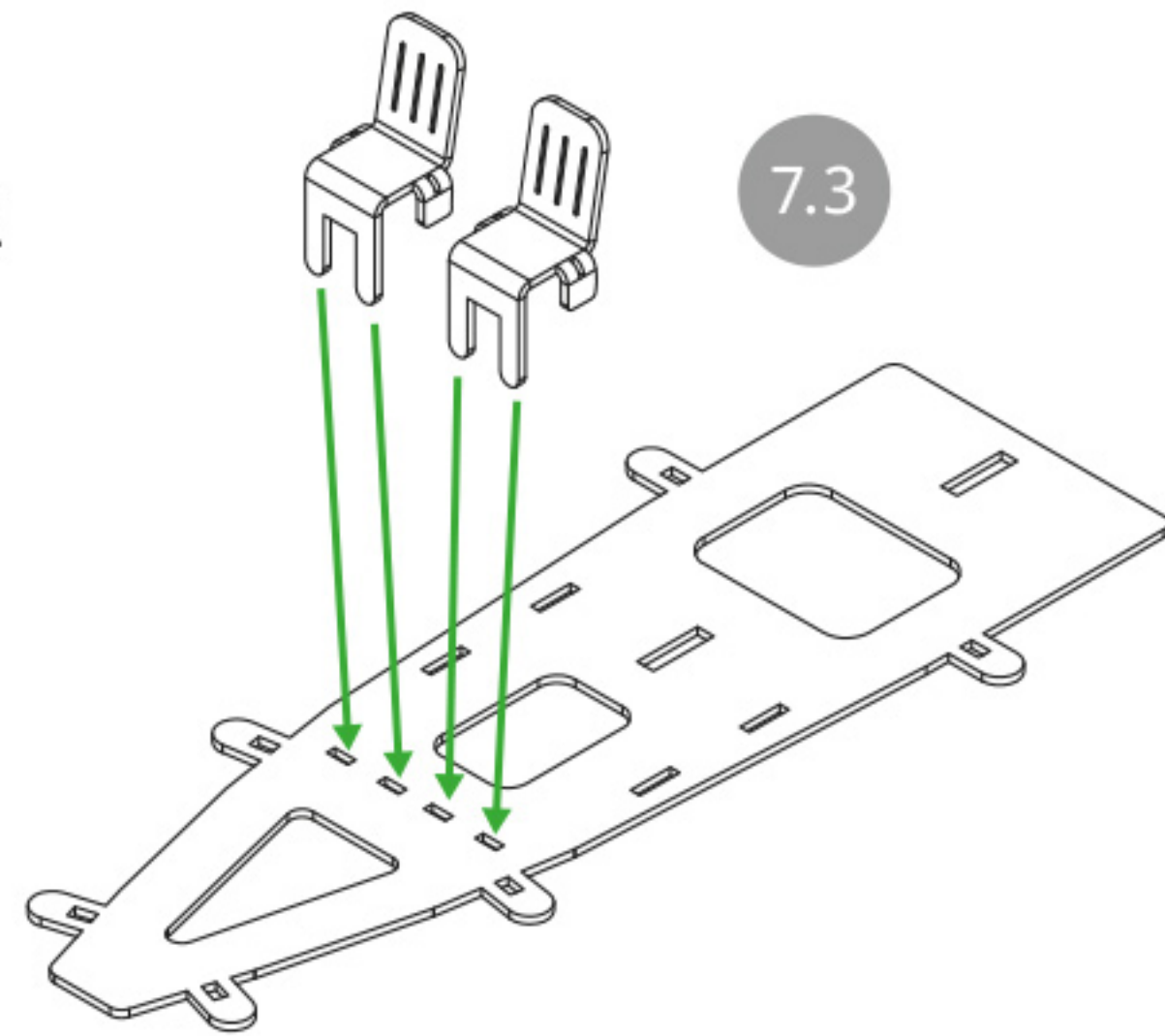






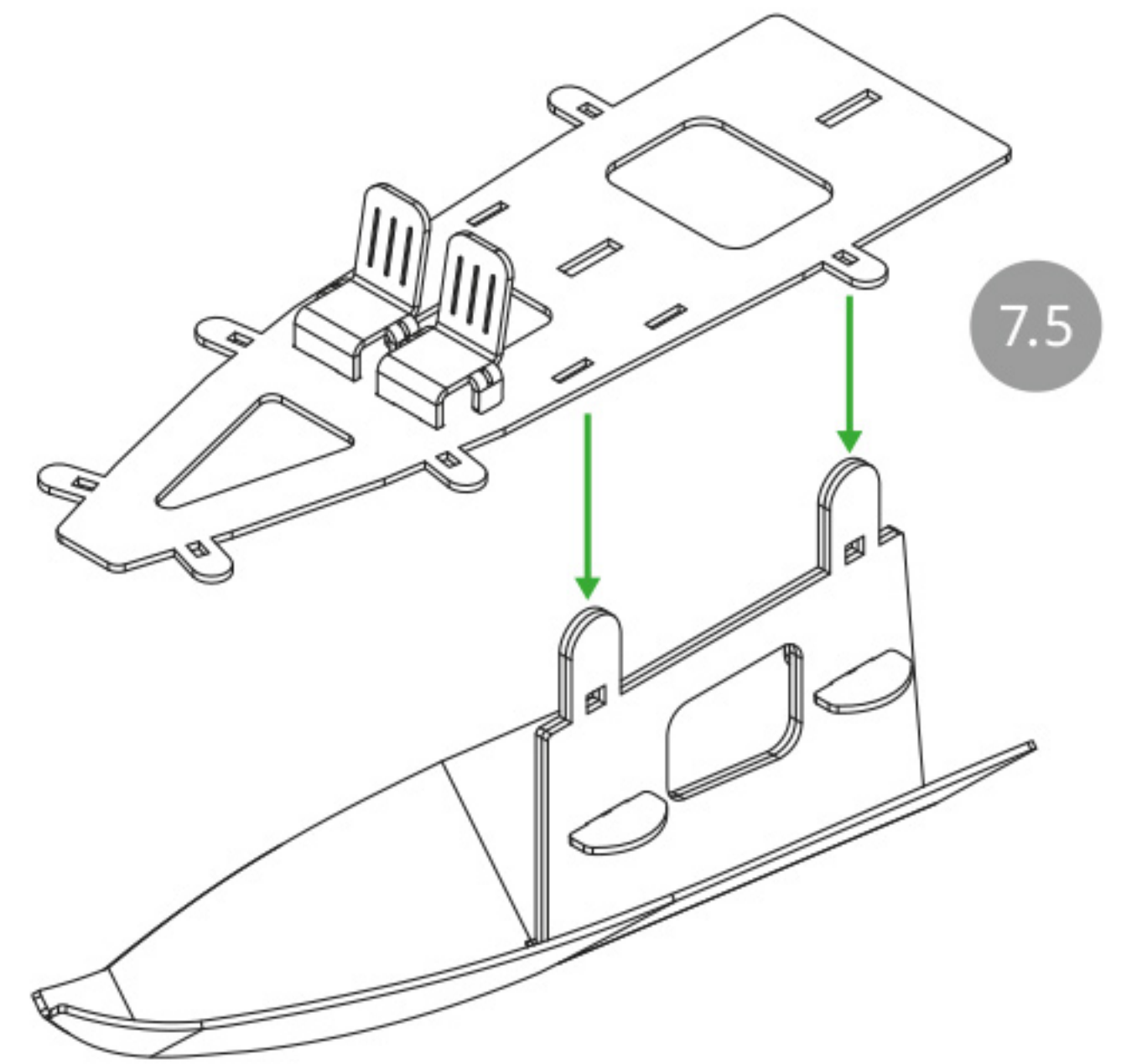
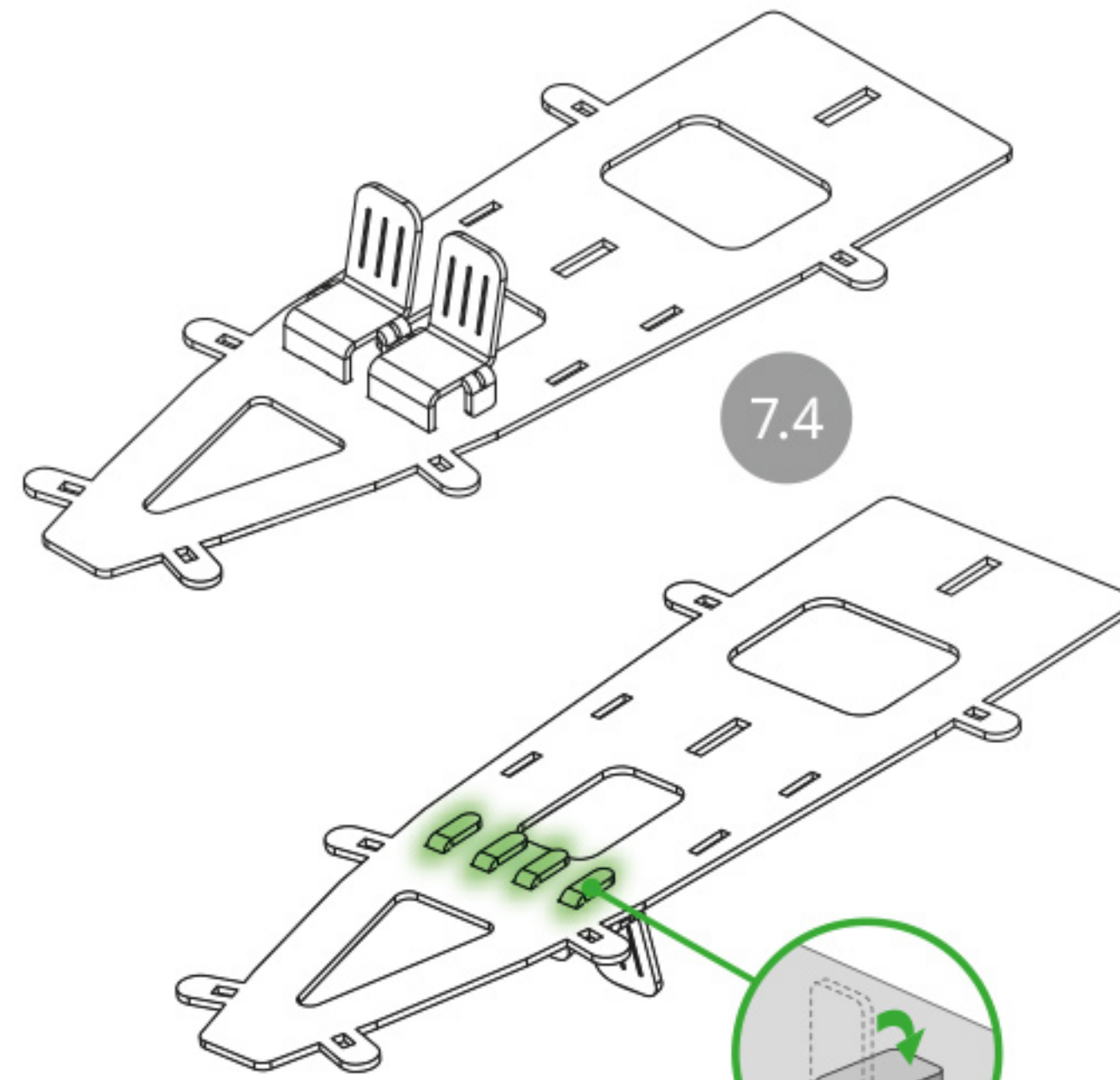
#2

7.3

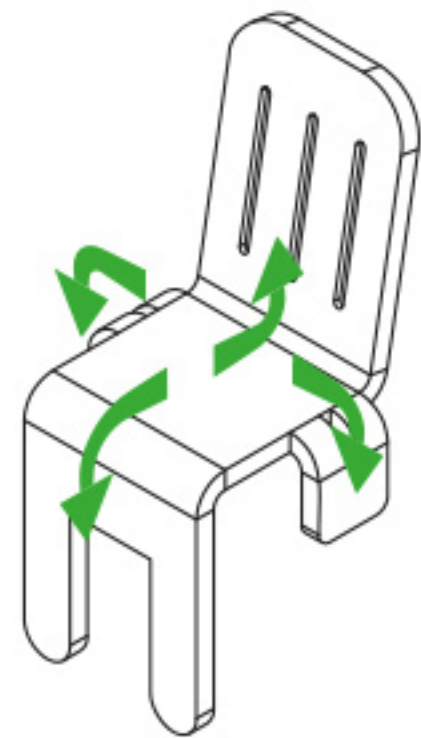


#4

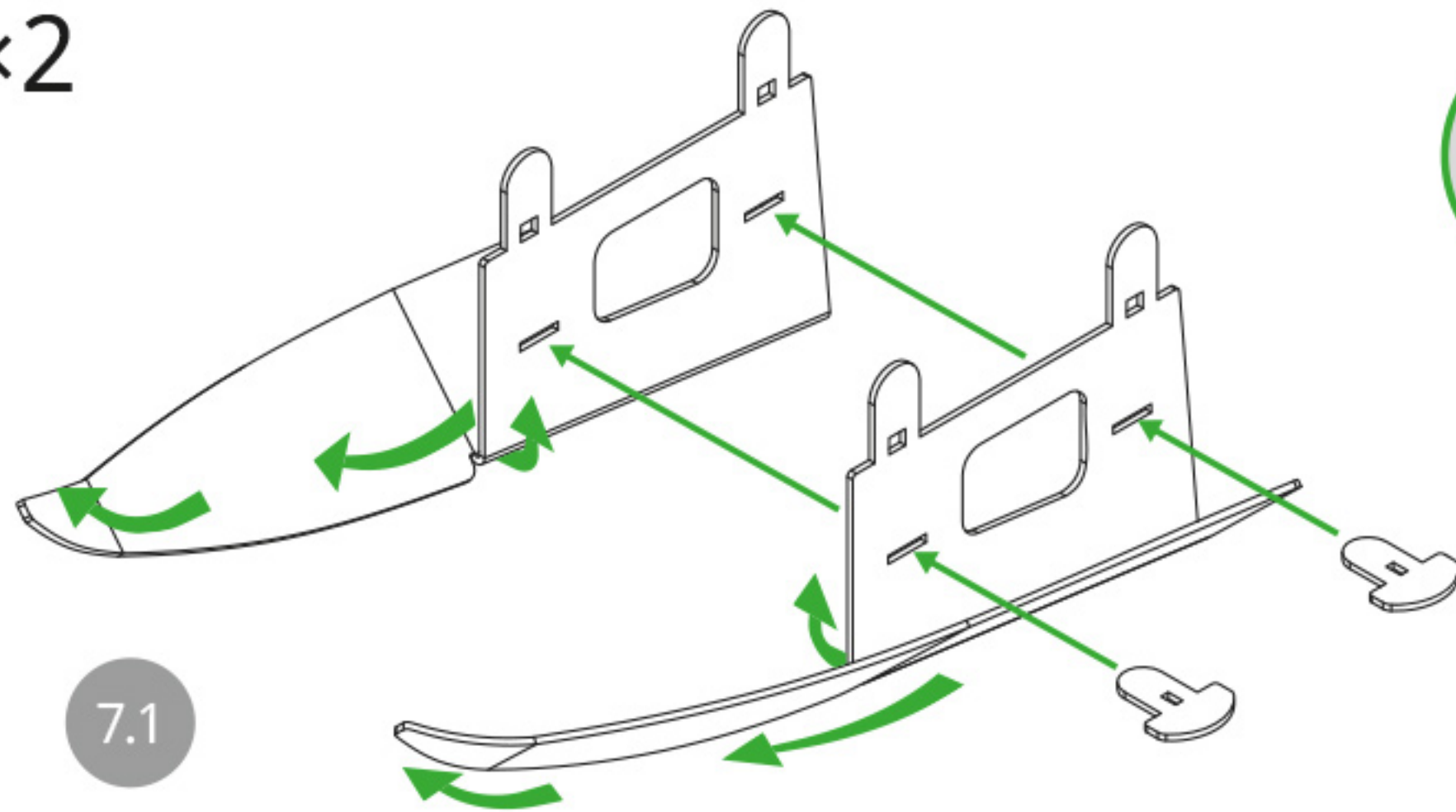
7.4



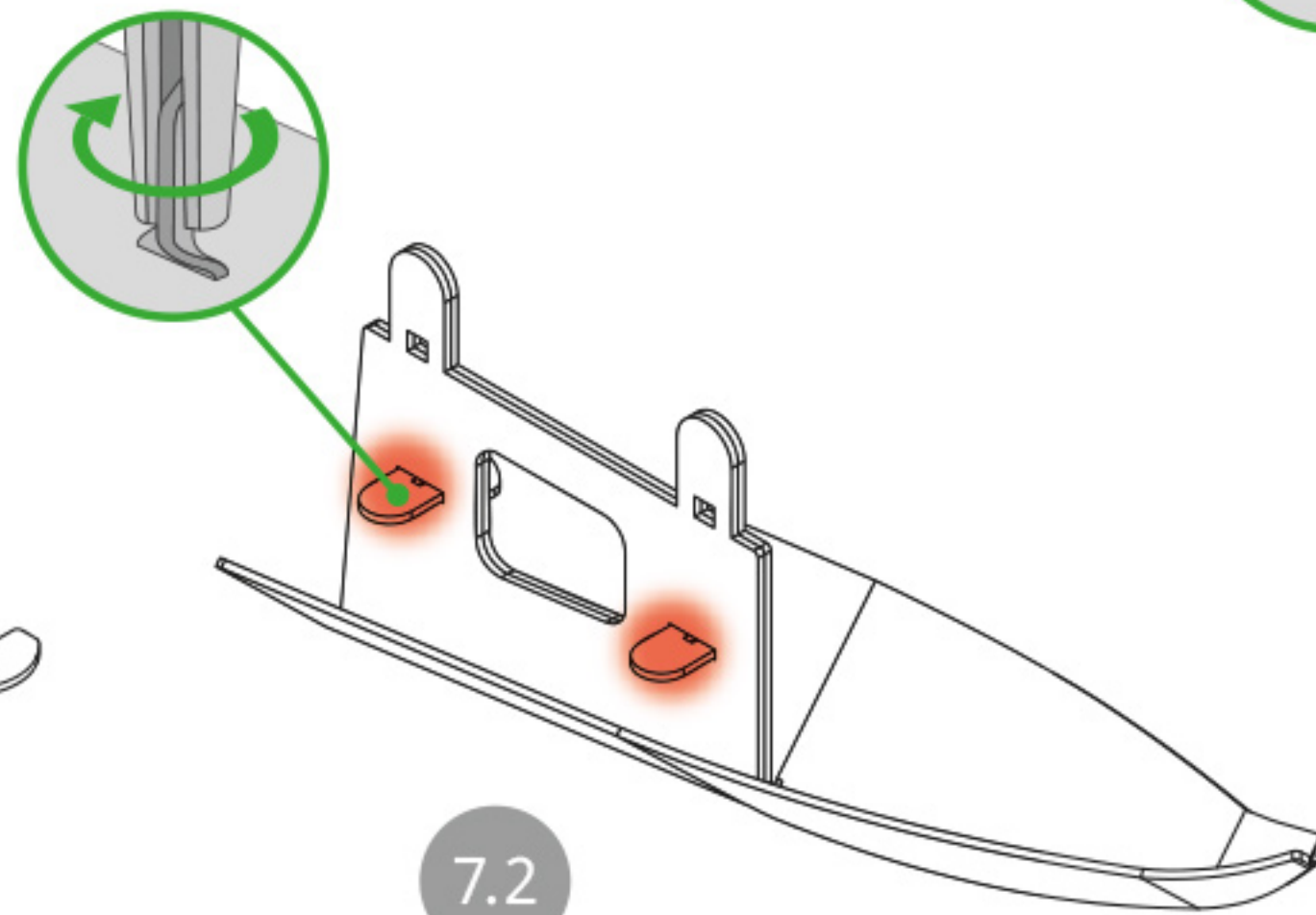
7.5



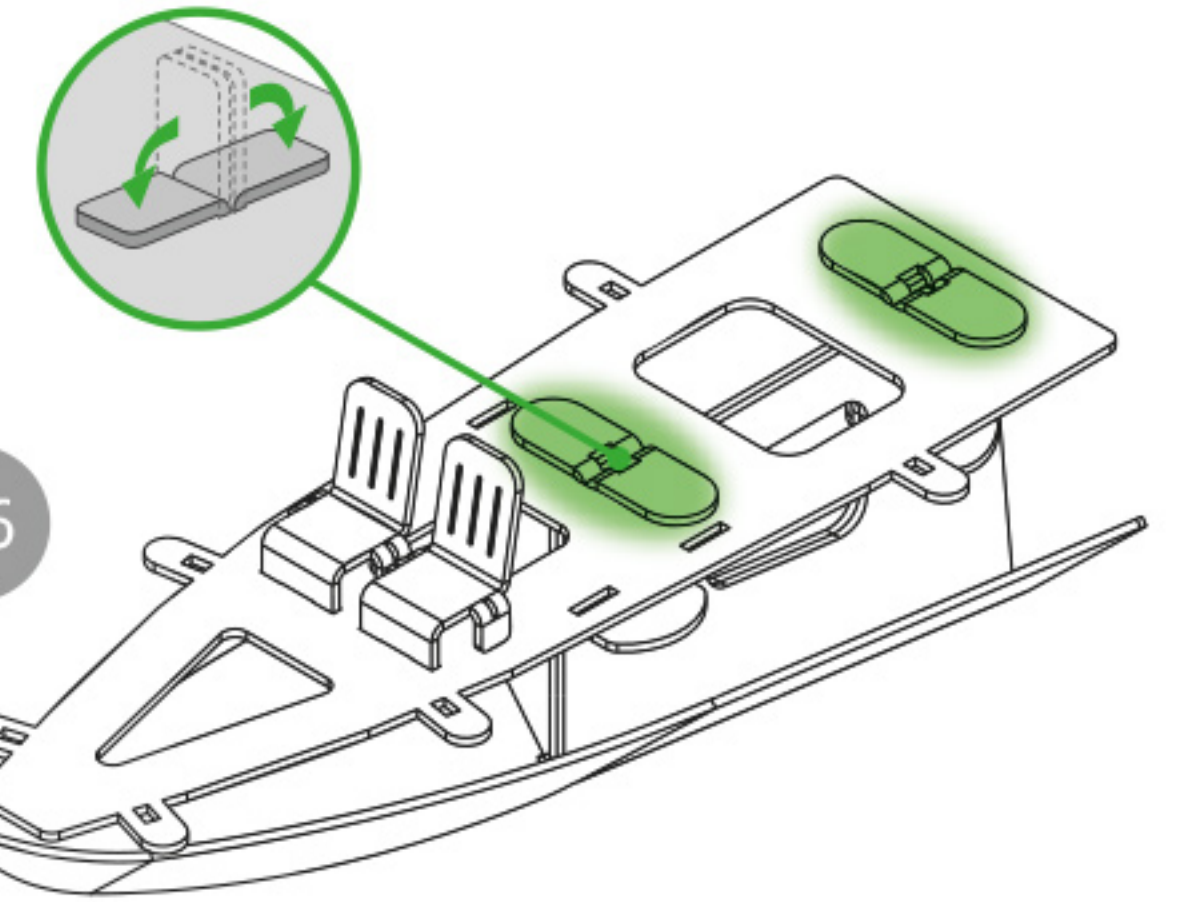
x2



7.1

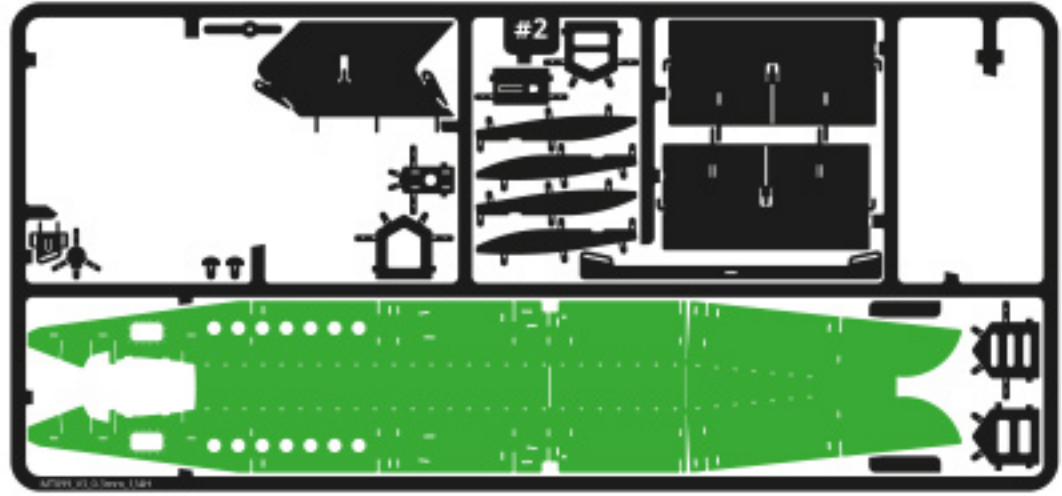


7.2

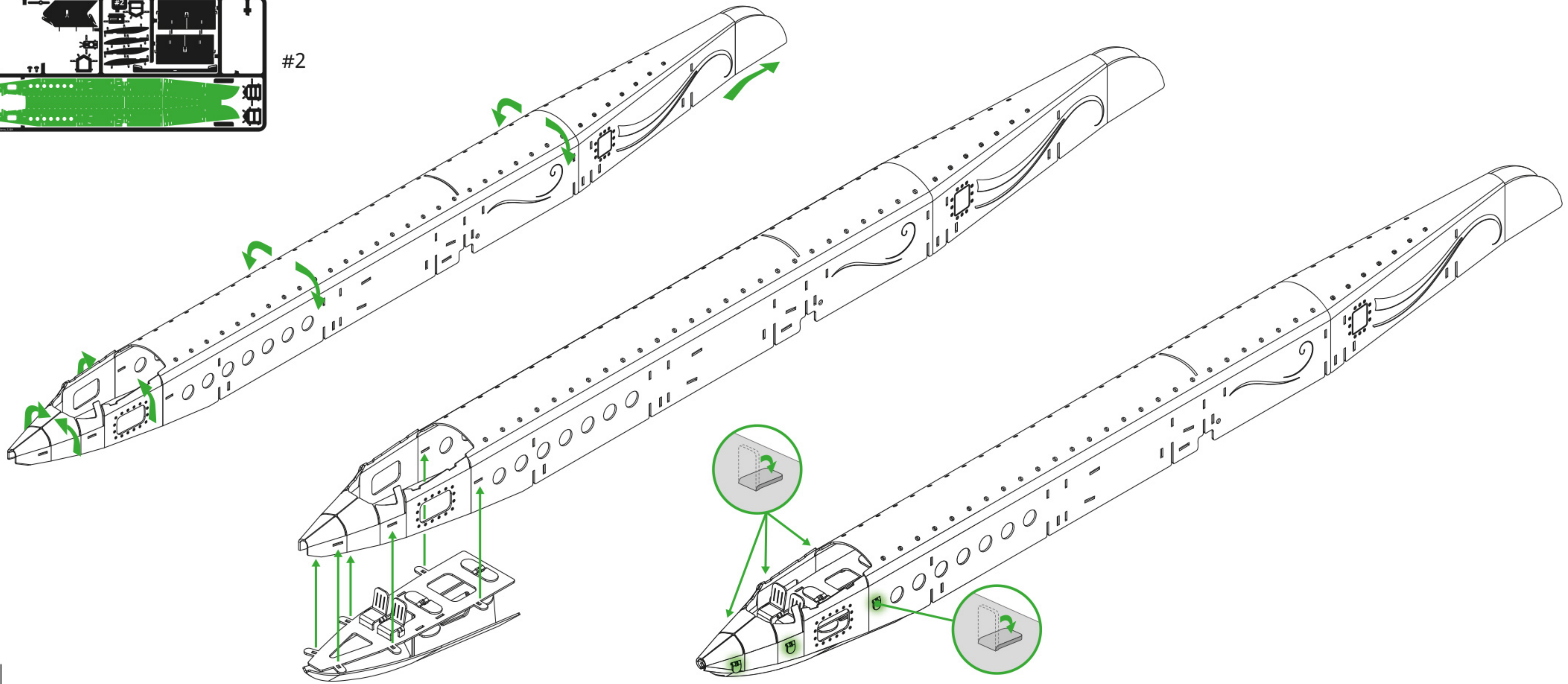


7.6

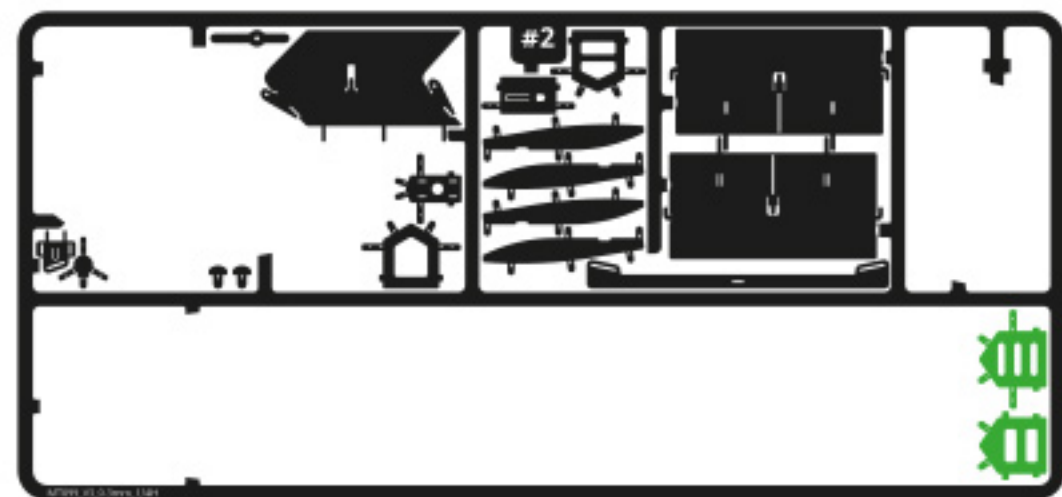




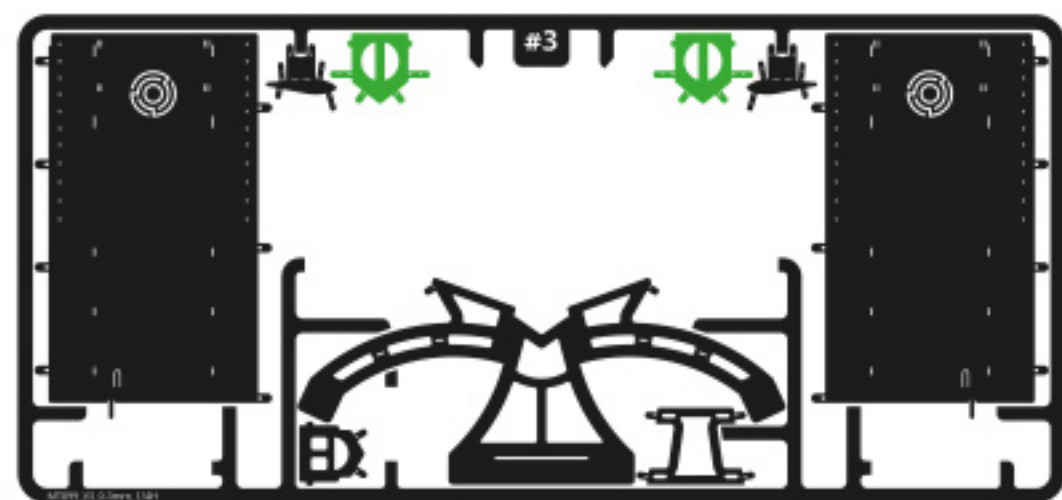
#2



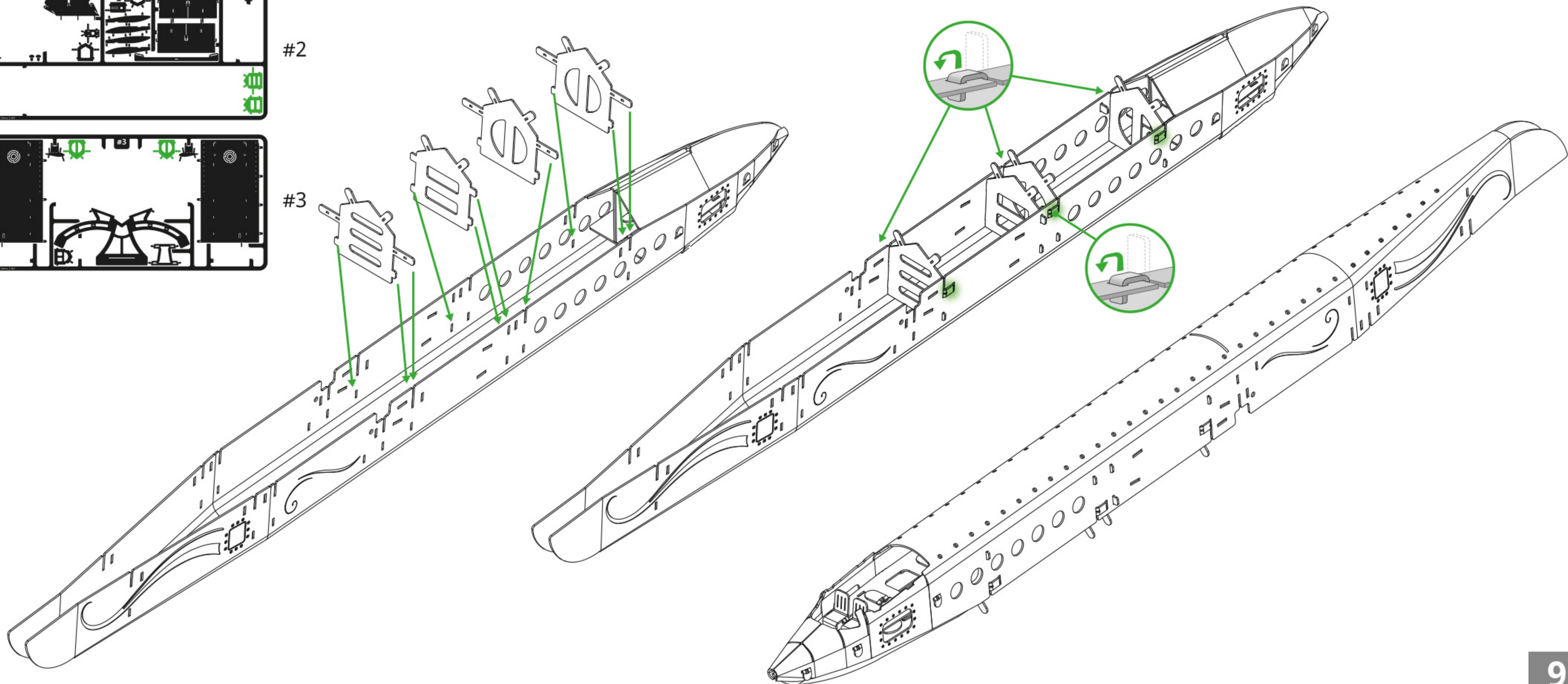




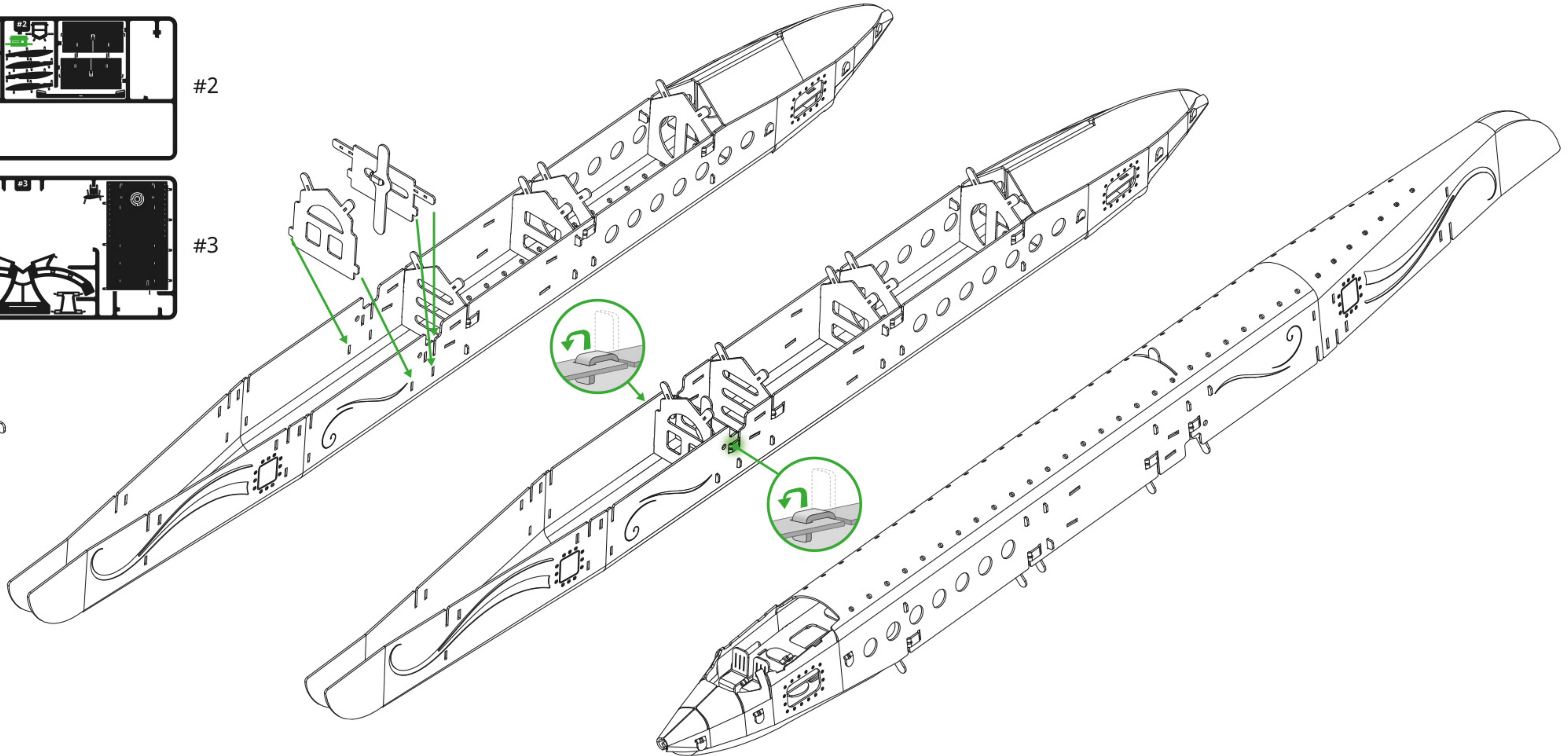
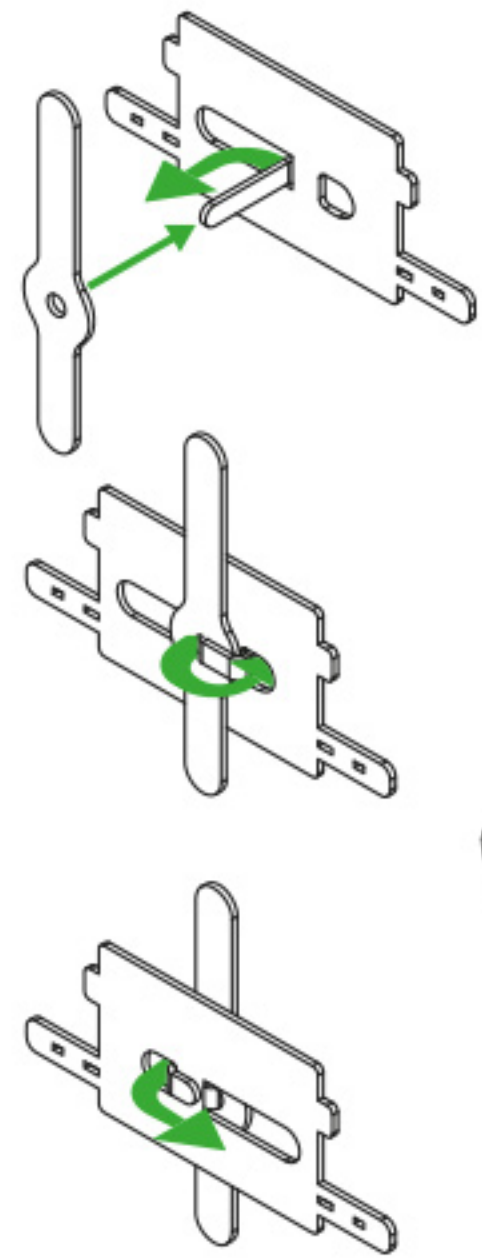
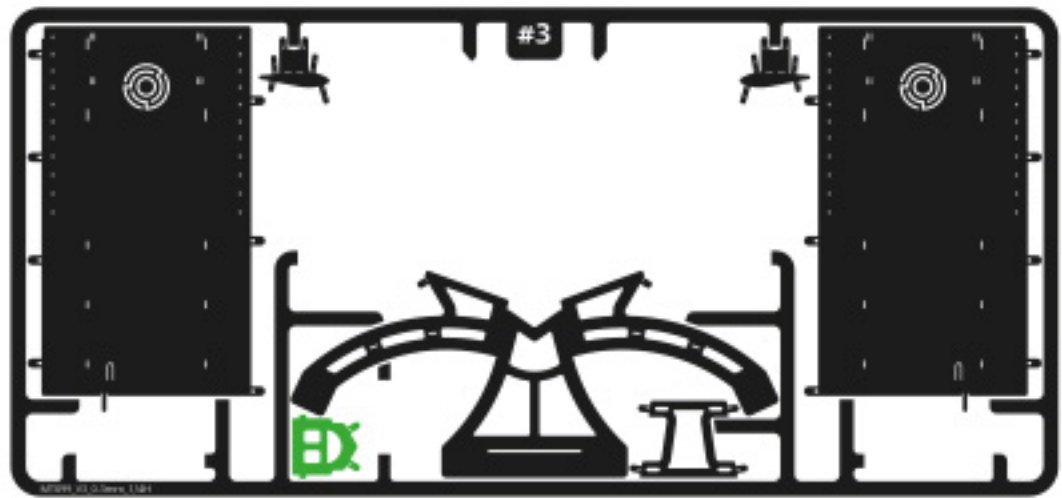
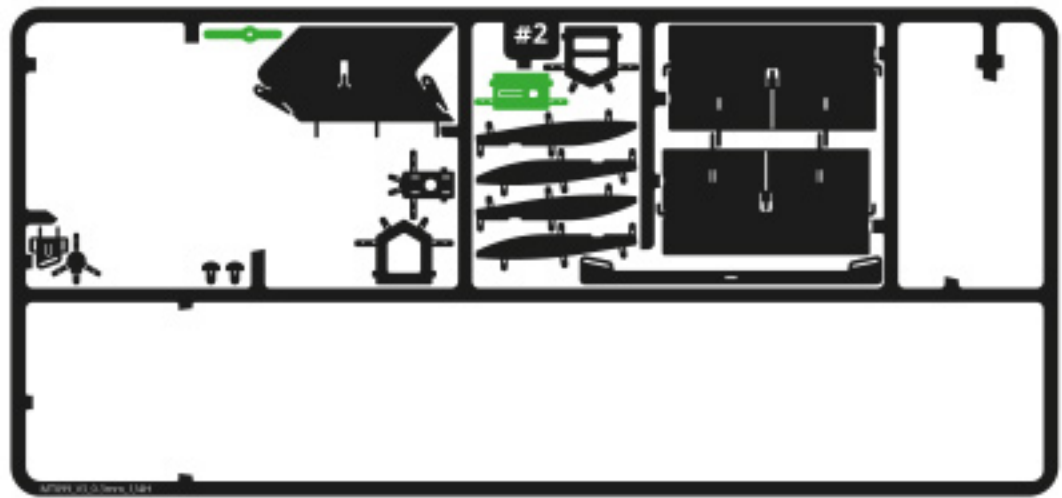
#2



#3



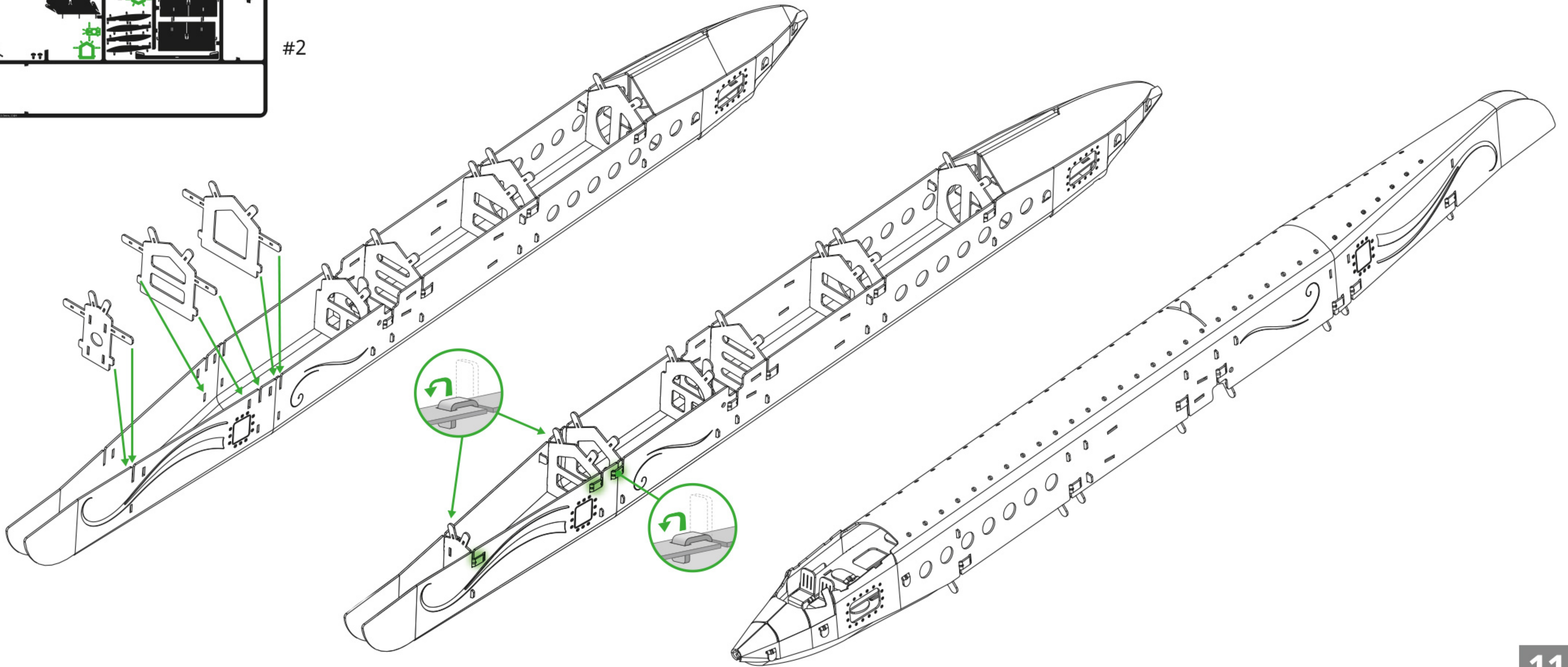




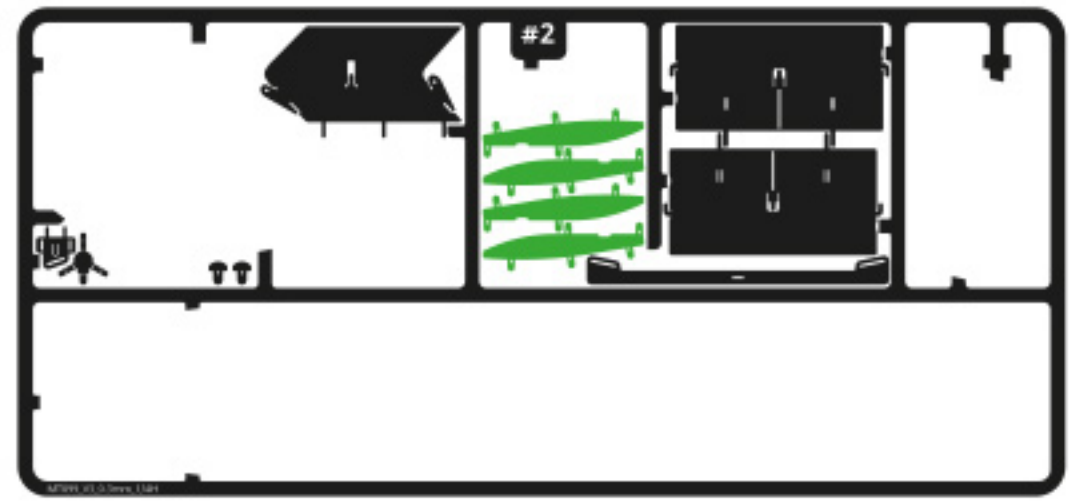




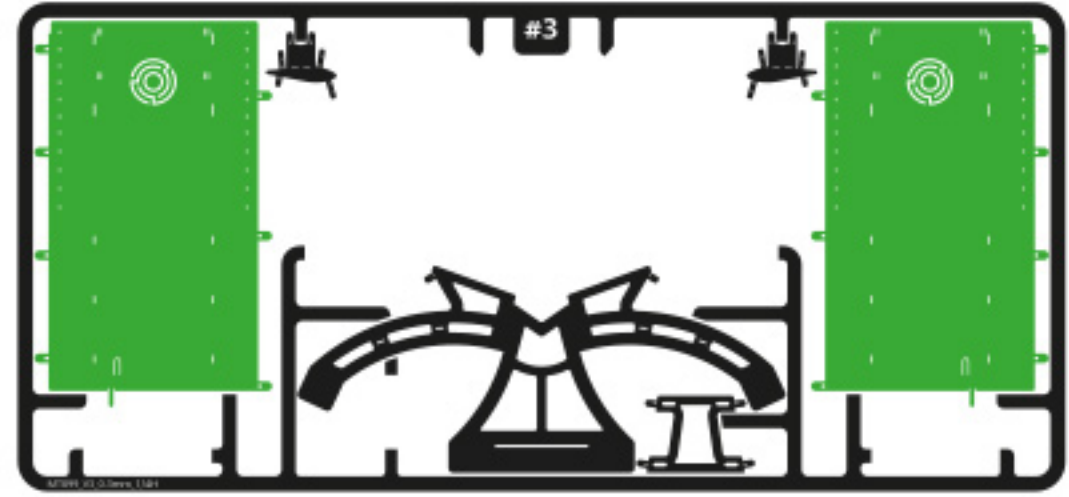
#2



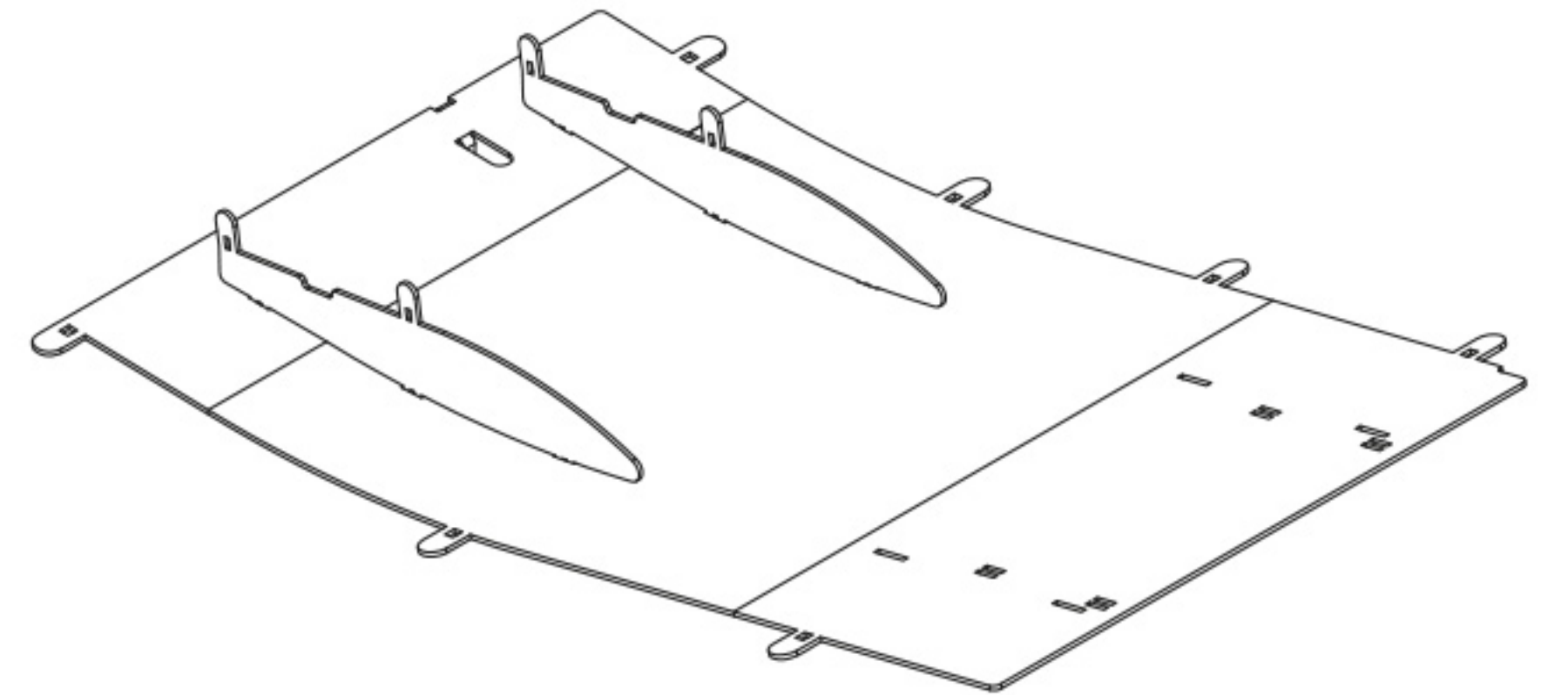
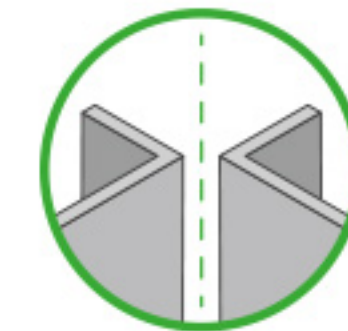
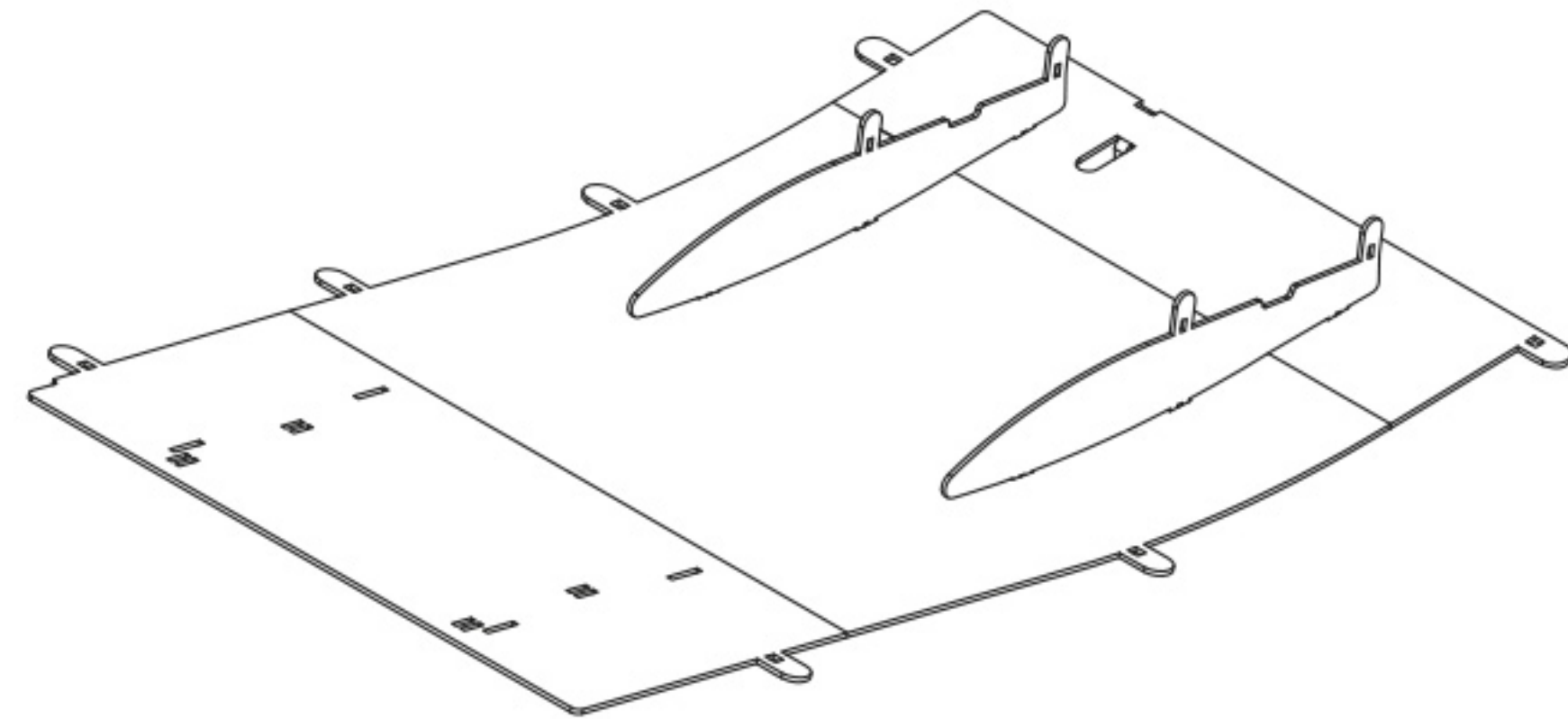
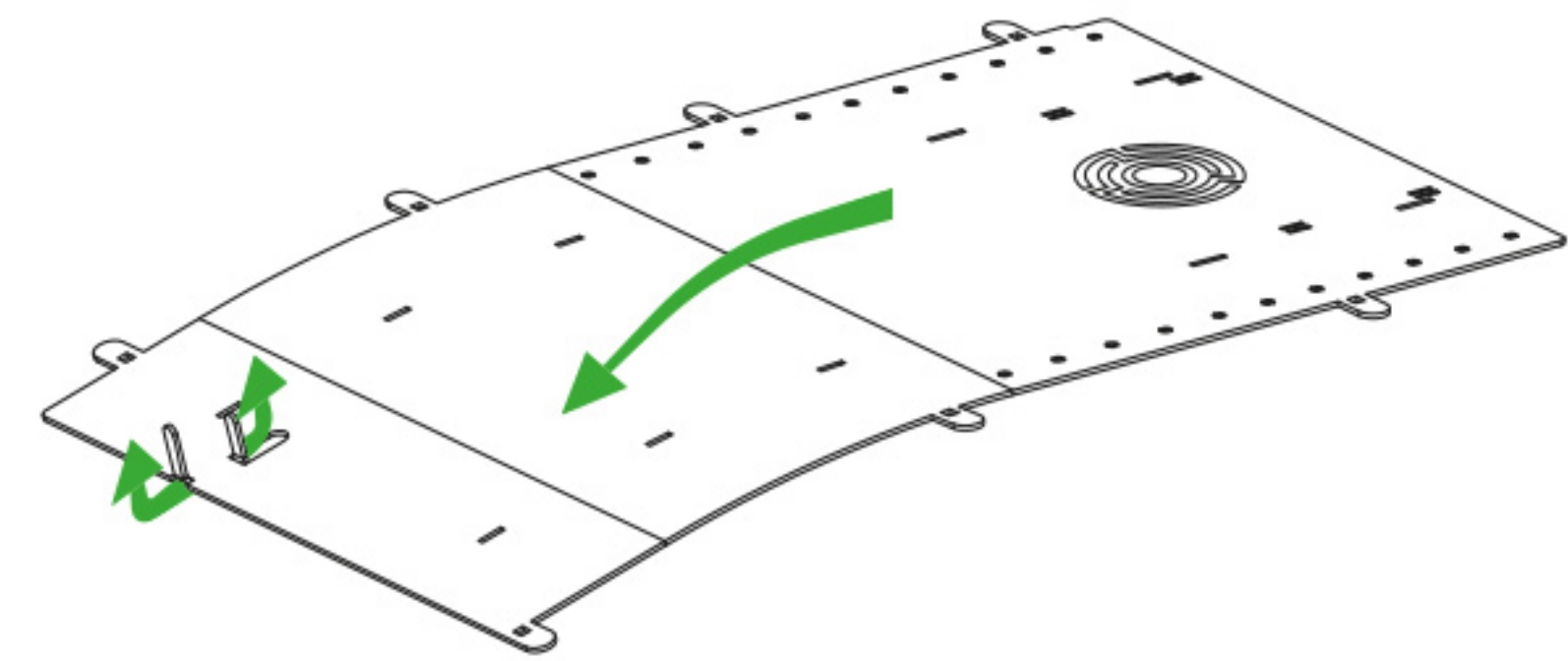
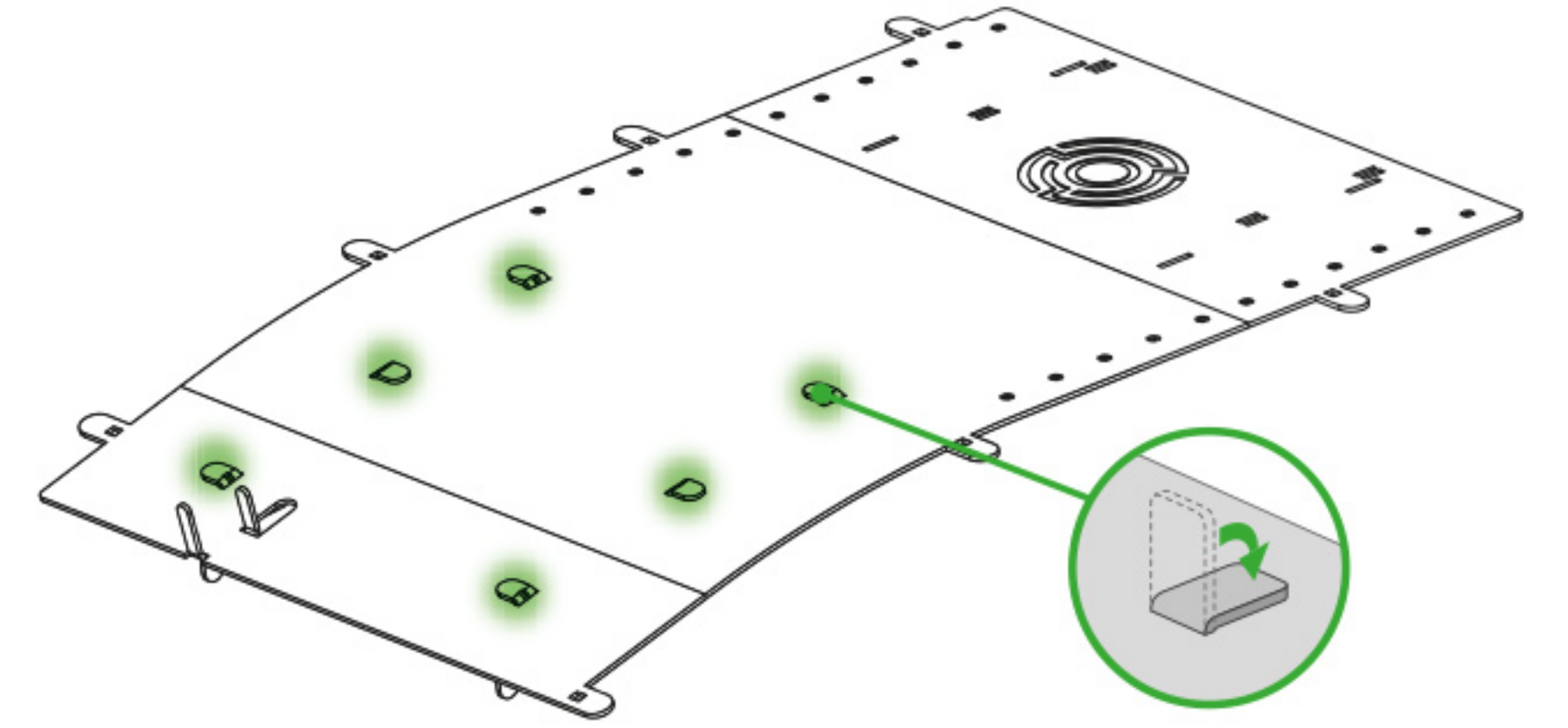
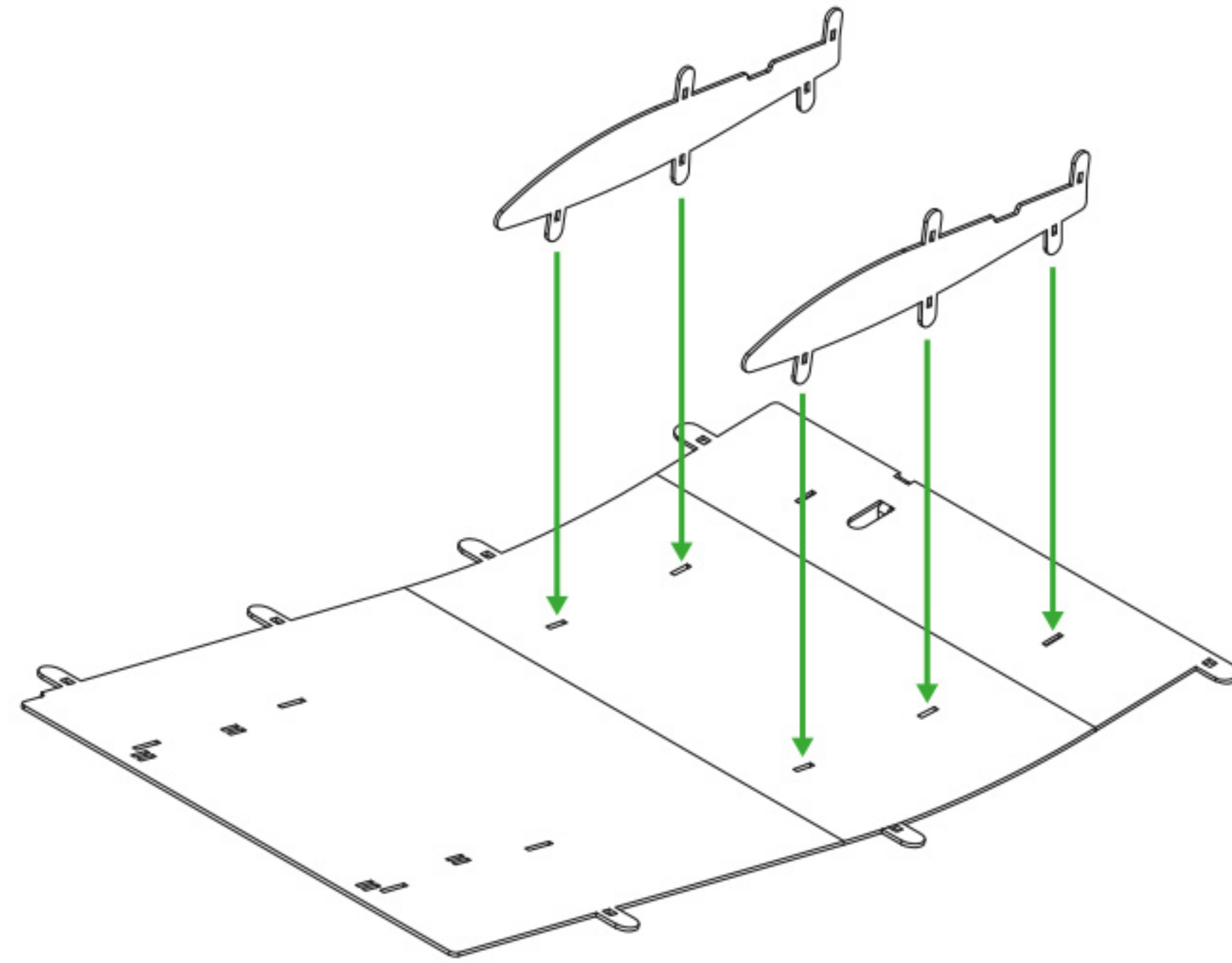




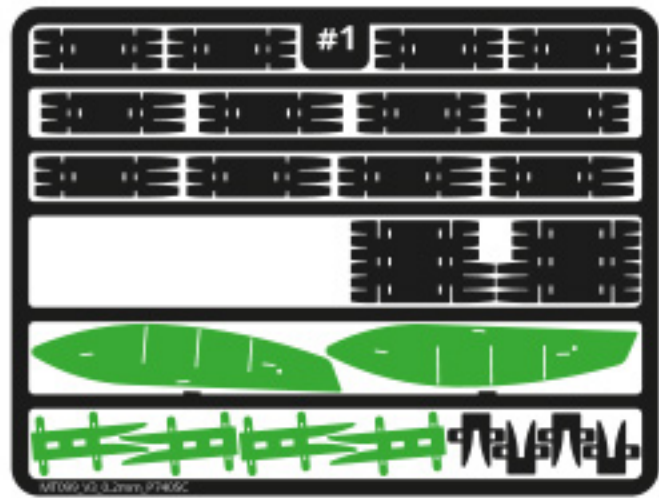
#2



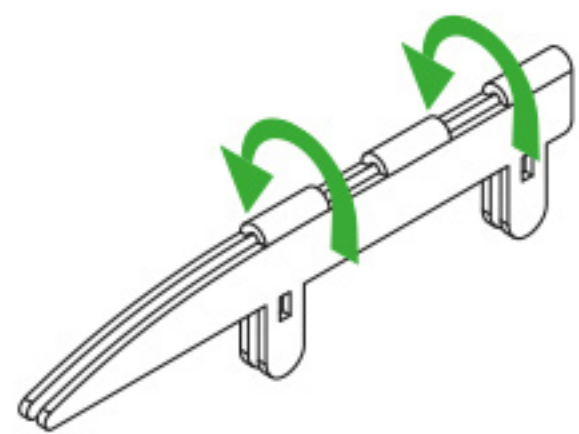
#3





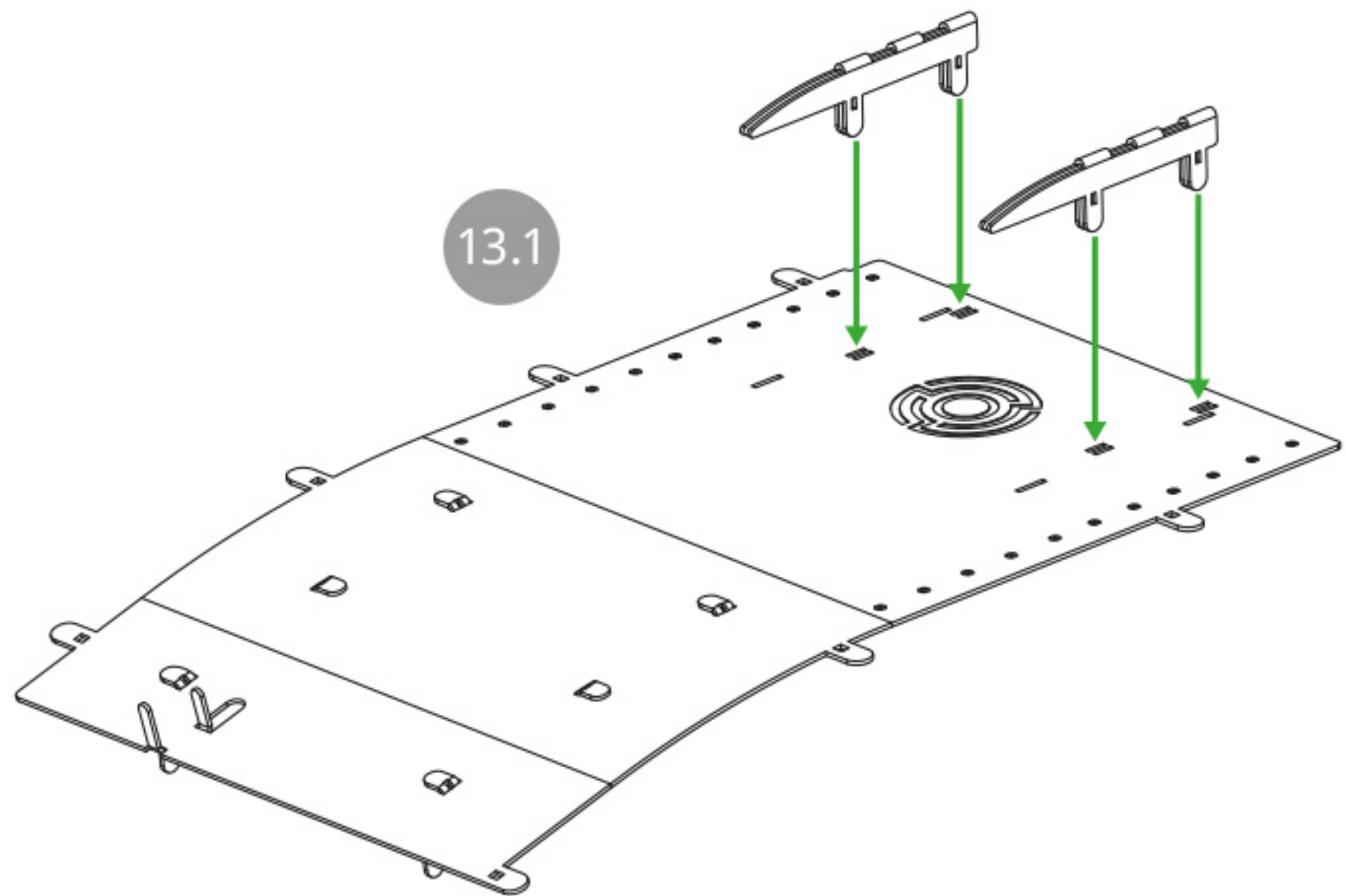


#1

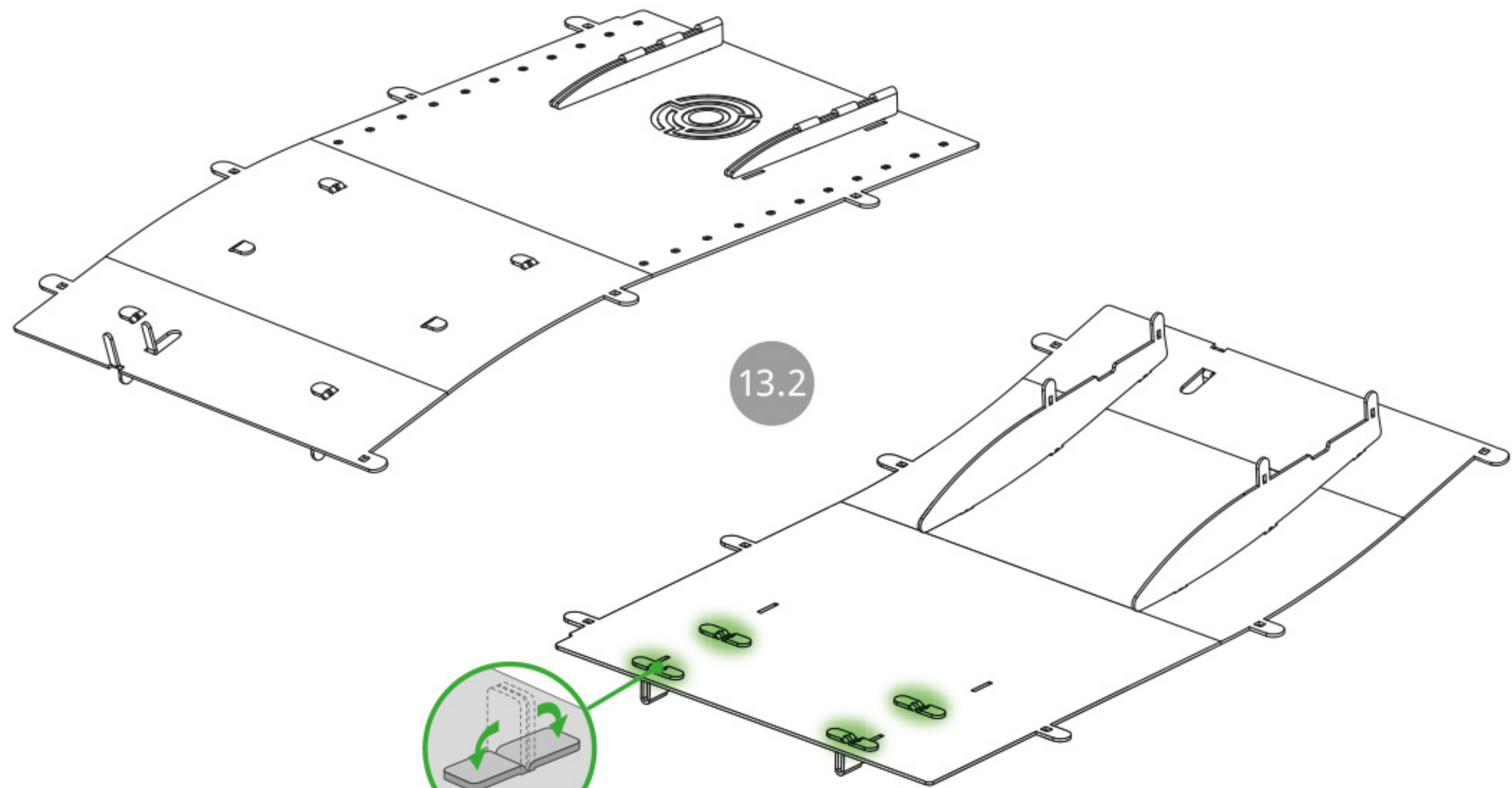


x4

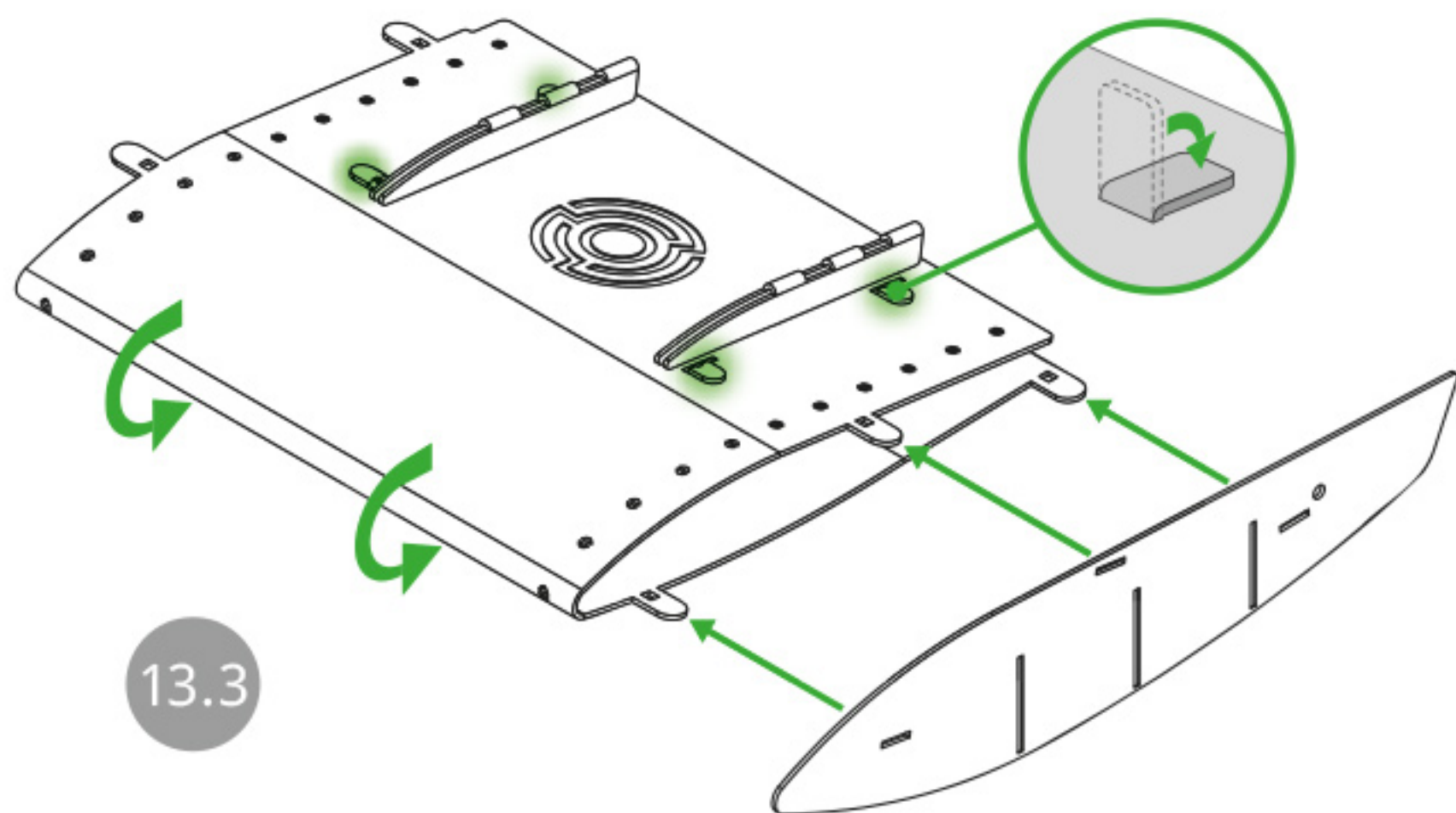
13.1



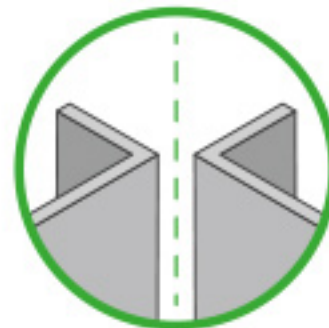
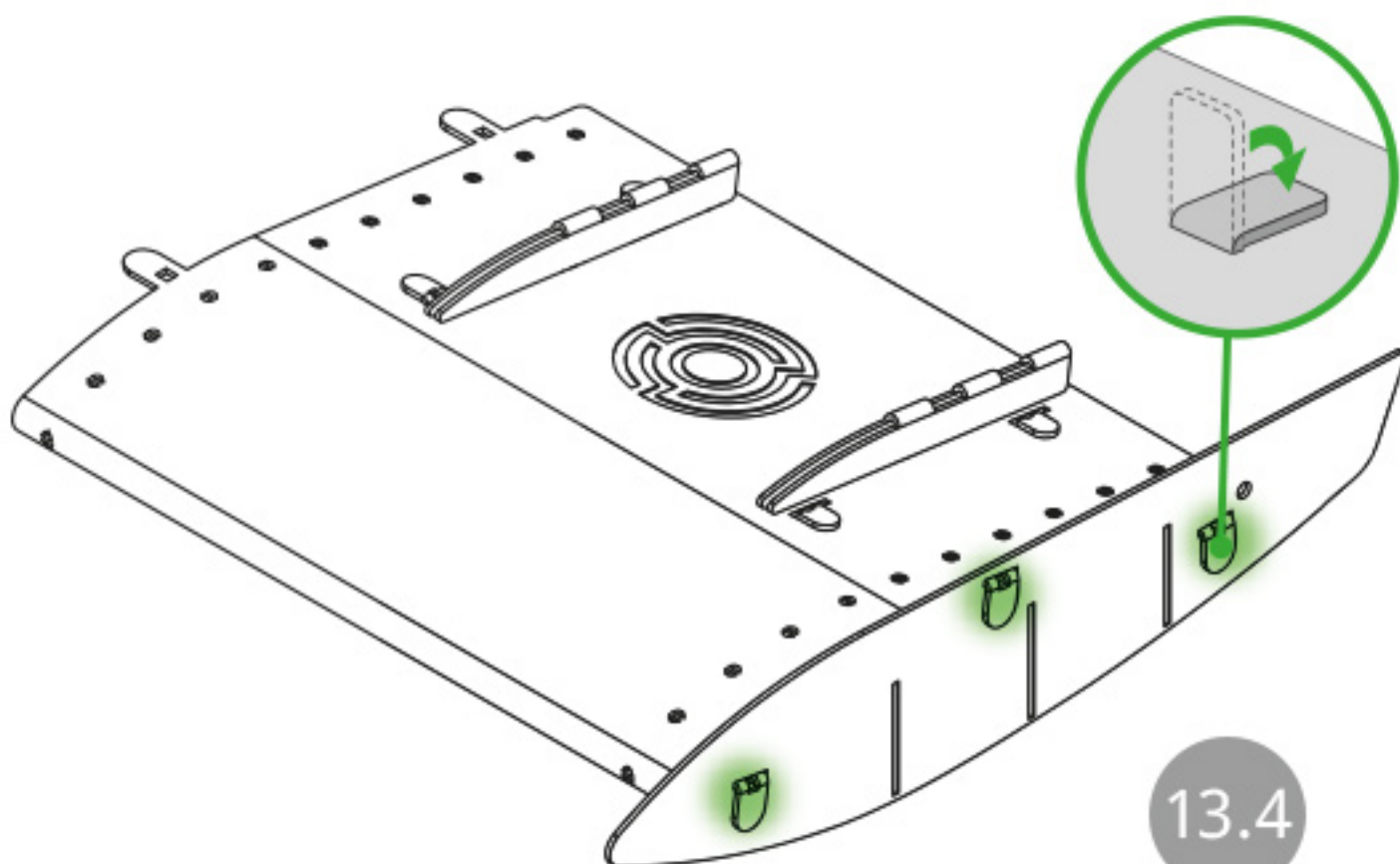
13.2



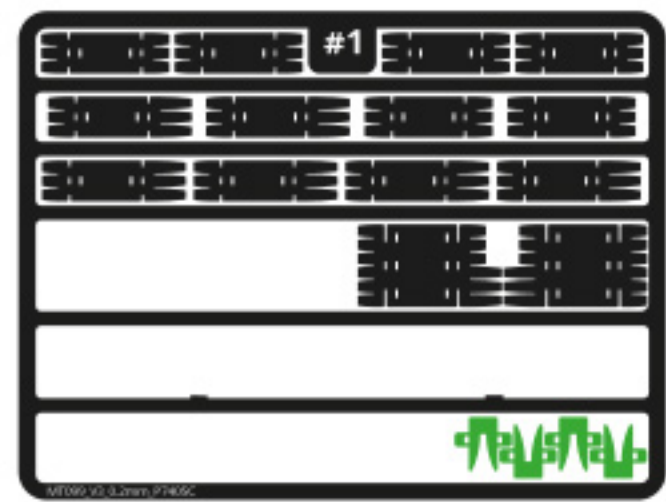
13.3



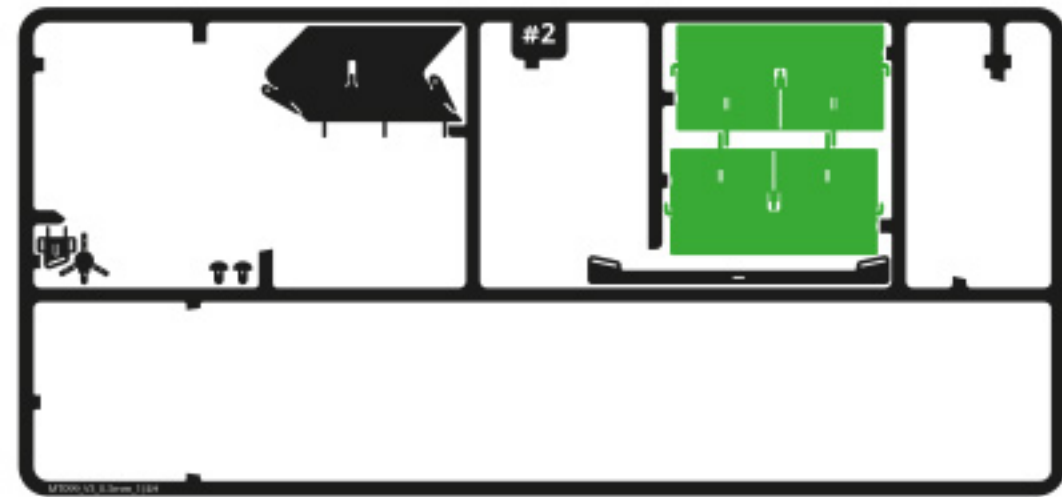
13.4



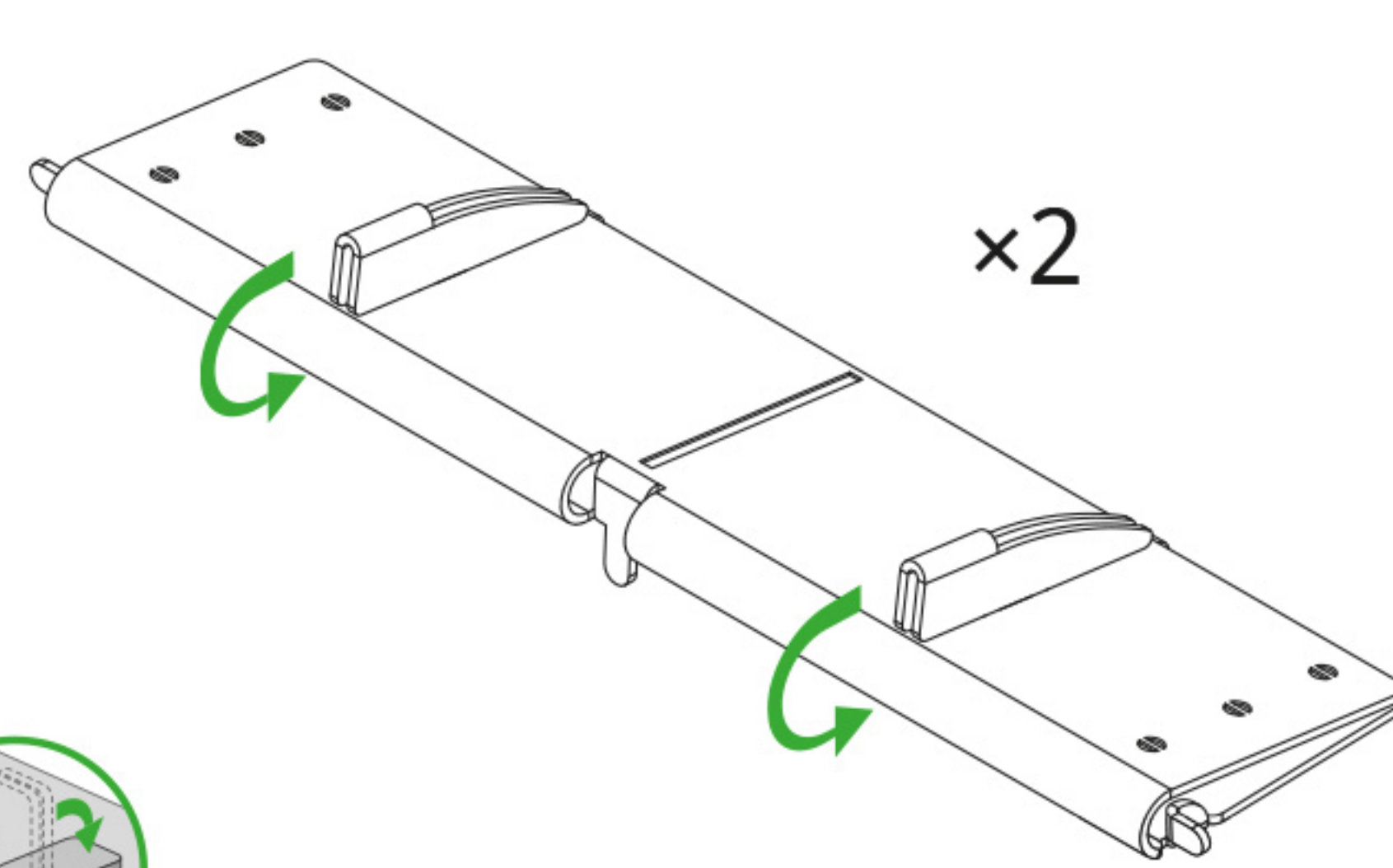
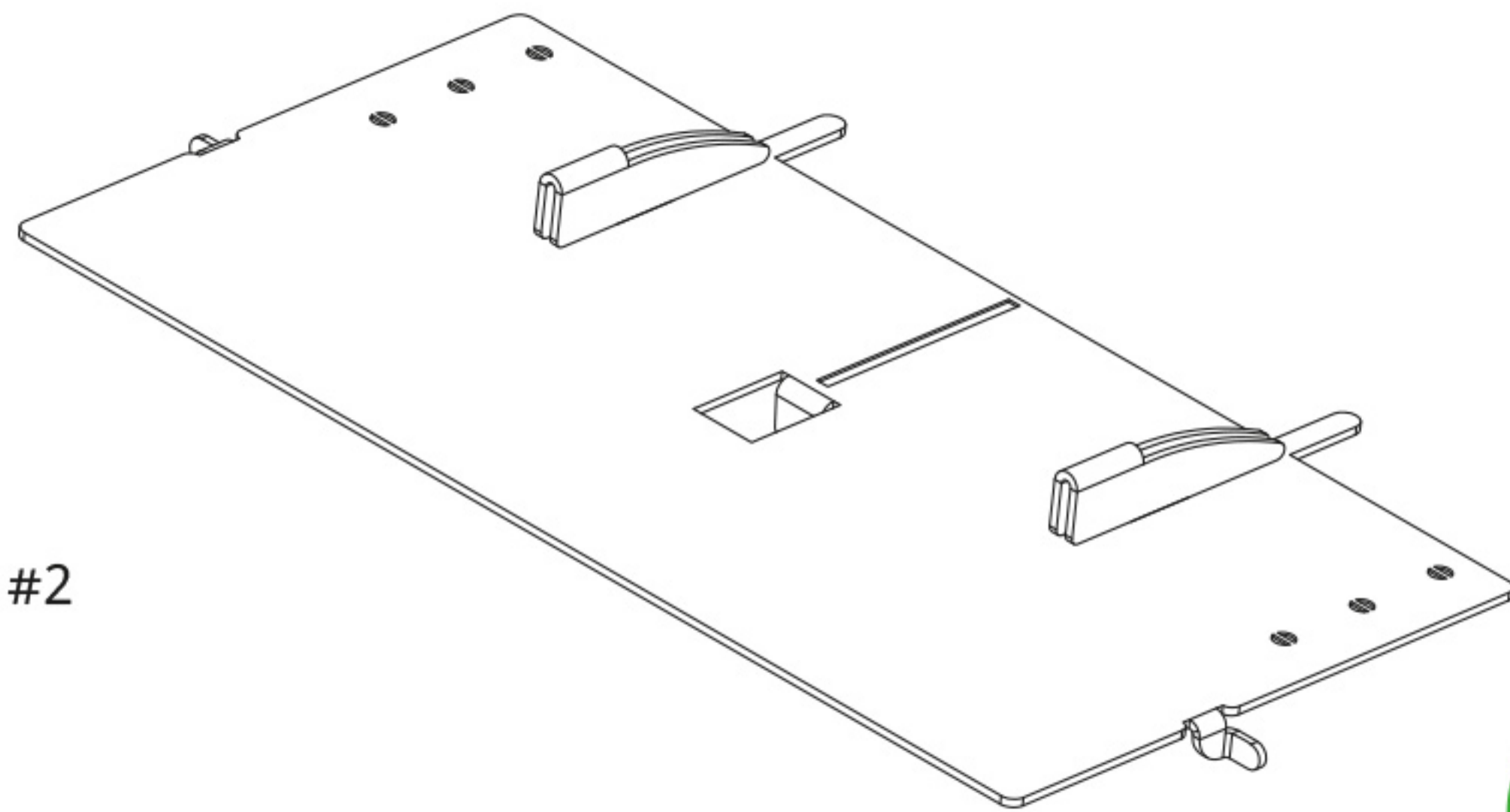




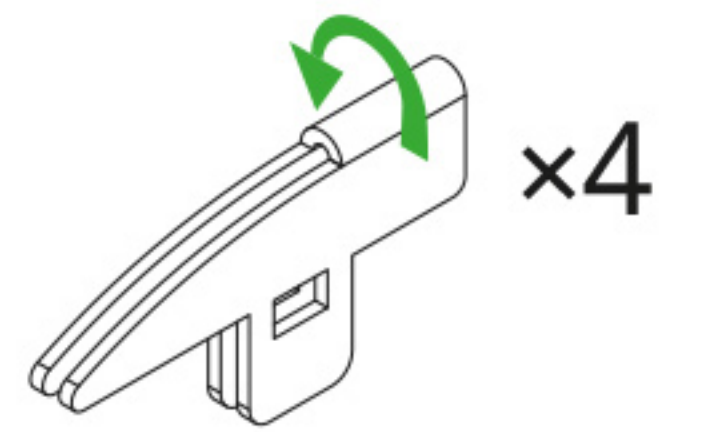
#1



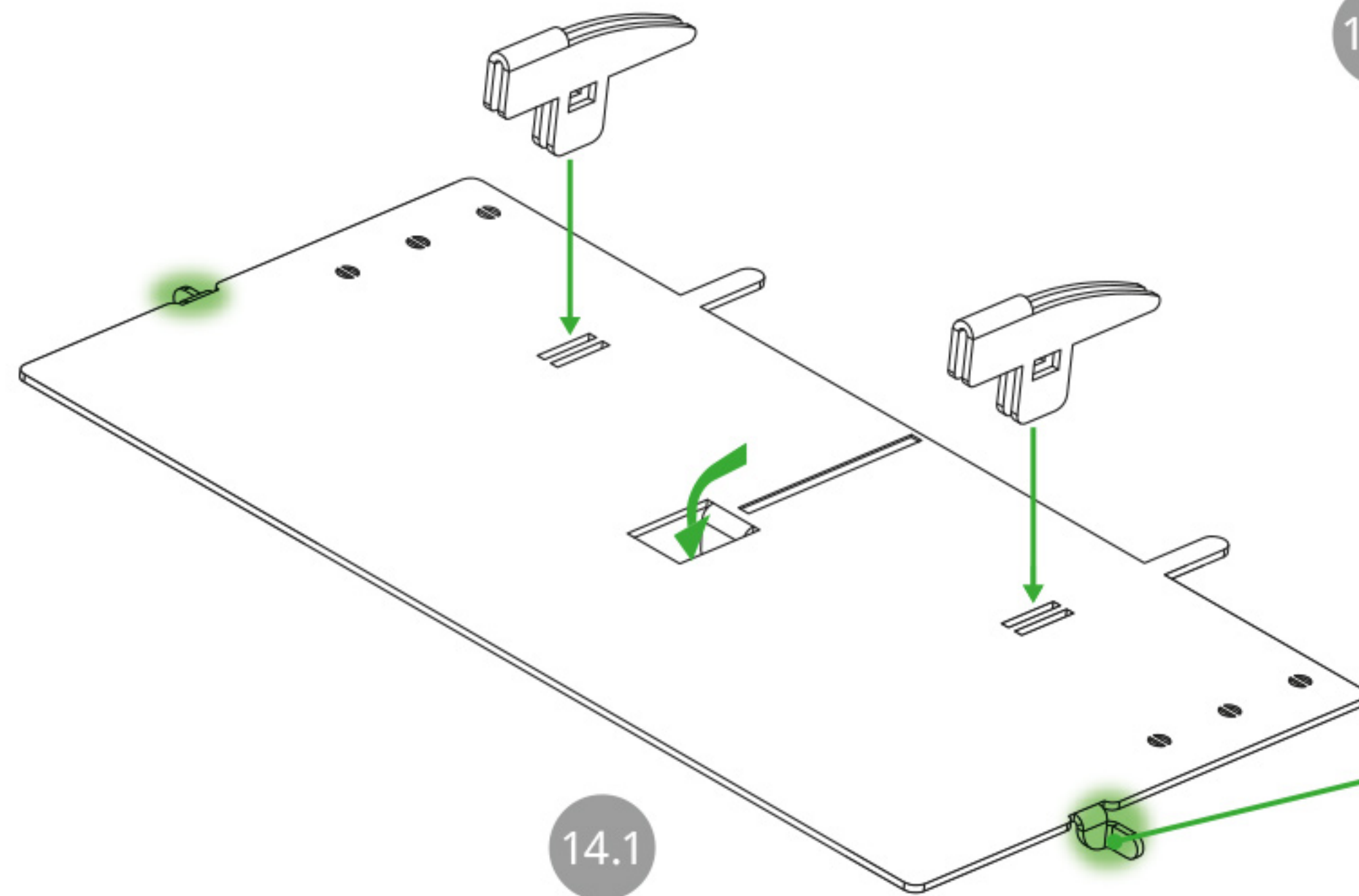
#2



x2

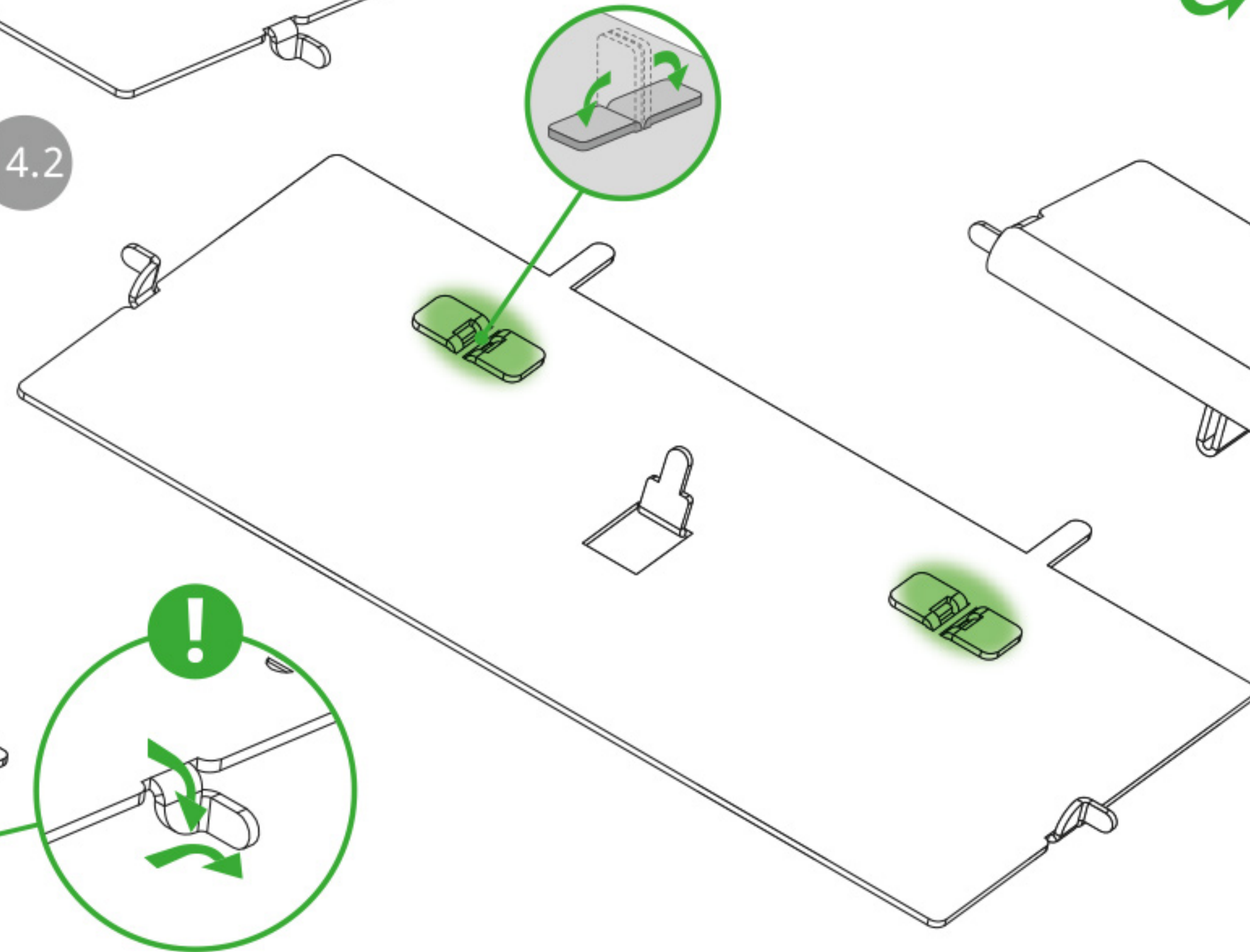


x4

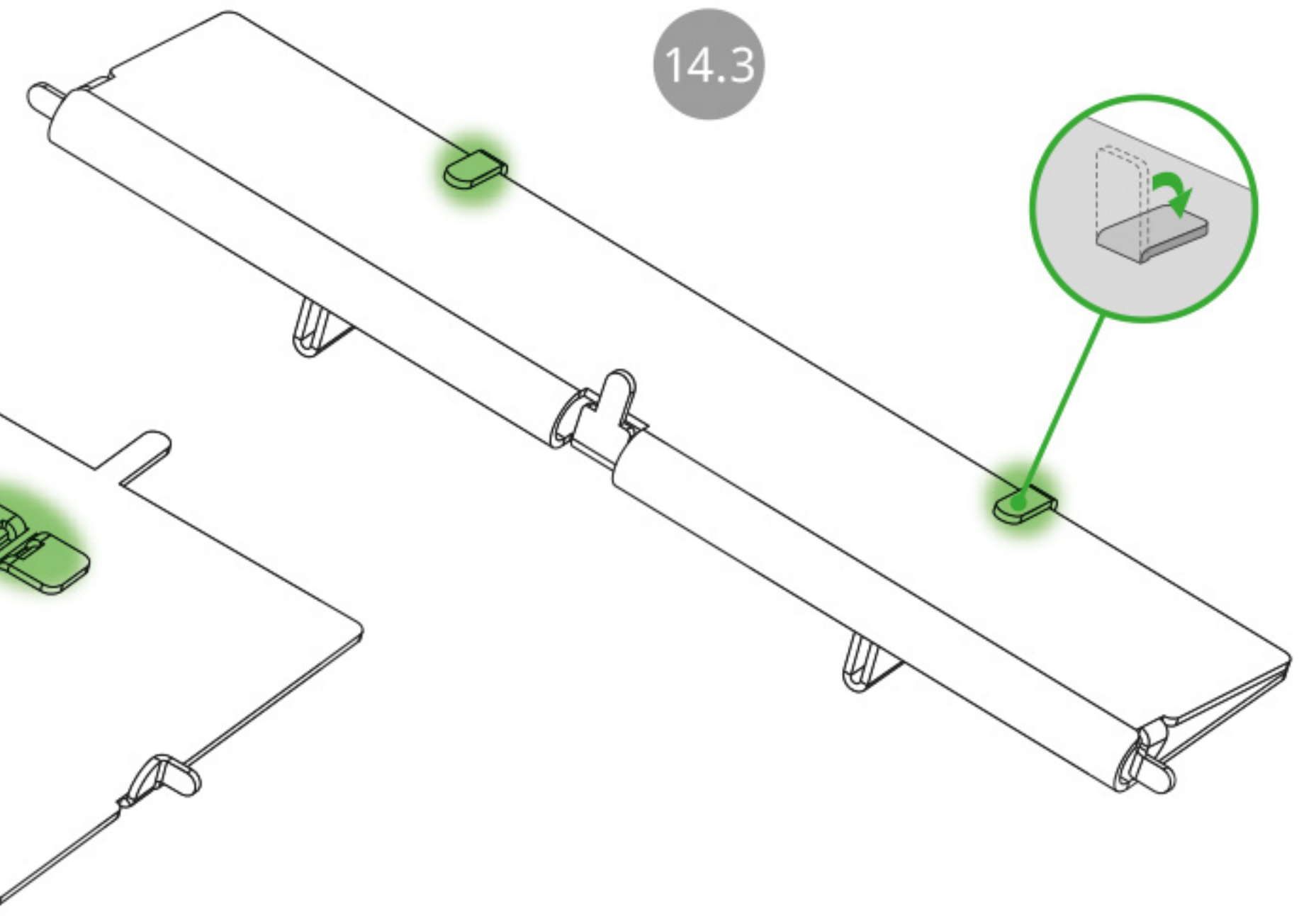


14.1

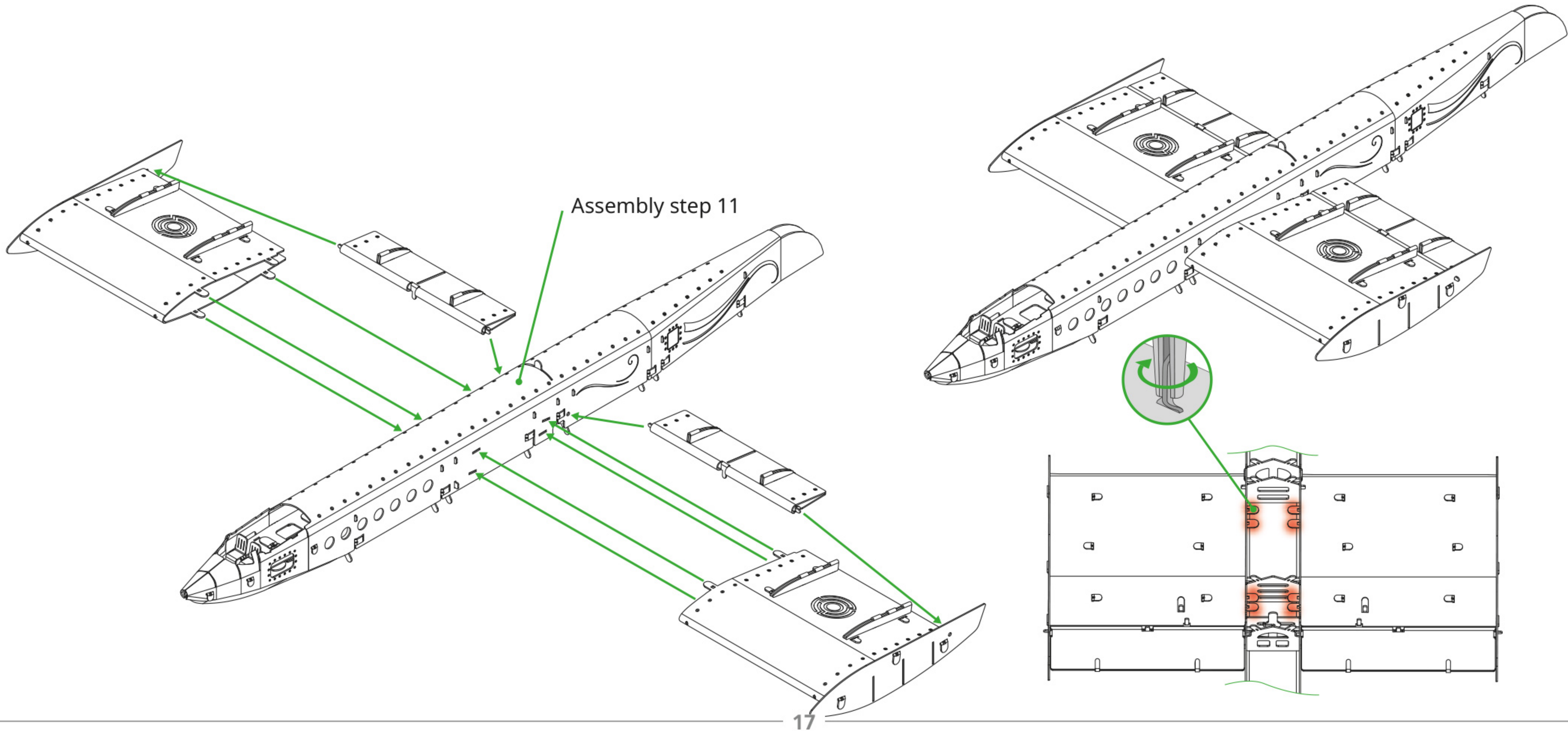
14.2



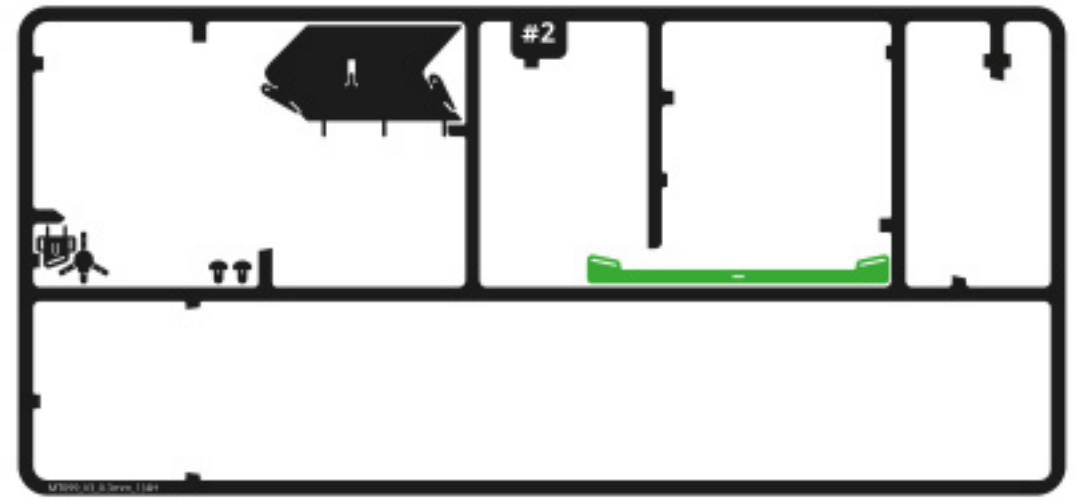
14.3



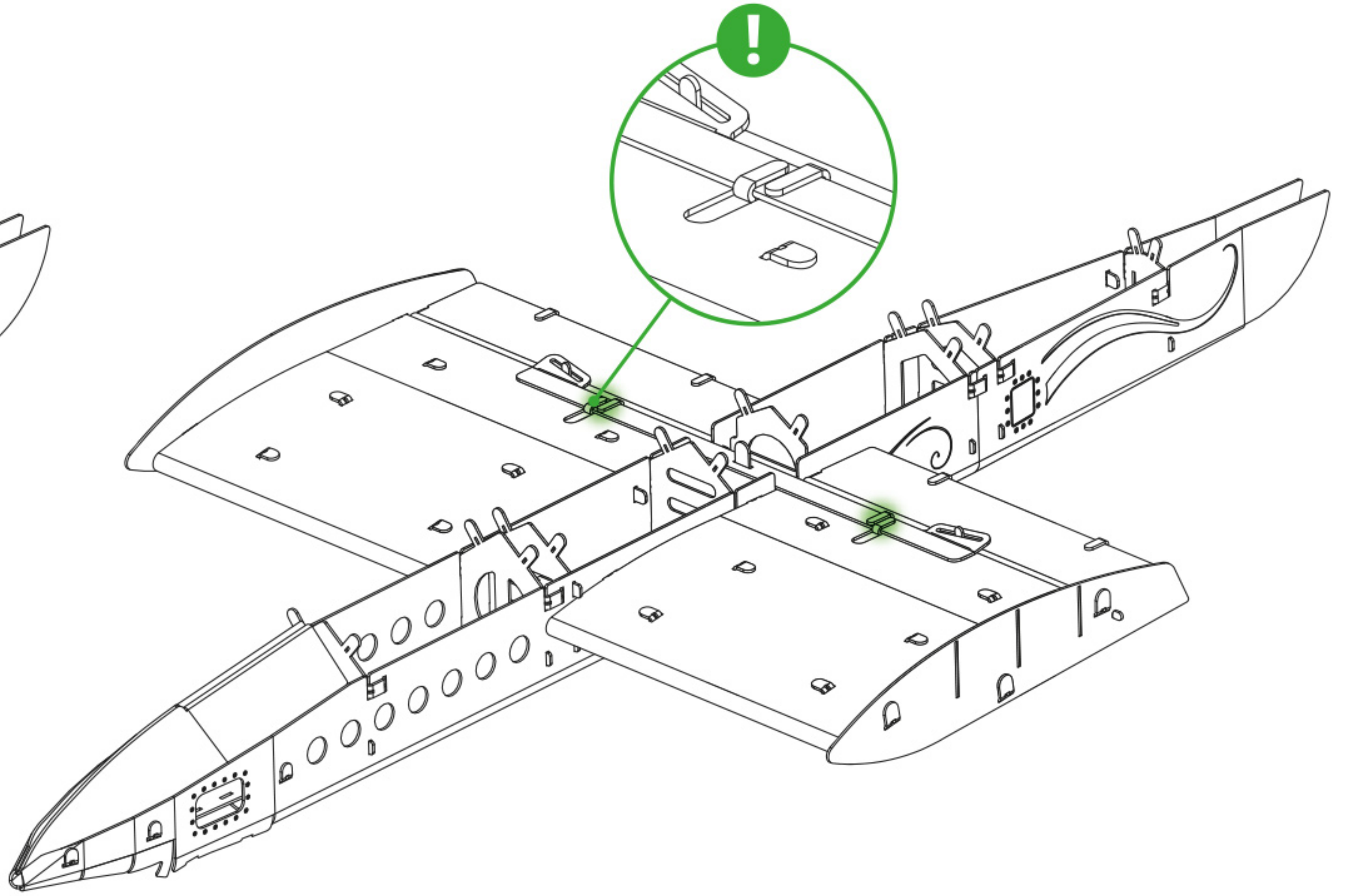
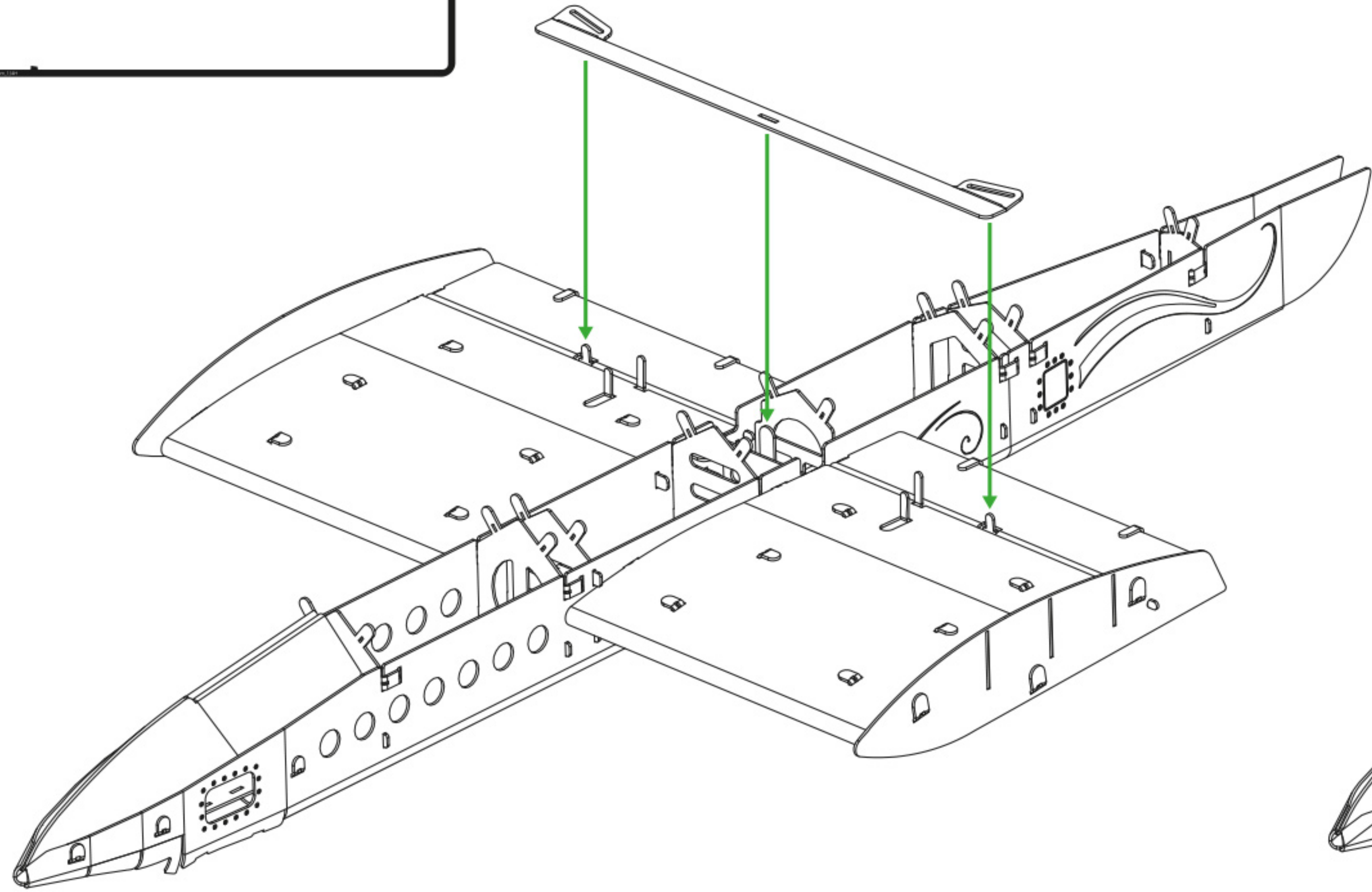




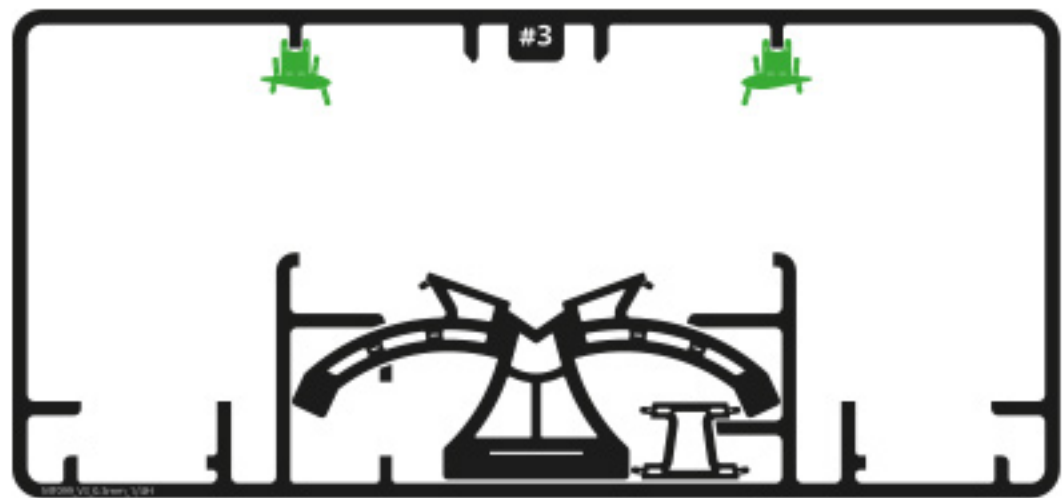




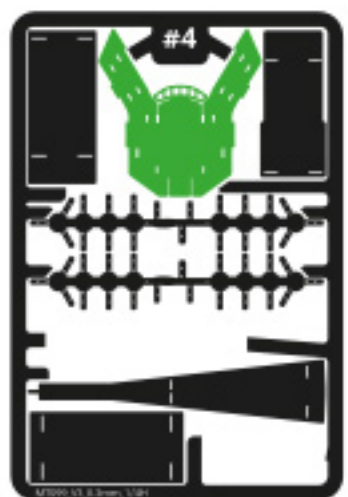
#2



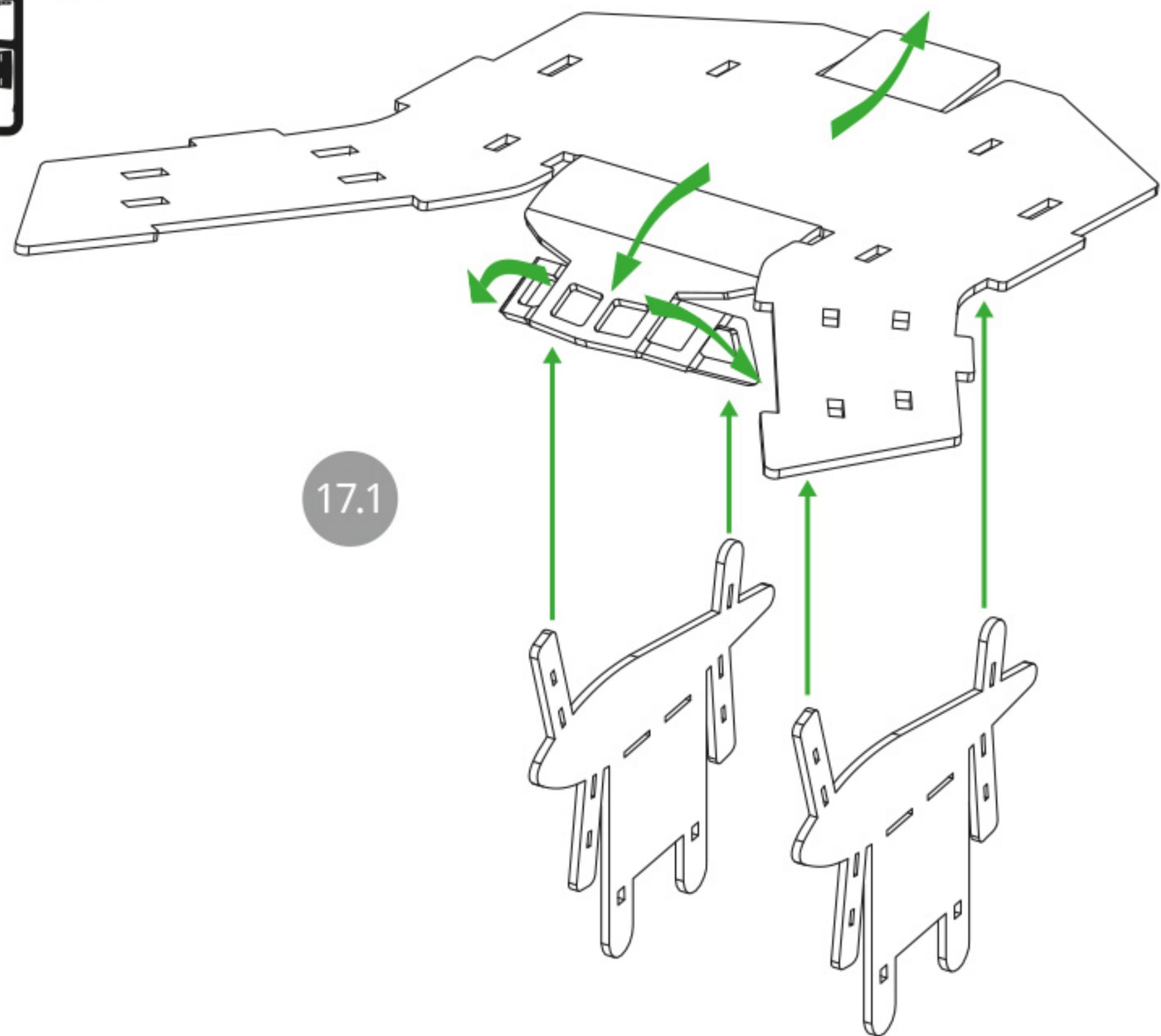




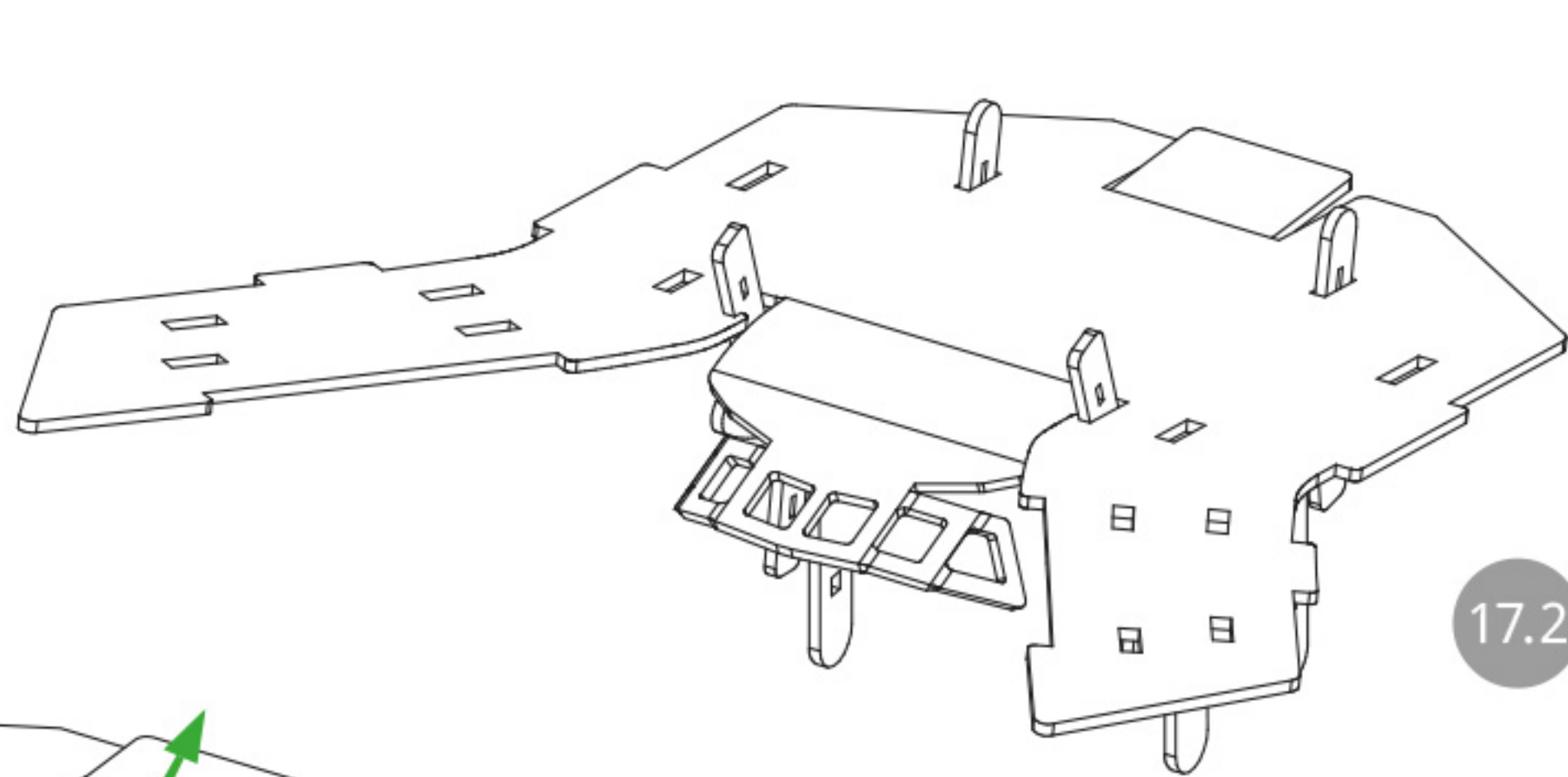
#3



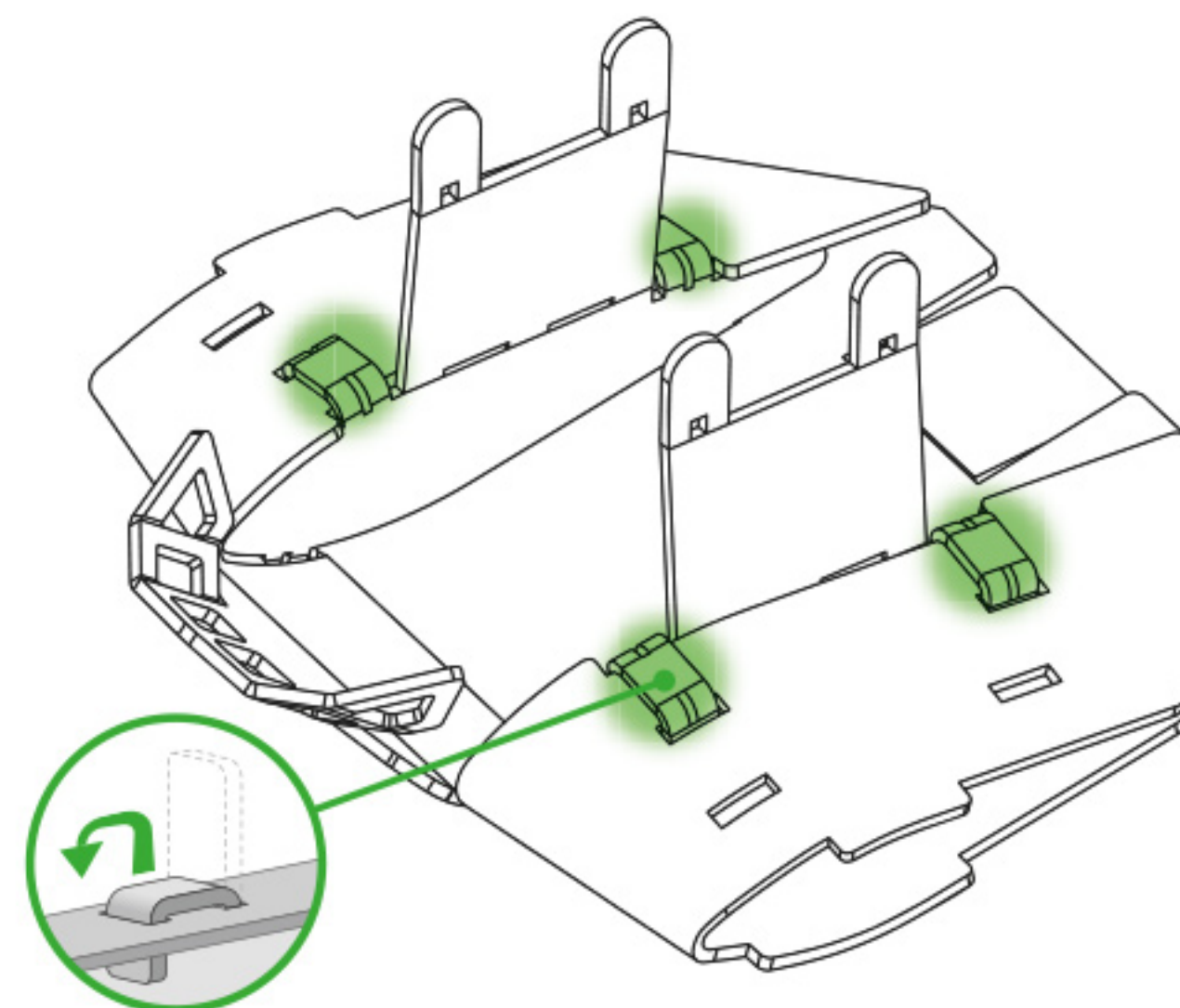
#4



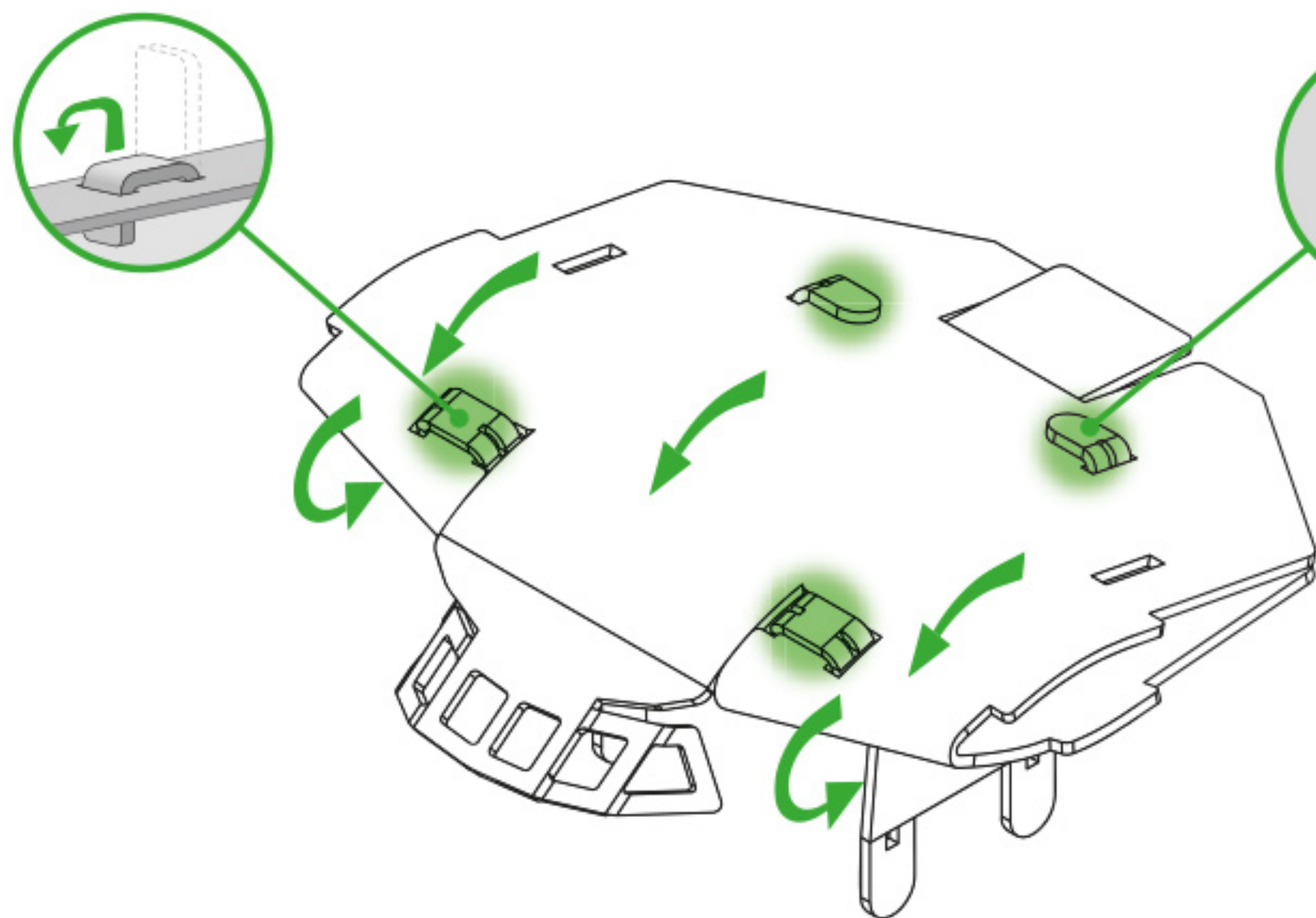
17.1



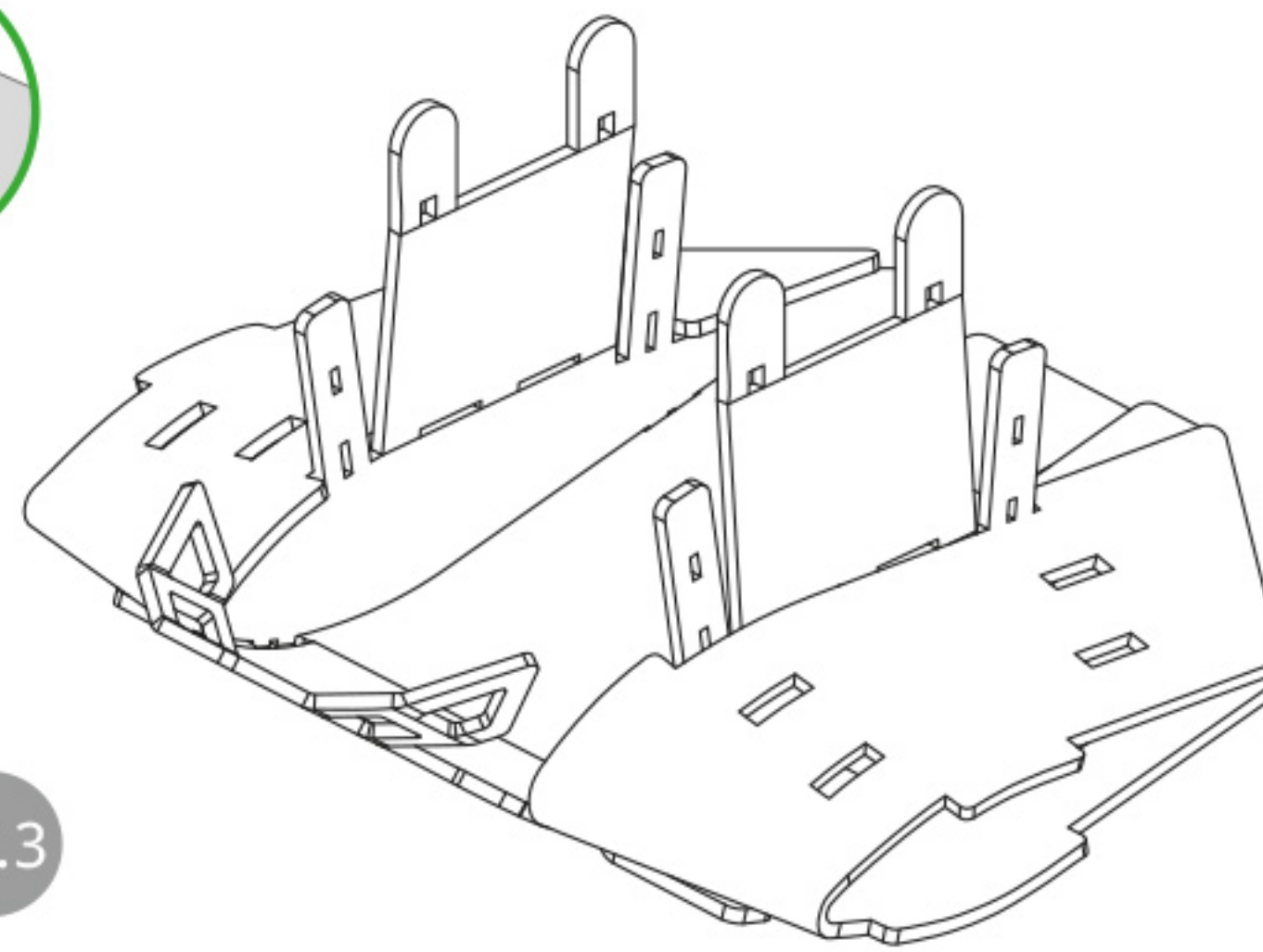
17.2



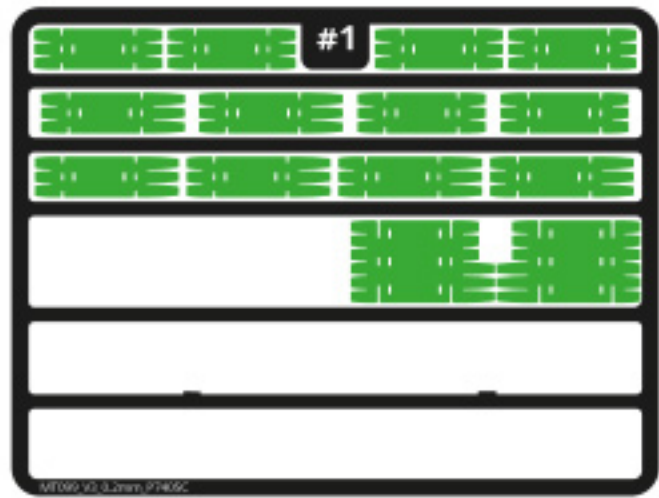
17.4



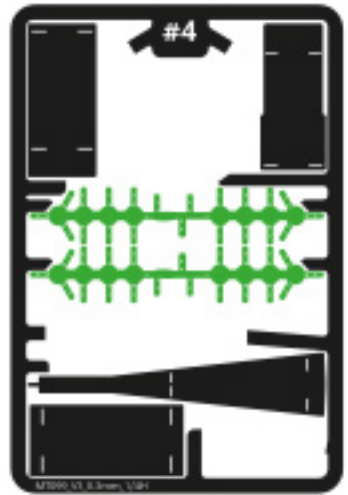
17.3



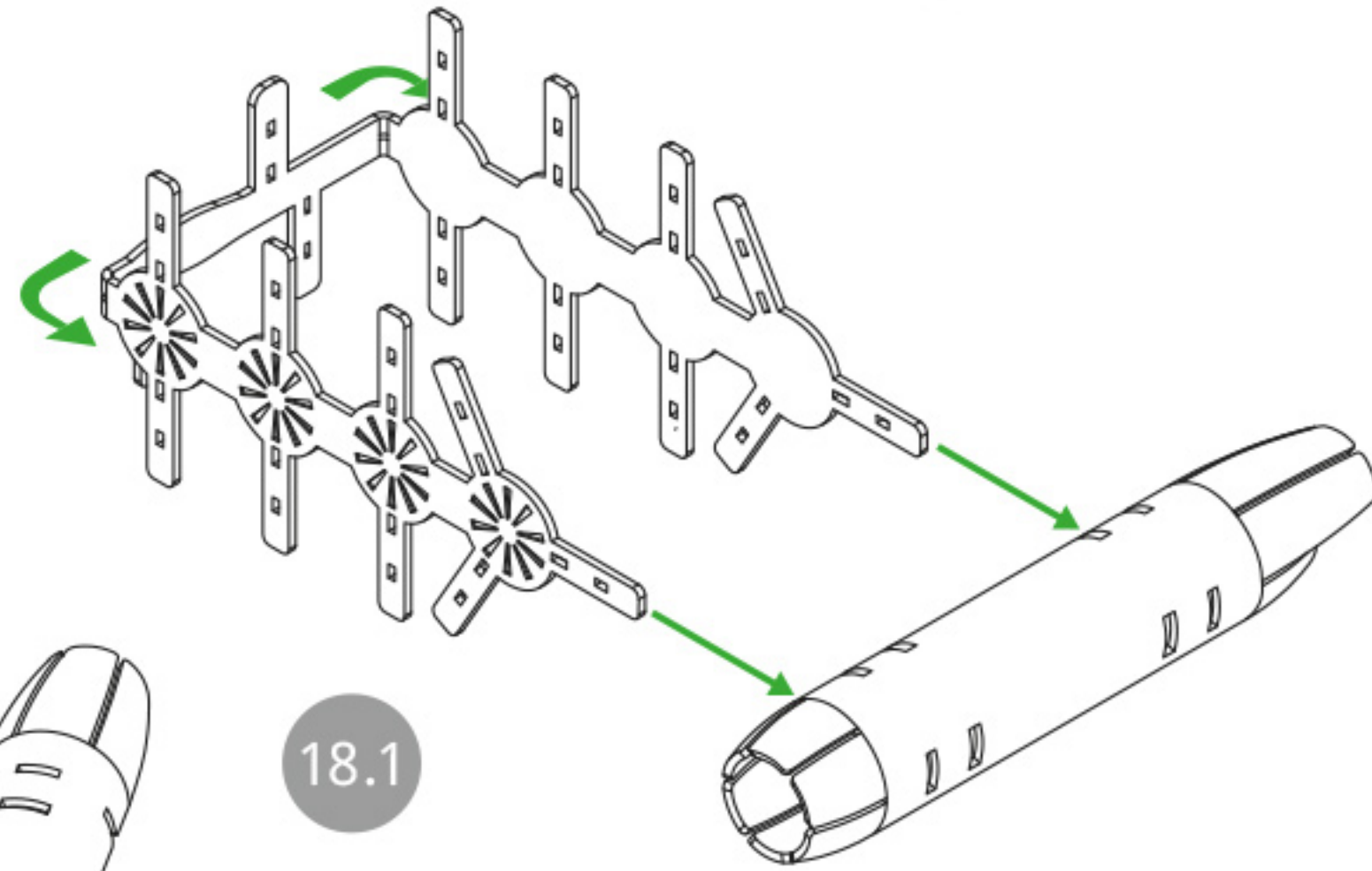
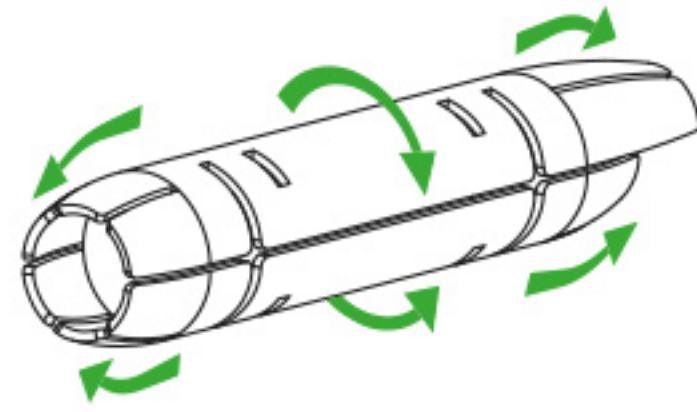




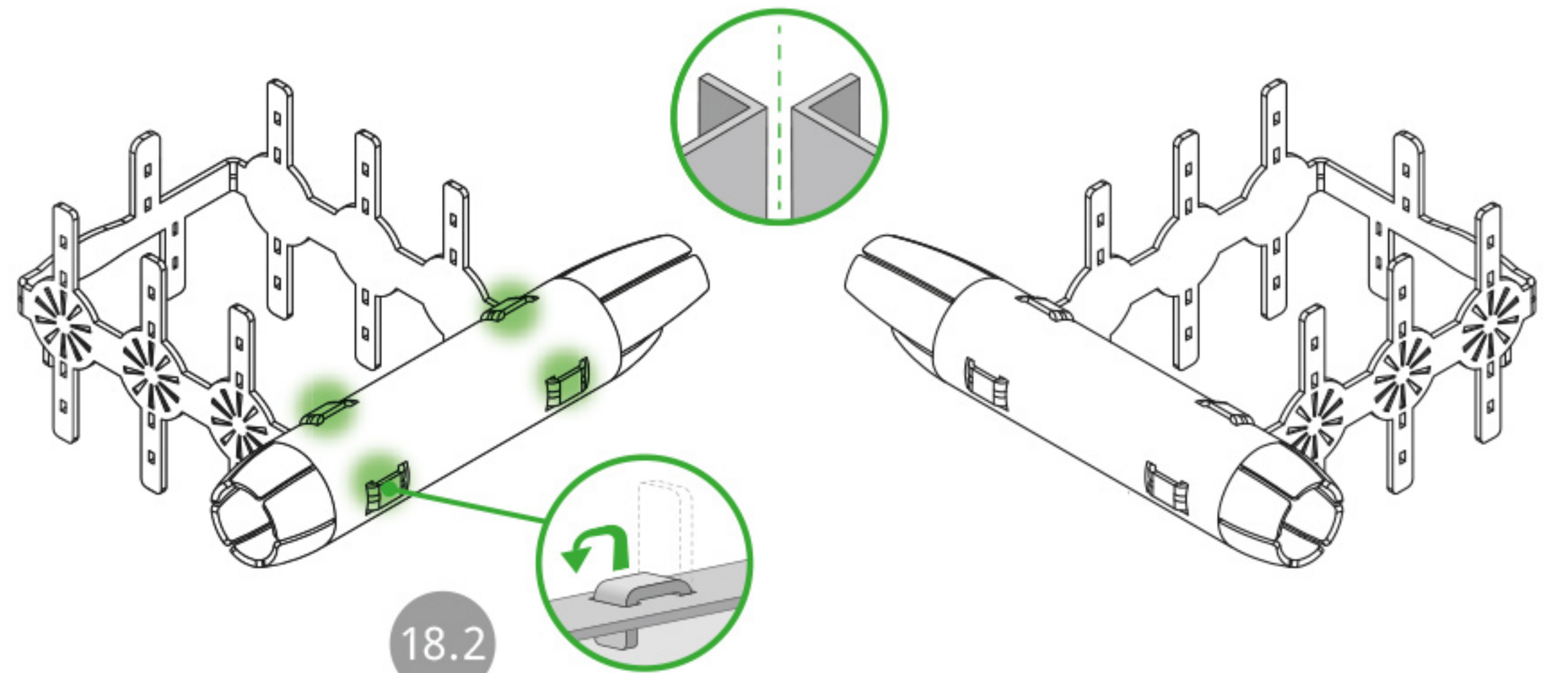
#1



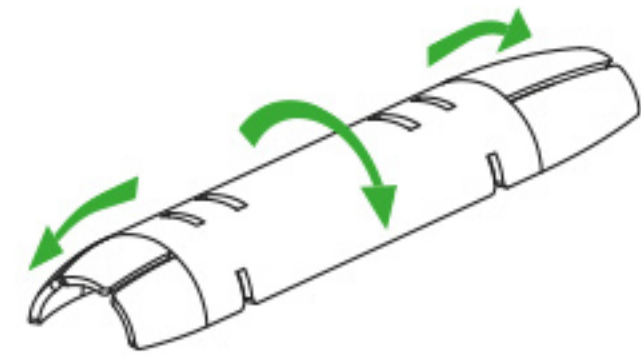
#4



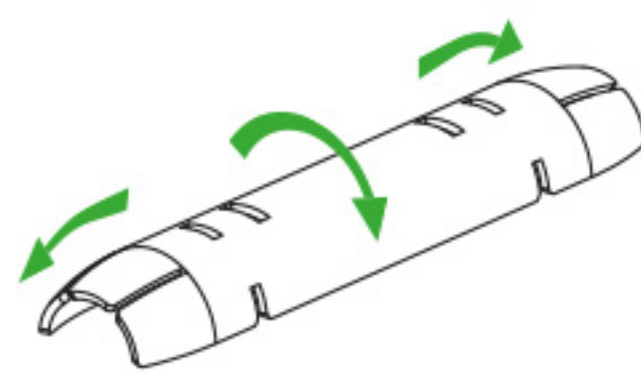
18.1



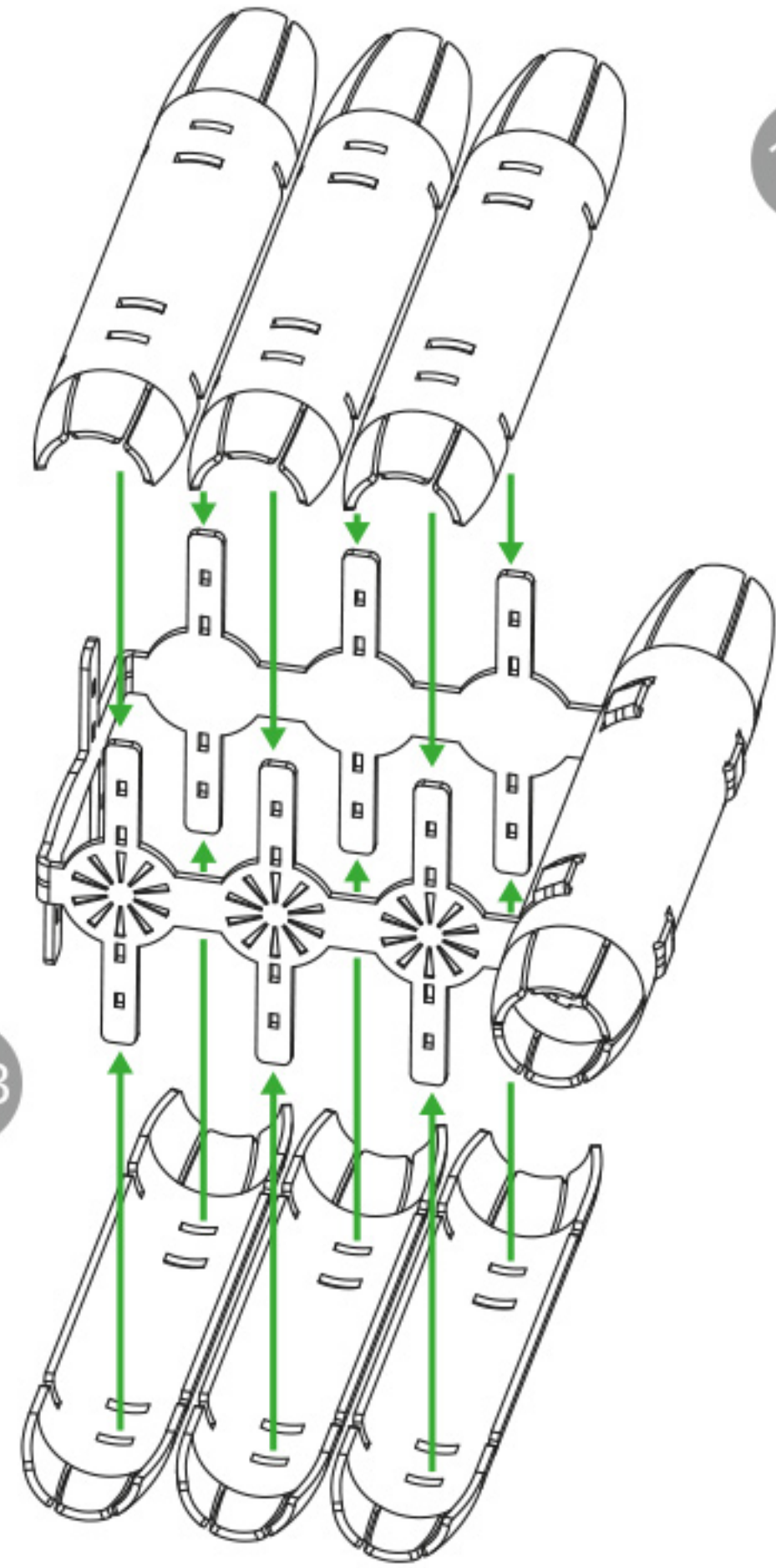
18.2



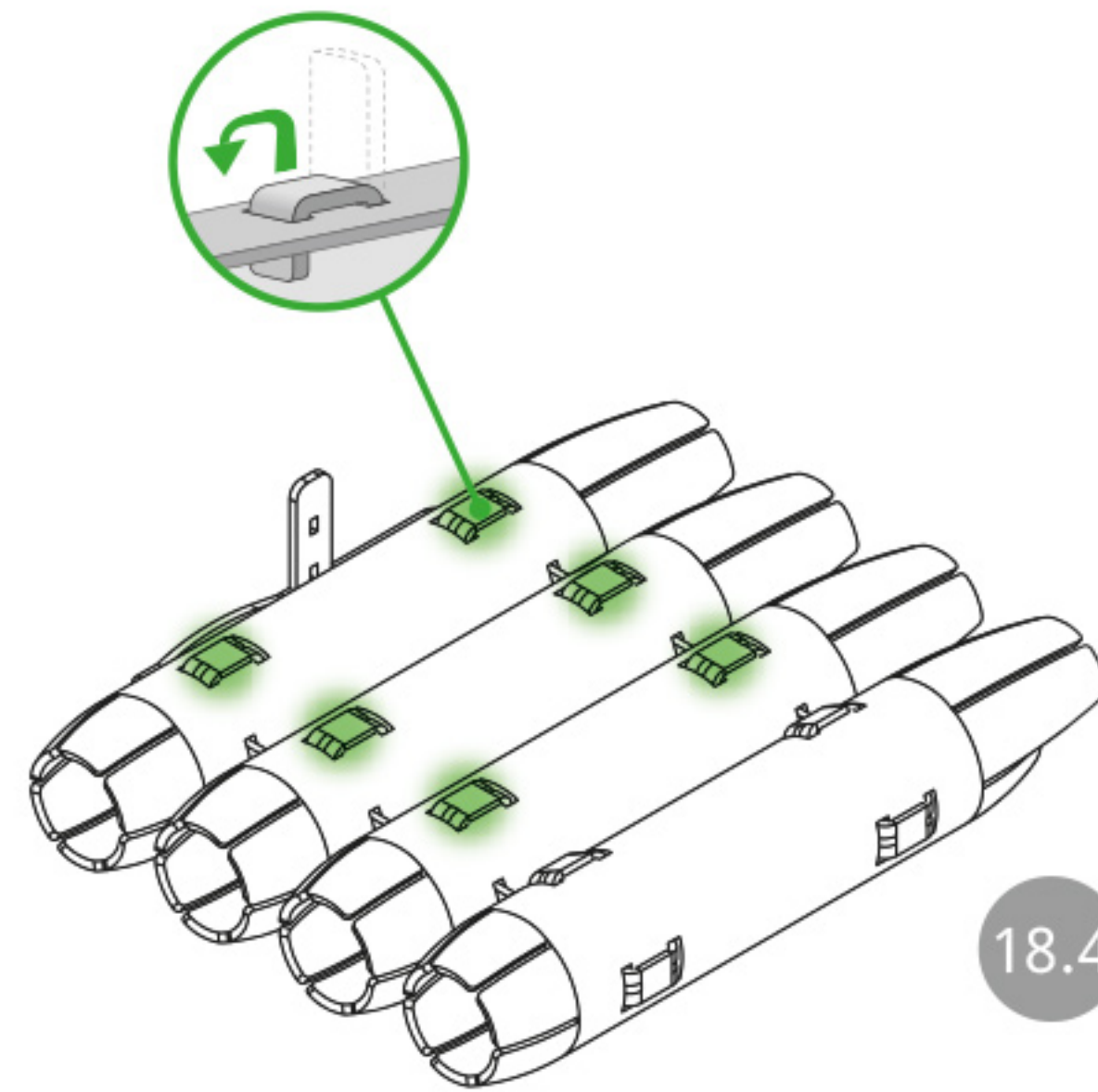
x6



x6

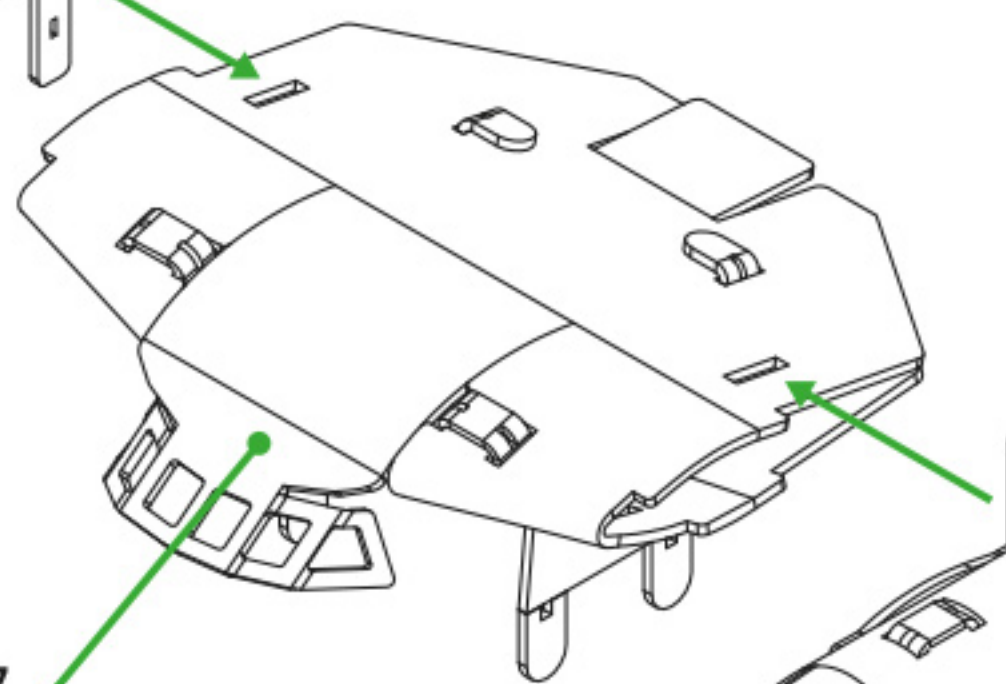
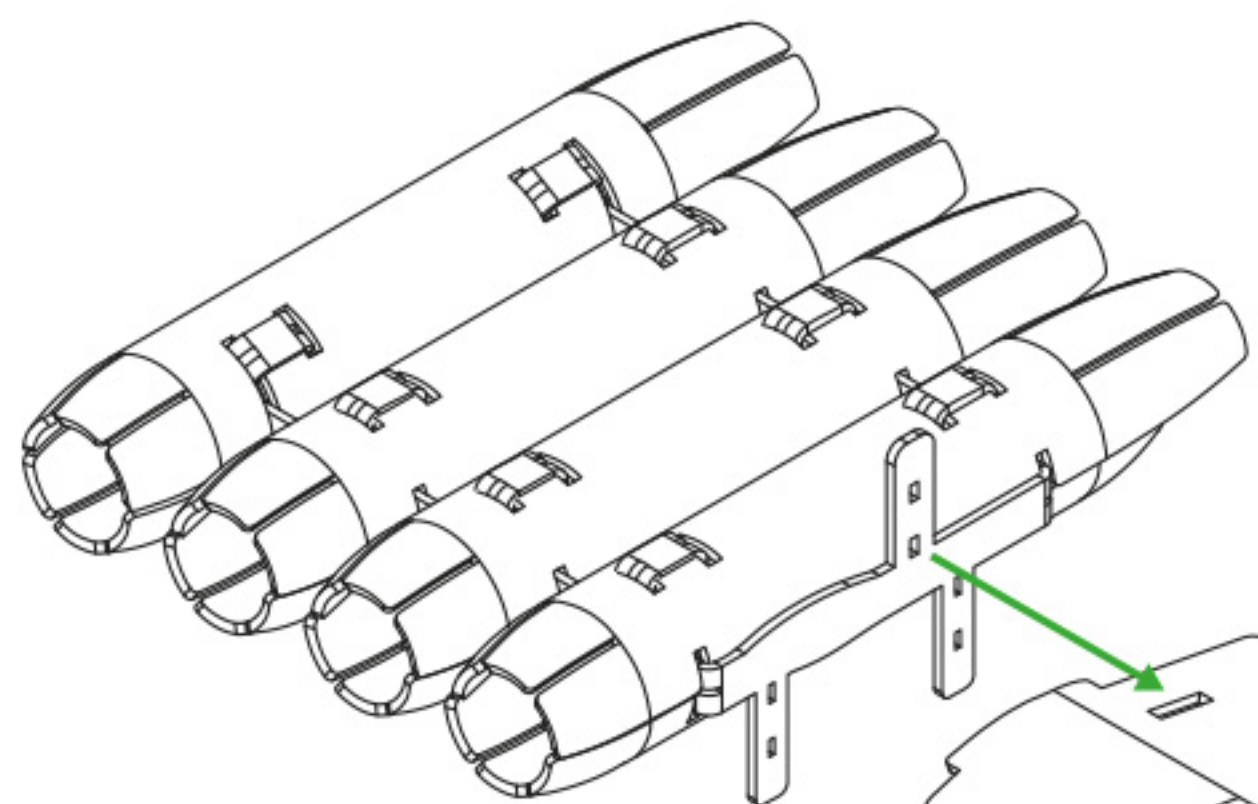


18.3



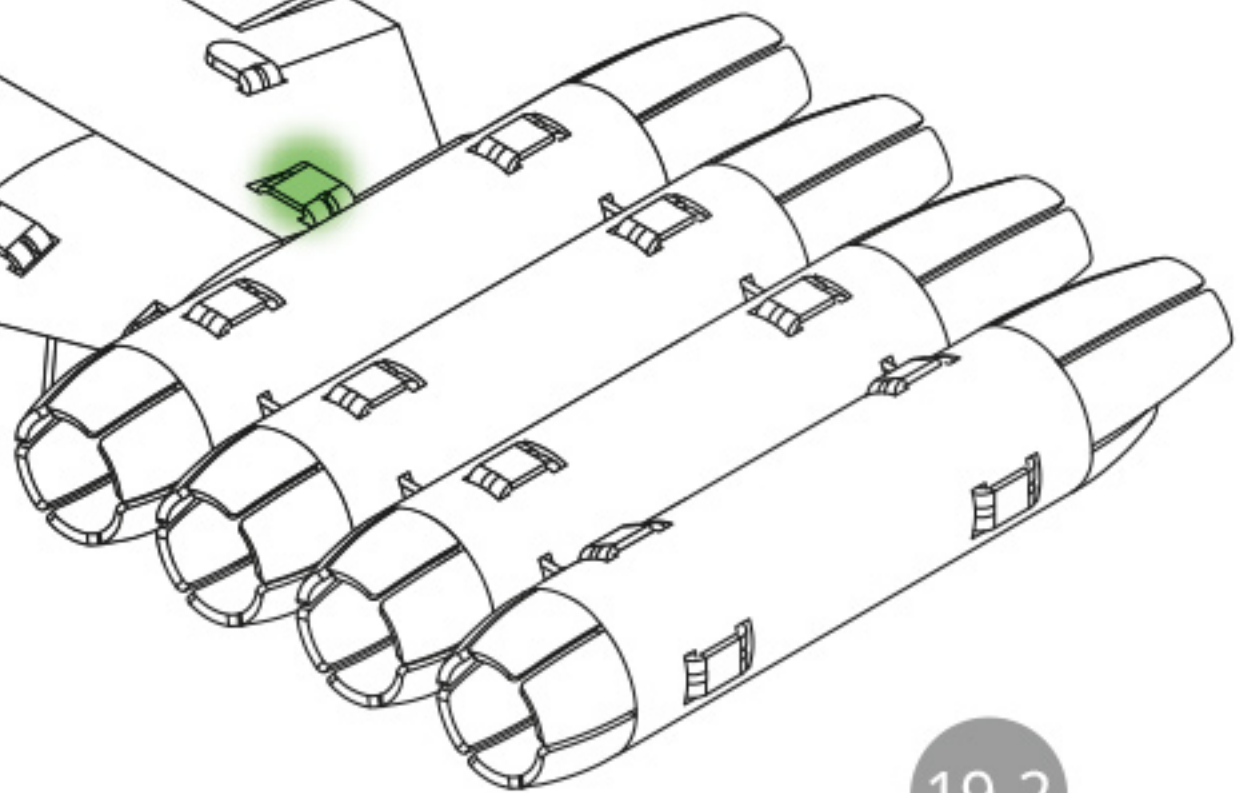
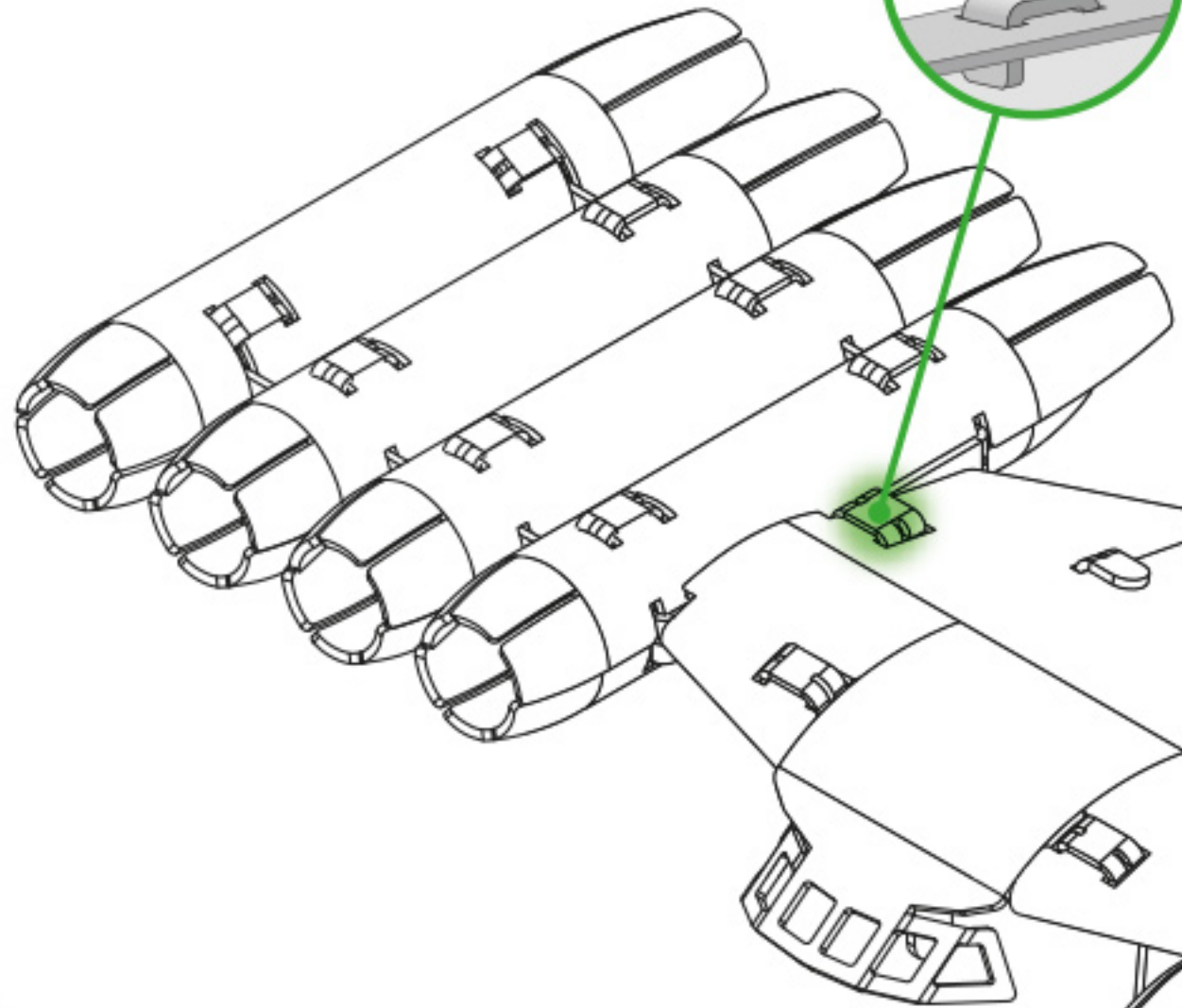
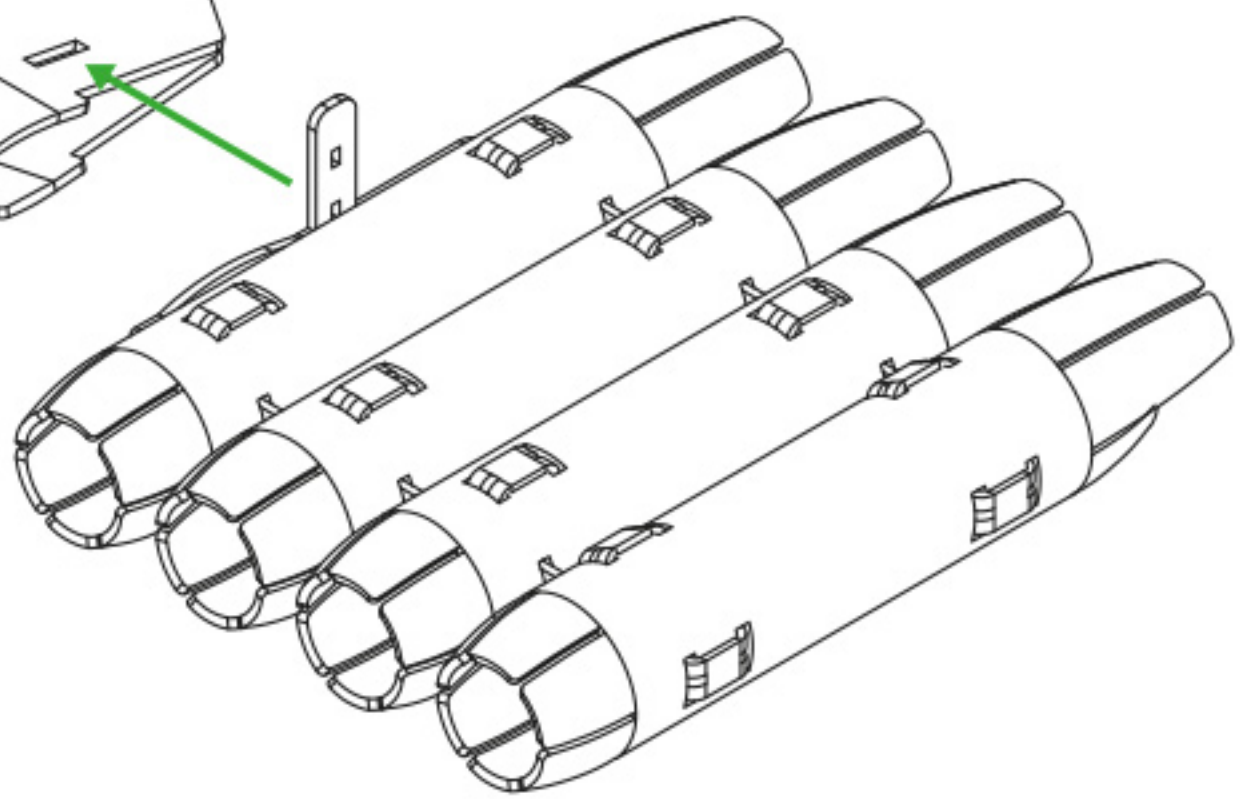
18.4



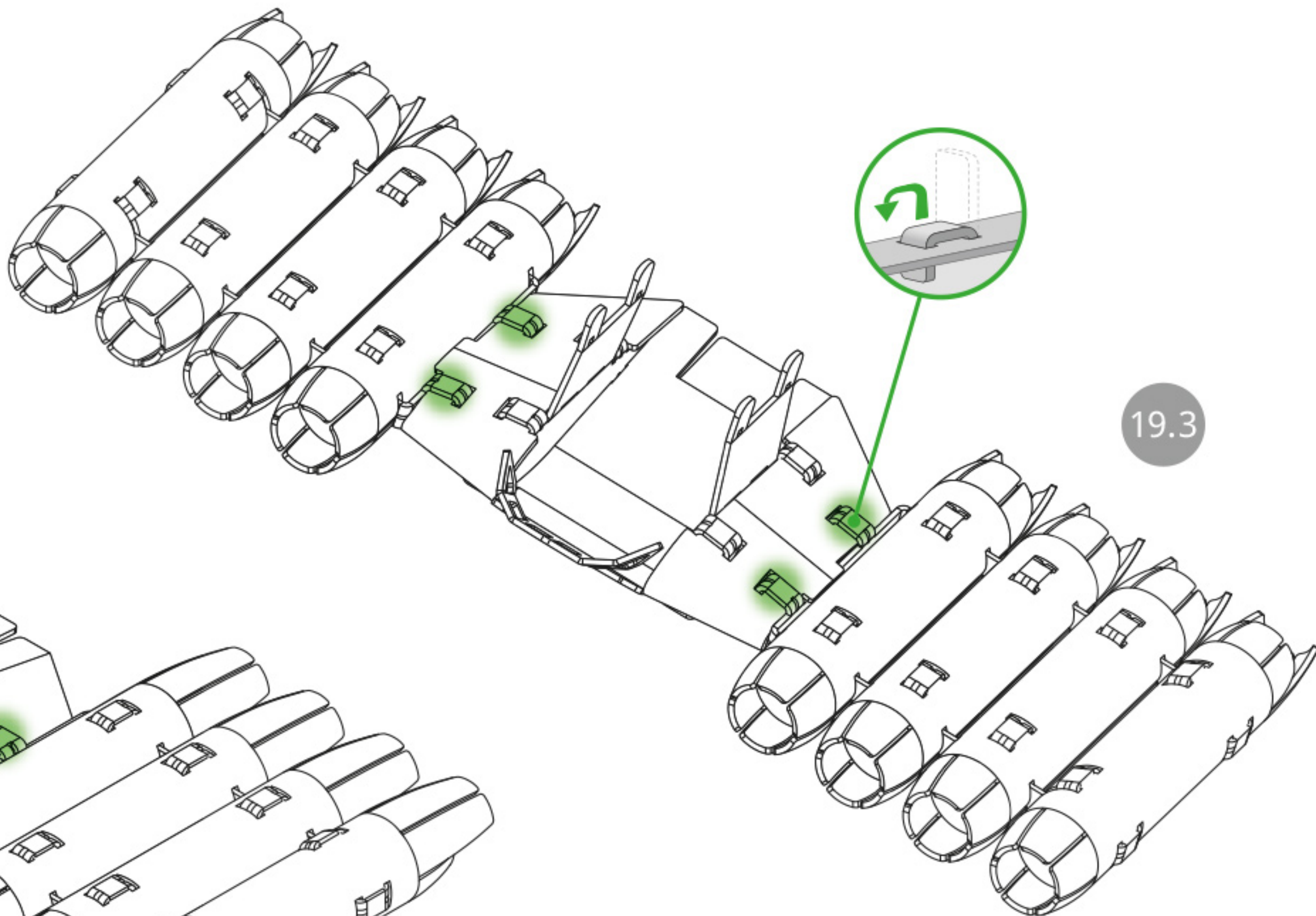


Assembly step 17

19.1

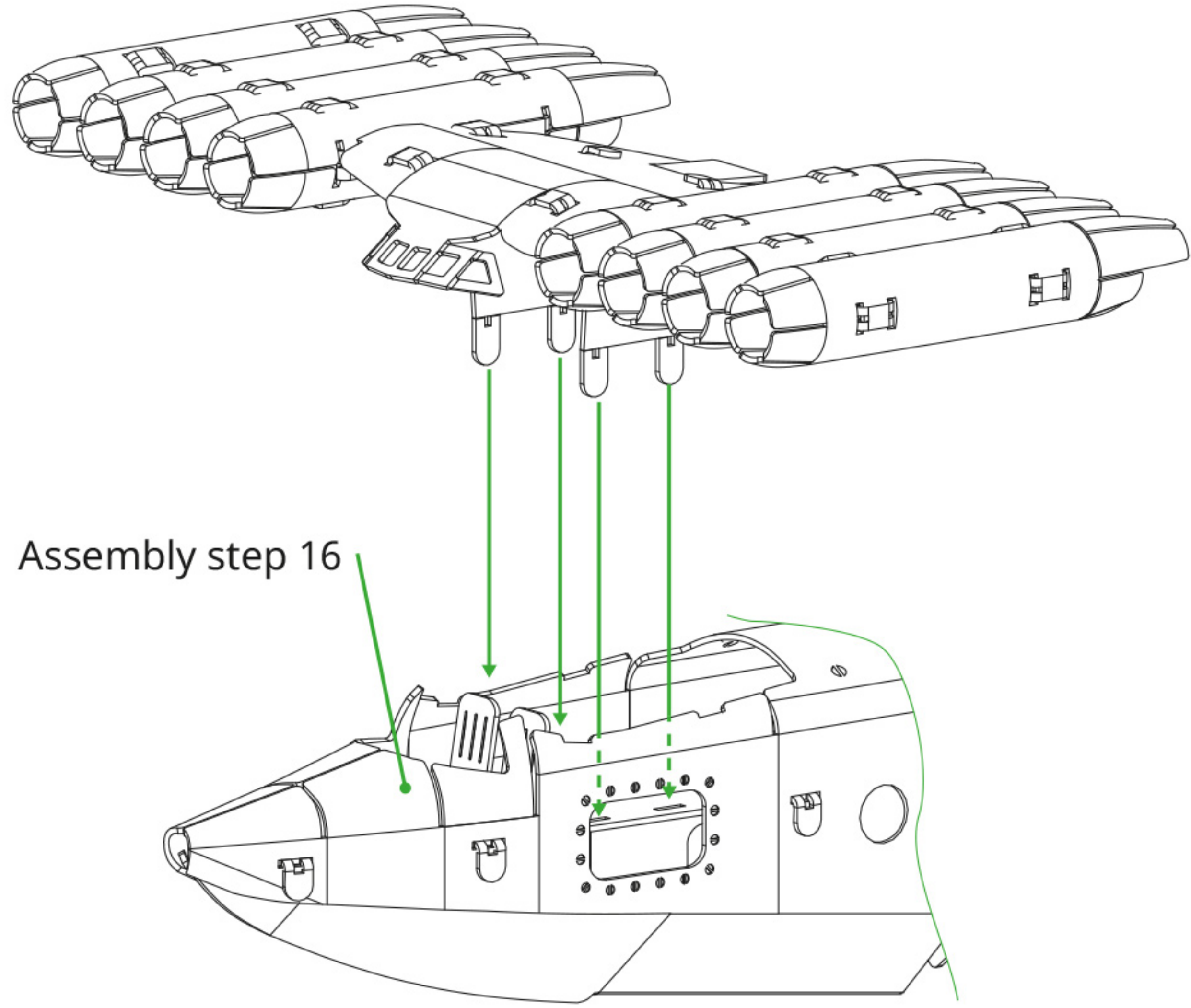


19.2

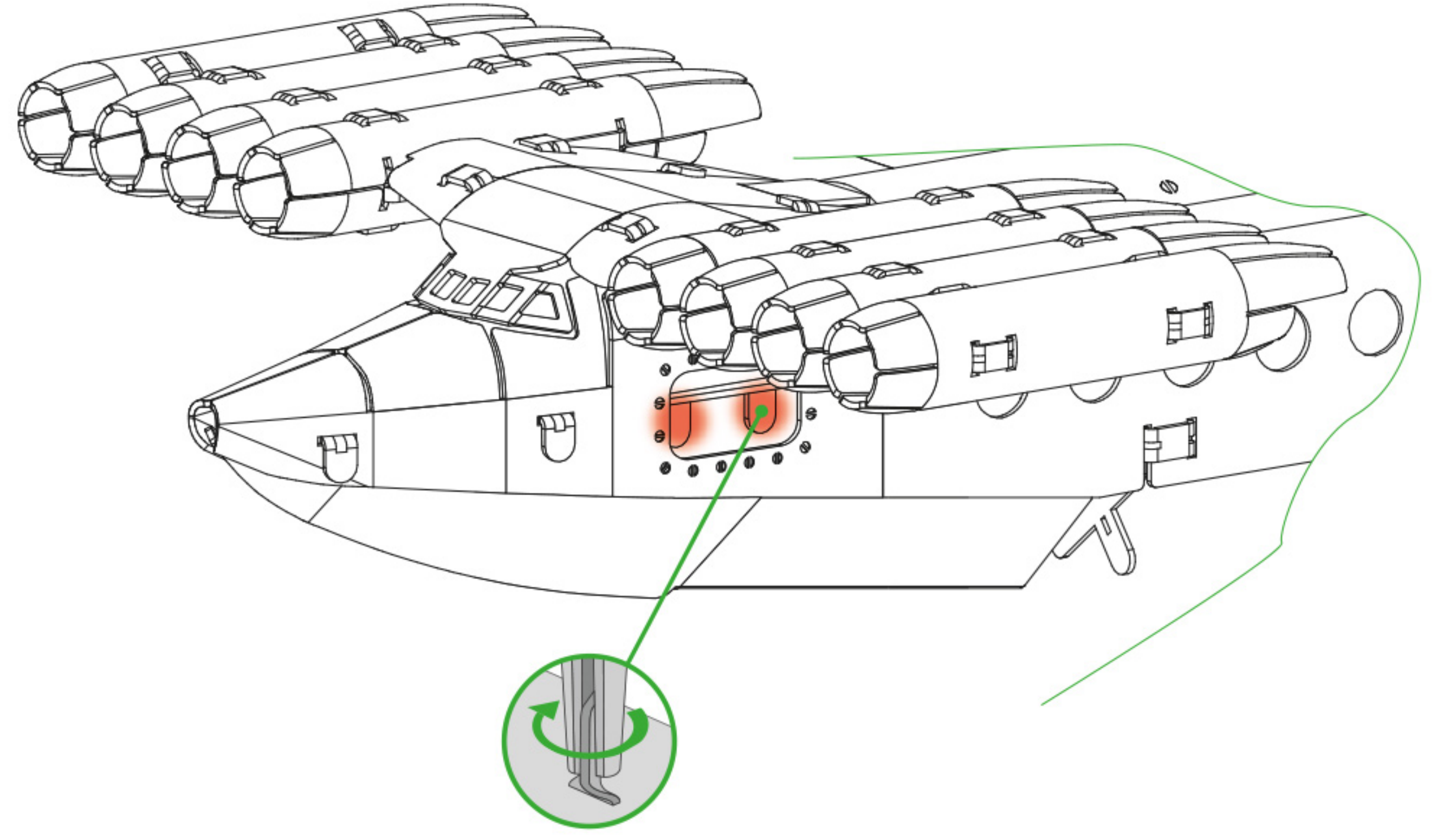


19.3

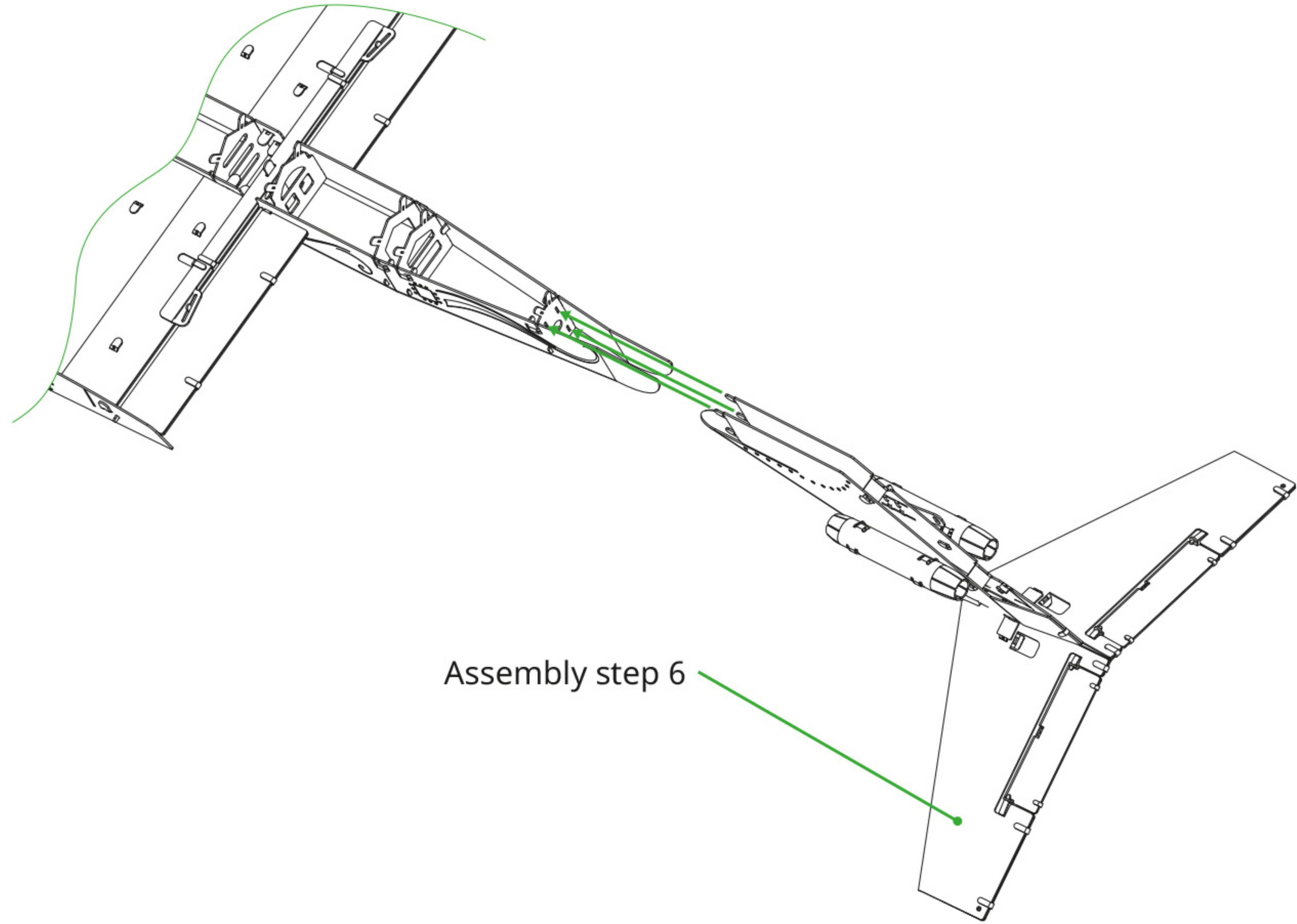




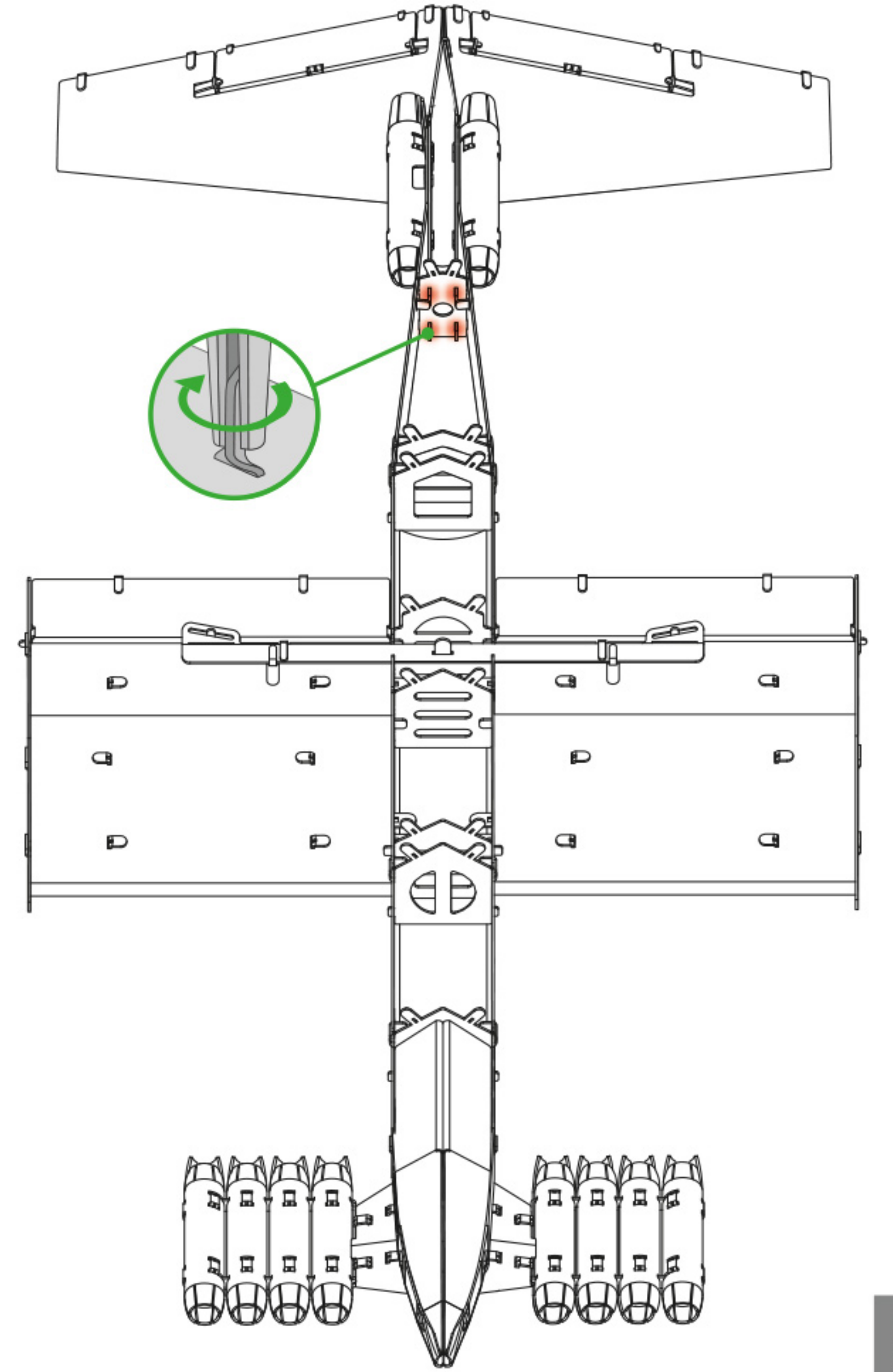
Assembly step 16



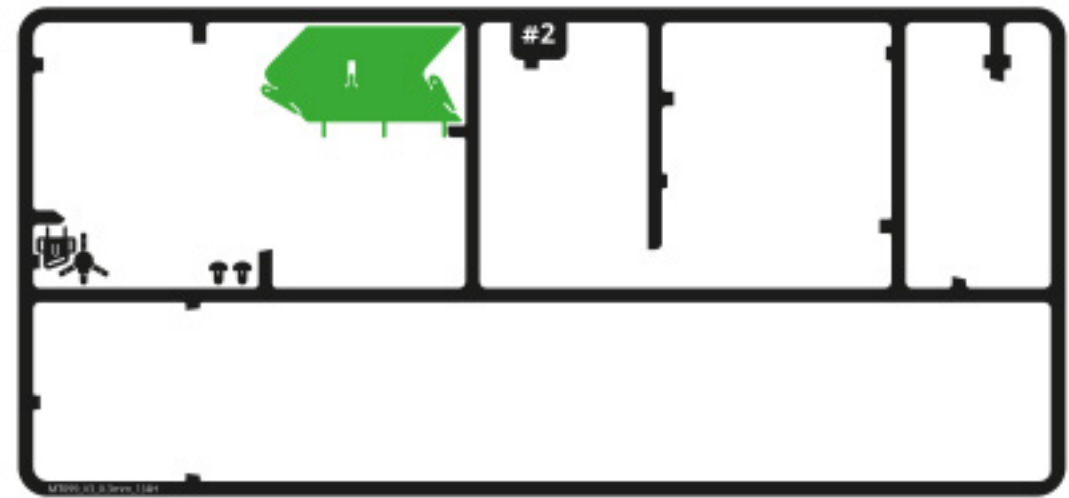




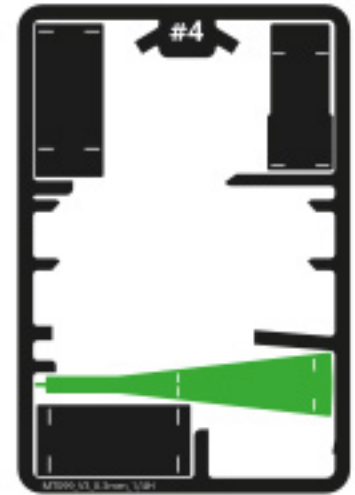
Assembly step 6



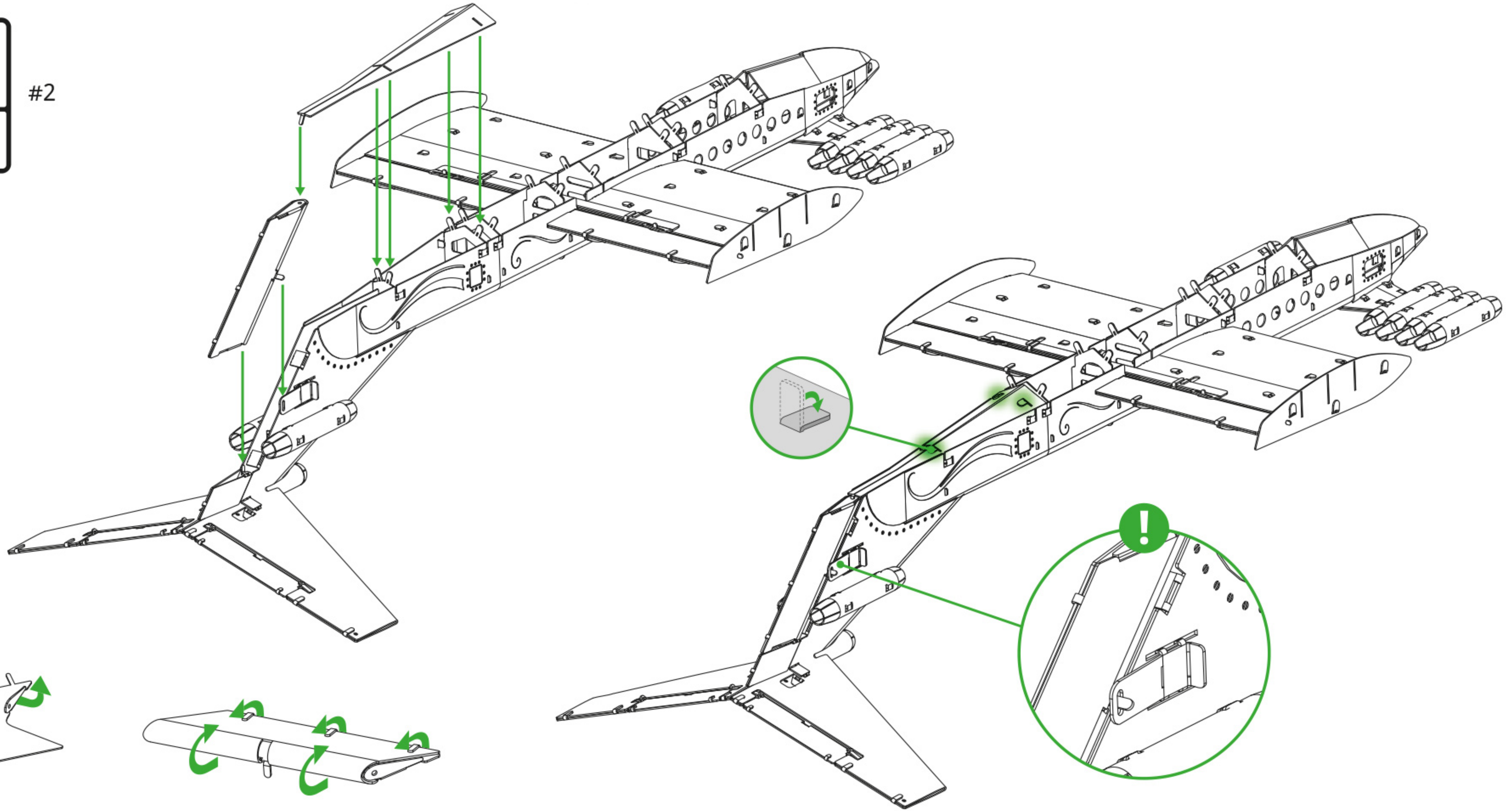
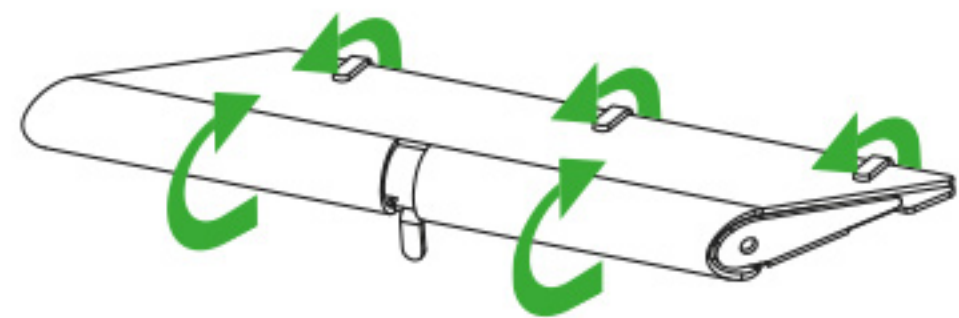
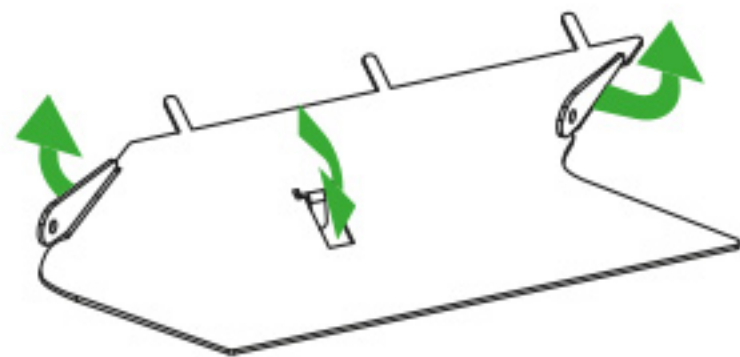
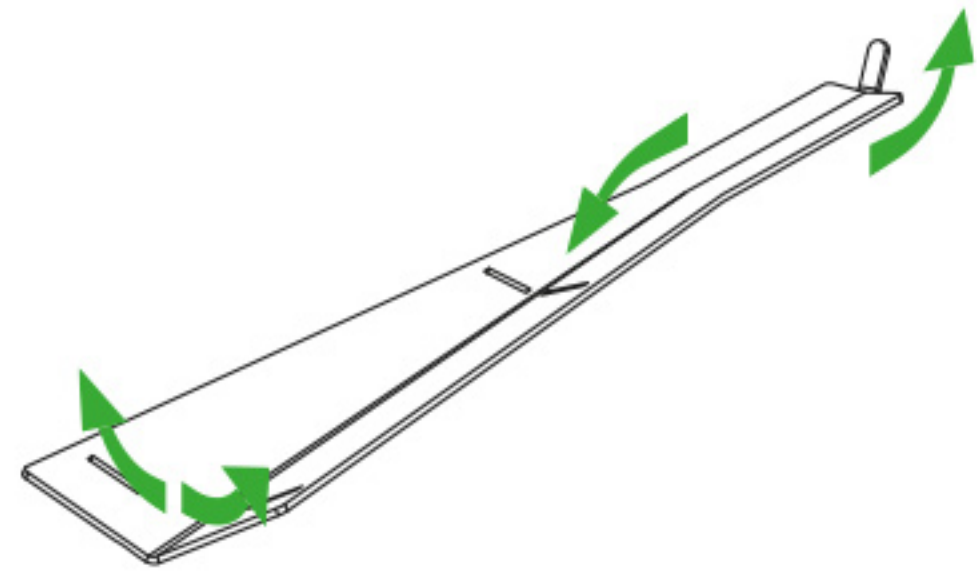




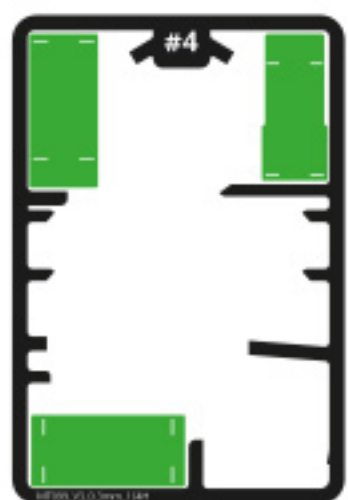
#2



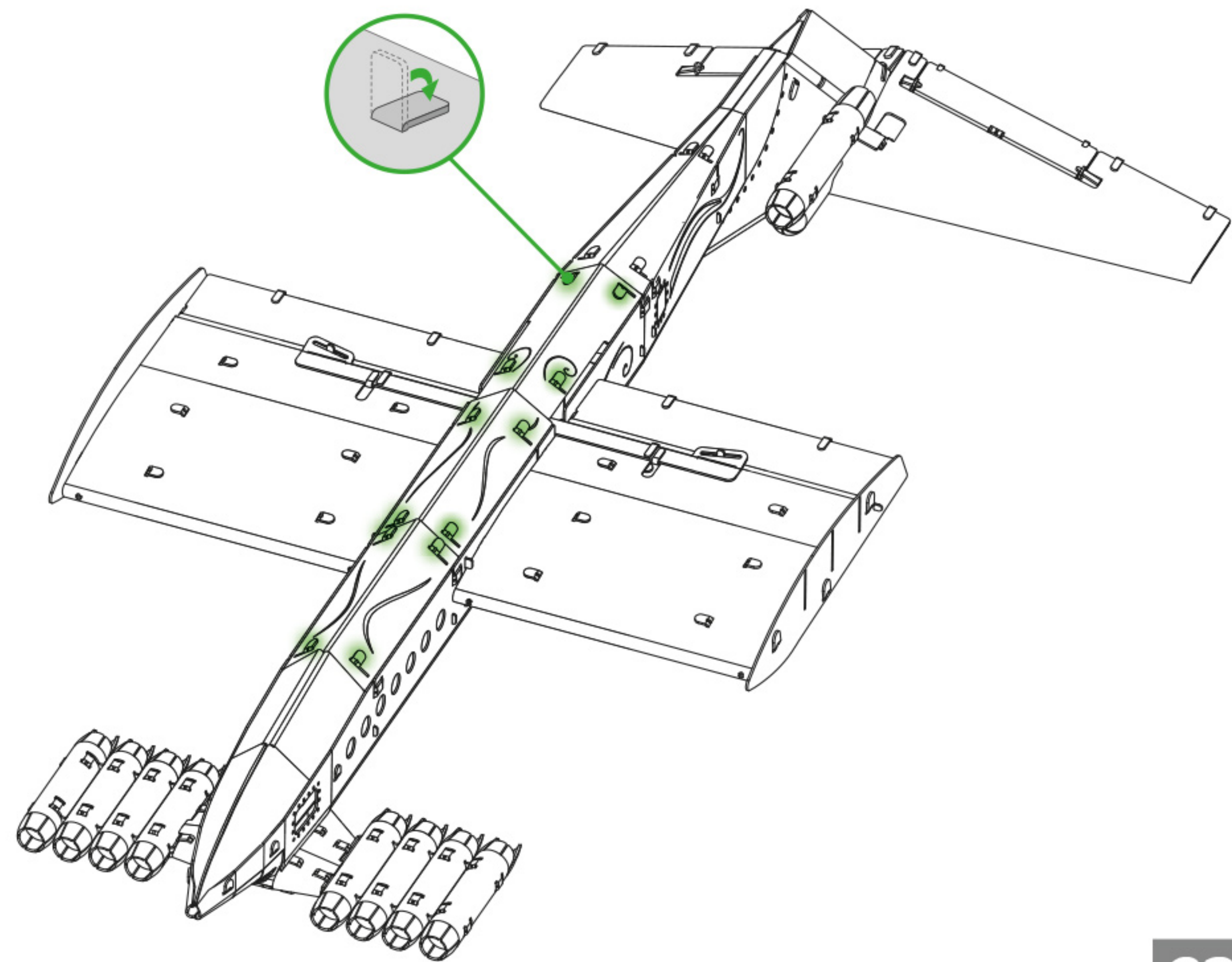
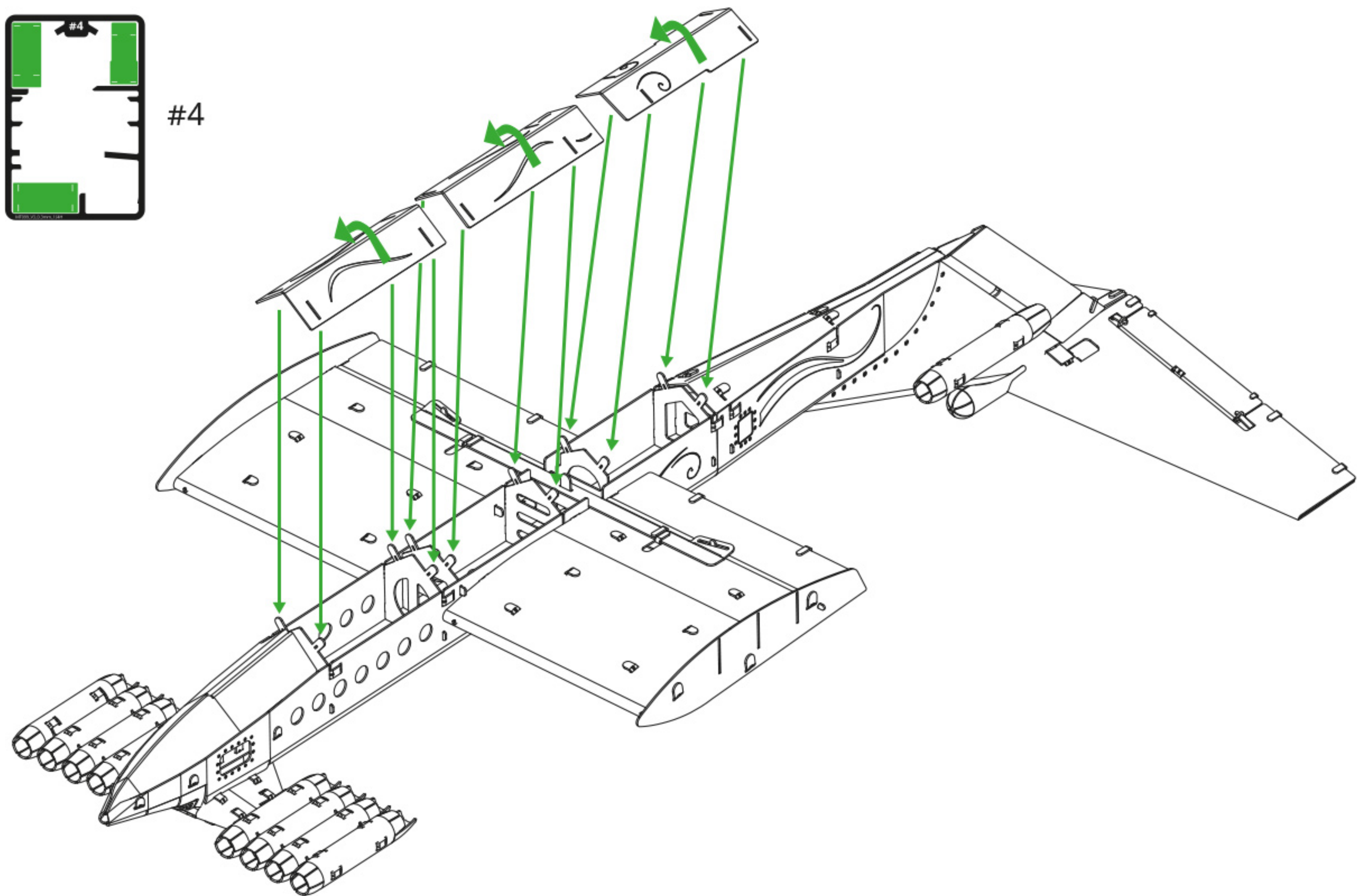
#4



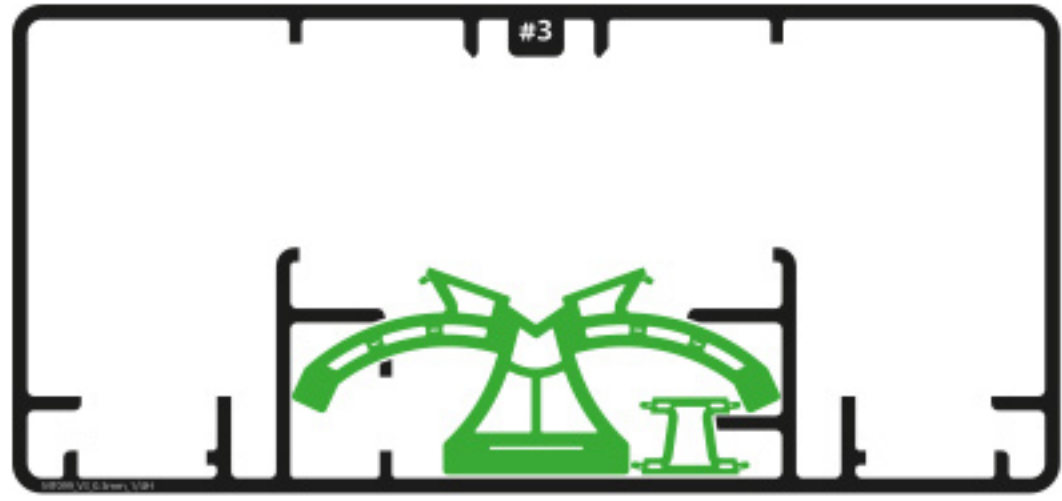




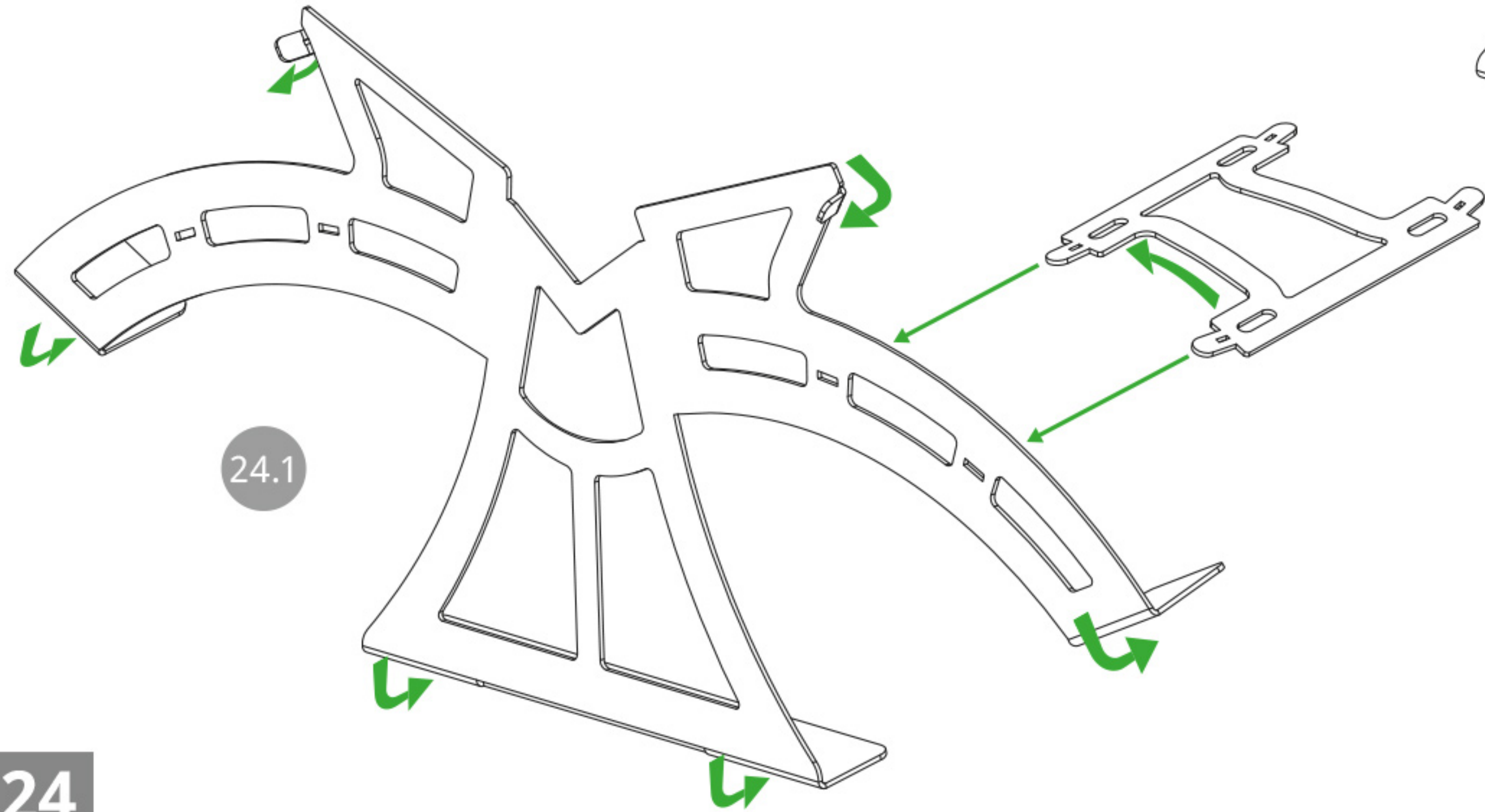
#4



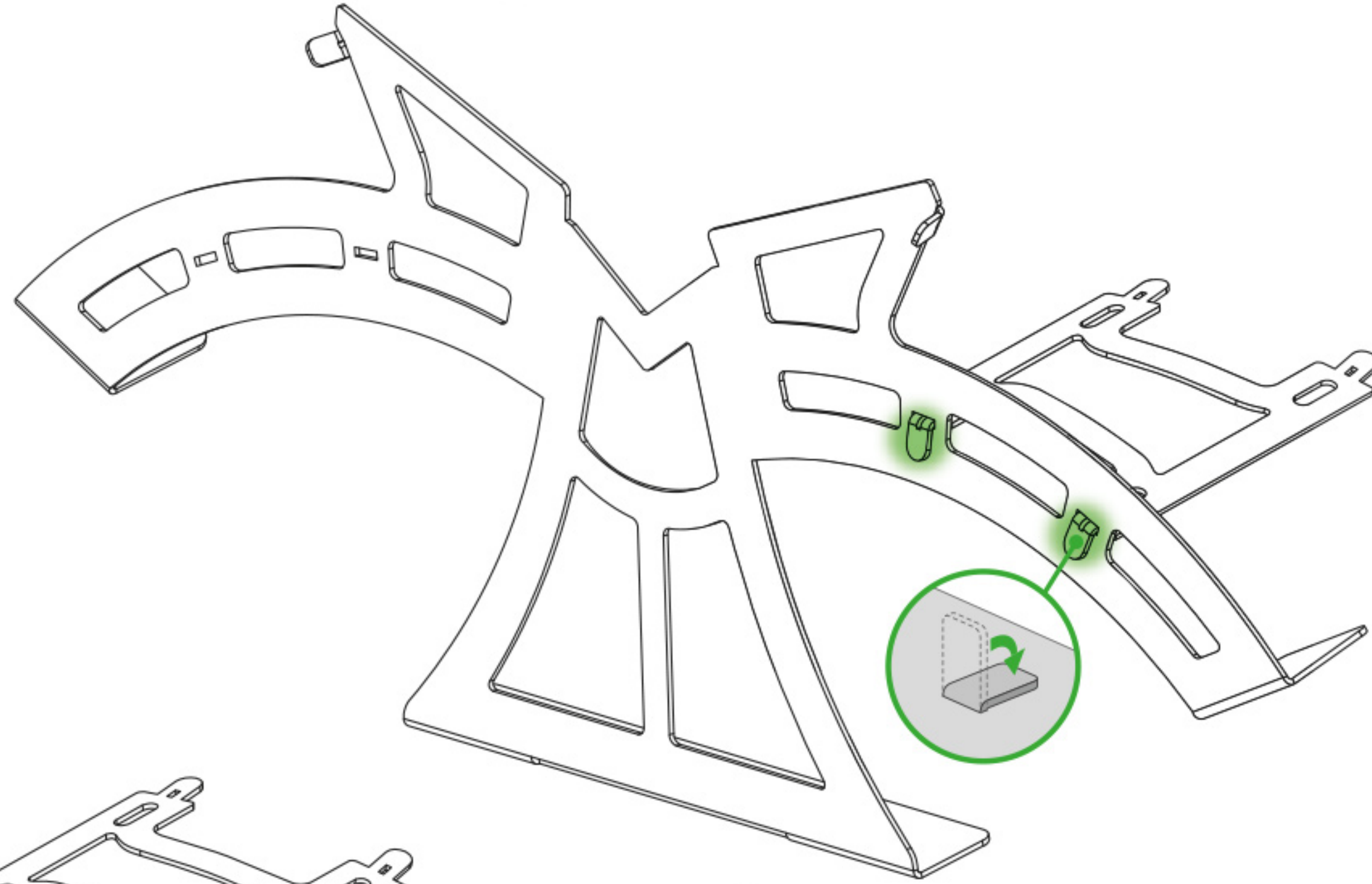




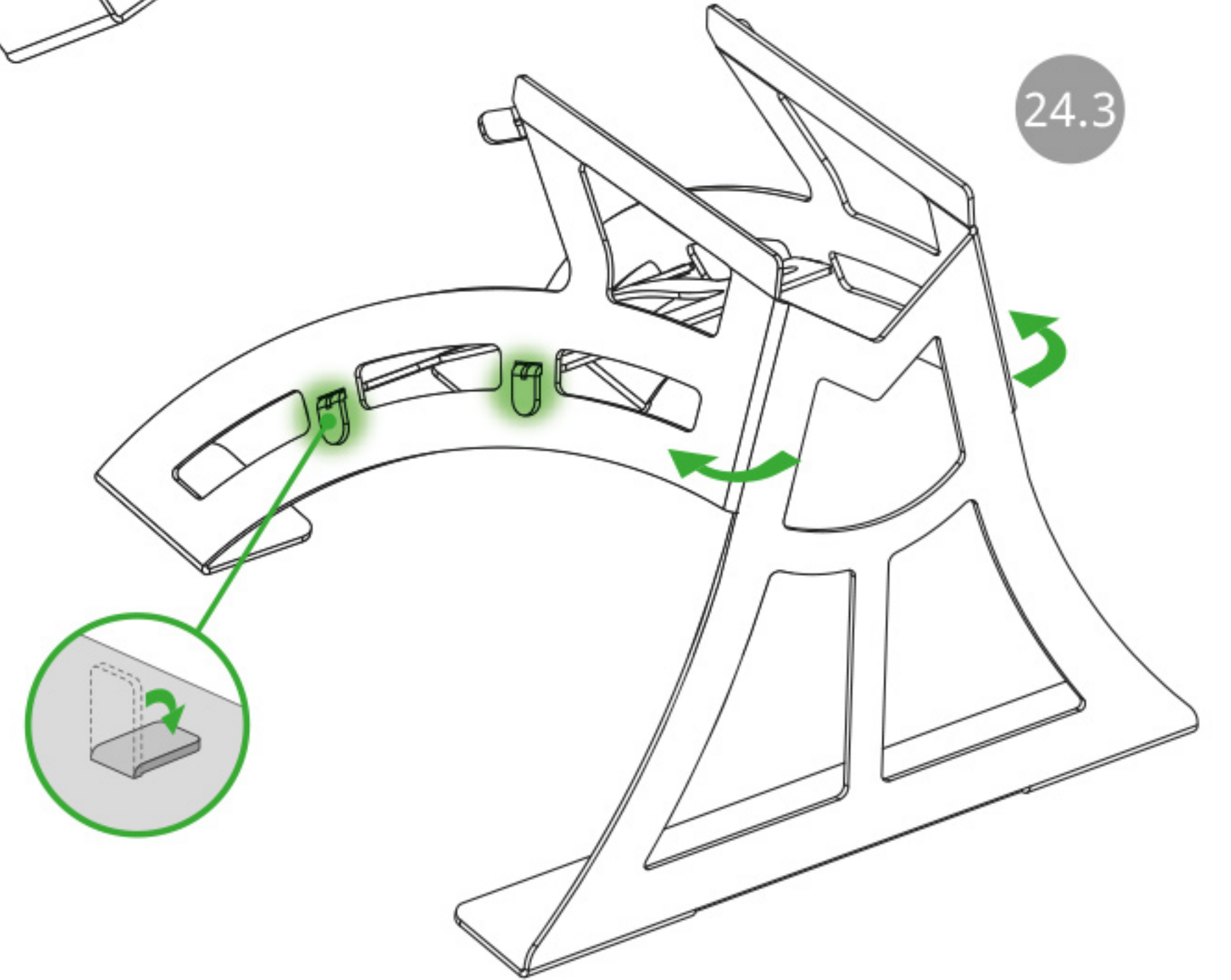
#3



24.1

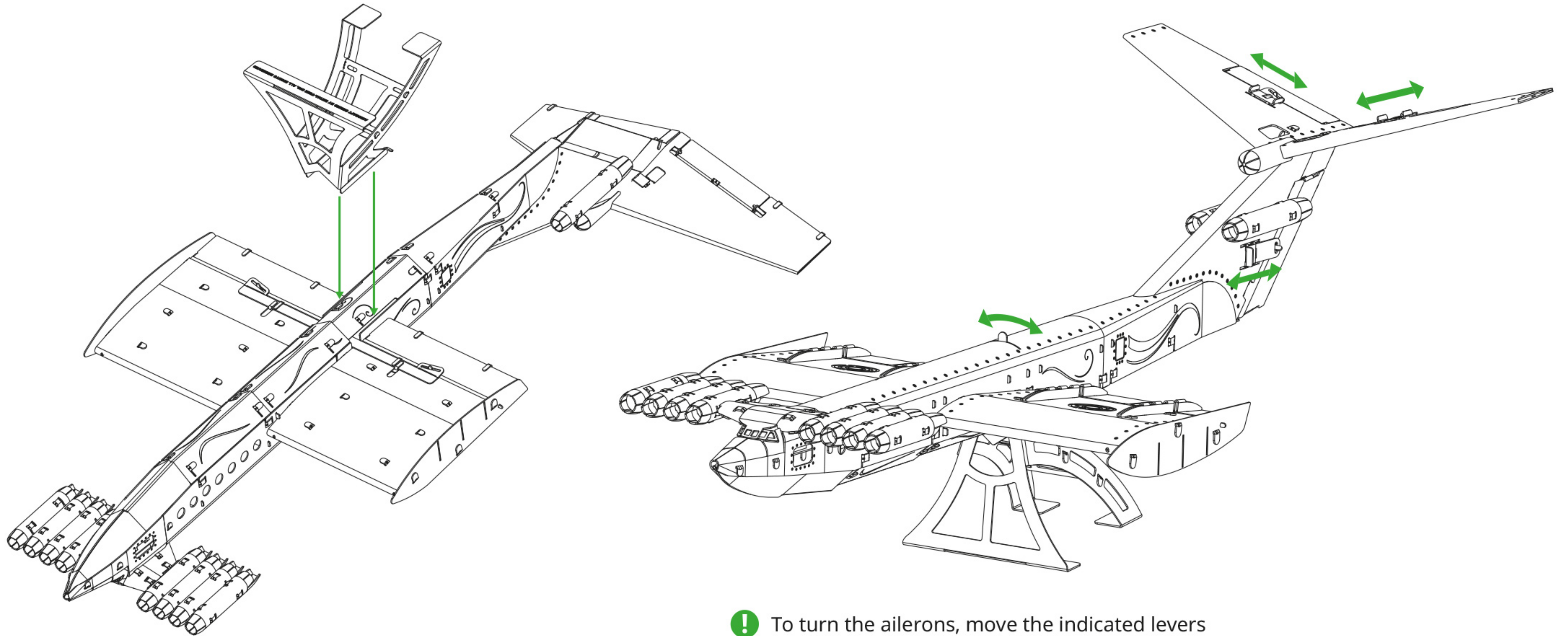


24.2



24.3





! To turn the ailerons, move the indicated levers





Model name:

# CASPIAN SEA MONSTER

Product number: SKU099

Product material: Stainless steel

Number of metal sheets: 4 pcs

Finish product size: L9.84" × W4.13" × H2.76" (L25 cm × W10,5cm × H7cm)


The KM, known colloquially as the Caspian Sea Monster, was an experimental ground effect vehicle developed in the 1960s.

Its surprise discovery by the United States and the subsequent attempts to determine its purpose became a distinctive event of espionage during the Cold War.

The KM remained the largest aircraft in the world during the entirety of its existence and is the second-largest aircraft ever built, behind the Antonov An-225 Mriya that flew for the first time in 1988.



Designed in Ukraine

 Made in China

## WARNING!

The product contains small and/or sharp parts. Not suitable for children under 3 years of age. Cut/remove the band that keeps the spring in place ONLY WITHIN the spring chamber/container. DO NOT cut the restraining band outside the assembled spring chamber, as the spring will unwind with force.

In order to avoid possible injury from sharp edges, please carefully discard the metal sheet after parts have been removed. This product is not a toy. Keep out of reach of children.

Conforms to CPSIA and CE standards. The product complies with the requirements of EN 71-1,2,3; ASTM F963, REACH, AS/NZS 8124, GB 6675



Difficulty level

No expiration date

MODEL  
BUILDING  
KIT

@hobbadd.cn

霍布德



Collect the Best

**Includes:** steel sheets, pliers, file, polishing cloth, user's guide.

ALL RIGHTS RESERVED  
© Metal-Time Inc., USA

www.metal-time.com  
info@metal-time.com