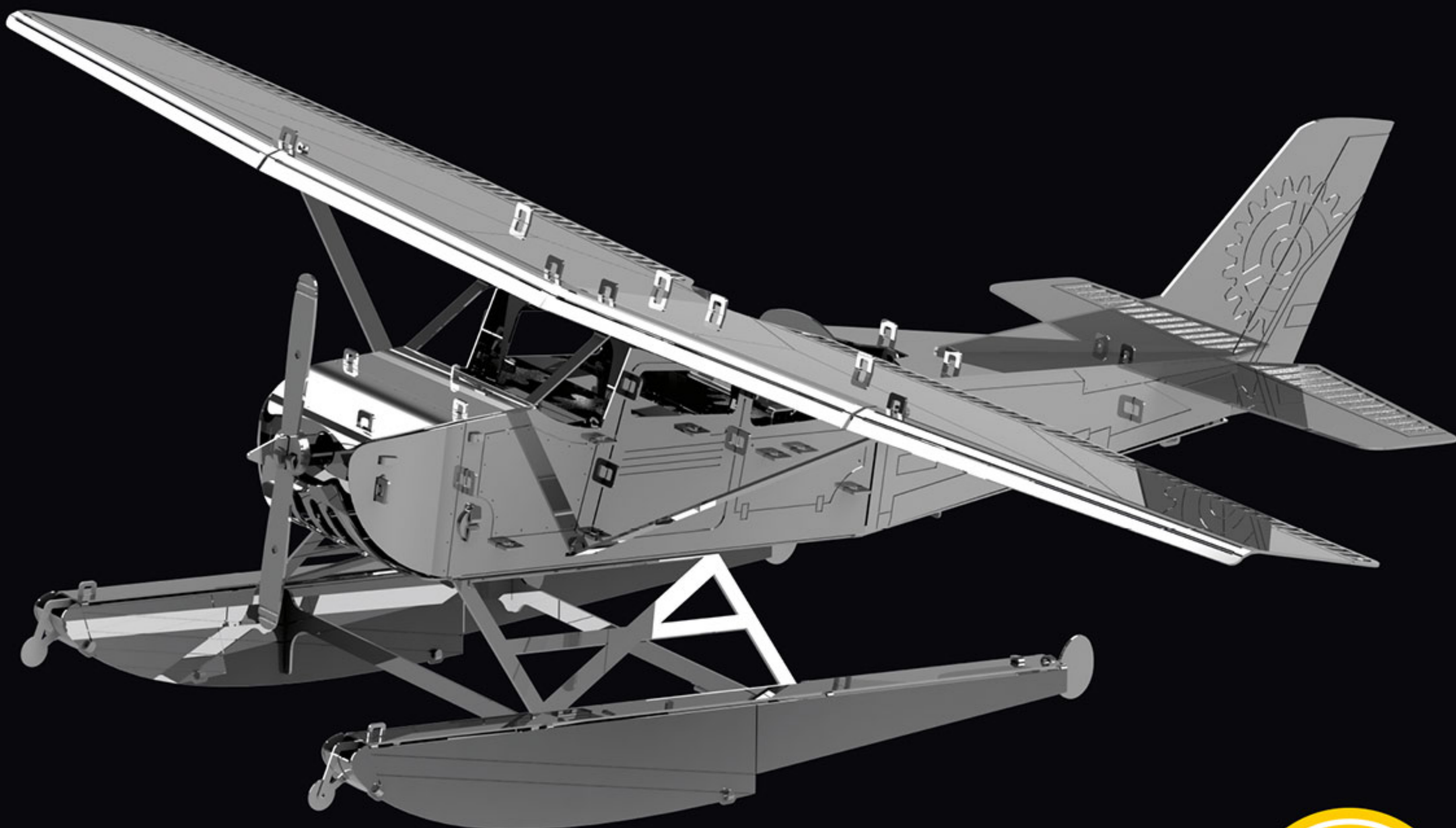




**METAL[®]
TIME**



BREEZE DRIFTER

3D Metal Mechanical Model Building Kit

Assembly instructions

Collect the Best

81 PIECES

5  hours

Stainless Steel / Metal Craft
Wind-up moving mechanism

AGES
14+

WARNING! PLEASE READ THESE INSTRUCTIONS CAREFULLY BEFORE ASSEMBLY AND USE

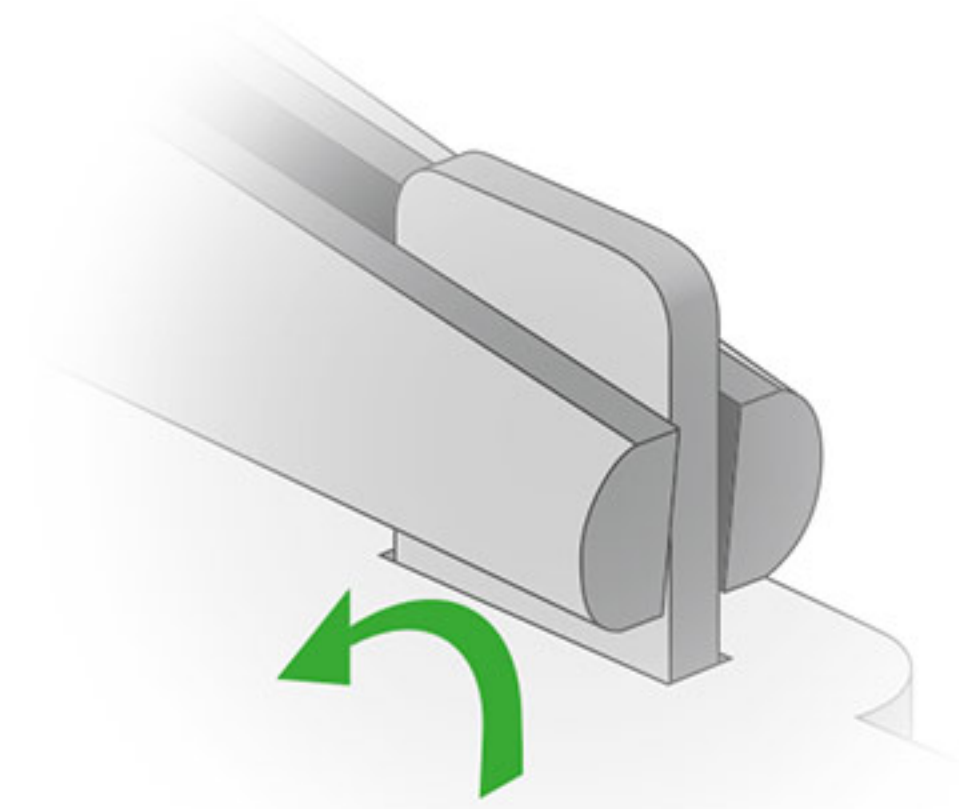
When assembling the model, don't rush, avoid pointing details at yours or anyone else's face. If one of the parts has a sharp edge, please file it down. Use pliers and additional tools to assemble the model. Each kit contains a cloth for wiping and polishing the model once it's assembled. If needed, you may choose to apply a small amount of siliconbased grease to the spring and the mechanism; however, this is not a requirement for the mechanism to function properly. The mechanism will perform at its best in the absence of excessive friction or excessive play of its parts

WARNING! Product contains small parts and sharp parts. Not suitable for children under 3 years of age

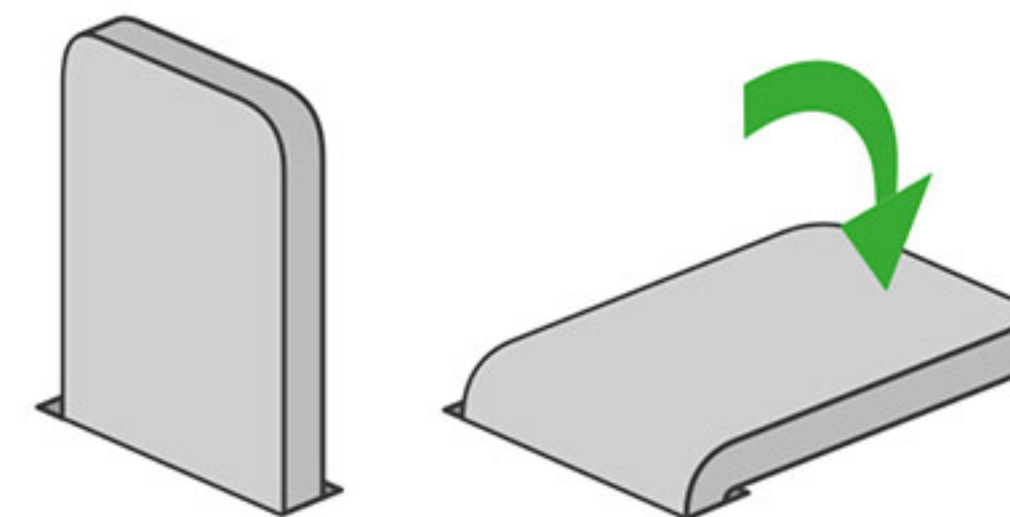
WARNING! Cut/remove the band that keeps the spring in place **ONLY WITHIN** the spring chamber / container. **DO NOT** cut the restraining band outside the assembled spring chamber, as the spring will unwind with force

Model for collectors, suitable for children 14+

STANDARD FIXING OF FASTENERS



Use pliers to bend the fastener

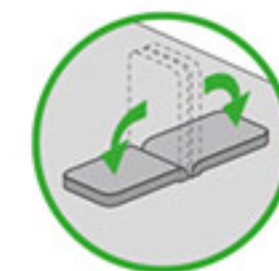


If there are no additional designations, use the standard fixing method

SYMBOLS



Bend the eyelet 90°



Bend the ears 90°



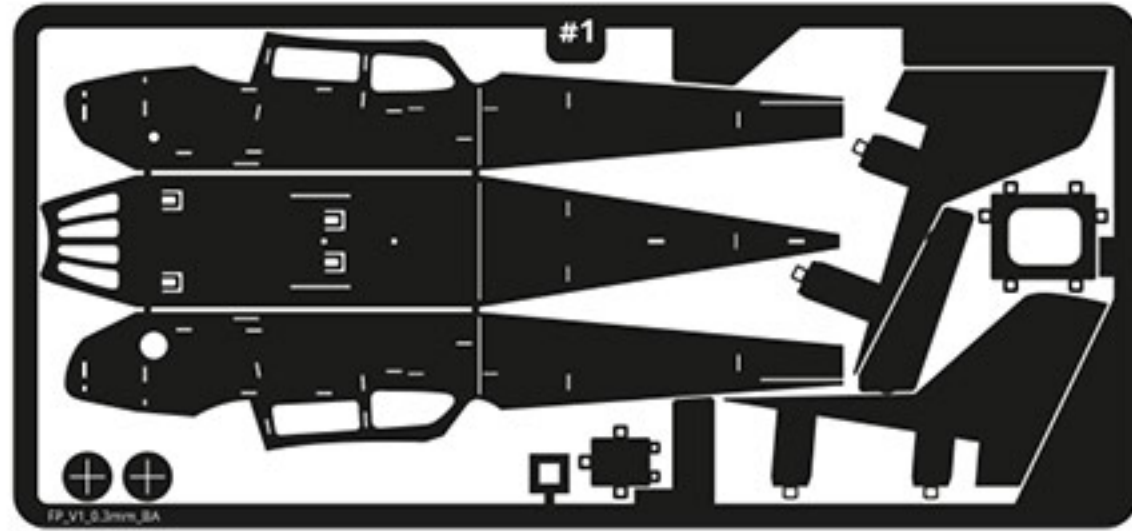
Twist the eyelet 45°



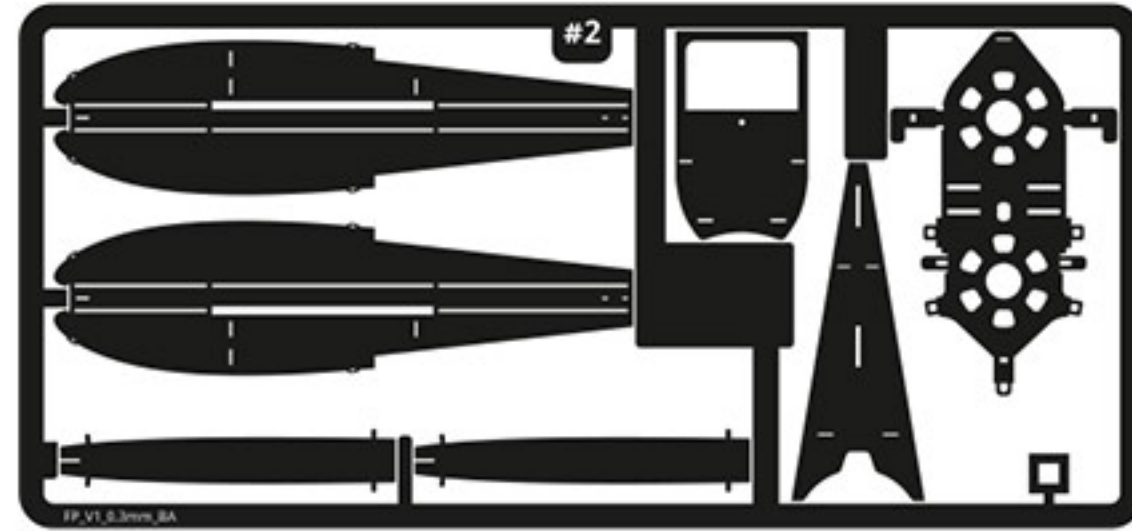
Assemble/bend parts symmetrically



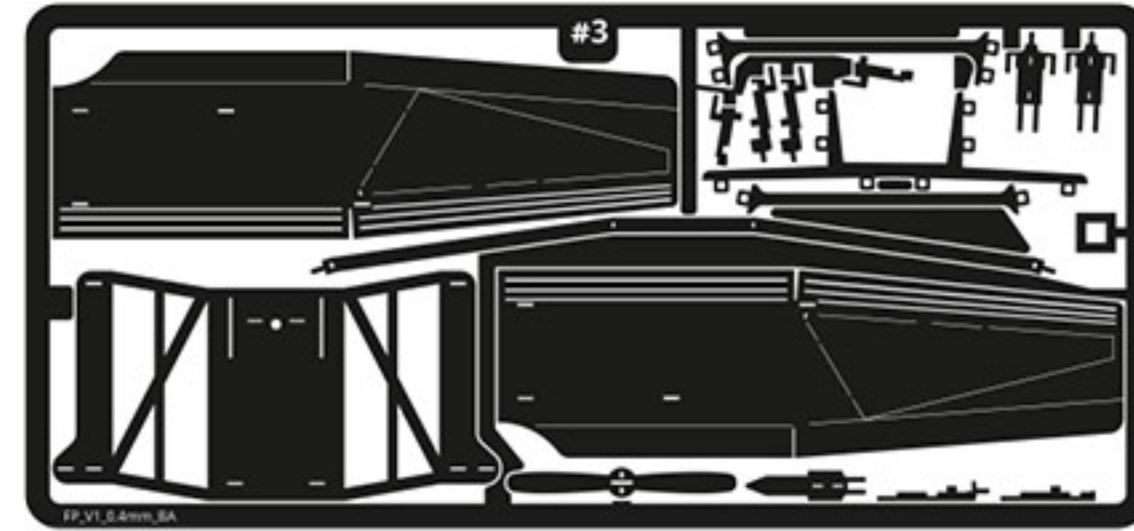
MODEL PARTS AND ASSEMBLY TOOLS



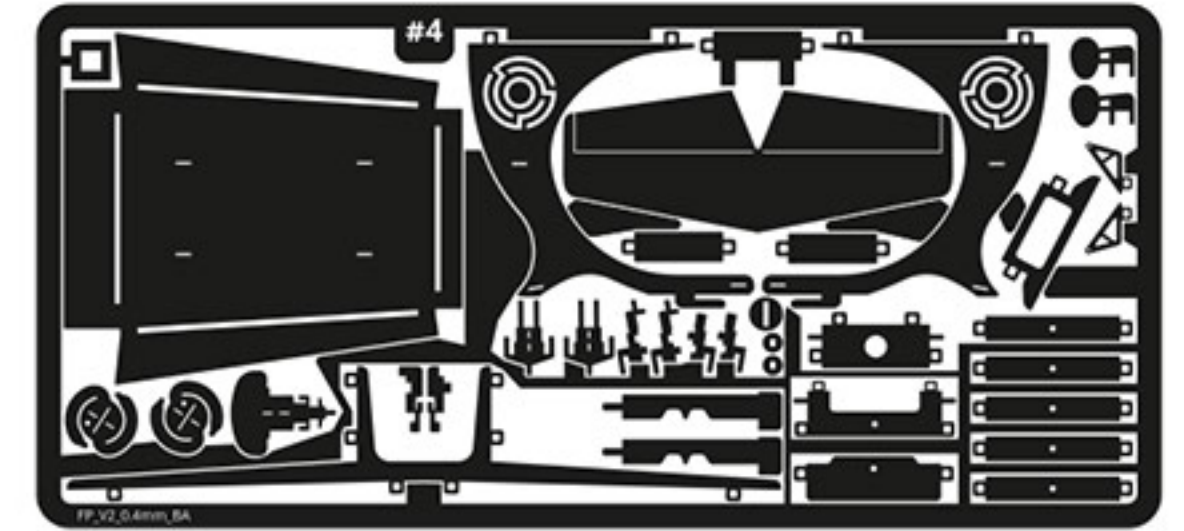
#1



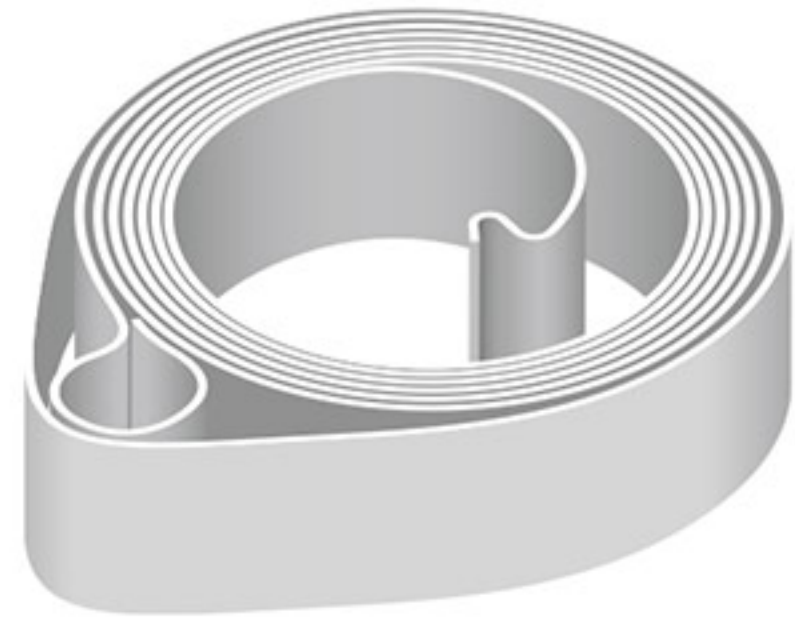
#2



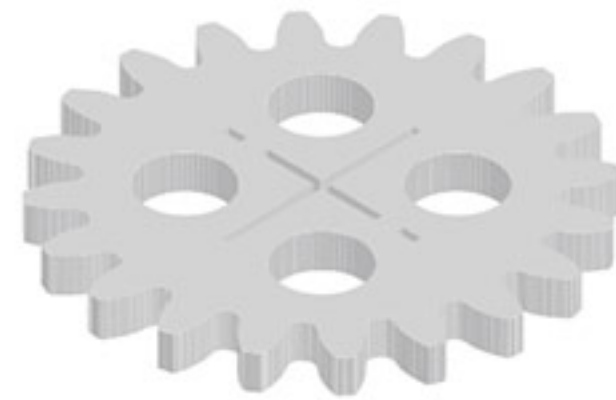
#3



#4



Spring



G1x4



G2



G3



G4x4



D1

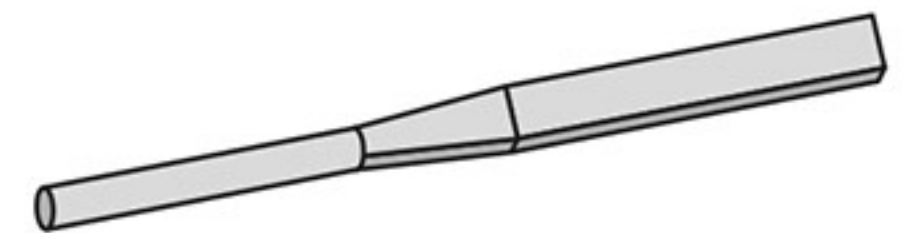
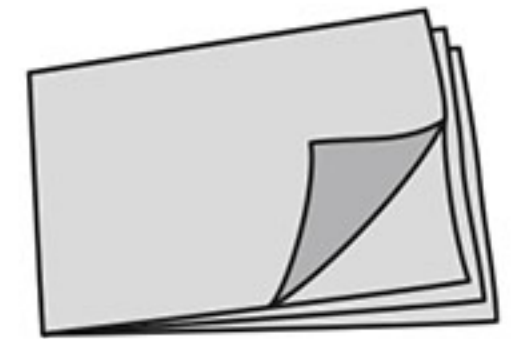
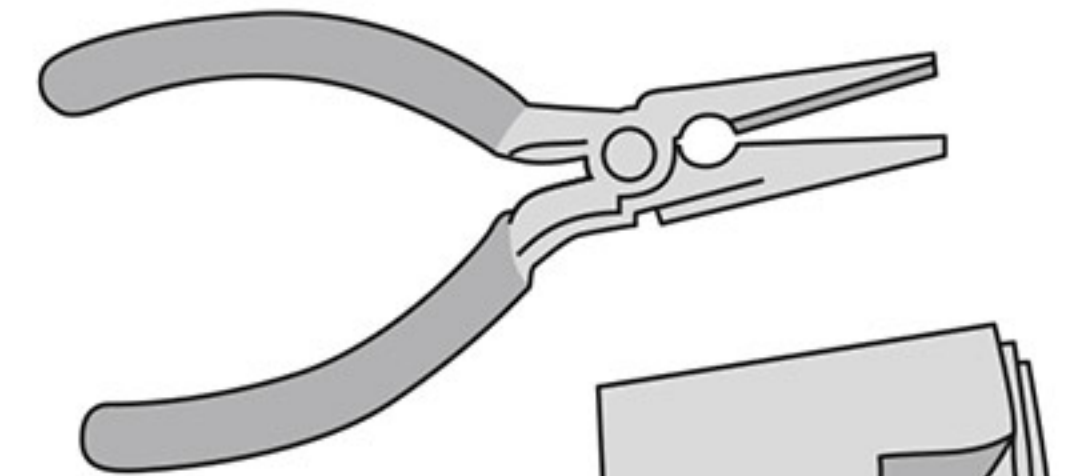


D2

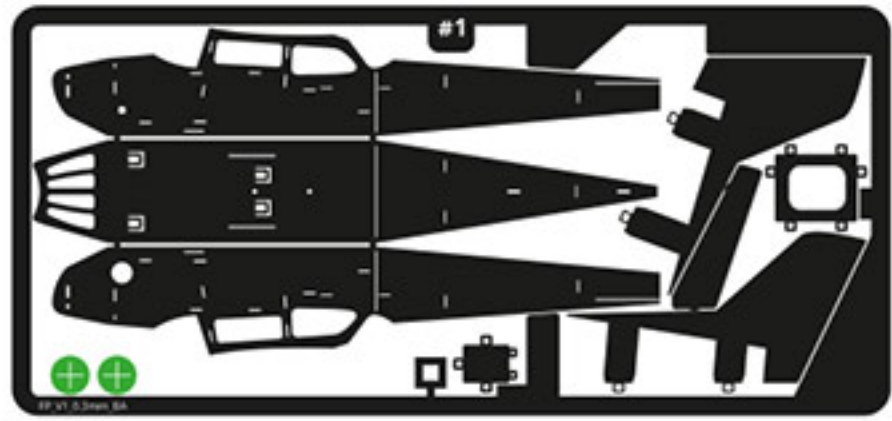


D3

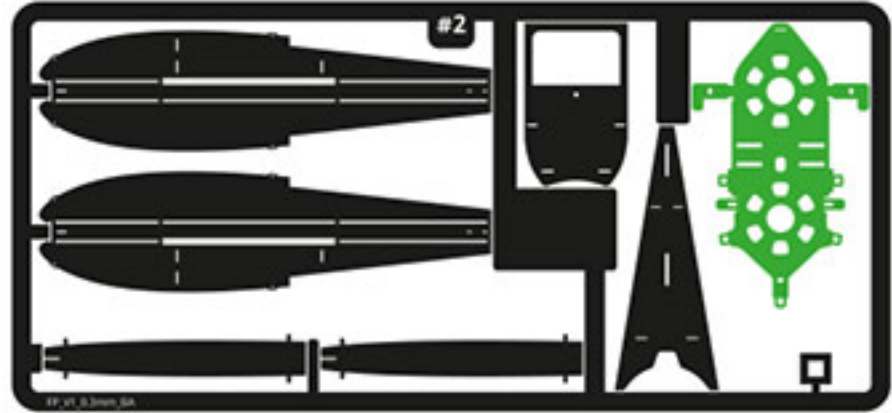
Metal parts



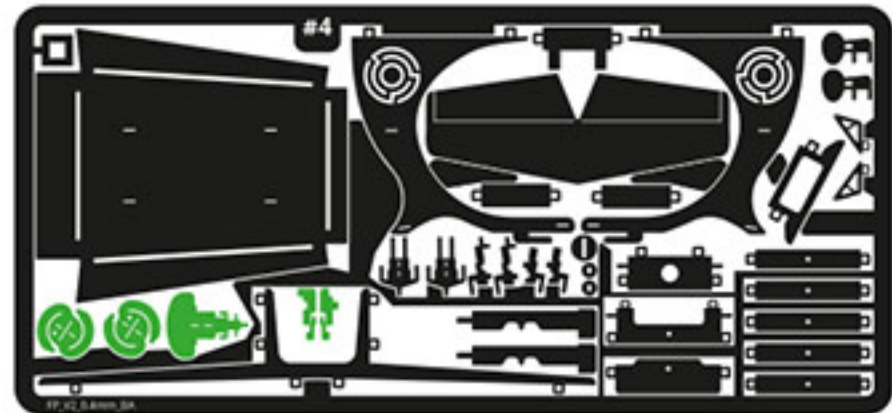
Tools



#1



#2



#4



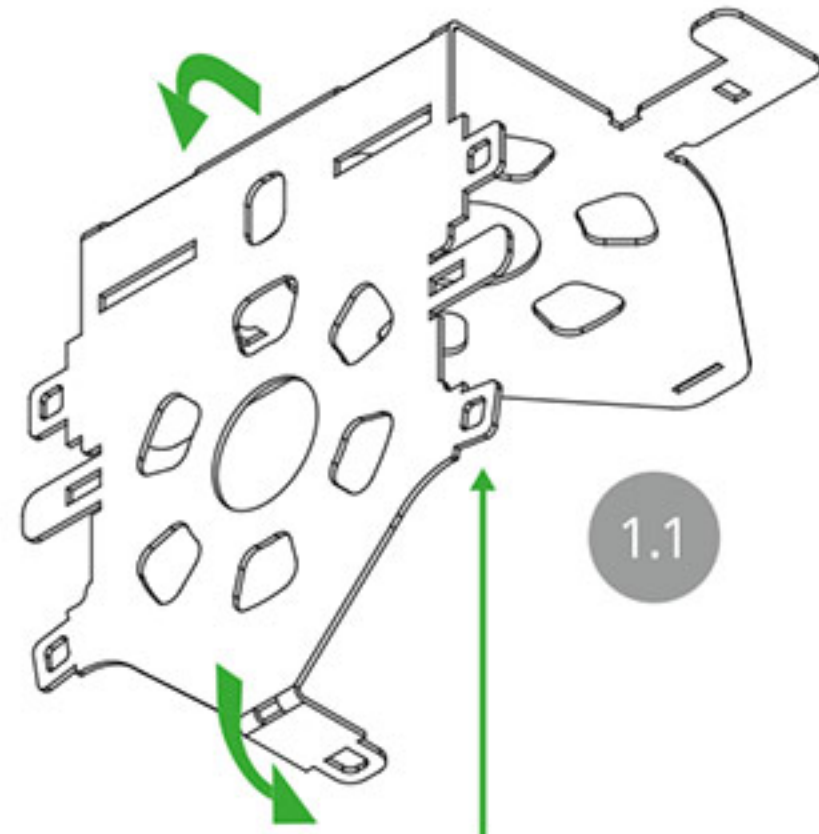
G2



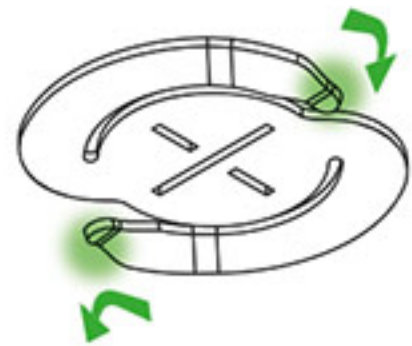
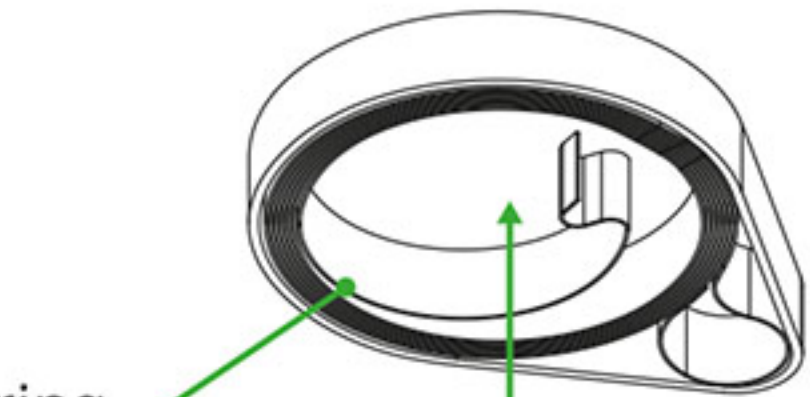
D1



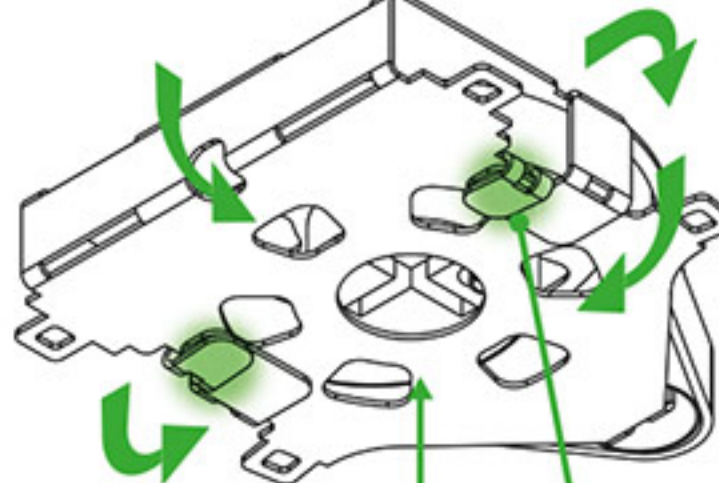
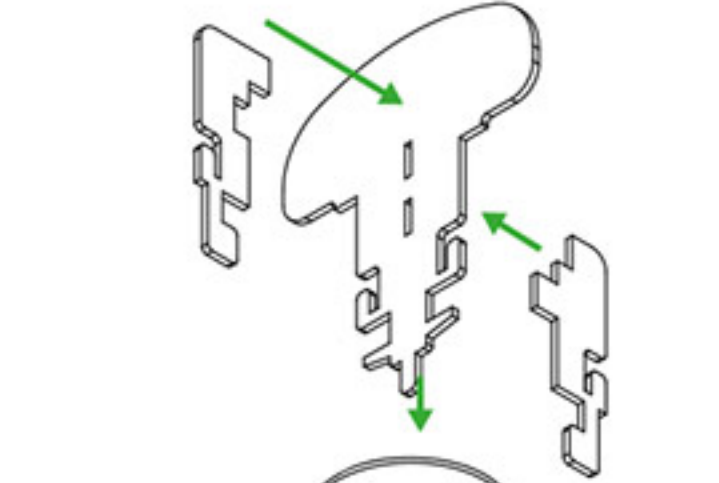
D2



Spring



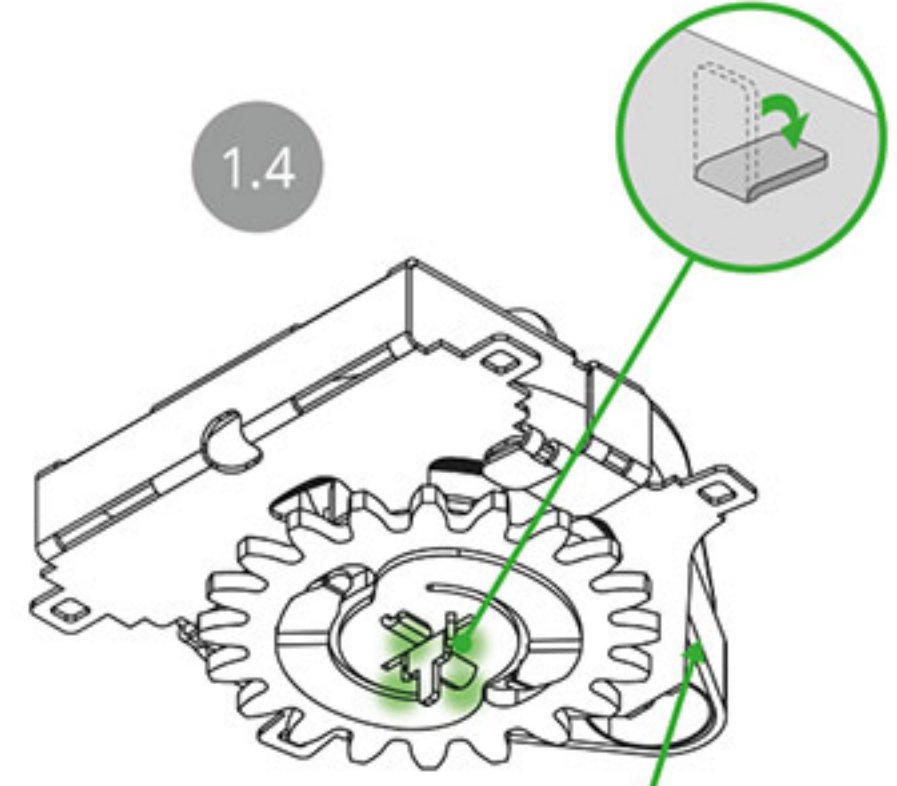
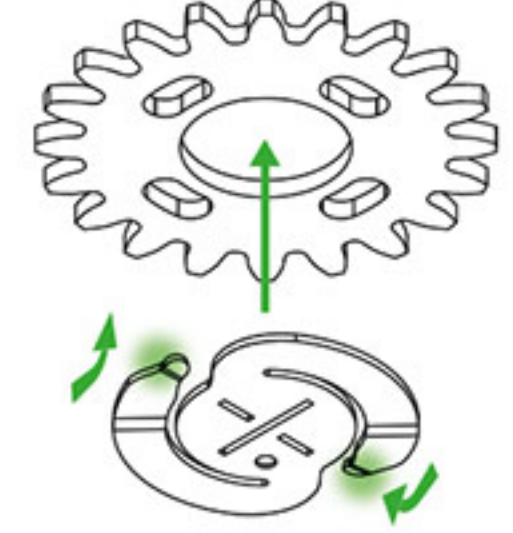
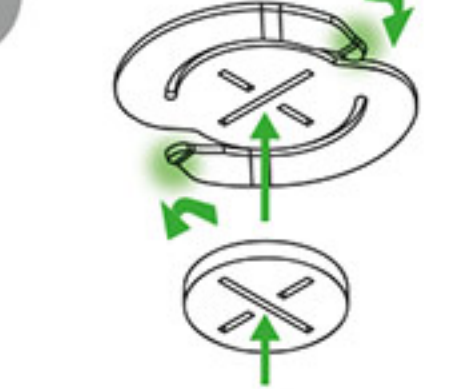
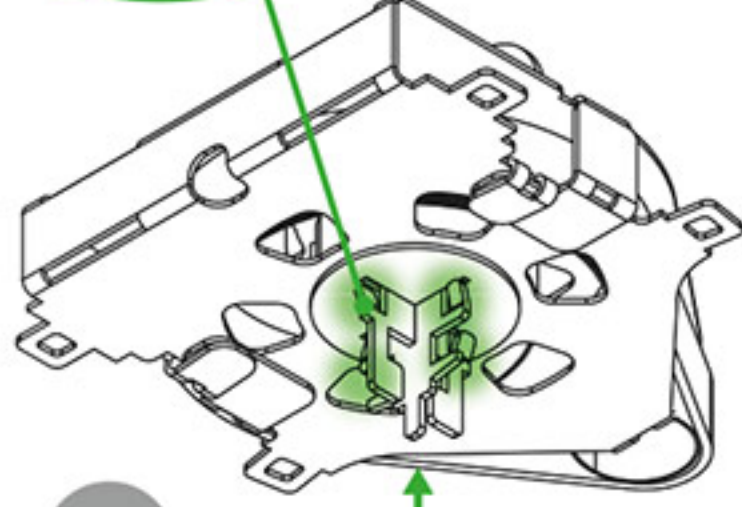
1.1



1.2



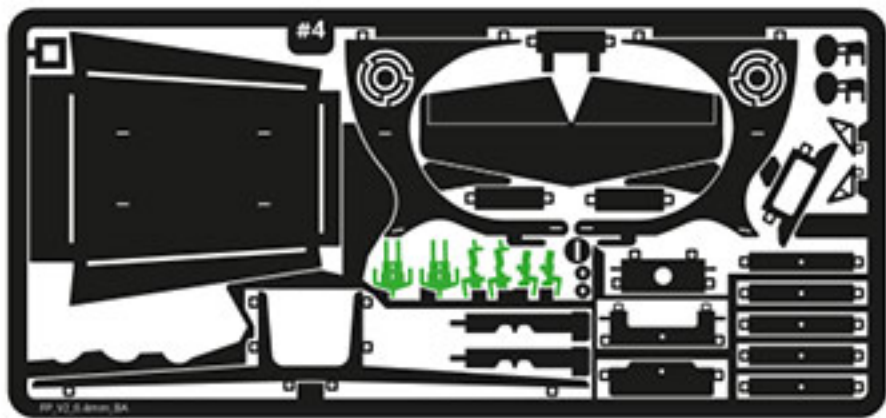
1.3



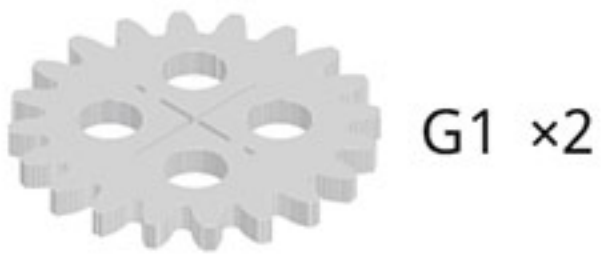
1.4



Cut the band after assembly



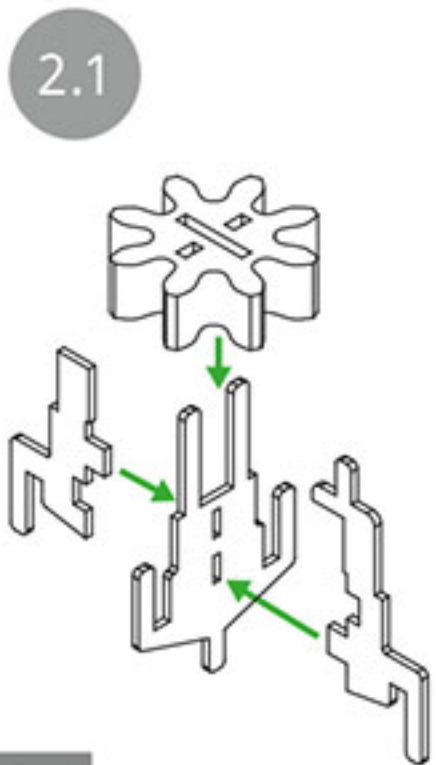
#4



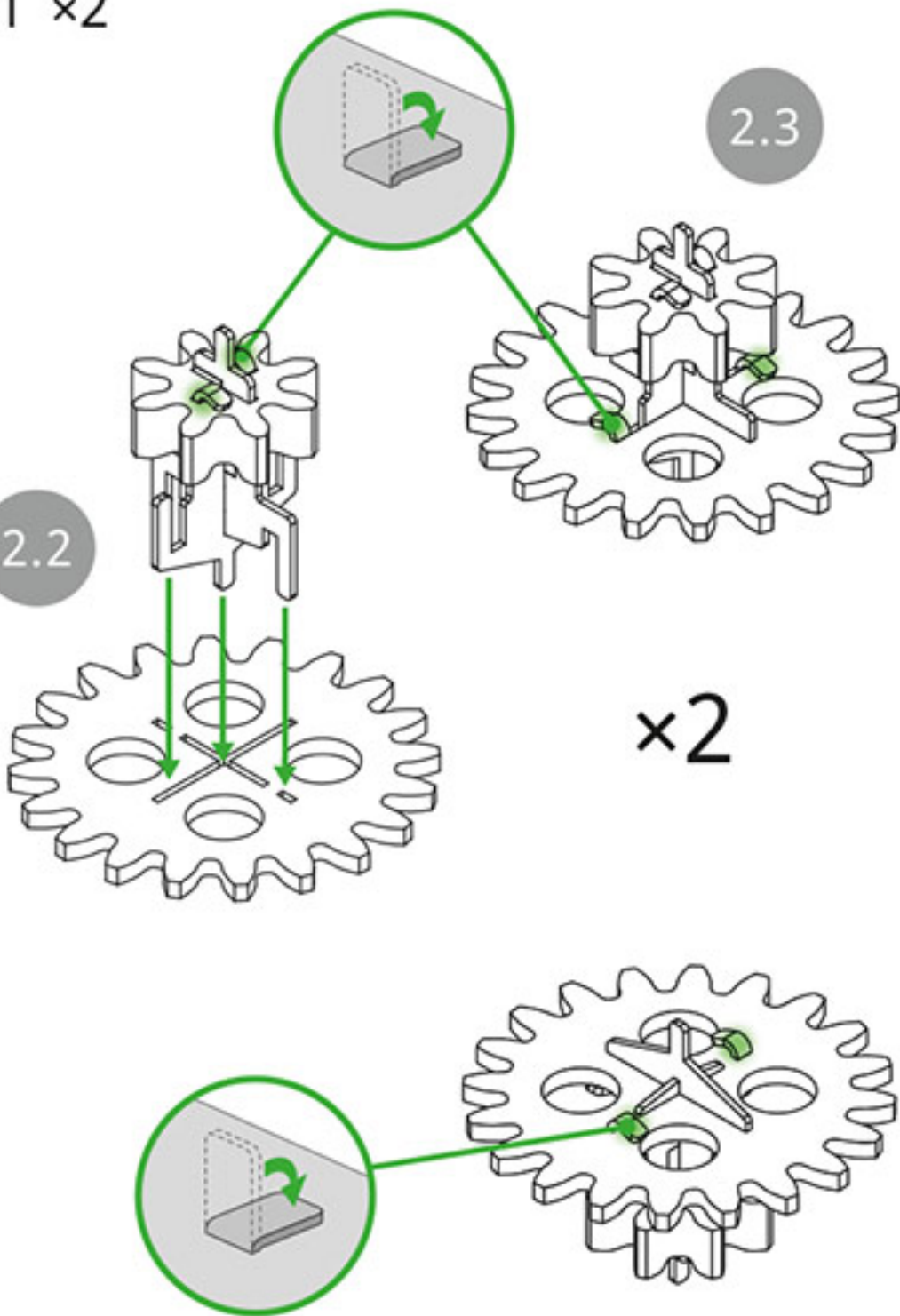
G1 x2



G4 x2



2.1

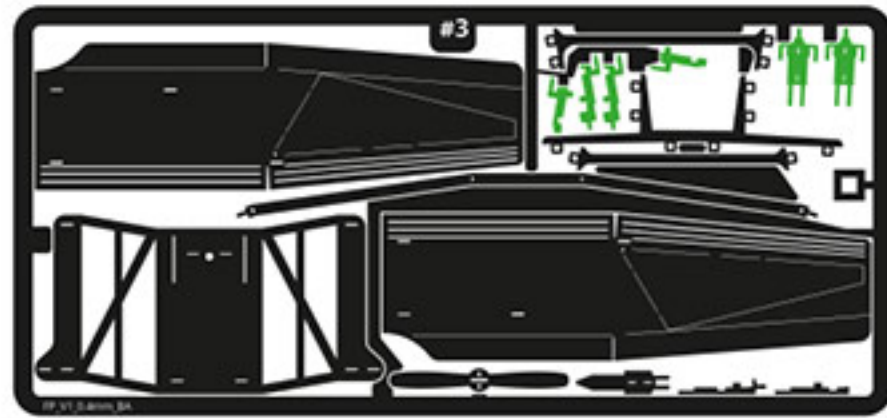


2.2

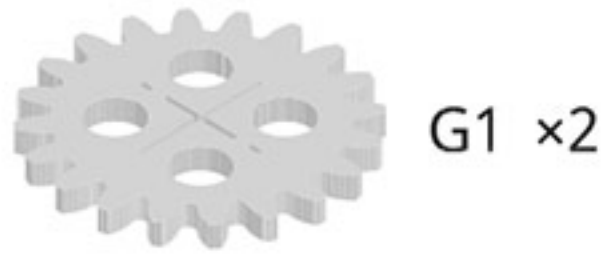
2.3

x2

2



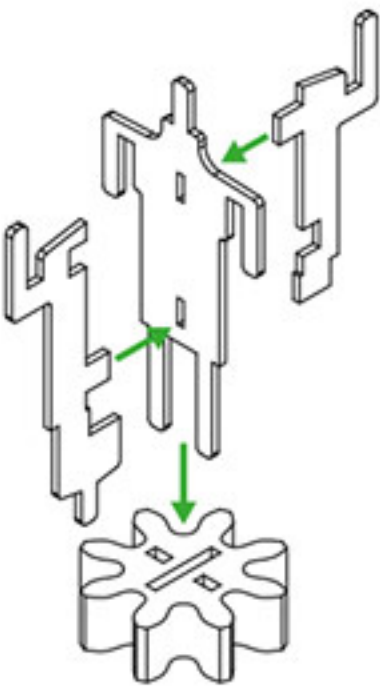
#3



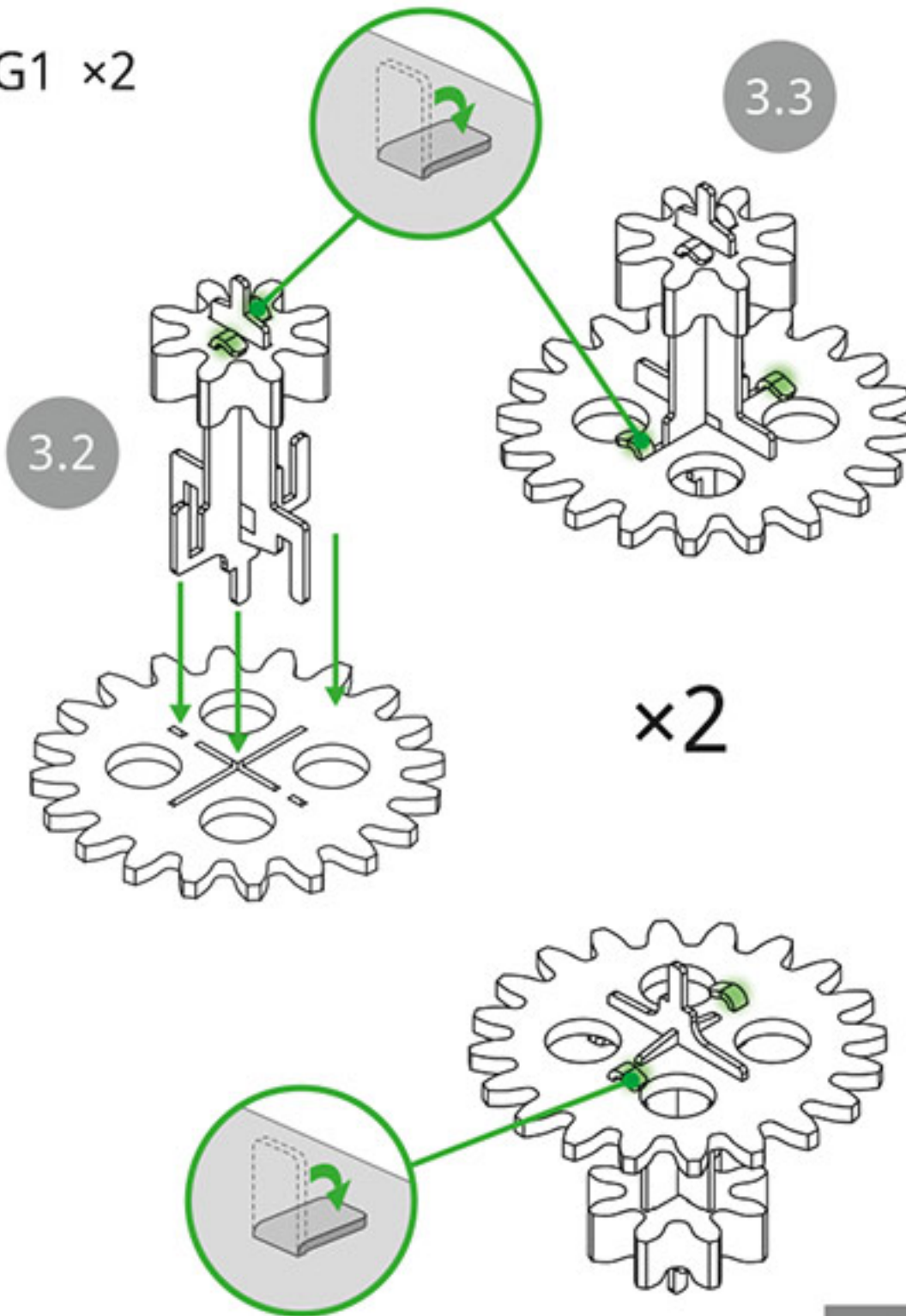
G1 x2



G4 x2



3.1

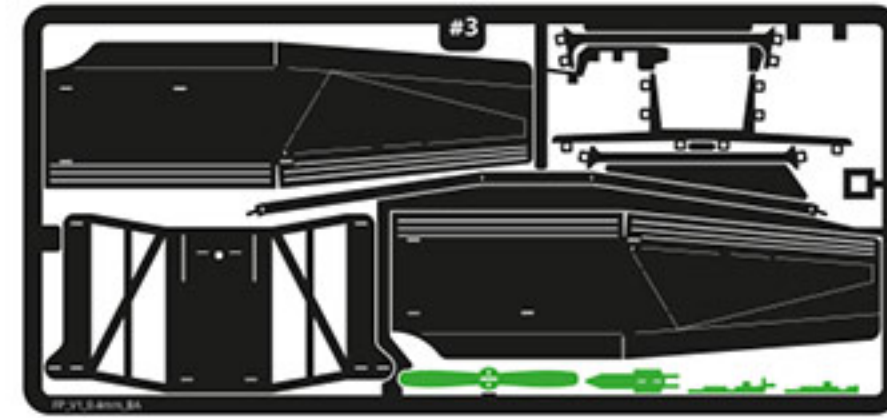


3.2

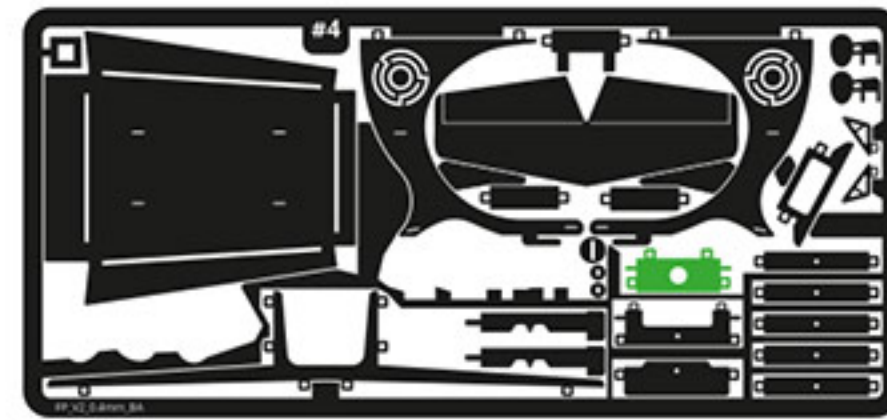
3.3

x2

5



#3



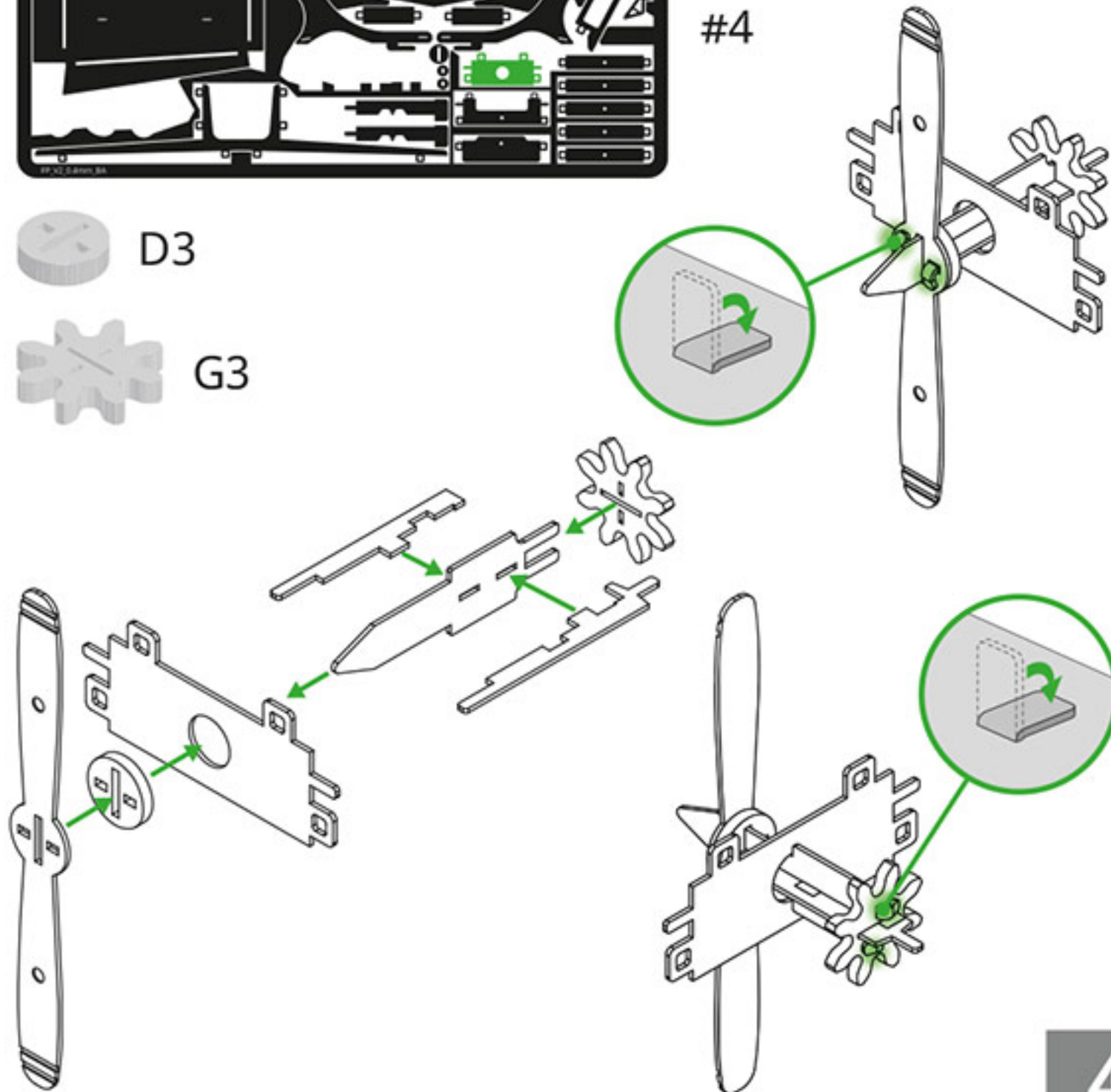
#4



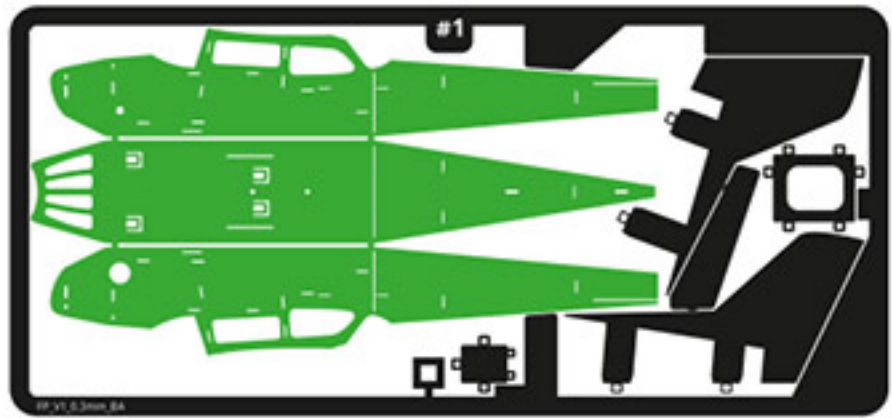
D3



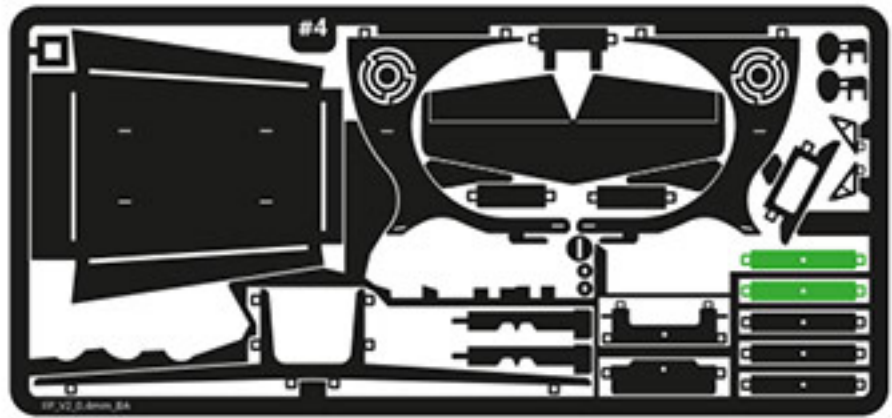
G3



4

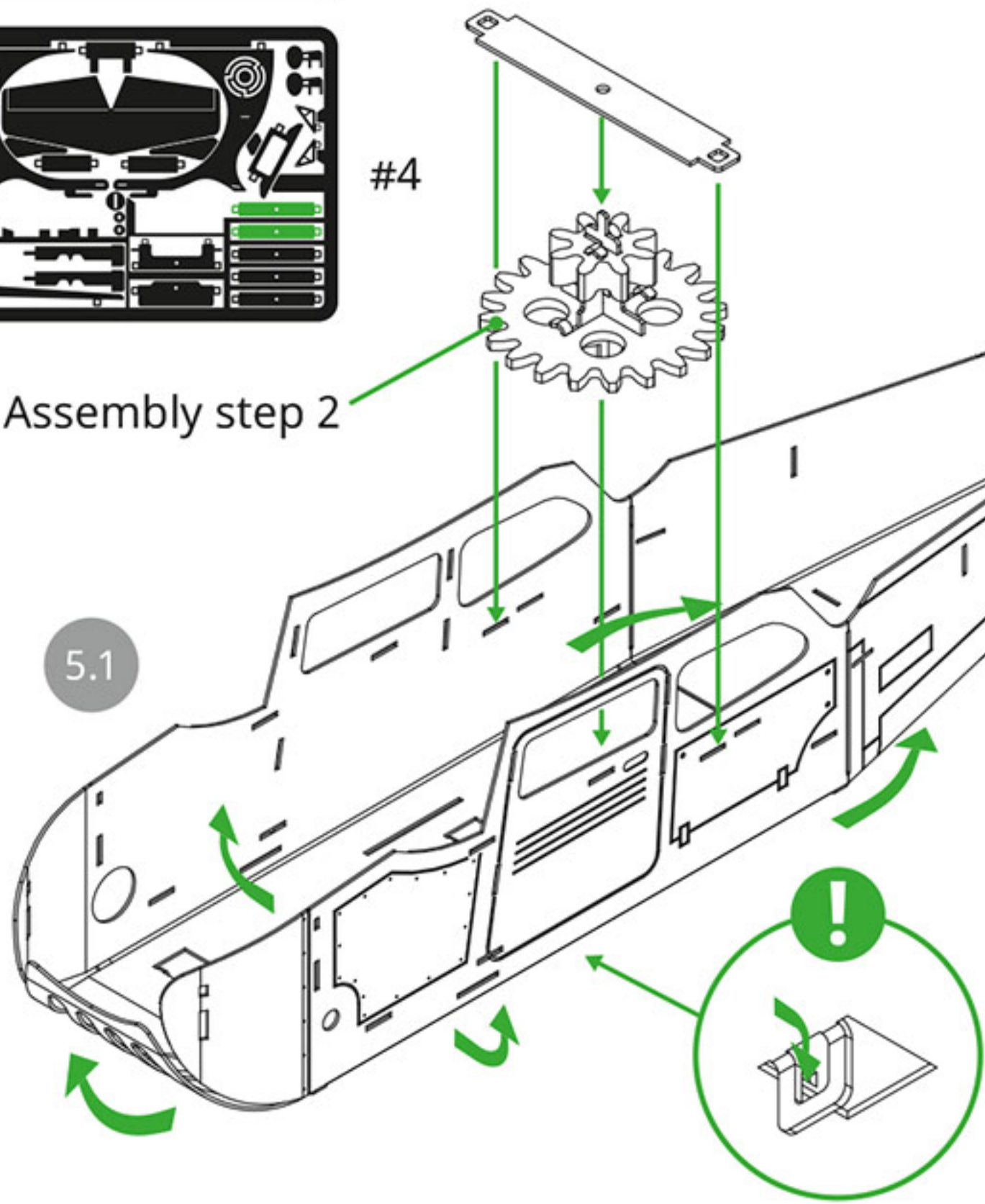


#1



#4

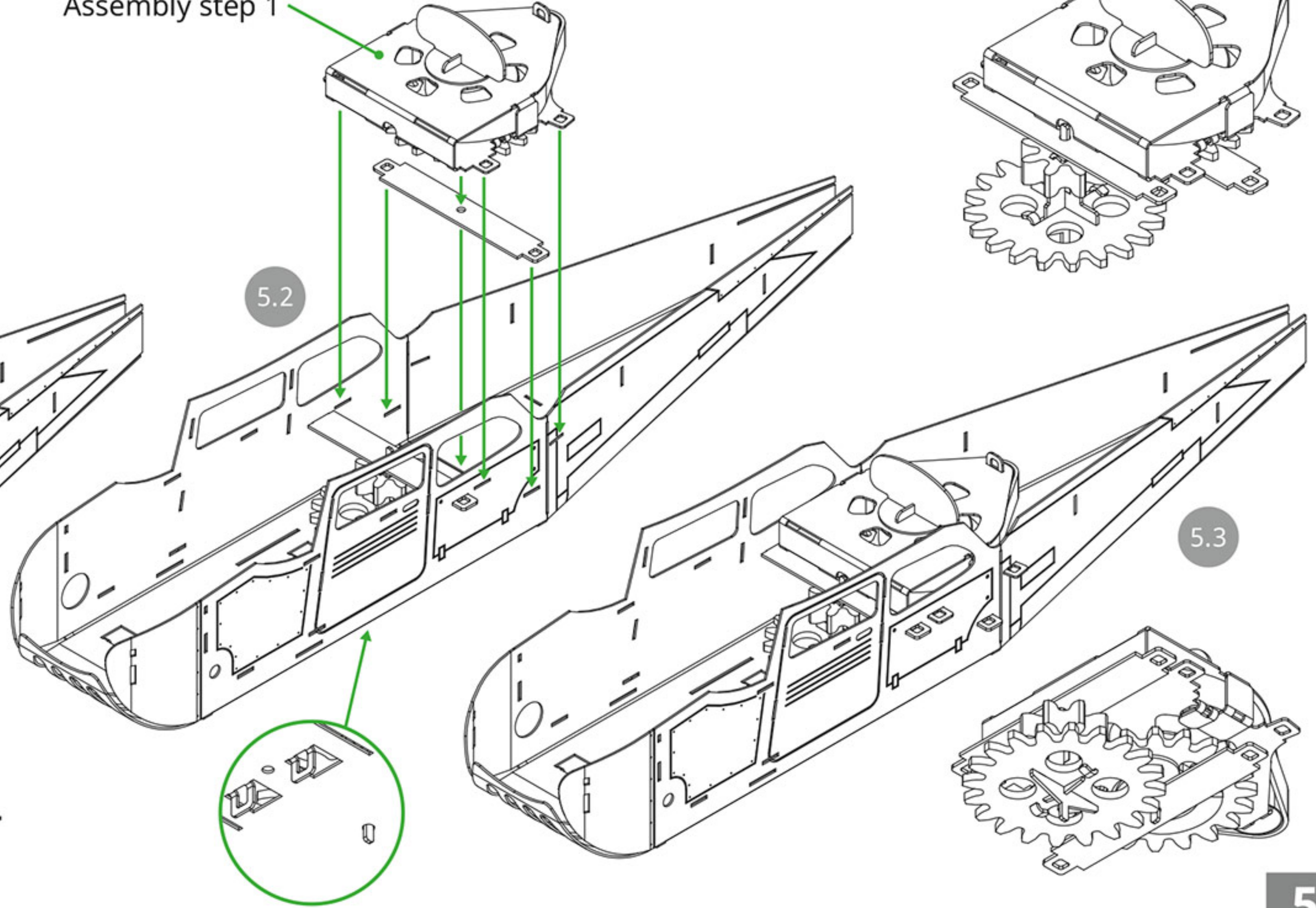
Assembly step 2



5.1

x4

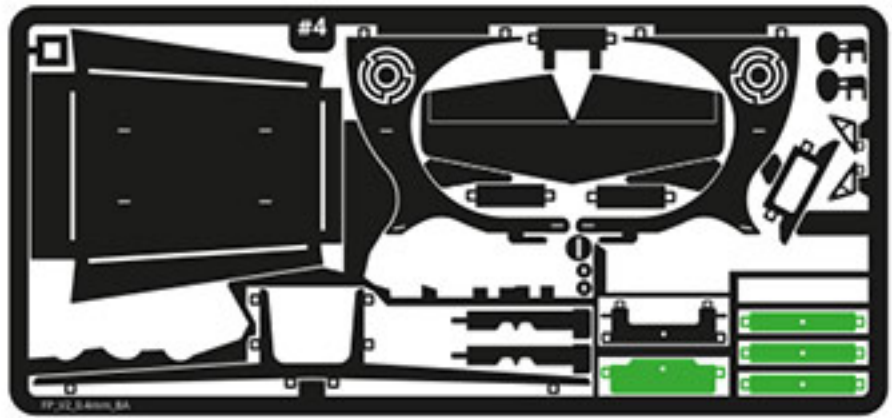
Assembly step 1



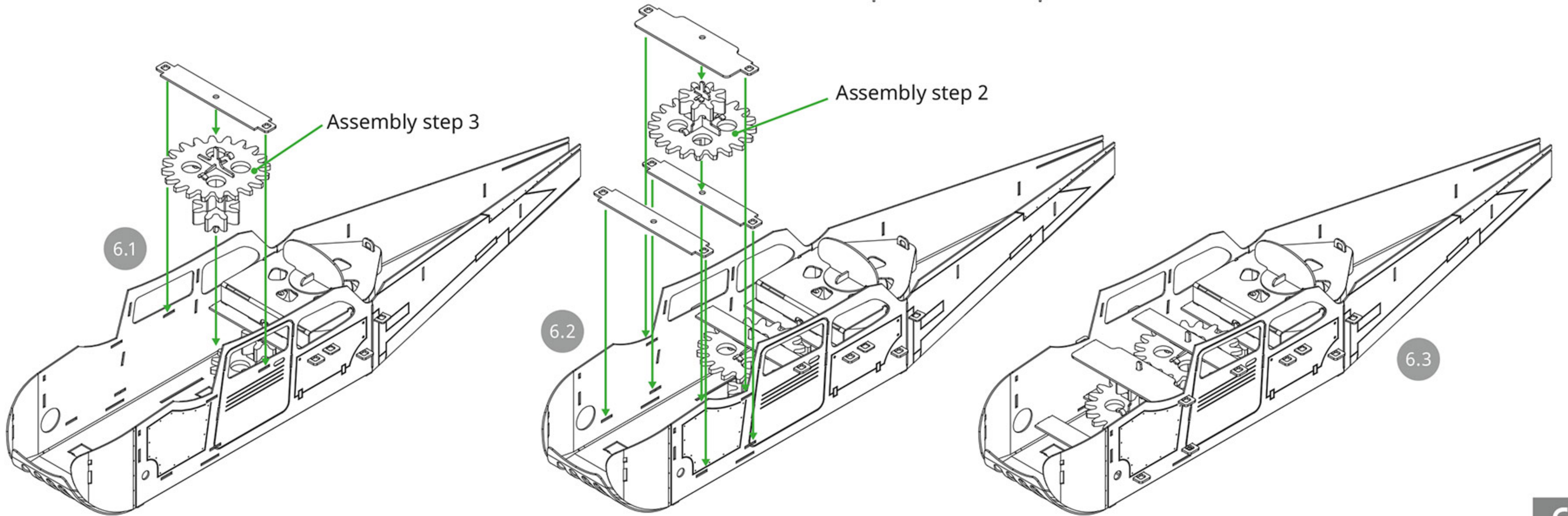
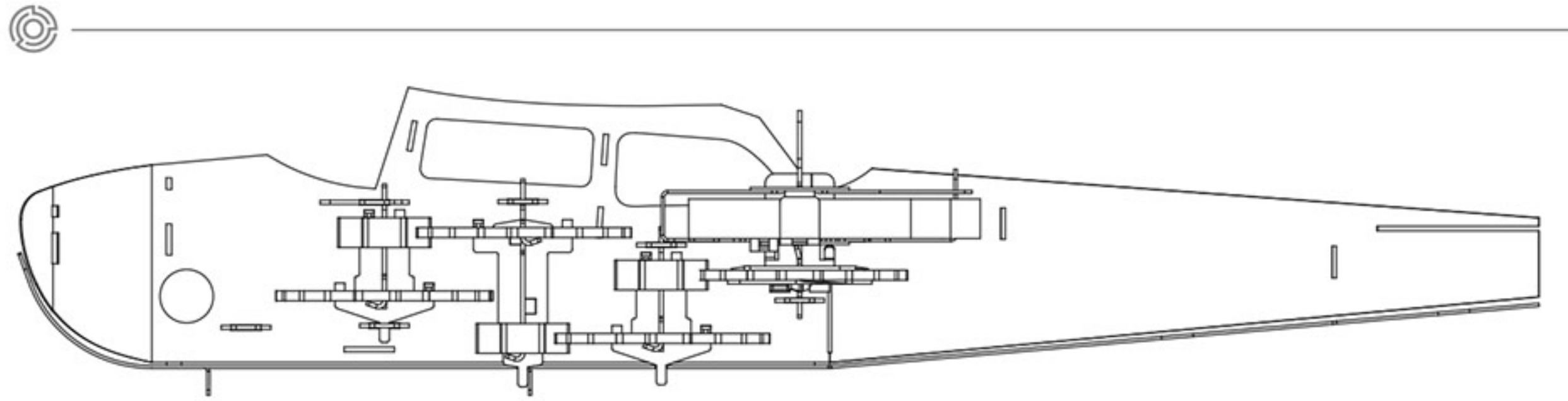
5.2

5.3

5



#4



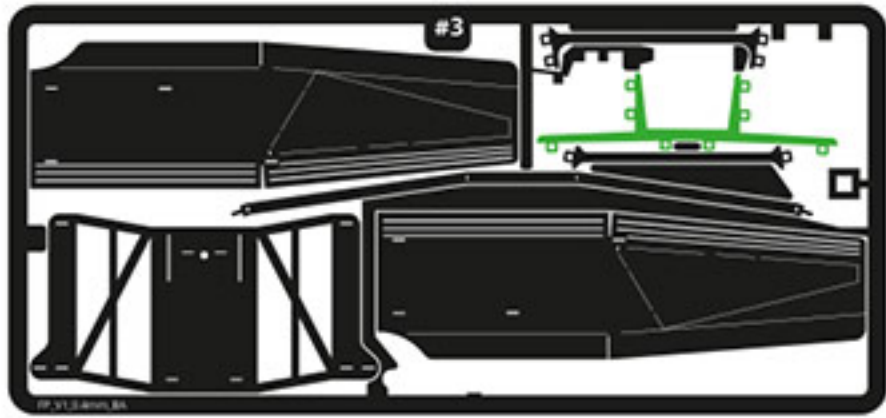
6.1

Assembly step 3

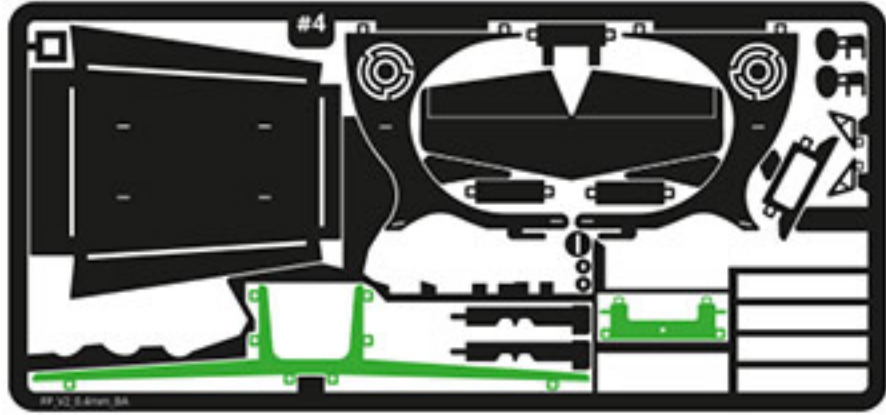
Assembly step 2

6.2

6.3



#3

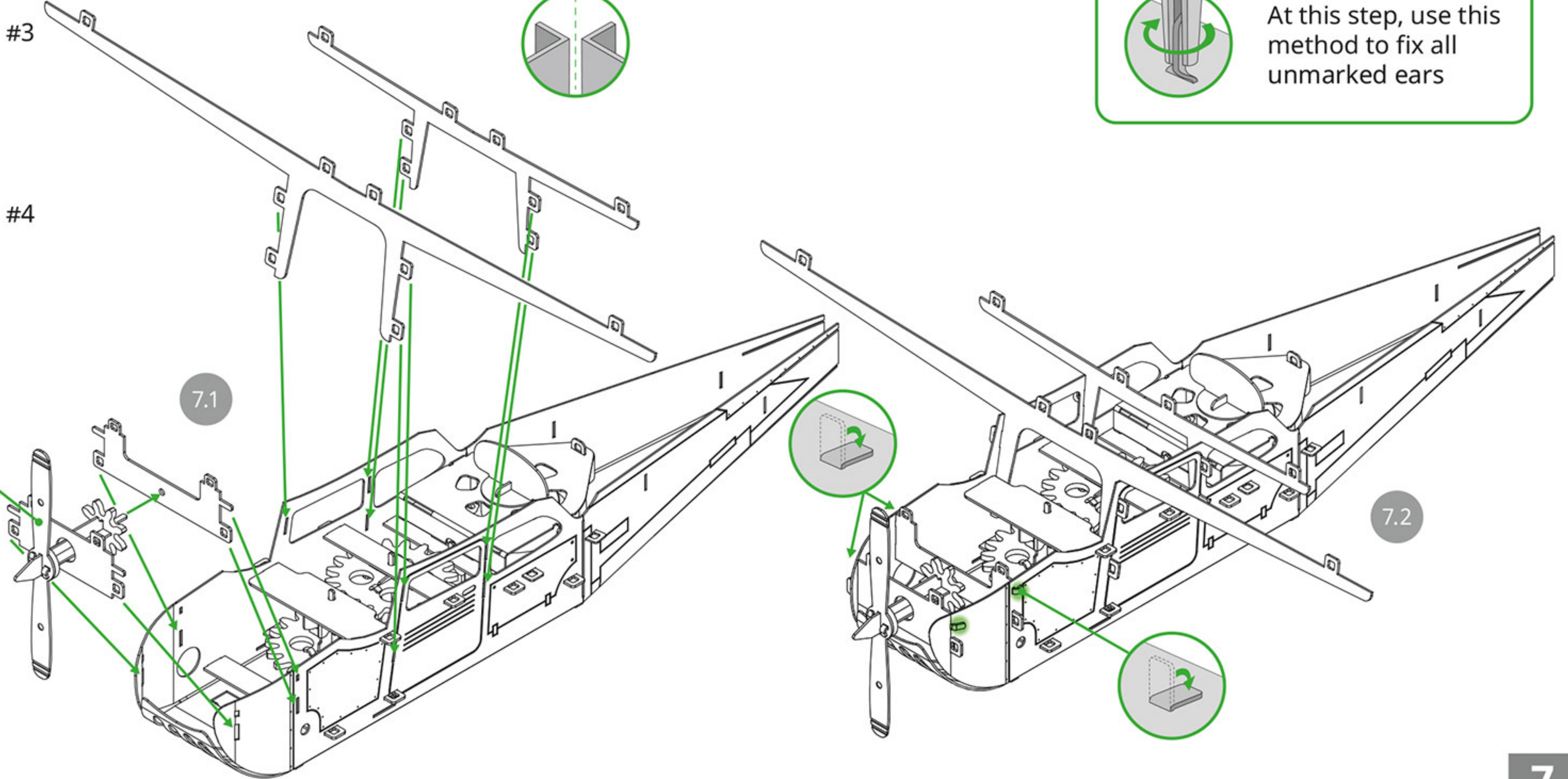


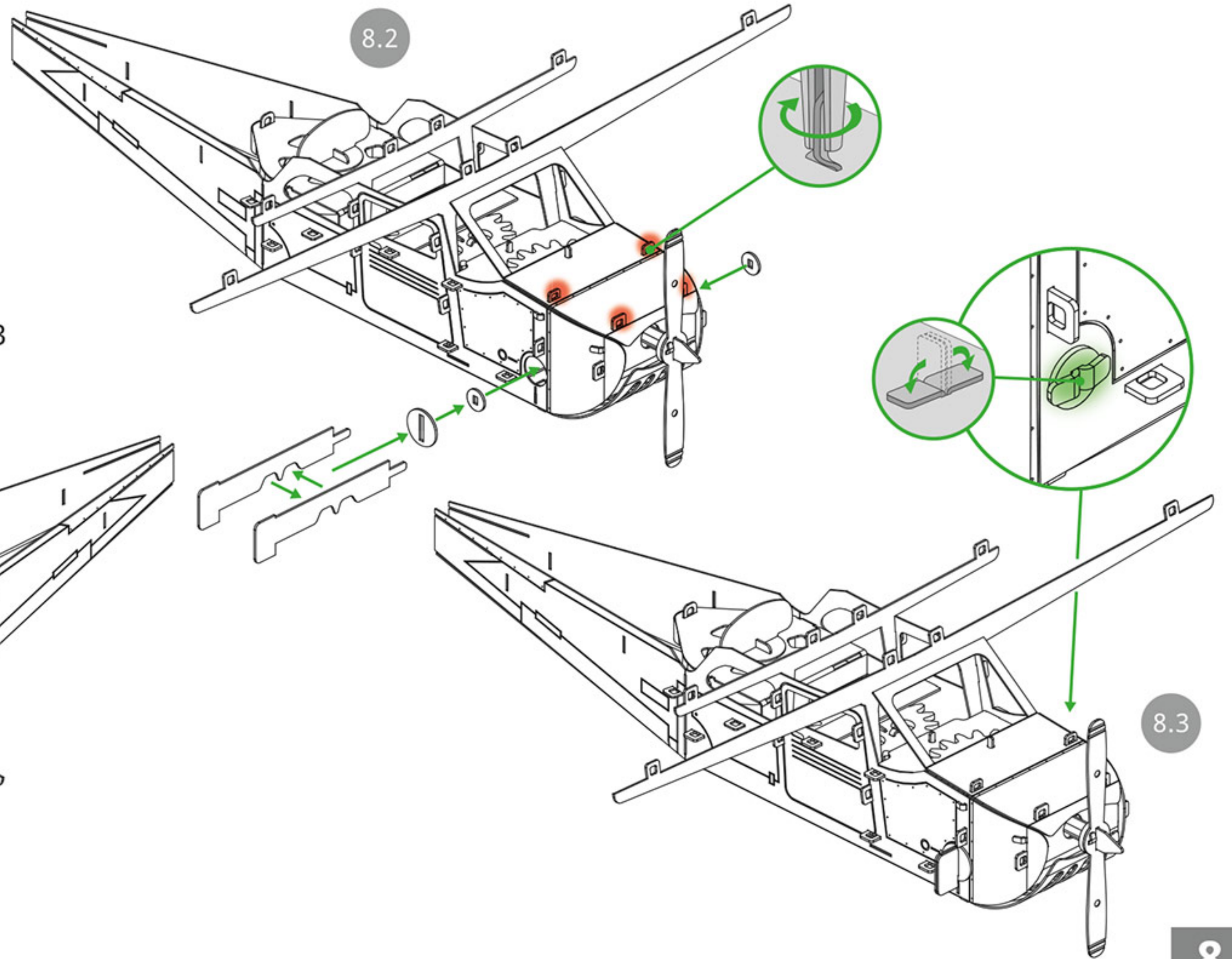
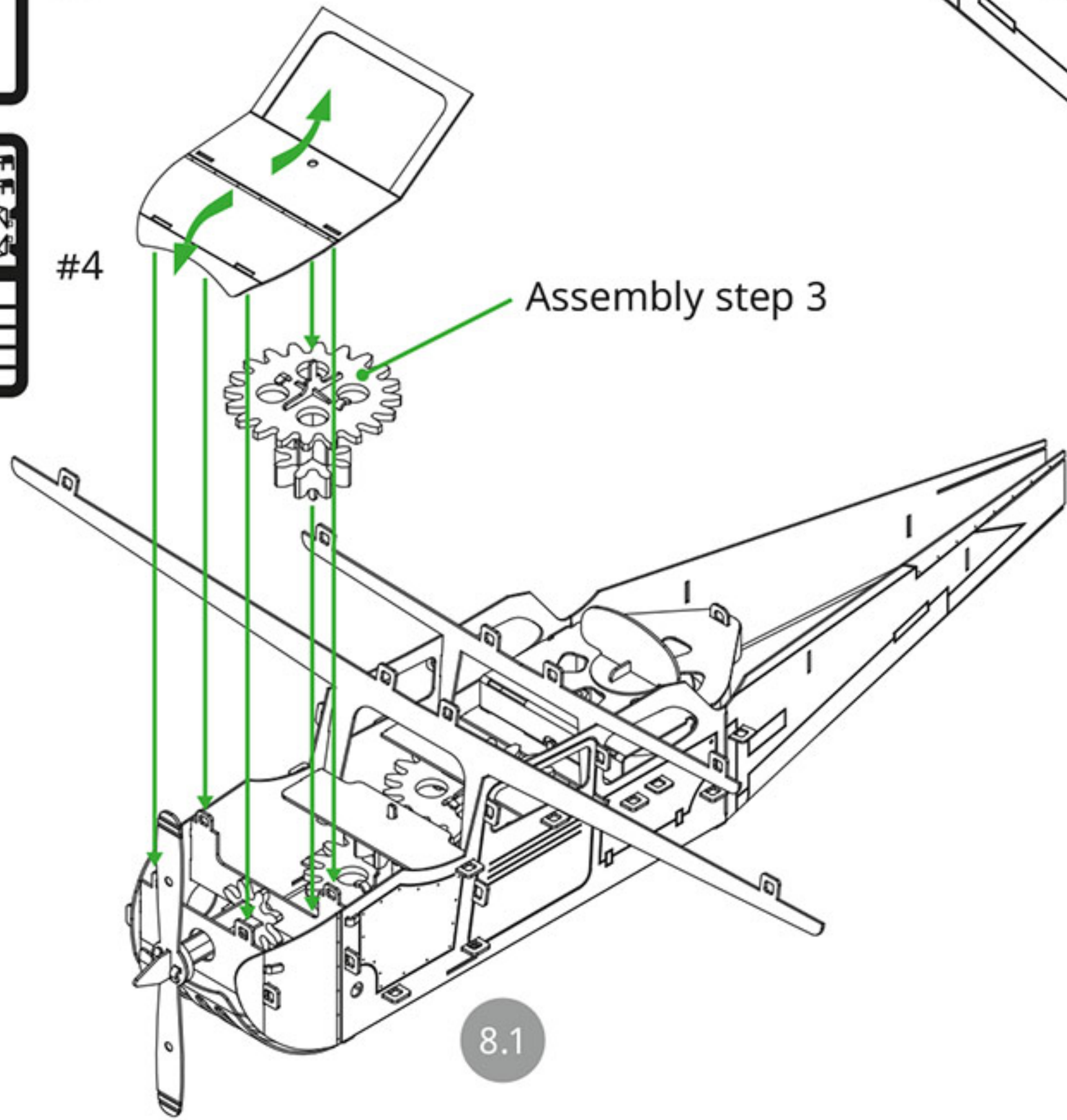
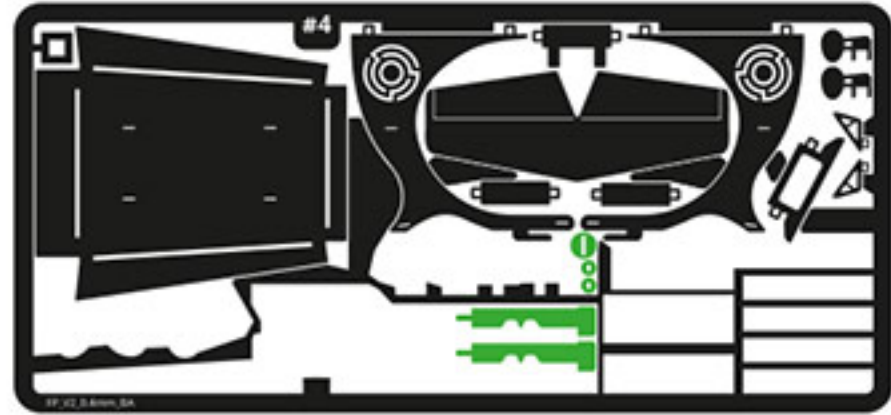
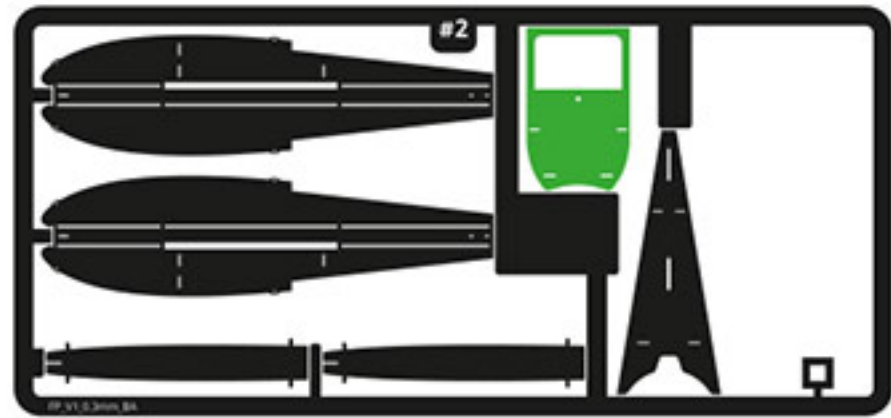
#4

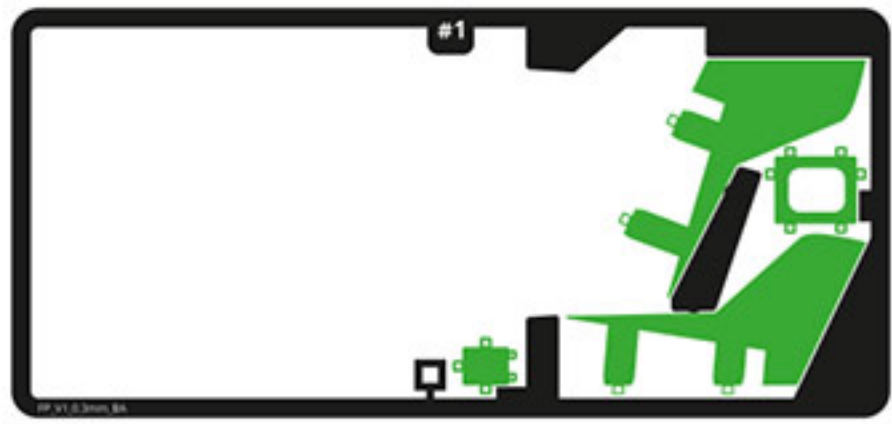


At this step, use this method to fix all unmarked ears

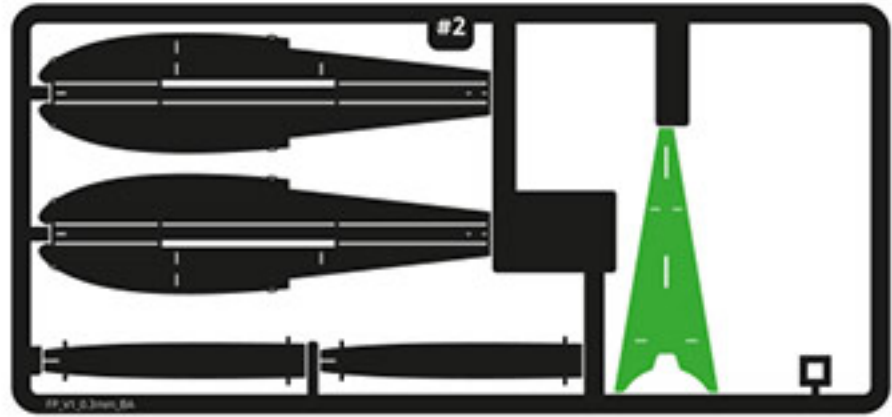
Assembly step 4



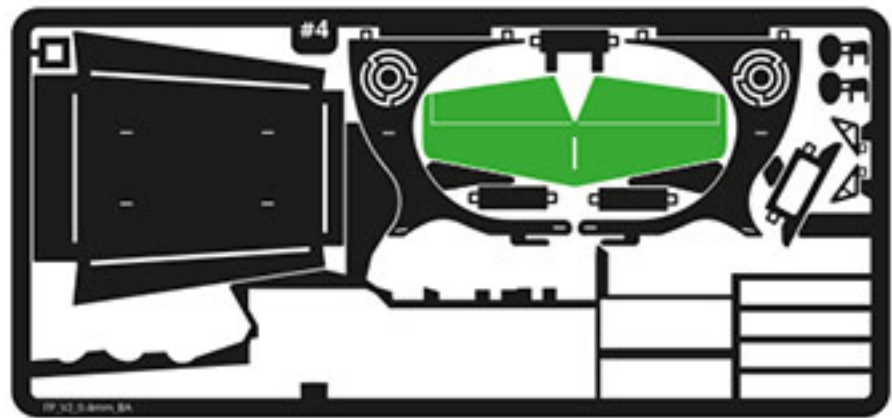




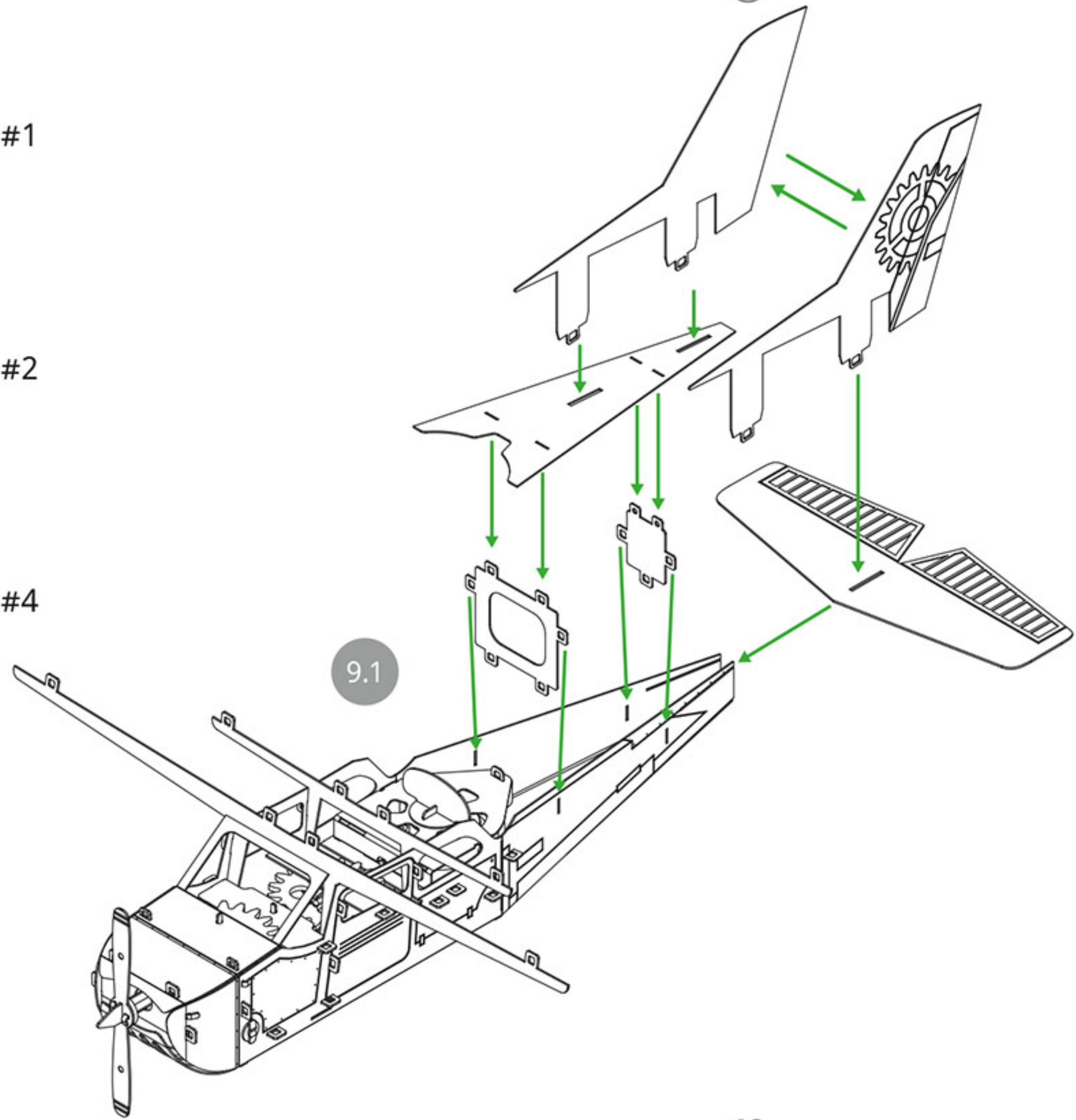
#1



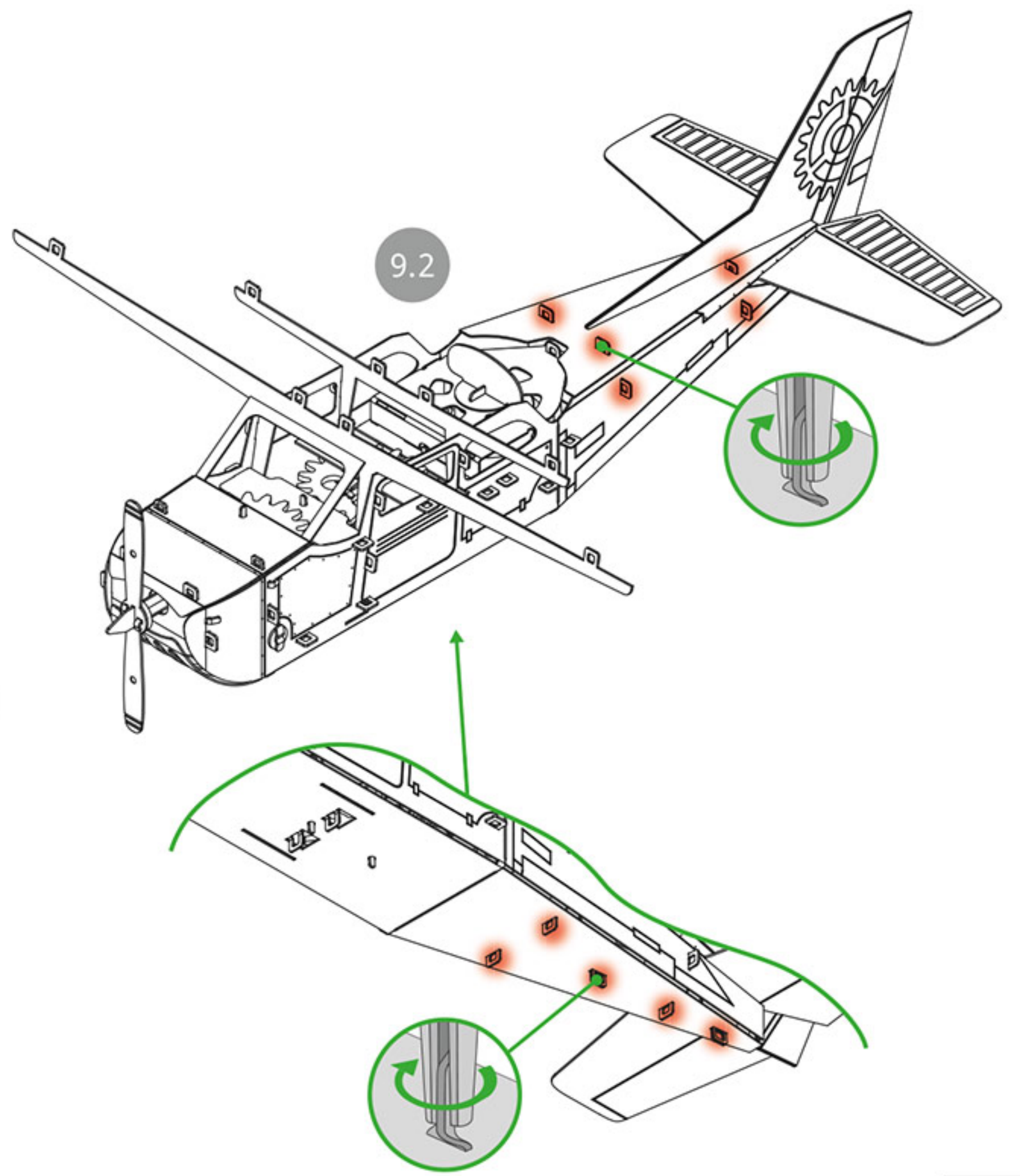
#2



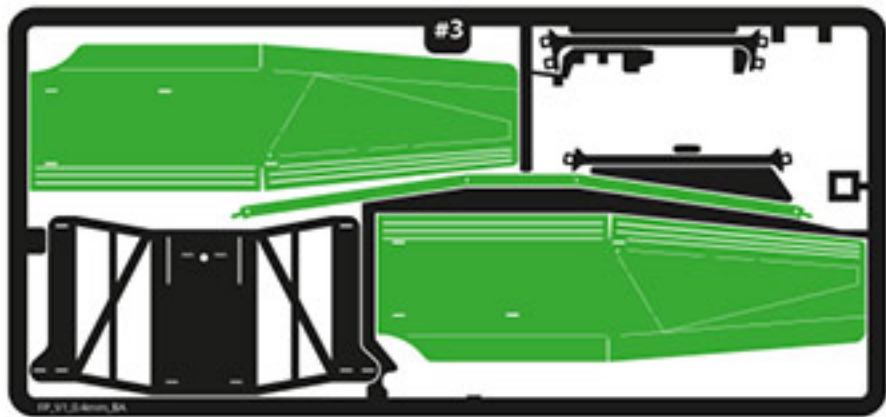
#4



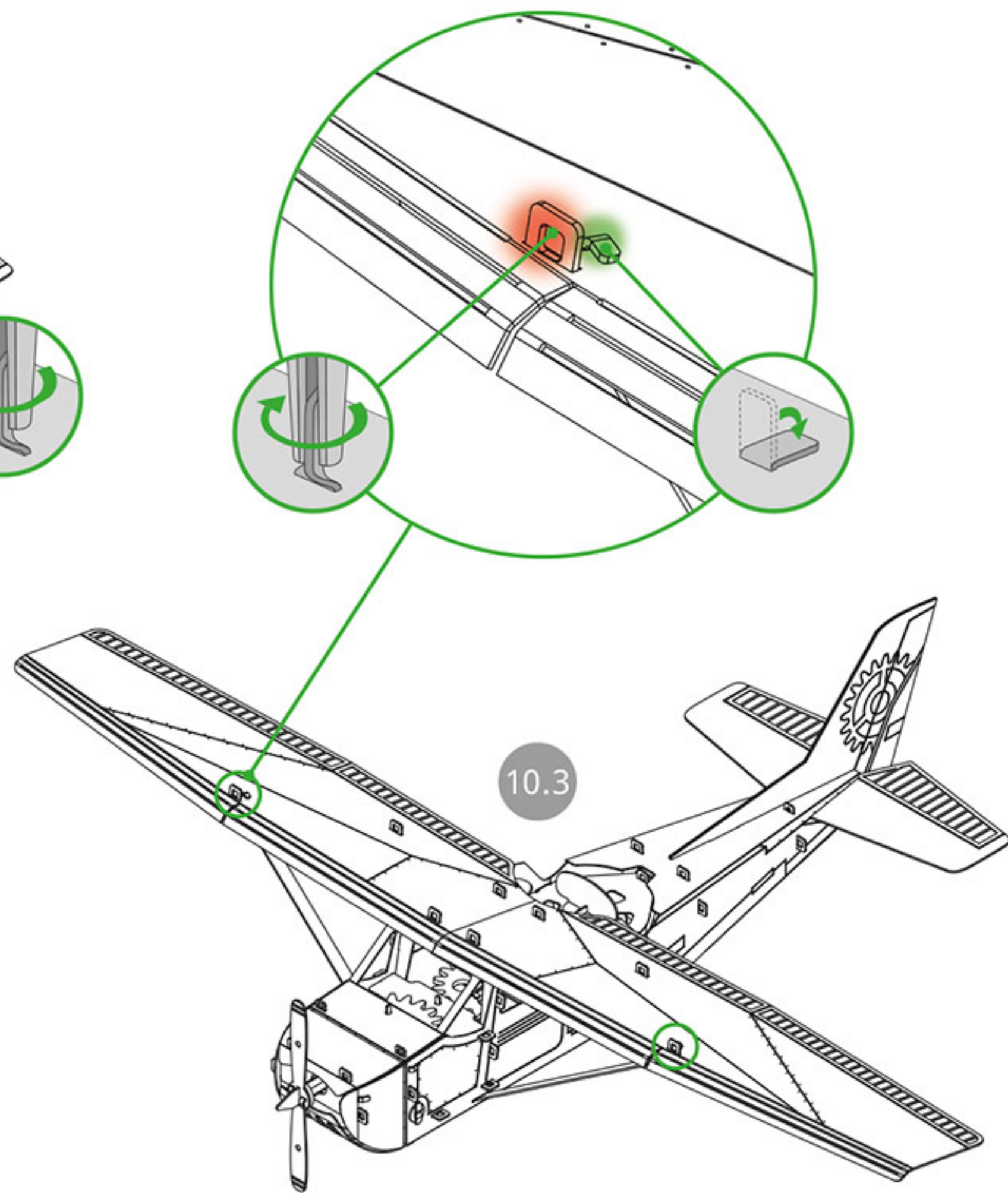
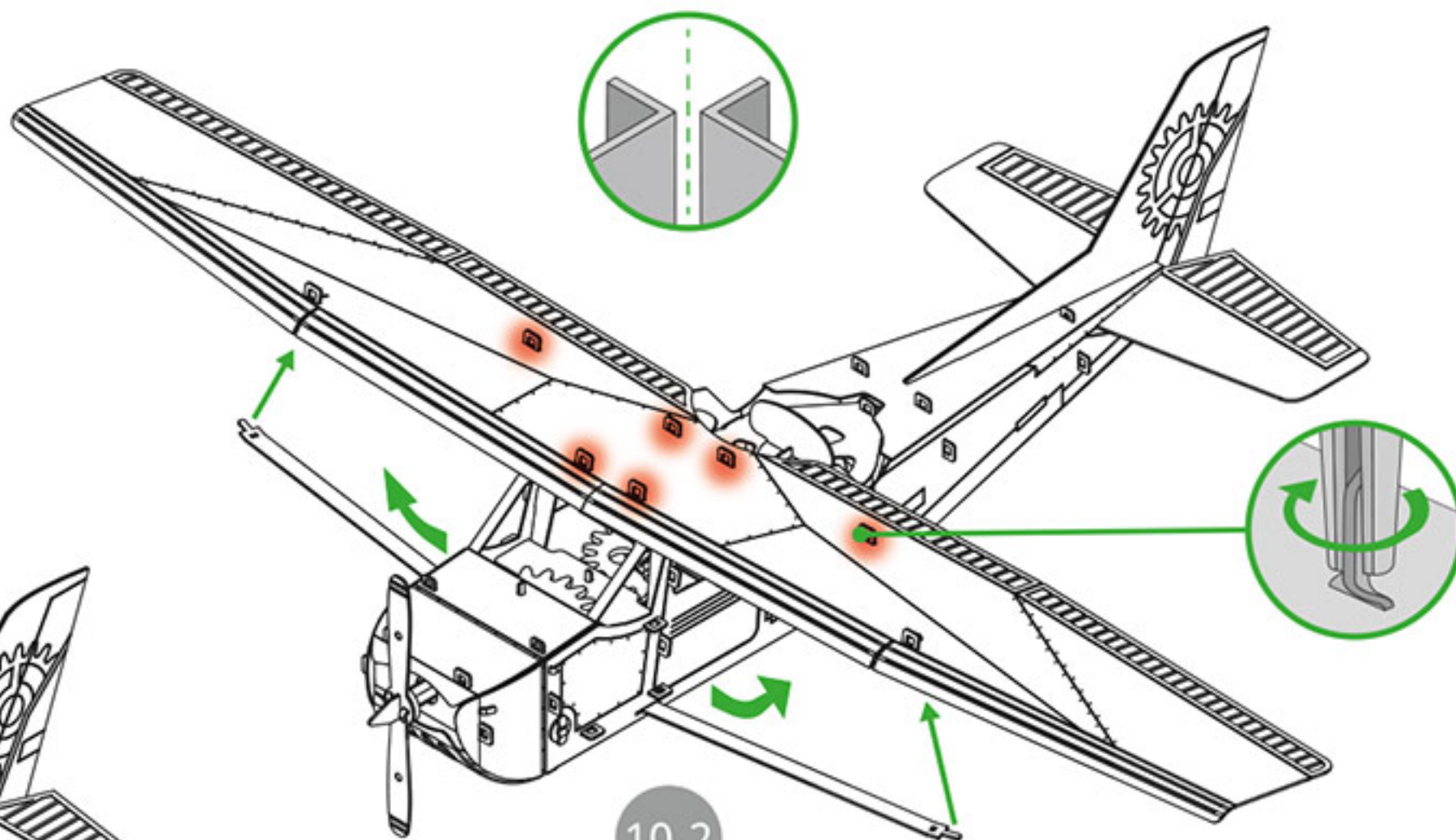
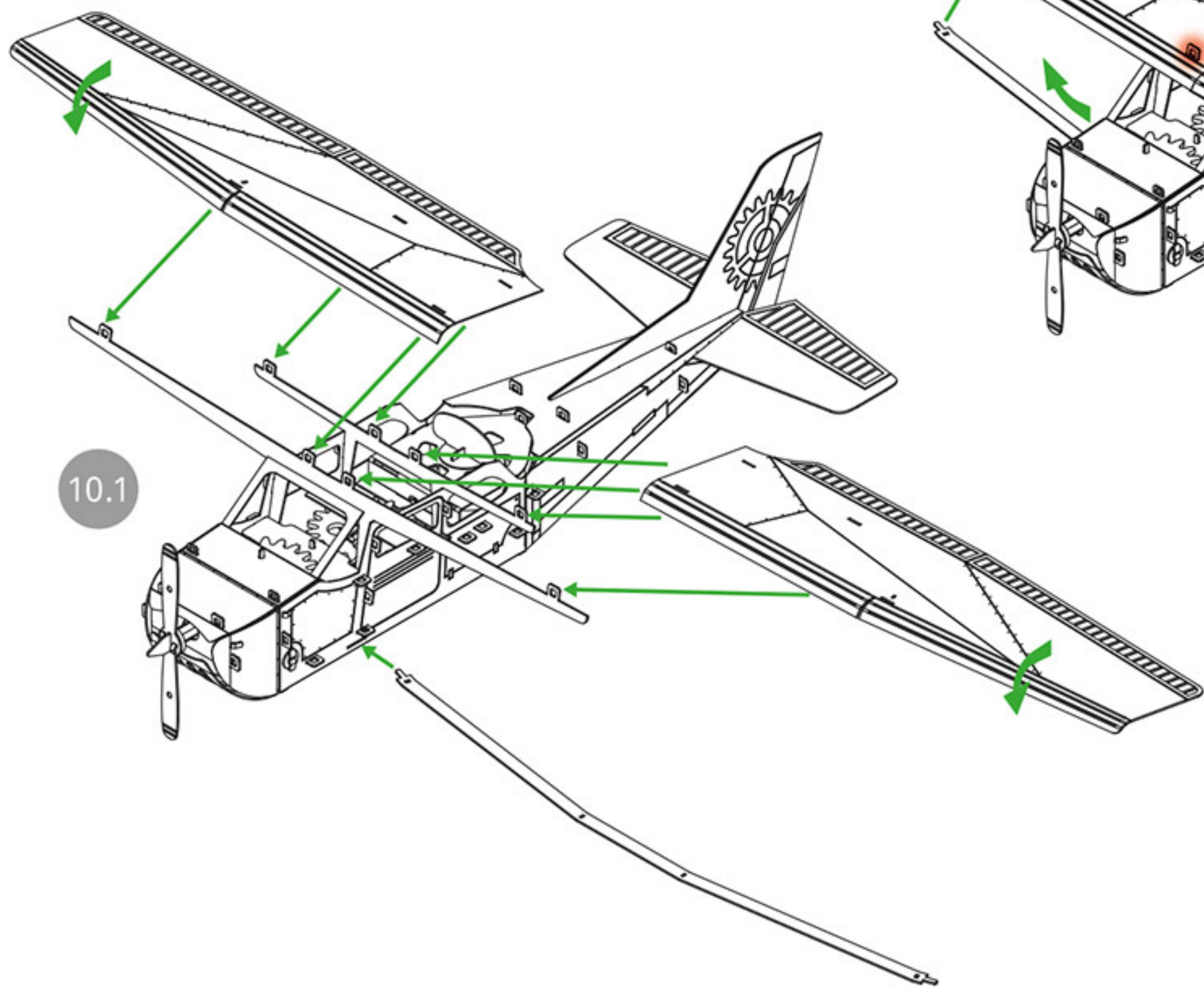
9.1

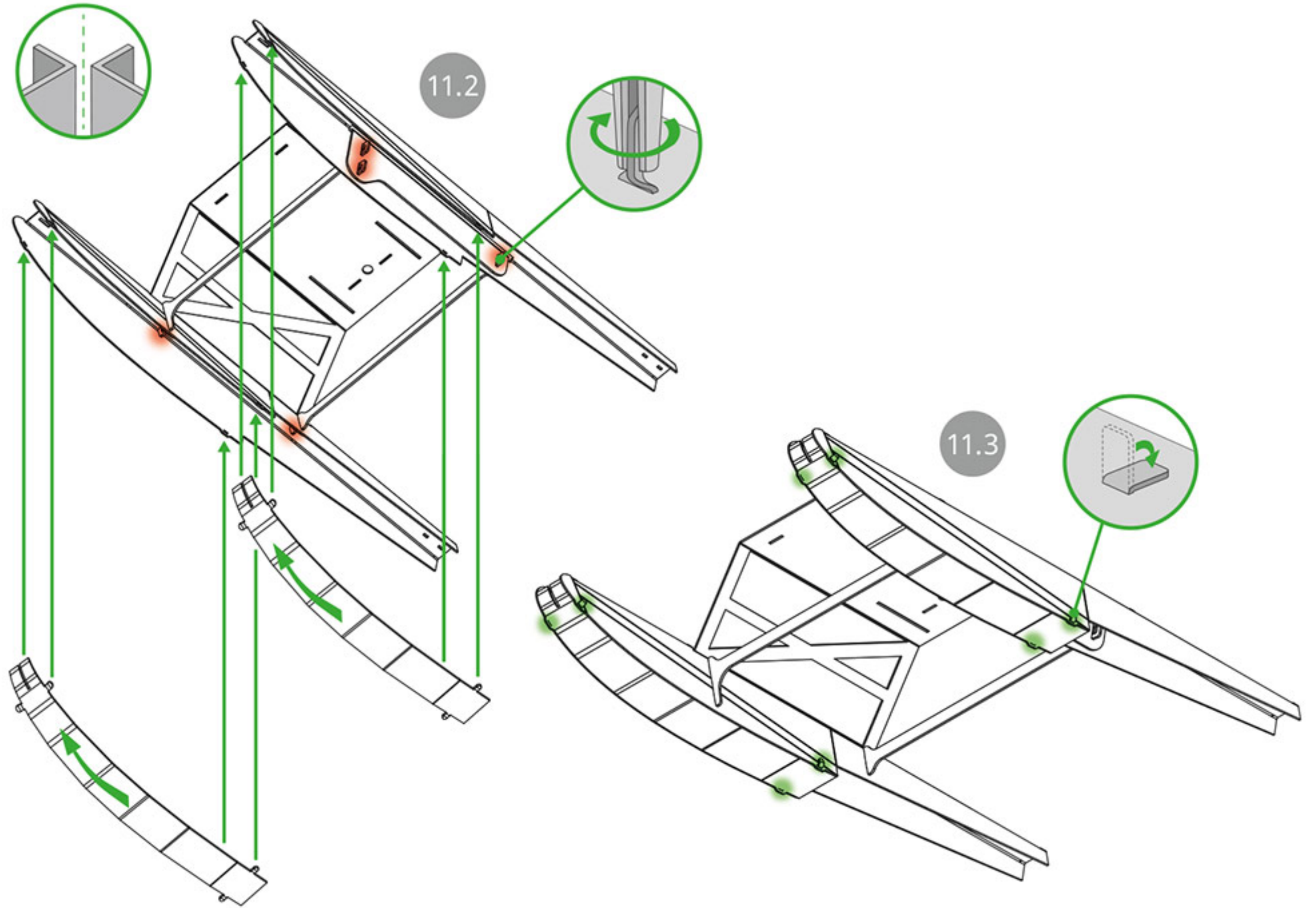
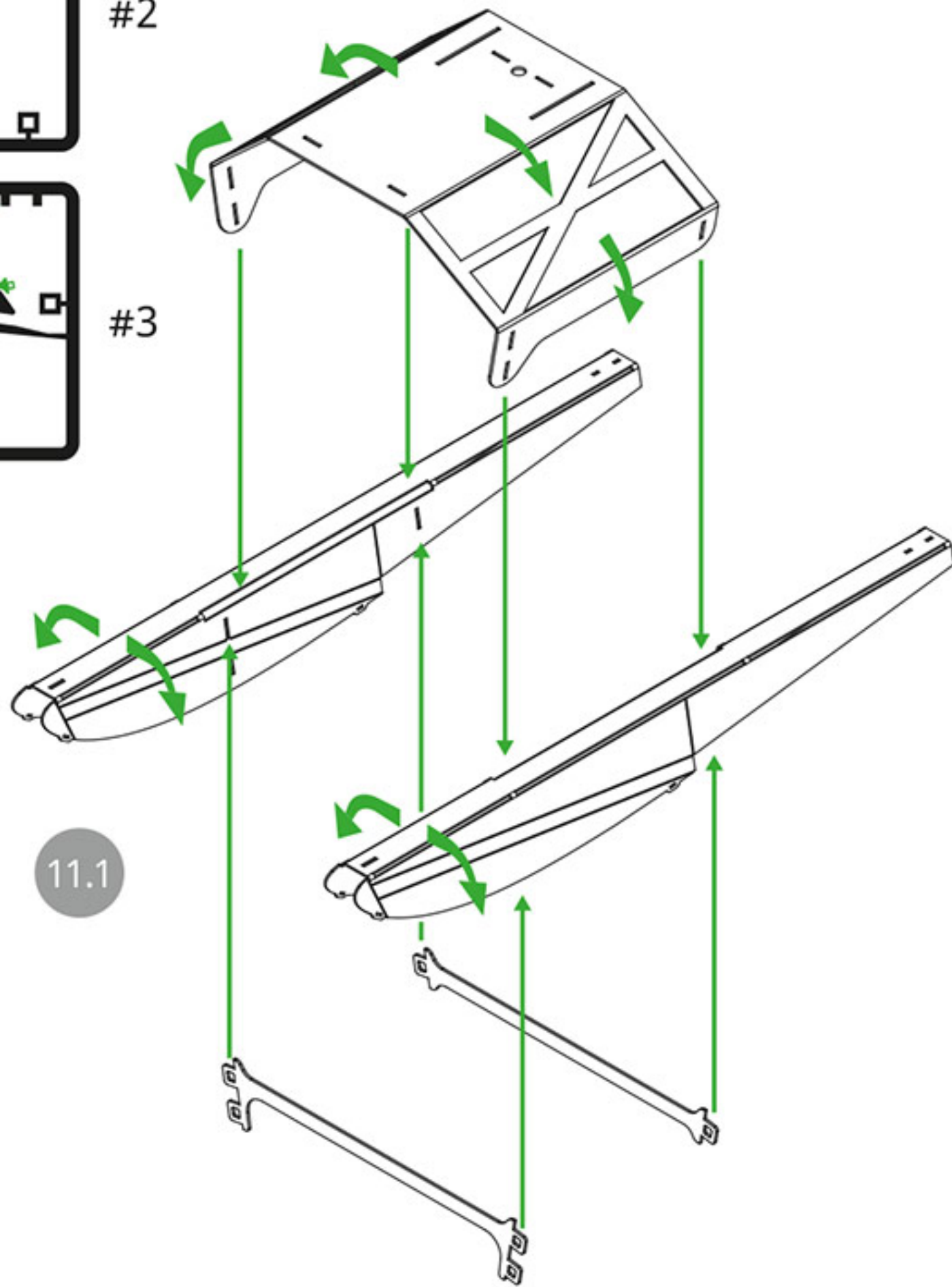
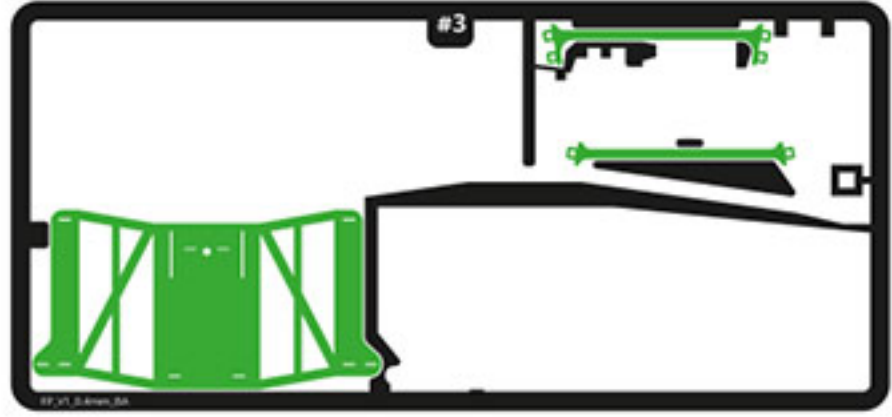
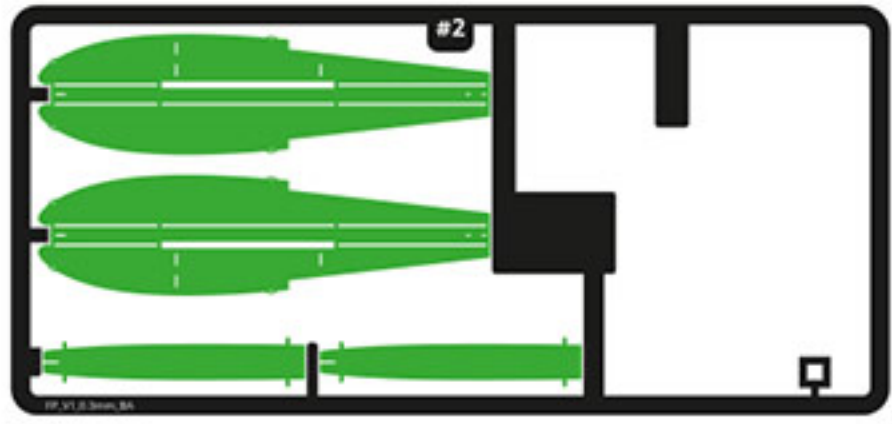


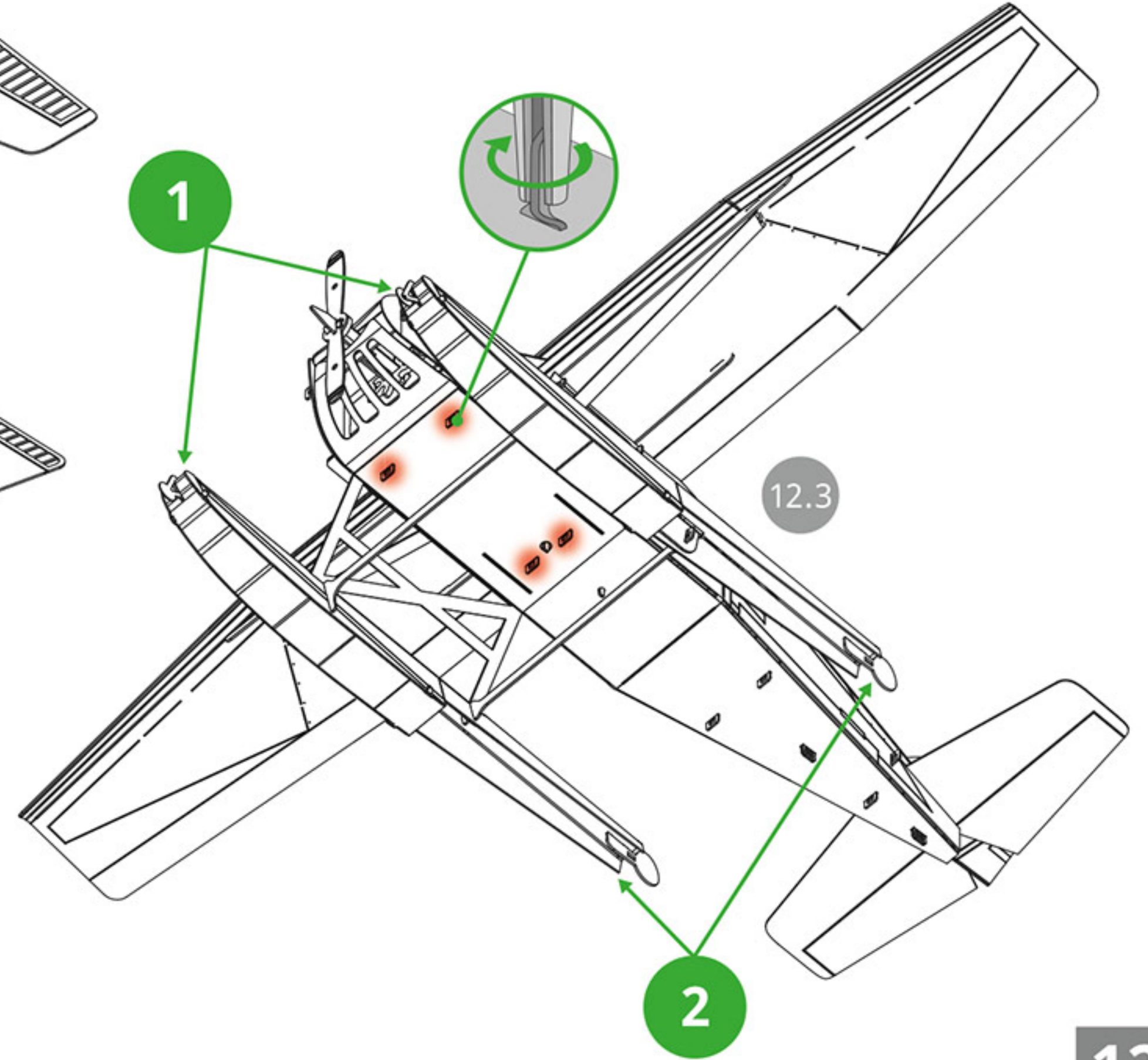
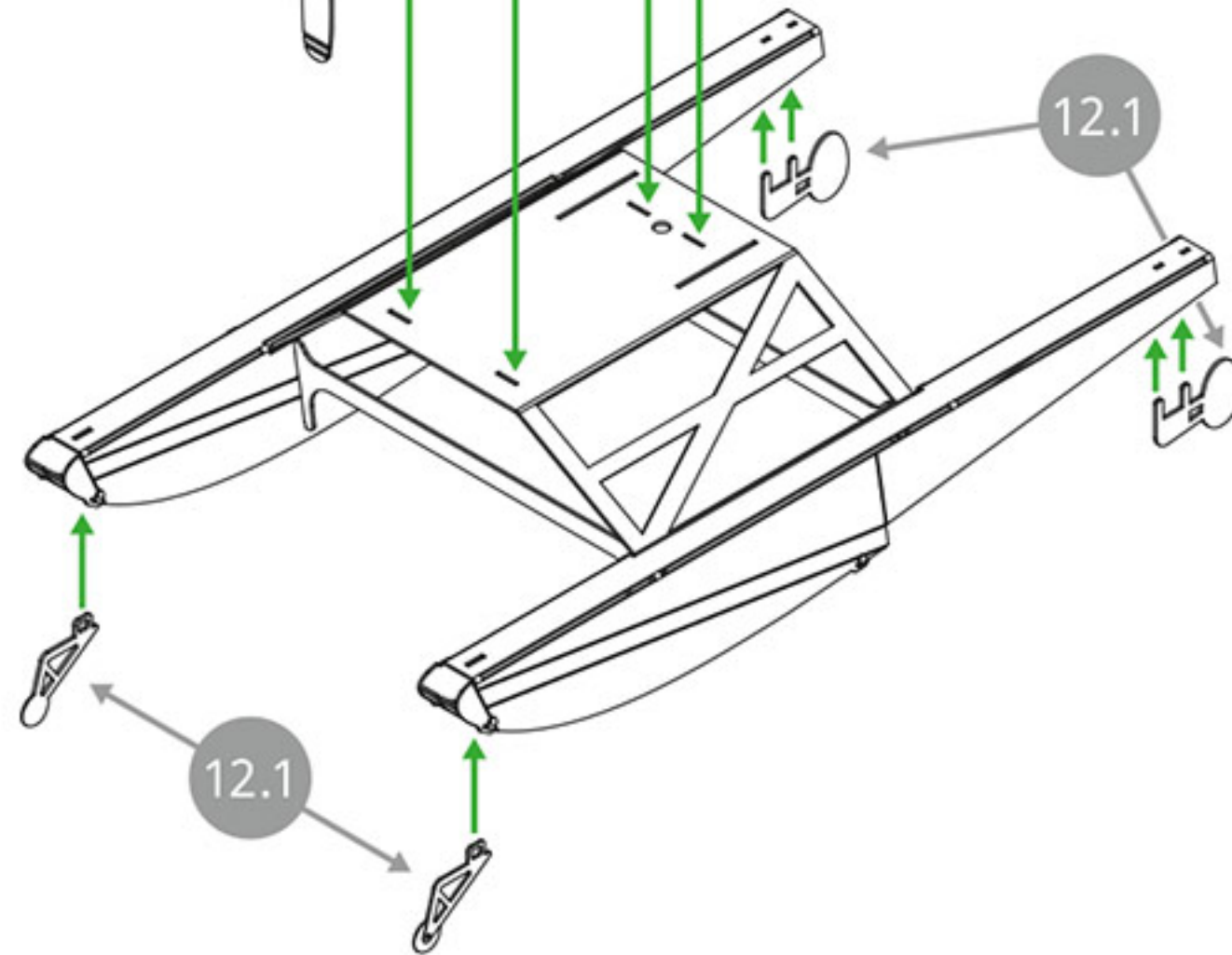
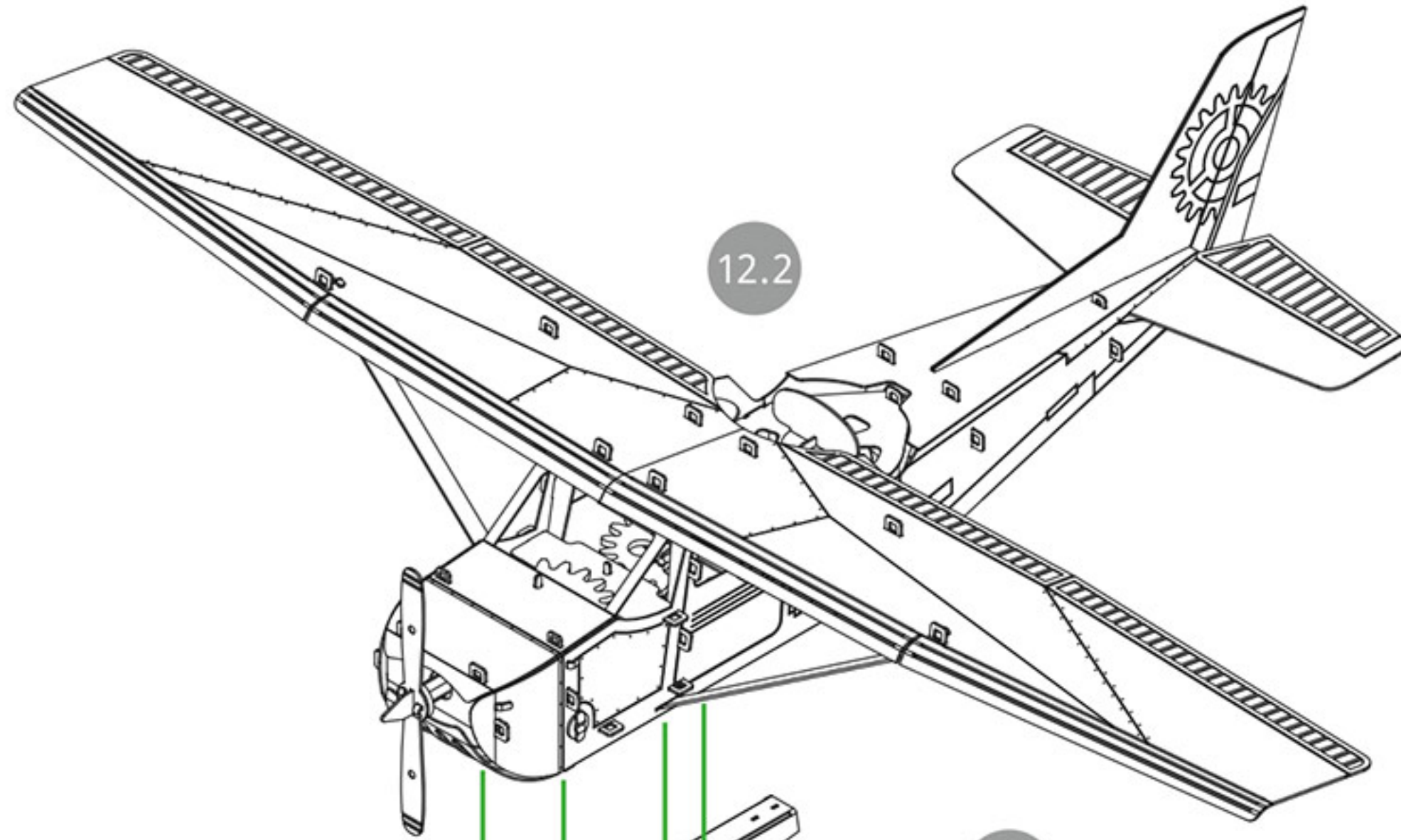
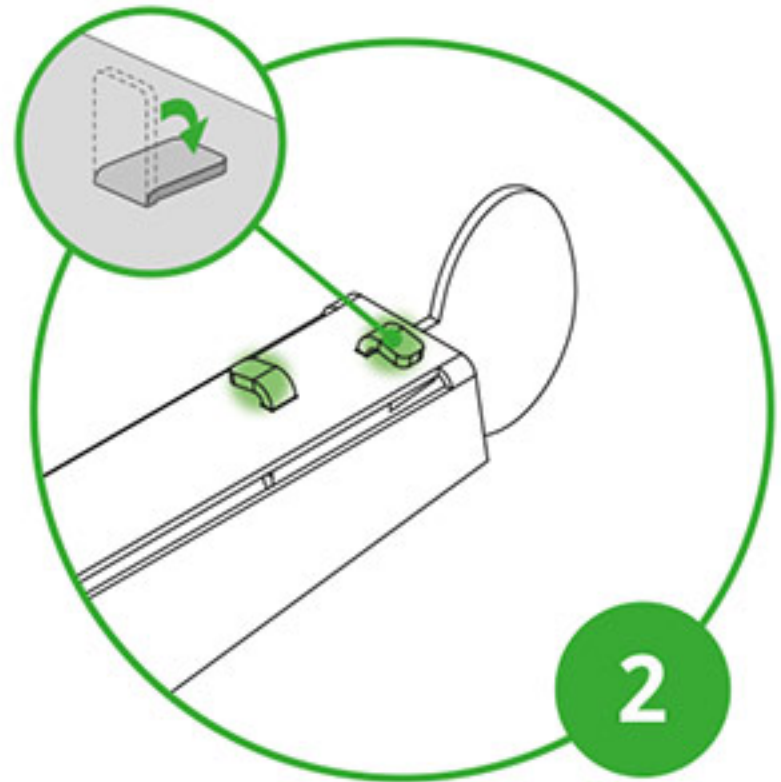
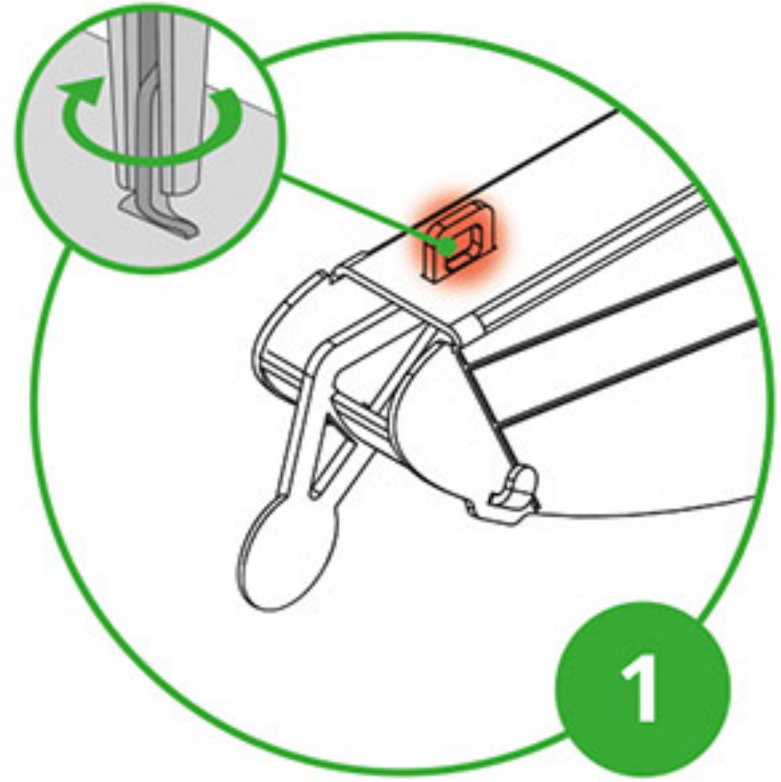
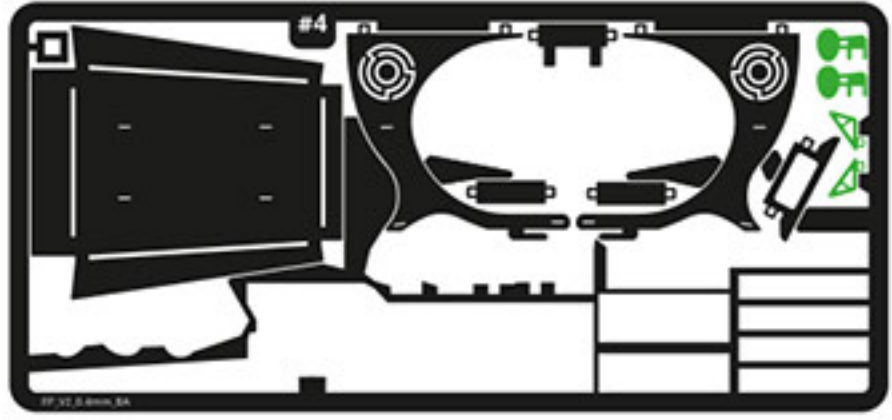
9.2

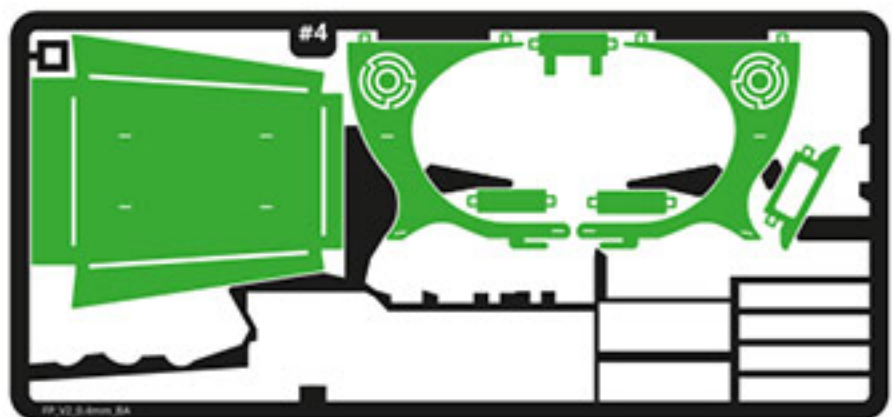


#3

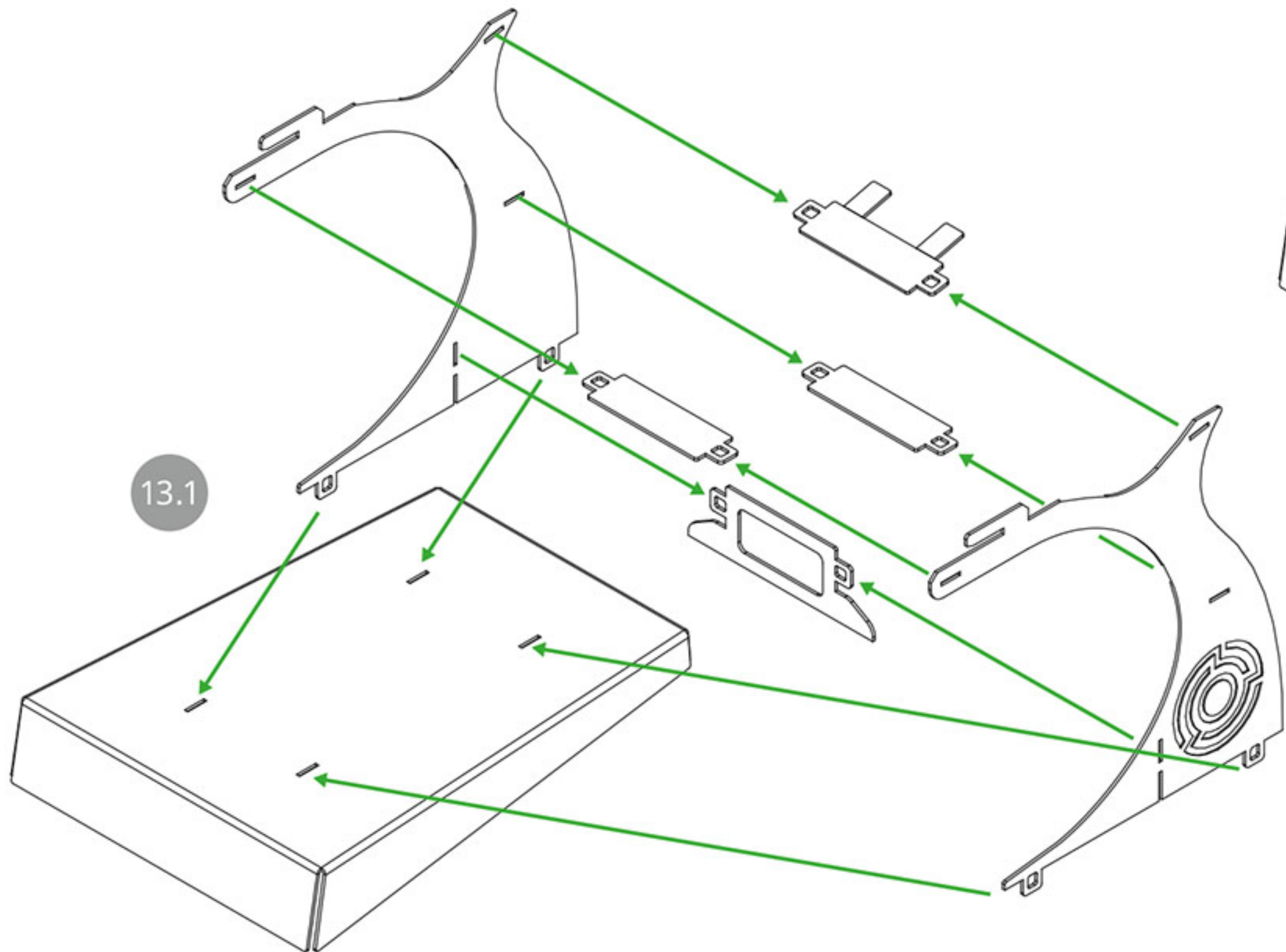




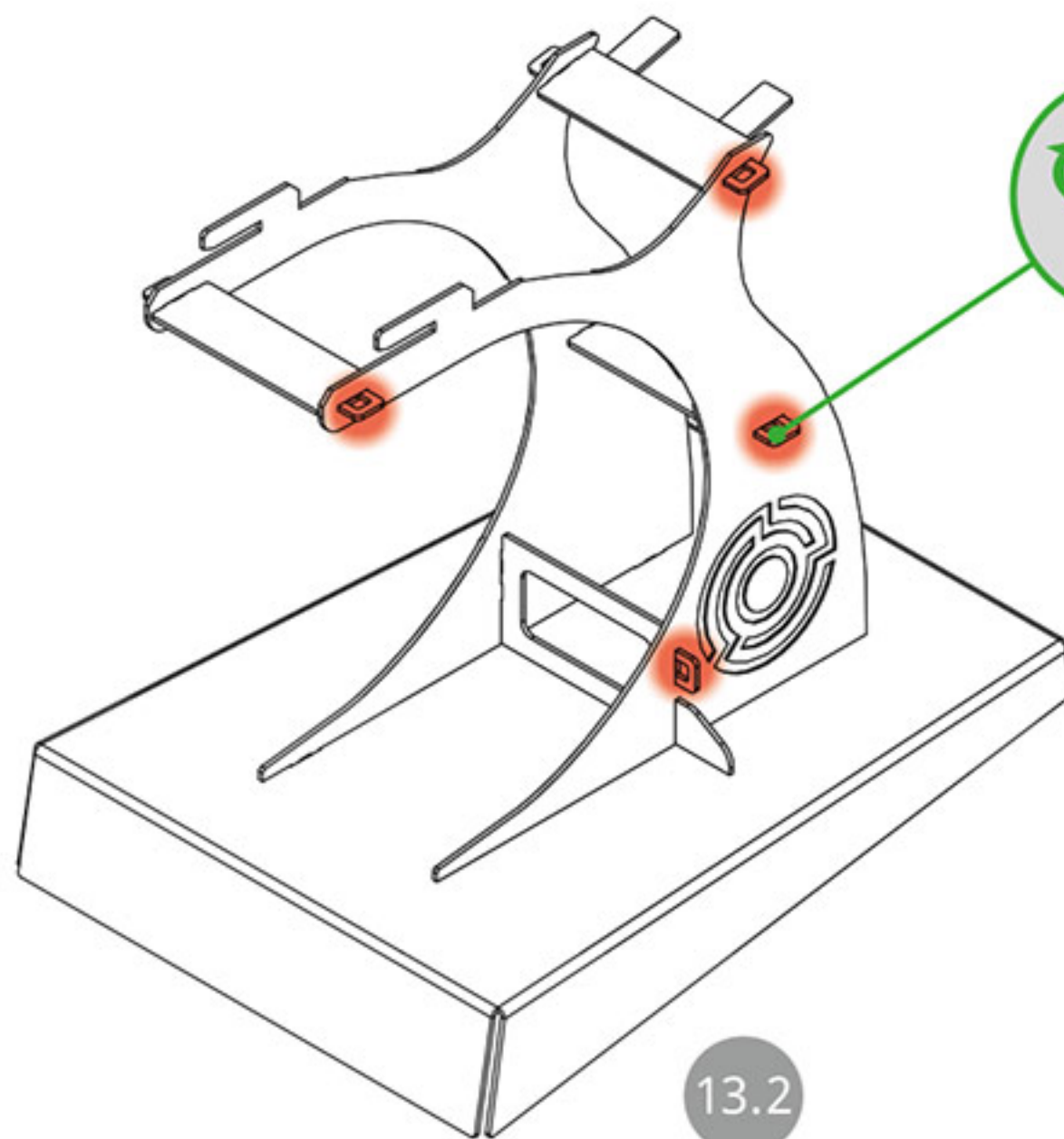




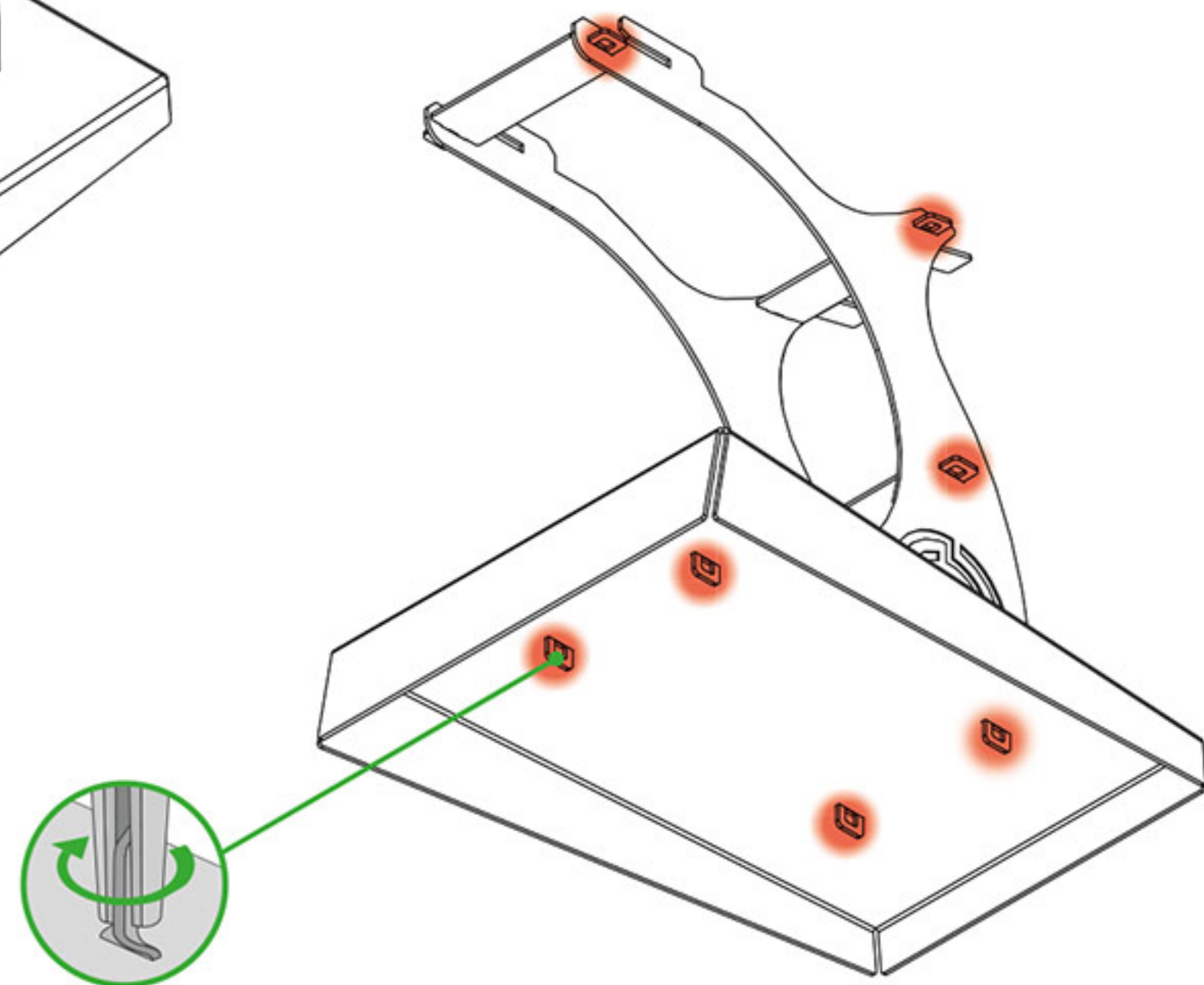
#4

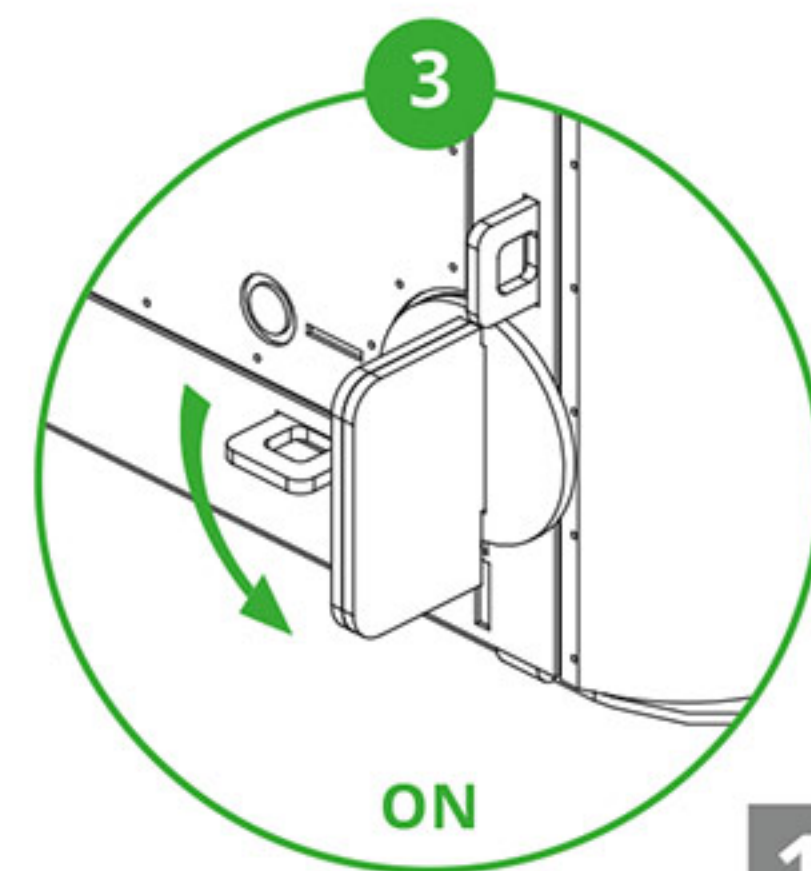
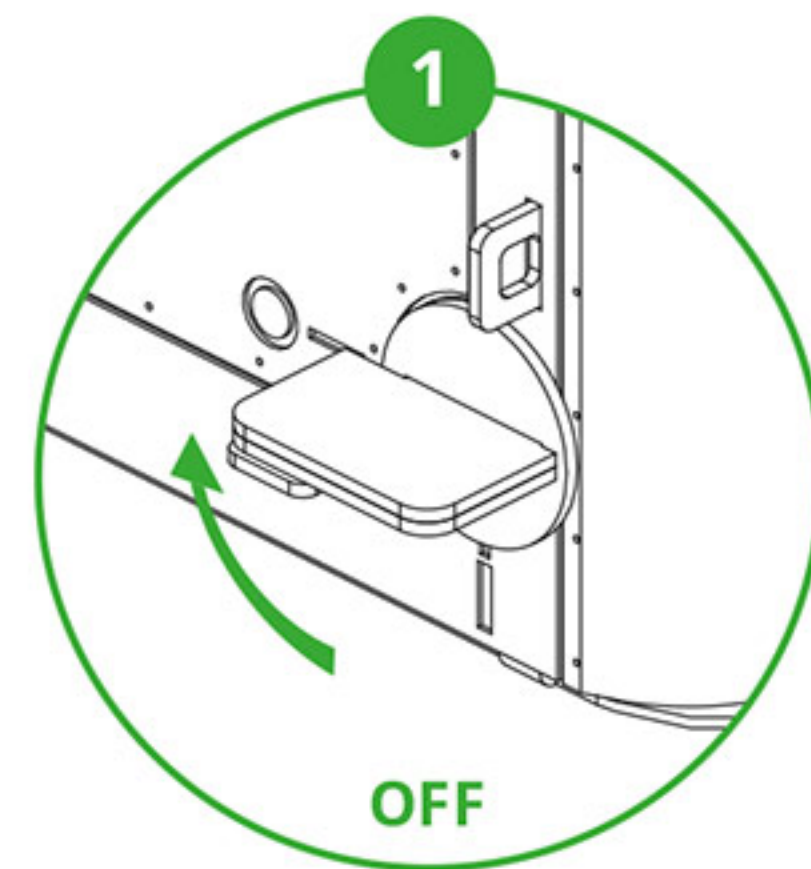
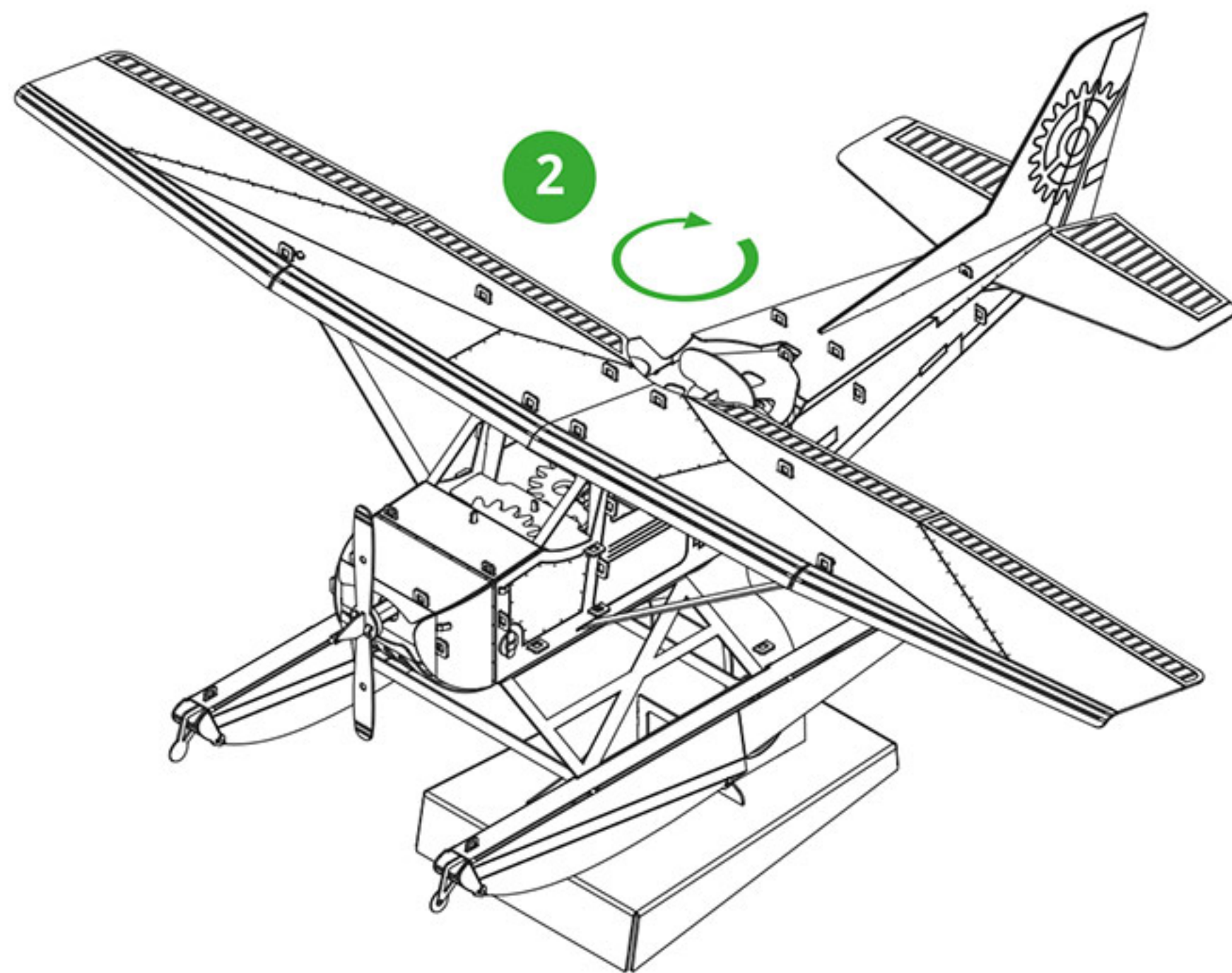
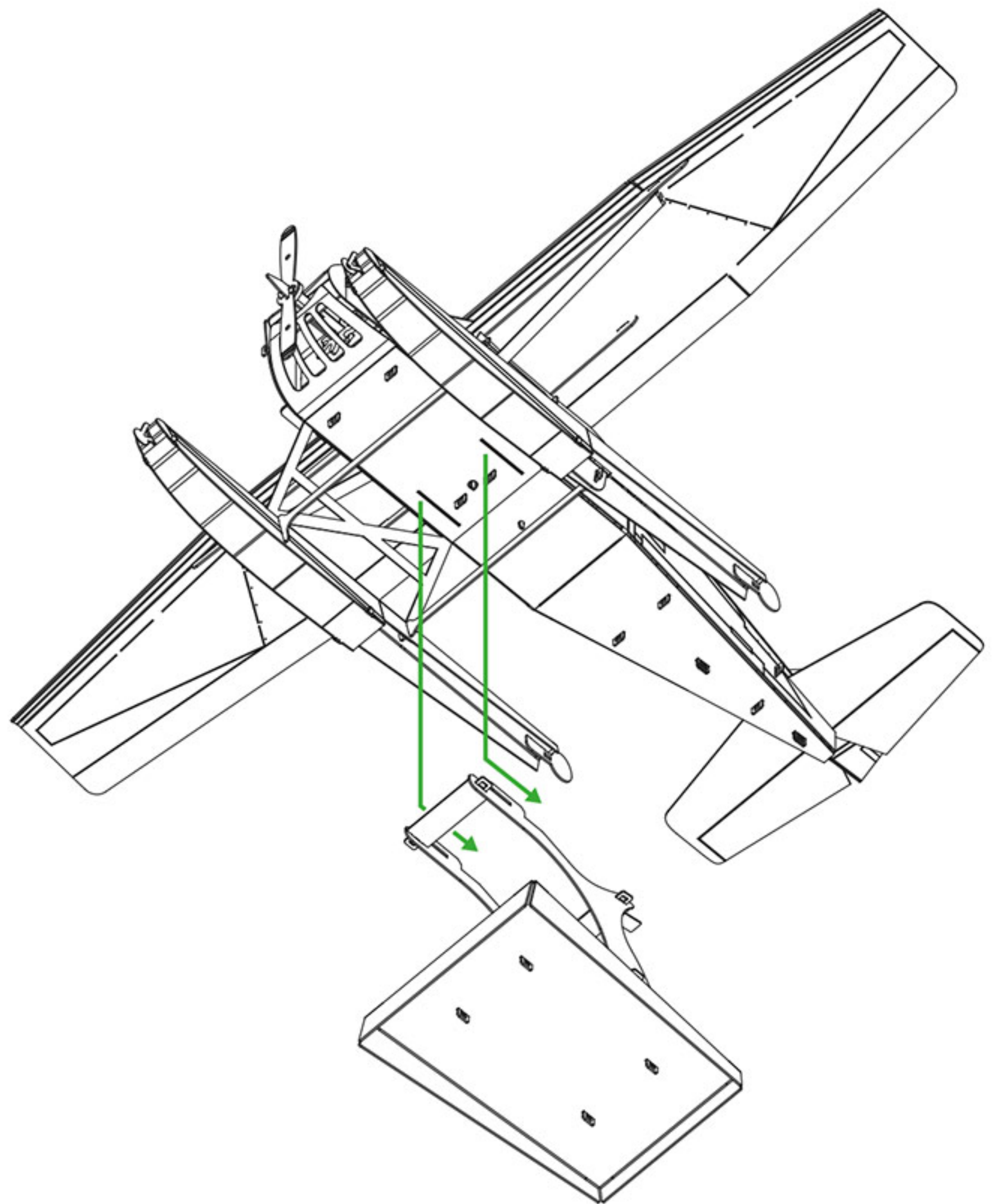


13.1



13.2





To run the model:

1. Turn the switch to the OFF position.
2. Start the spring by turning the key clockwise.
3. Turn the switch to the ON position.



Model name:

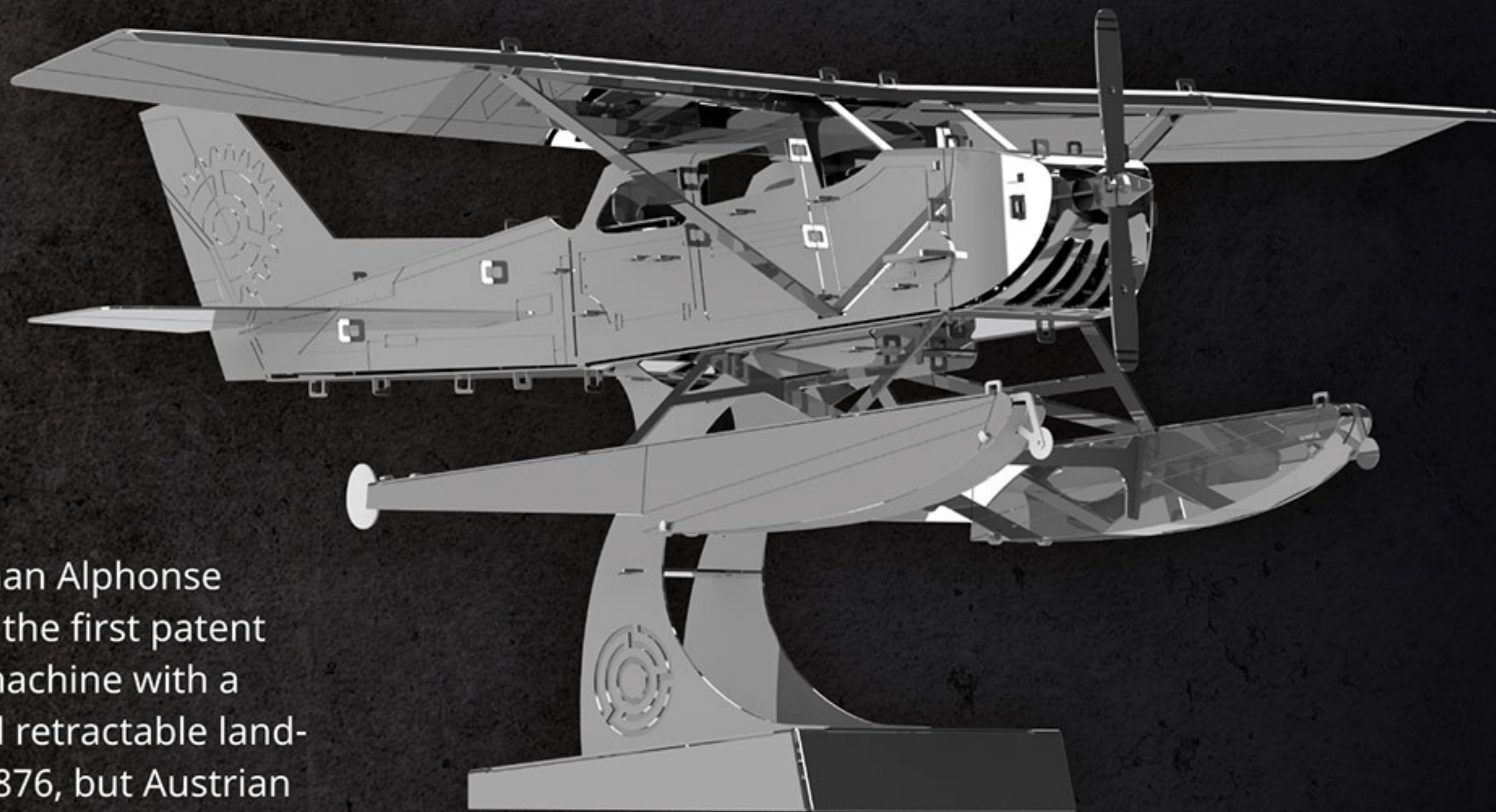
BREEZE DRIFTER

Product number: SKU003

Product material: Stainless steel

Number of metal sheets: 4 pcs

Finish product size: L7.68" × W9.85" × H3.94" (L19.5 × W25cm × H10cm)



The Frenchman Alphonse Pénauud filed the first patent for a flying machine with a boat hull and retractable landing gear in 1876, but Austrian Wilhelm Kress is credited with building the first seaplane, Drachenflieger, in 1898

Designed in Ukraine



Made in China

⚠ WARNING!

The product contains small and/or sharp parts. Not suitable for children under 3 years of age. Cut/remove the band that keeps the spring in place ONLY WITHIN the spring chamber/container. DO NOT cut the restraining band outside the assembled spring chamber, as the spring will unwind with force.

In order to avoid possible injury from sharp edges, please carefully discard the metal sheet after parts have been removed. This product is not a toy. Keep out of reach of children.

Conforms to CPSIA and CE standards. The product complies with the requirements of EN 71-1,2,3; ASTM F963, REACH, AS/NZS 8124, GB 6675



Difficulty level

No expiration date

MODEL
BUILDING
KIT
@hobbadd.cn

霍布德



Collect the Best

Includes: steel sheets, gears, power spring, pliers, file, gloves, polishing cloth, user's guide.

ALL RIGHTS RESERVED
© Metal-Time Inc., USA

www.metal-time.com
info@metal-time.com