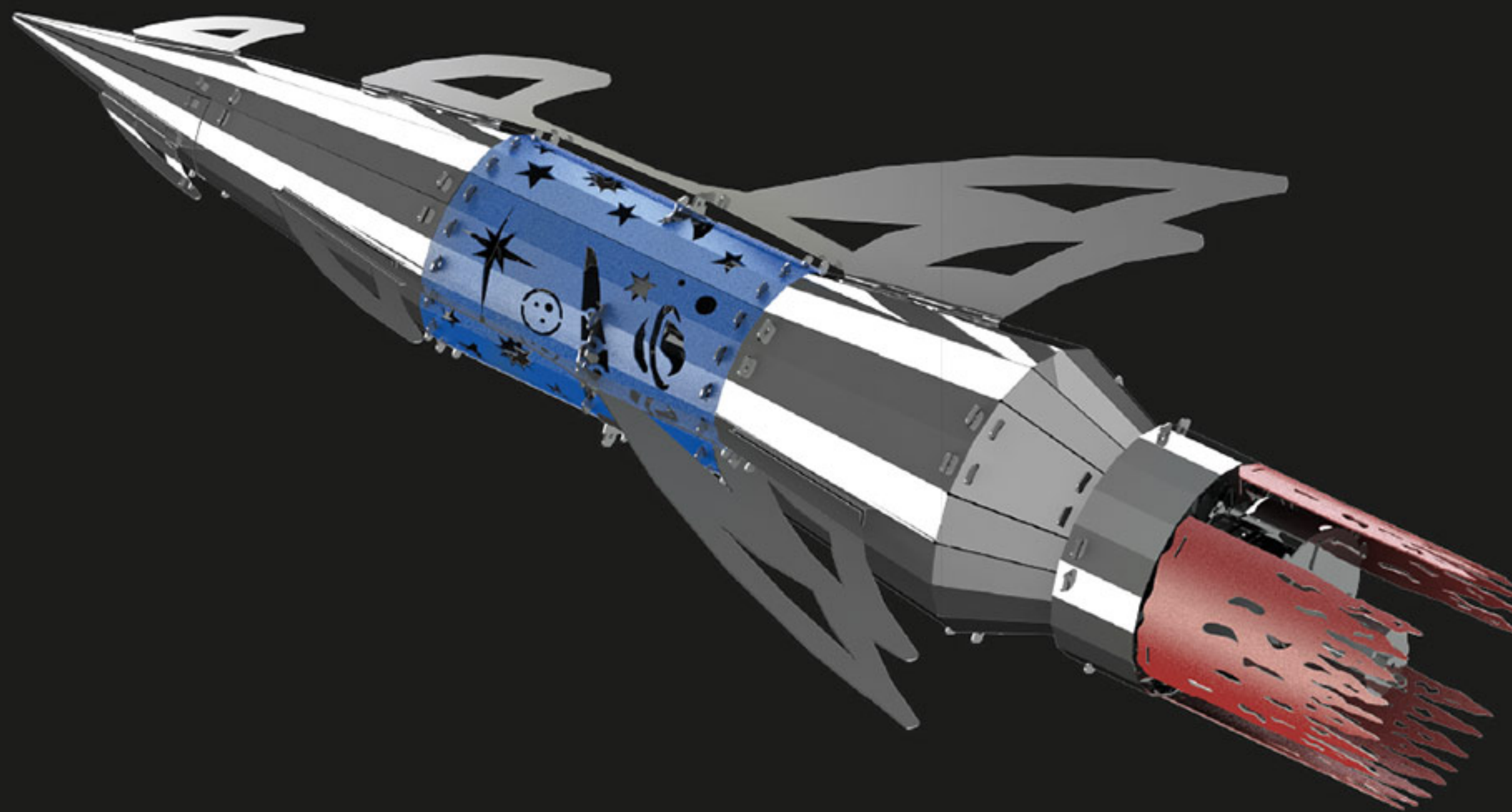




METAL[®]
TIME

AD ASTRA

3D Metal Mechanical
Model Building Kit



Assembly instructions
Інструкція зі складання
Instrukcja montażu
Istruzioni di montaggio
Montageanleitung
Instructions de montage
Instrucciones de montaje
Instruções de montagem
Інструкція по сборке
装配说明书
조립 설명서
組立説明書

تعليمات التجميع
הוראות הרכבה

Collect the Best

50 PIECES

3 hours

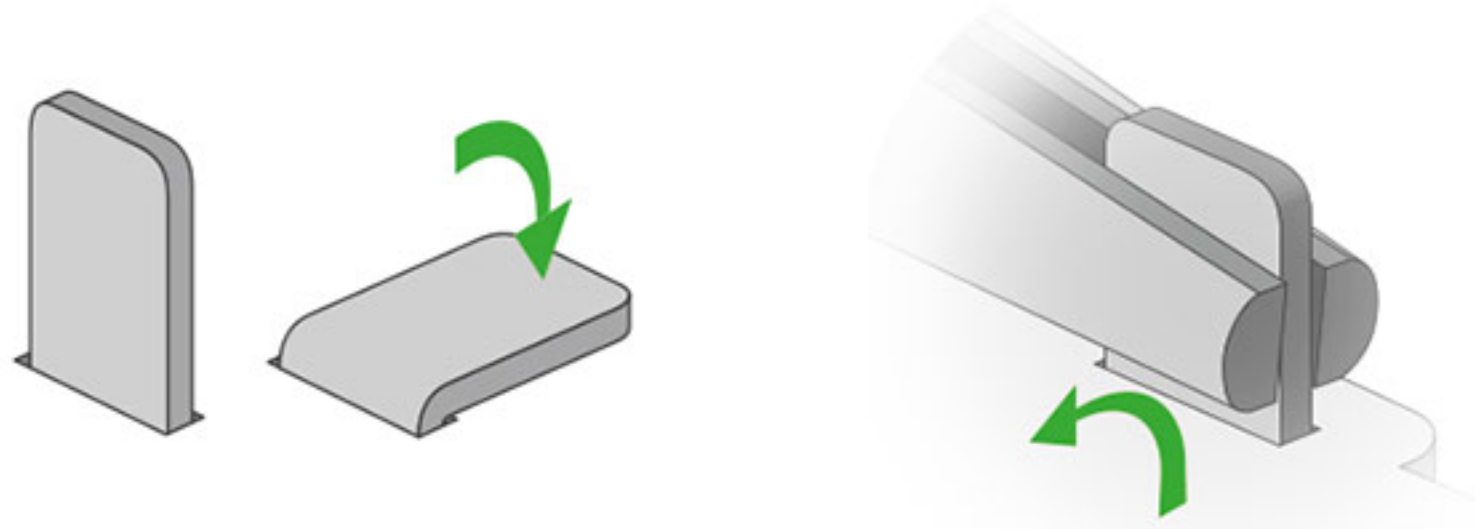
Stainless Steel / Shaped shadows
Rotating body / LED light

AGES
14+

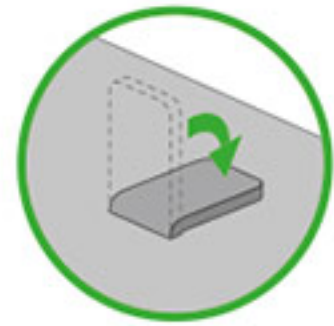


STANDARD FIXING OF FASTENERS AND SYMBOLS

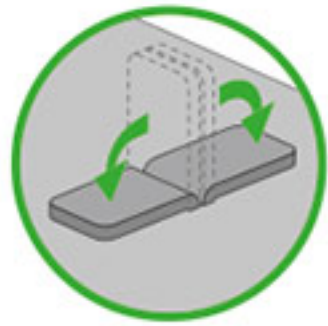
When assembling the model, don't rush, avoid pointing details at yours or anyone else's face. If one of the parts has a sharp edge, please file it down. Use pliers and additional tools to assemble the model. Each kit contains a cloth for wiping and polishing the model once it's assembled.



If there are no additional designations, use the standard fixing method. Use pliers to bend the fasteners



Bend the eyelet 90°



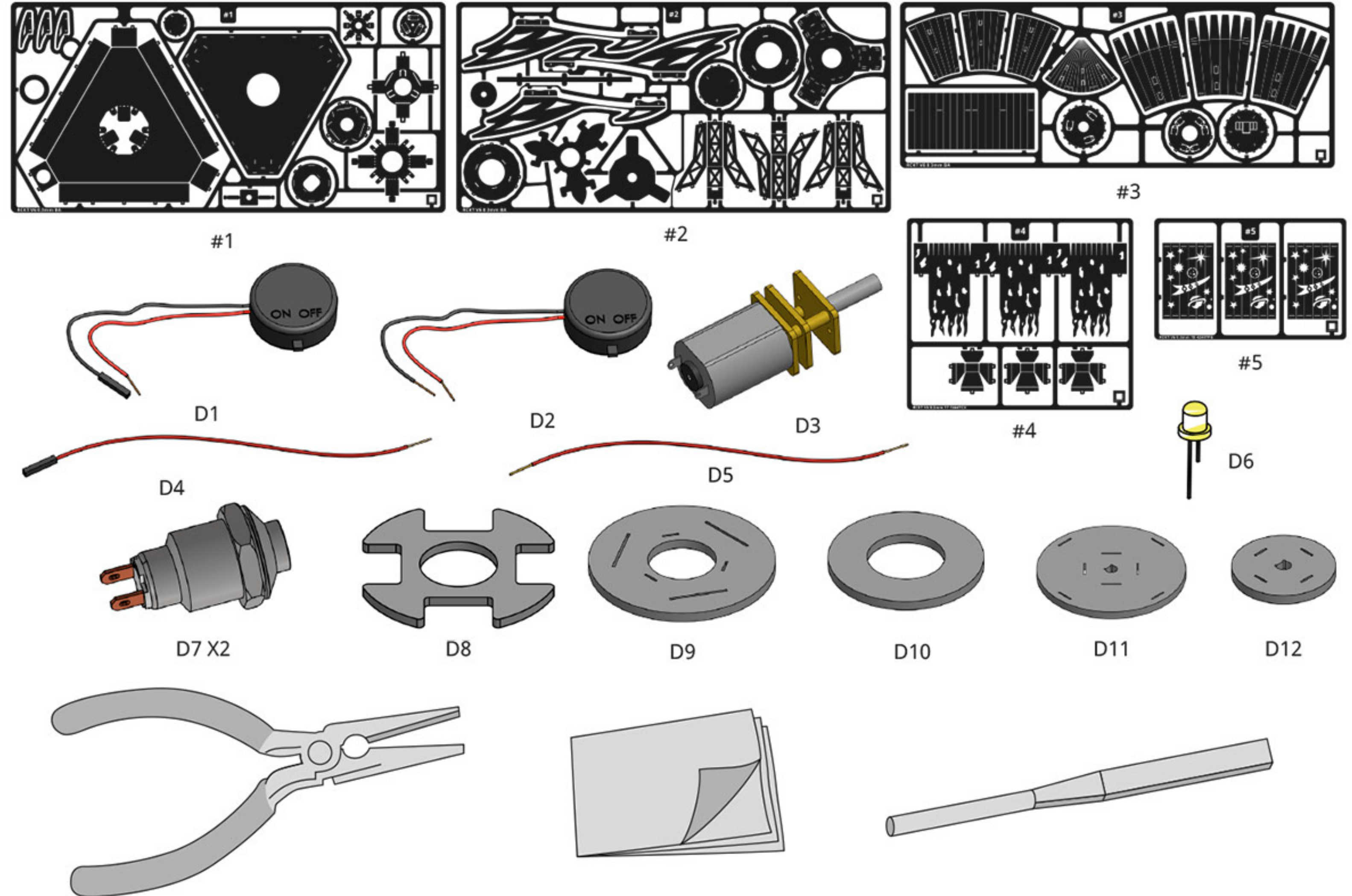
Bend the ears 90°

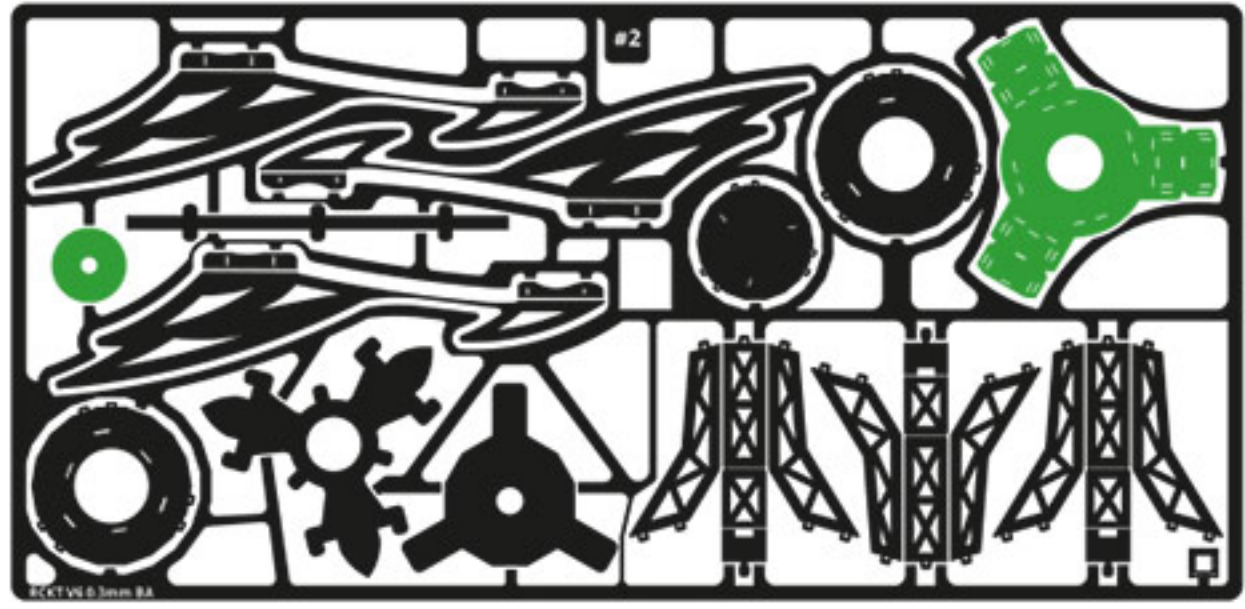
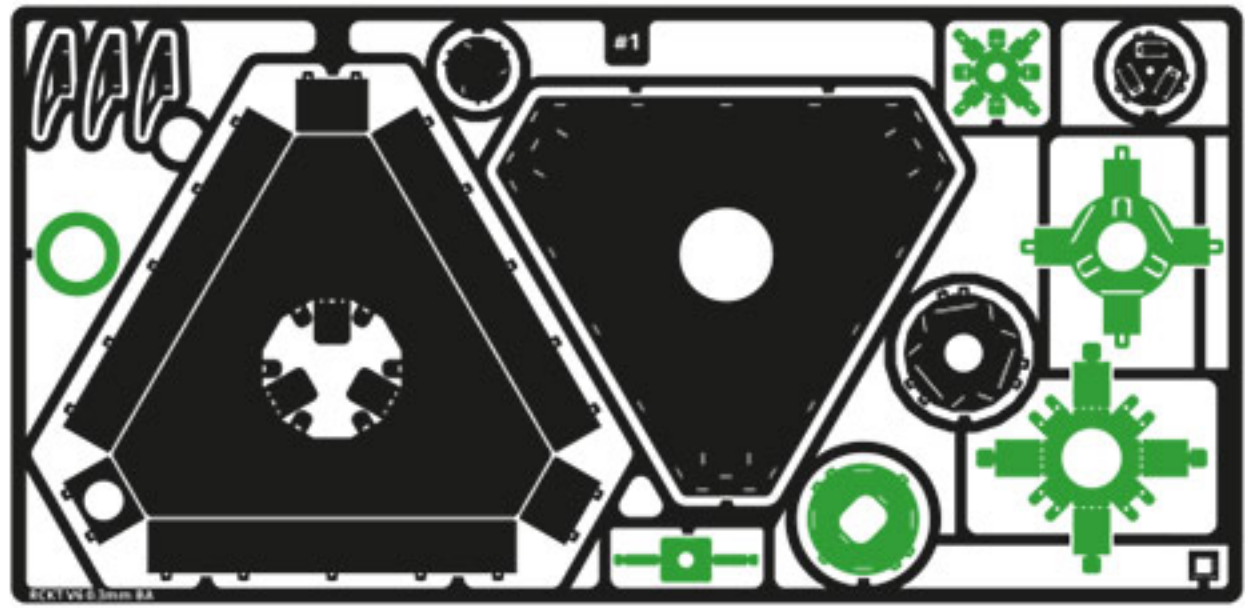


Twist the eyelet 45°

WARNING! Product contains small parts and sharp parts. Not suitable for children under 3 years of age. Please read these instructions carefully before assembly and use.

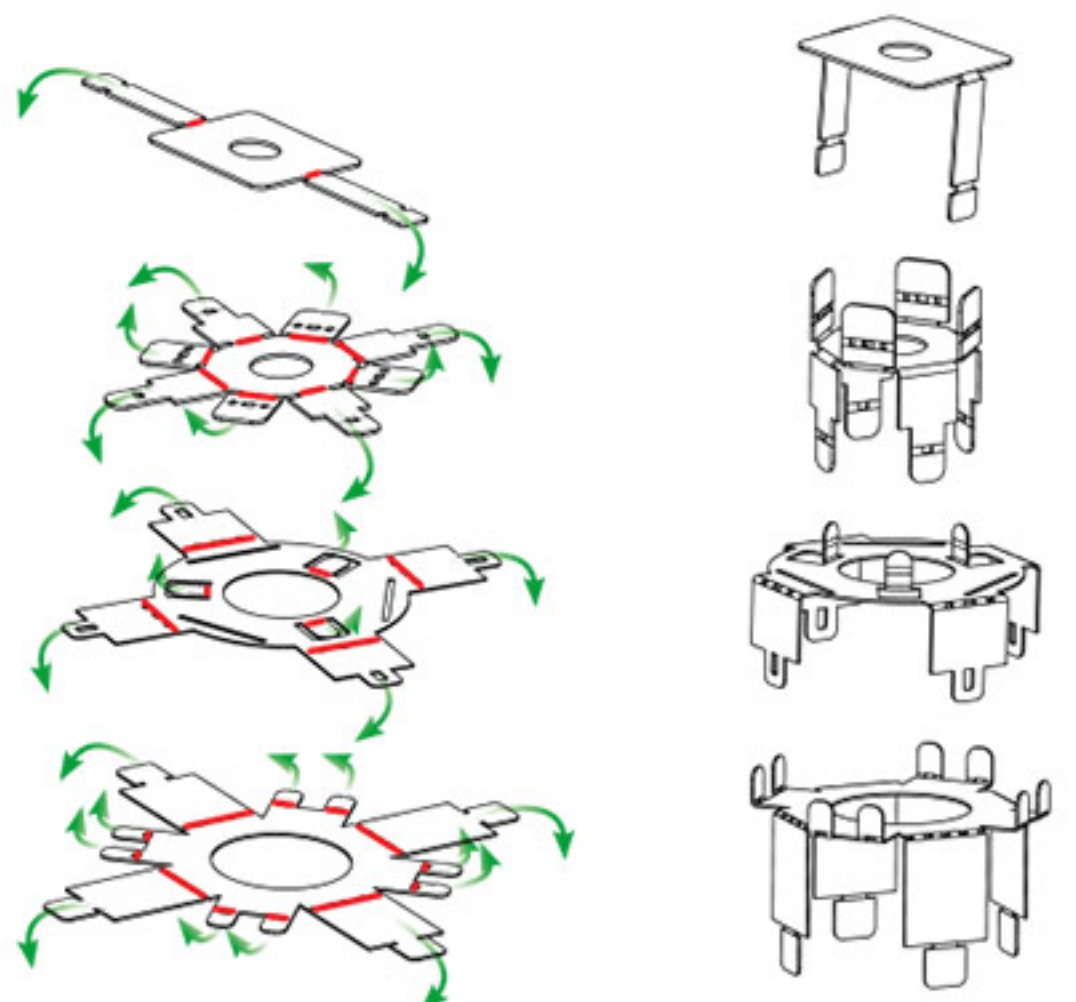
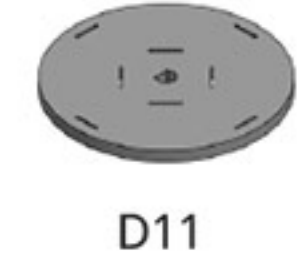
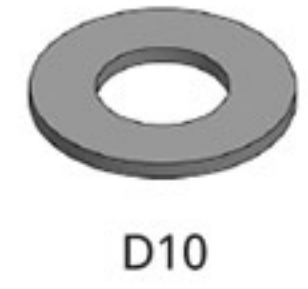
MODEL PARTS AND ASSEMBLY TOOLS





#1

#2

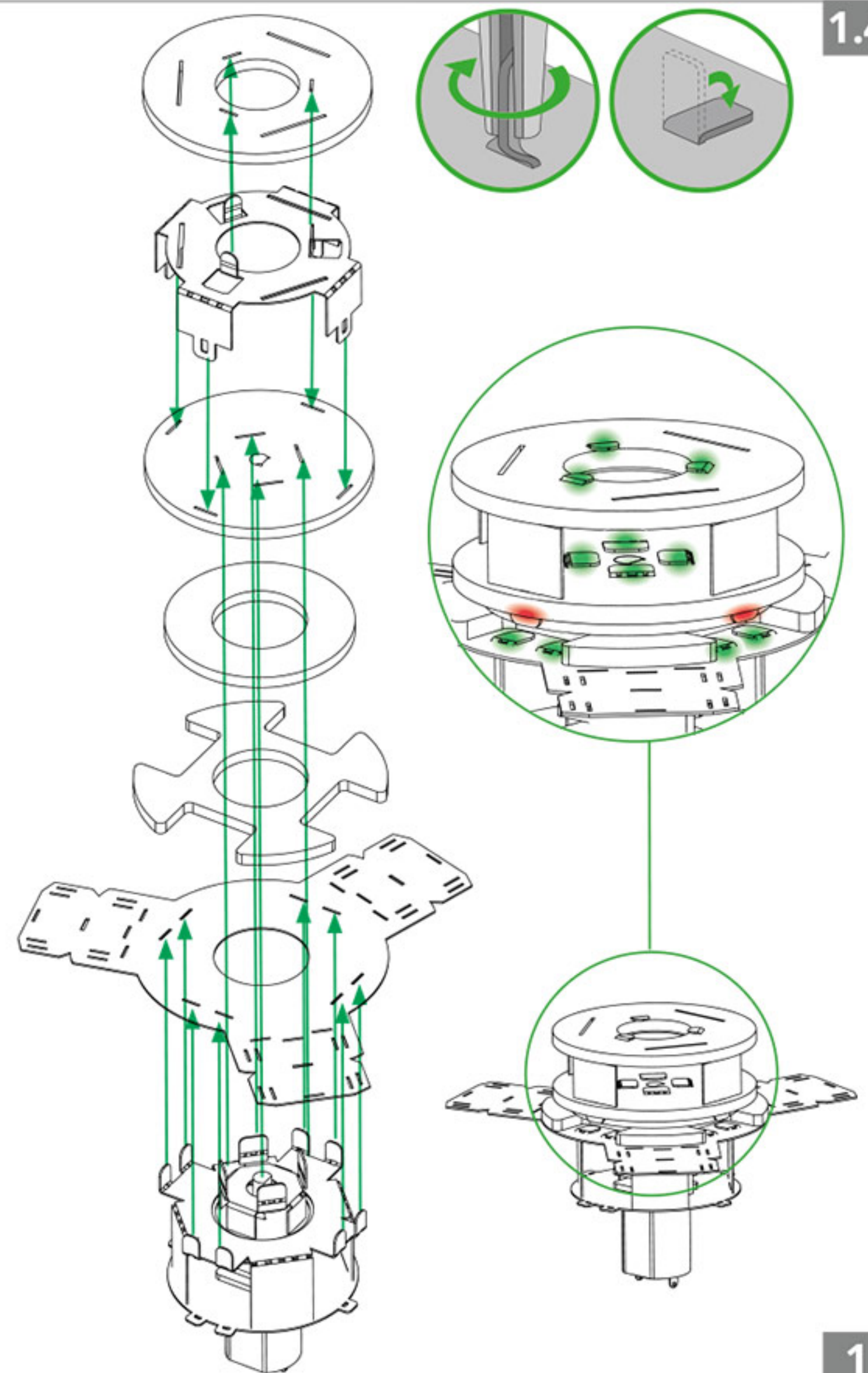
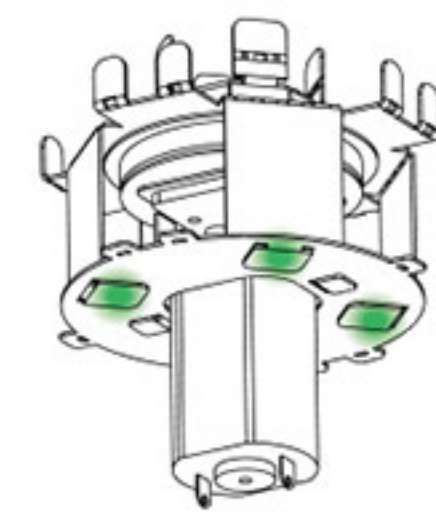
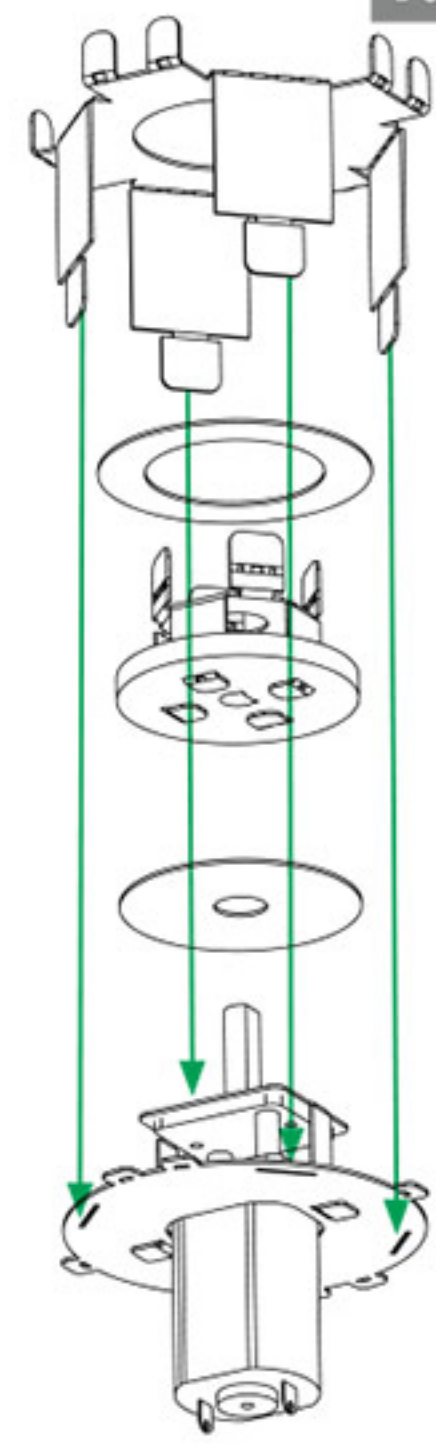
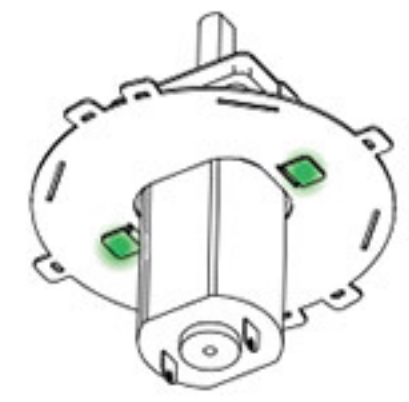
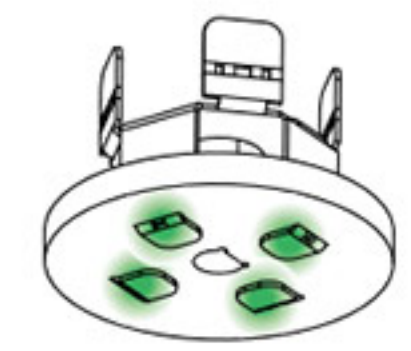
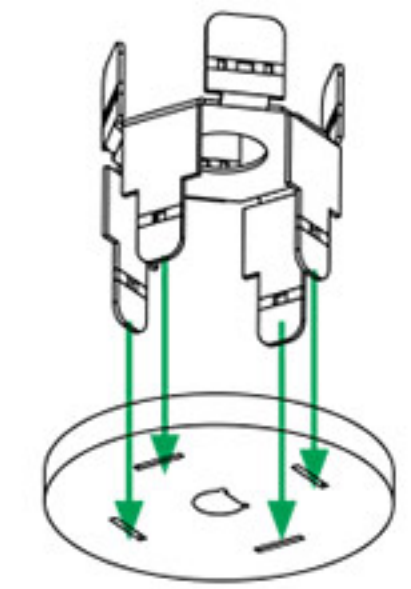
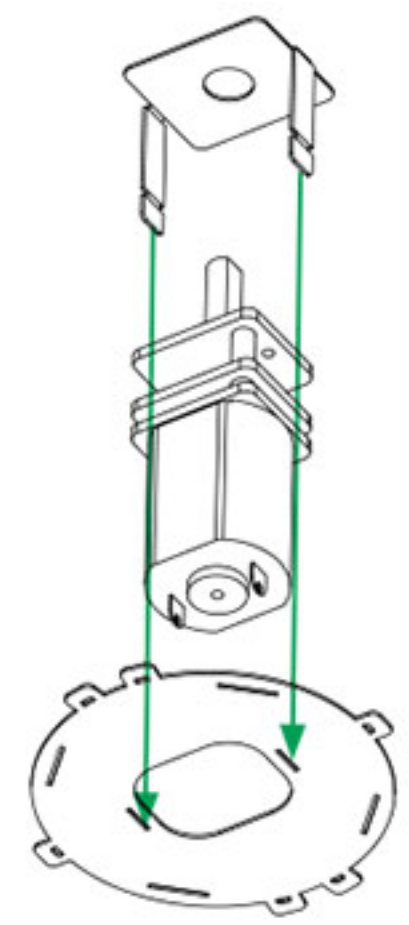


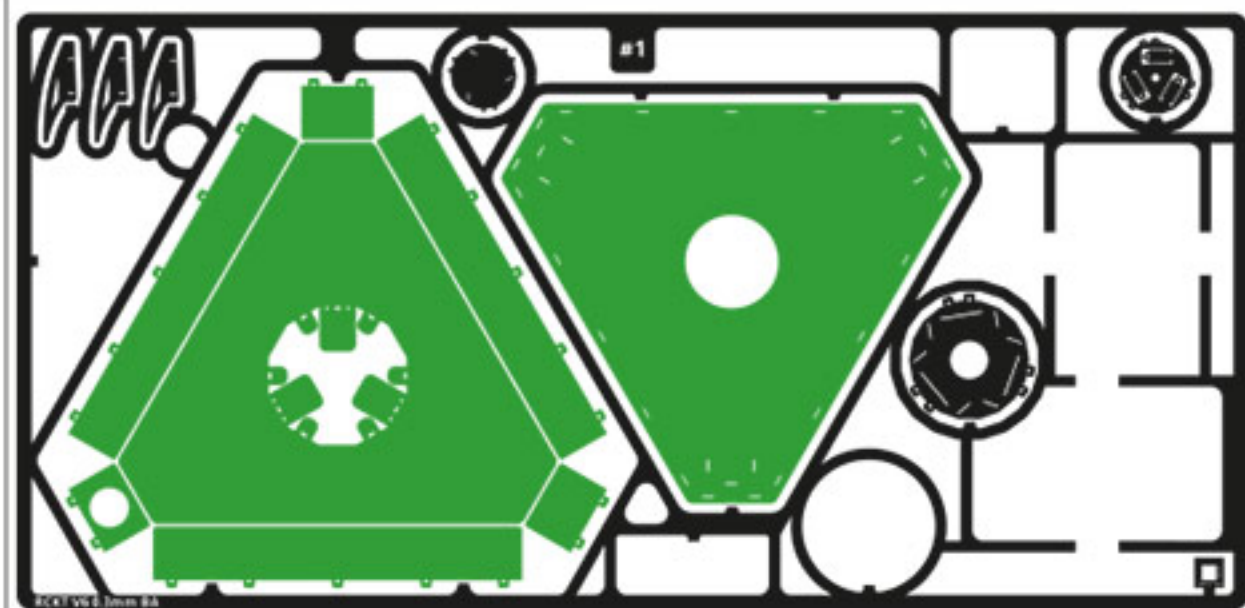
1.1

1.2

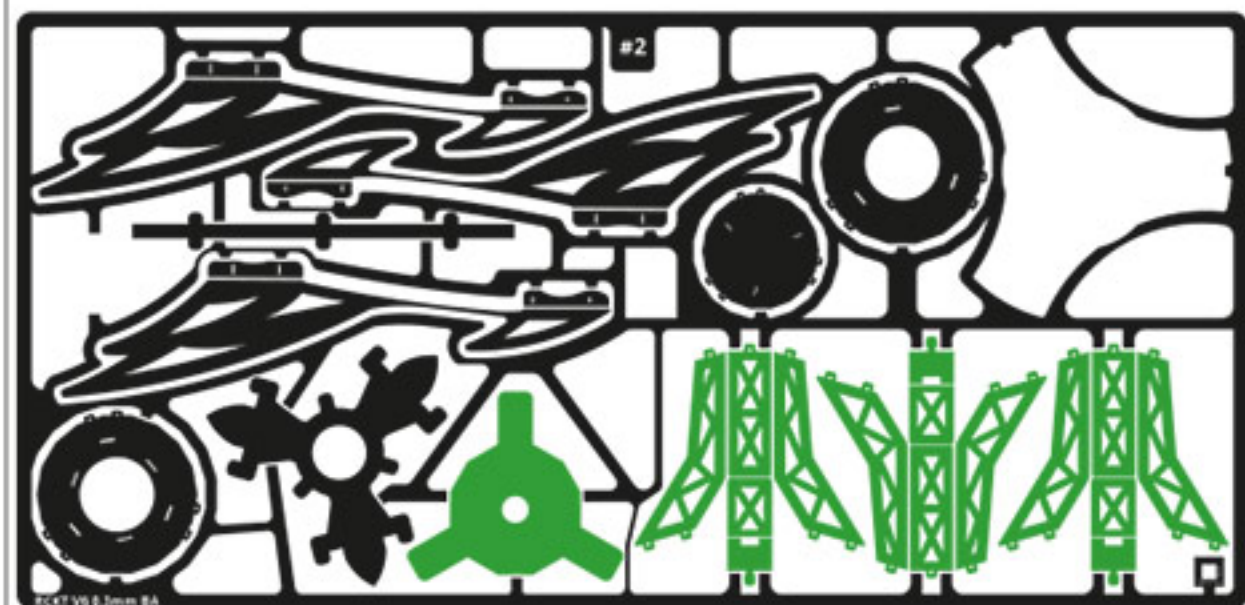
1.3

1.4

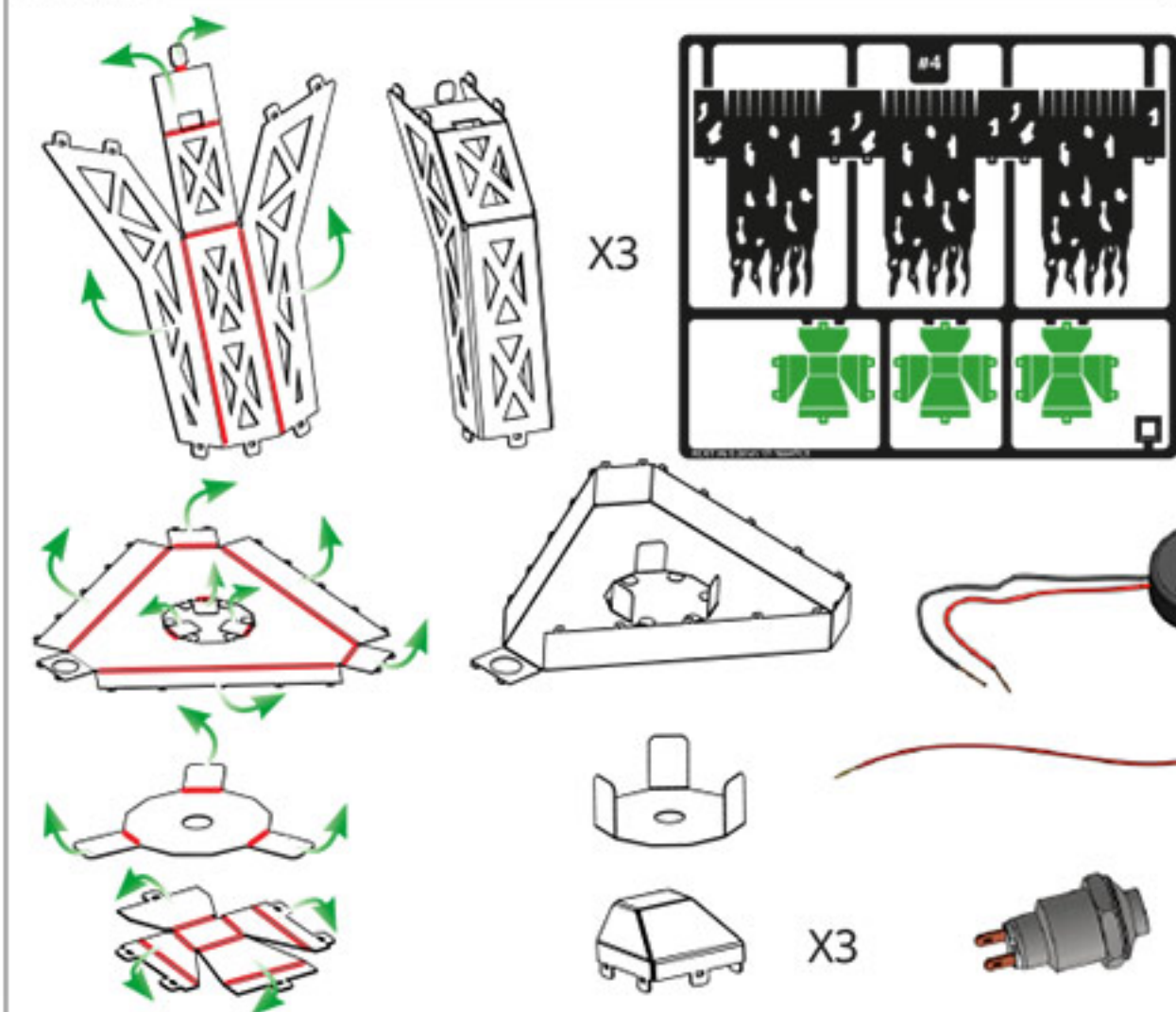




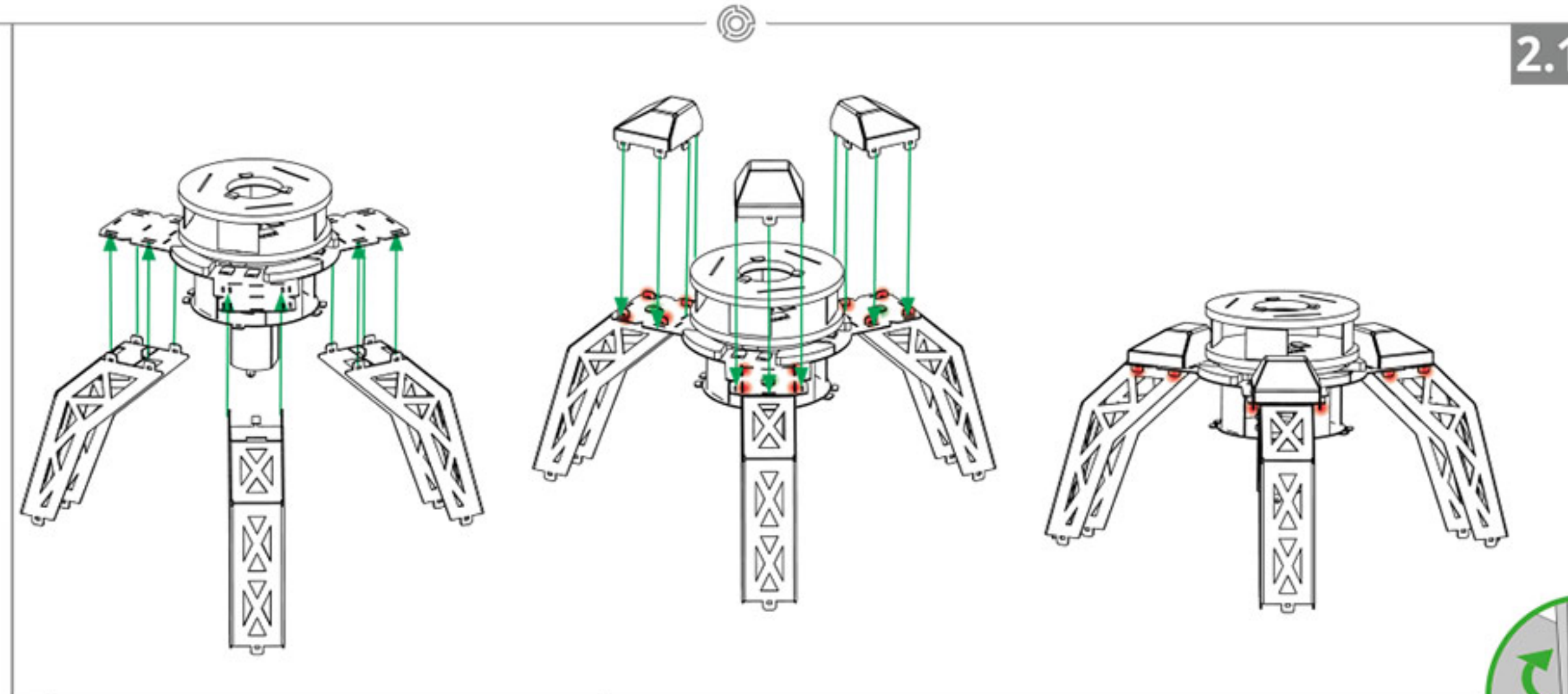
#1



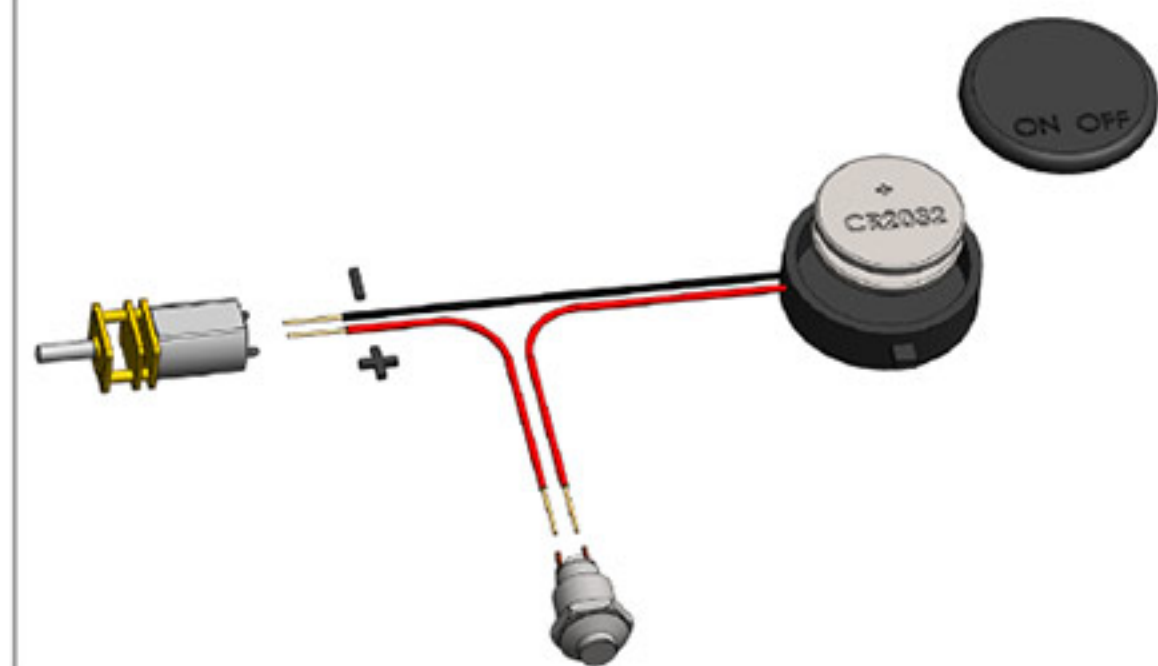
#2



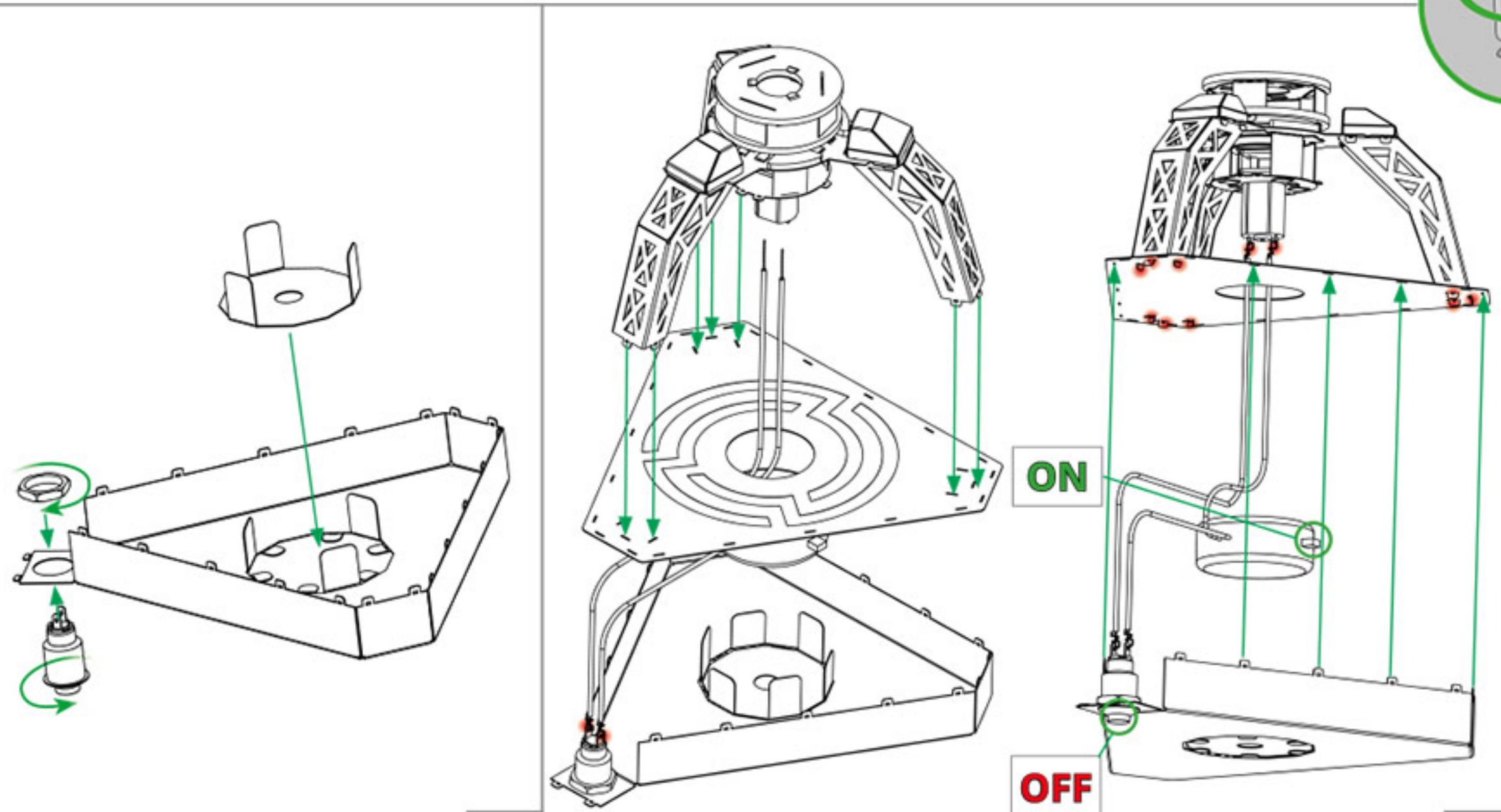
#4



2.1



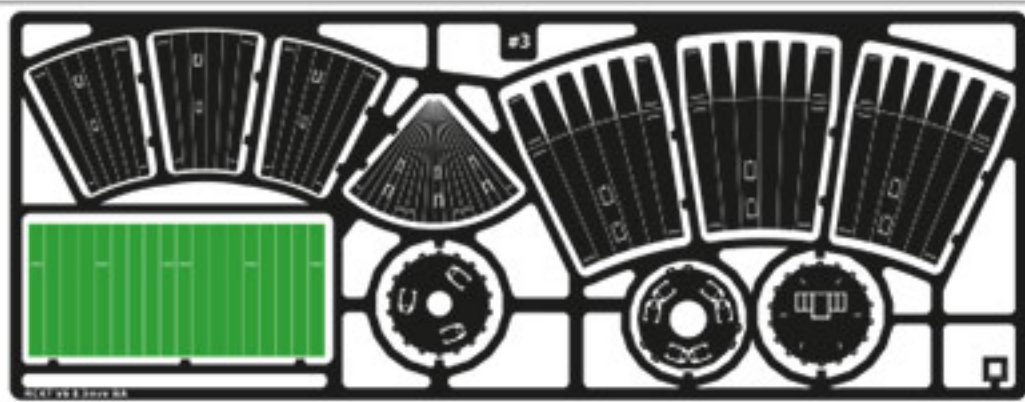
2.4



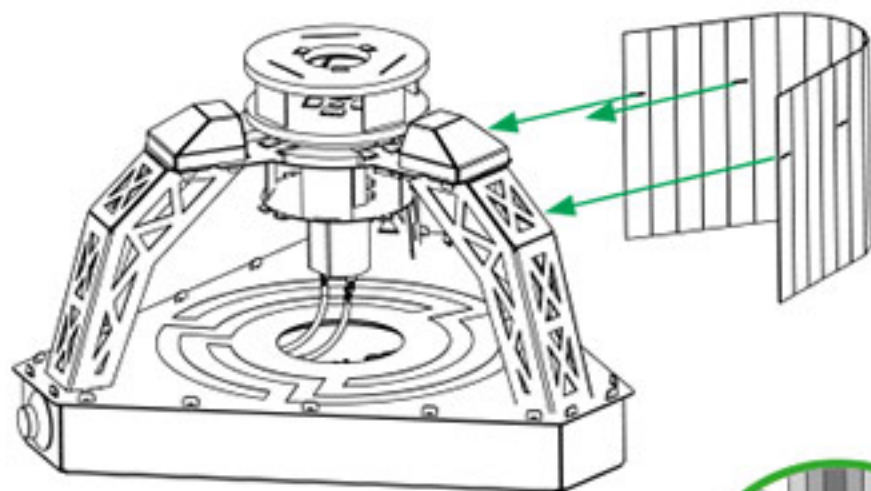
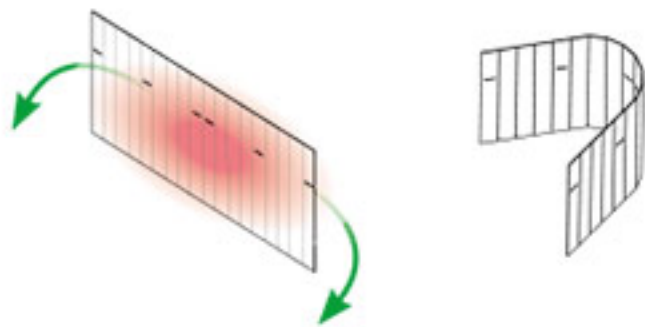
2.2

2.3

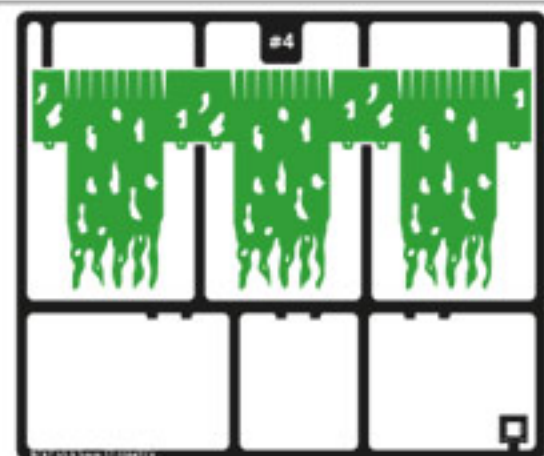
2



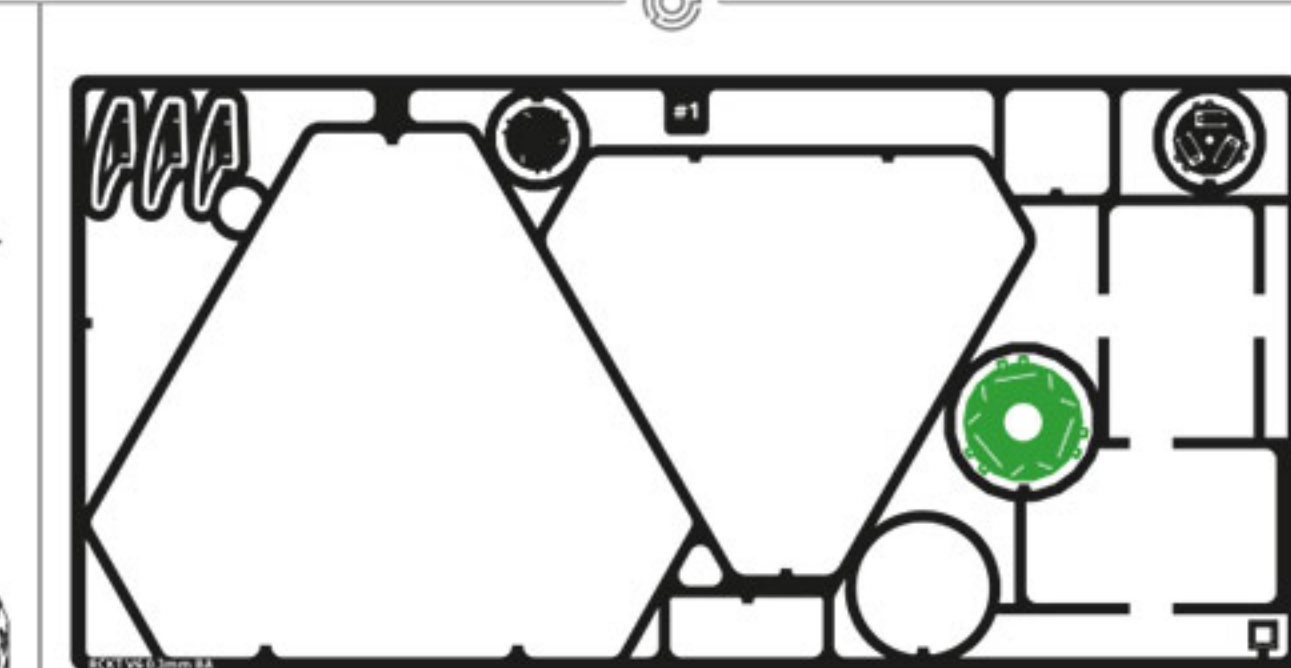
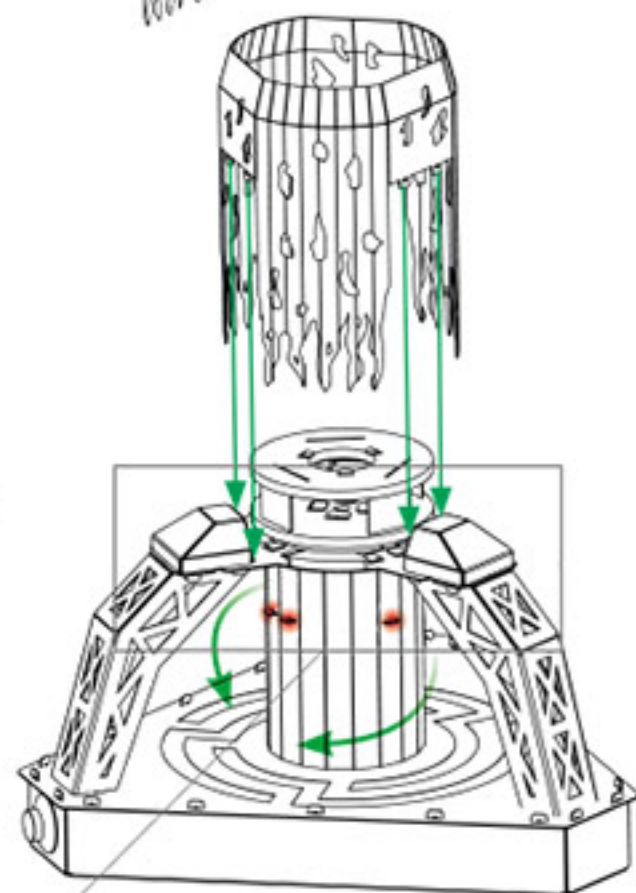
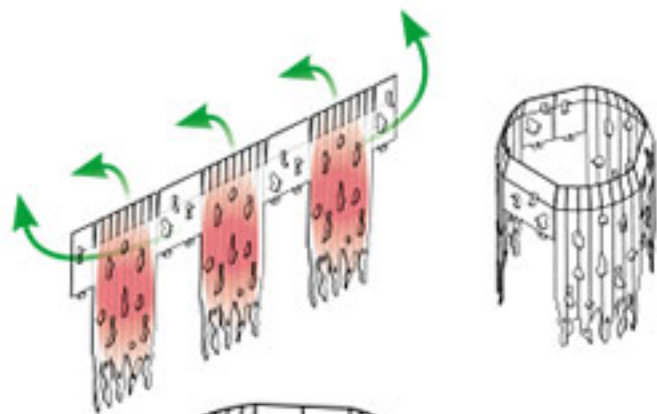
#3



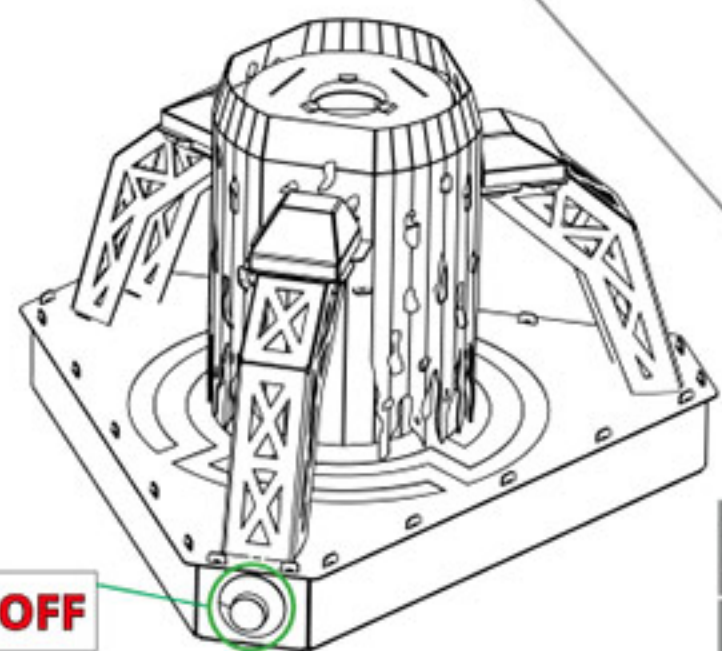
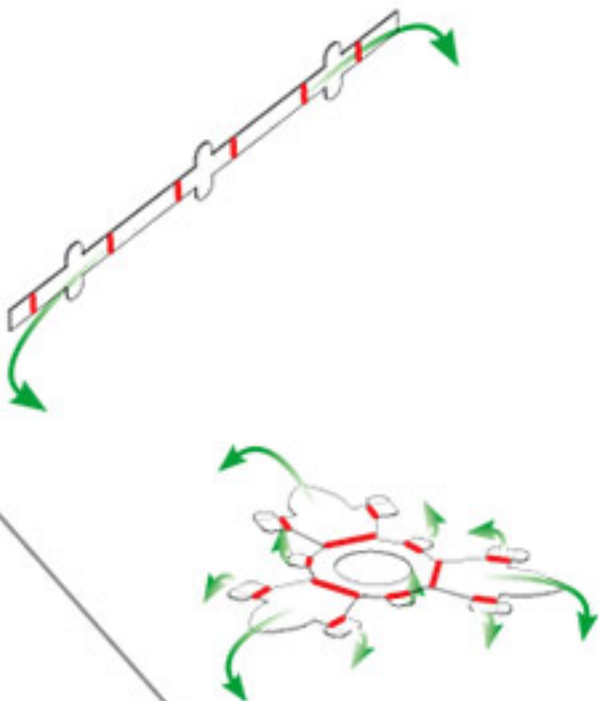
3.1



#4



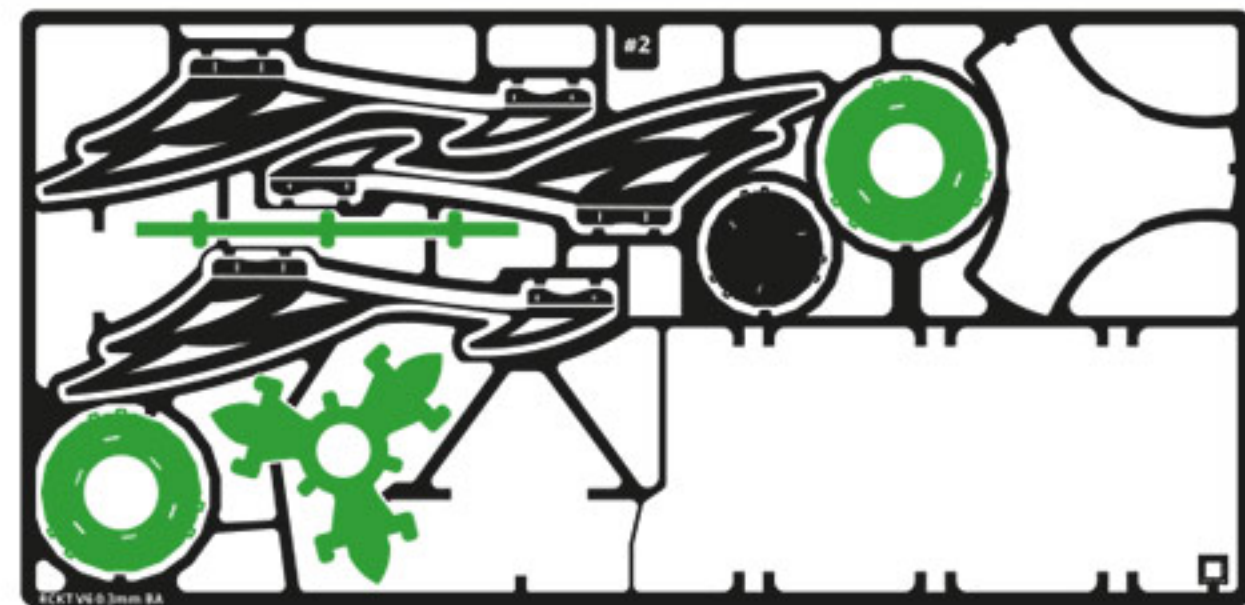
#1



ON OFF

3.2

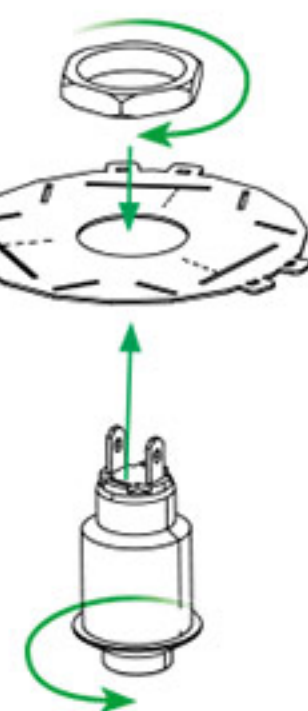
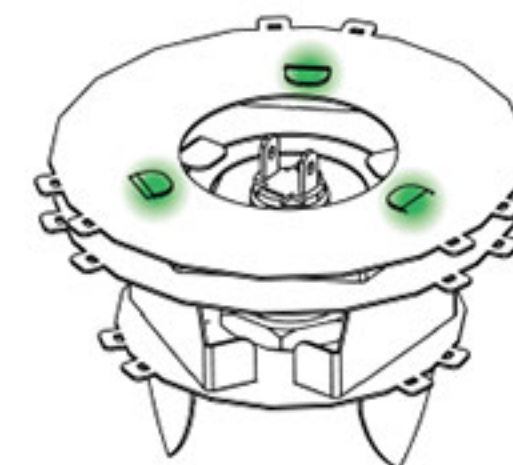
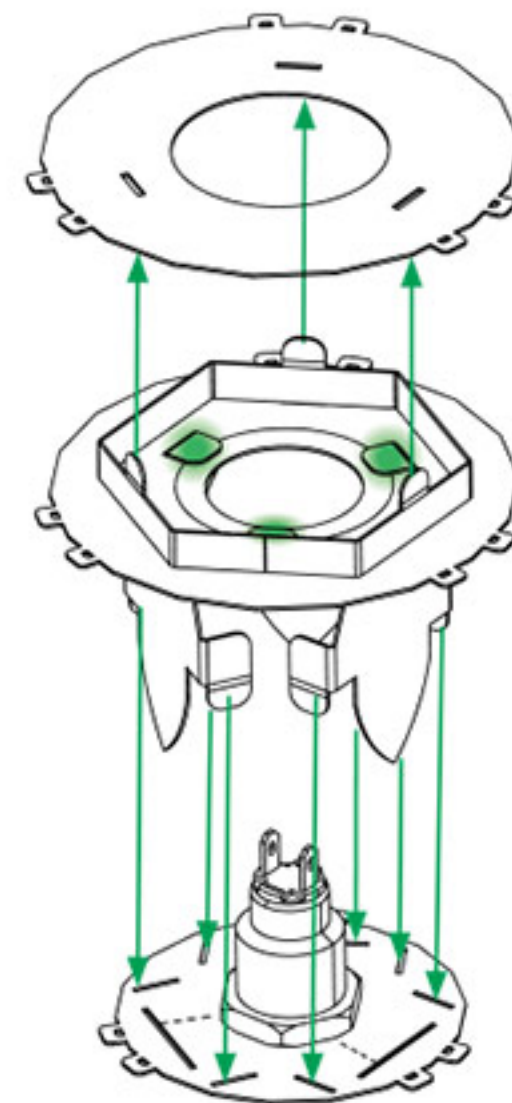
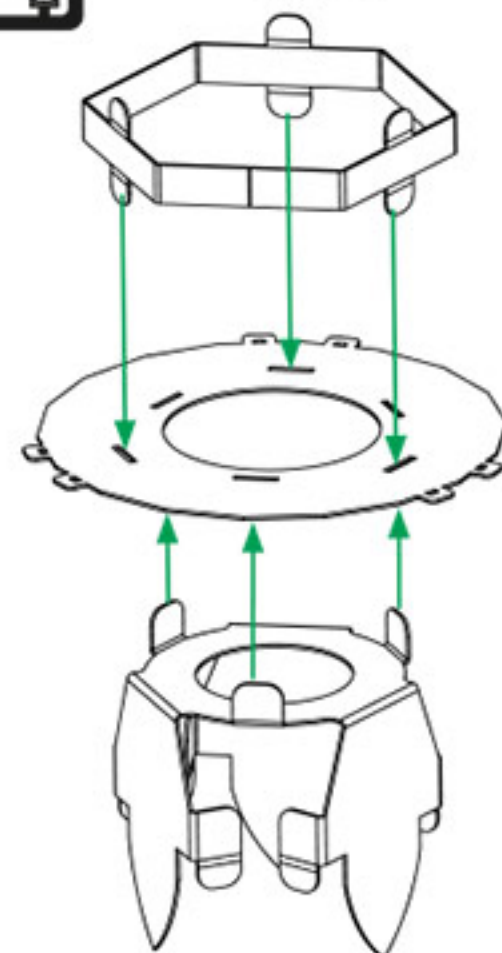
3



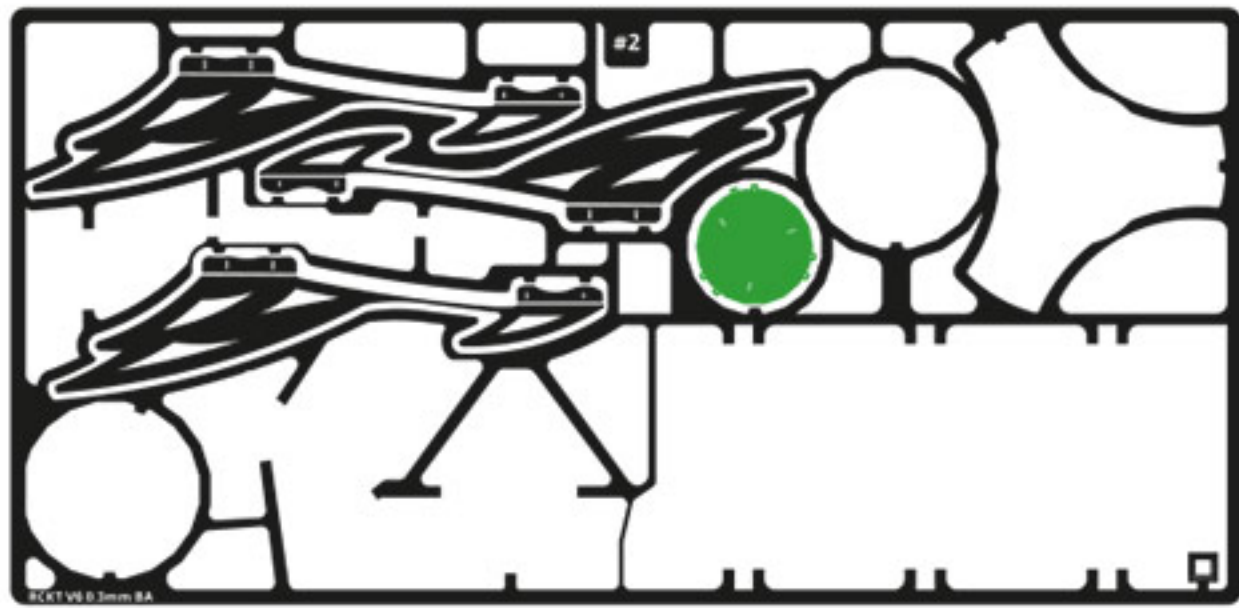
#2



D7



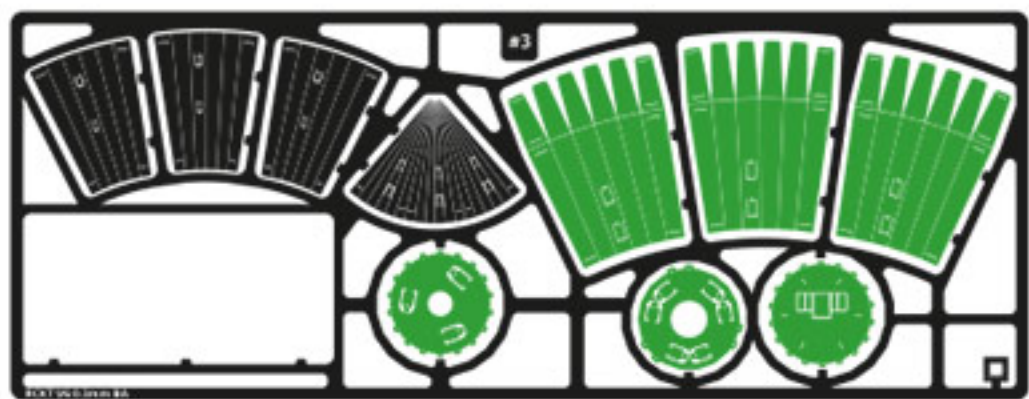
4



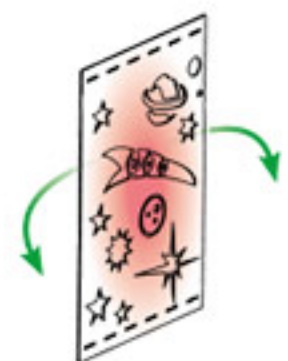
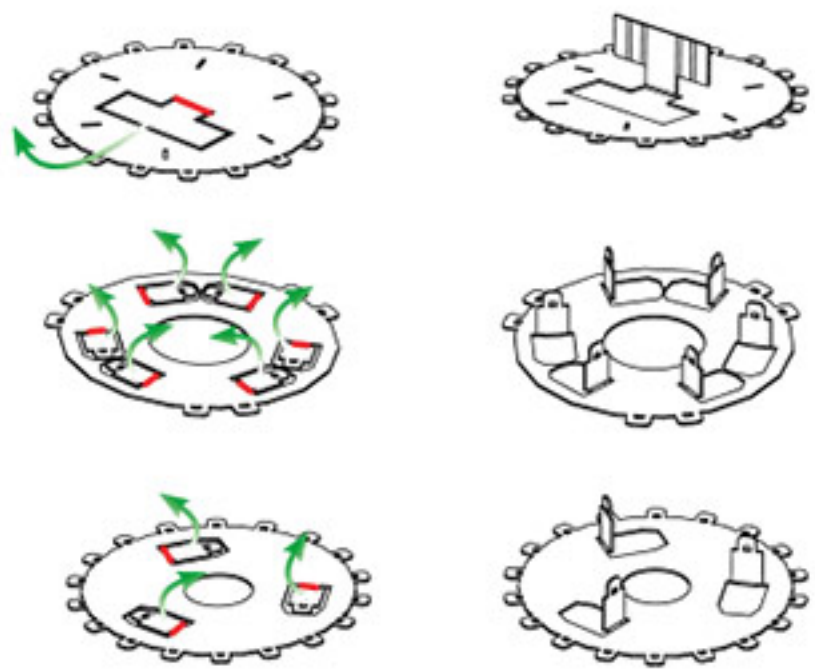
#2



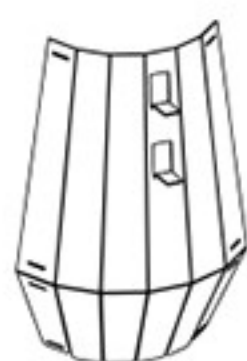
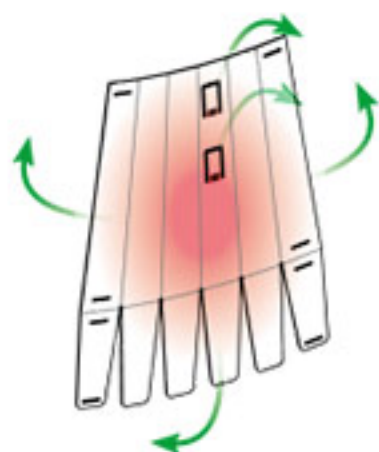
#5



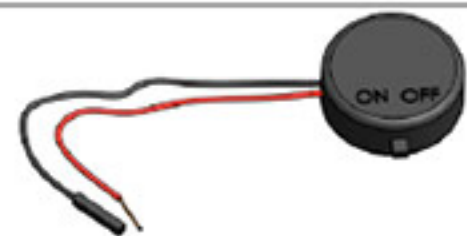
#3



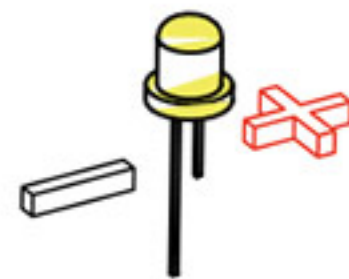
X3



X3



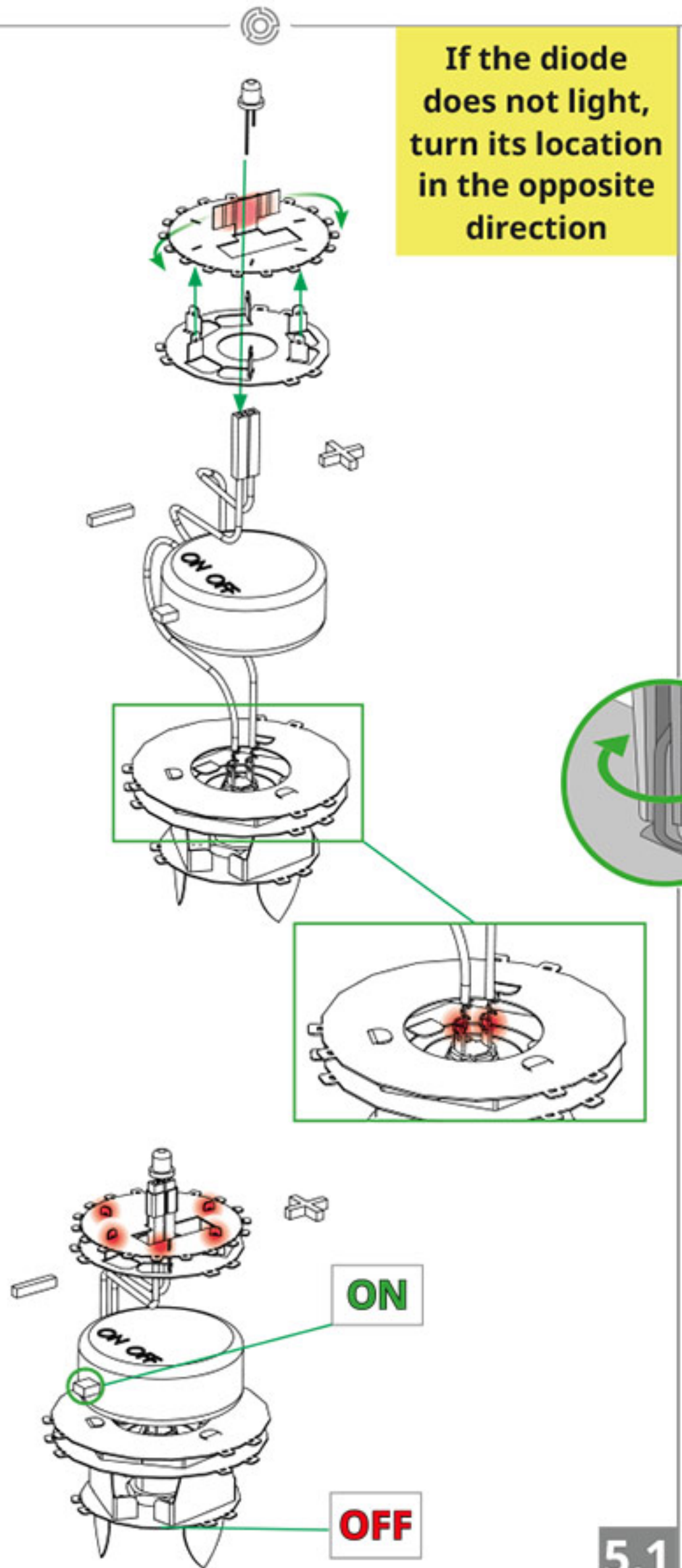
D1



D6



D4

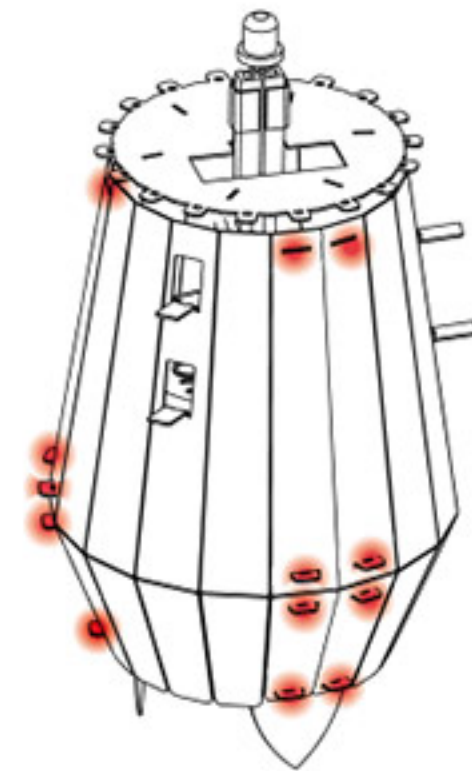
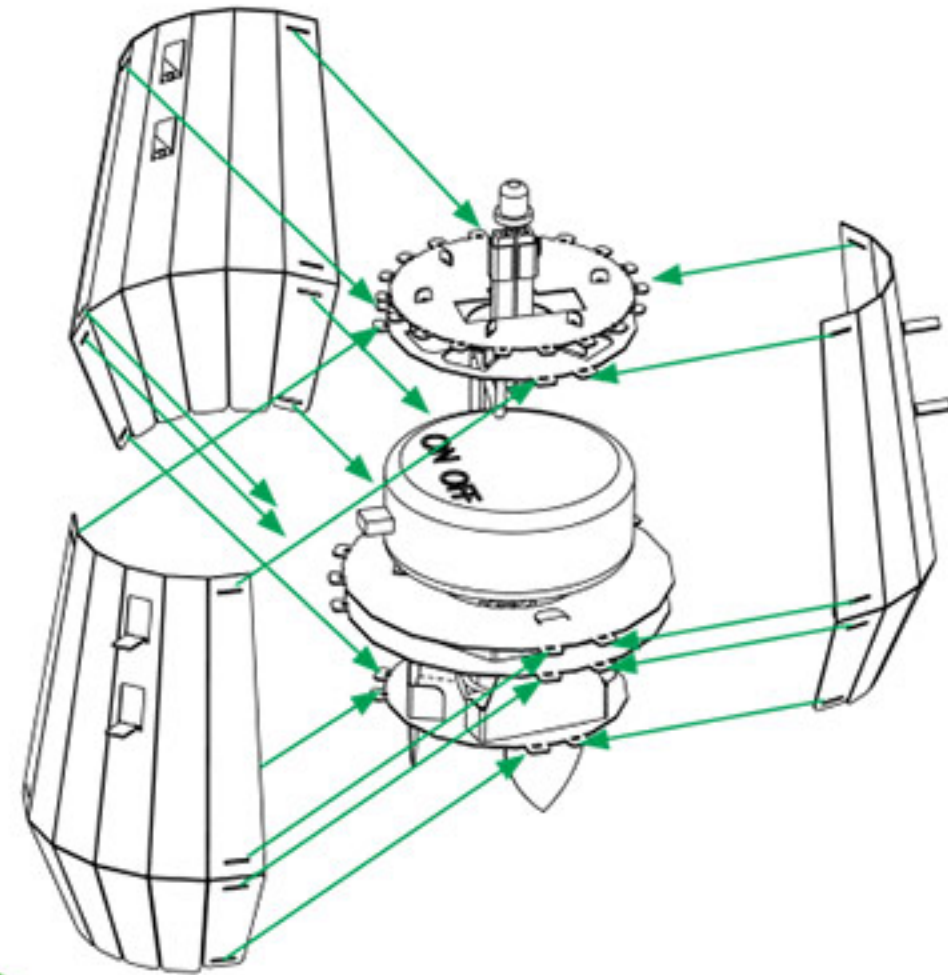


If the diode does not light, turn its location in the opposite direction

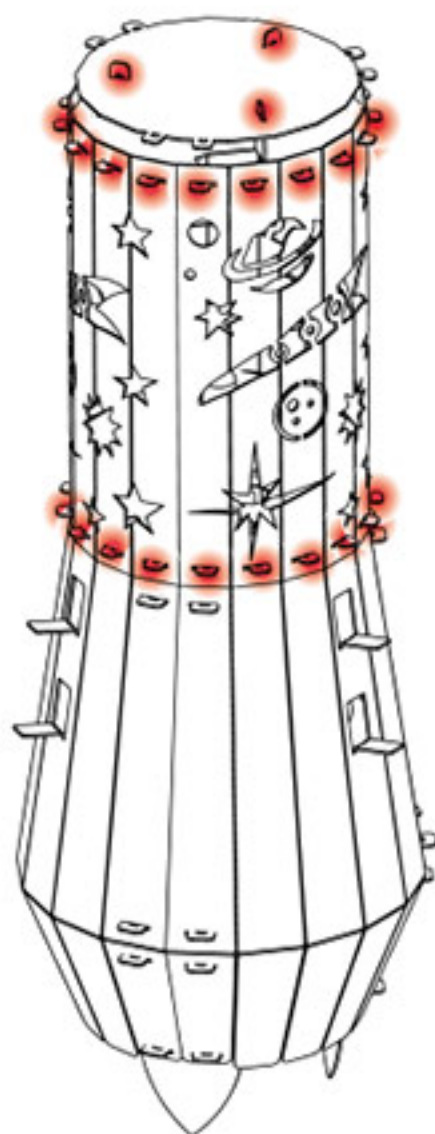
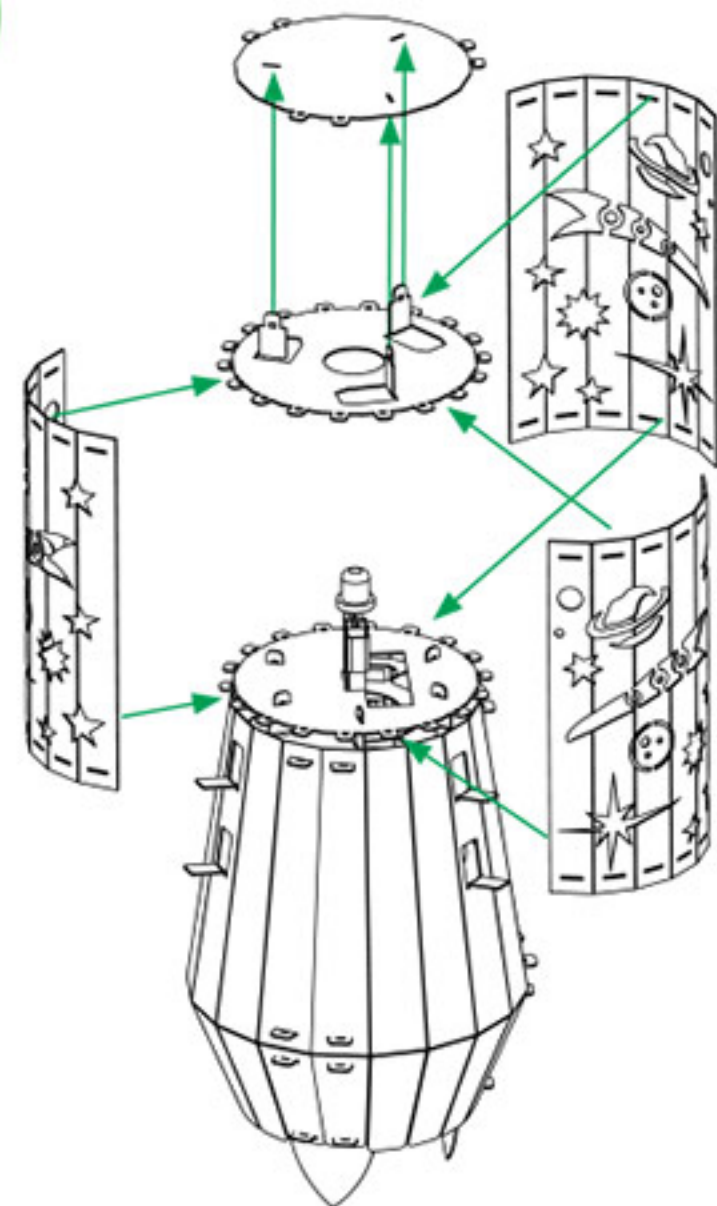
ON

OFF

5.1

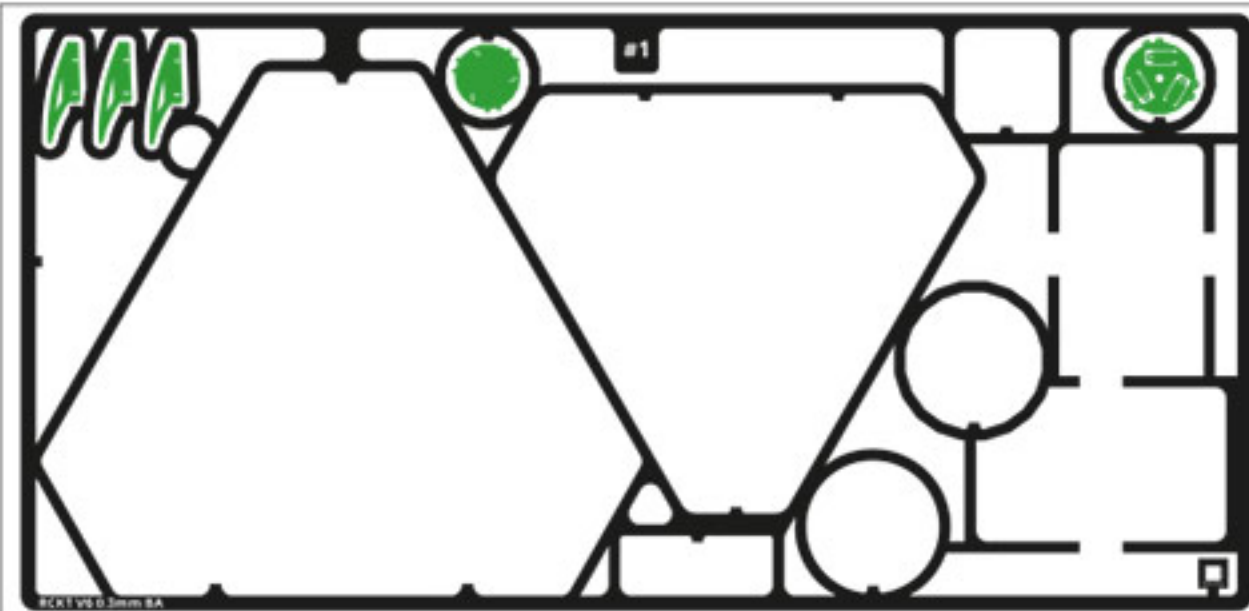


5.2

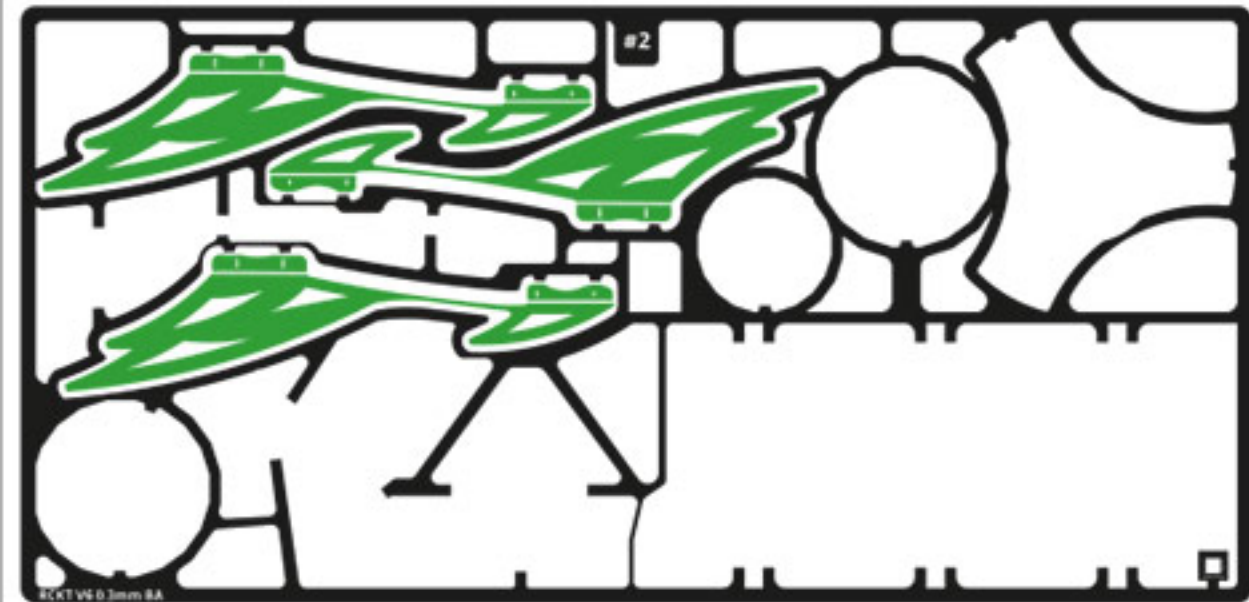


5.3

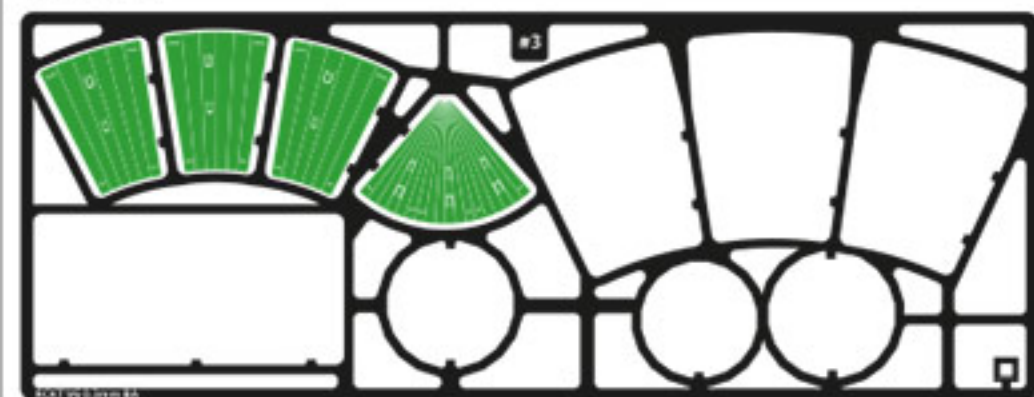
5



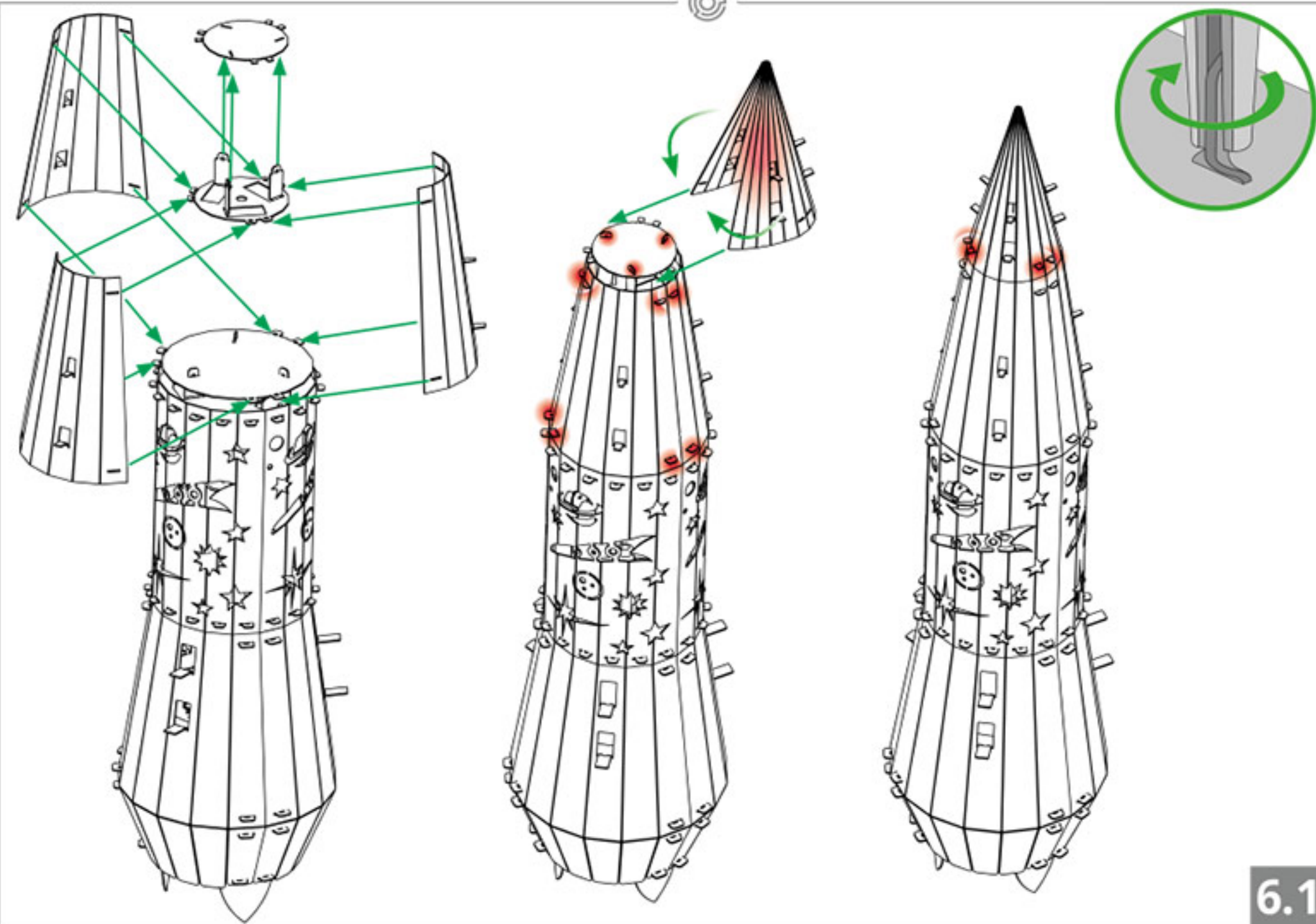
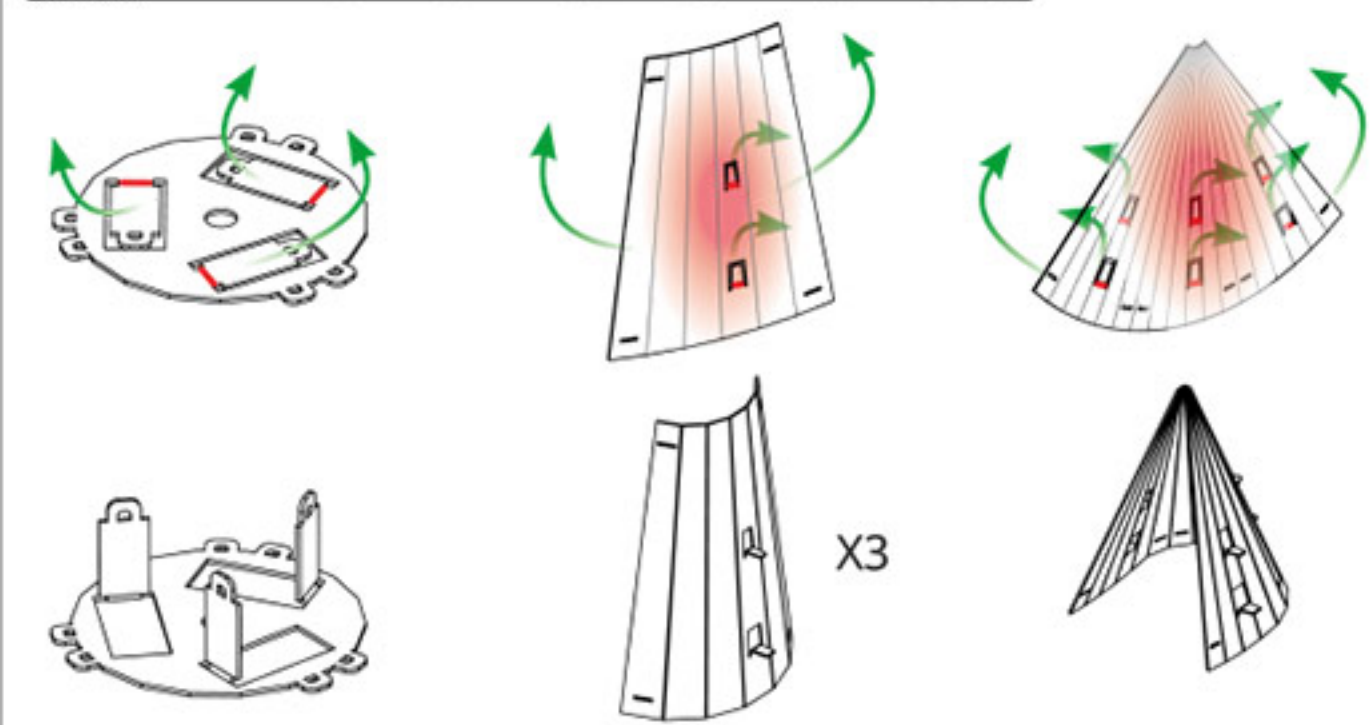
#1



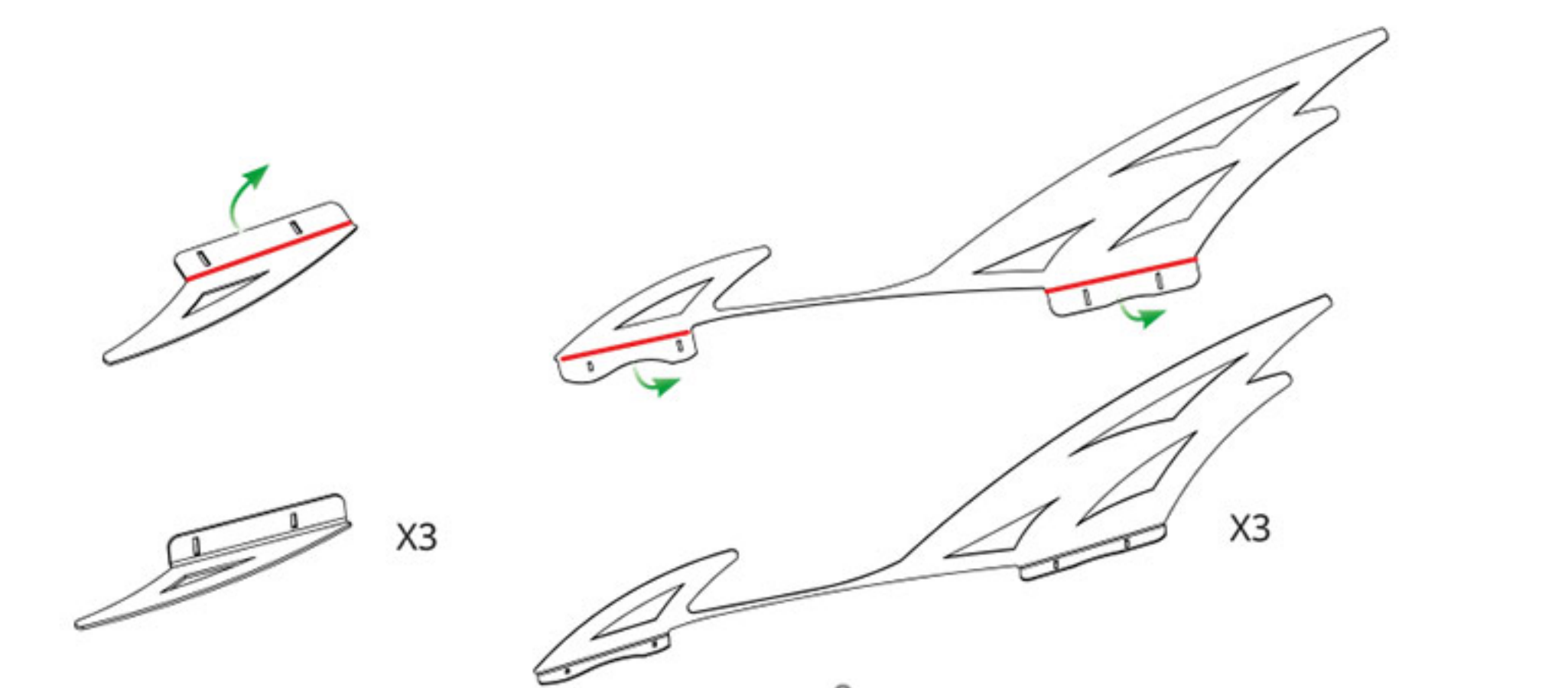
#2



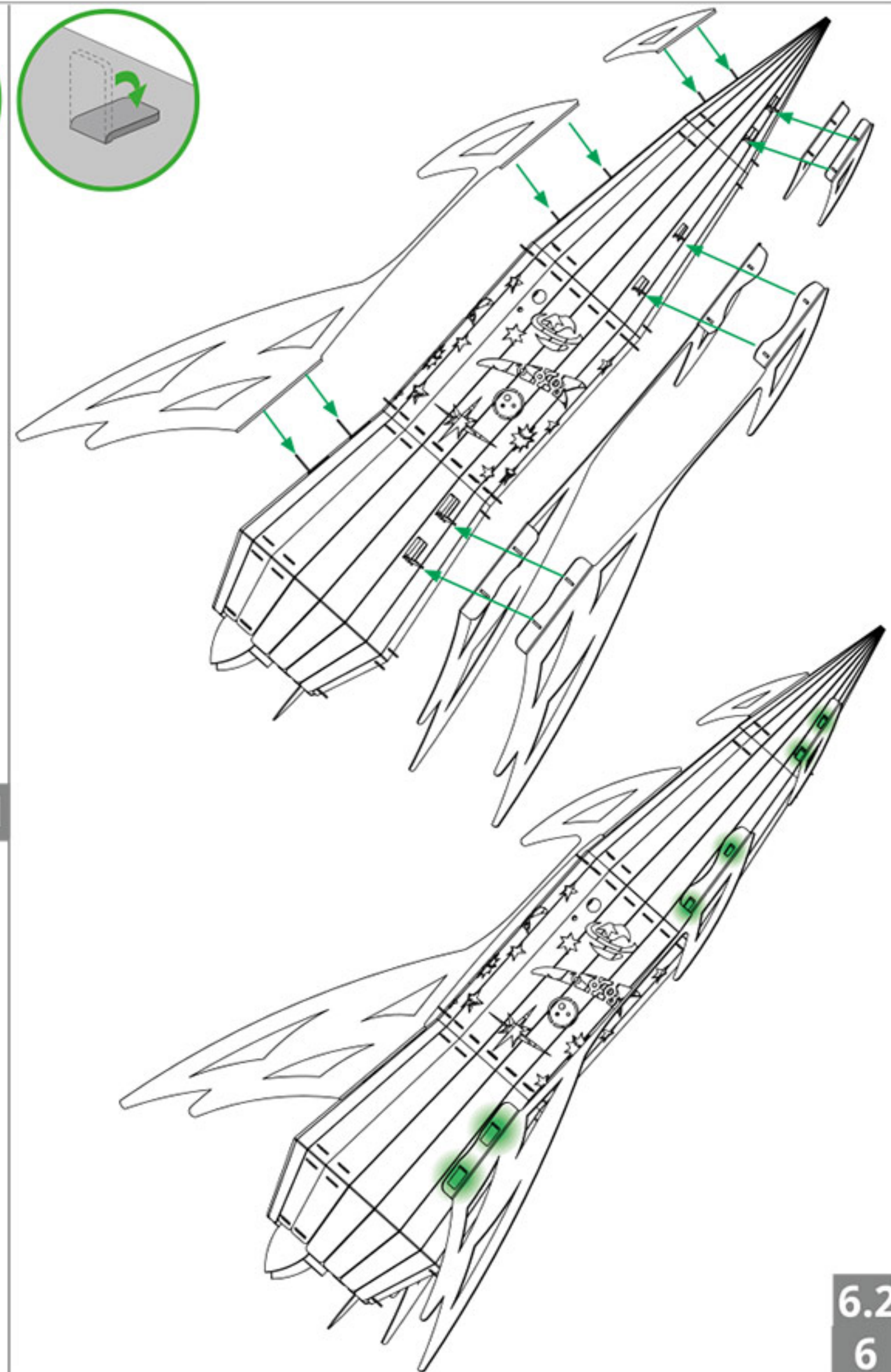
#3



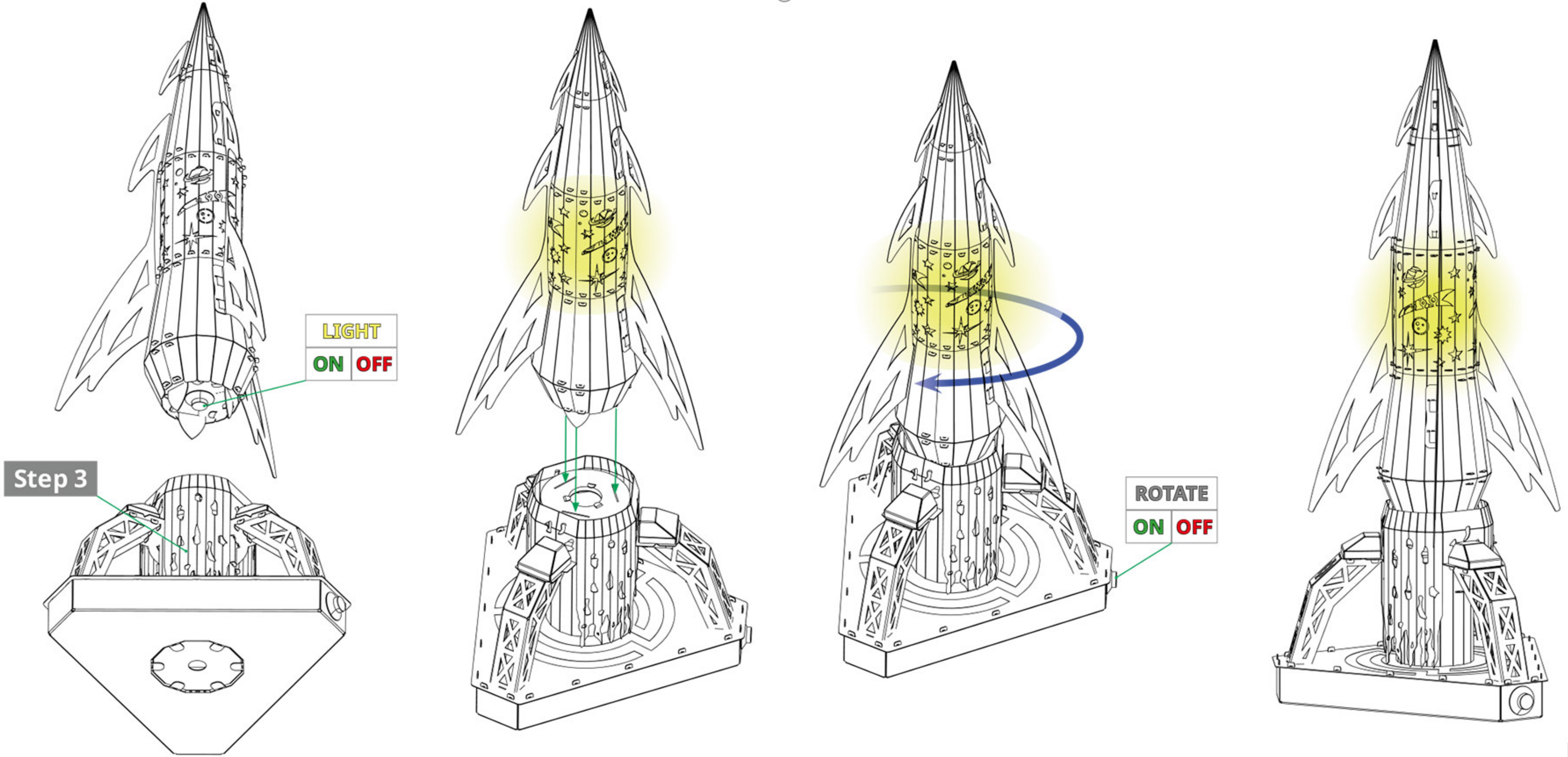
6.1



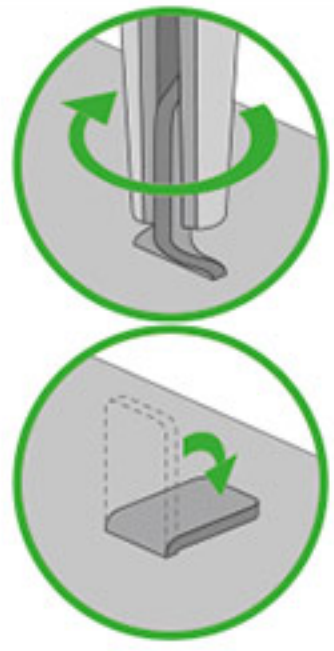
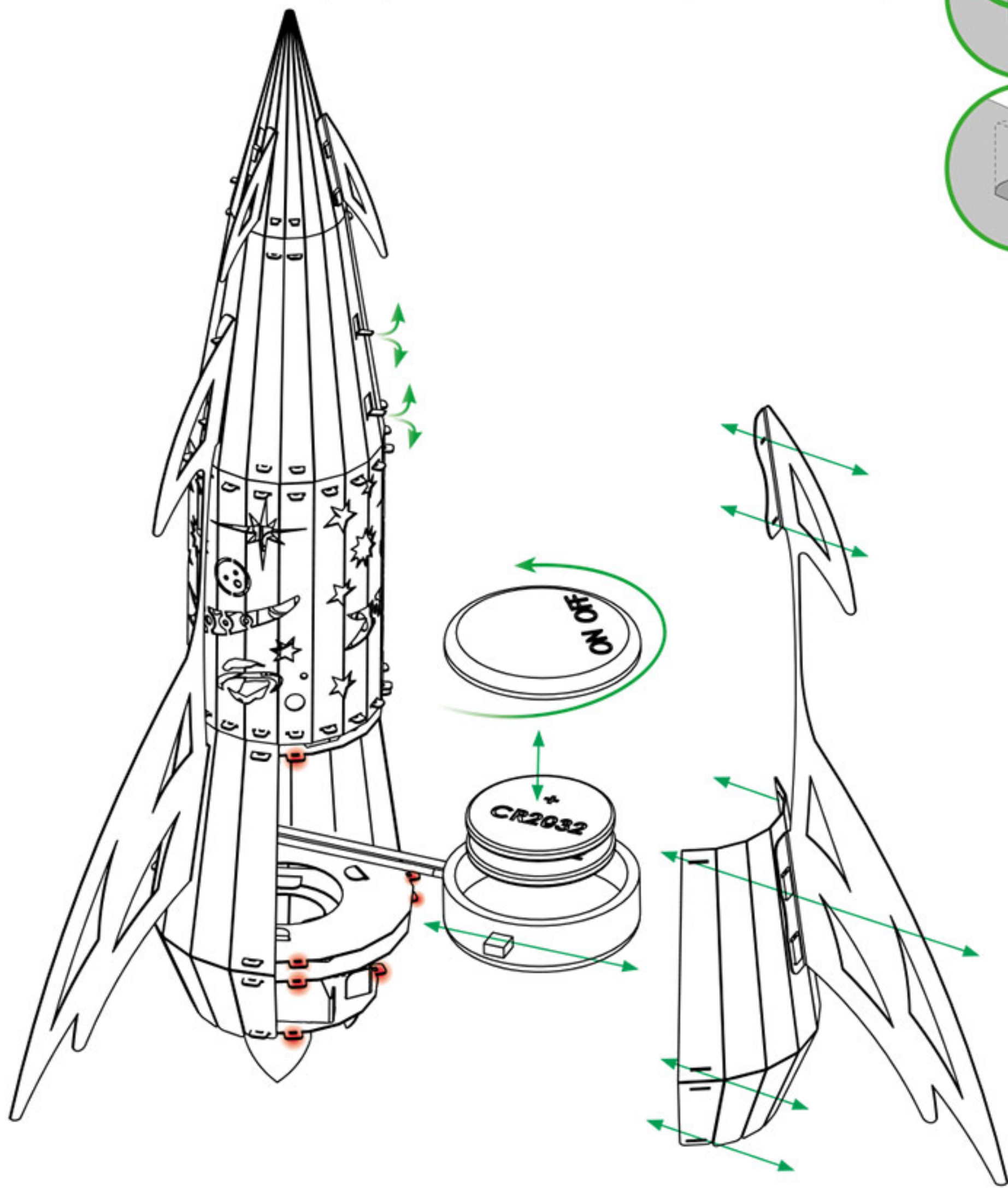
8



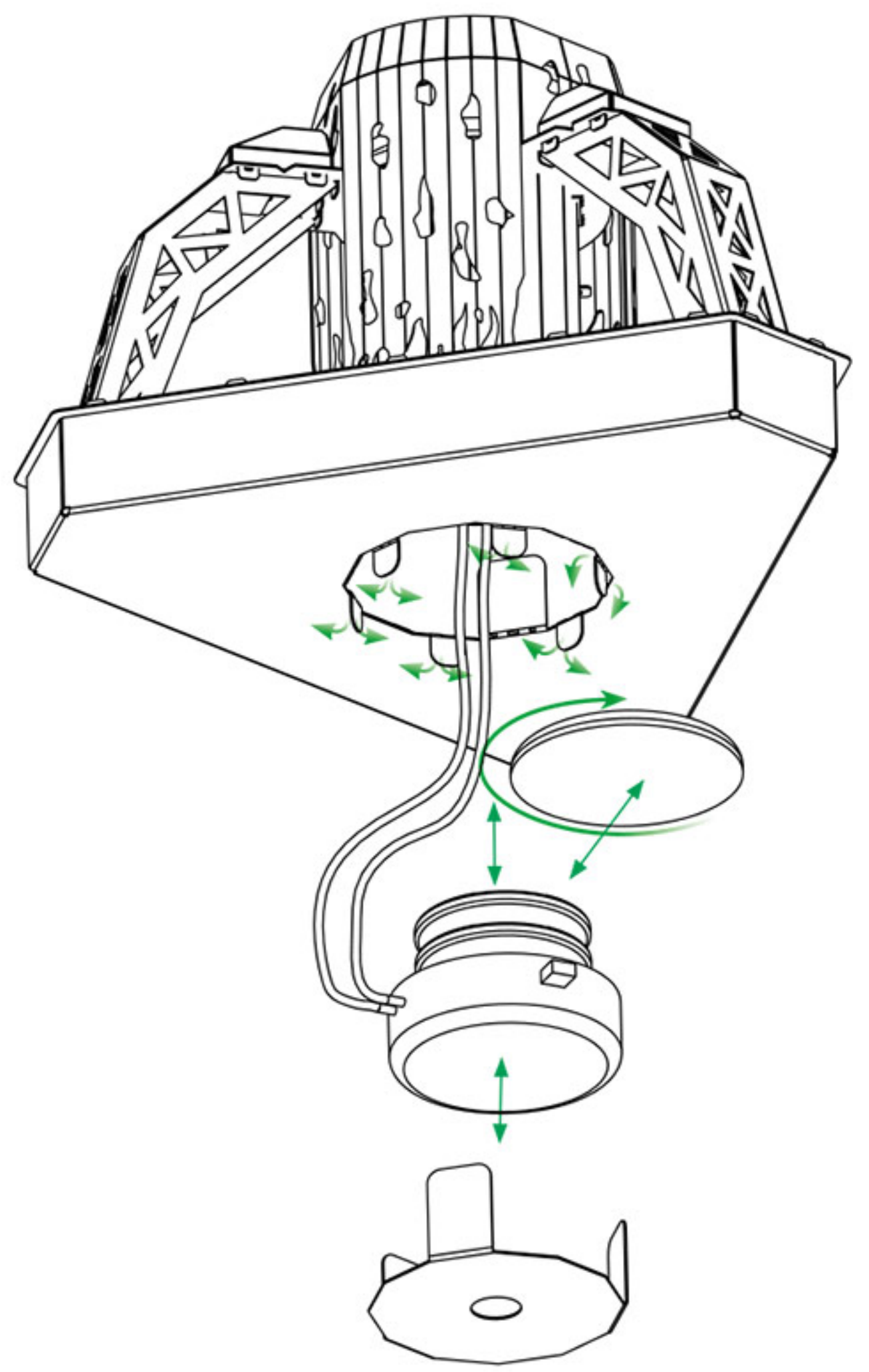
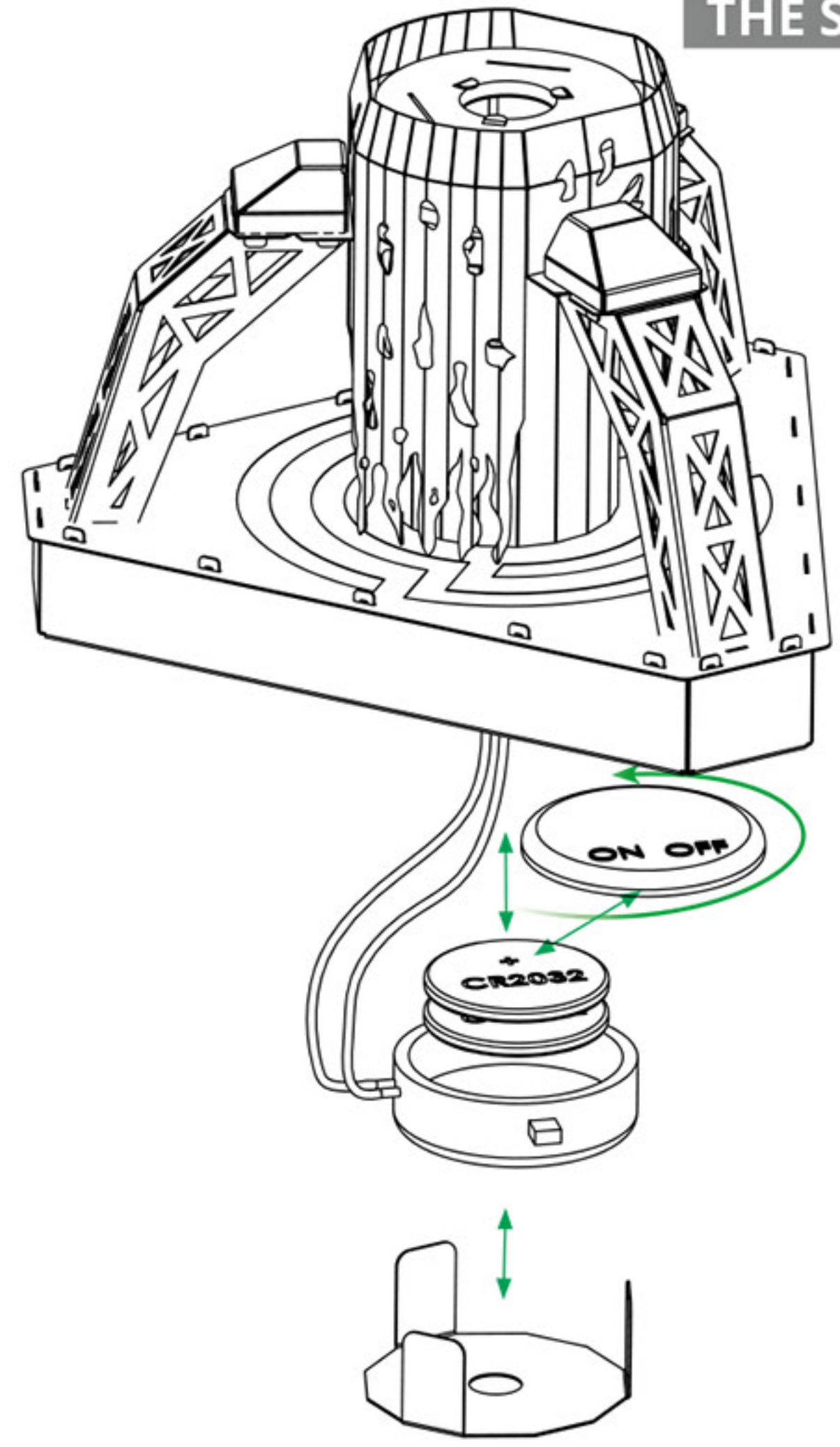
6.2
6



REPLACING BATTERIES IN THE ROCKET (R2032 - 2)



REPLACING BATTERIES IN THE STAND (R2032 - 2 pcs)



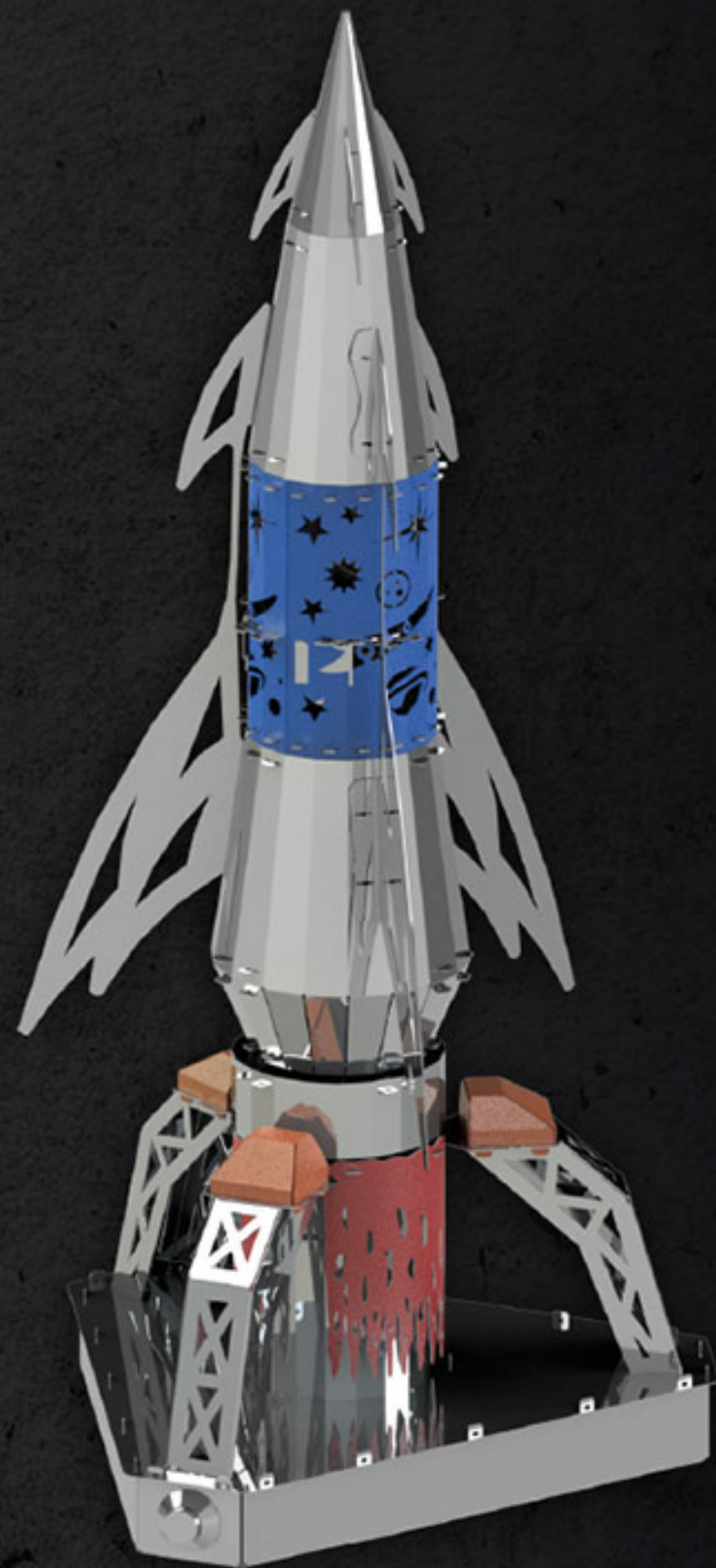




Model name:

AD STRA

For tens of thousands of years, human beings have been fascinated by the patterns of stars in the sky. Early people noticed constellations of stars that looked like animals and people, and made up stories about what they thought they saw. In fact, the oldest records we have of astronomical observations are 30,000-year-old paintings found on the walls of caves. Stars since ancient times are described as forever, hope, destiny, heaven and freedom. They have also for us people great importance and we believe that falling stars make our wishes.



Designed in Ukraine  Made in China

Product number: SKU050

Product material: Stainless steel

Number of metal sheets: 5 pcs

Finish product size: L4.7" x W4.7" x H10.6" (L12cm x W12cm x H27cm)



WARNING!

The product contains small and/or sharp parts. Not suitable for children under 3 years of age.

In order to avoid possible injury from sharp edges, please carefully discard the metal sheet after parts have been removed. This product is not a toy. Keep out of reach of children.

Conforms to CPSIA and CE standards. The product complies with the requirements of EN 71-1,2,3; ASTM F963, REACH, AS/NZS 8124, GB 6675



Difficulty level

No expiration date

MODEL
BUILDING
KIT

@hobbadd.cn

霍布德



Collect the Best

Includes: steel sheets, gears, pliers, file, gloves, polishing cloth, user's guide, power switch x2, LED, electric motor, battery box x2.

ALL RIGHTS RESERVED
© Metal-Time Inc., USA

www.metal-time.com
info@metal-time.com