

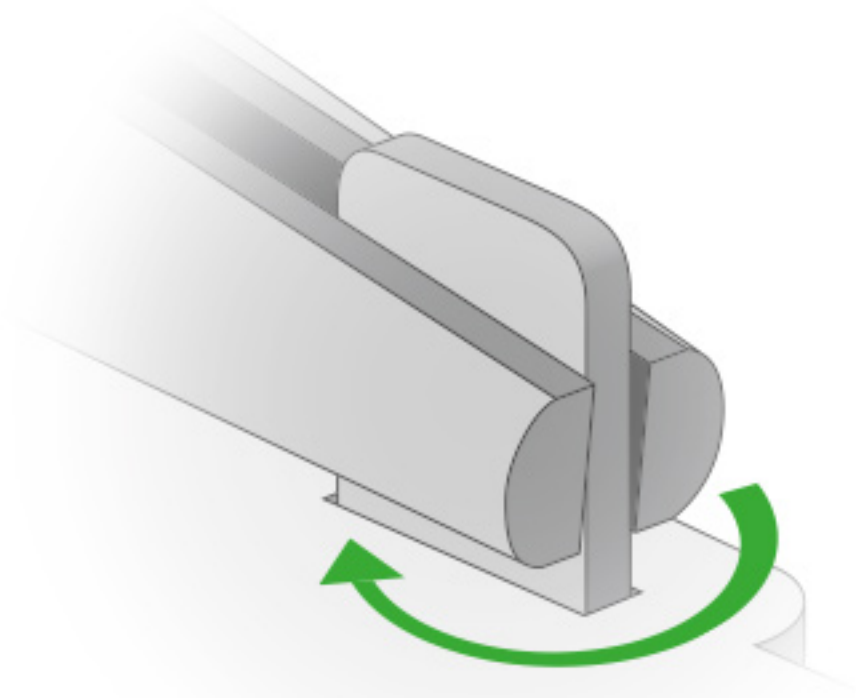
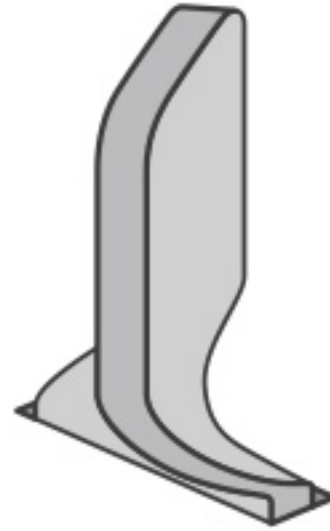
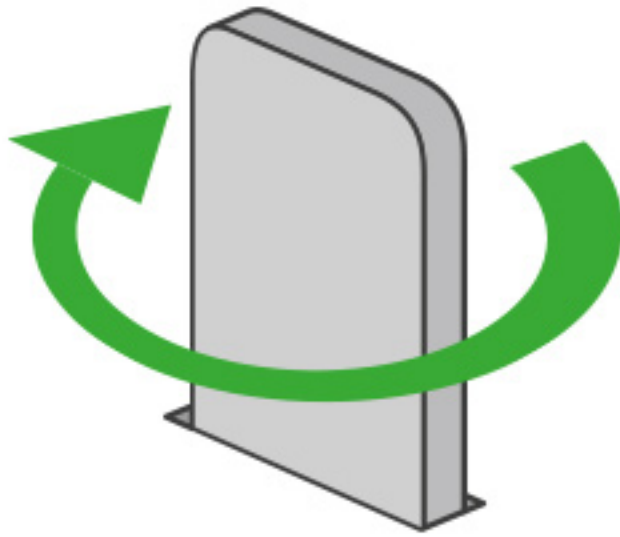


**CELESTIAL
HERCULES**



STANDARD FIXING OF FASTENERS AND SYMBOLS

When assembling the model, don't rush, avoid pointing details at yours or anyone else's face. If one of the parts has a sharp edge, please file it down. Use pliers and additional tools to assemble the model. Each kit contains a cloth for wiping and polishing the model once it's assembled.

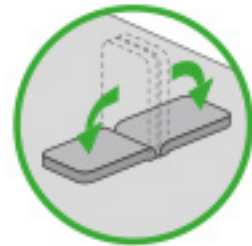


If there are no additional designations, use the standard fixing method

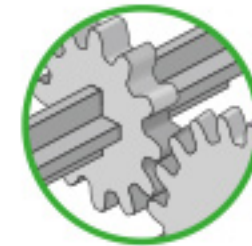
Use pliers to bend the fasteners



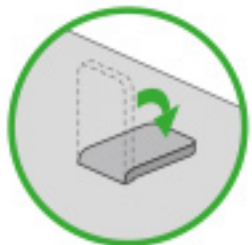
Twist the eyelet 45°



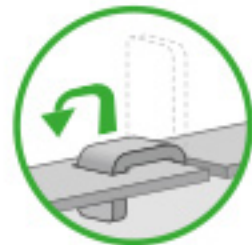
Bend the ears 90°



The parts of the mechanism should rotate (move) easily



Bend the eyelet 90°



Bend the tip of the ear by 90°, then bend the whole ear by 90°



Assemble/bend parts symmetrically

WARNING! Product contains small parts and sharp parts. Not suitable for children under 3 years of age. Please read these instructions carefully before assembly and use.

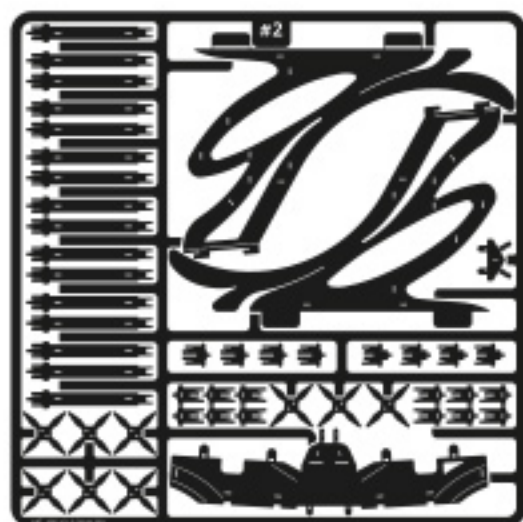
WARNING! Cut/remove the band that keeps the spring in place **ONLY WITHIN** the spring chamber/container. **DO NOT** cut the restraining band outside the assembled spring chamber, as the spring will unwind with force



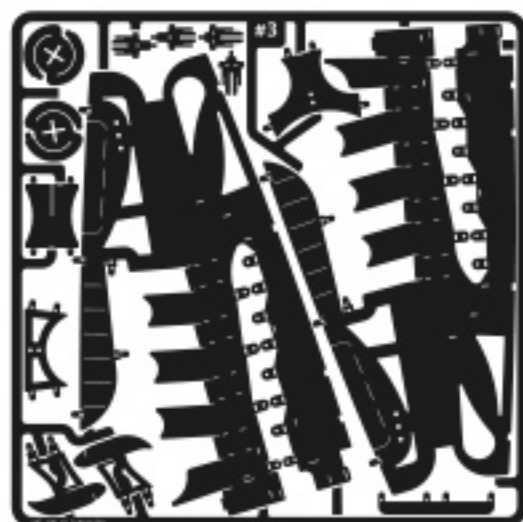
MODEL PARTS AND ASSEMBLY TOOLS



#1



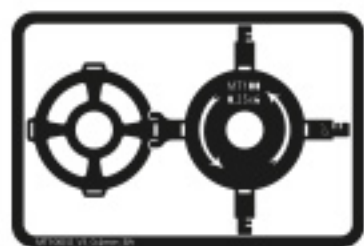
#2



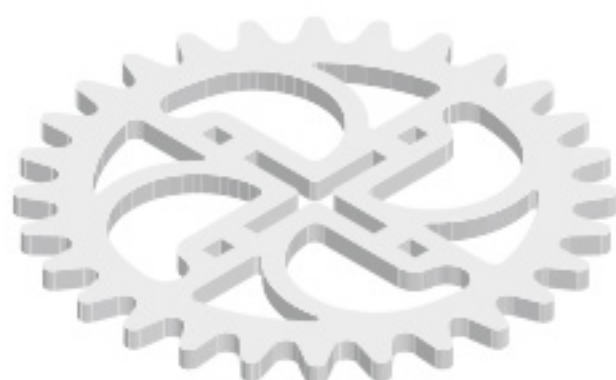
#3



#4



#5



G1



G2



G3



G4



G5



G6

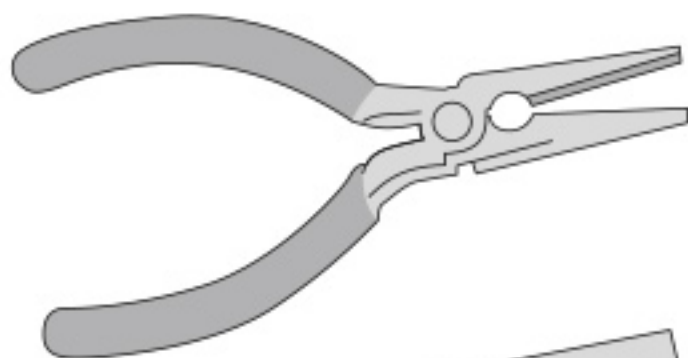


G7

x8



G8



x3

G9



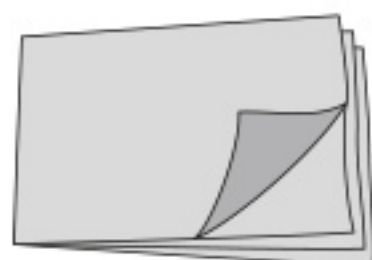
x3

G10

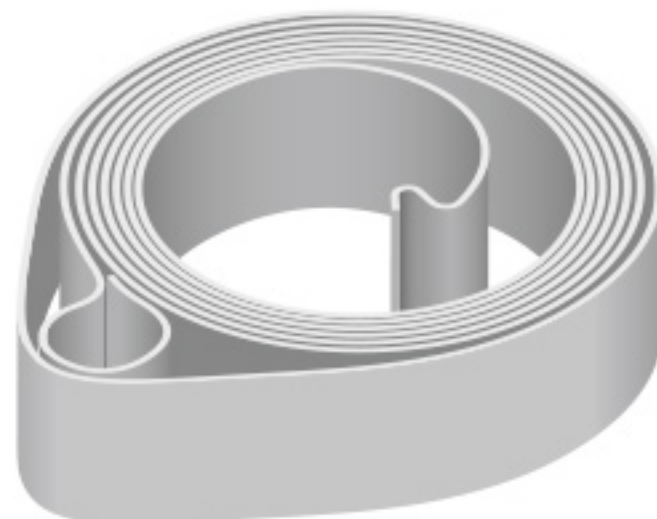


x6

G11



Tools



Spring



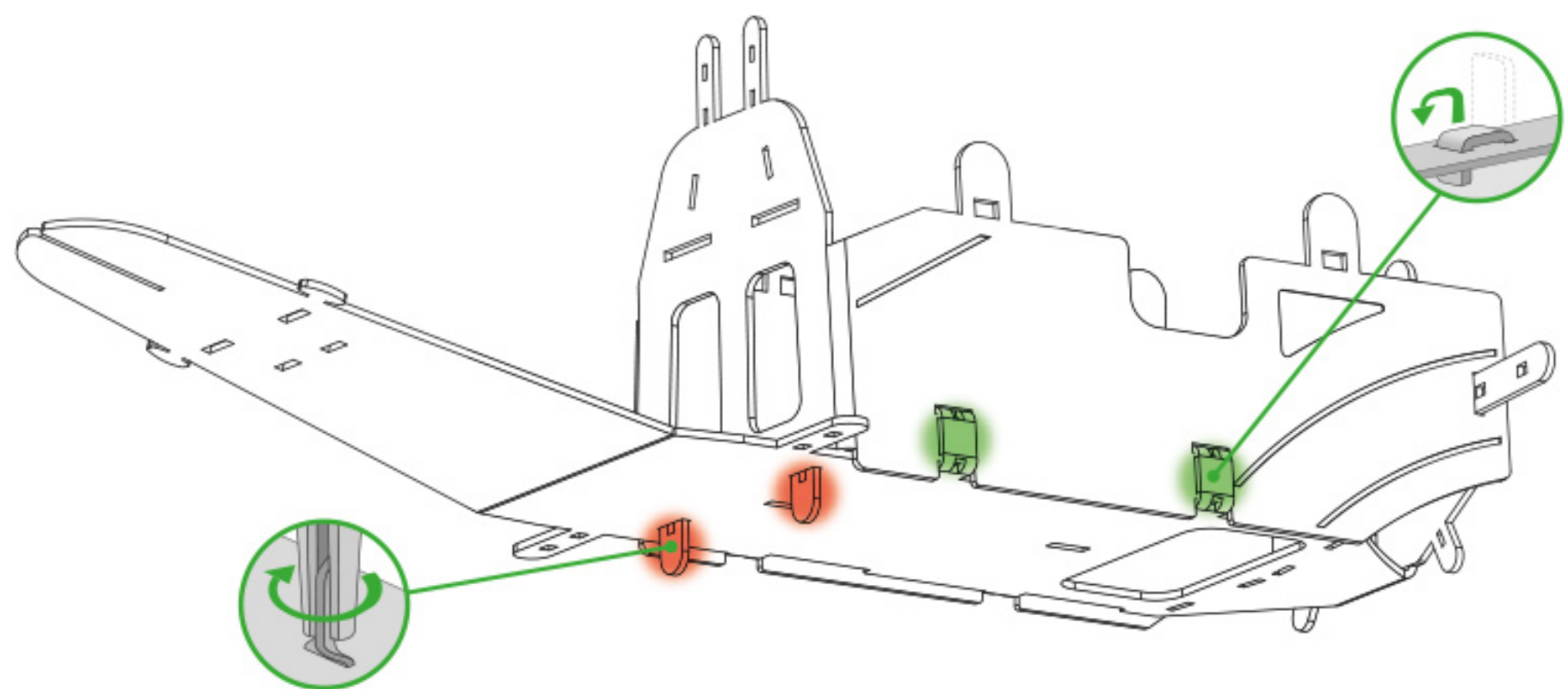
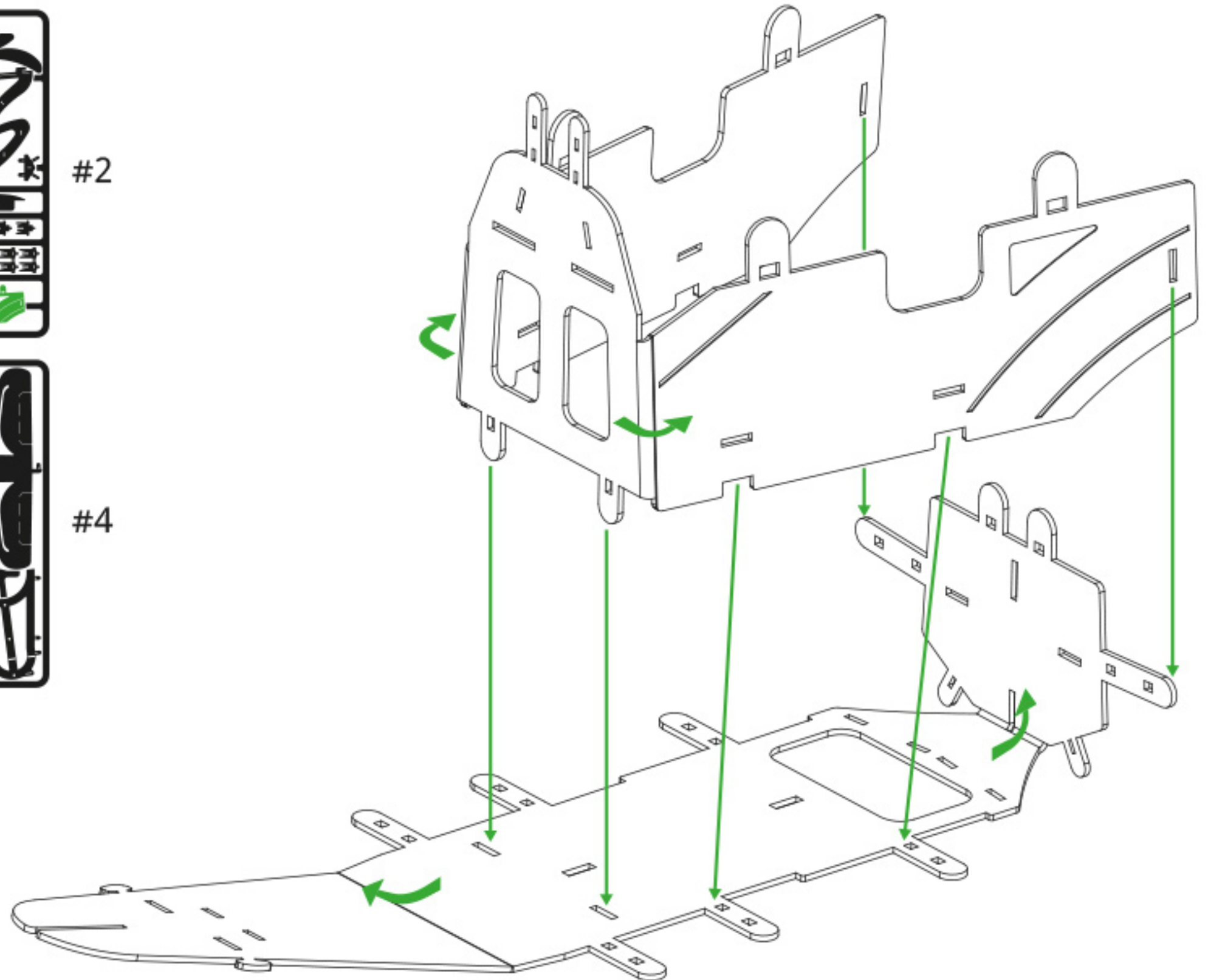
D1



#2

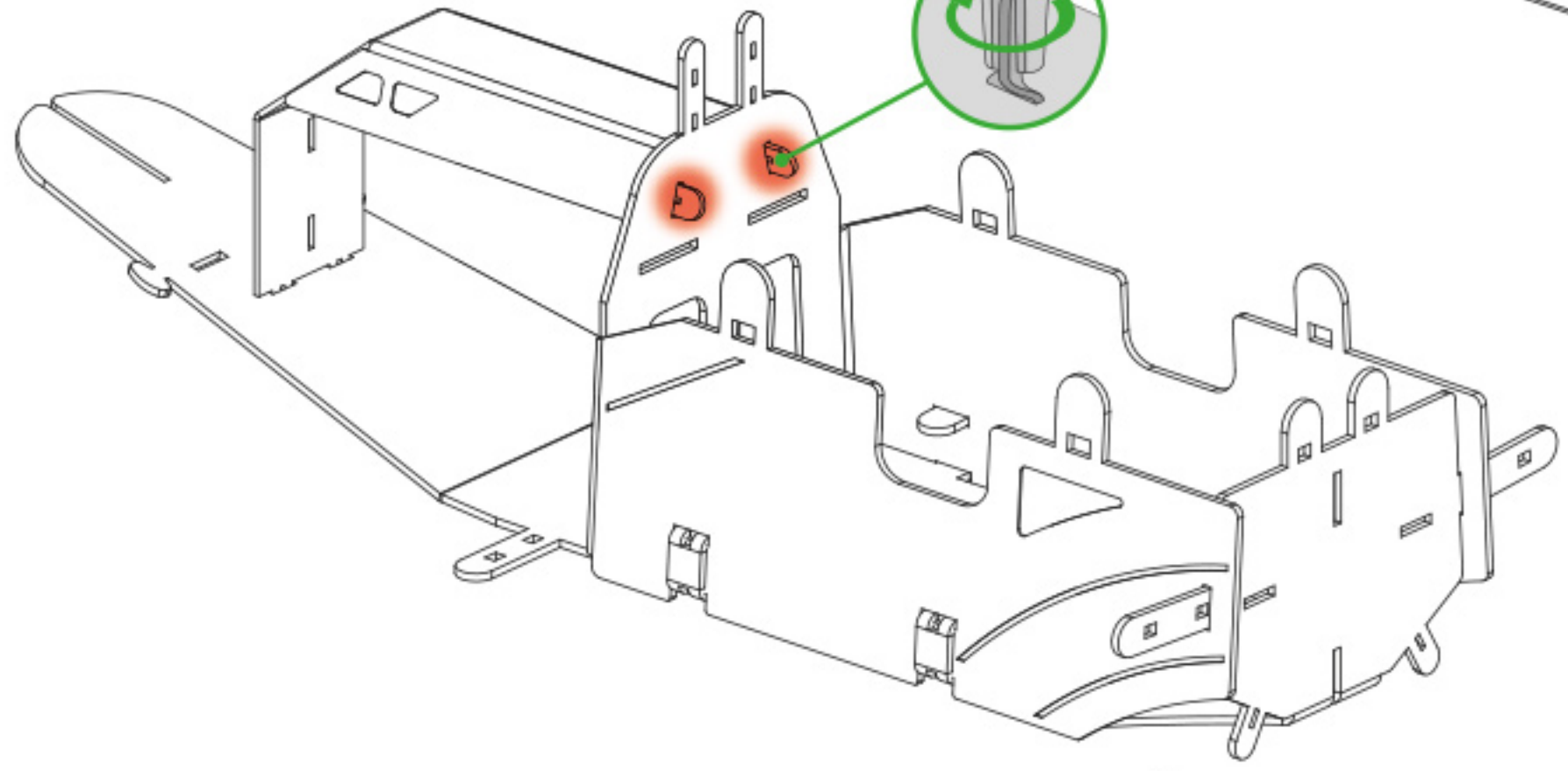
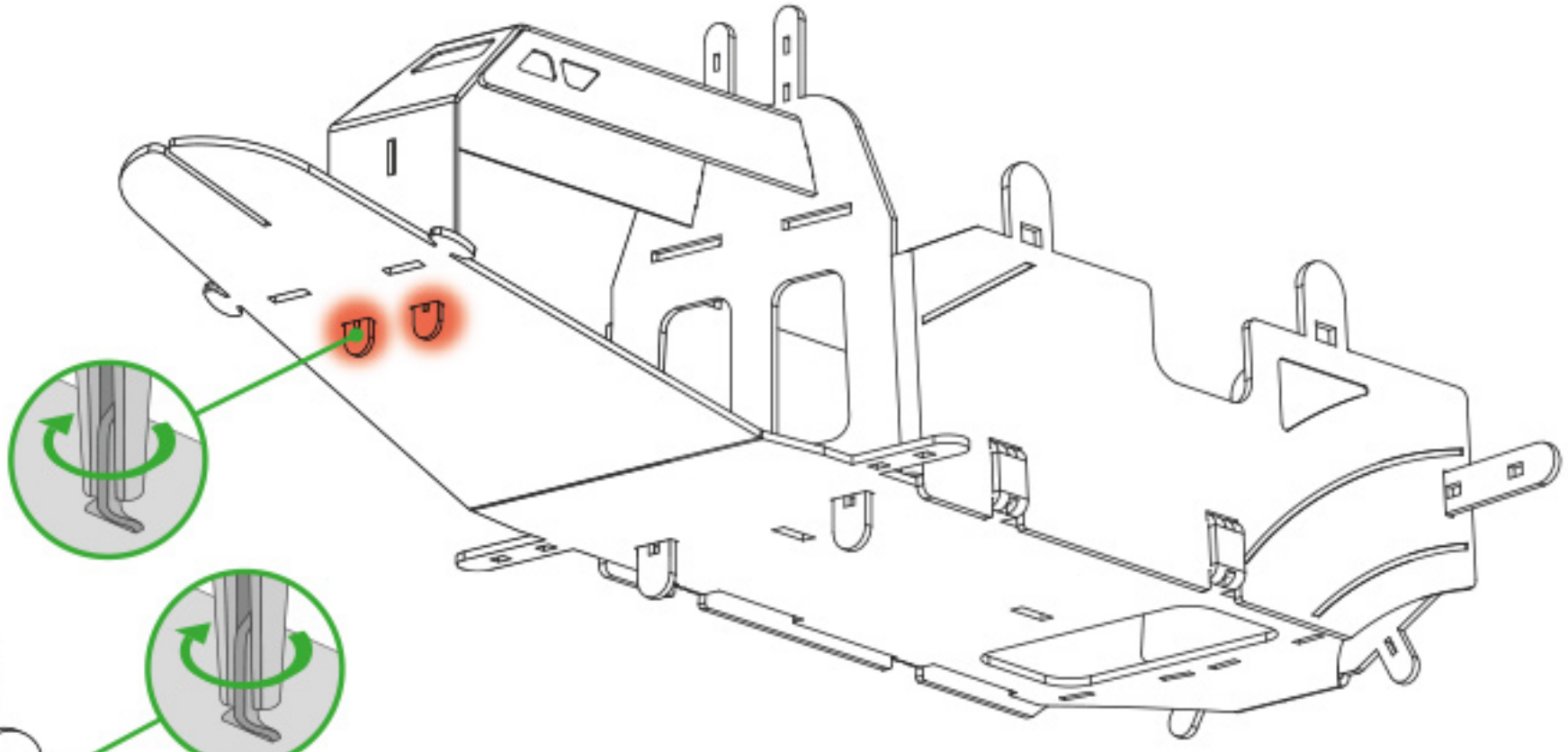
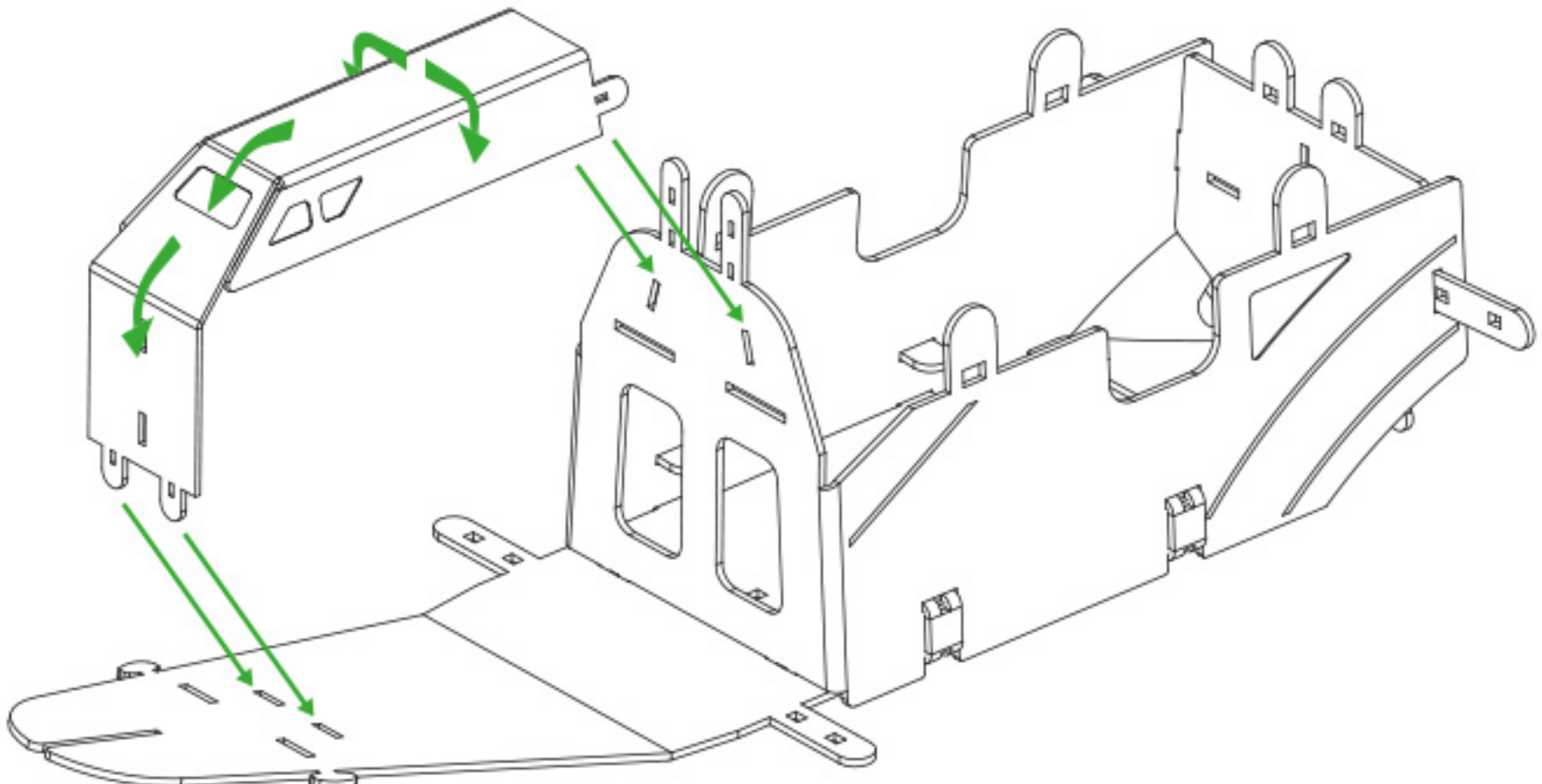


#4





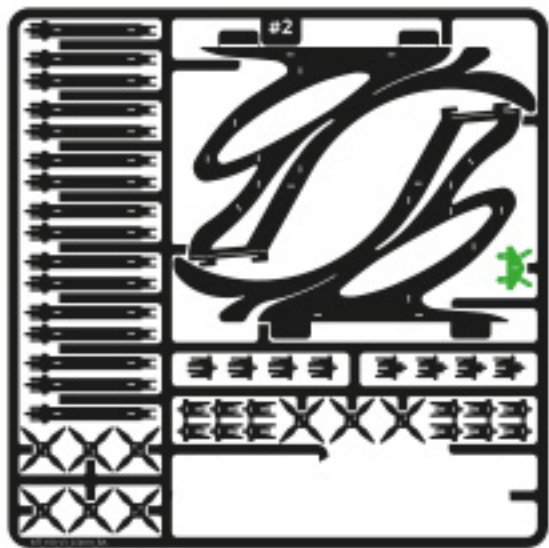
#1



5

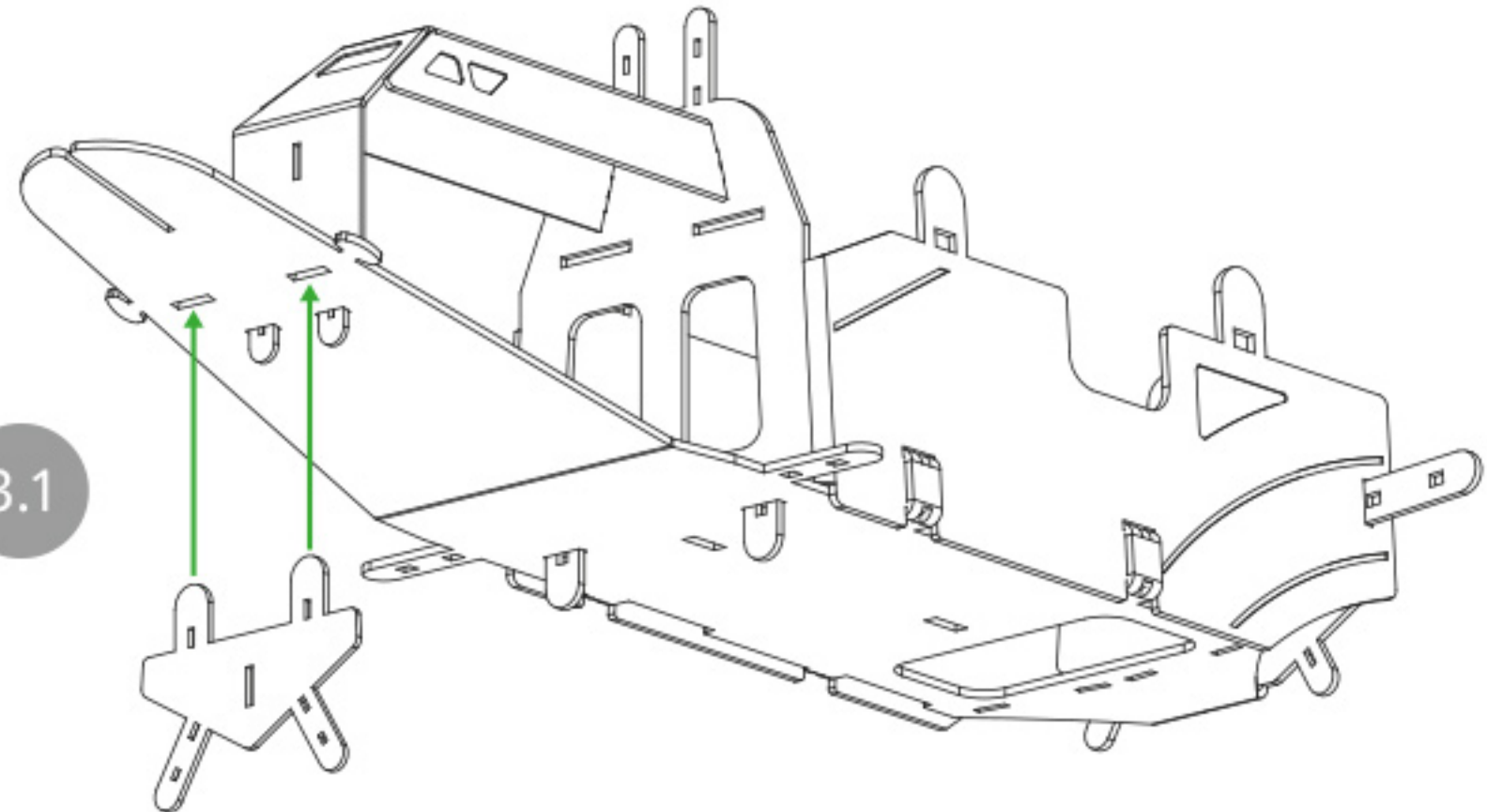


#1

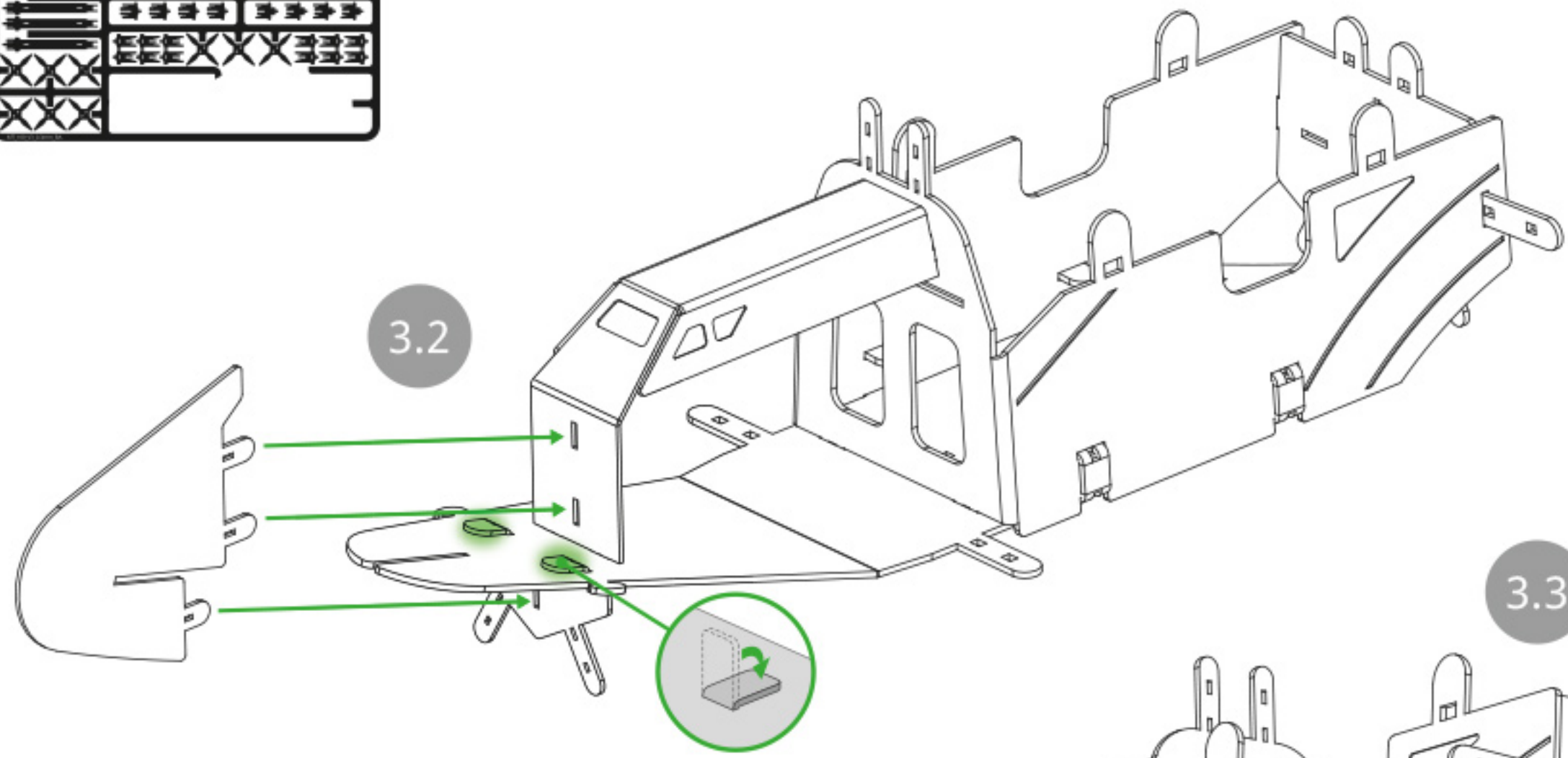


#2

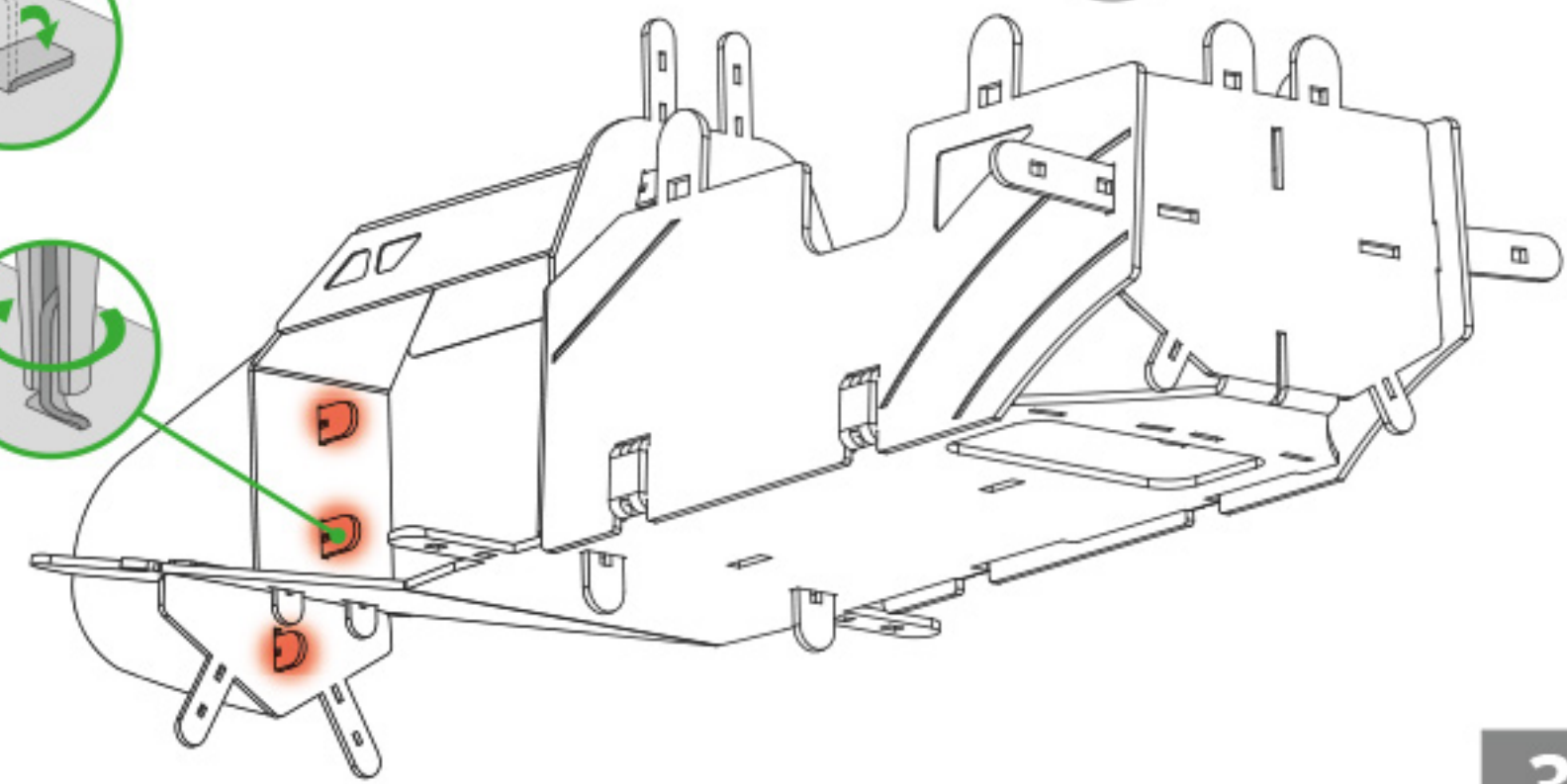
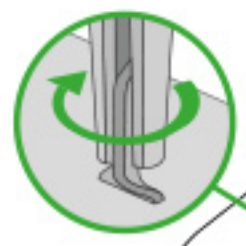
3.1



3.2

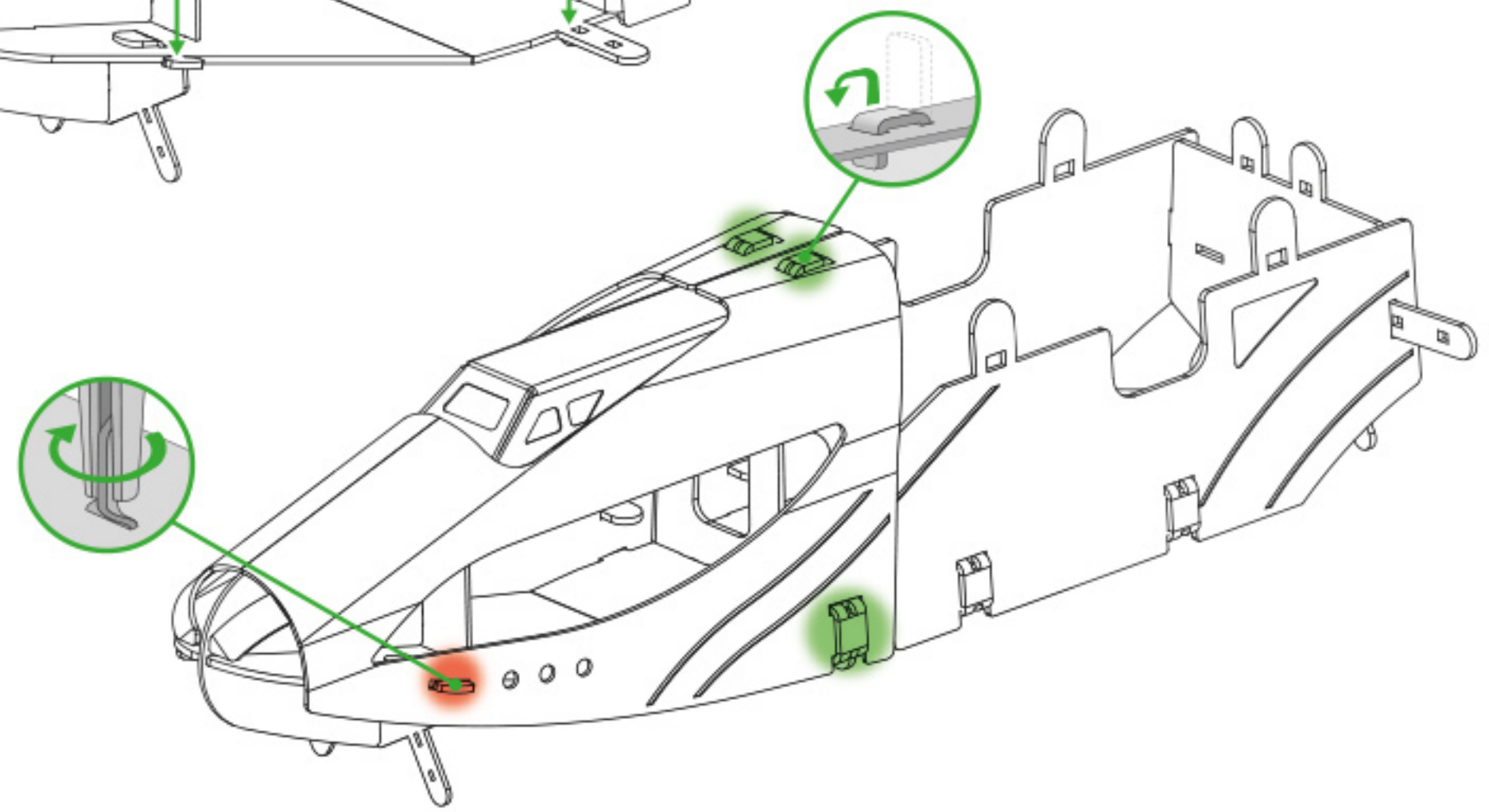
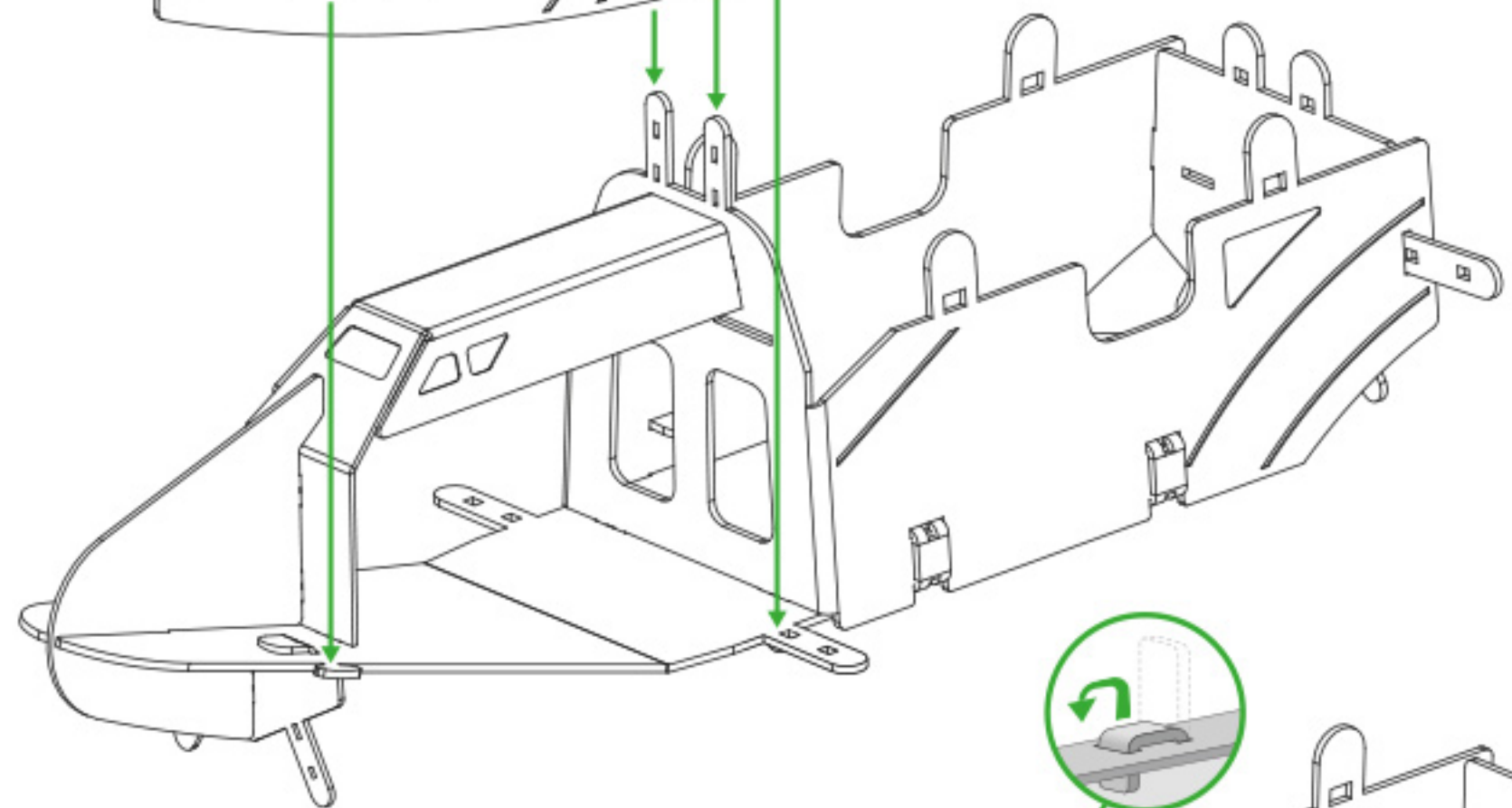
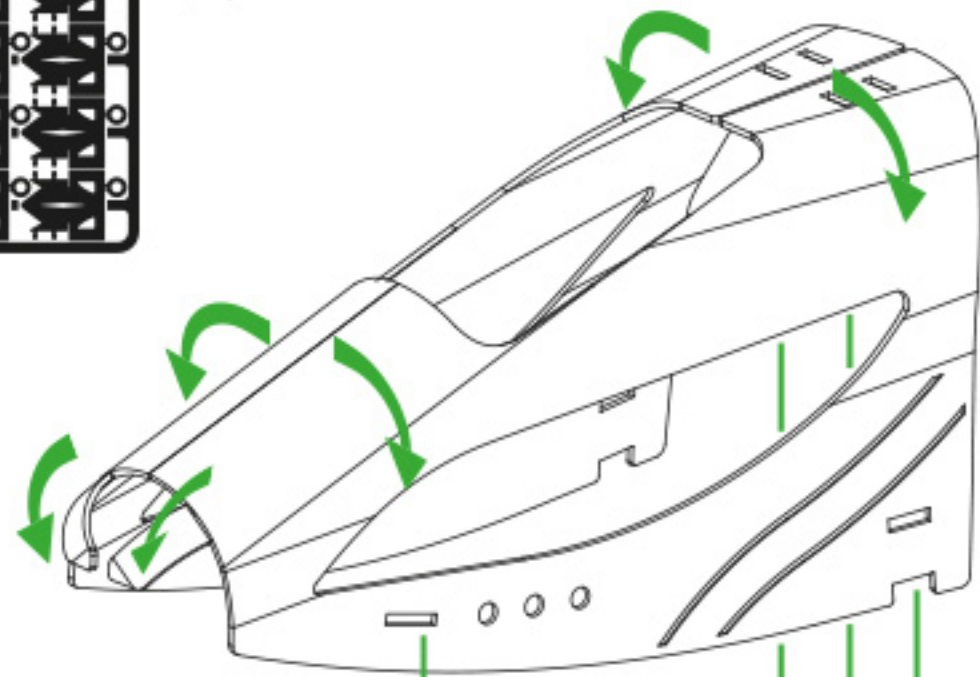
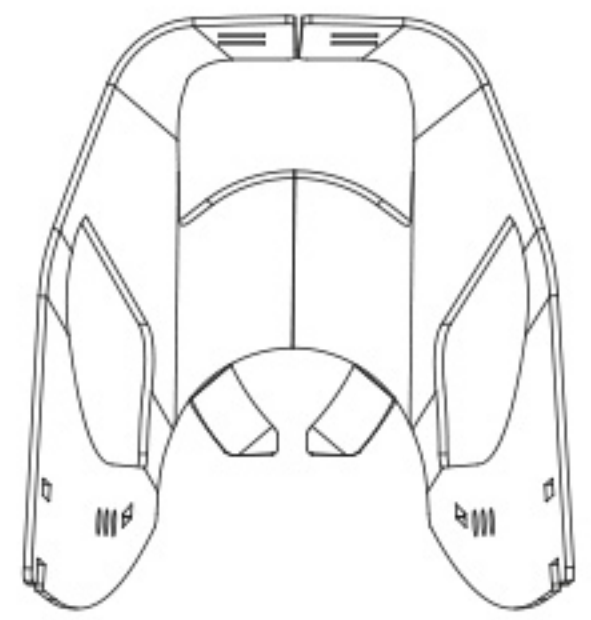


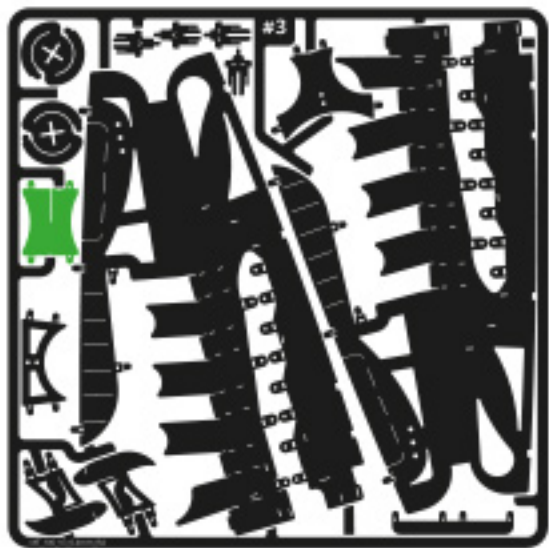
3.3





#1

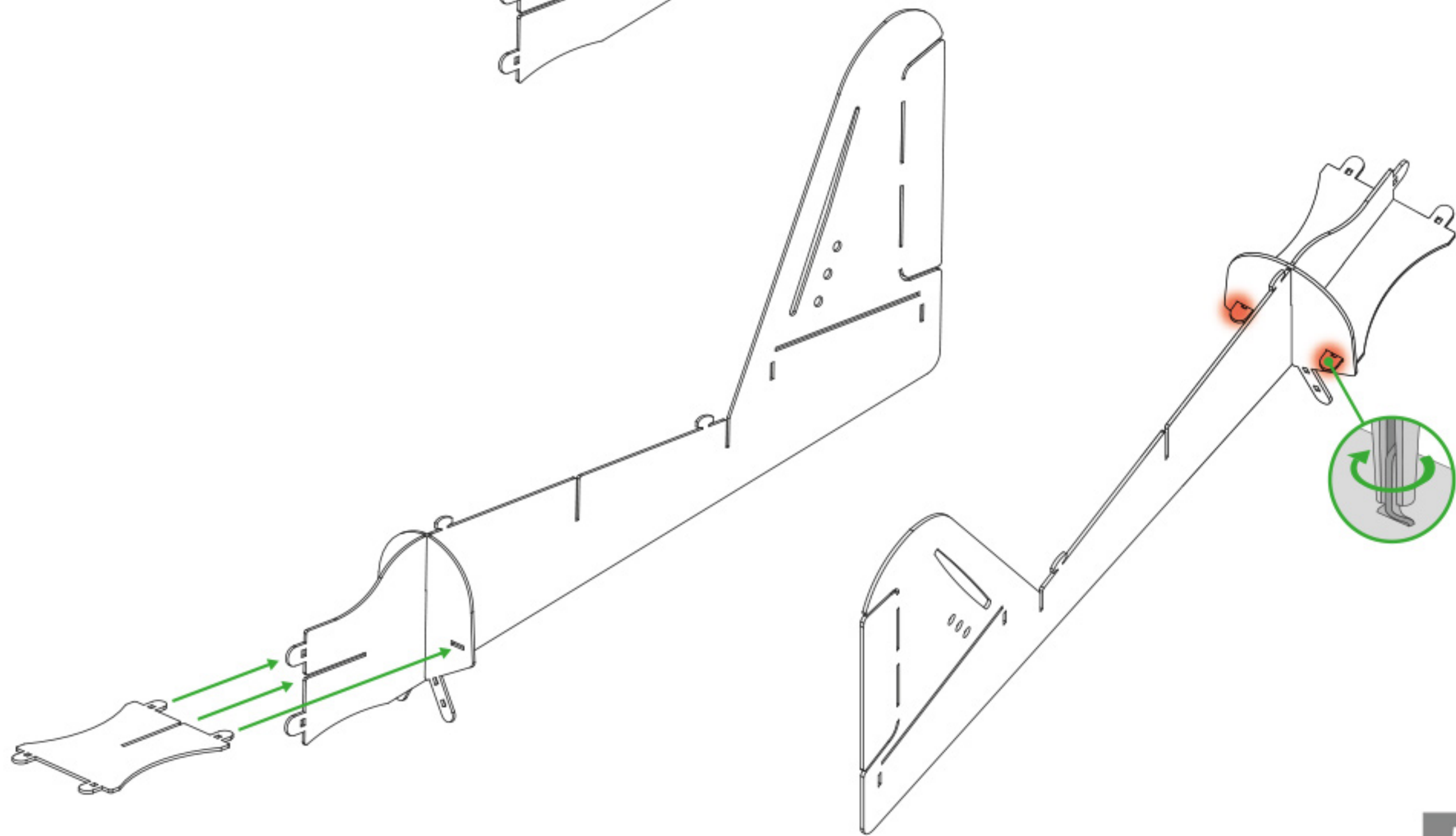
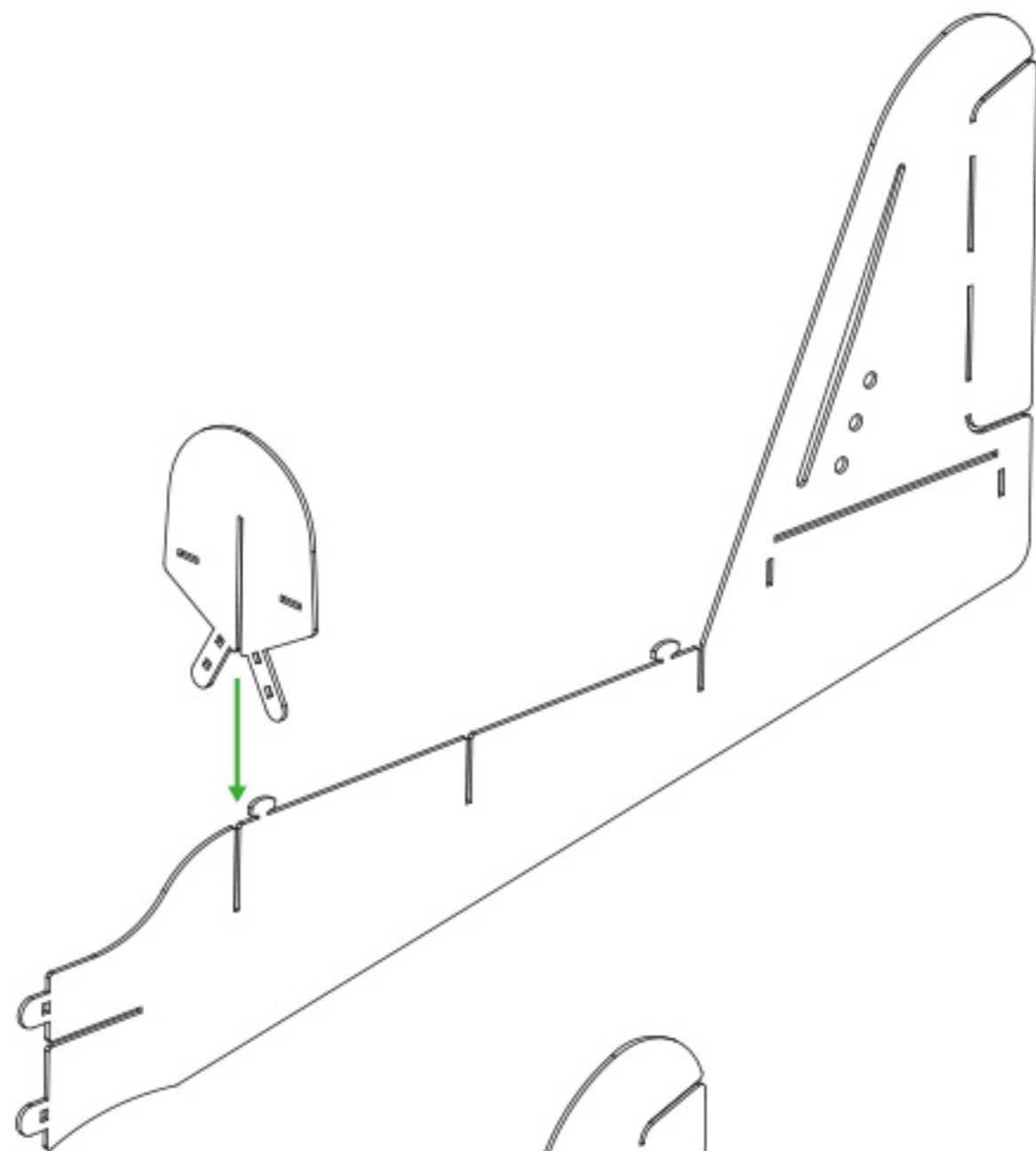


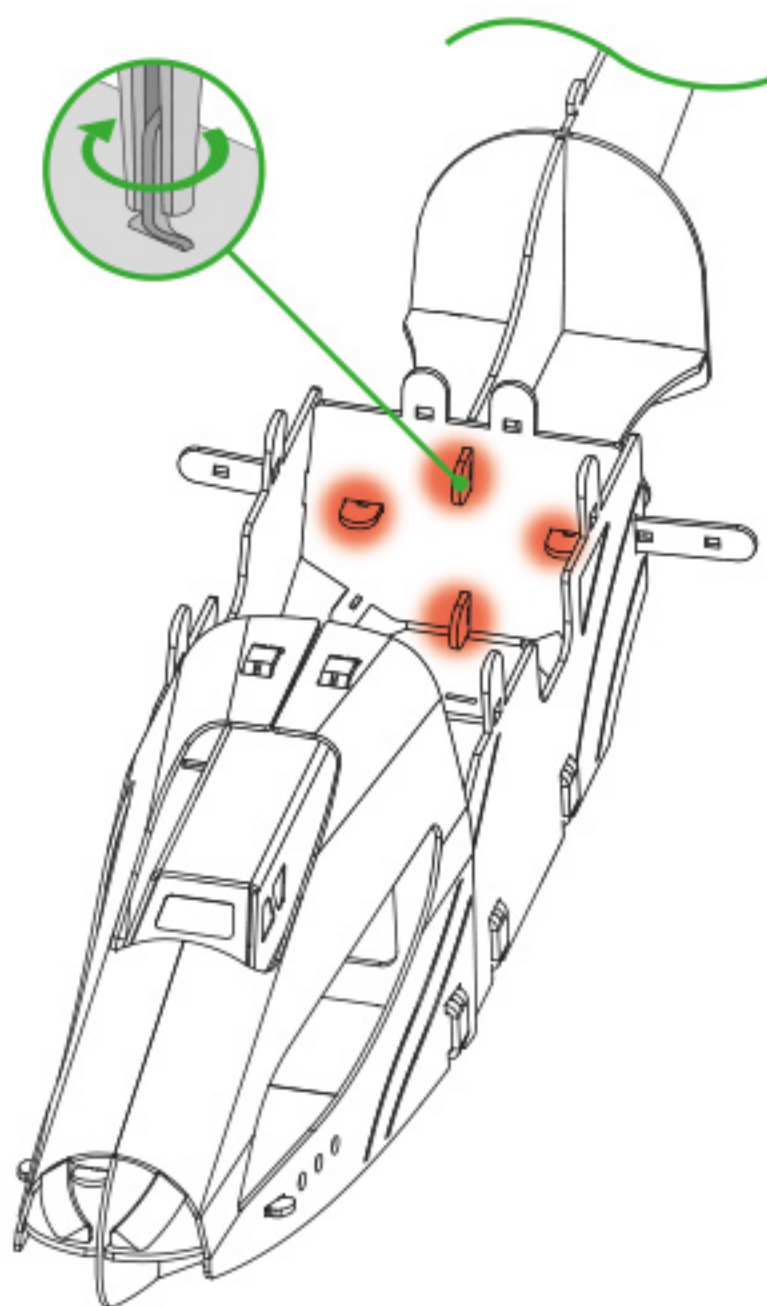
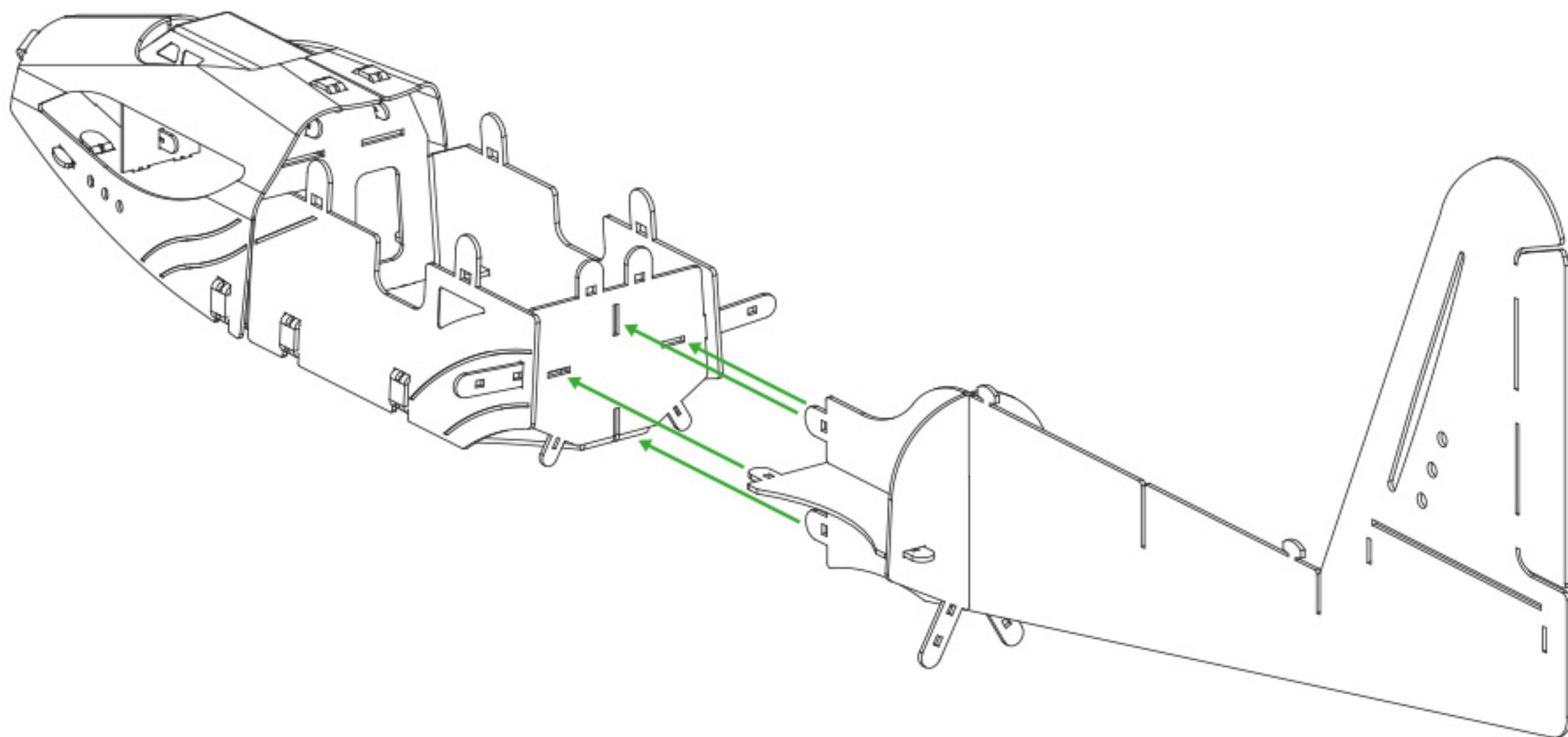


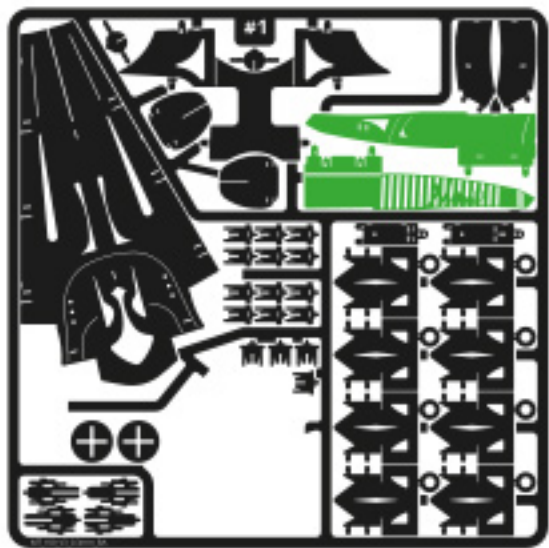
#3



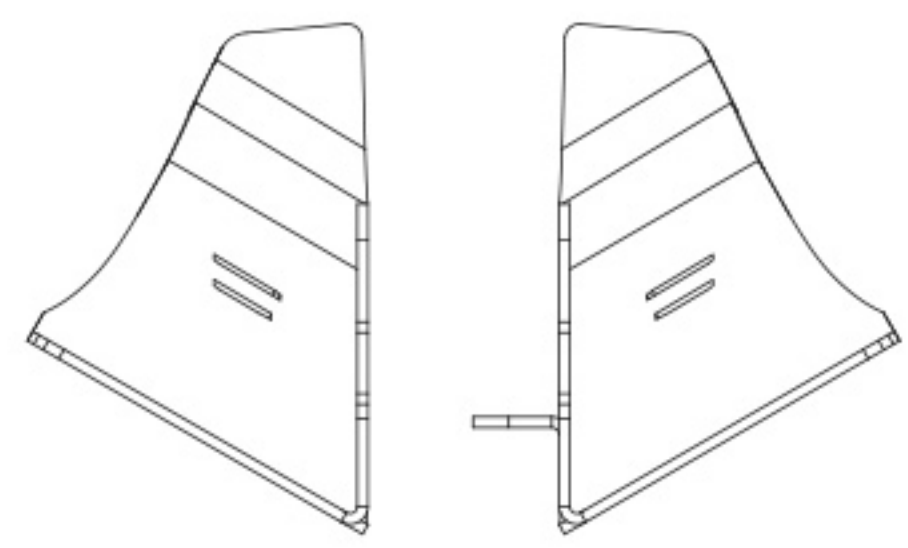
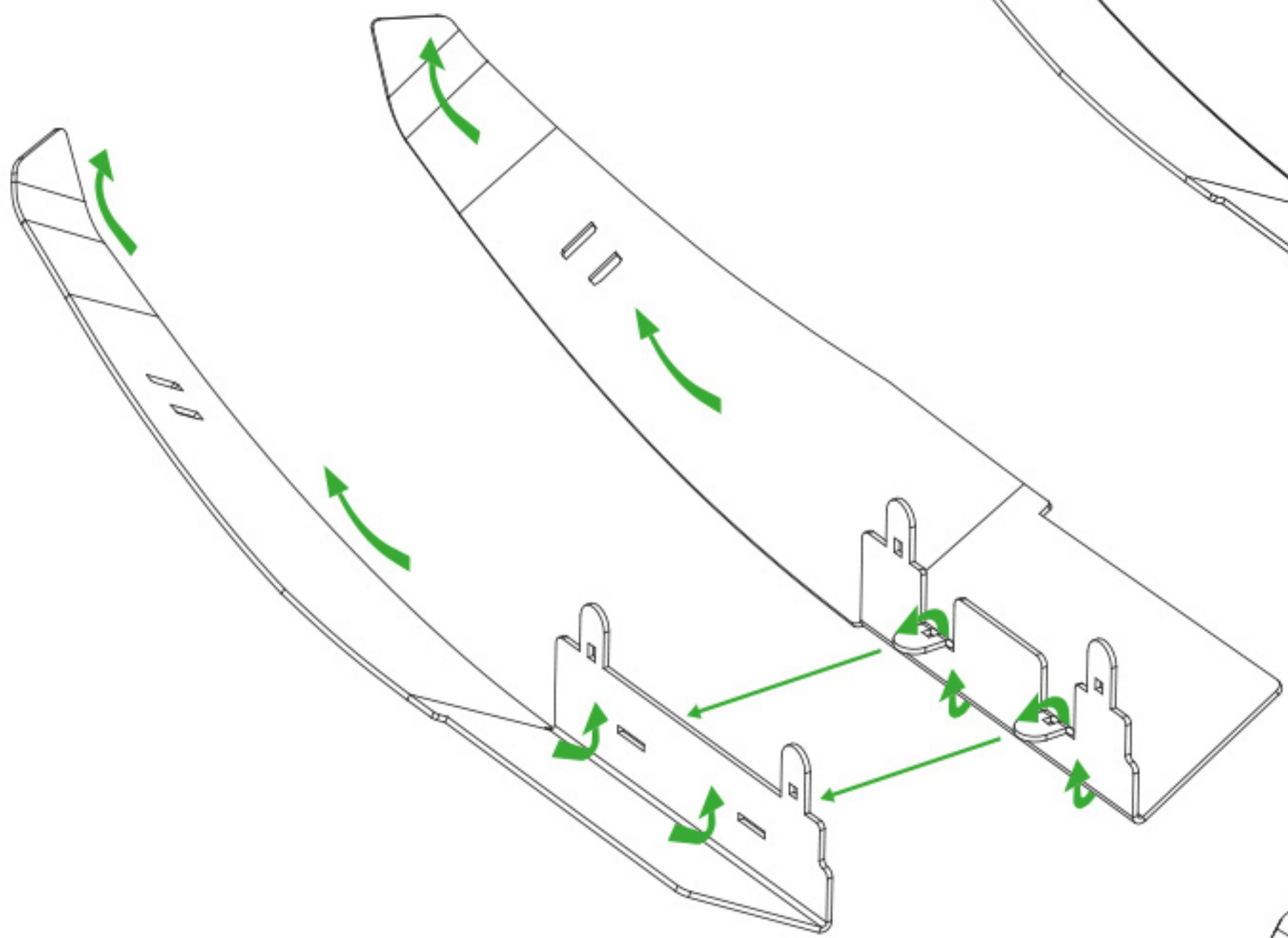
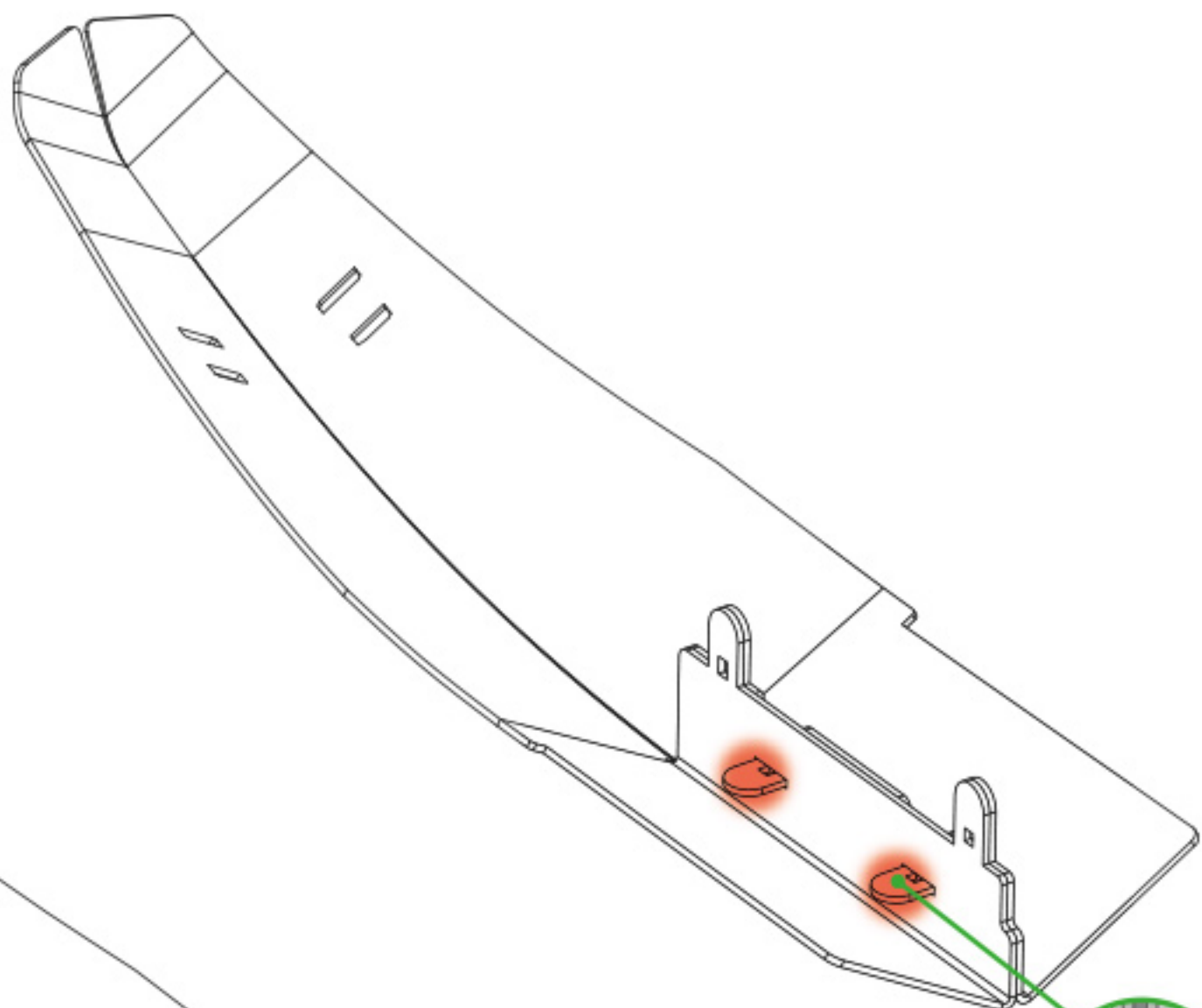
#4

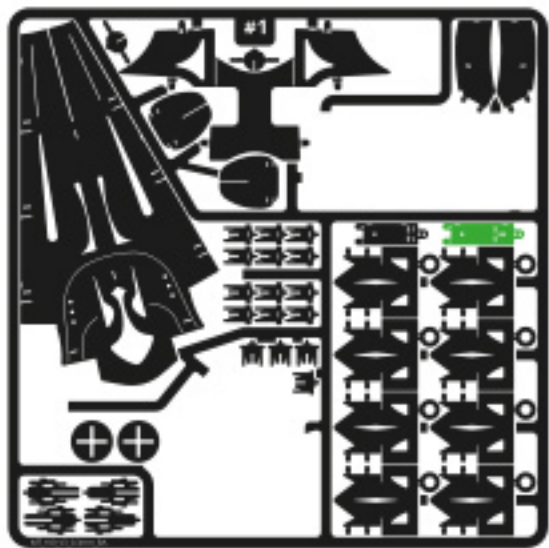




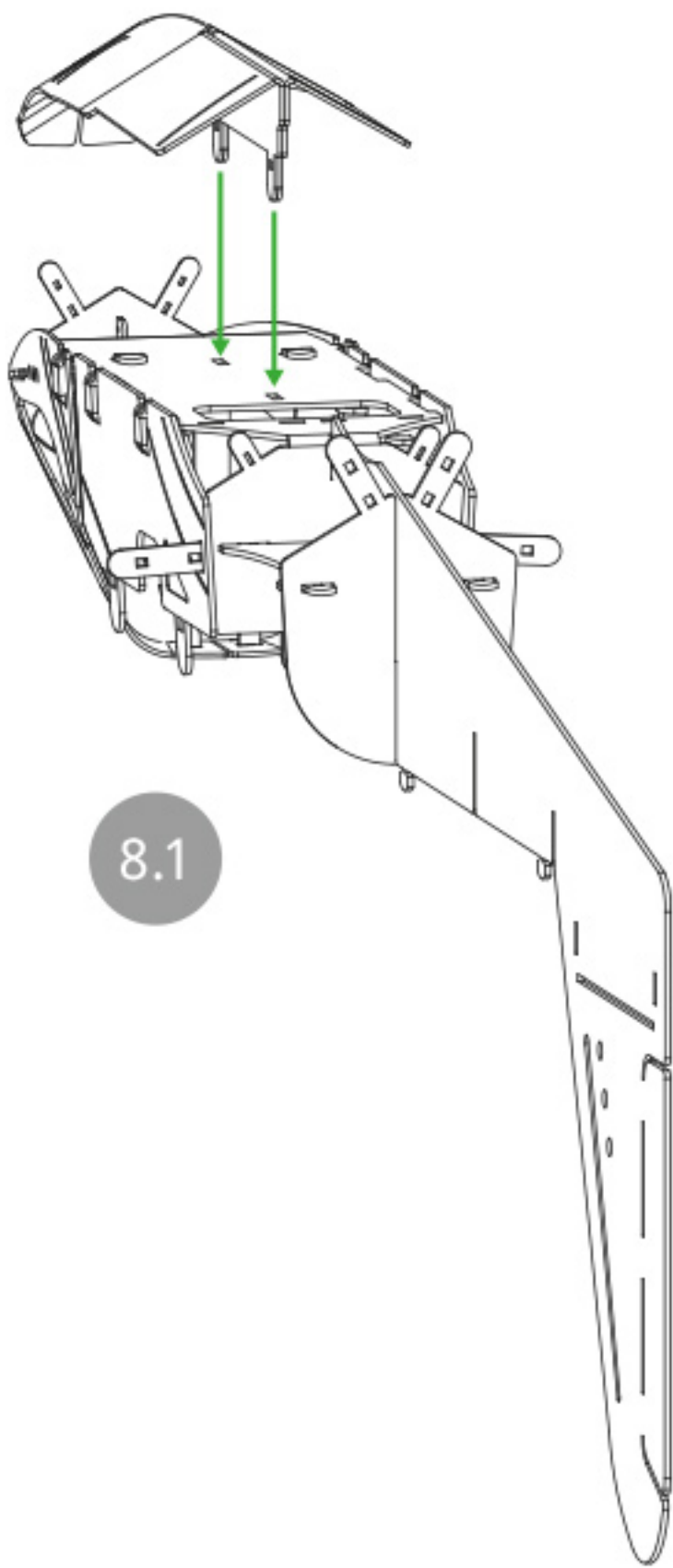


#1

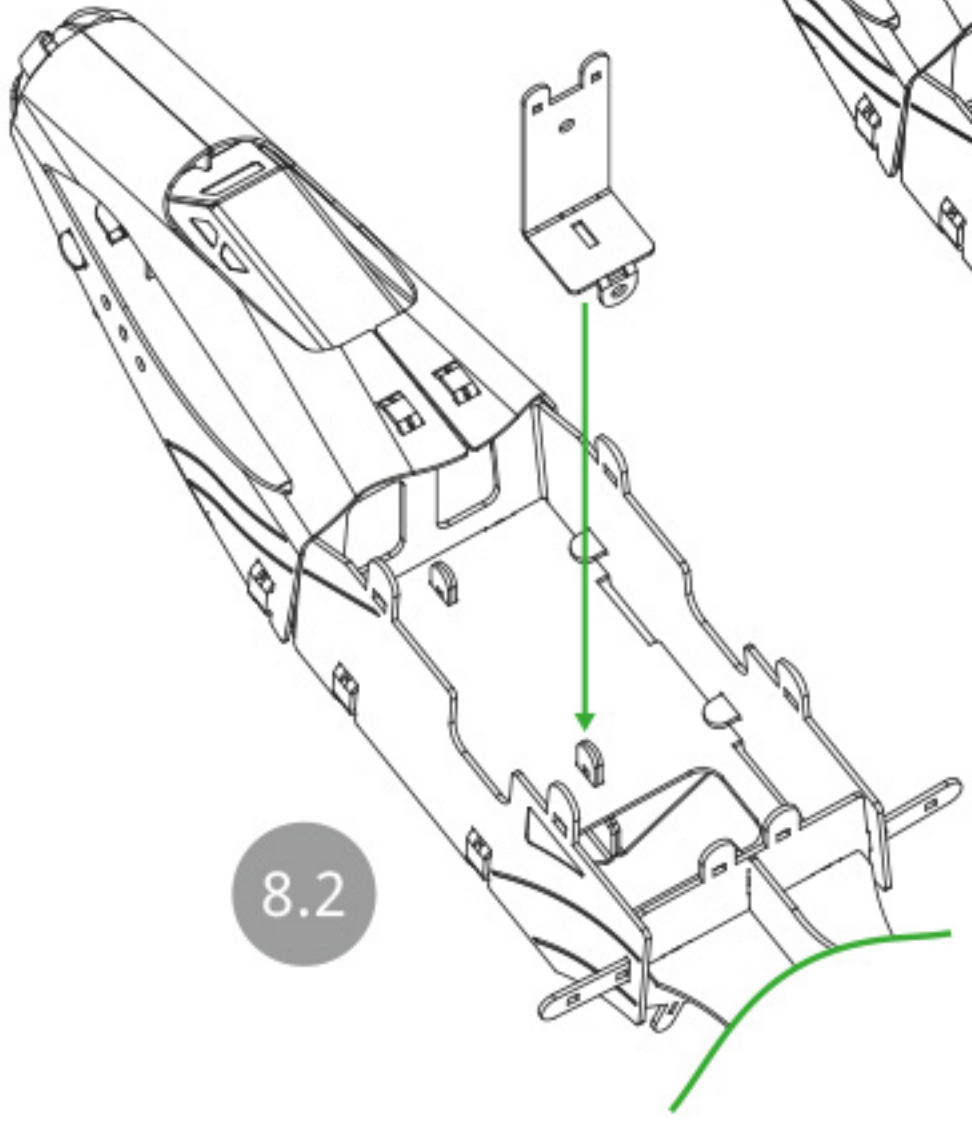




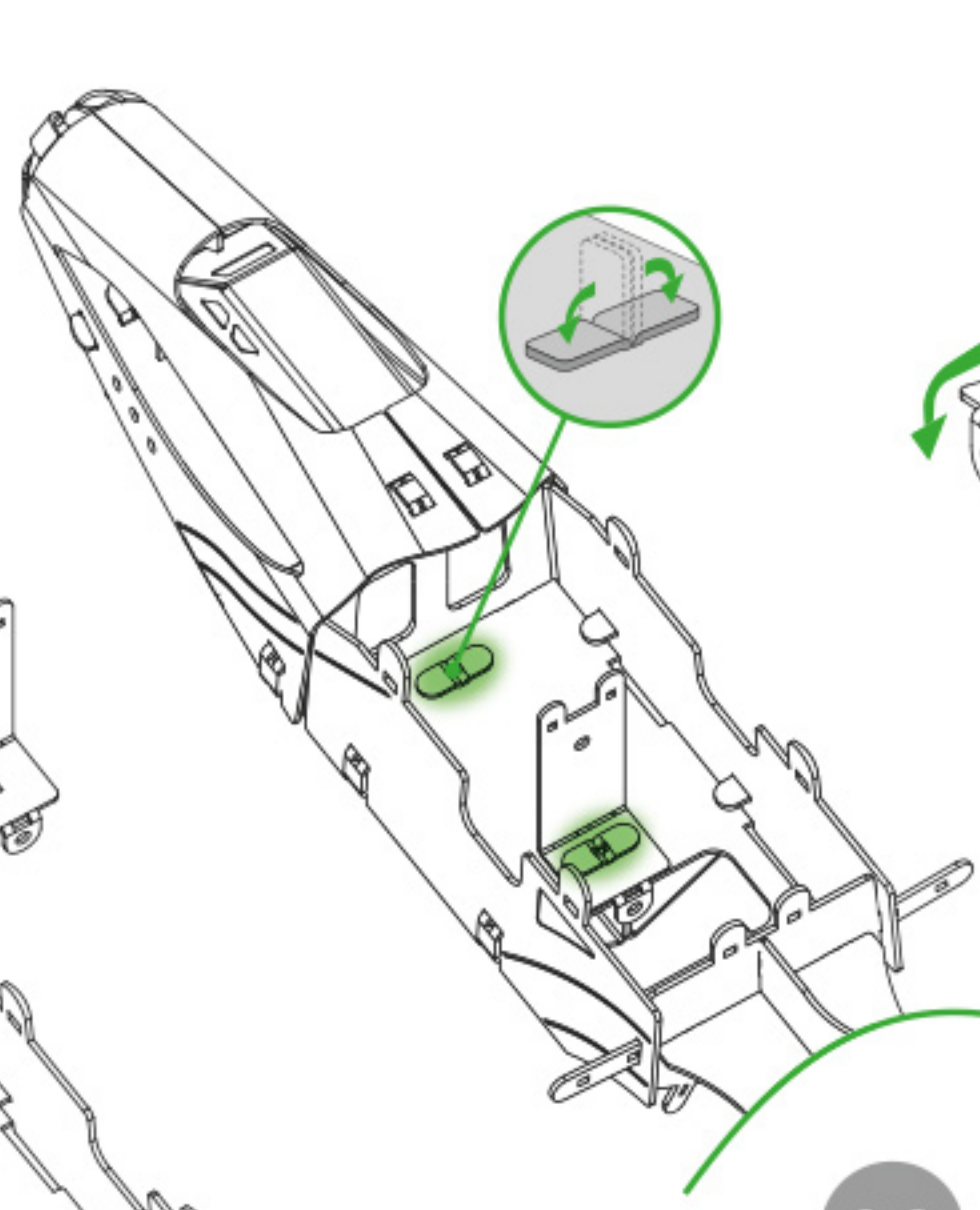
#1



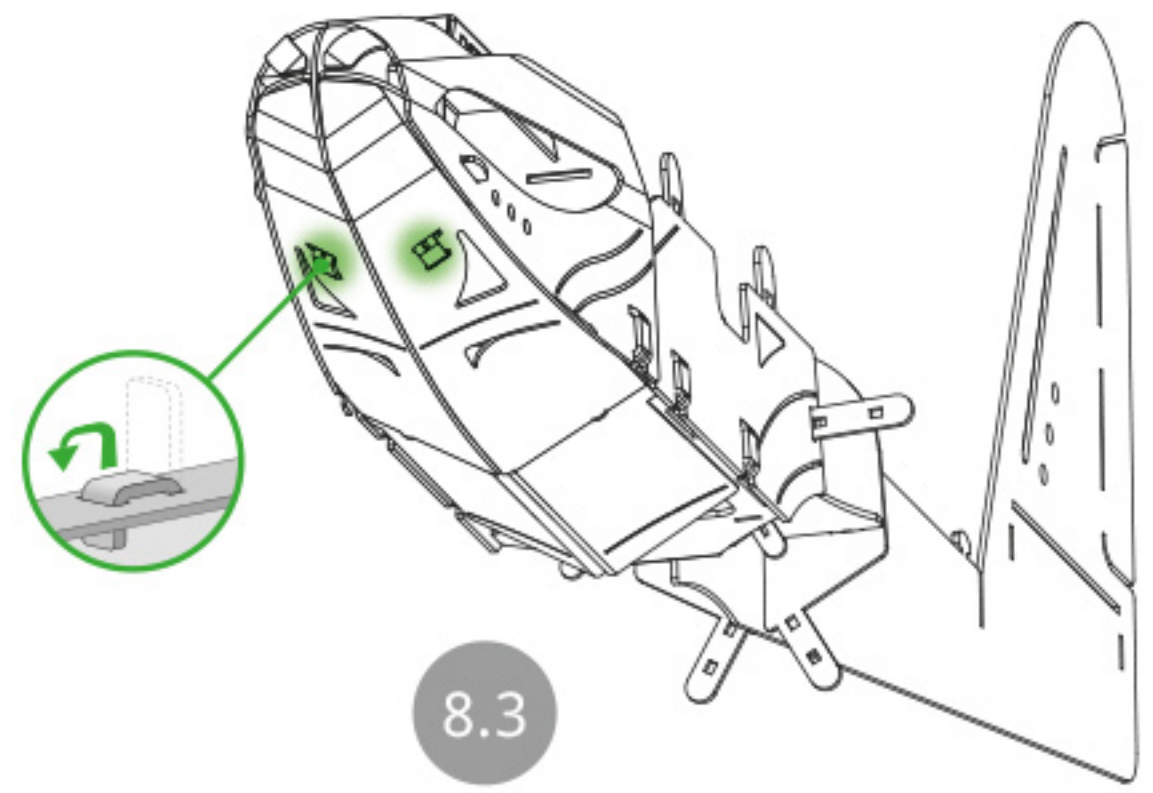
8.1



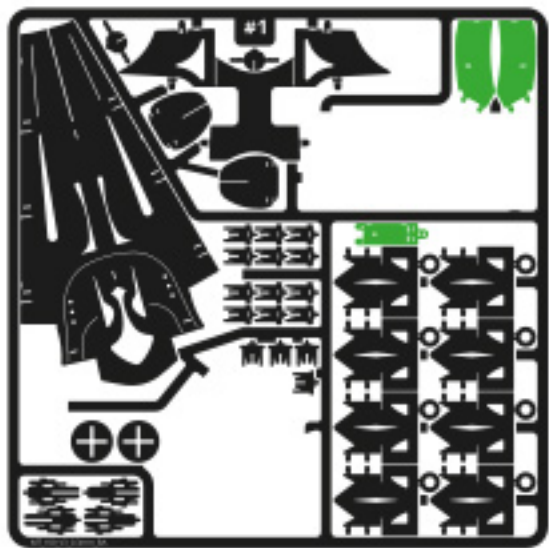
8.2



8.3



8.3



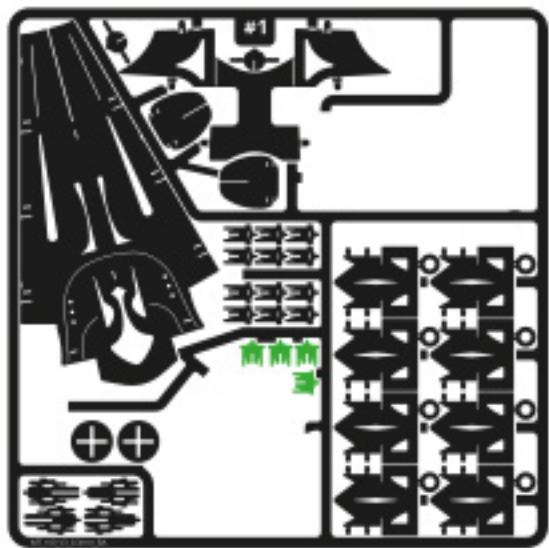
#1

9.1

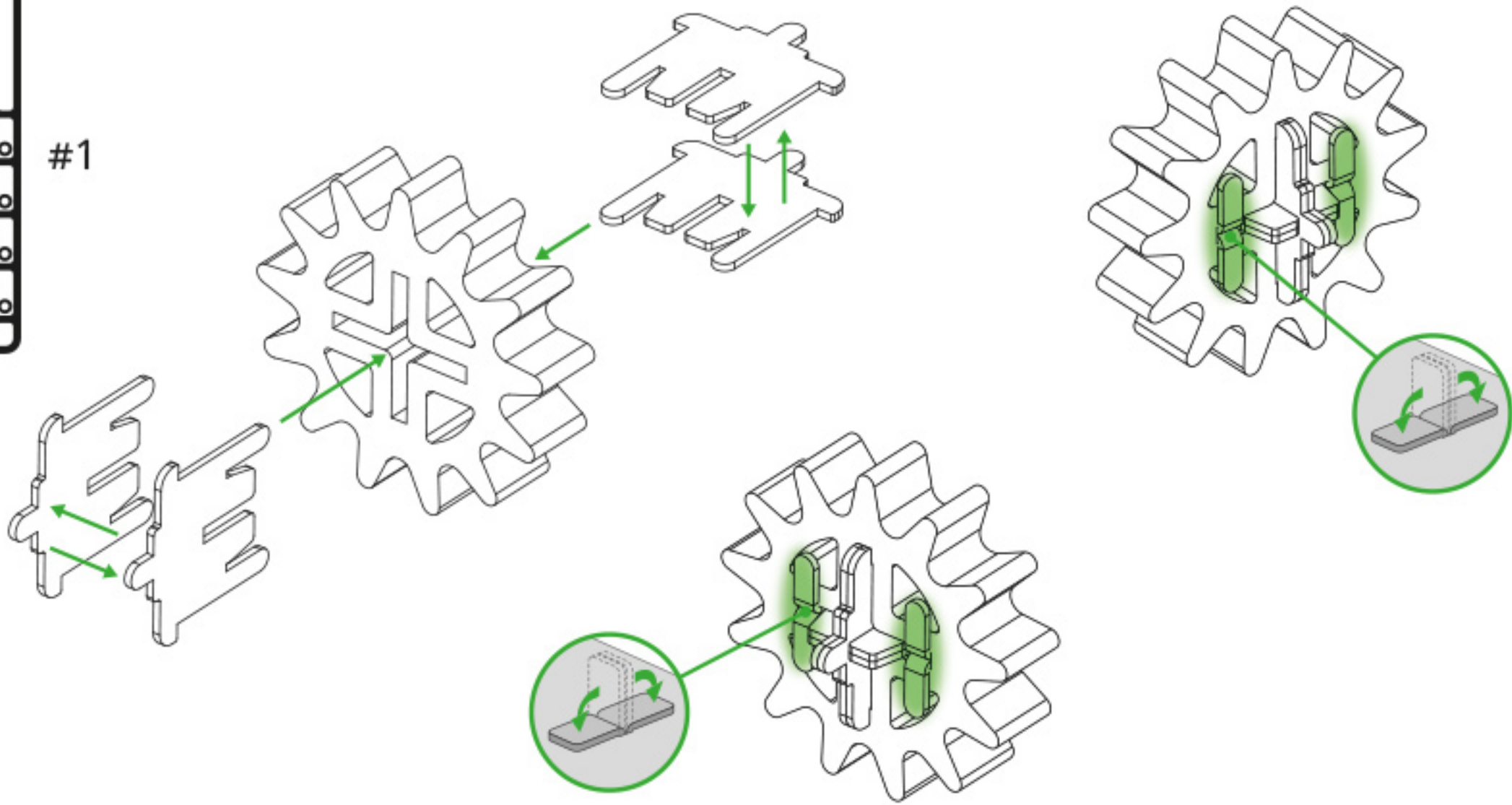
9.2

9.3

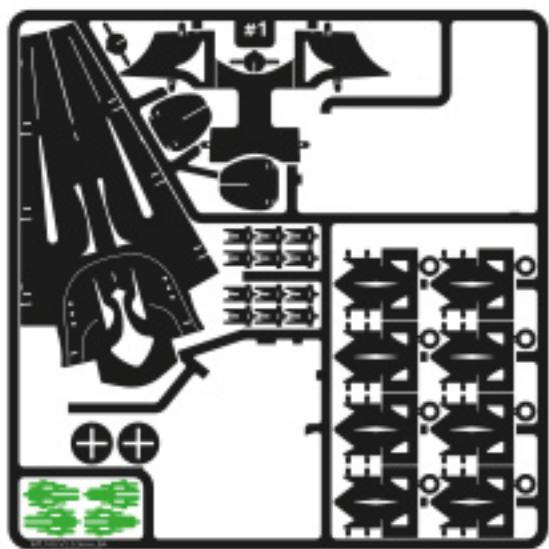
9.4



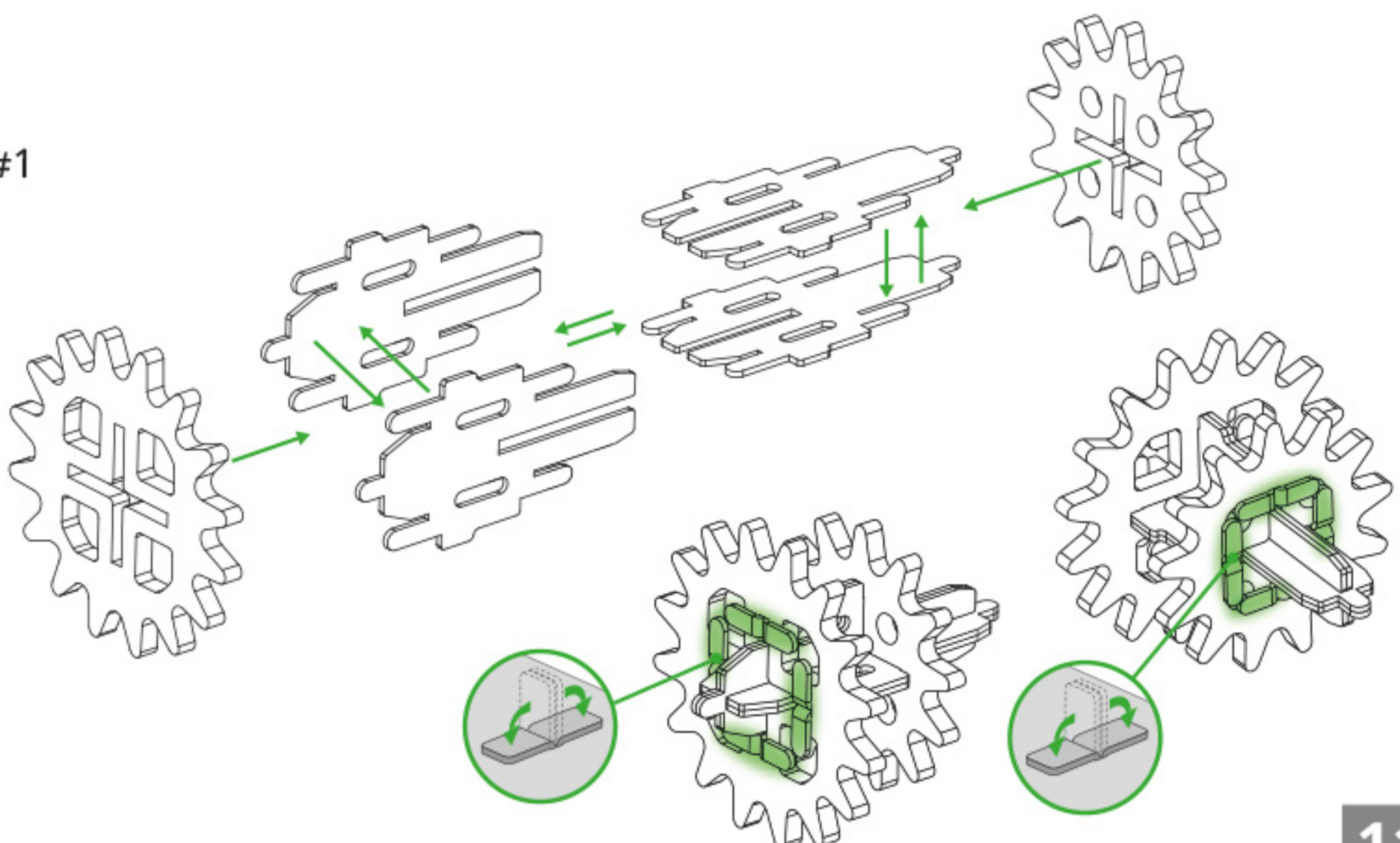
#1



10



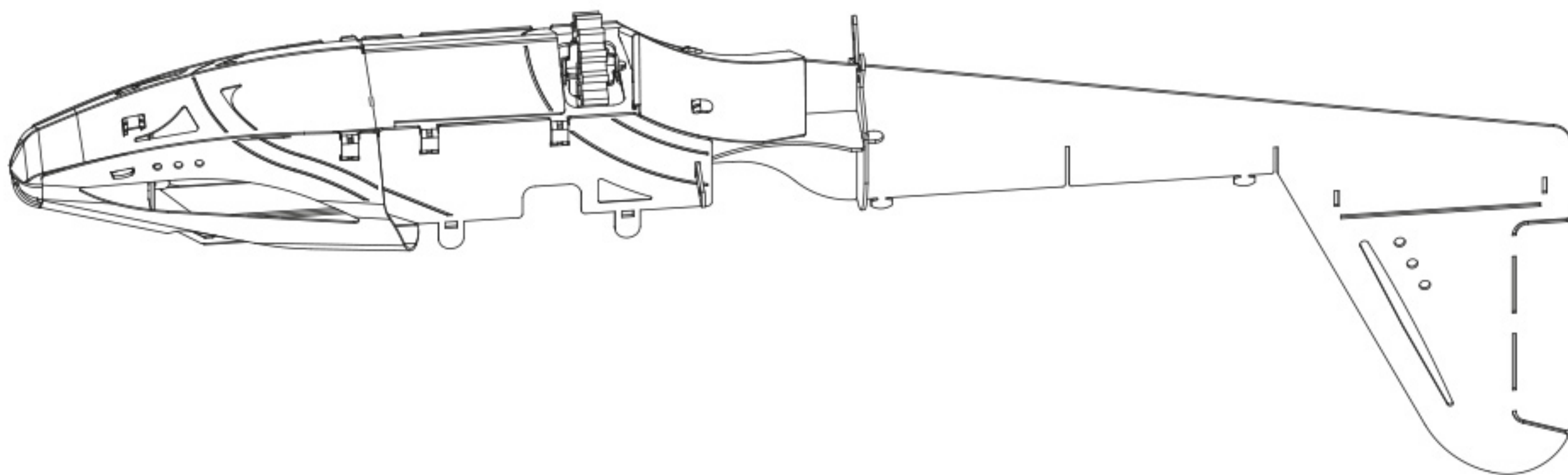
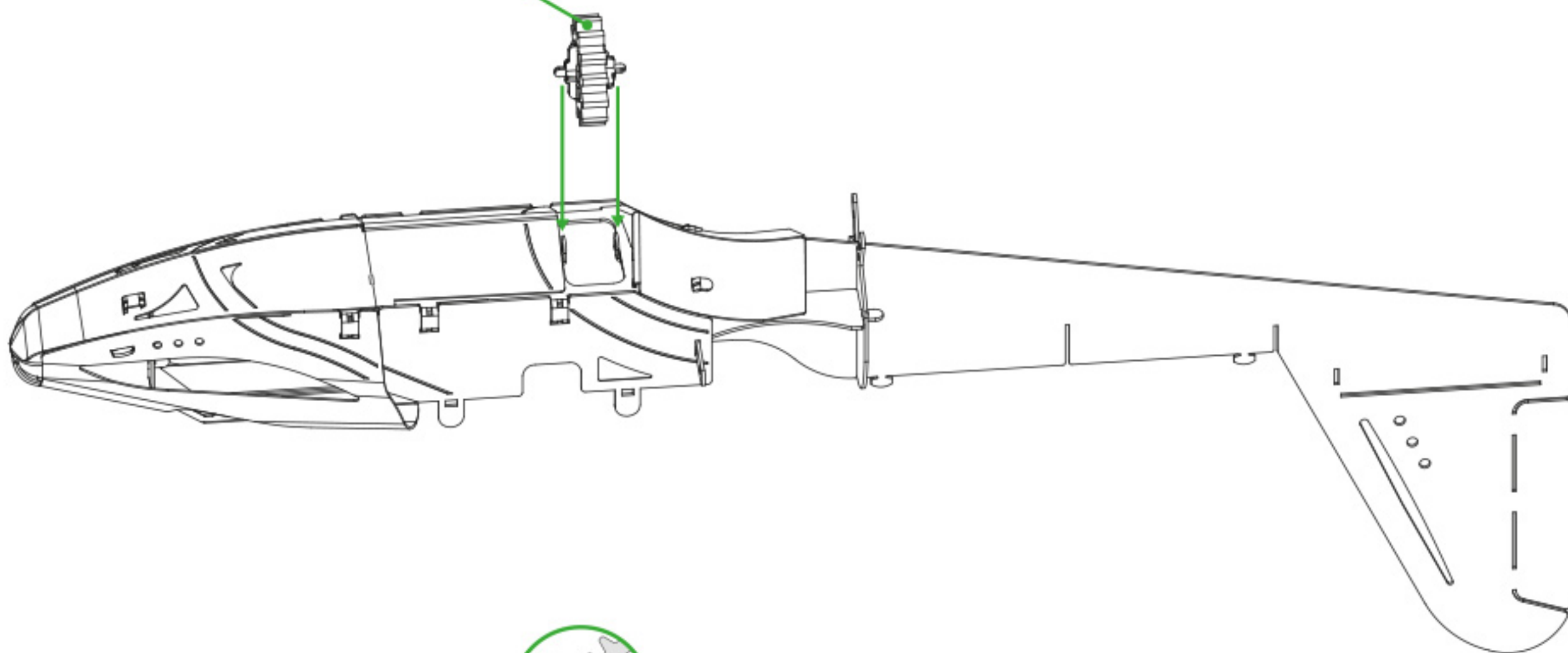
#1



11

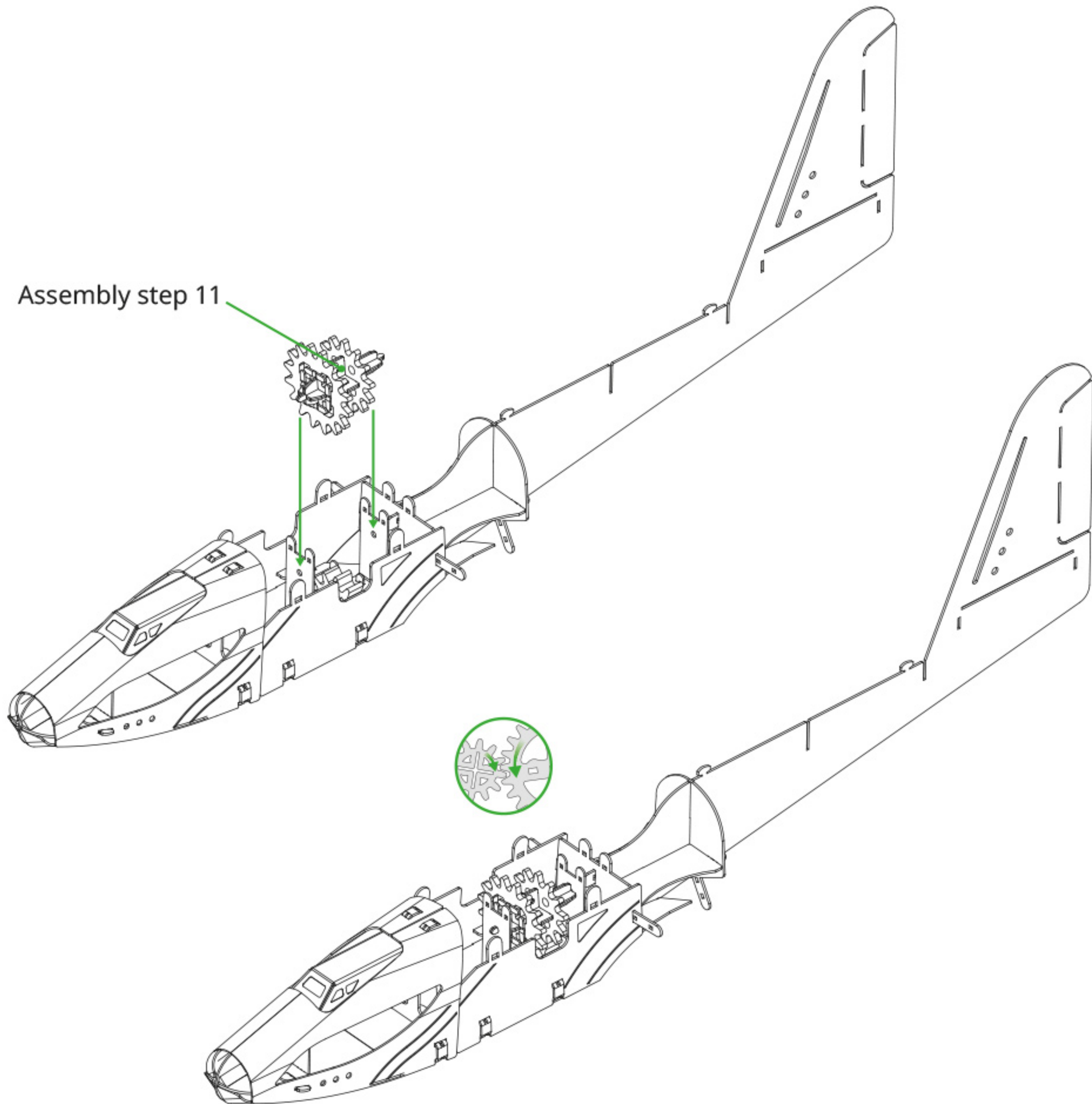


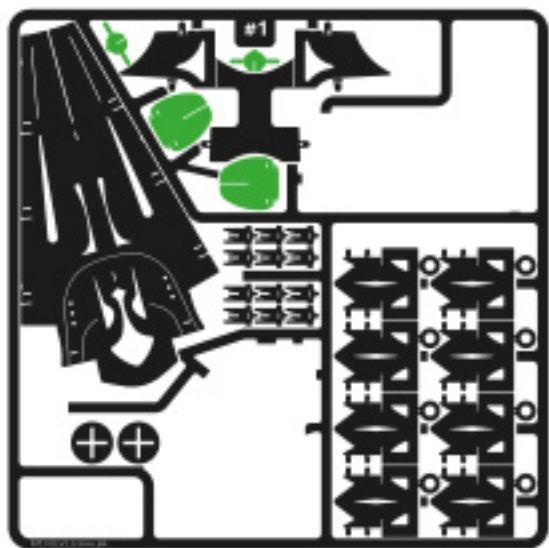
Assembly step 10



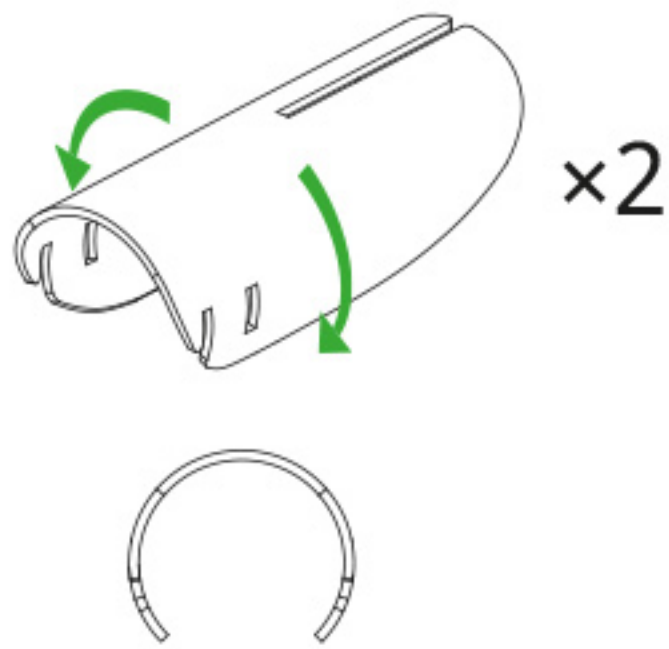


Assembly step 11

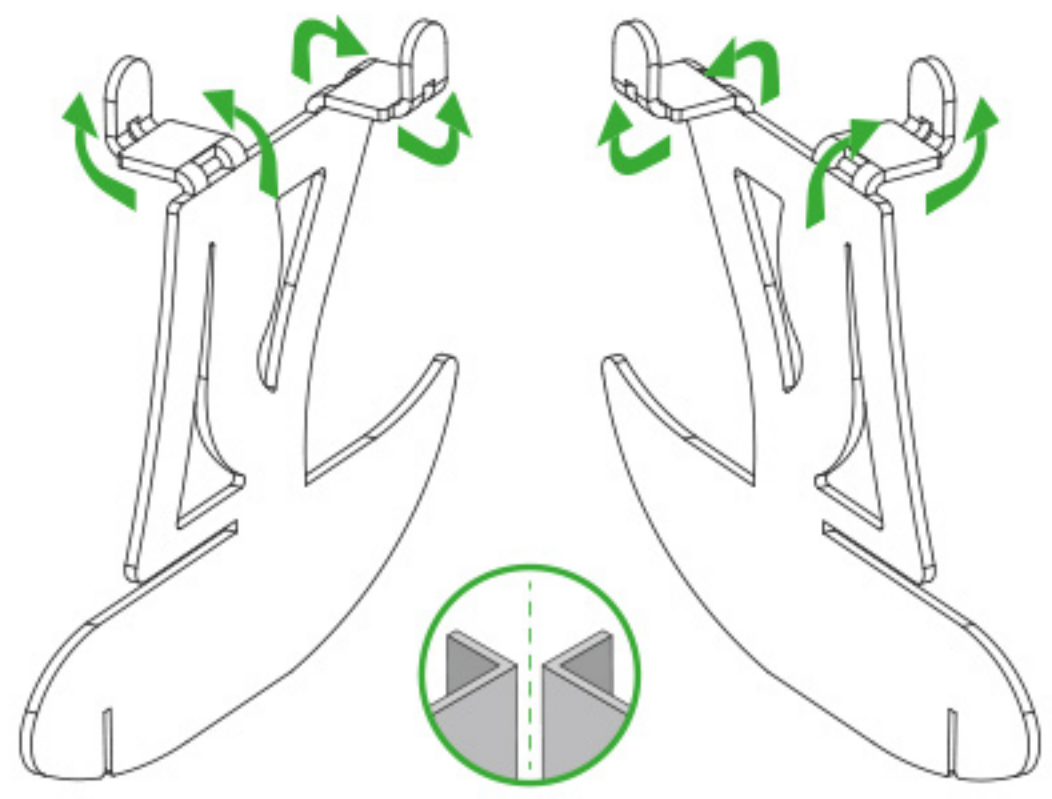




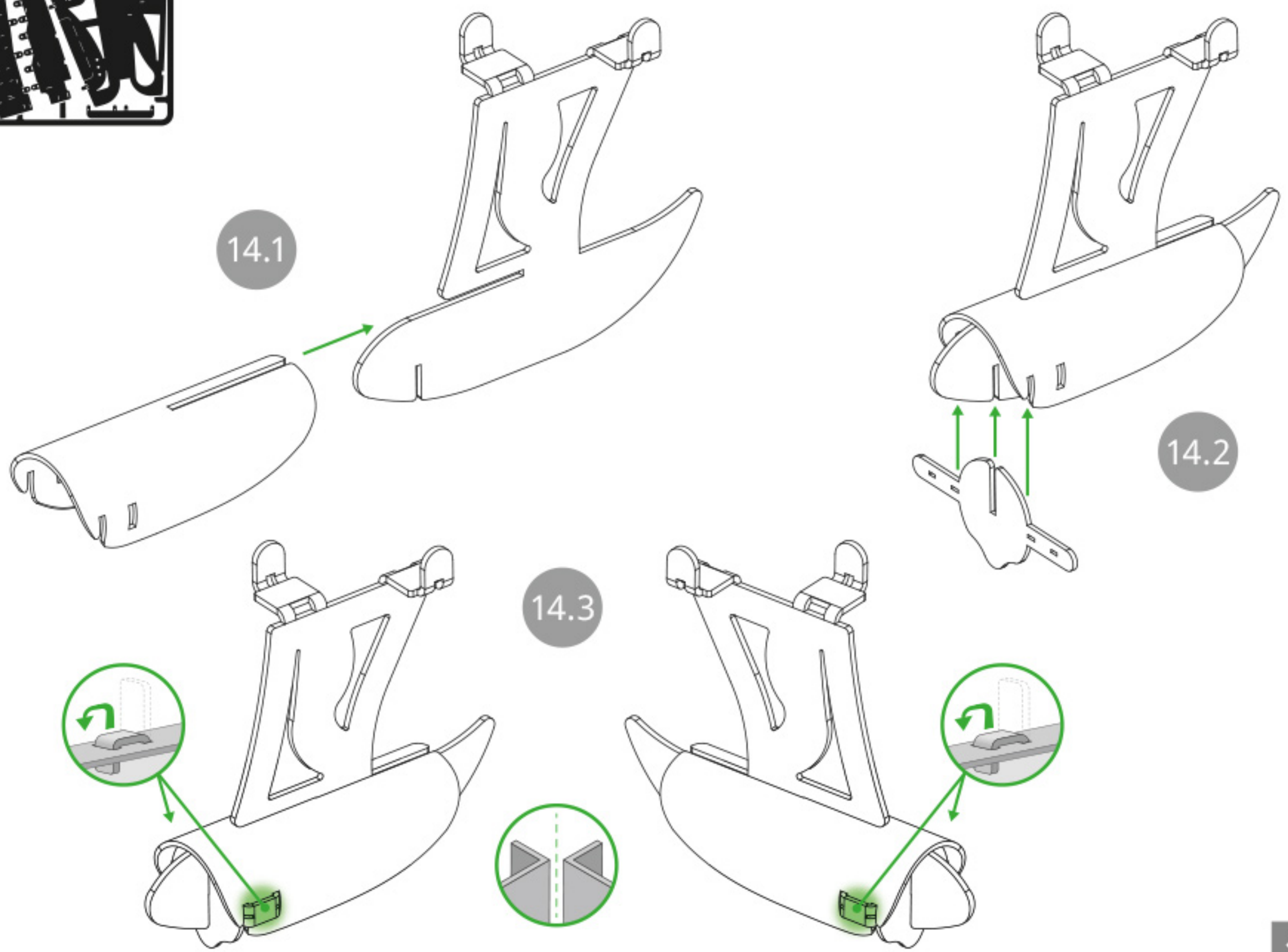
#1



x2



#3



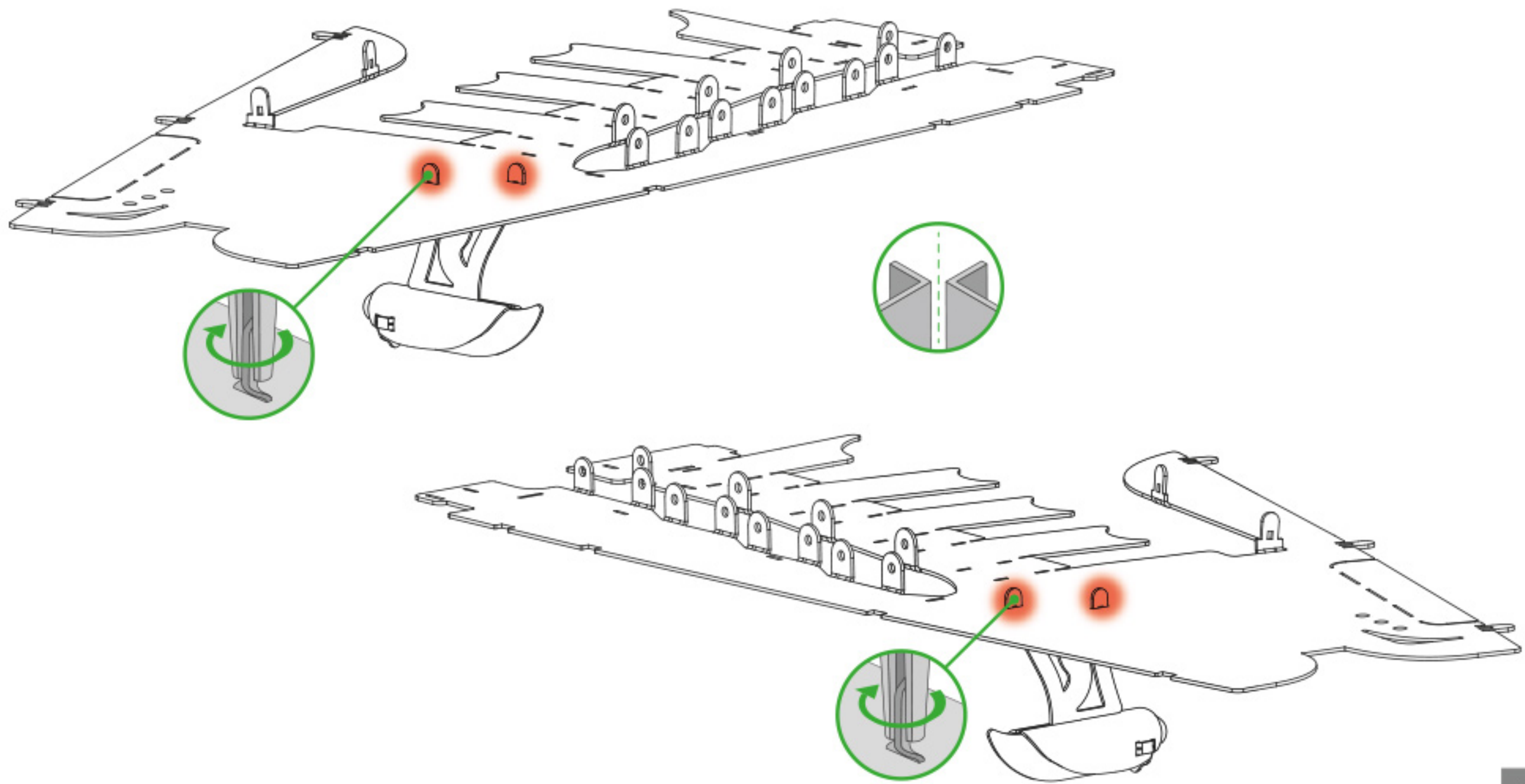
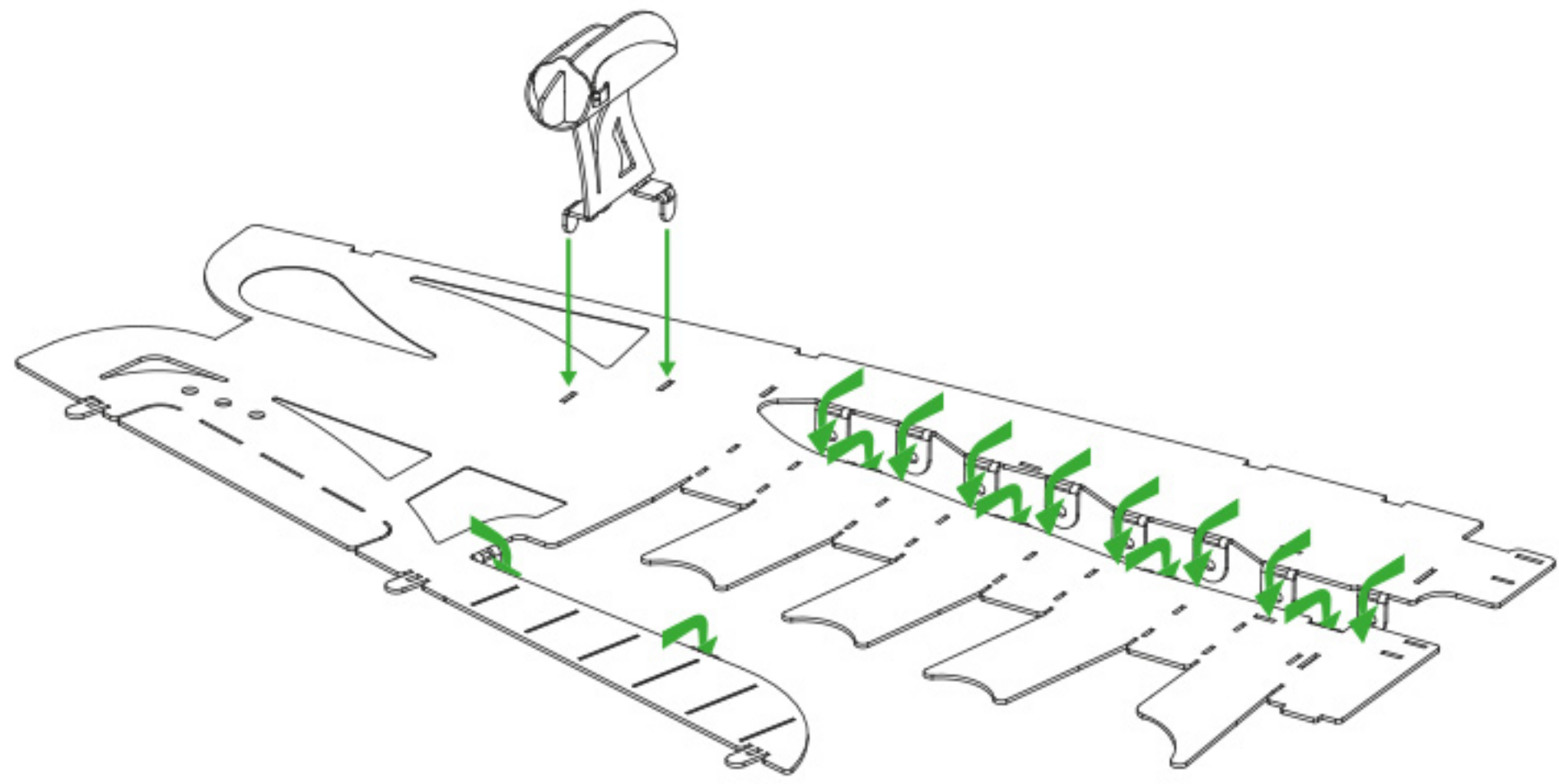
14.1

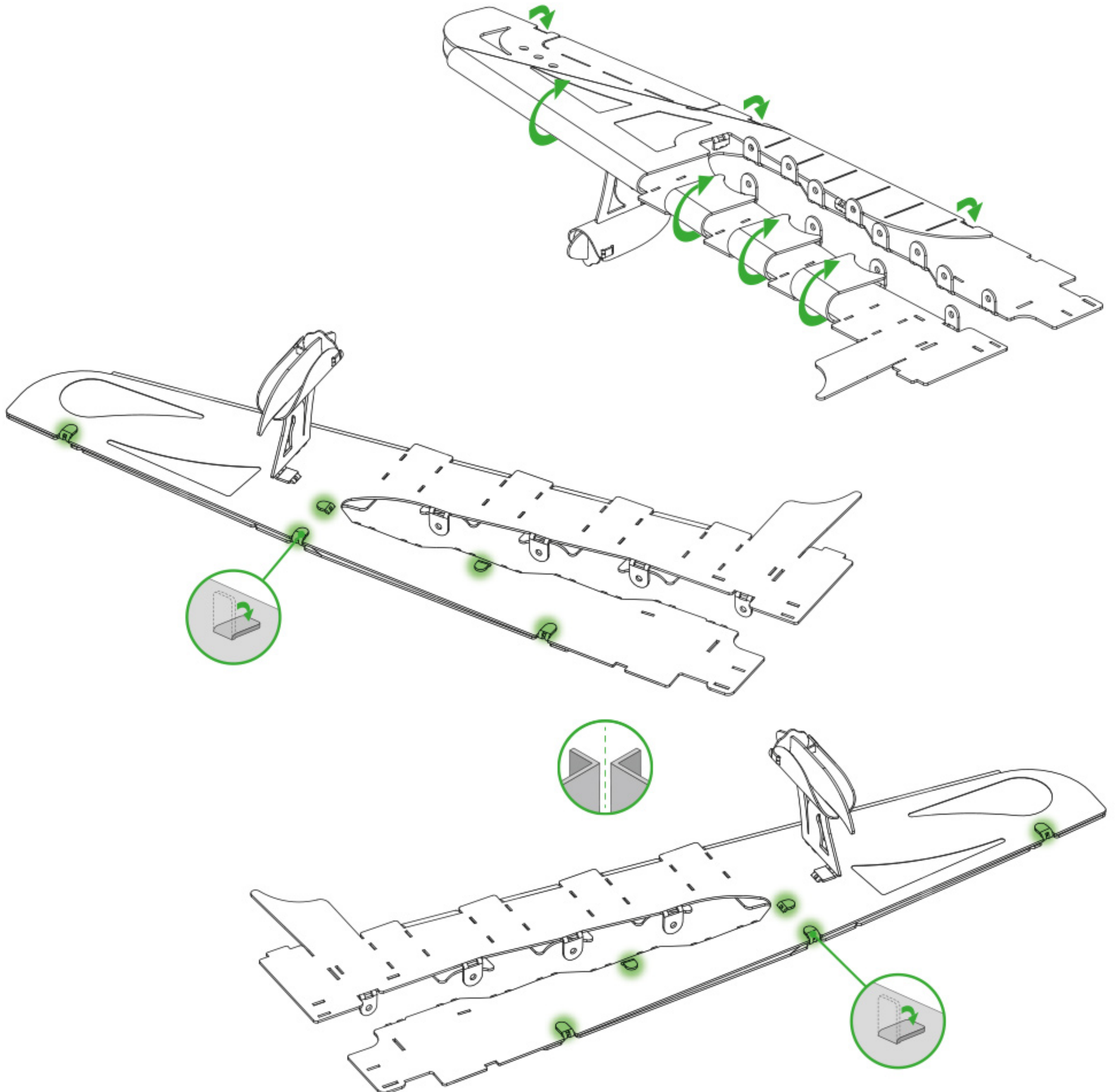
14.2

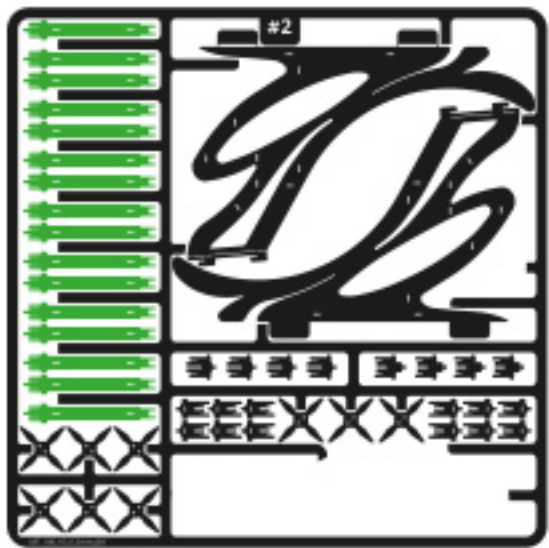
14.3



#3



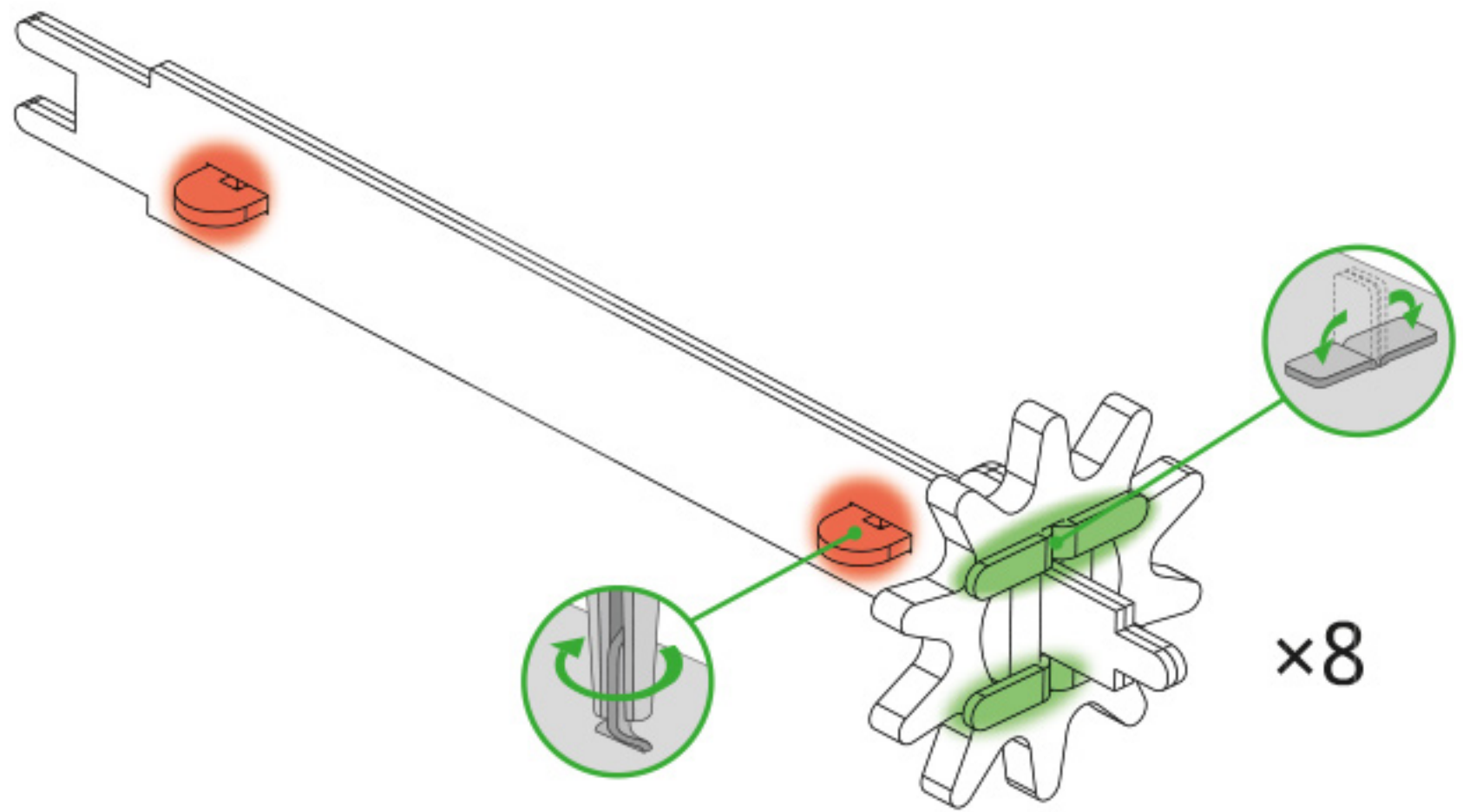




#2

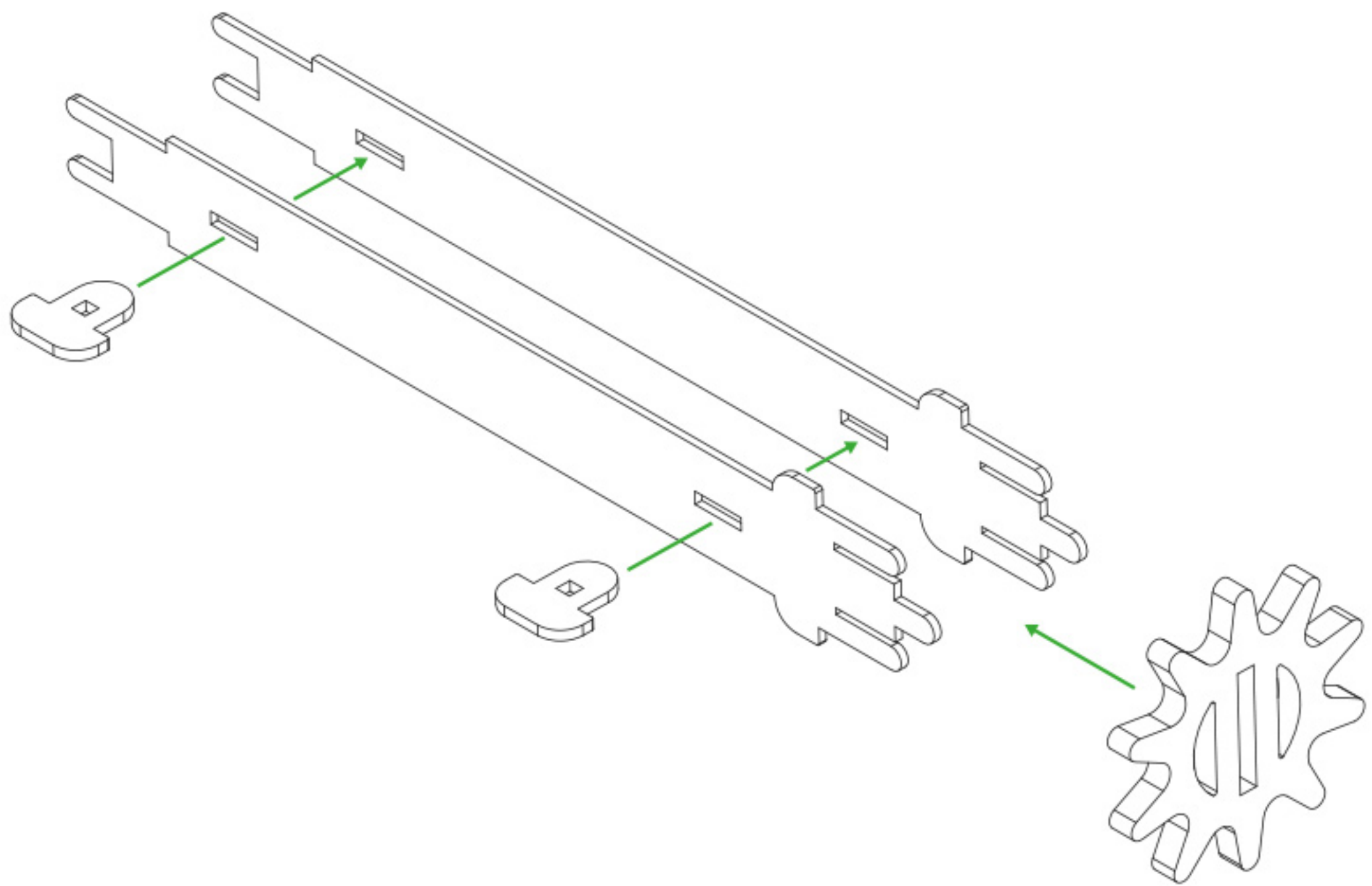


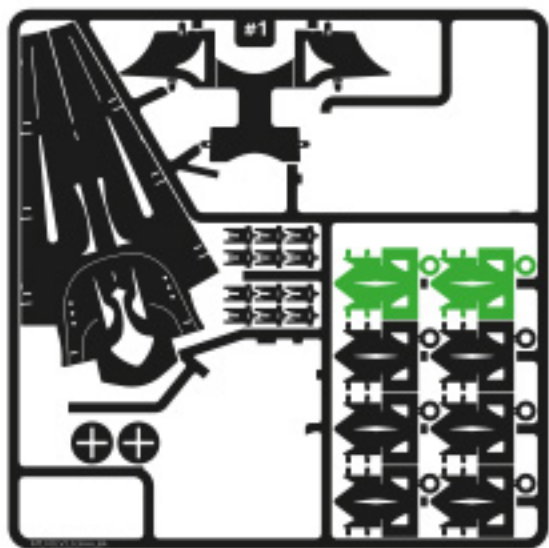
#4



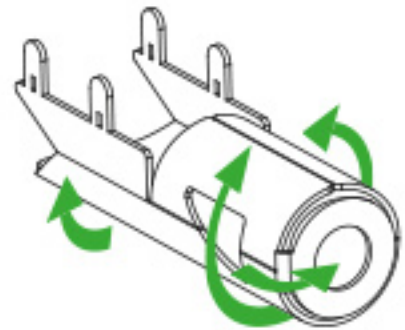
x8

 x8
G7





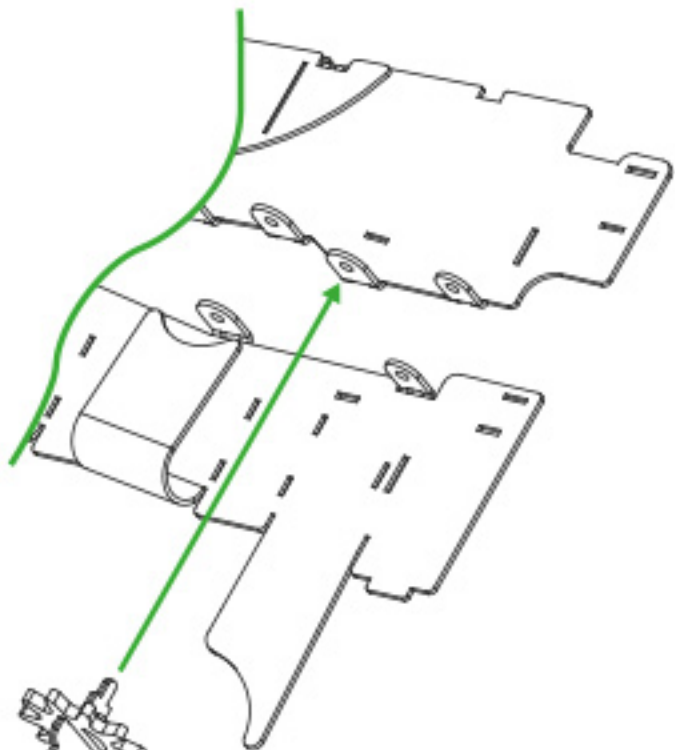
#1



x2



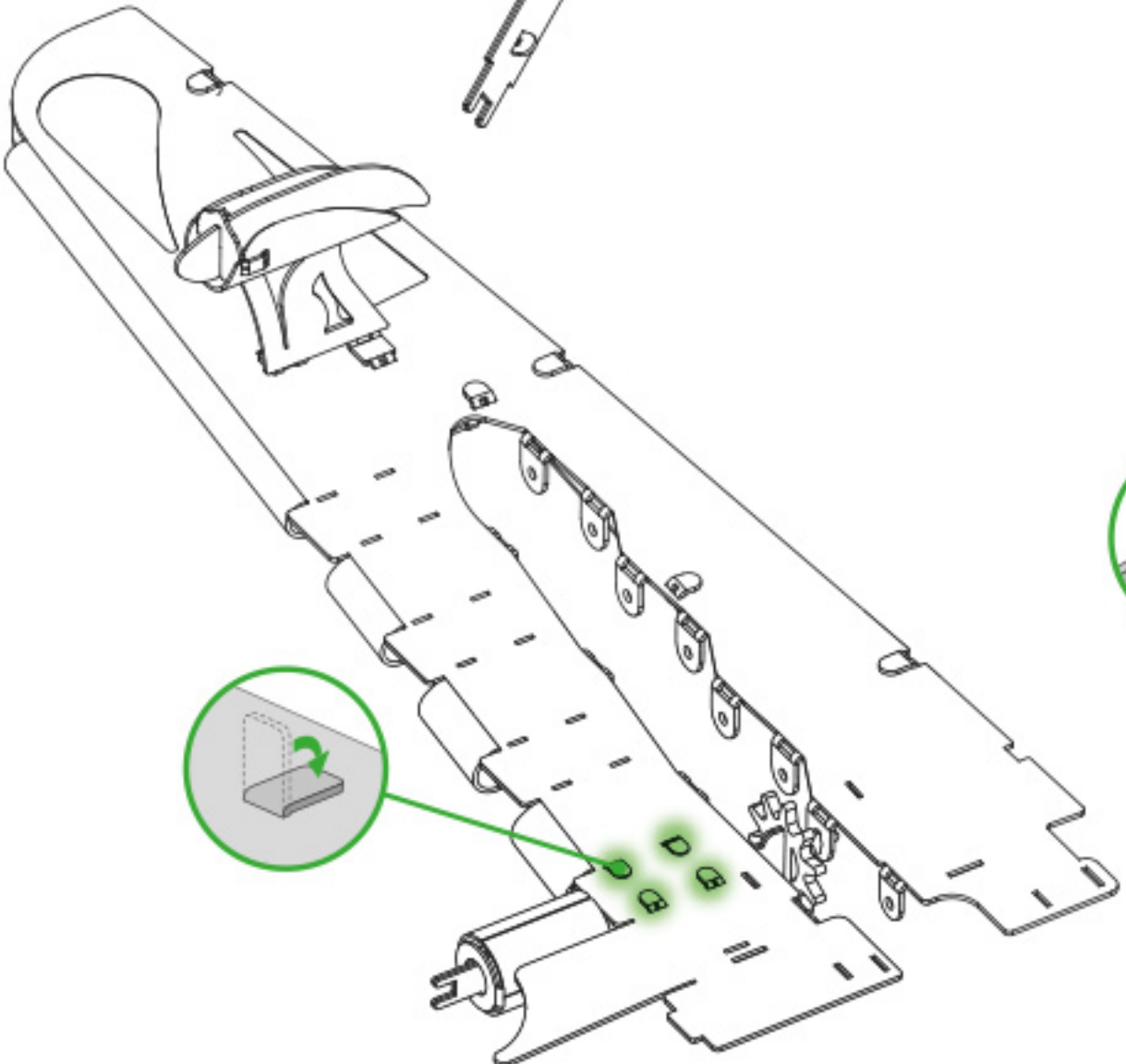
18.1



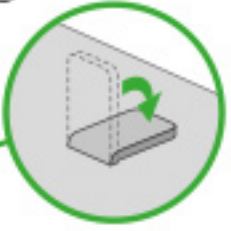
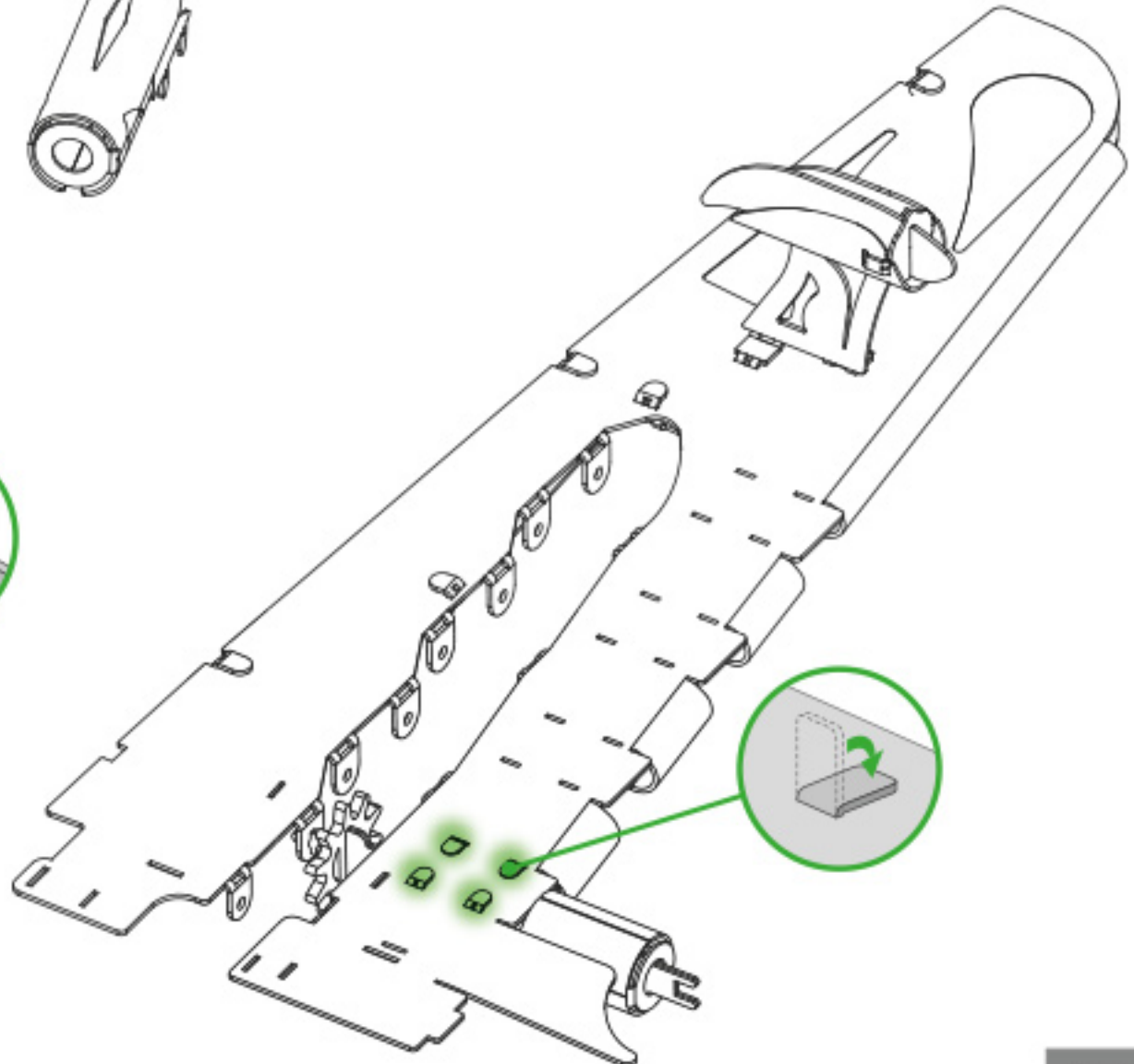
18.3

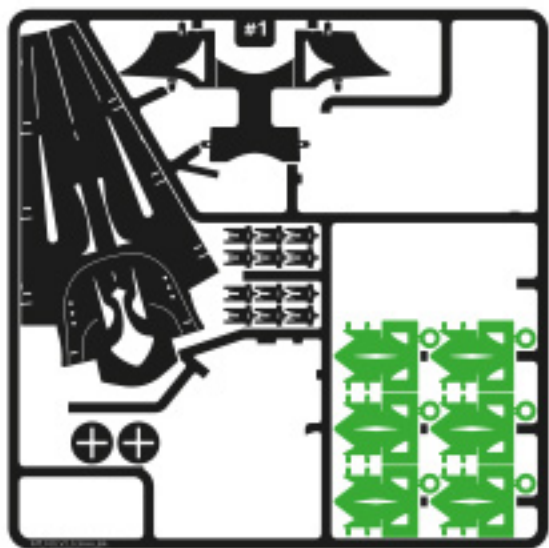


18.2

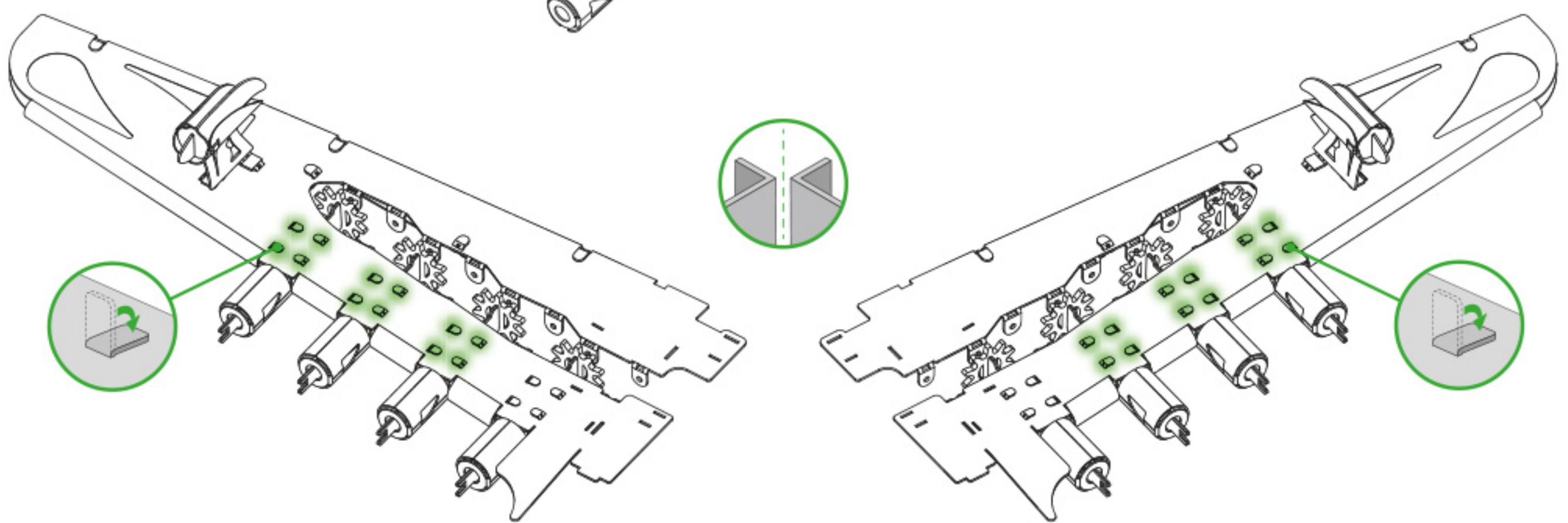
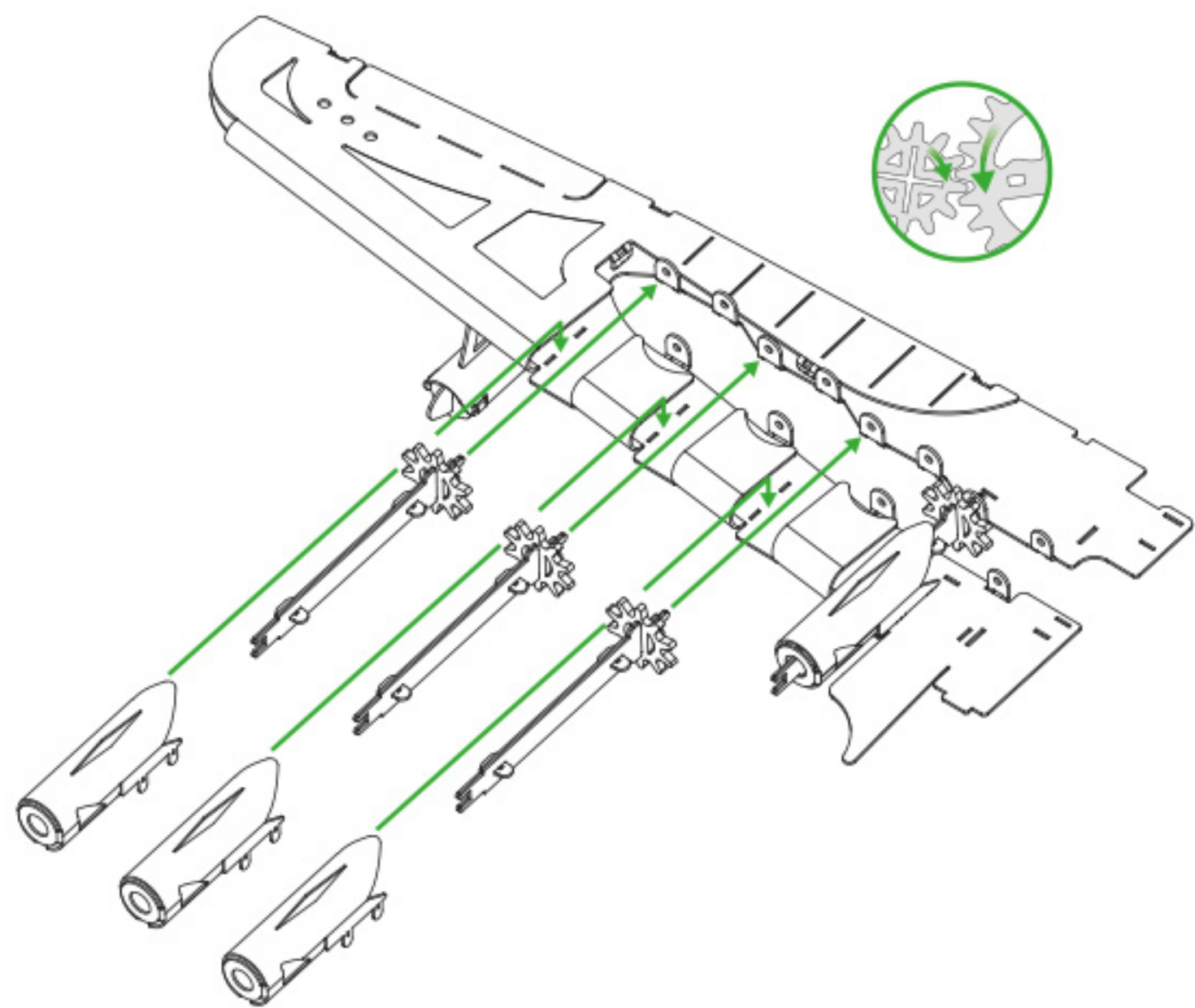
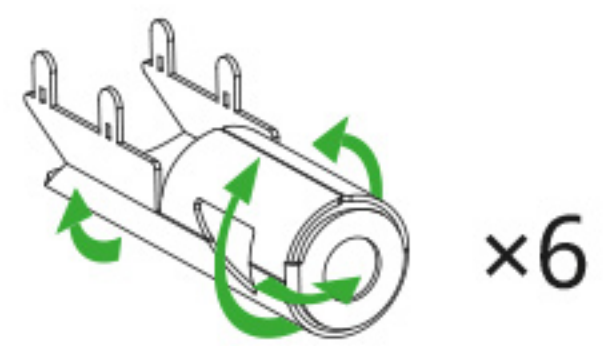


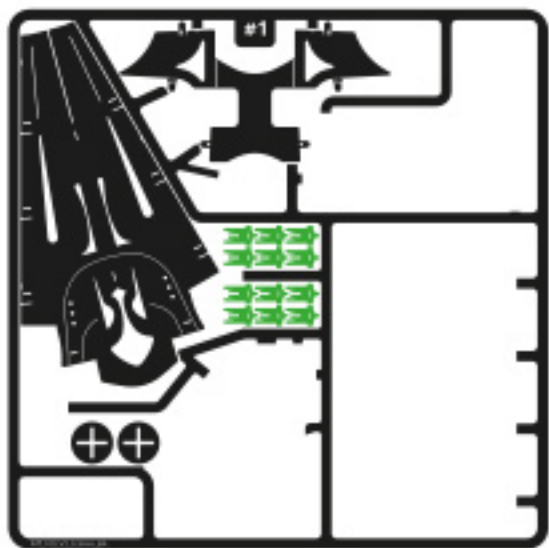
18.4





#1



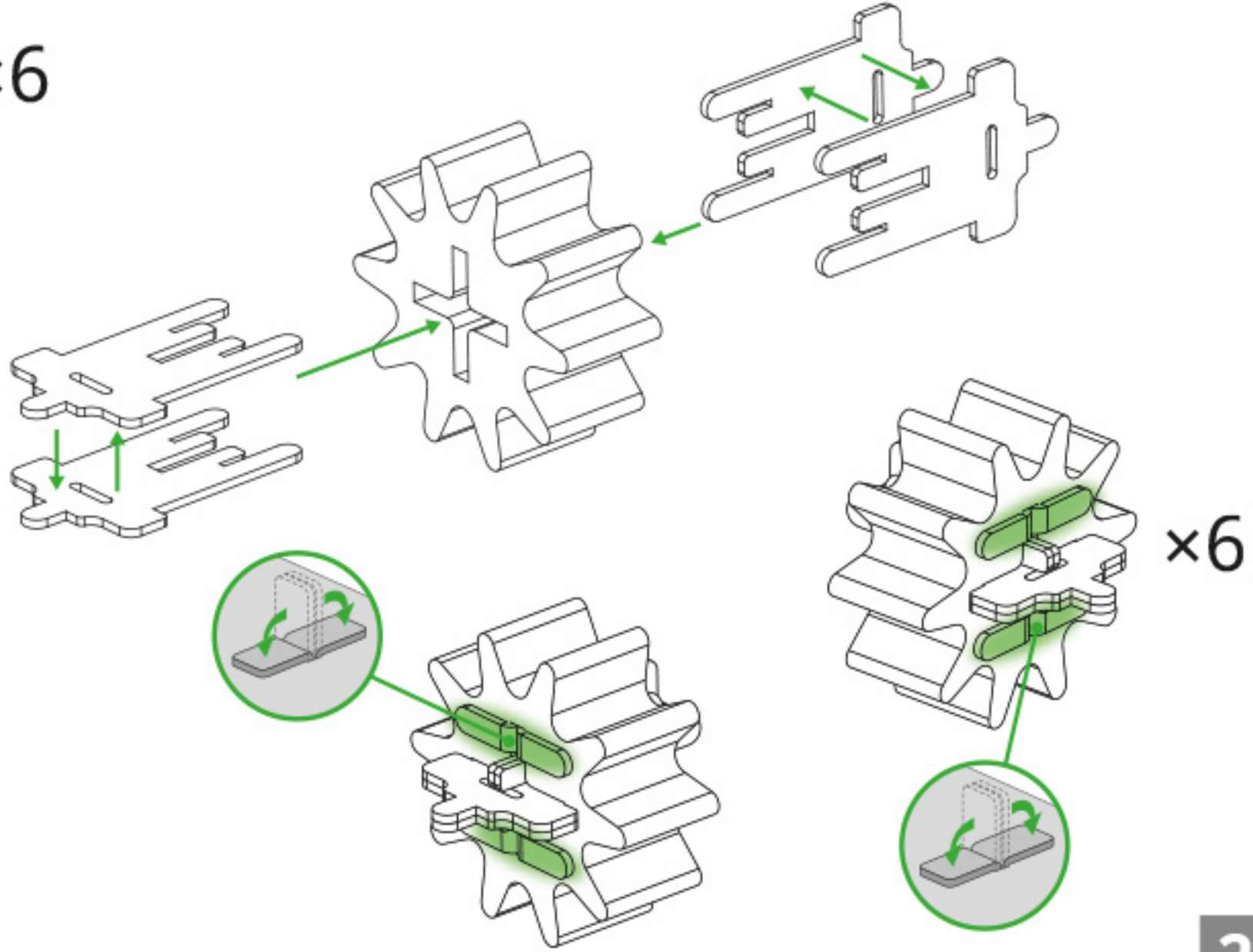


#1

 x6
G11

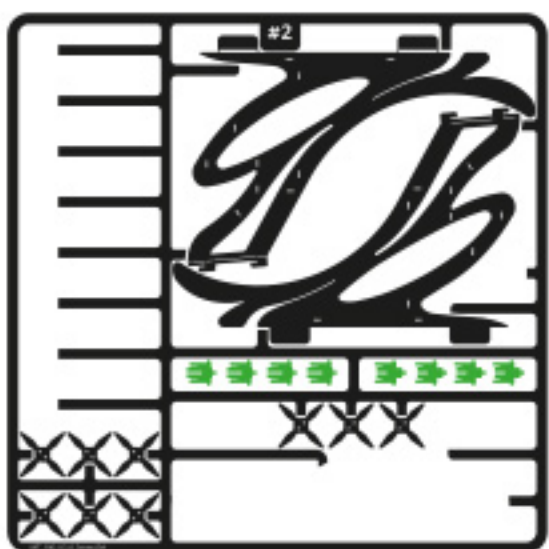


#2




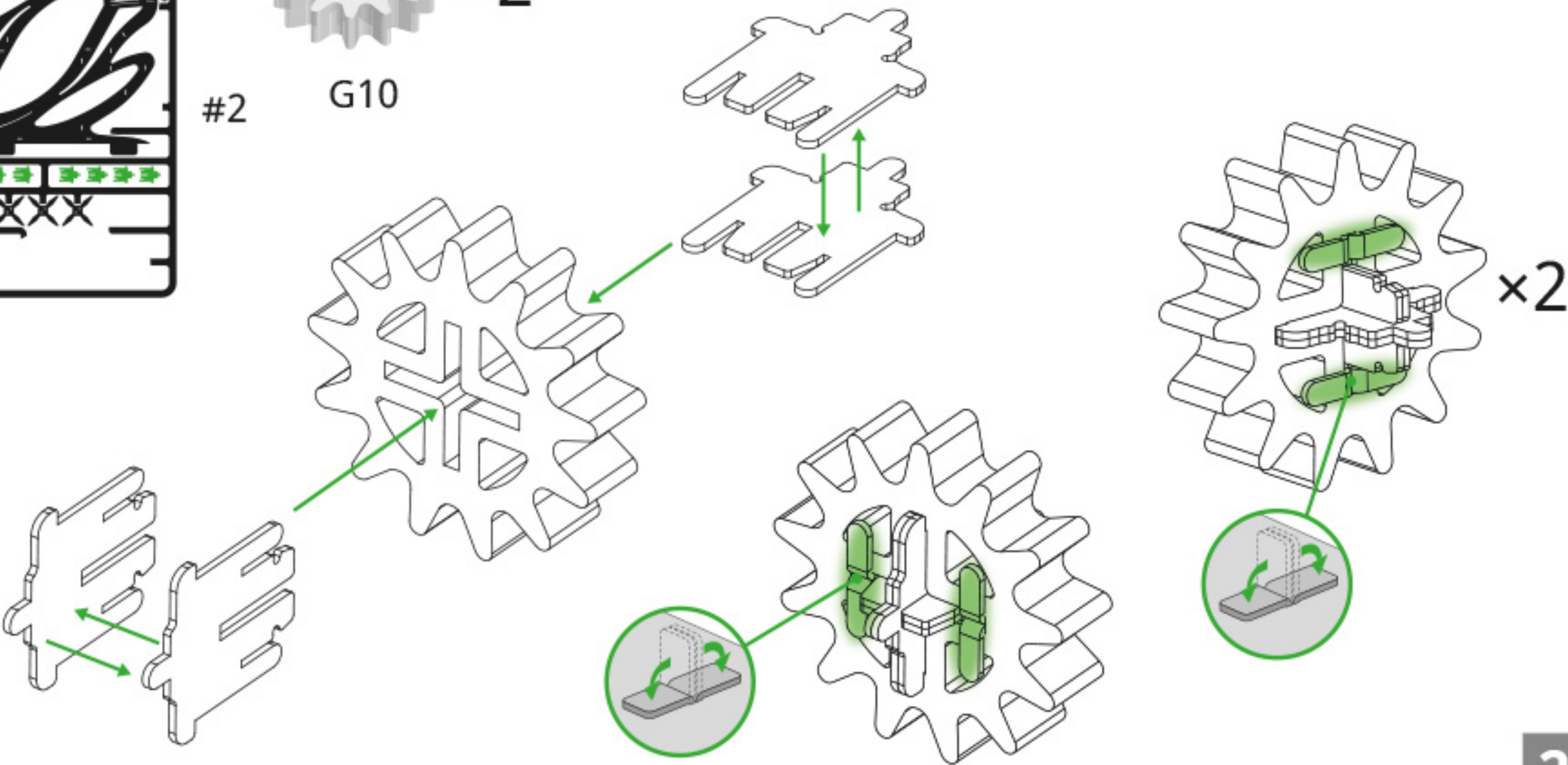
x6

20



#2

 x2
G10

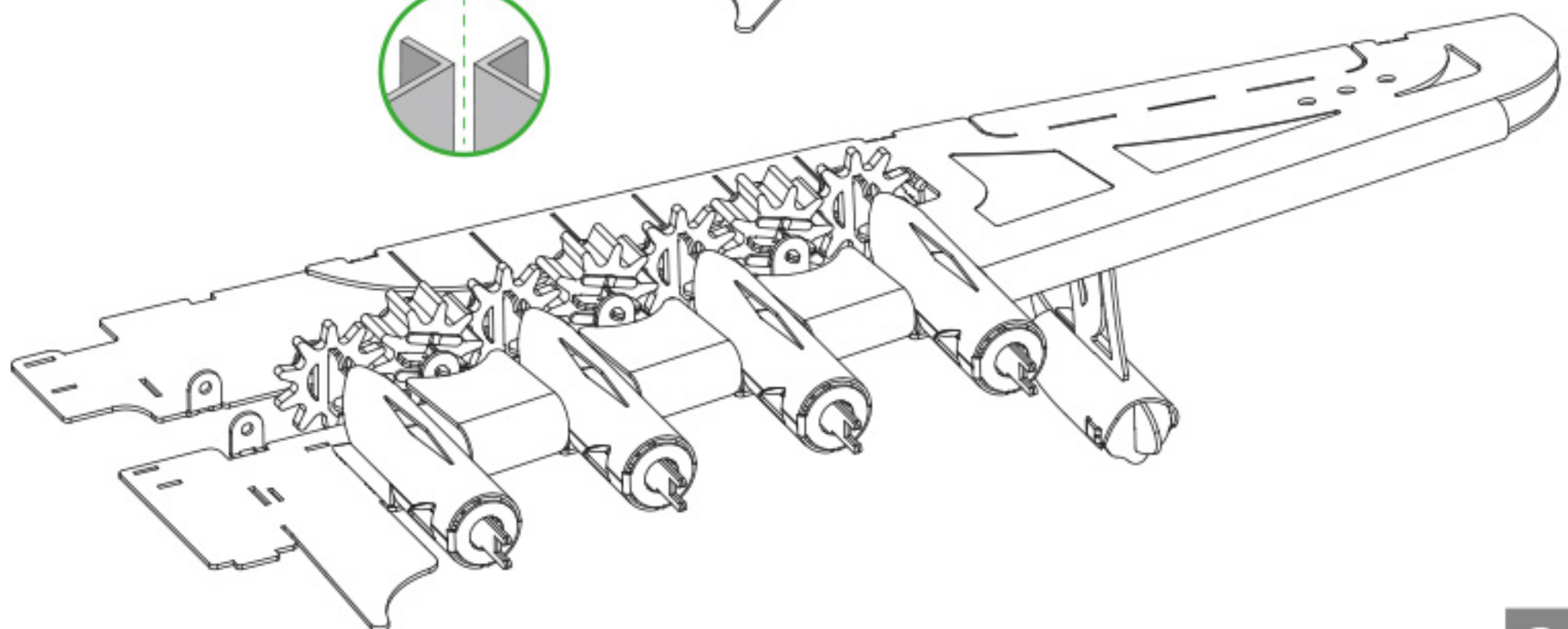
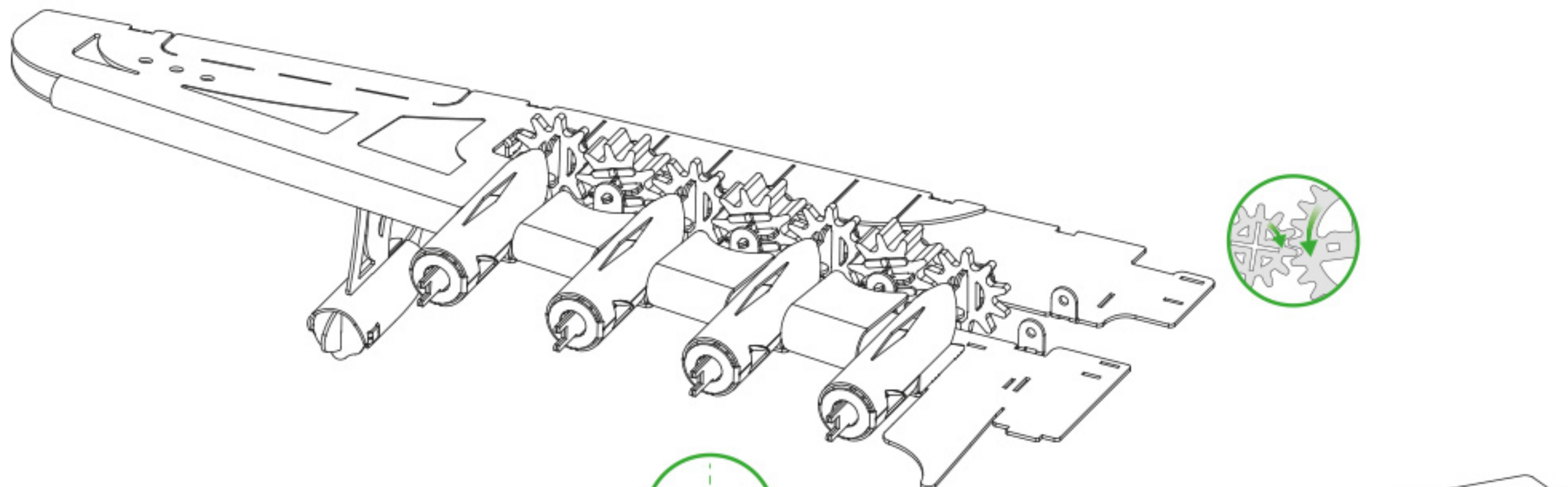
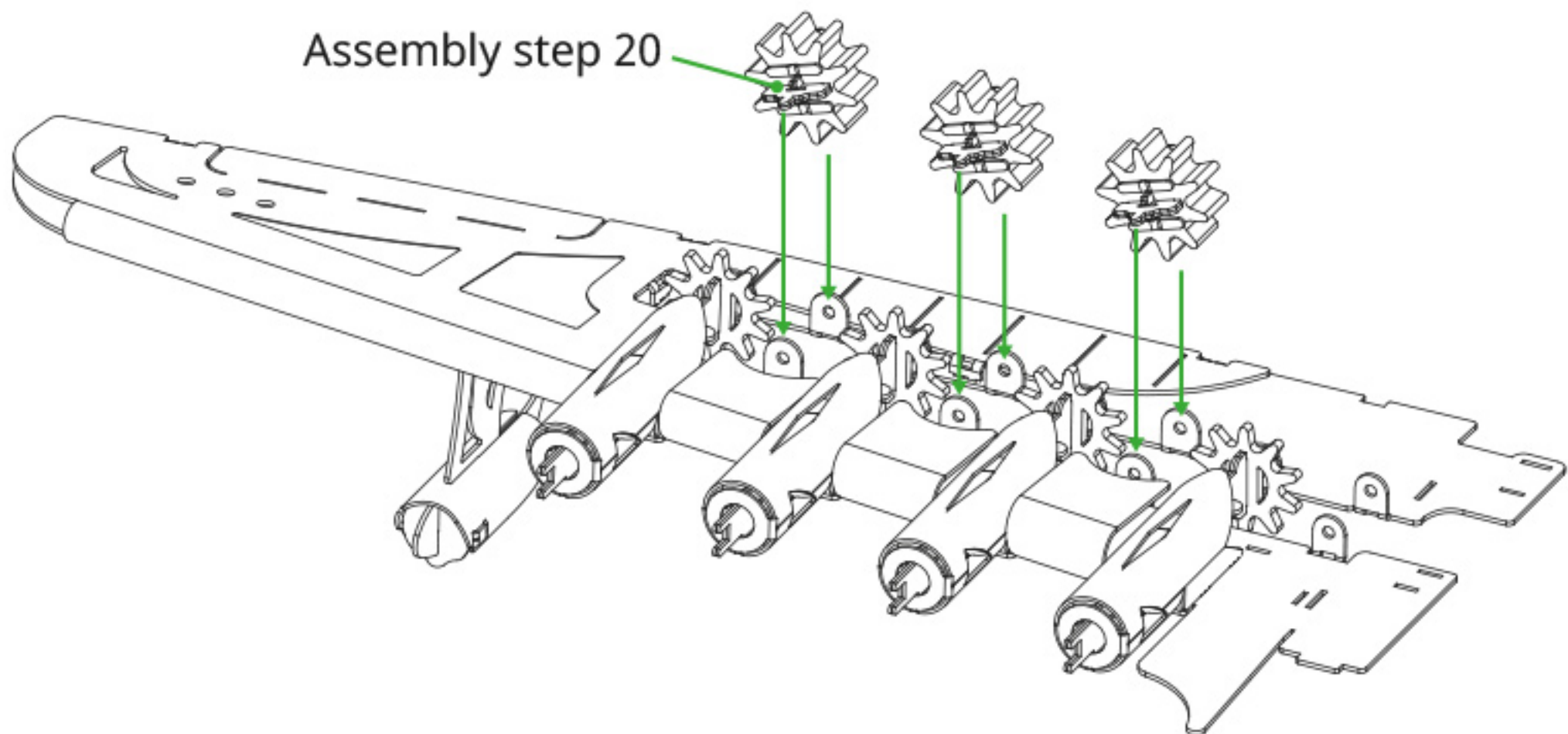


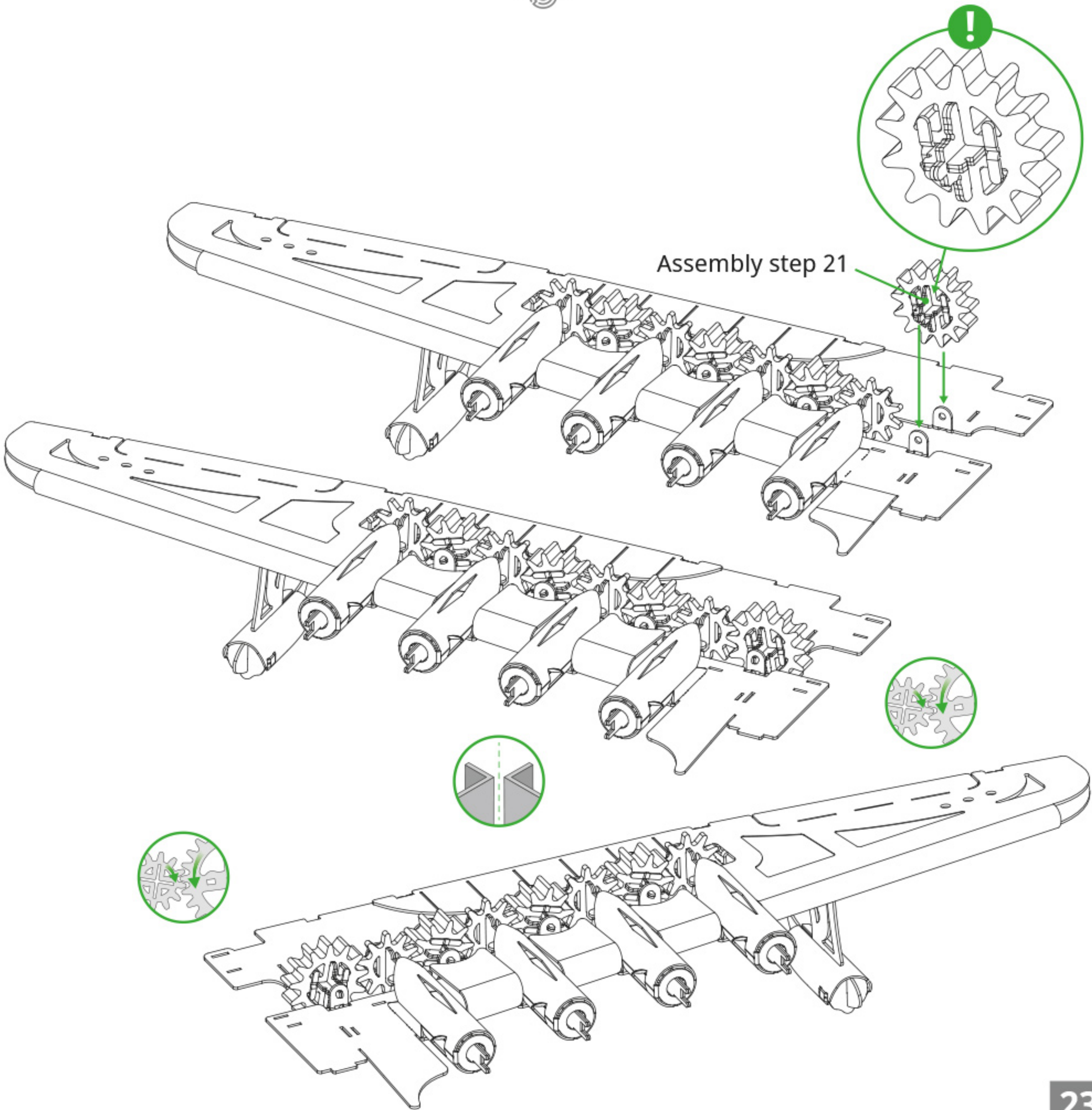
x2

21

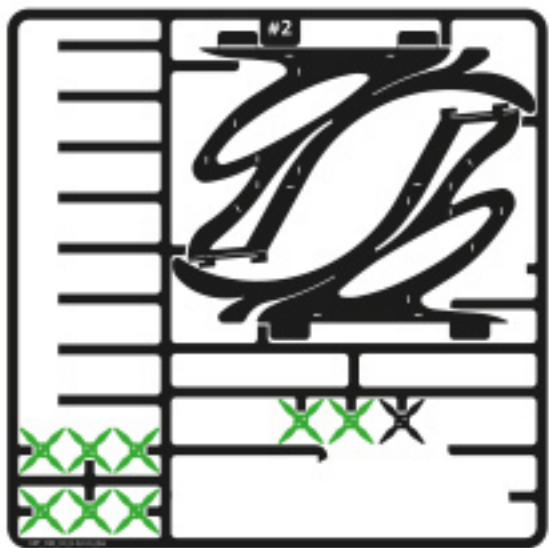


Assembly step 20

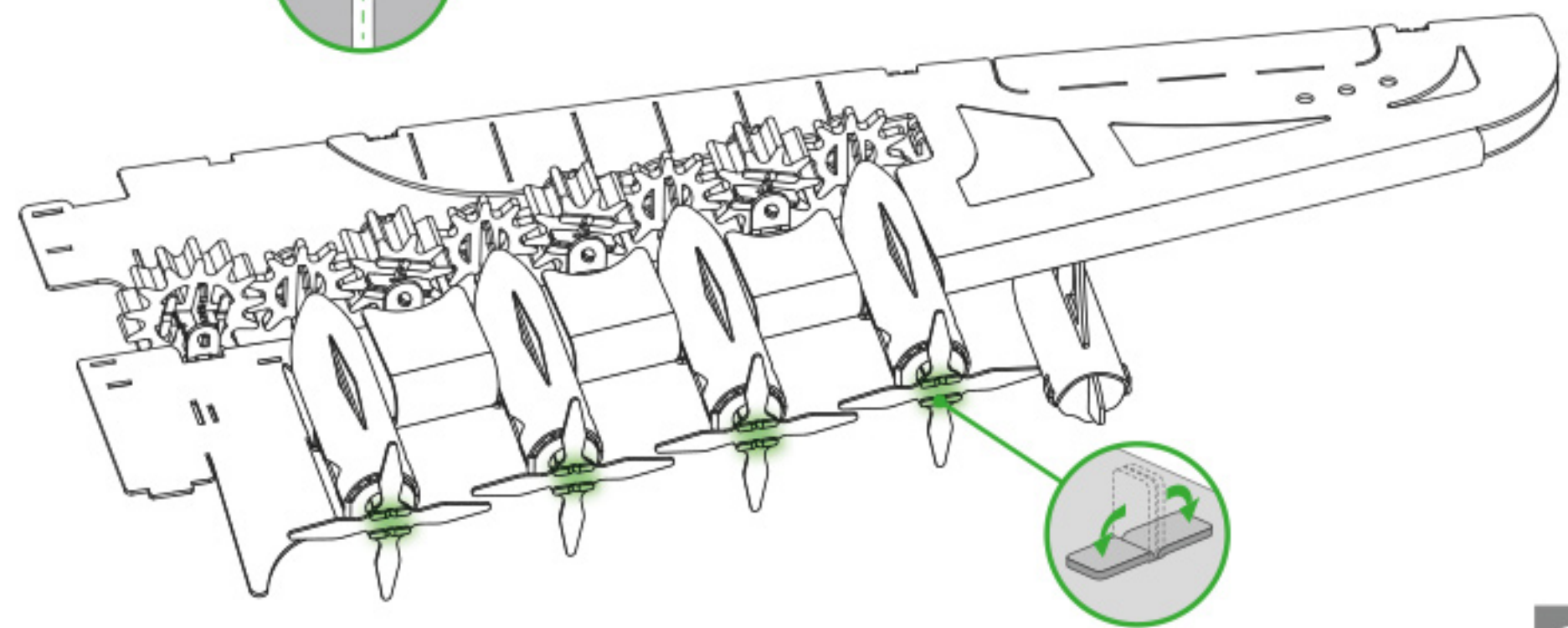
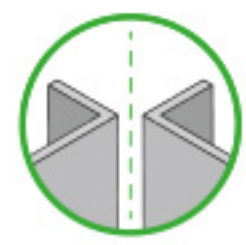
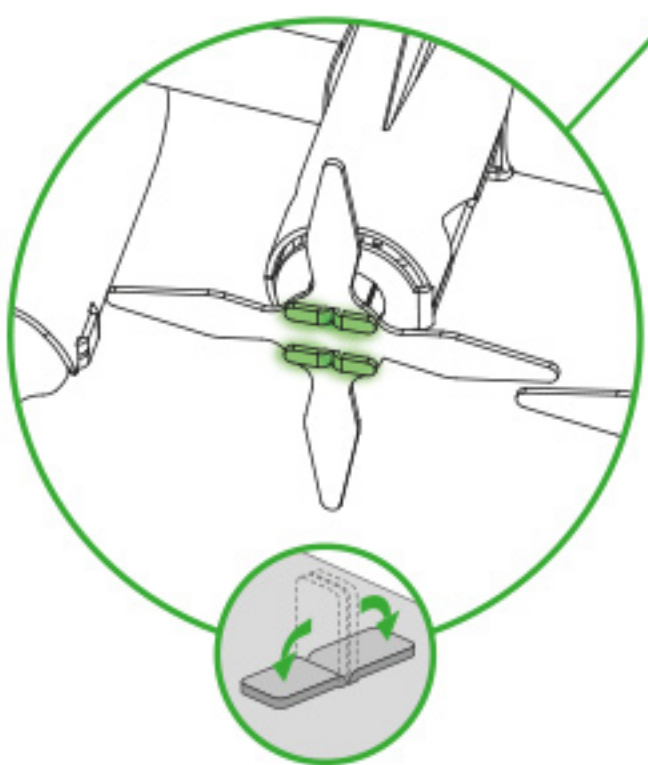
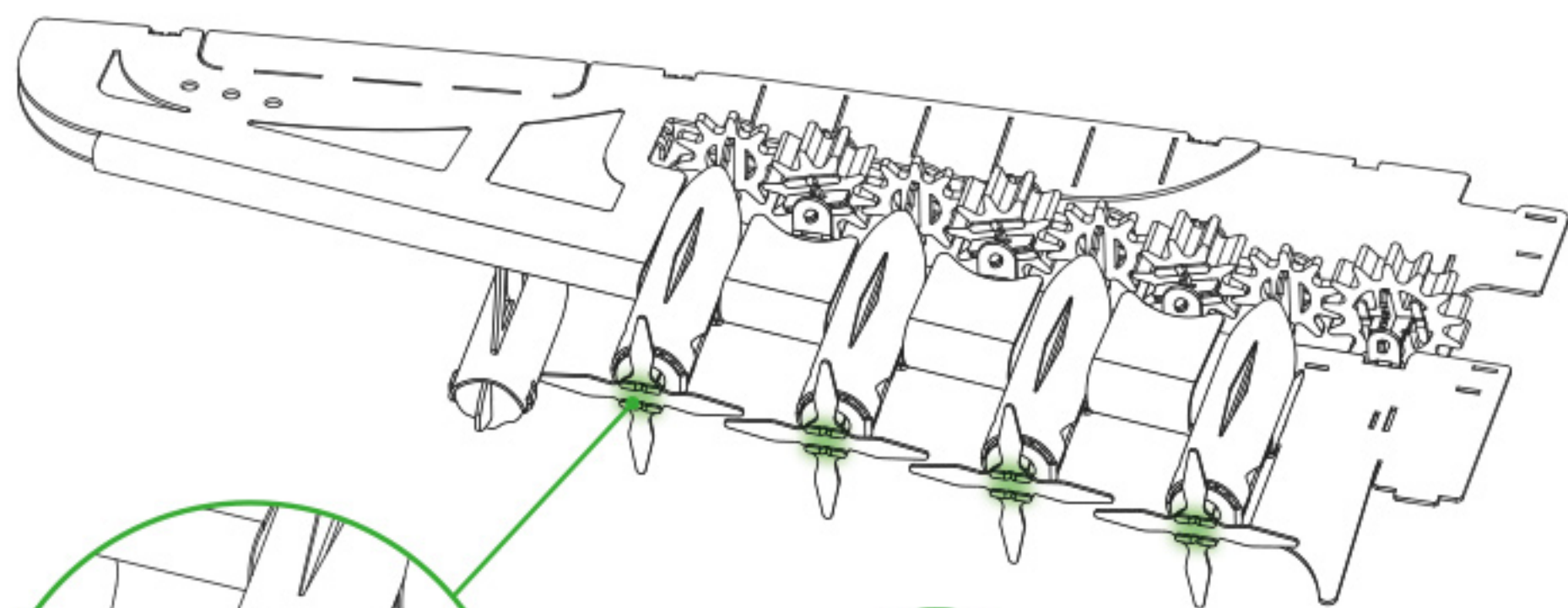
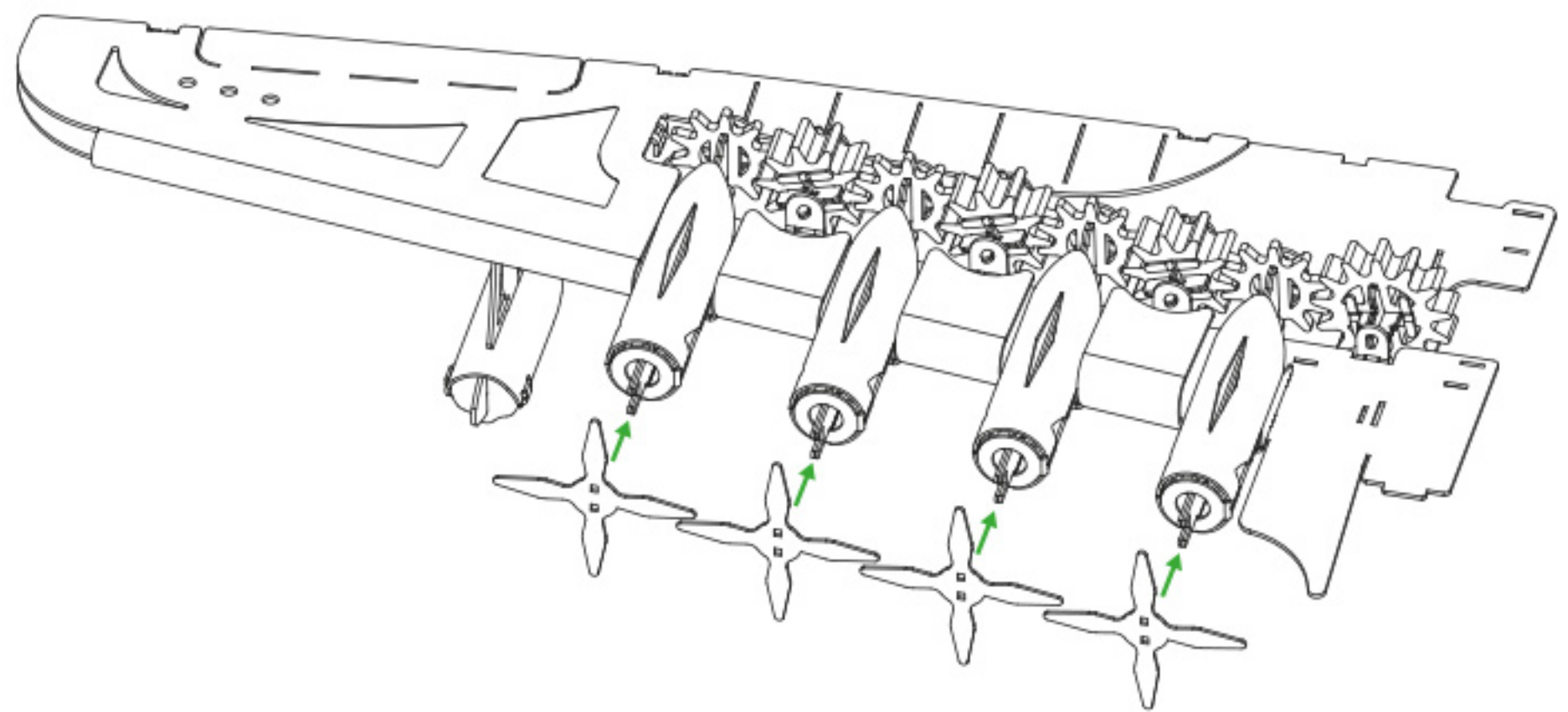




Assembly step 21

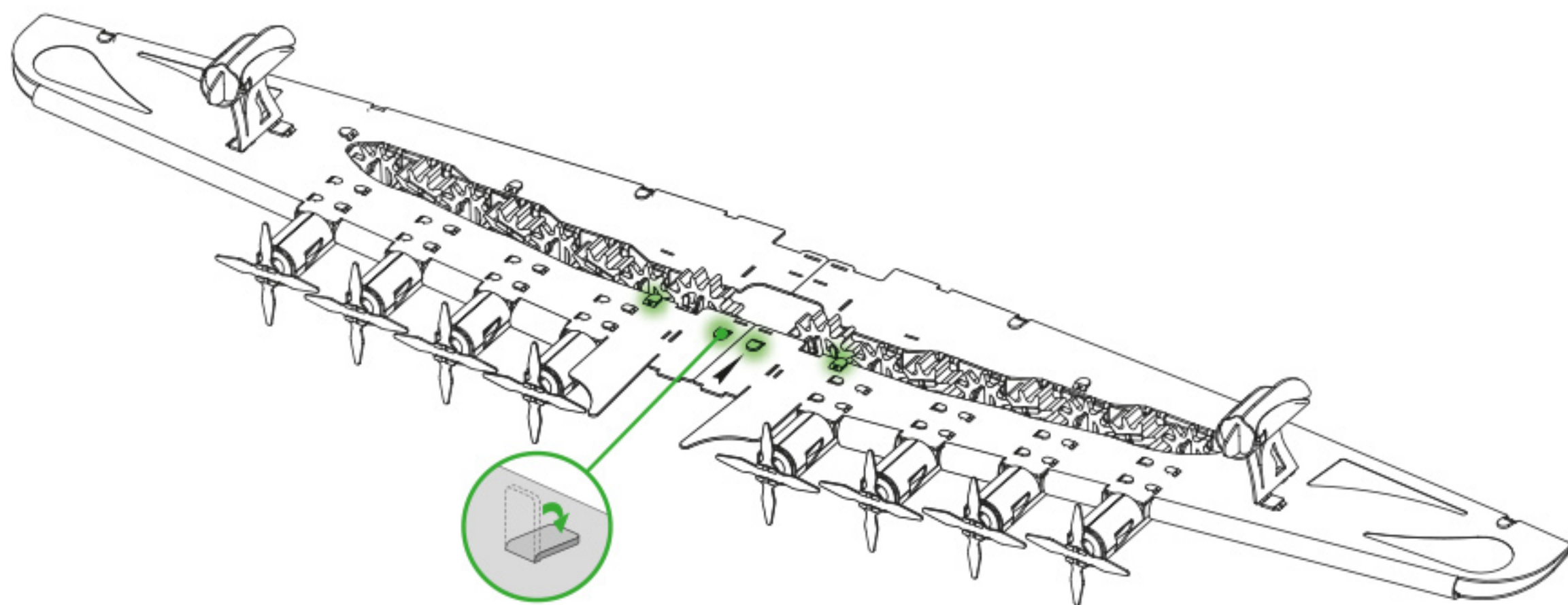
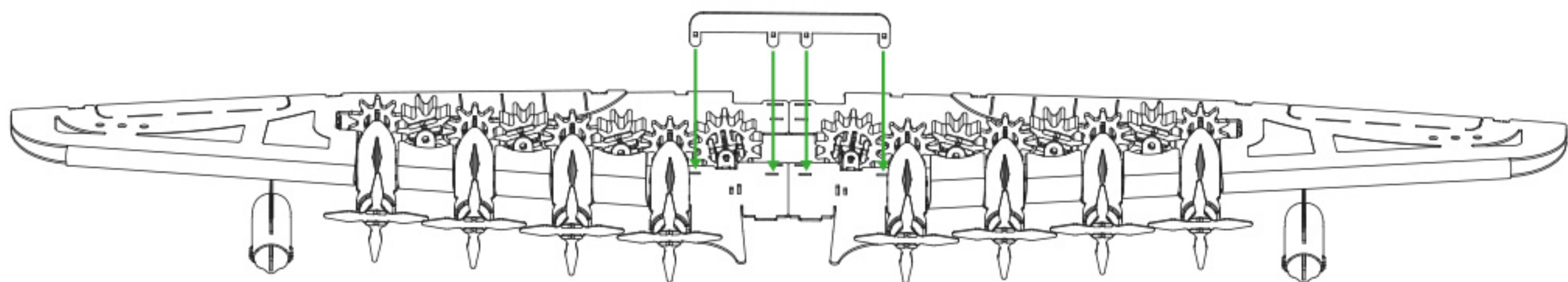


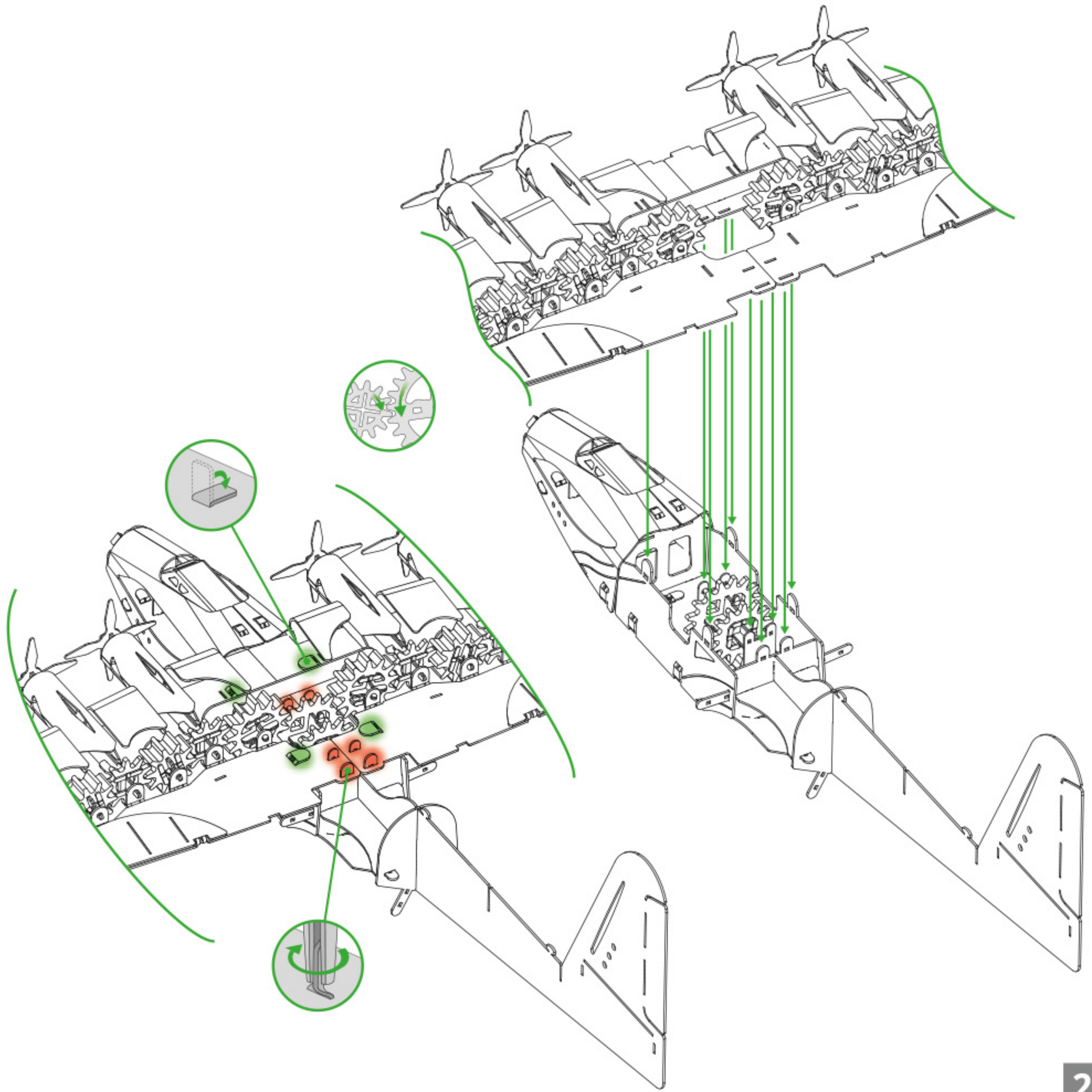
#2





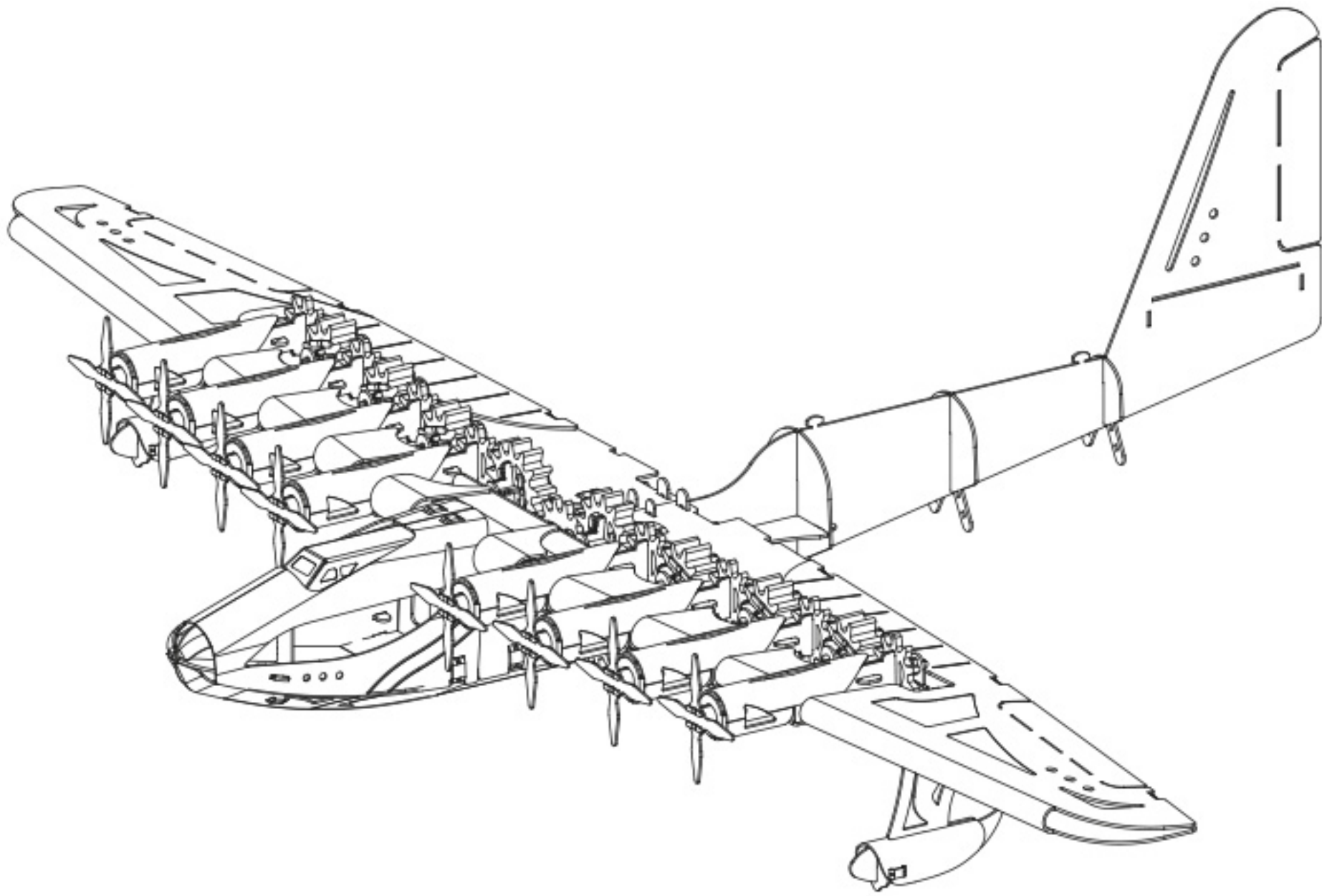
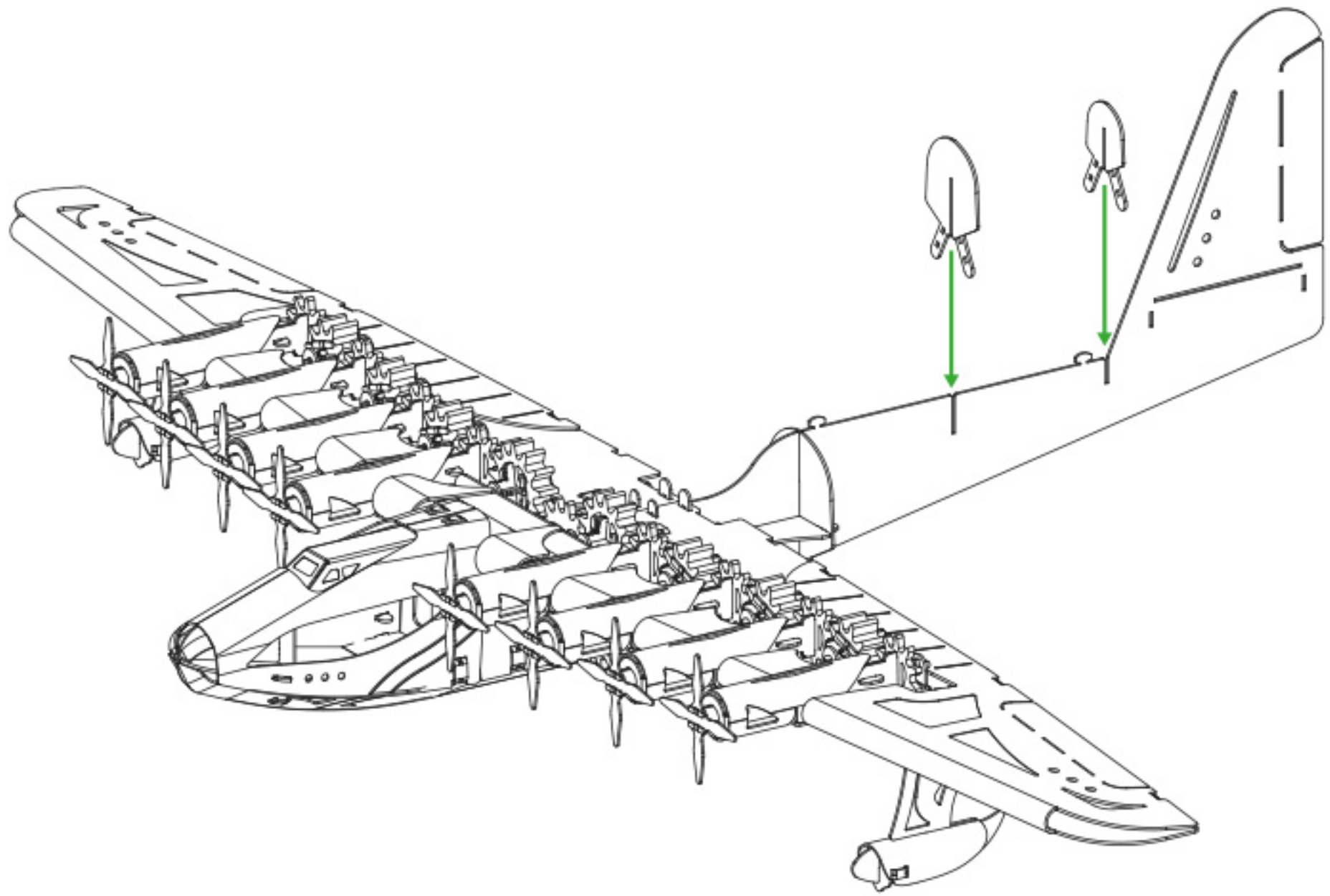
#3

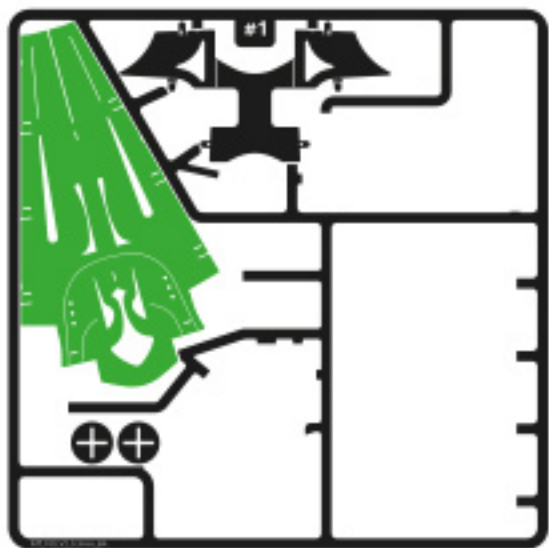




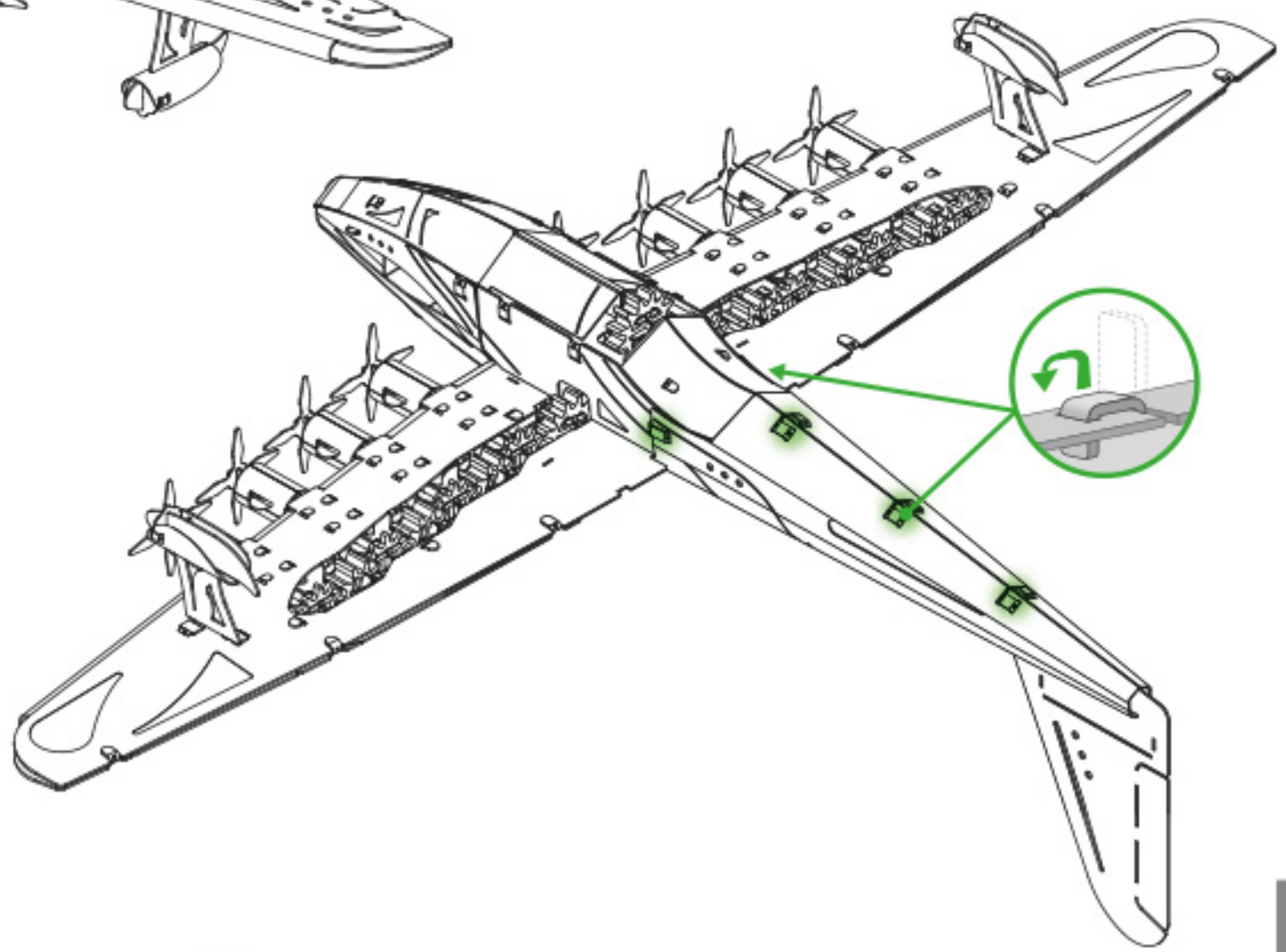
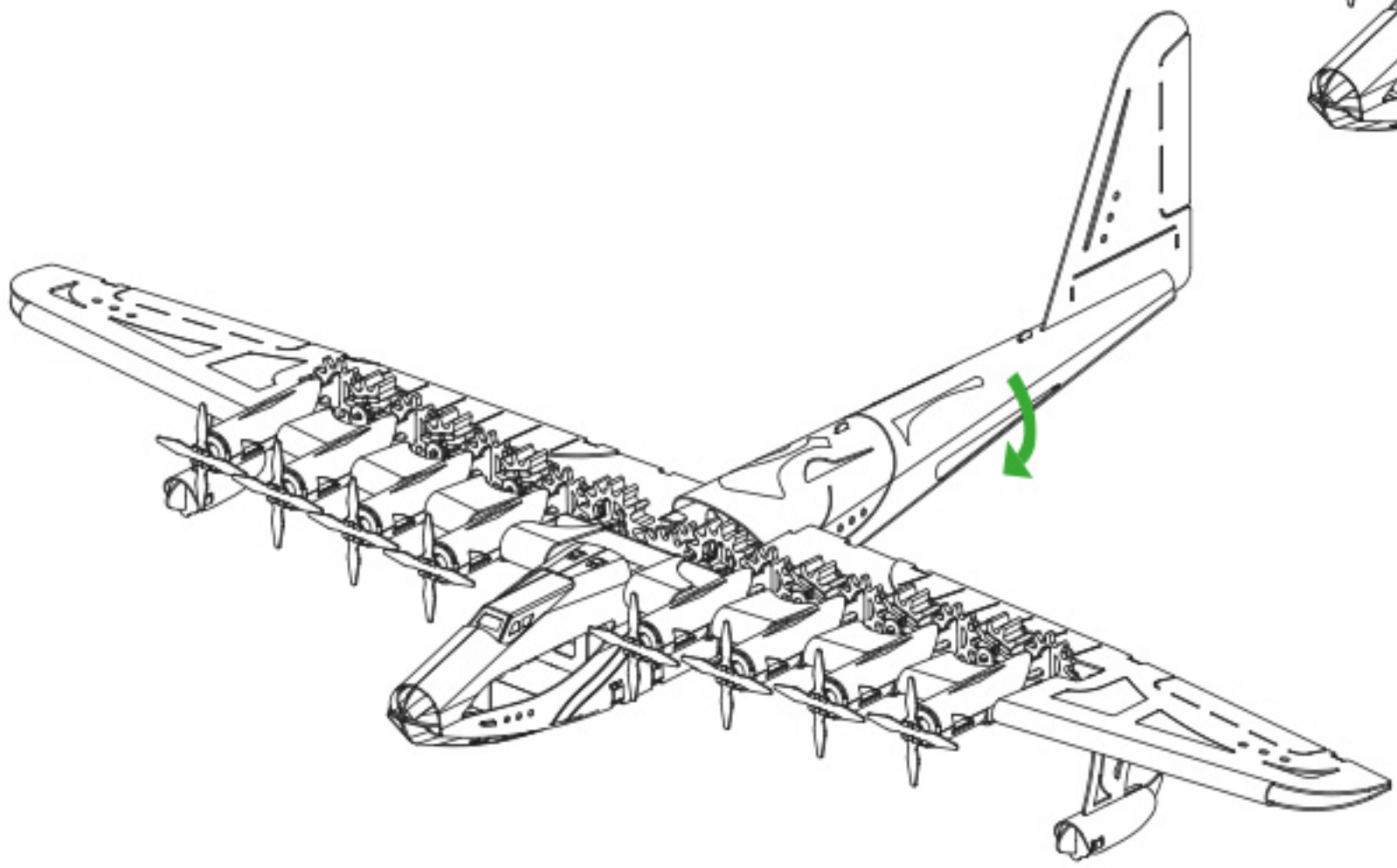
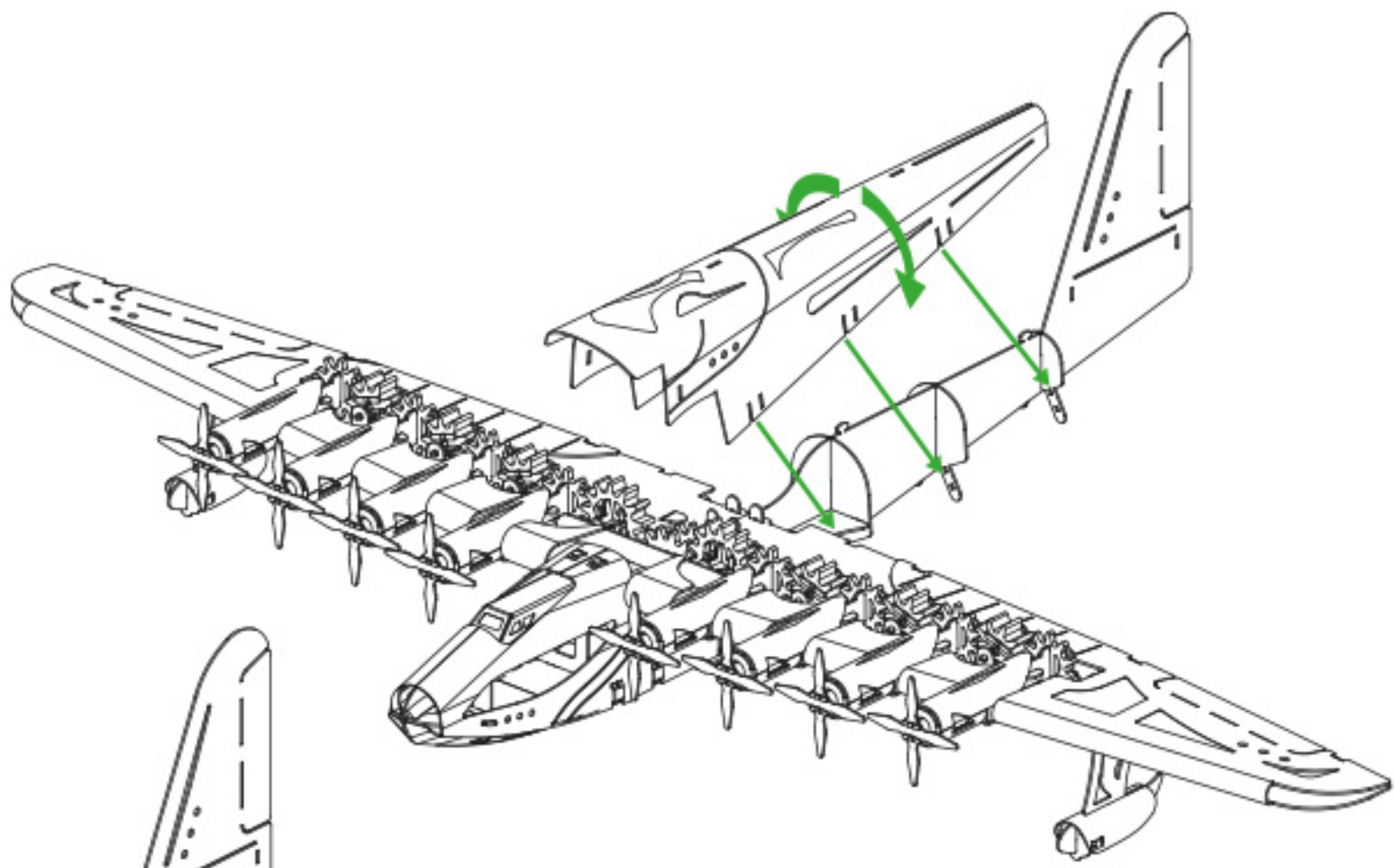


#4



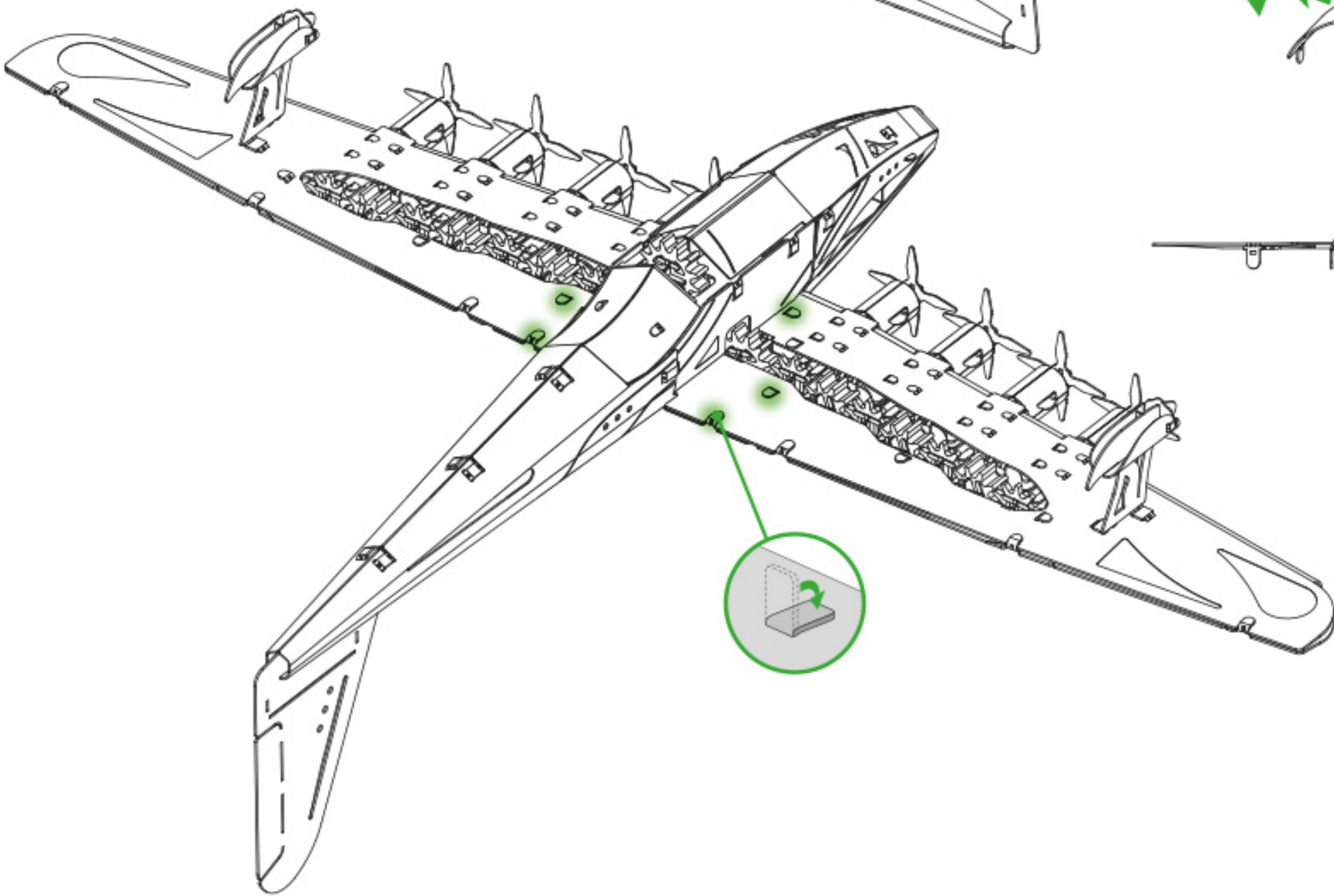
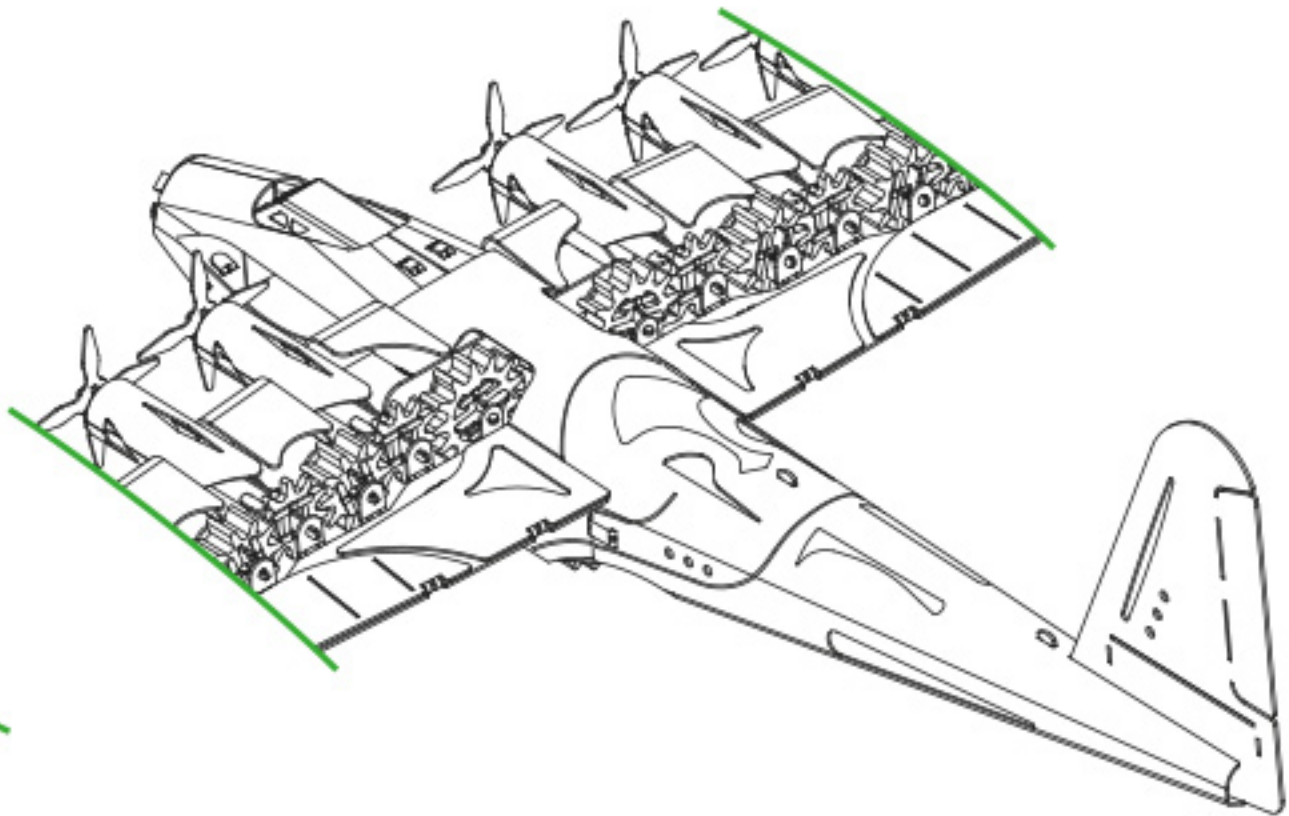
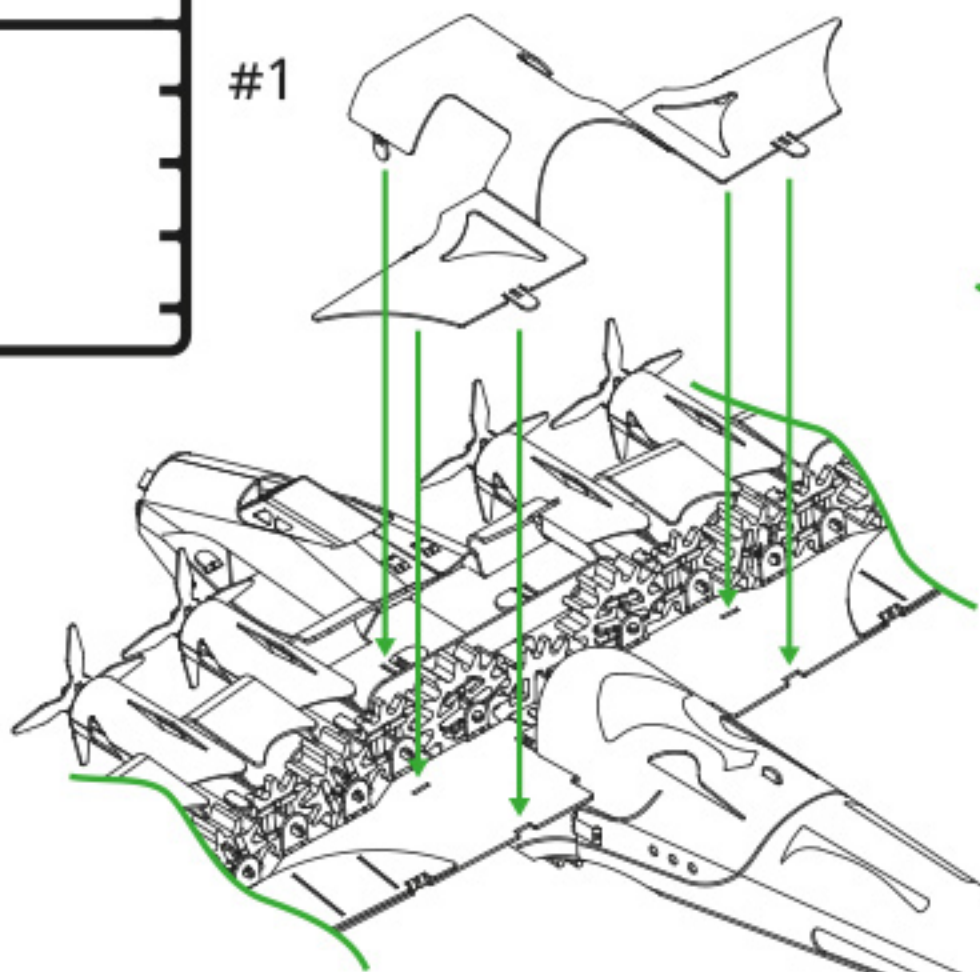


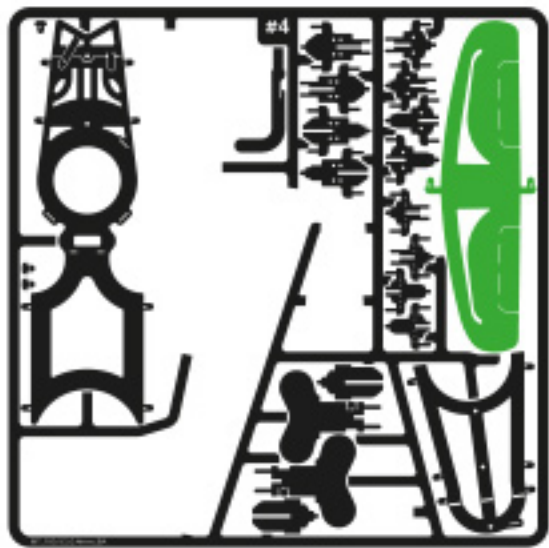
#1



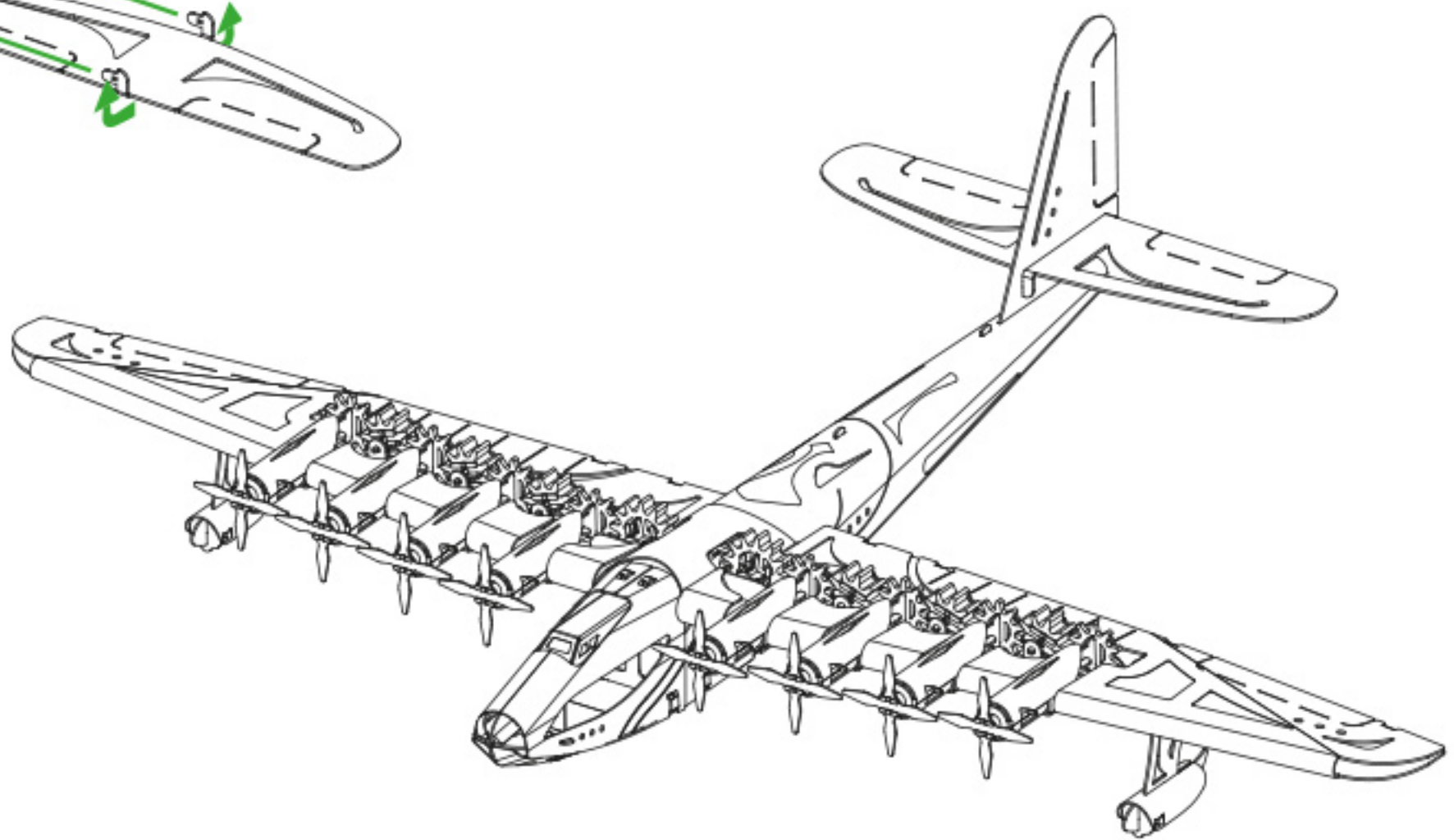
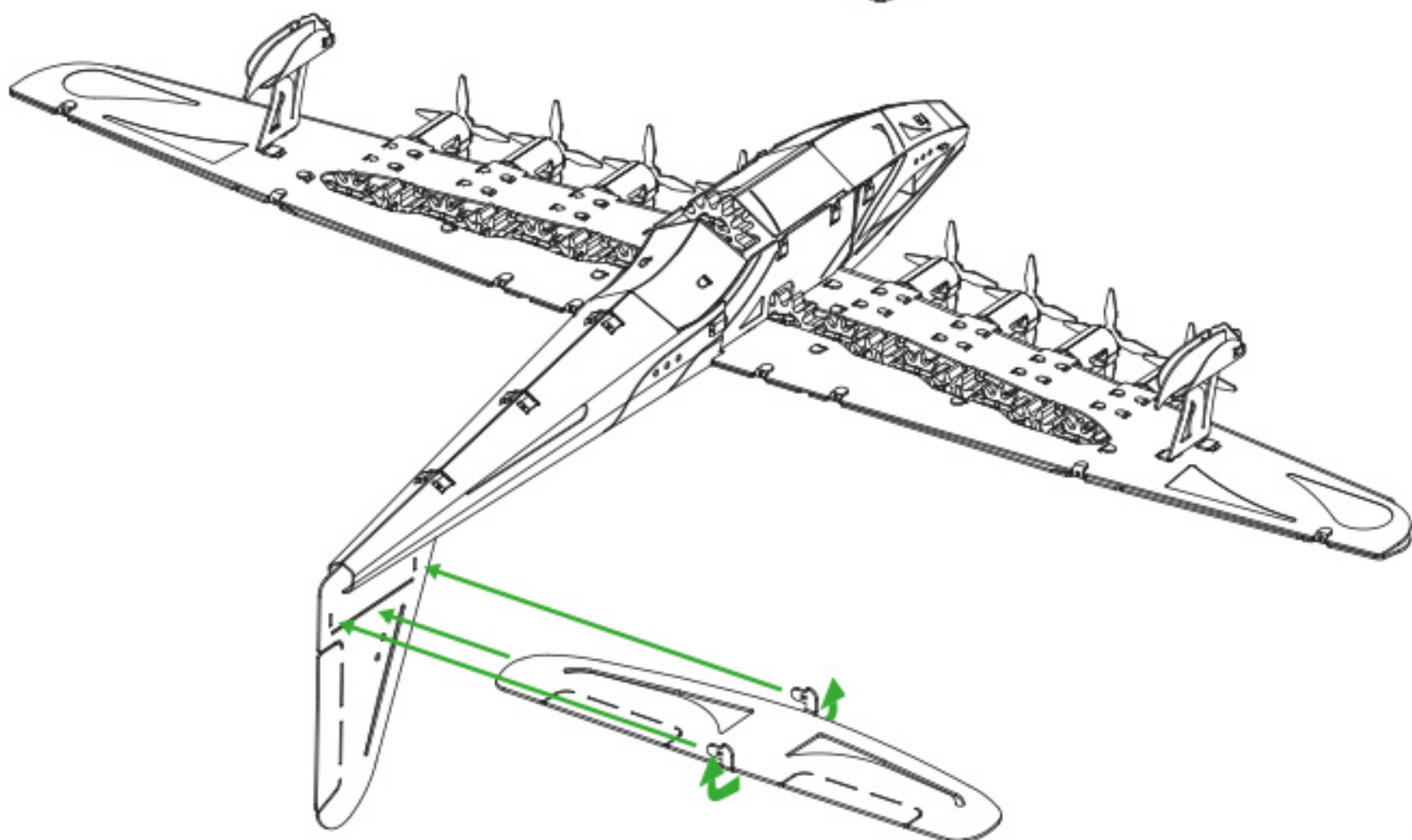
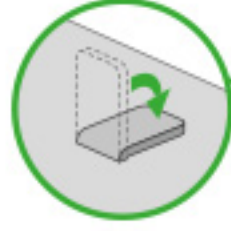
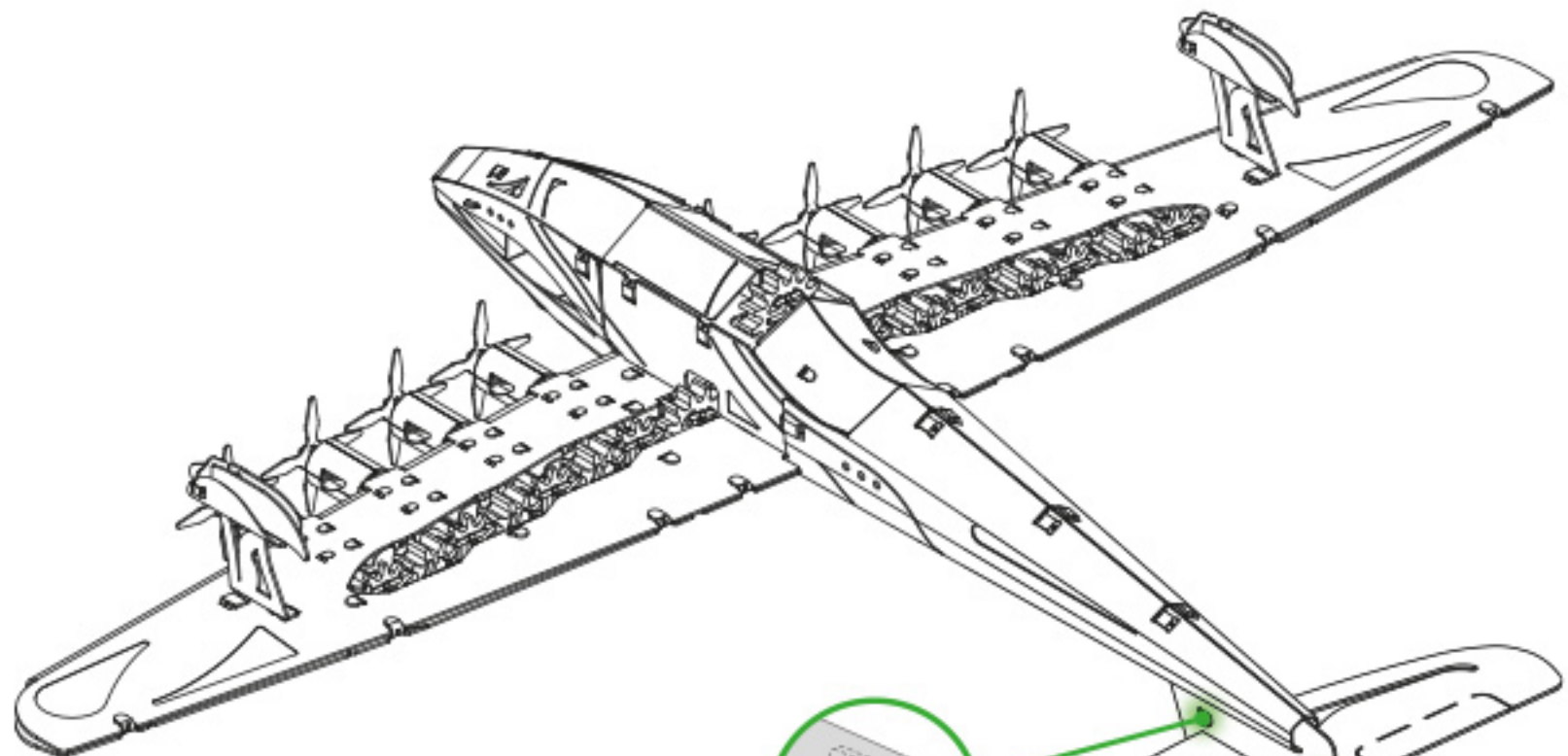


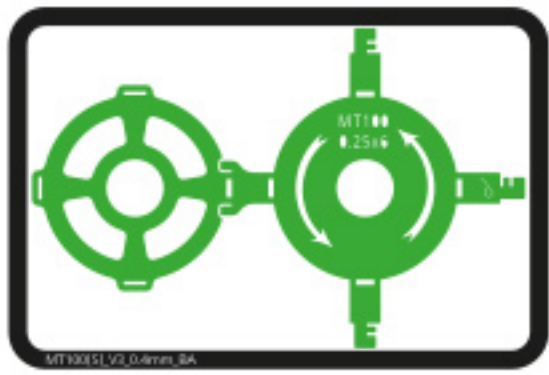
#1





#4





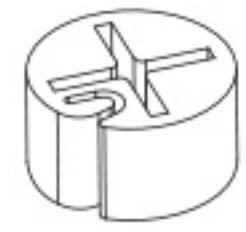
#5



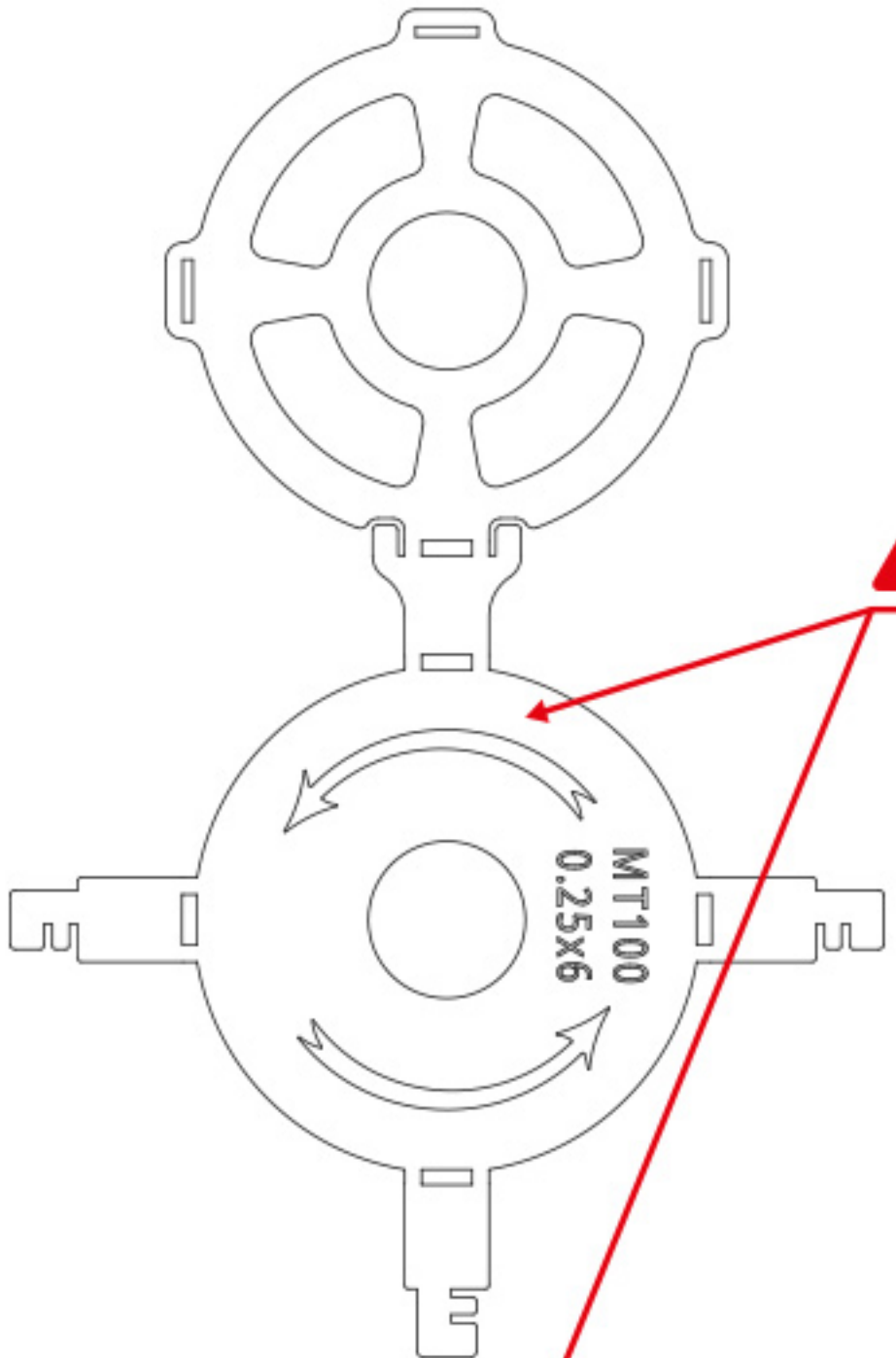
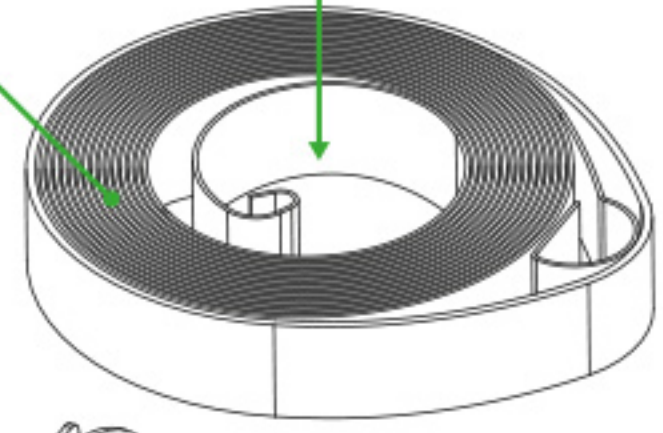
Spring



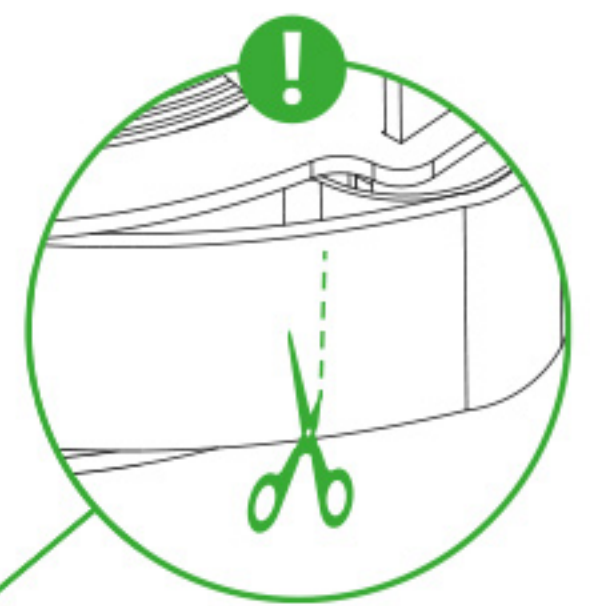
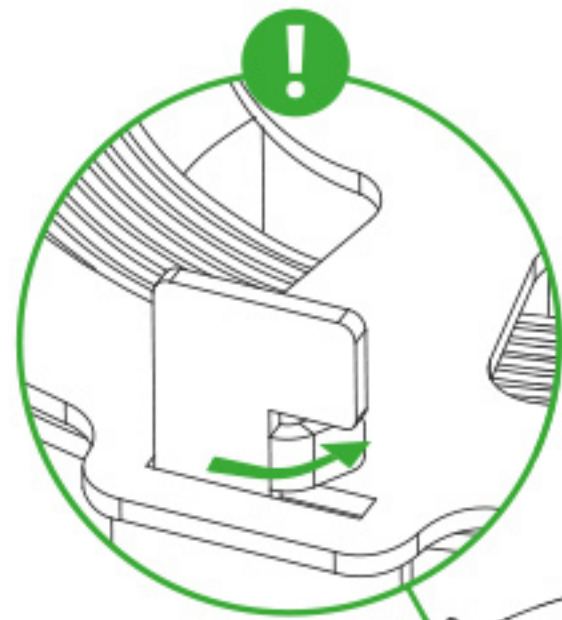
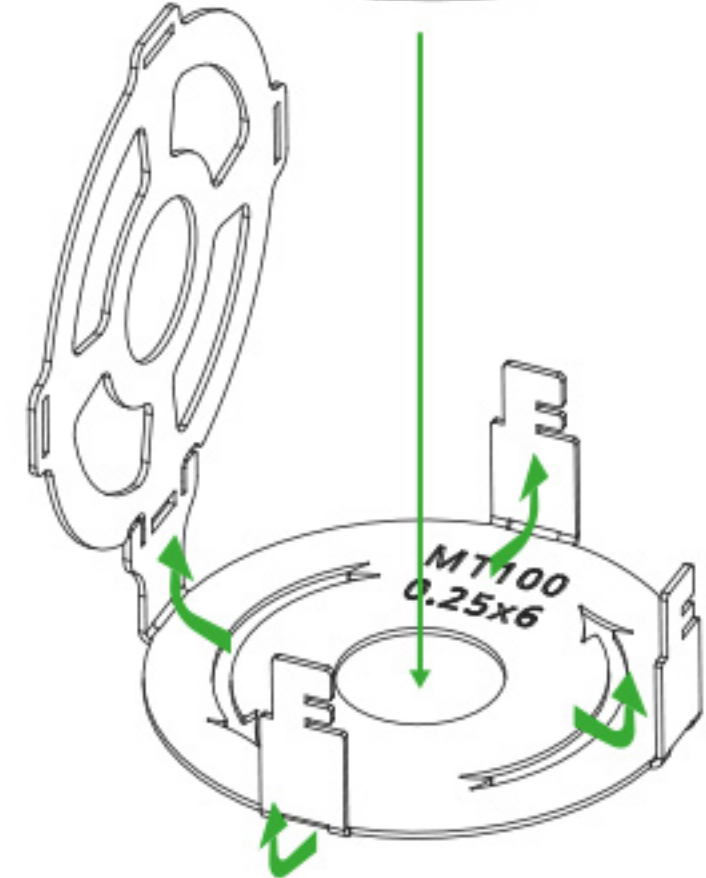
D1



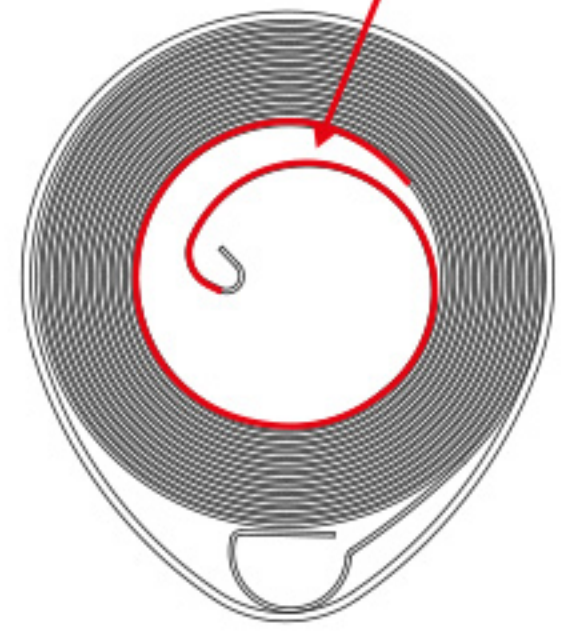
Spring

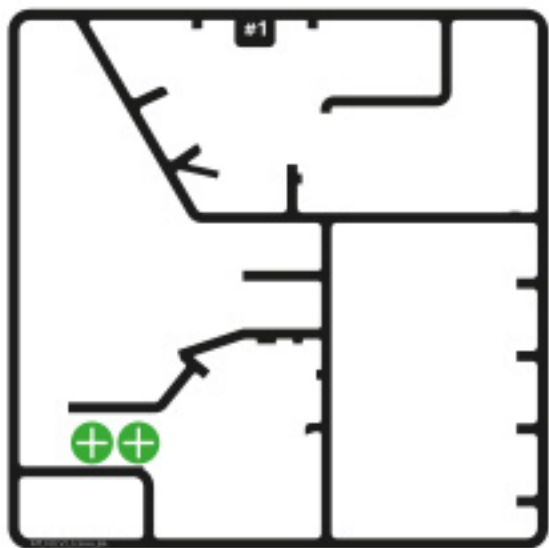


⚠ Position the part properly as seen in the image



Cut the band after assembly

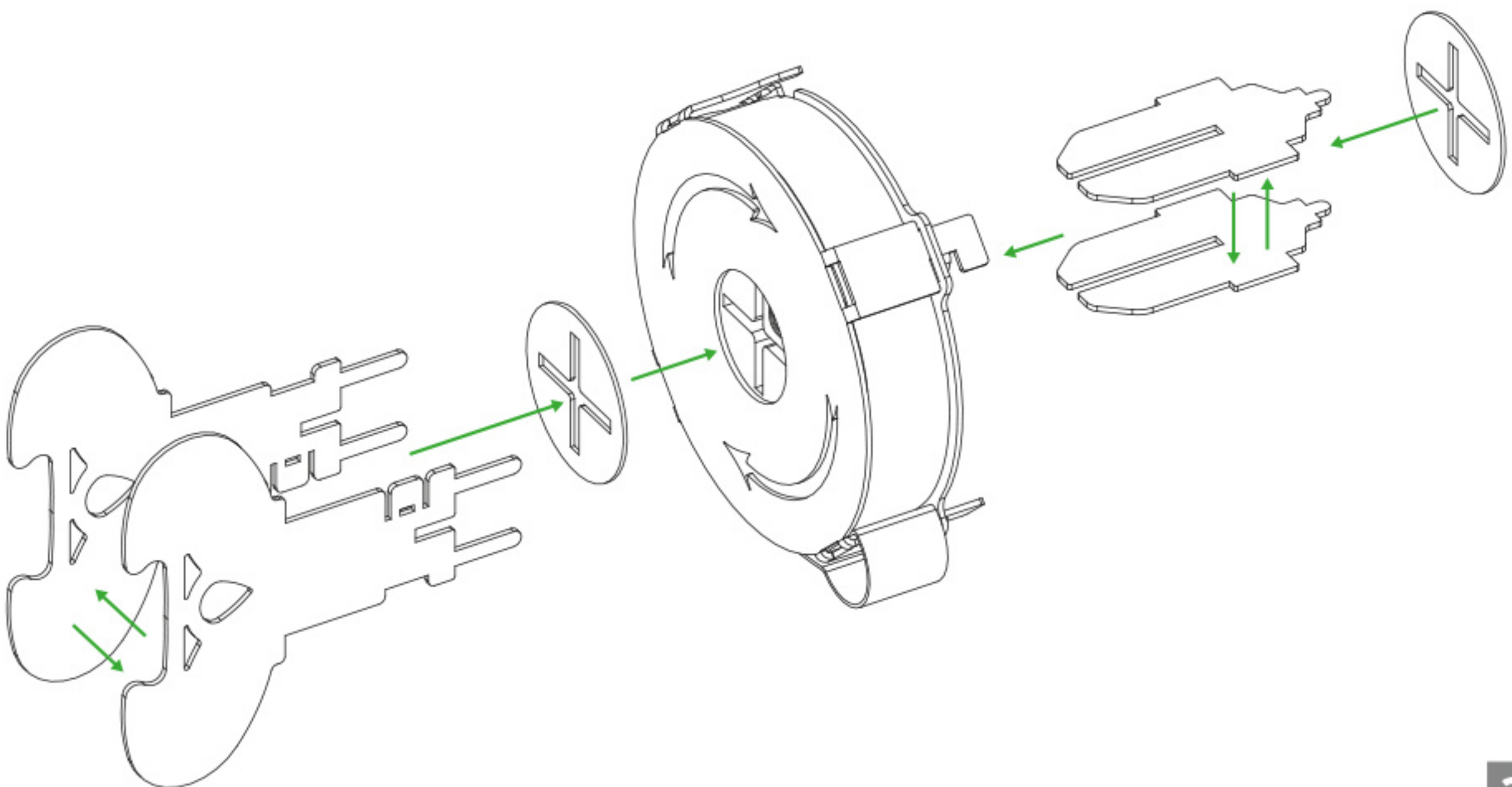
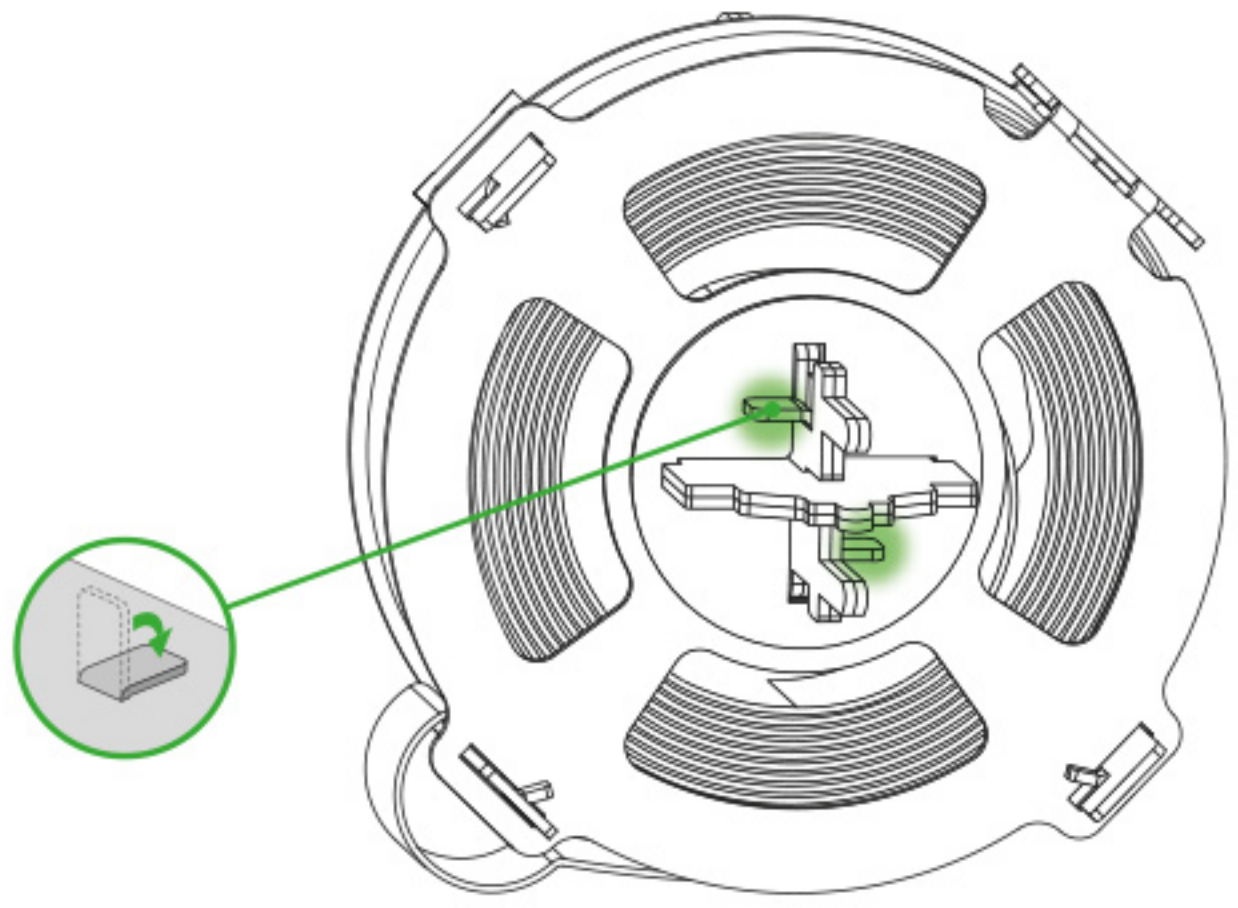


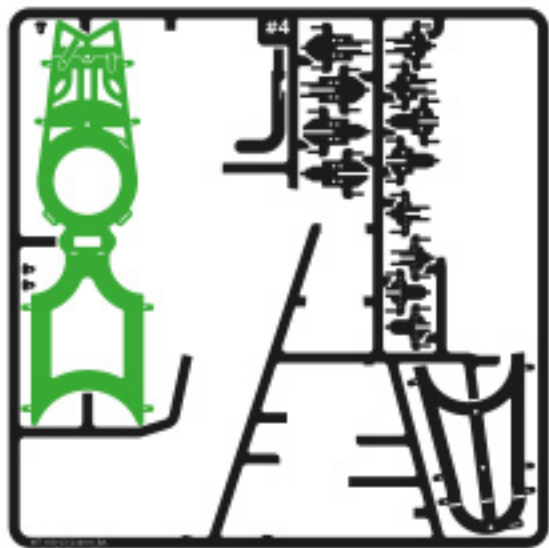


#1

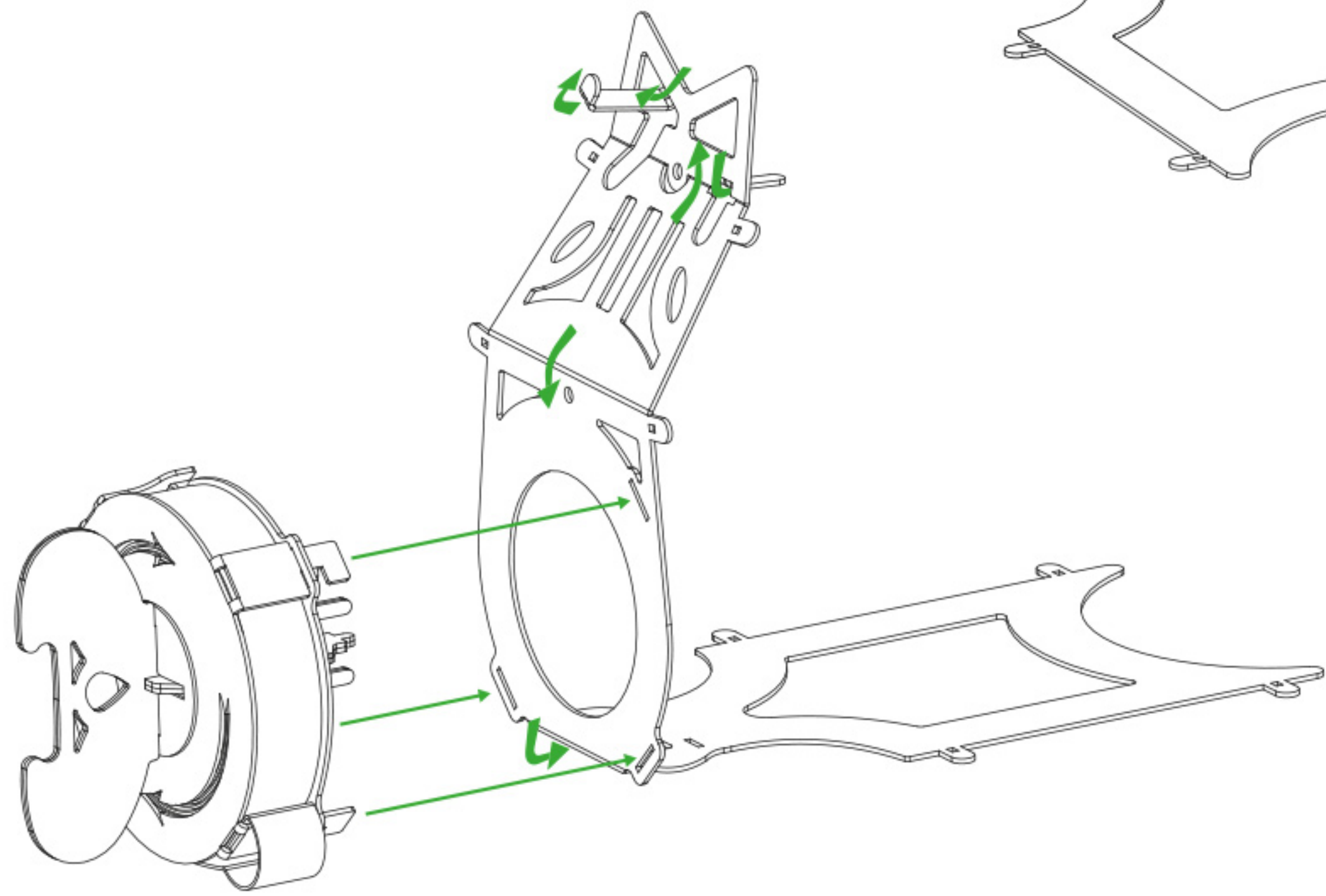
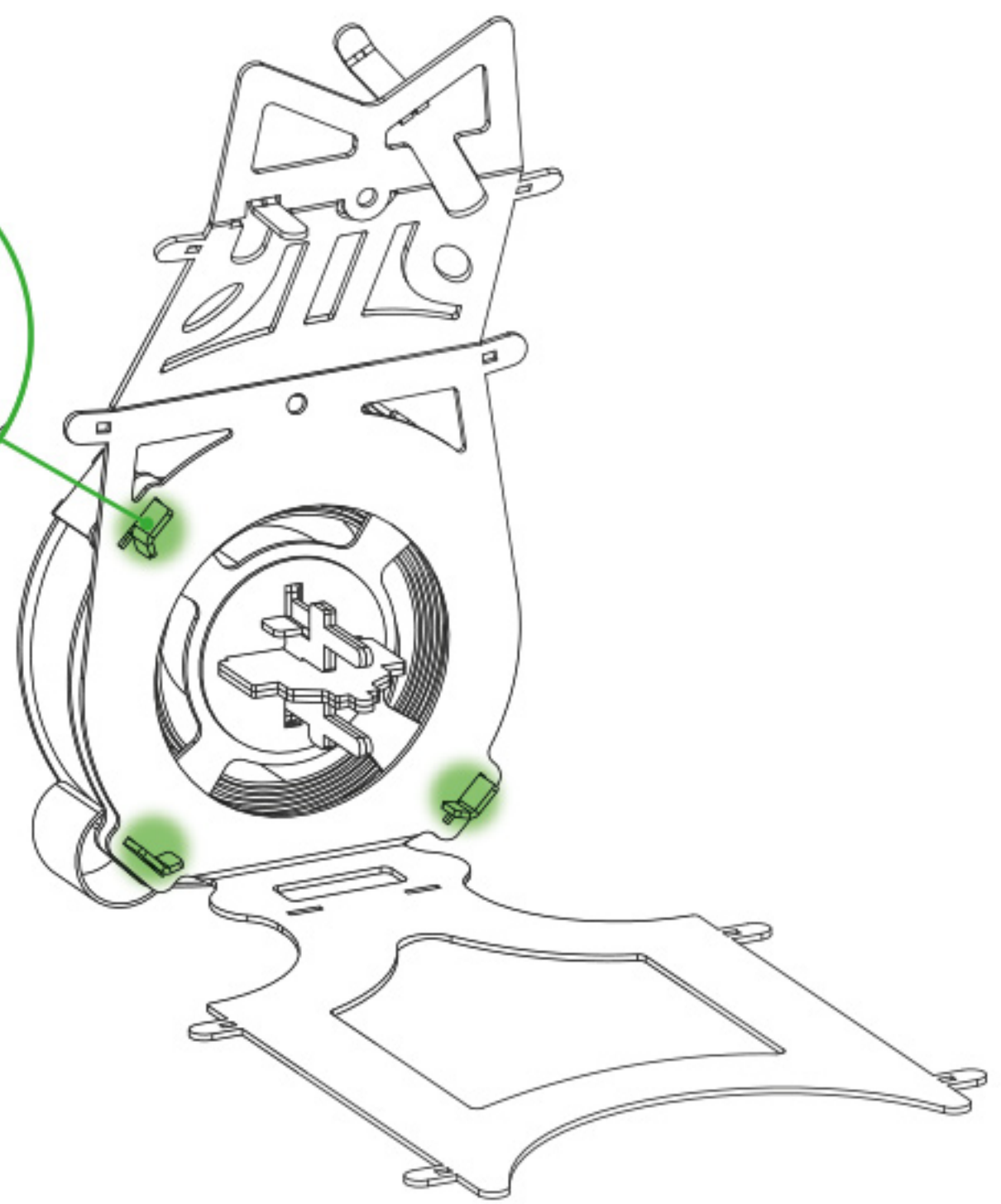


#4



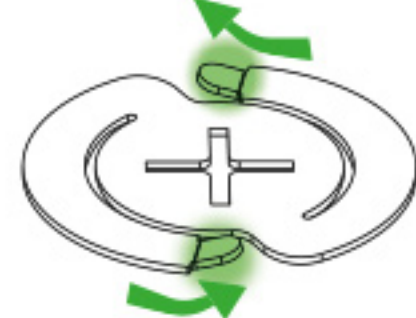
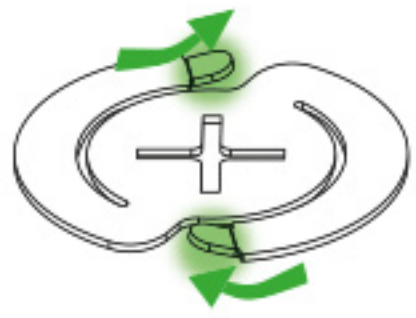


#4

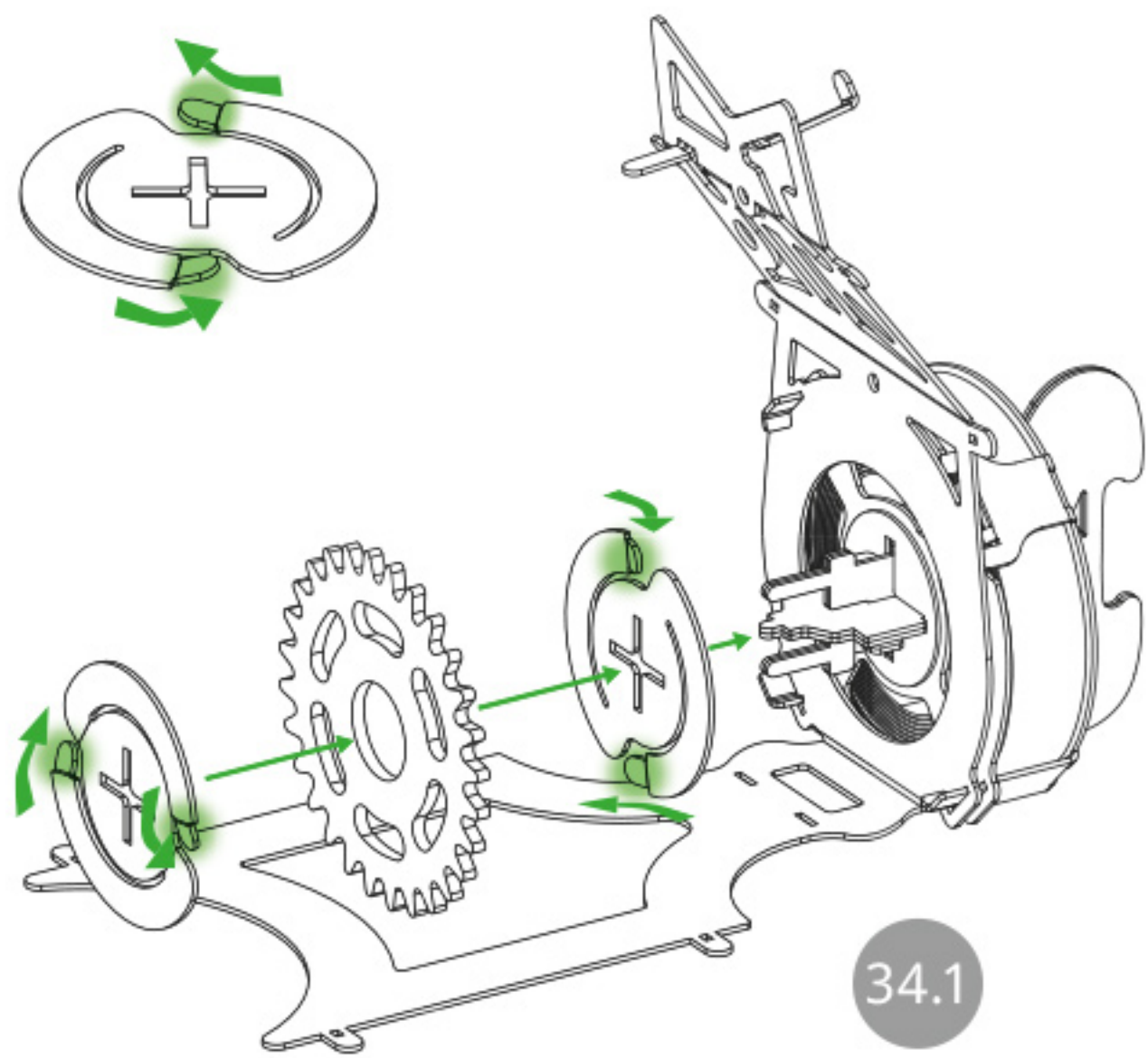




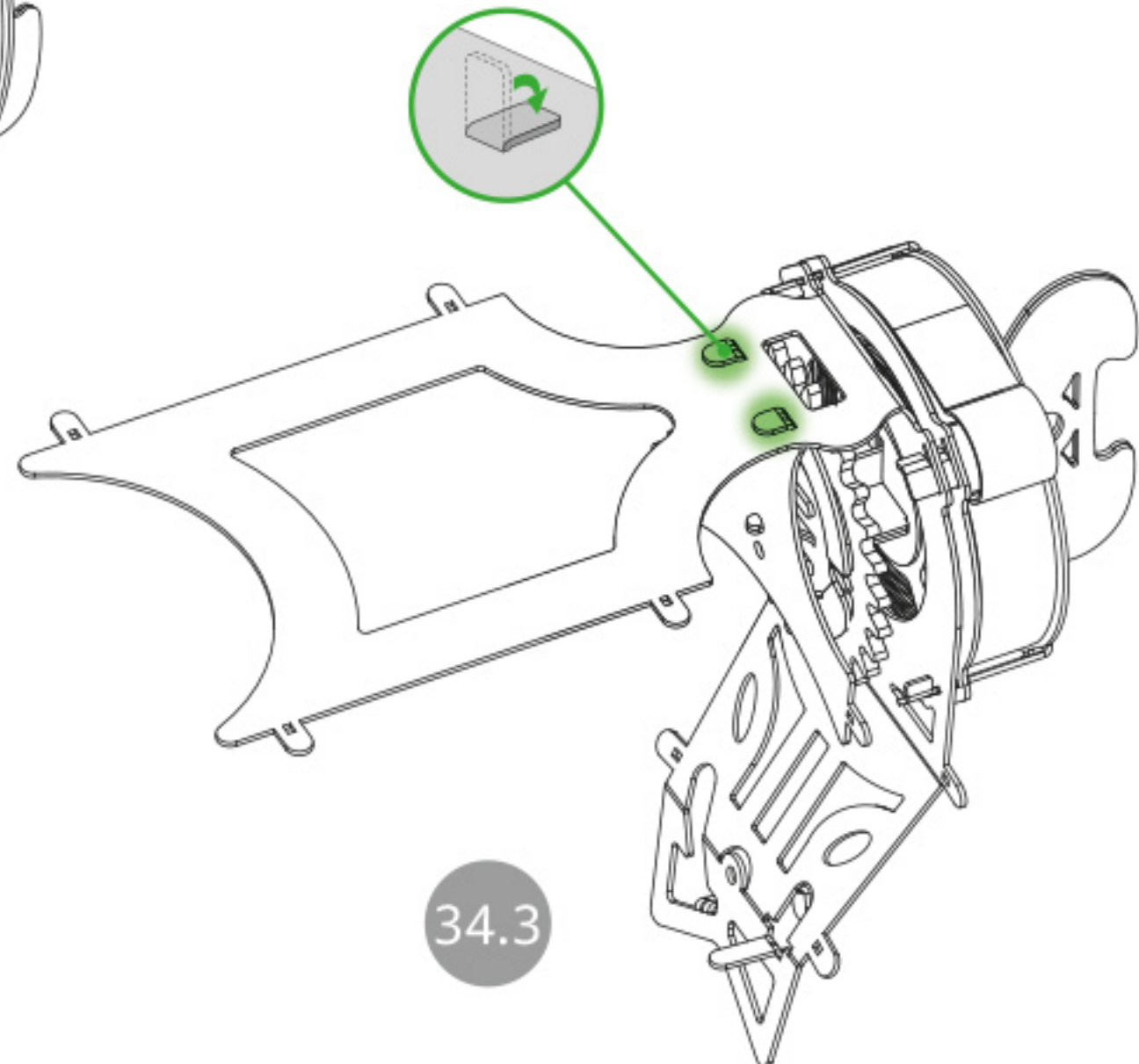
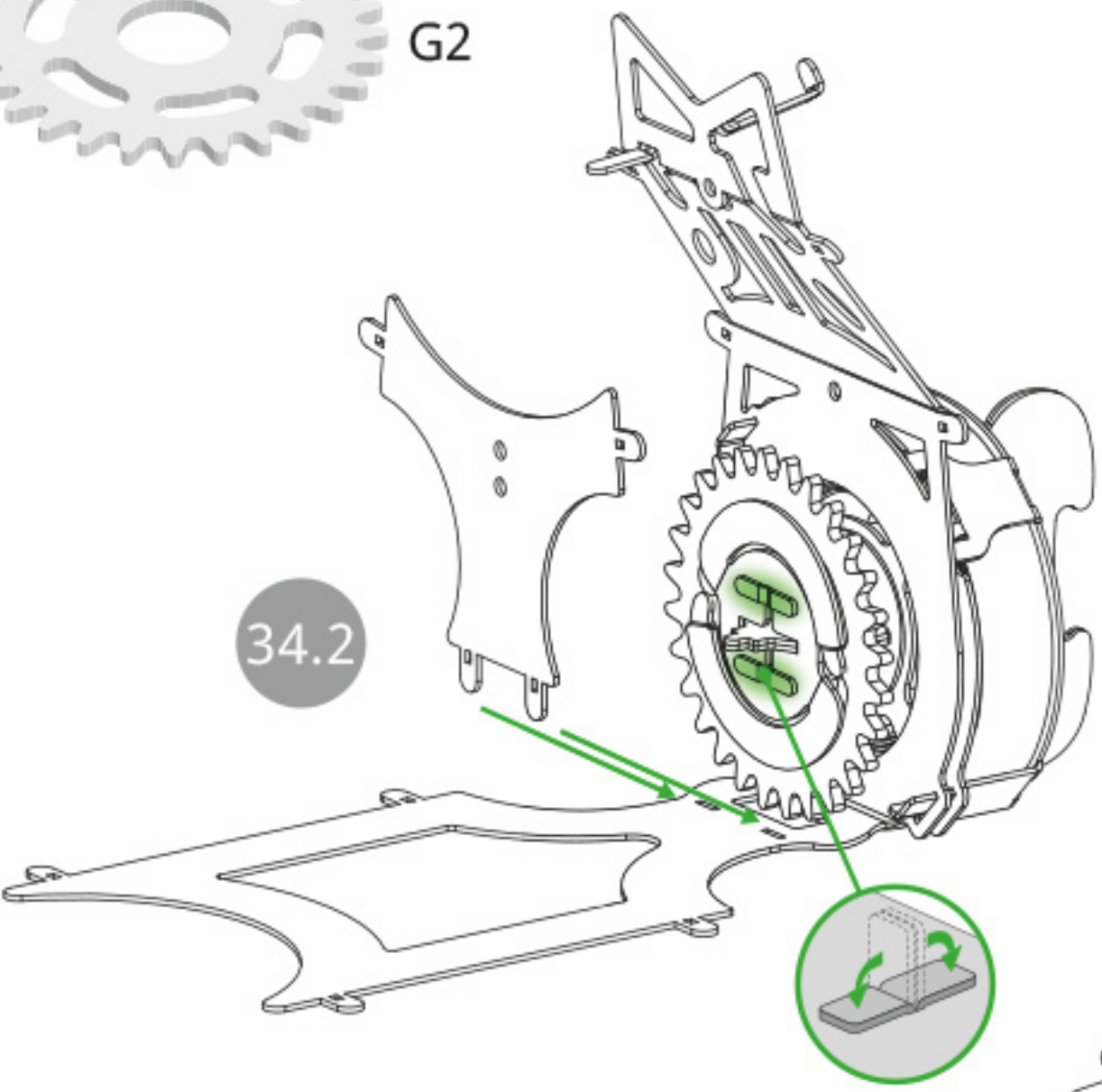
#3



G2

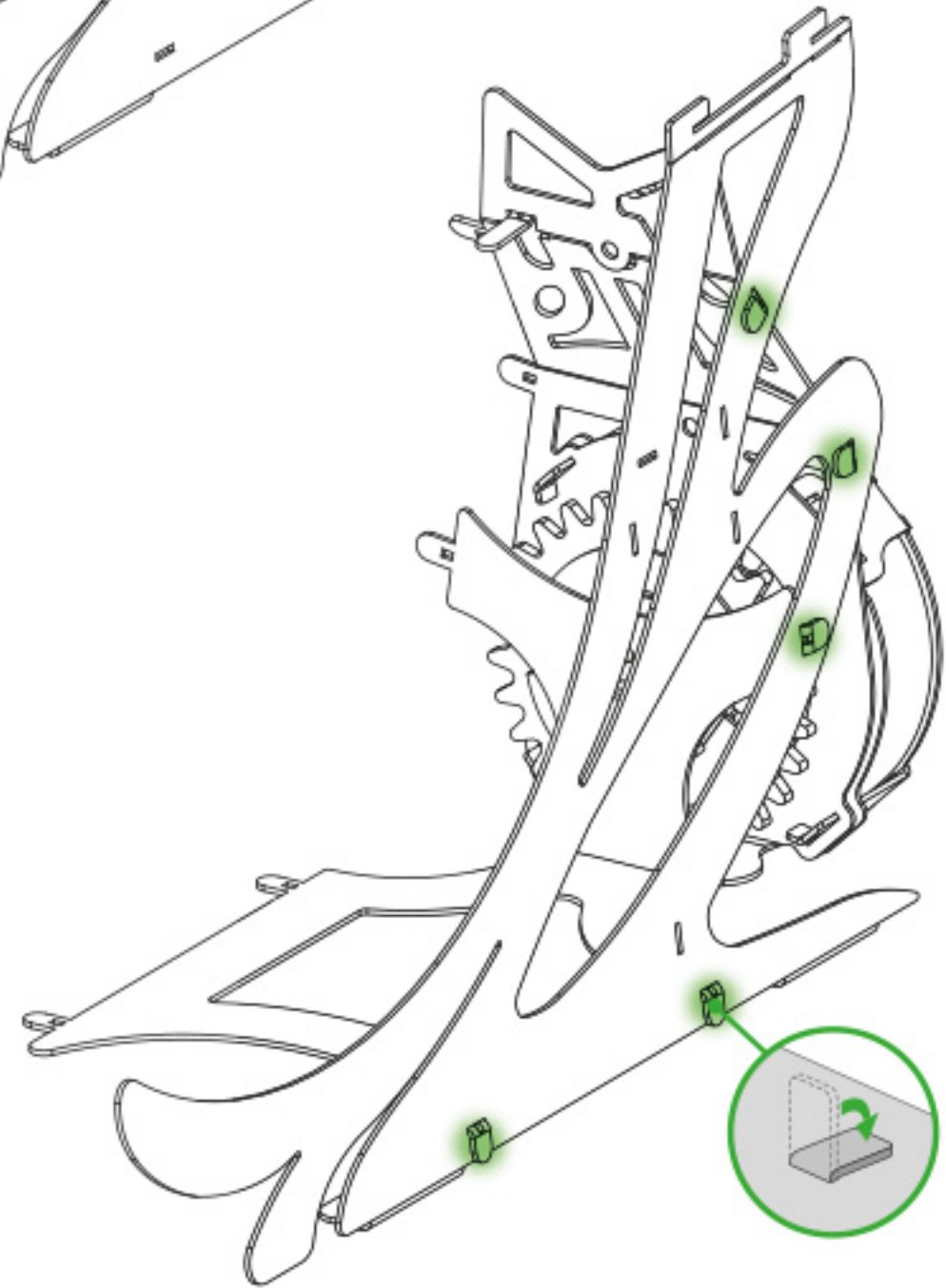
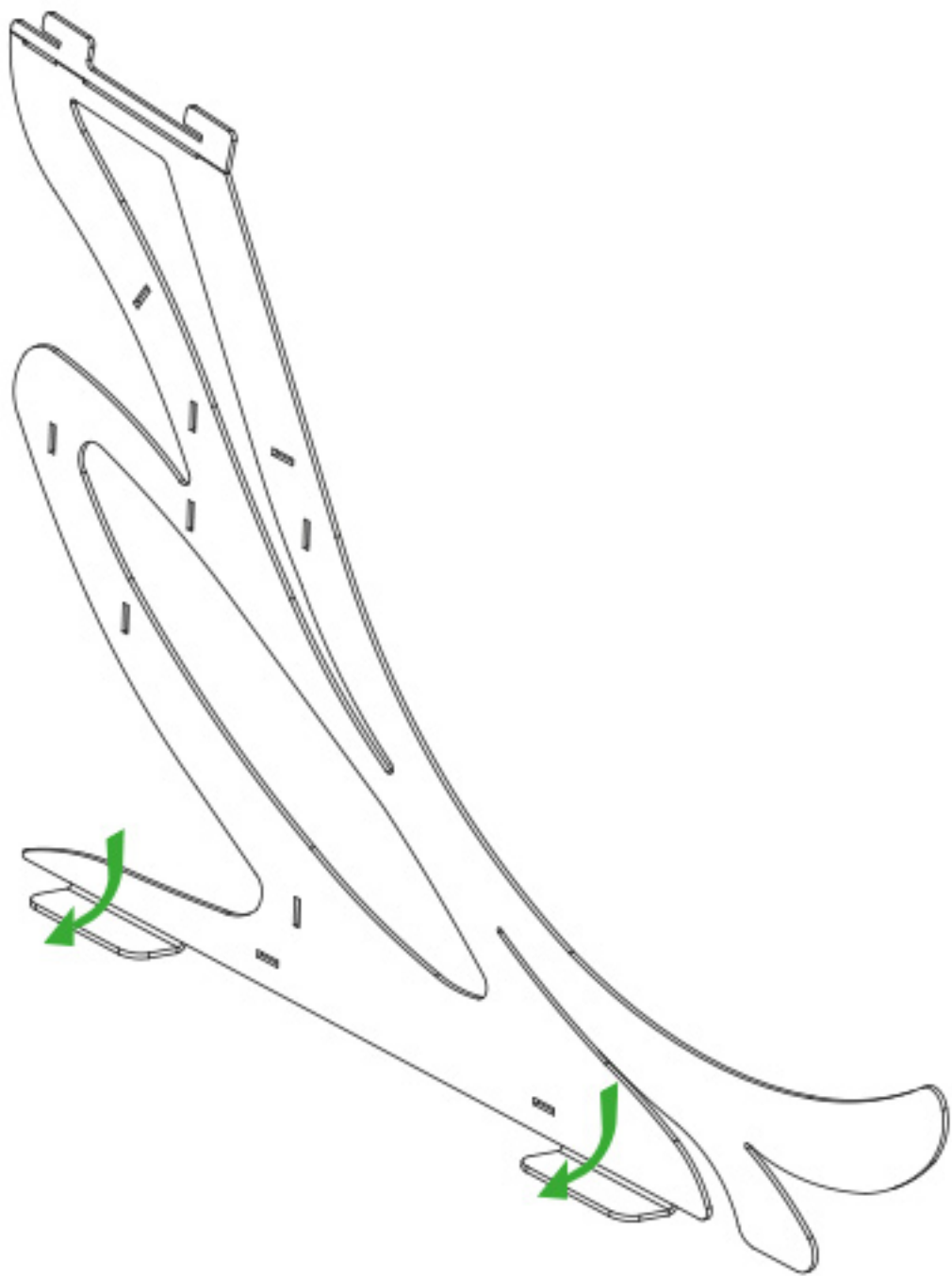
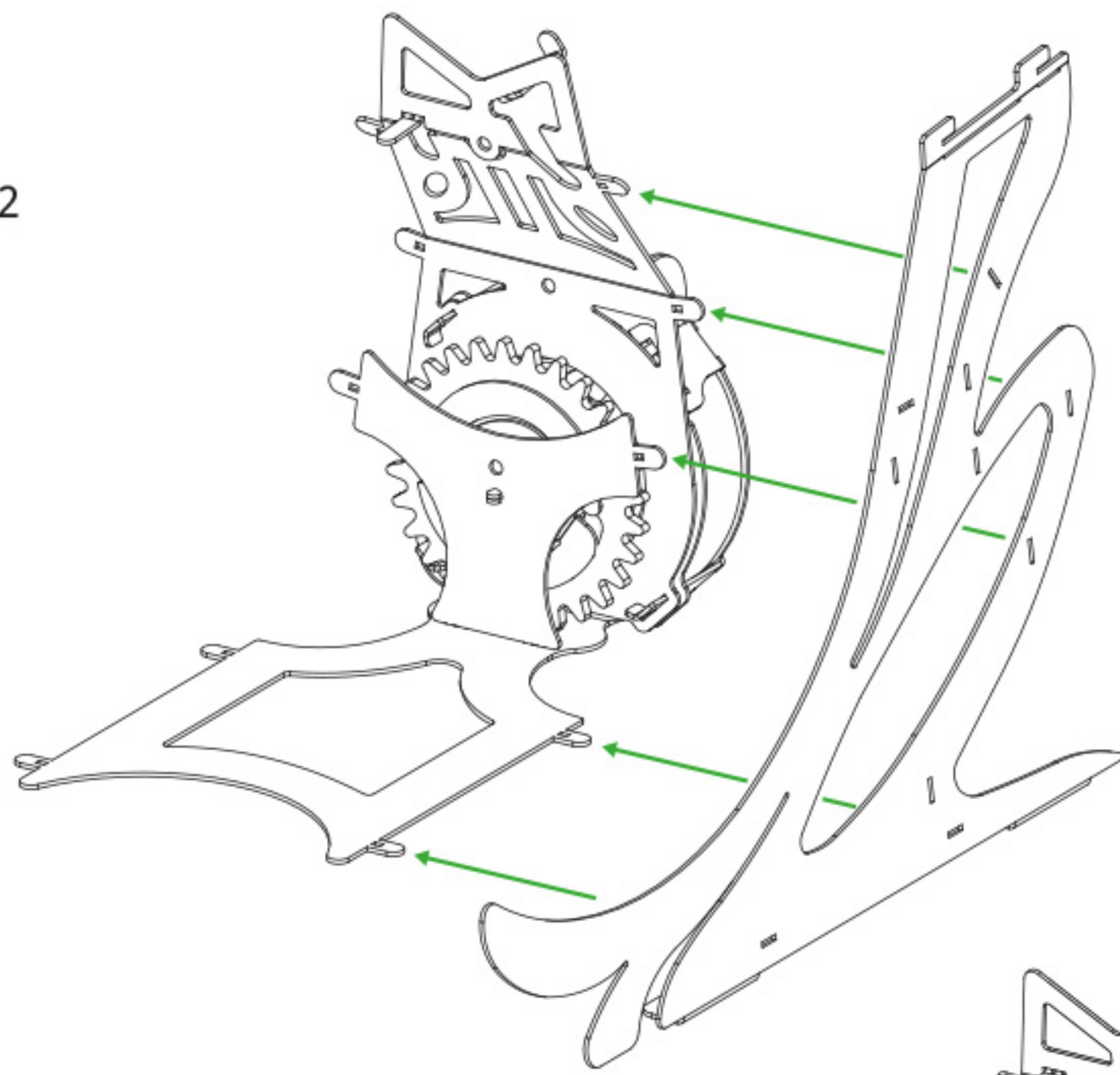


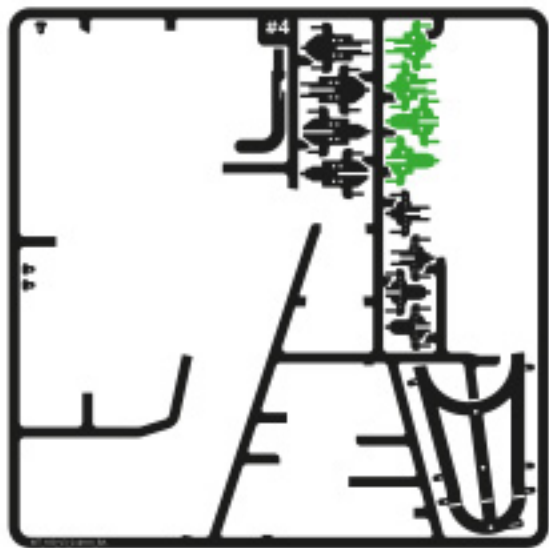
34.2



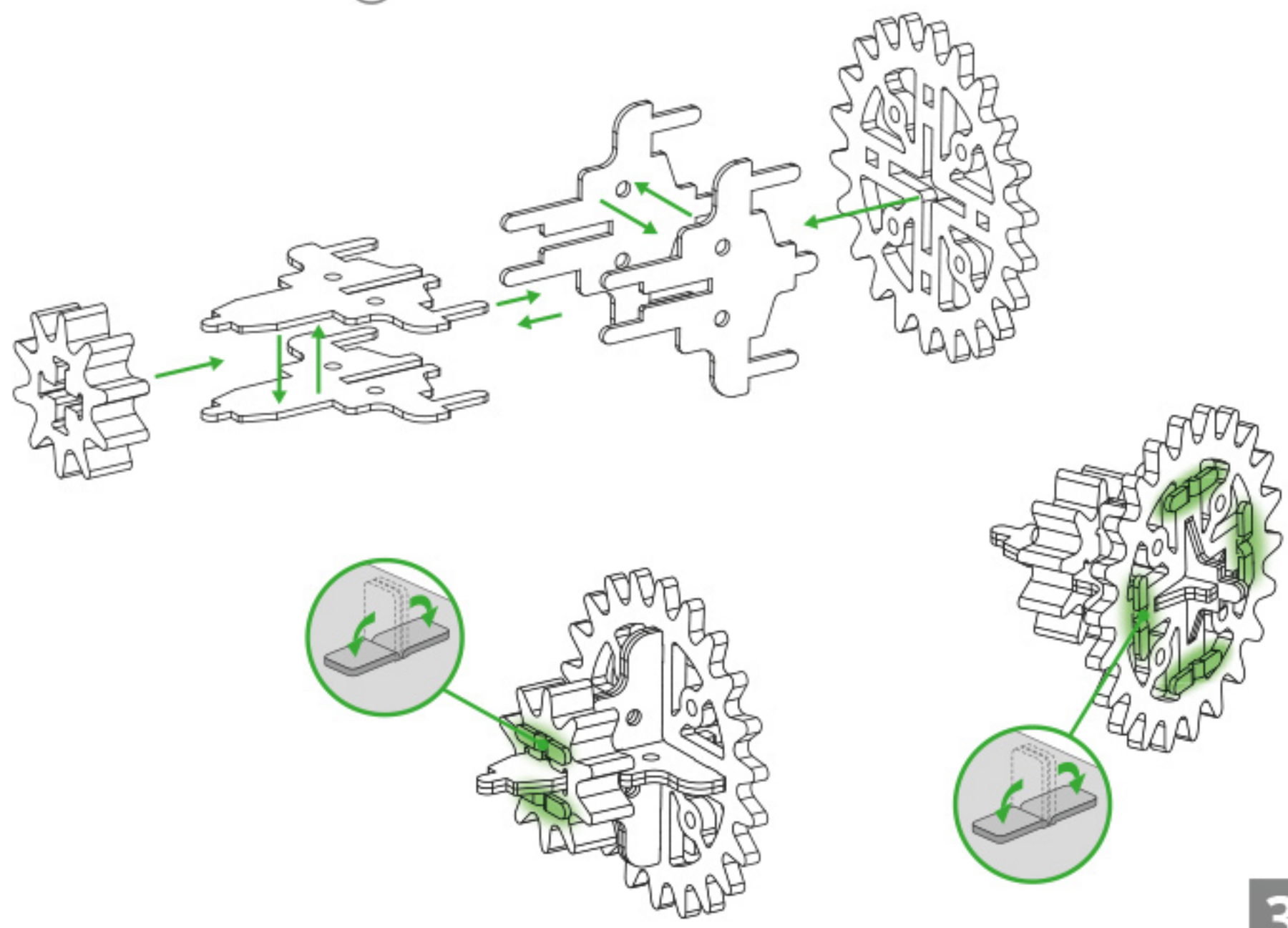
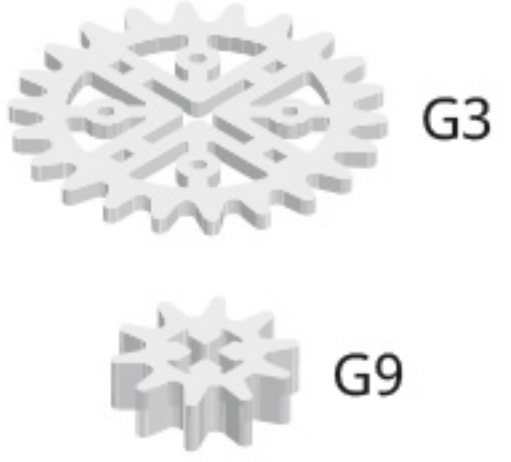


#2

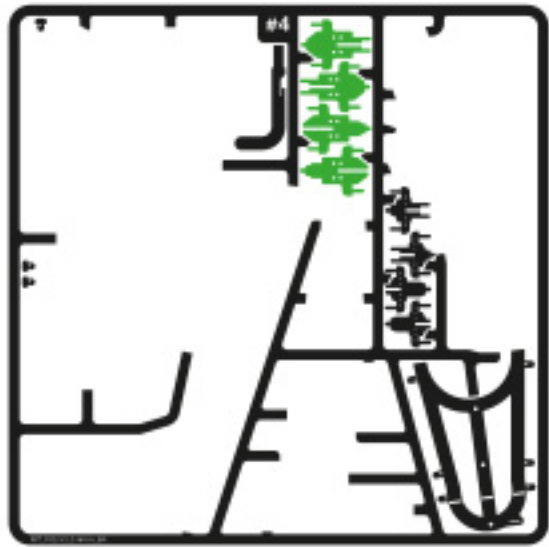




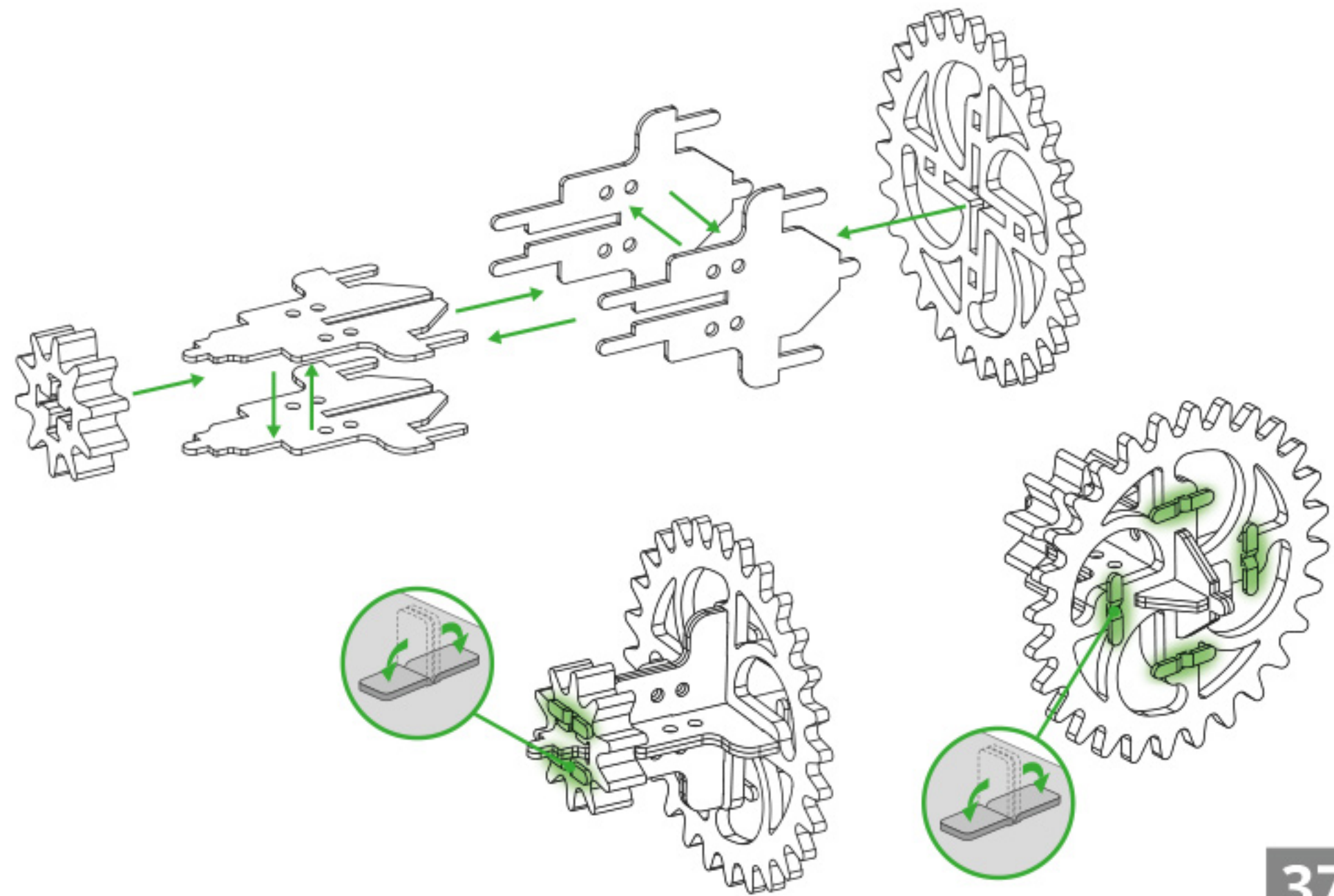
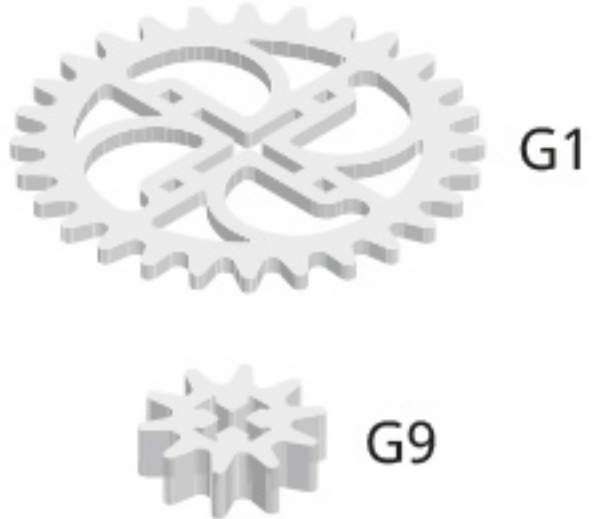
#4



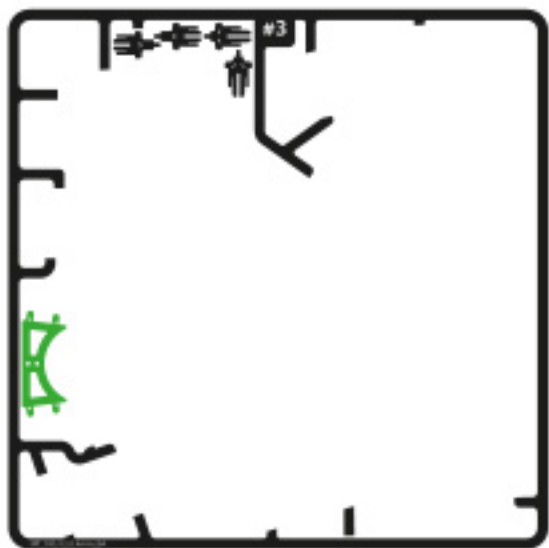
36



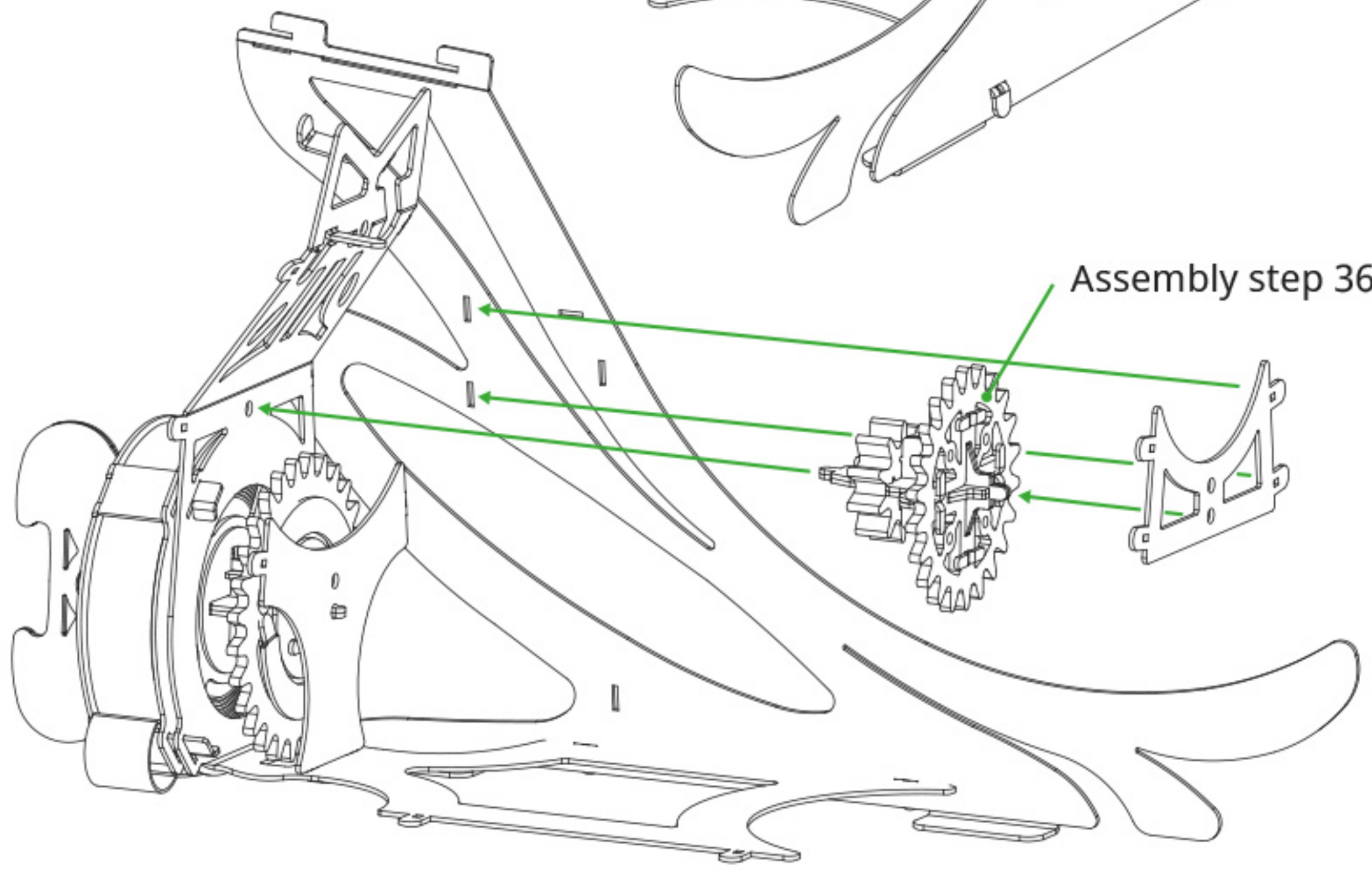
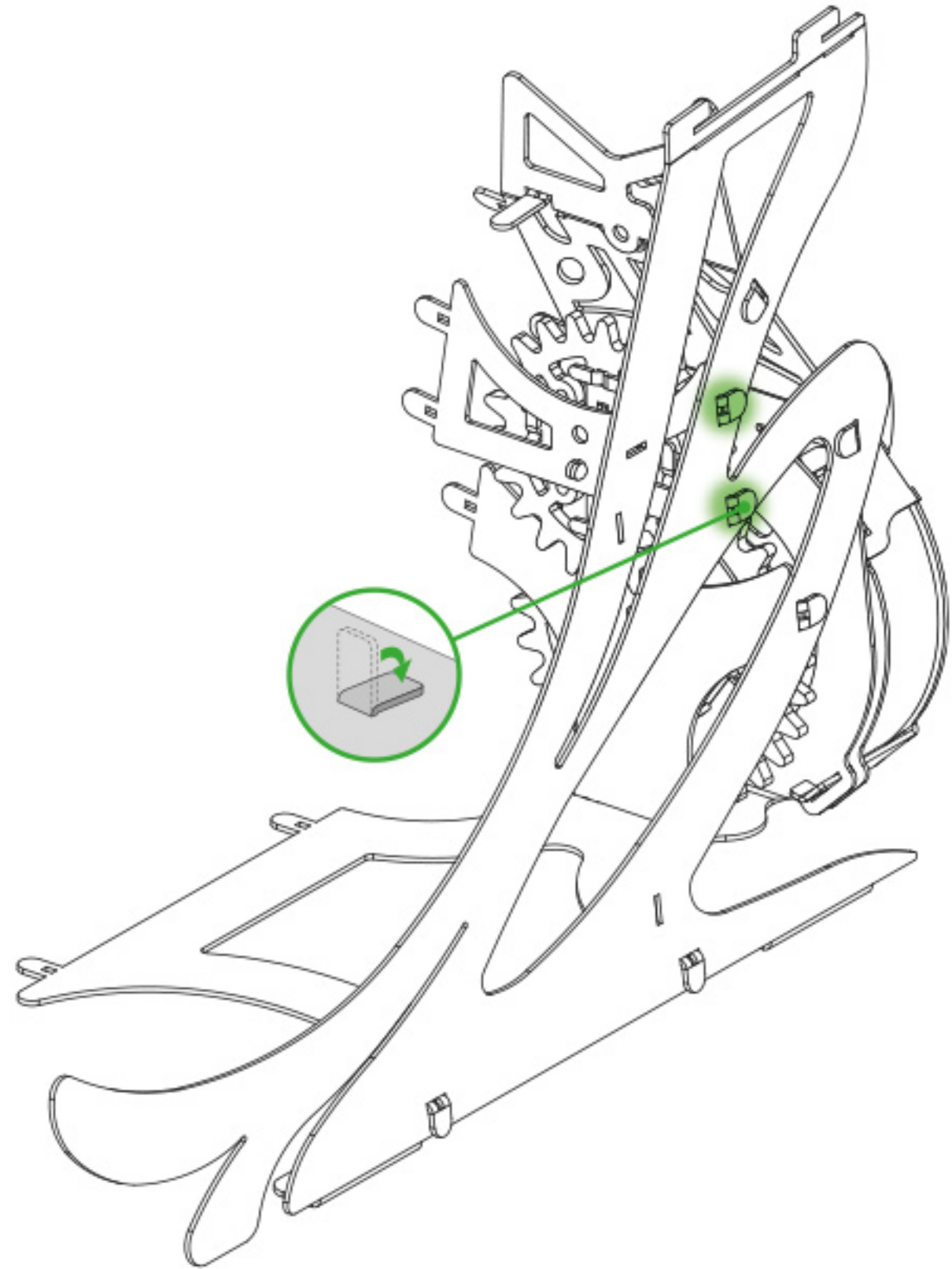
#4



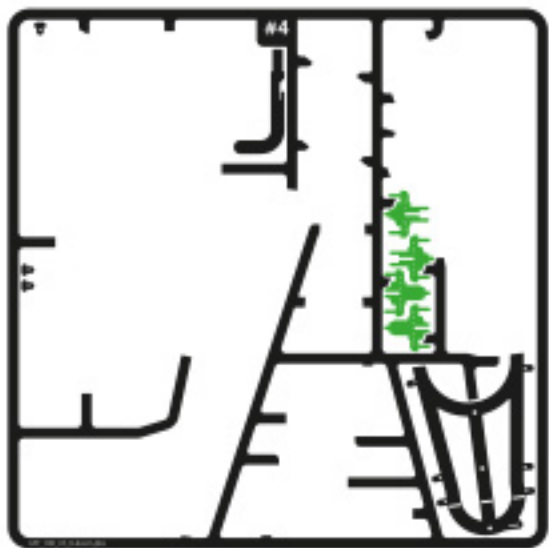
37



#3



Assembly step 36



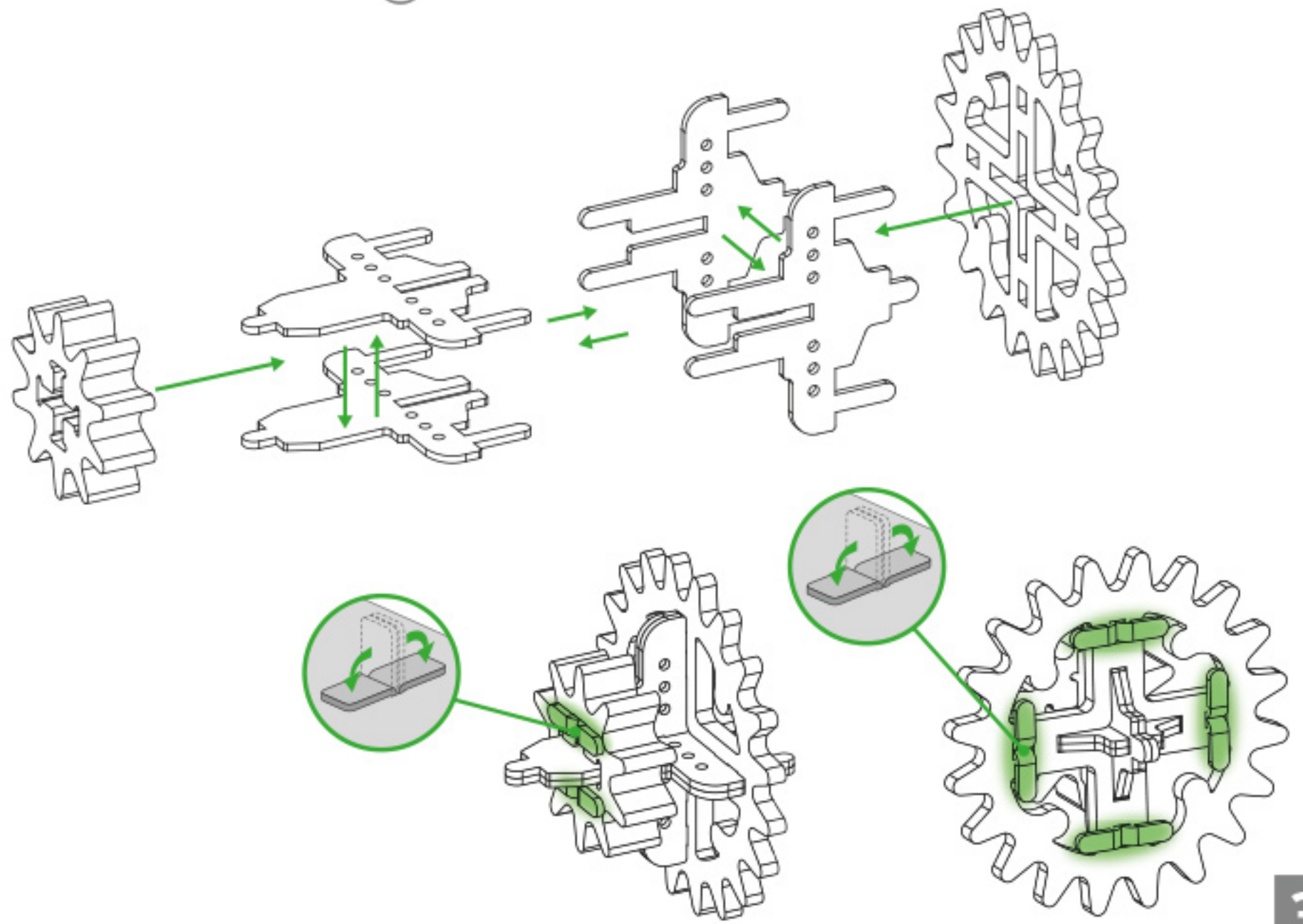
#4



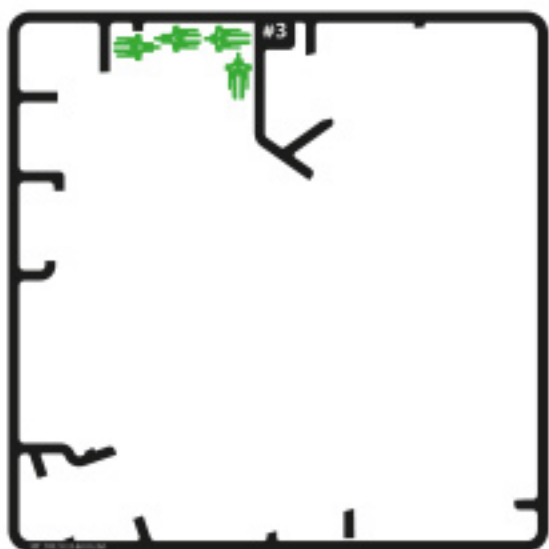
G4



G9



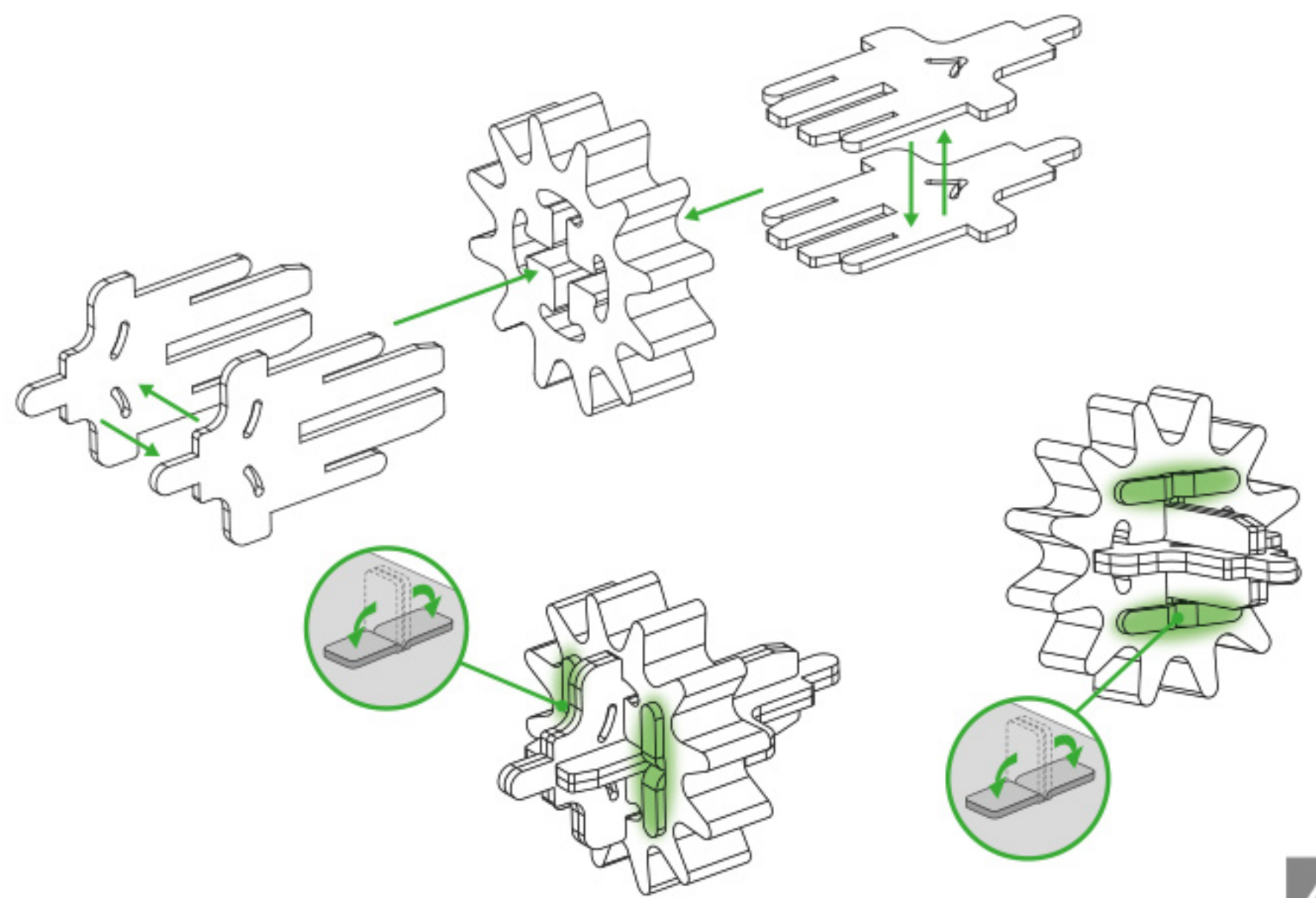
39



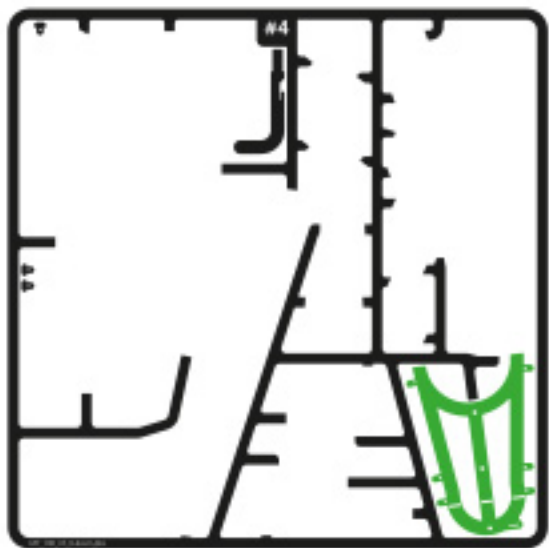
#3



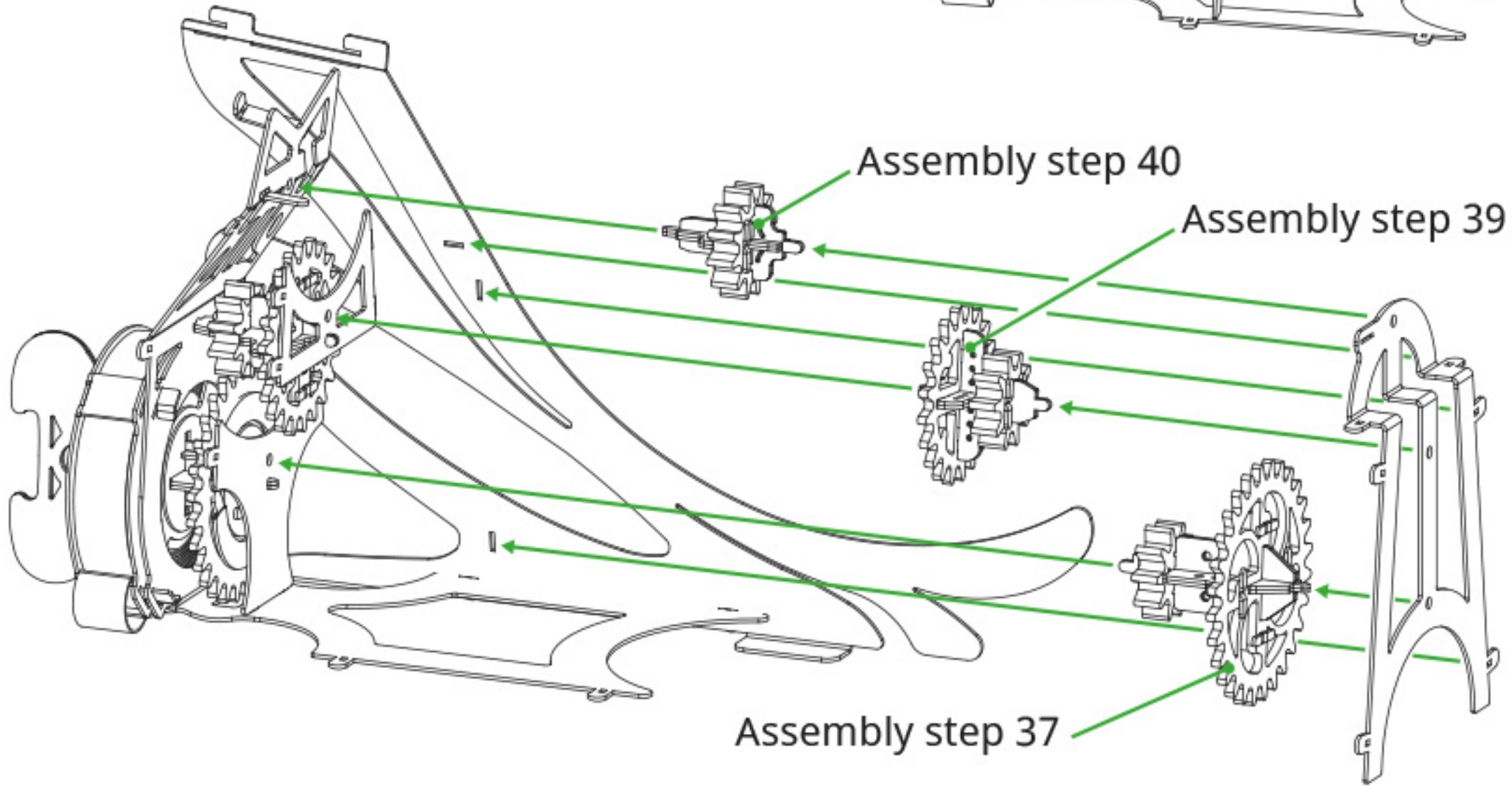
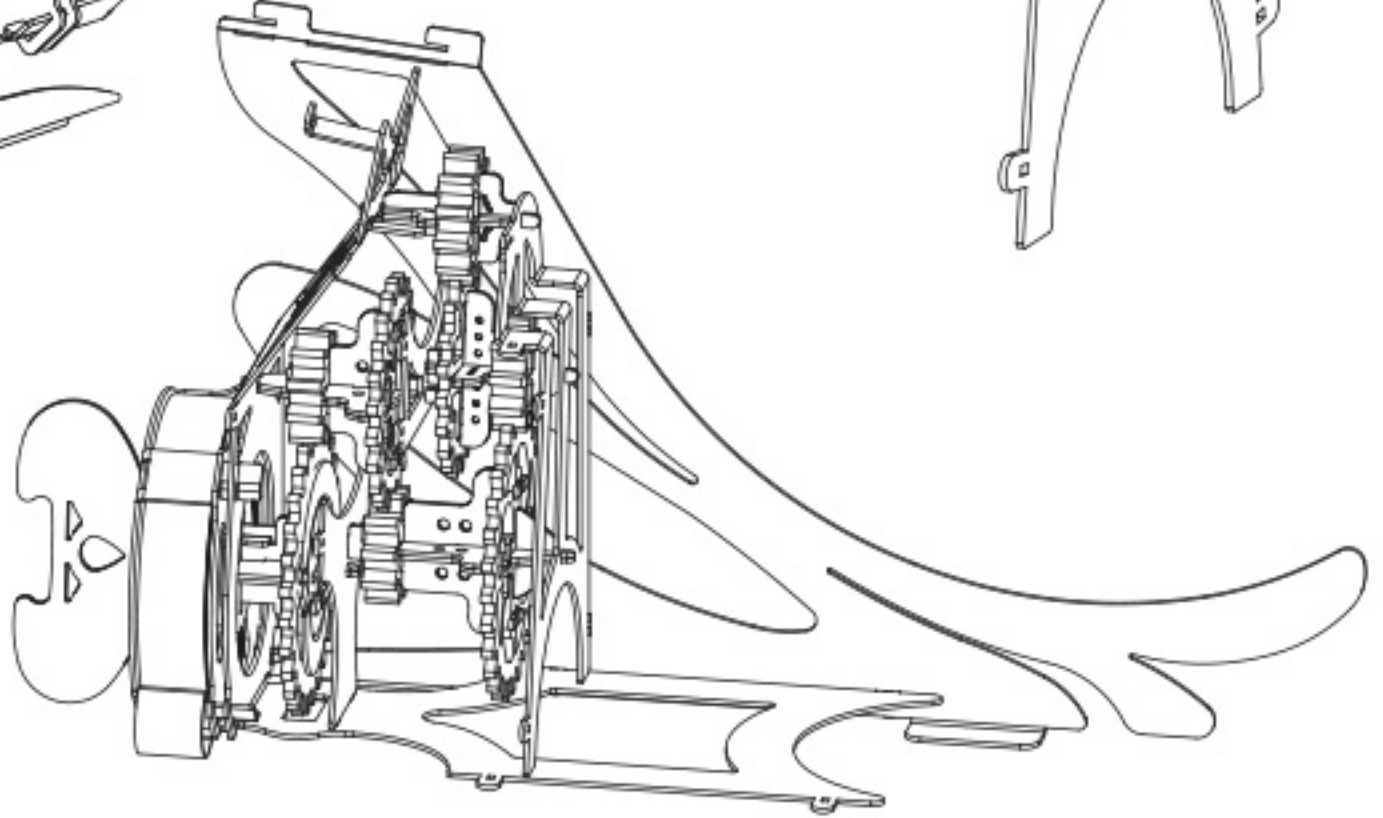
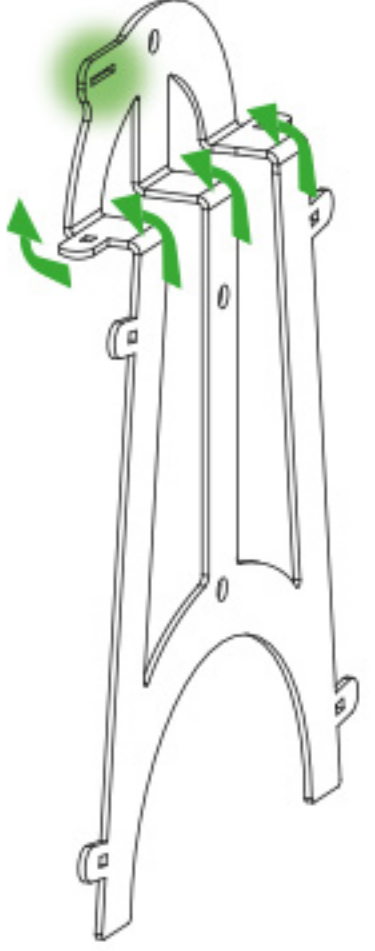
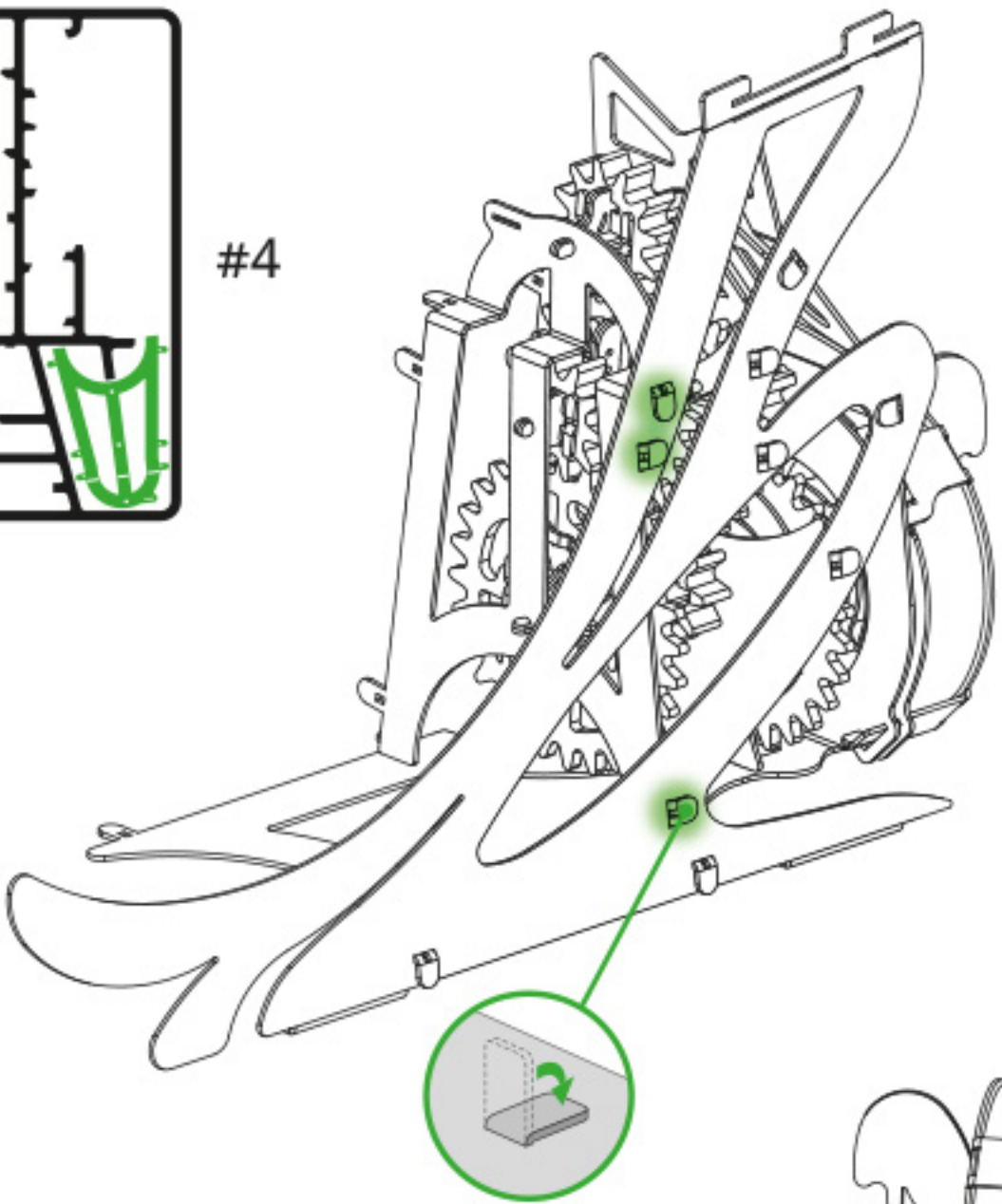
G8

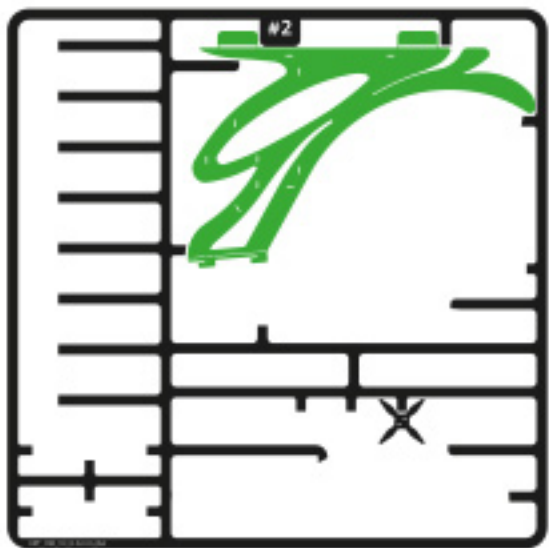


40

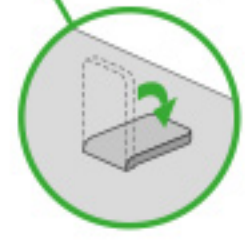
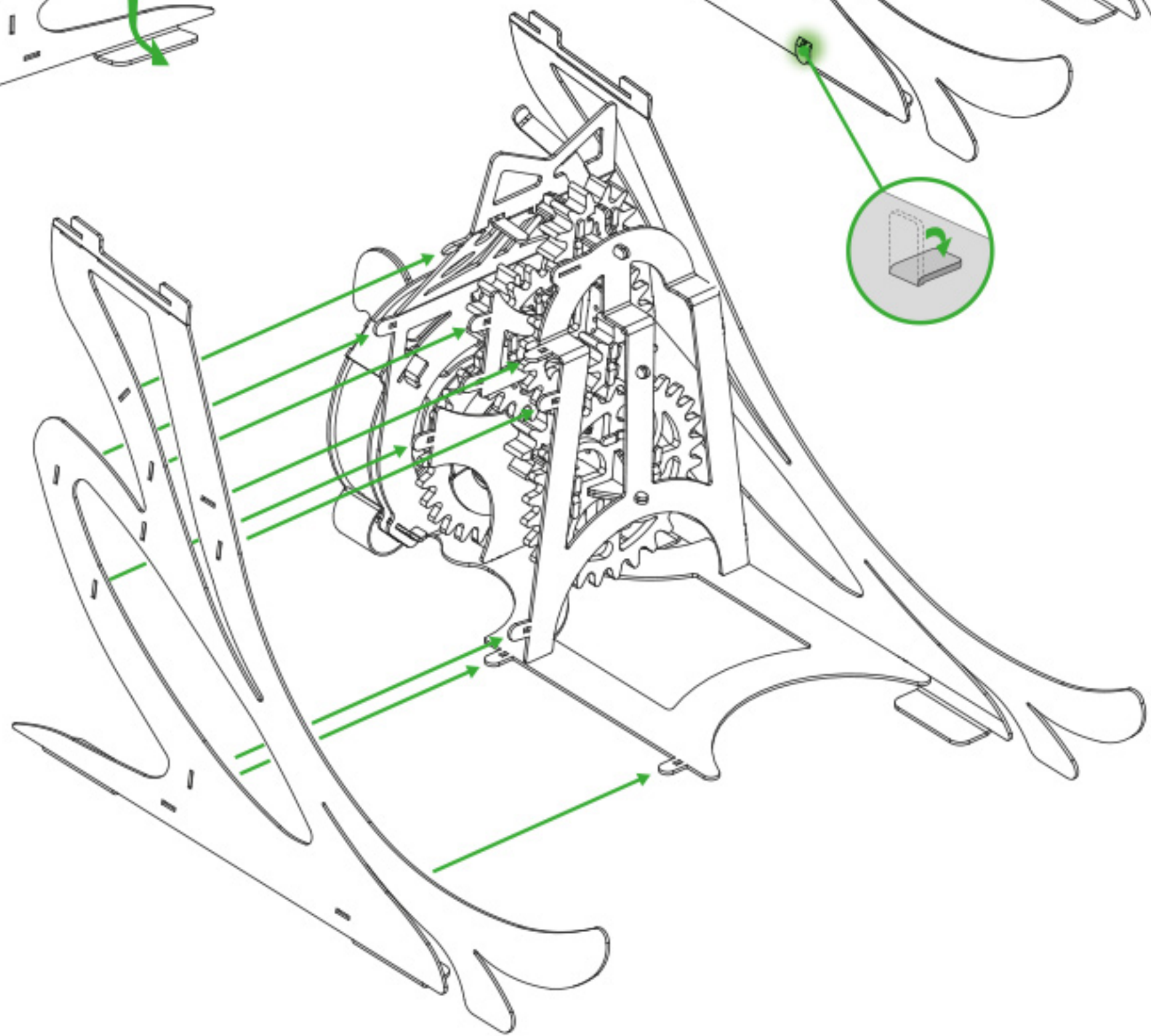
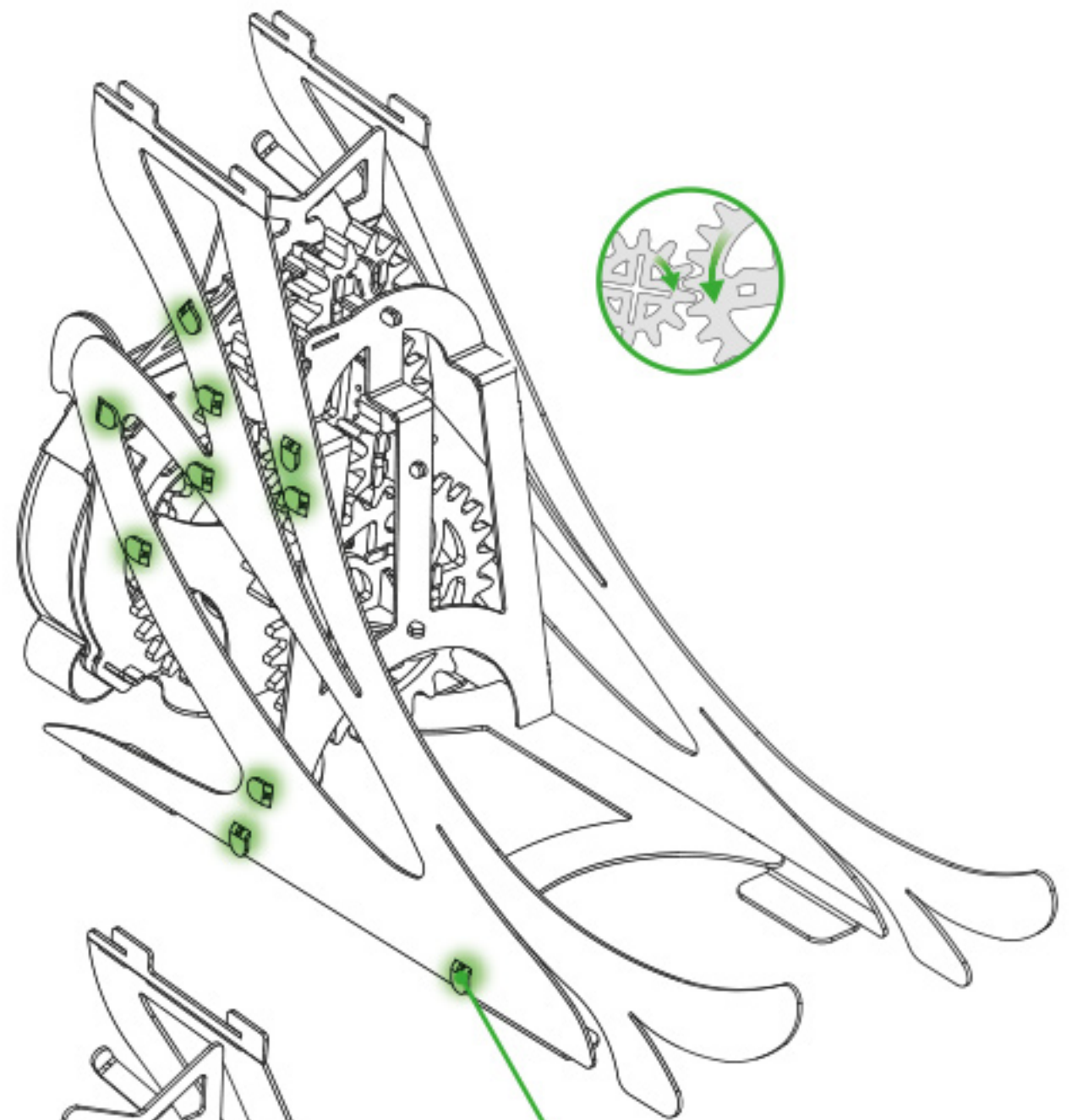
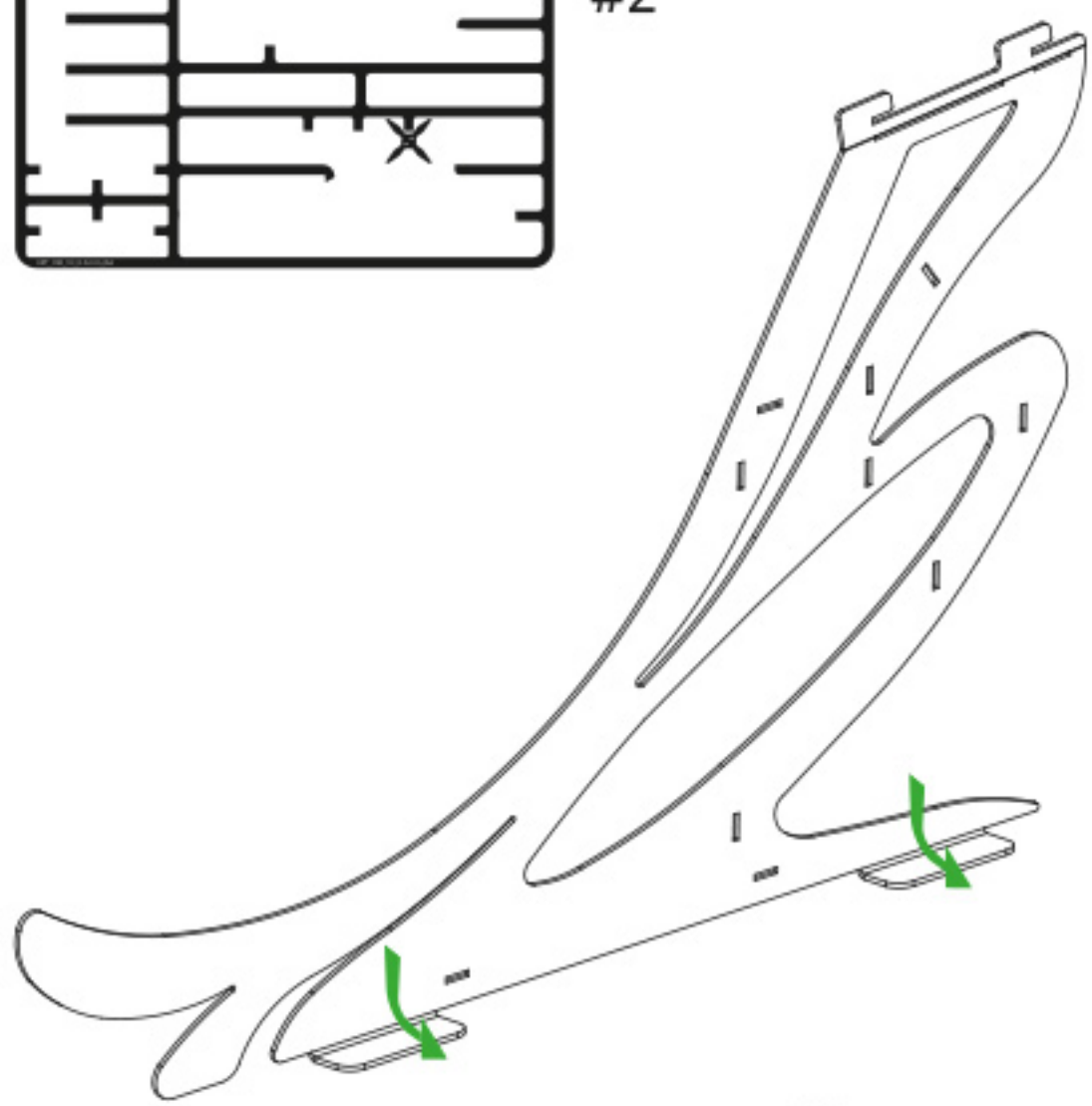


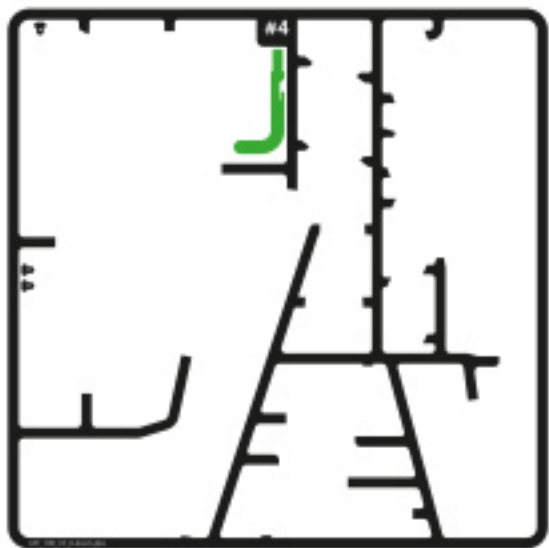
#4



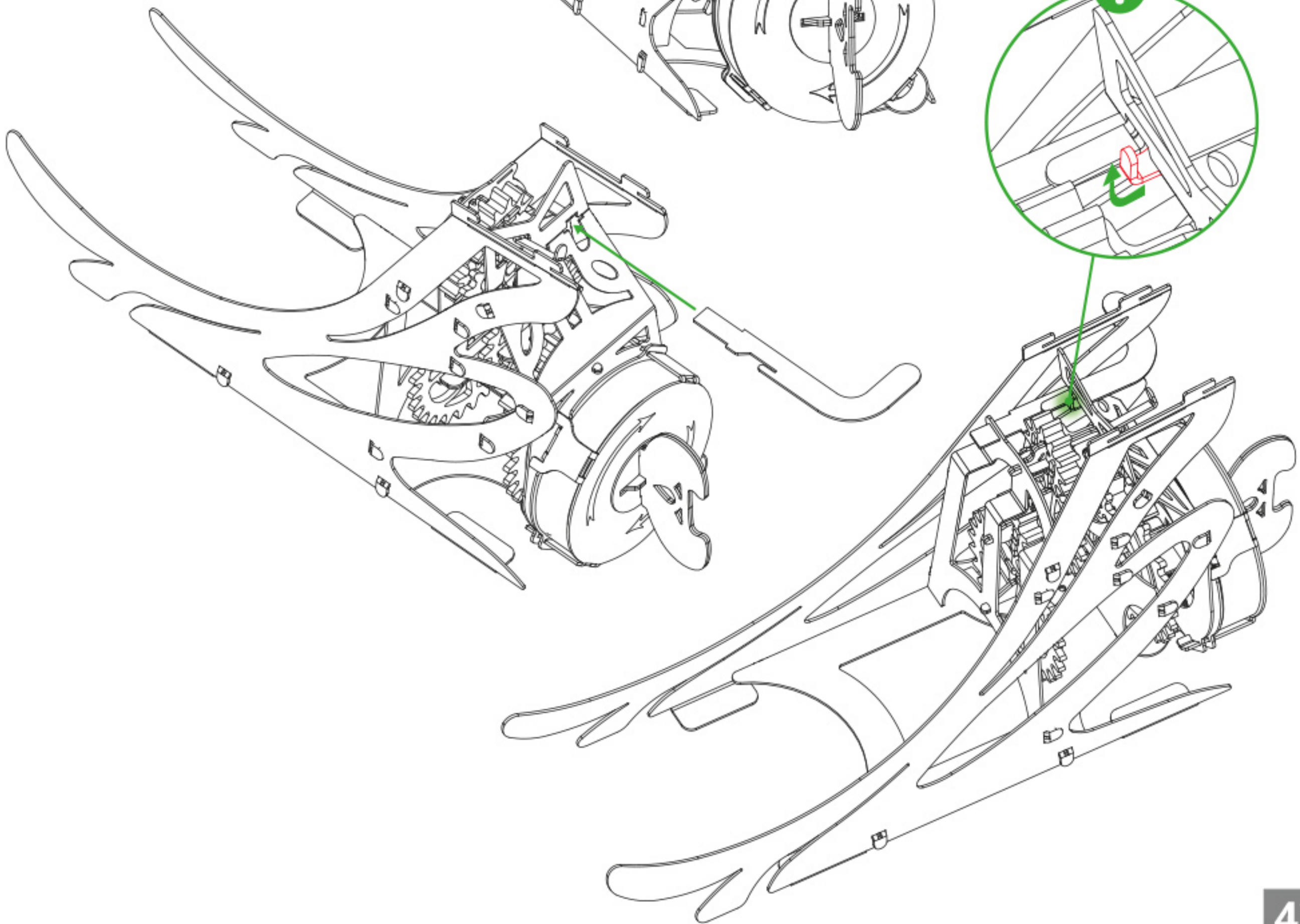
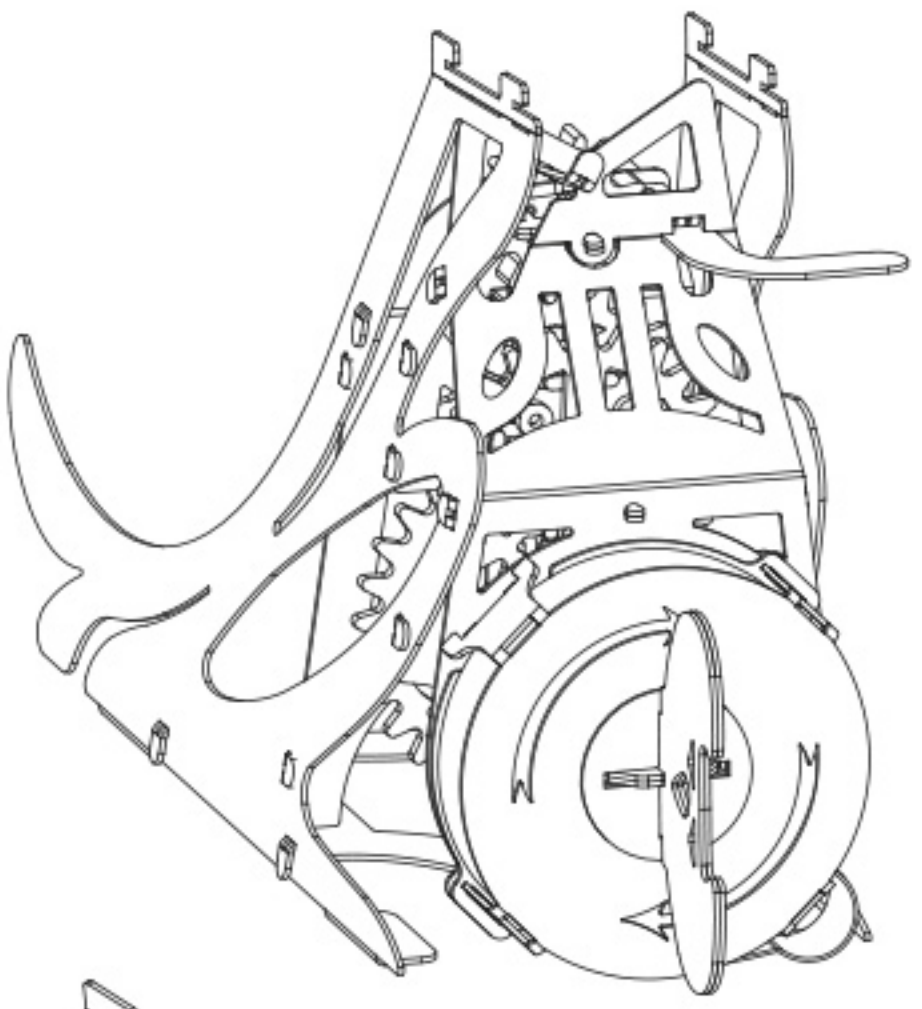


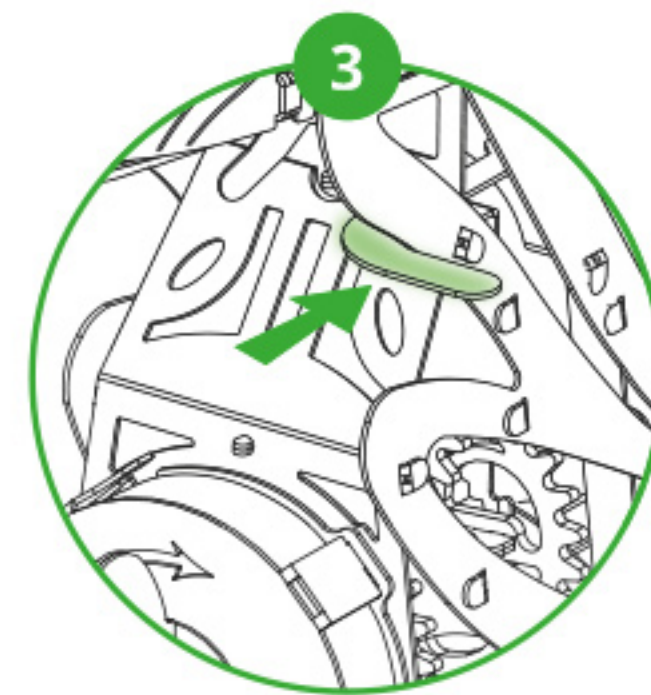
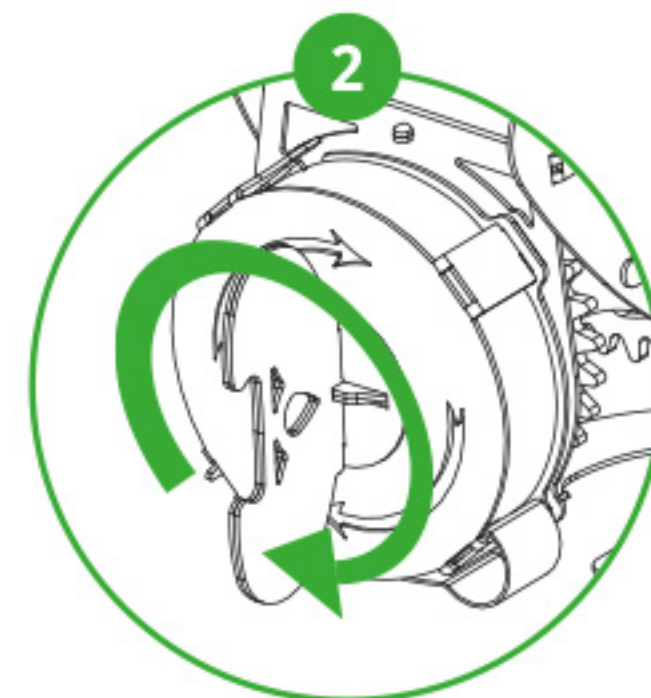
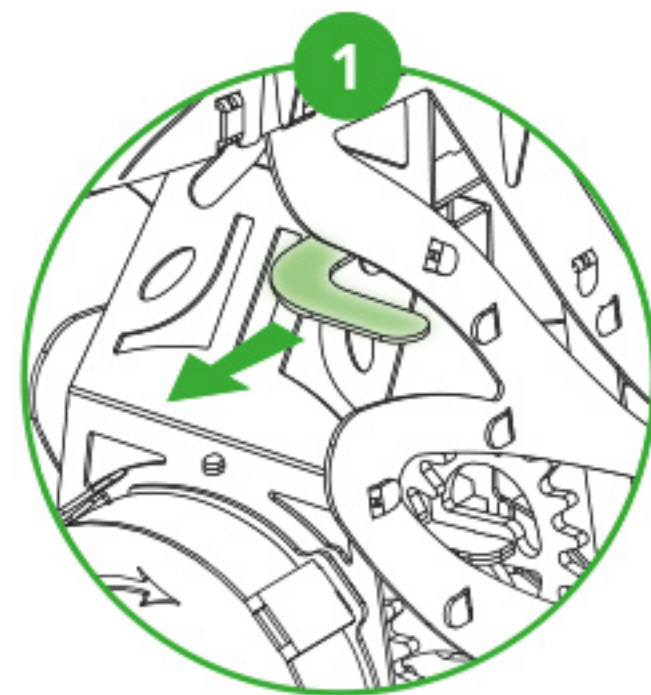
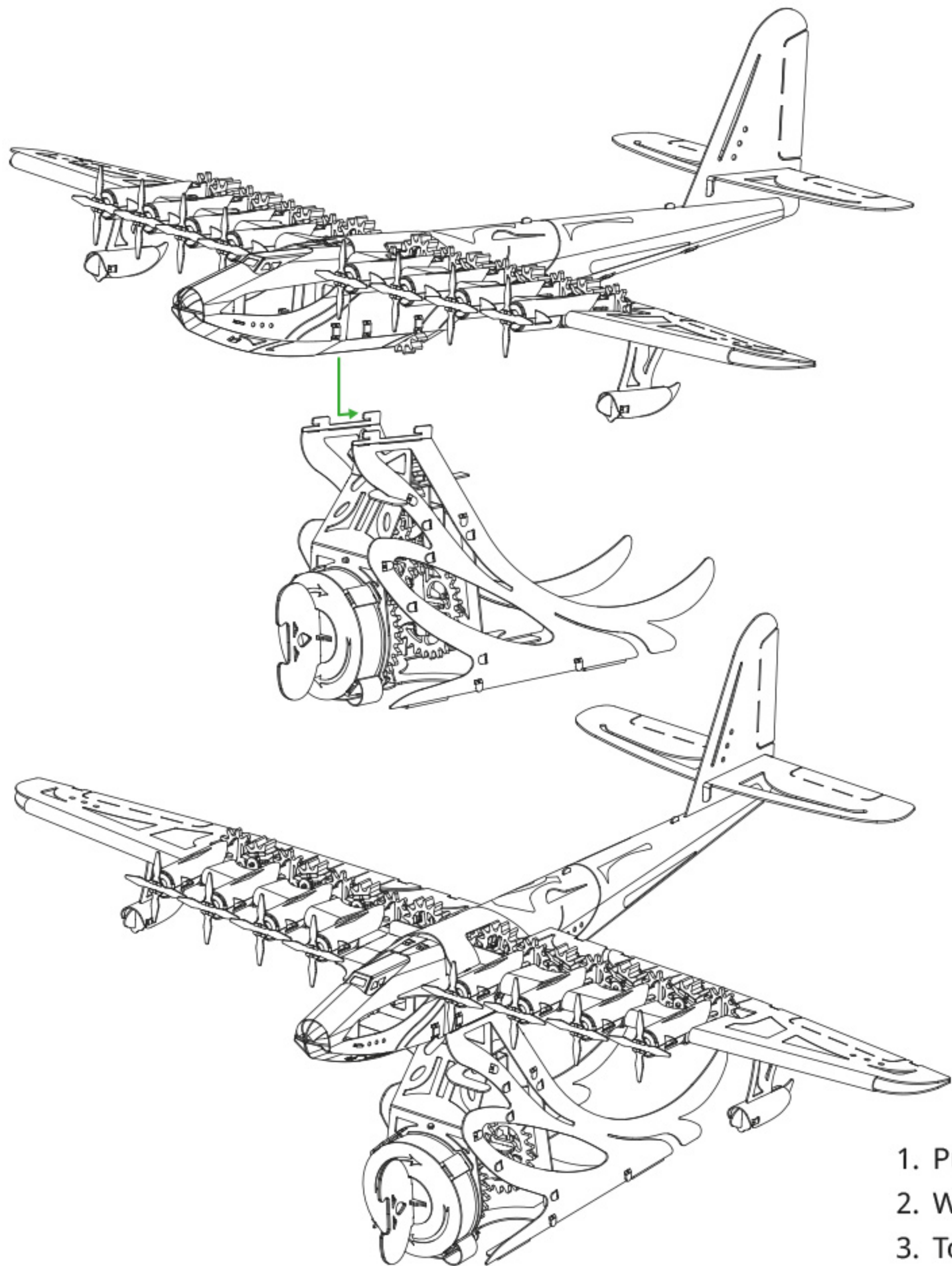
#2





#4





1. Pull the stopper towards you.
2. Wind it clockwise.
3. To start, slide the stopper.



METAL[®]
TIME

www.metal-time.com