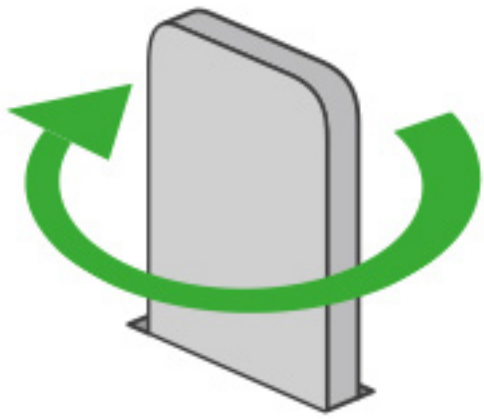




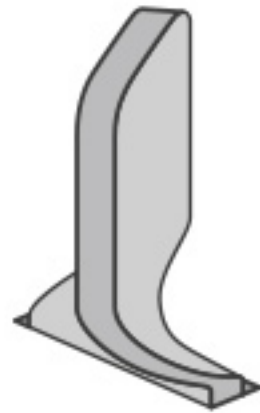
SUN CHASER

STANDARD FIXING OF FASTENERS AND SYMBOLS

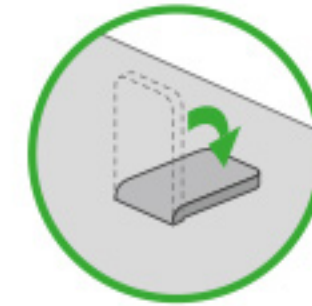
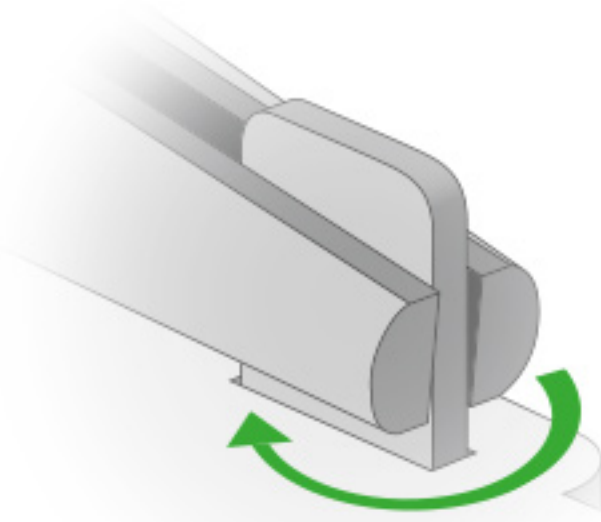
When assembling the model, don't rush, avoid pointing details at yours or anyone else's face. If one of the parts has a sharp edge, please file it down. Use pliers and additional tools to assemble the model. Each kit contains a cloth for wiping and polishing the model once it's assembled.



If there are no additional designations, use the standard fixing method



Use pliers to bend the fasteners



Bend the eyelet 90°

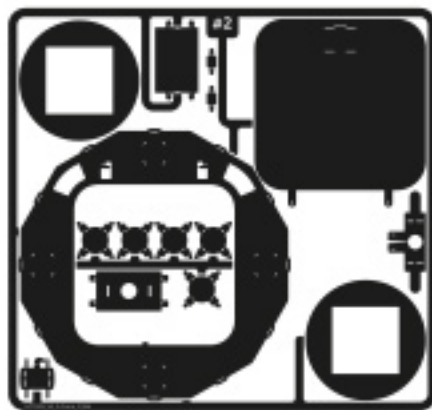


Twist the eyelet 45°

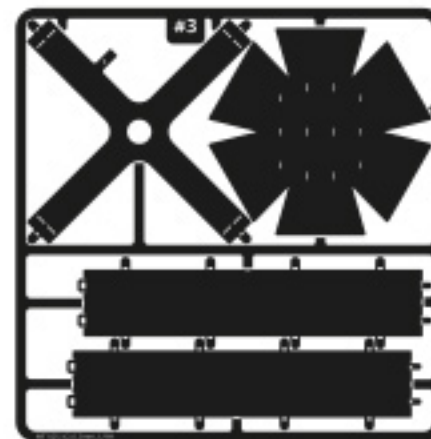
MODEL PARTS AND ASSEMBLY TOOLS



#1



#2



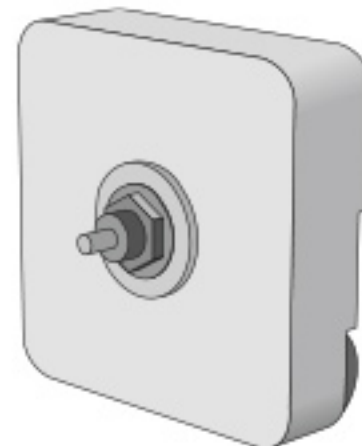
#3



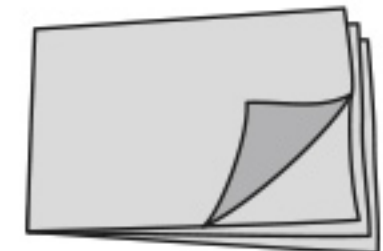
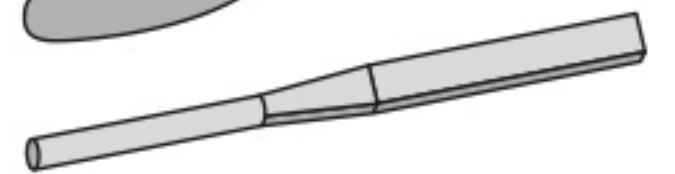
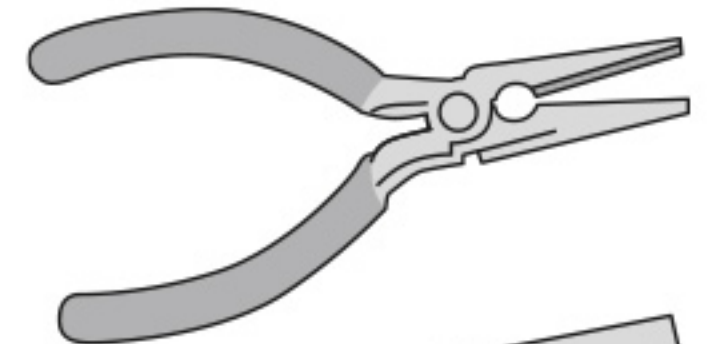
#4



#5



Electric clock



Tools

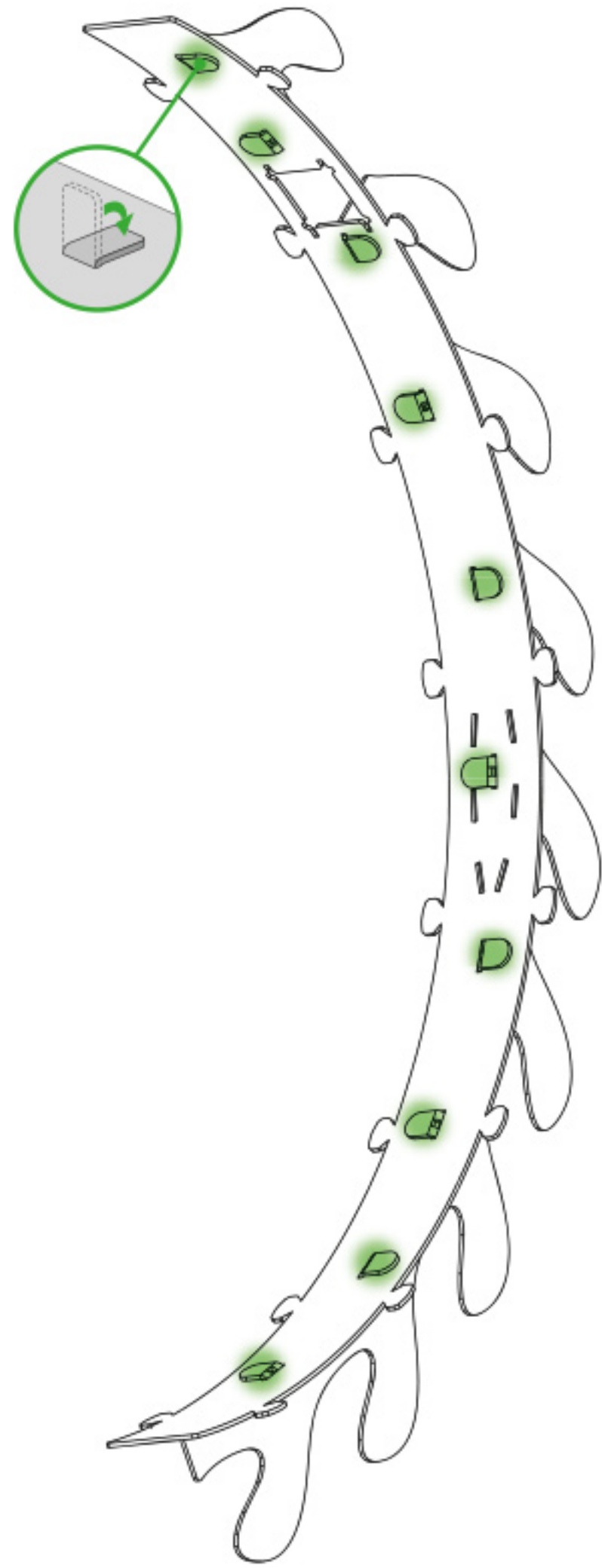
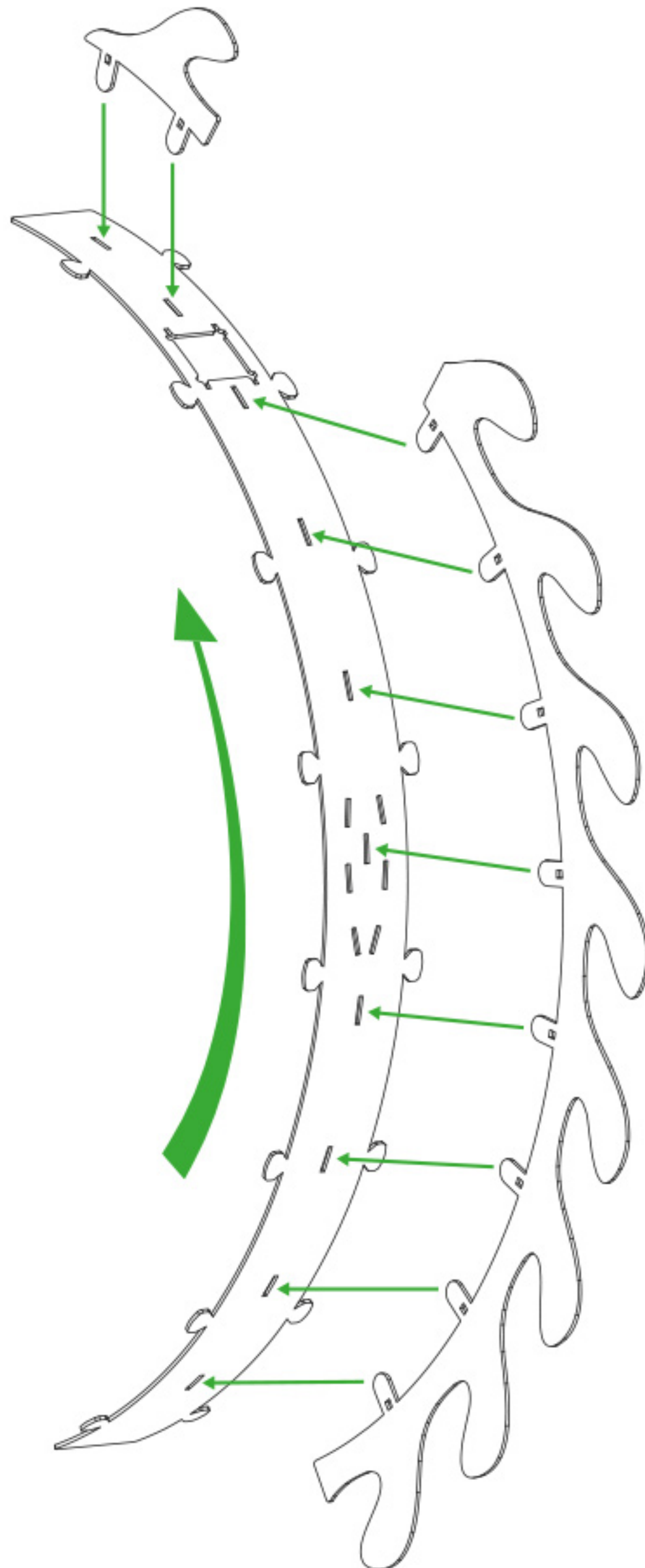
WARNING! Product contains small parts and sharp parts. Not suitable for children under 3 years of age. Please read these instructions carefully before assembly and use.



#4

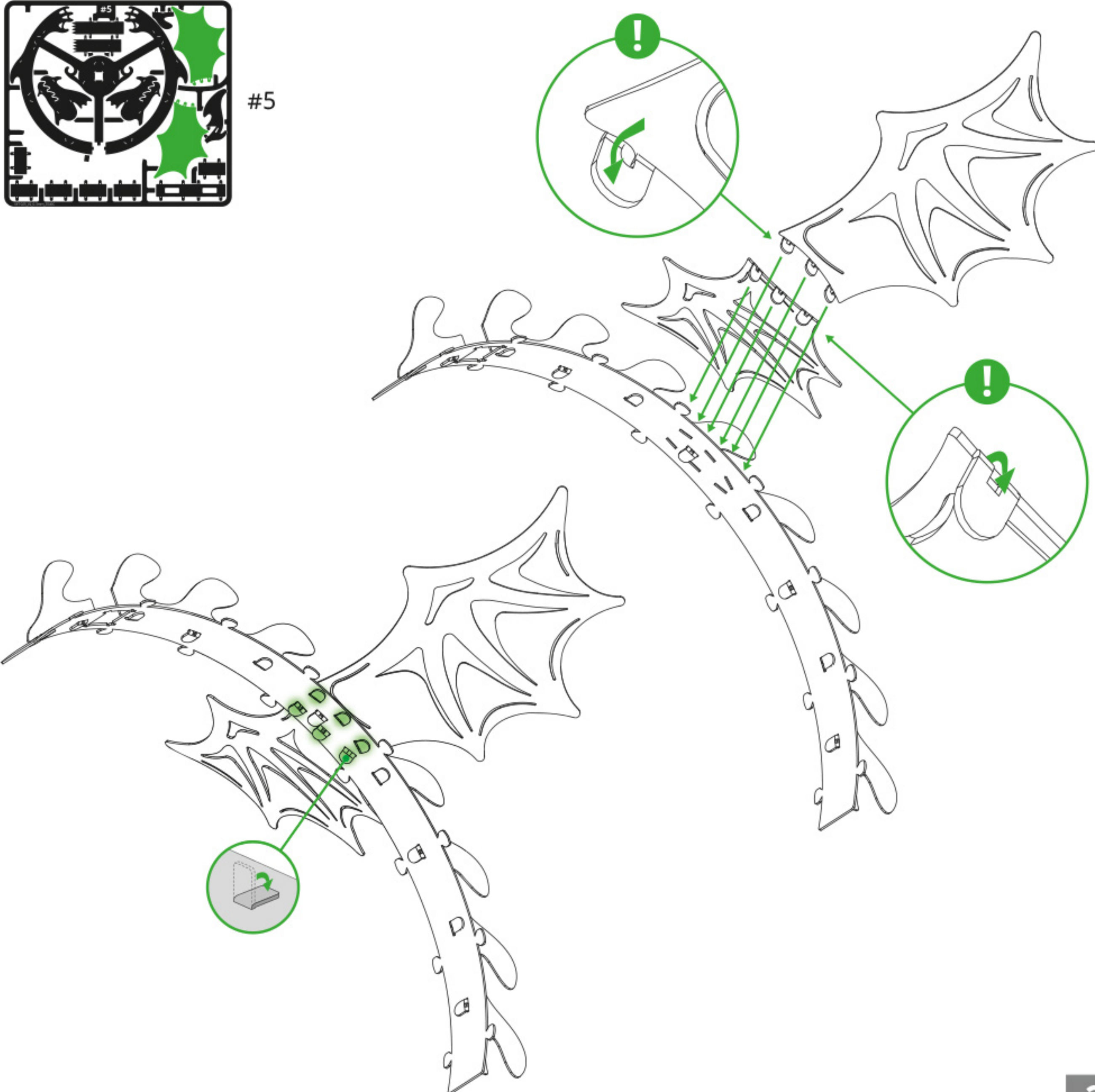


#5



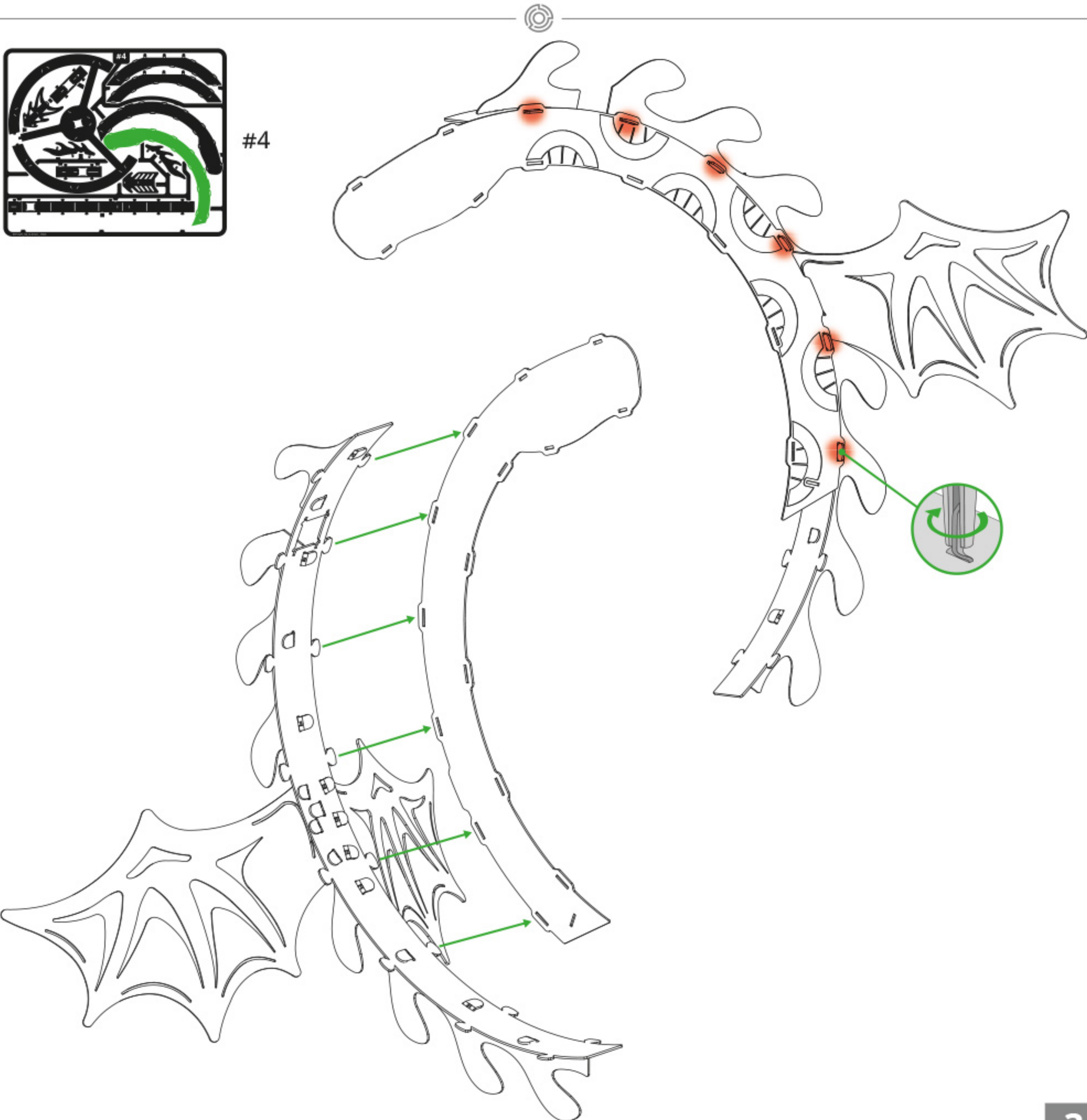


#5



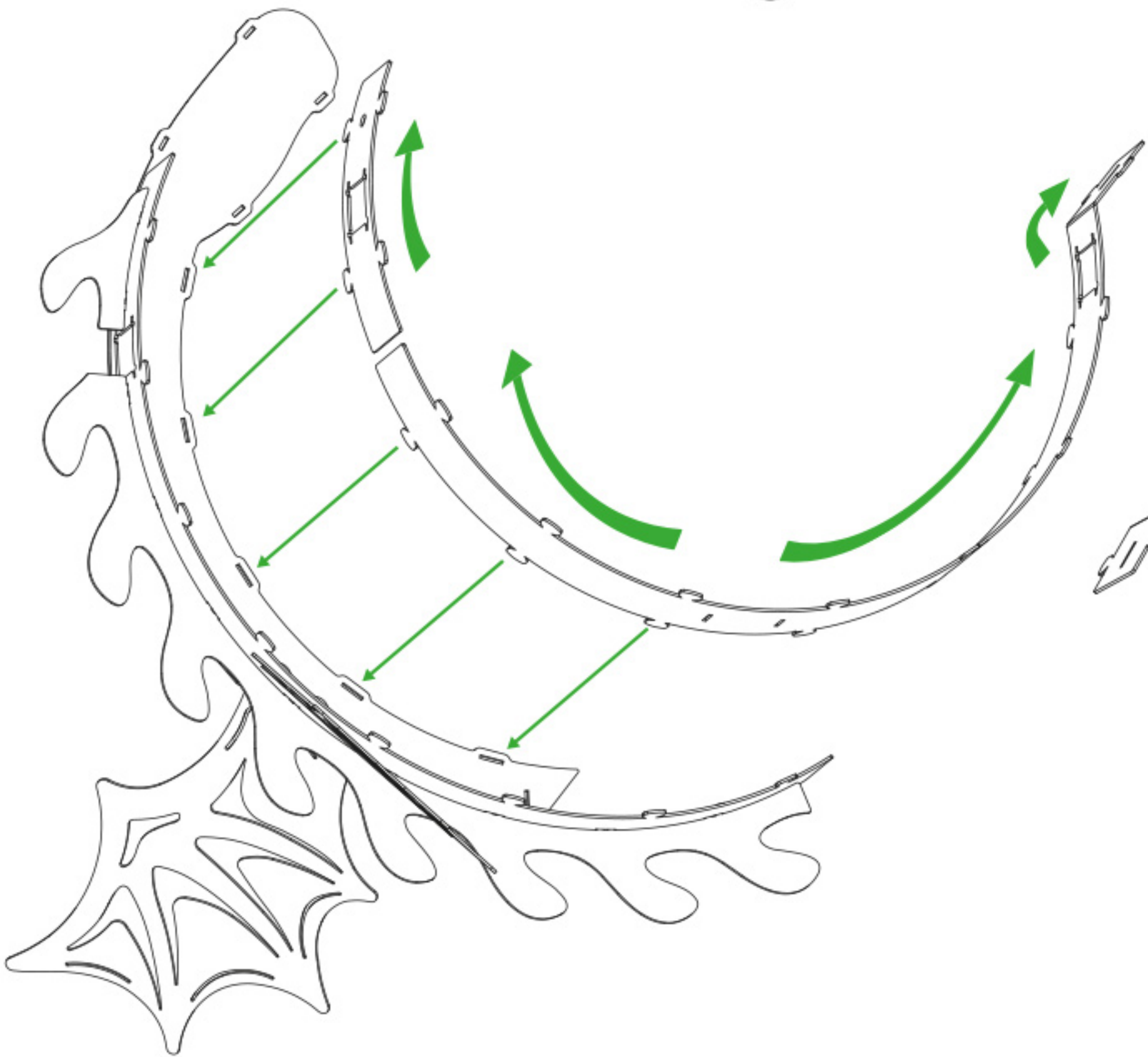
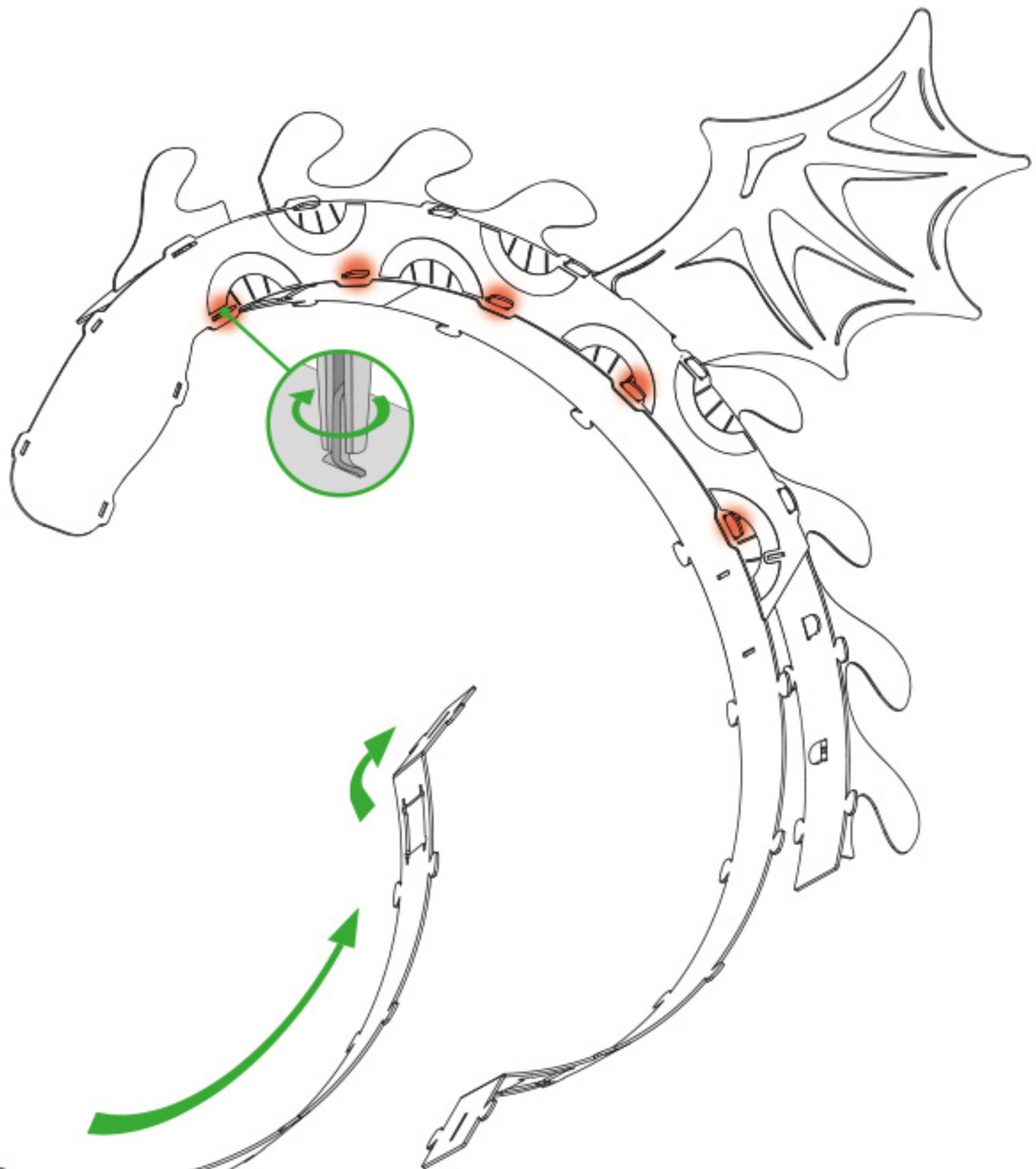


#4



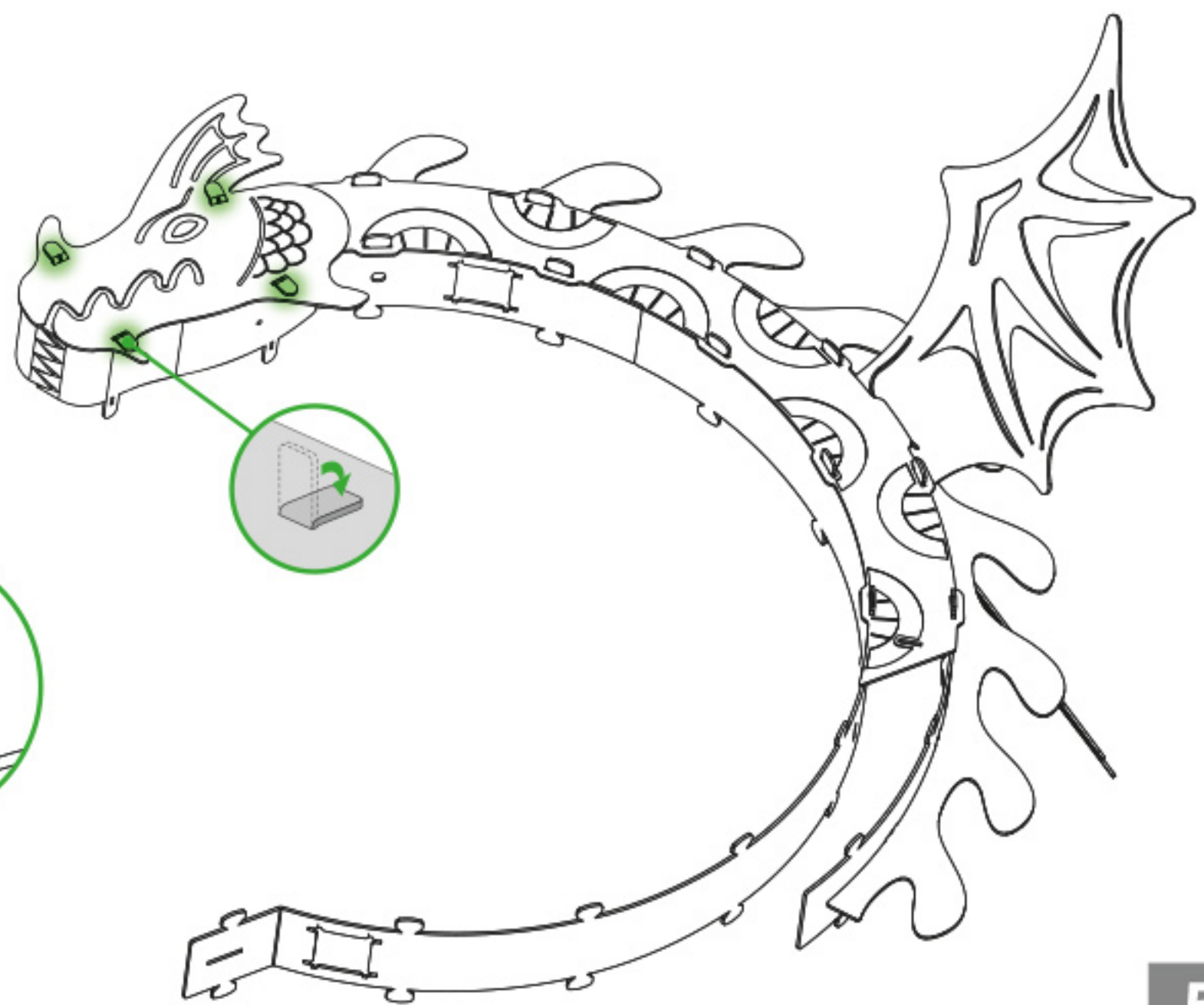
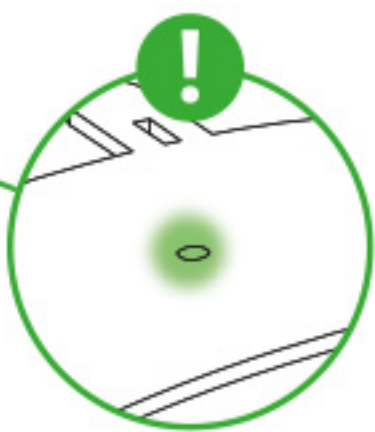
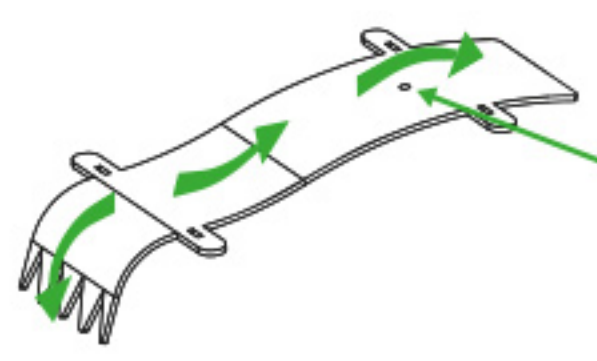
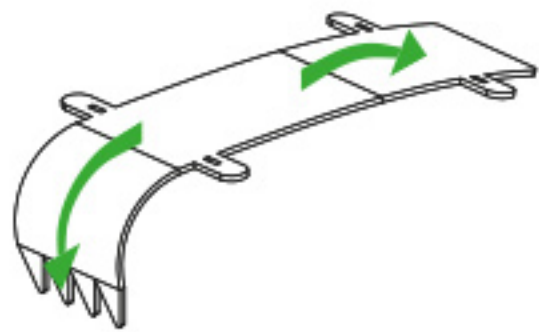
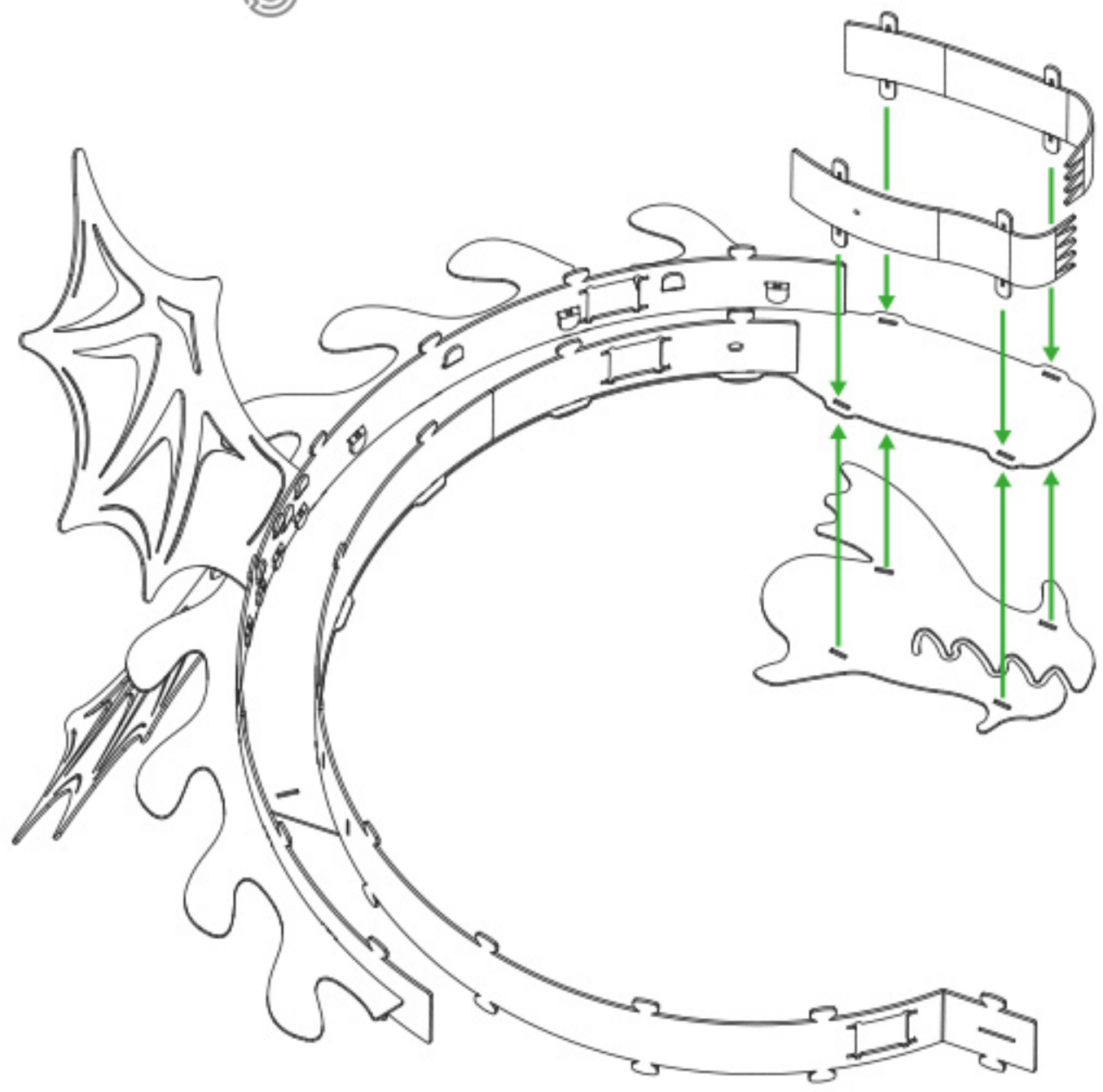


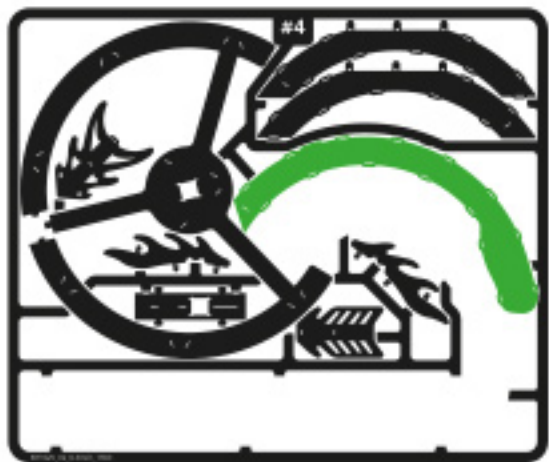
#4



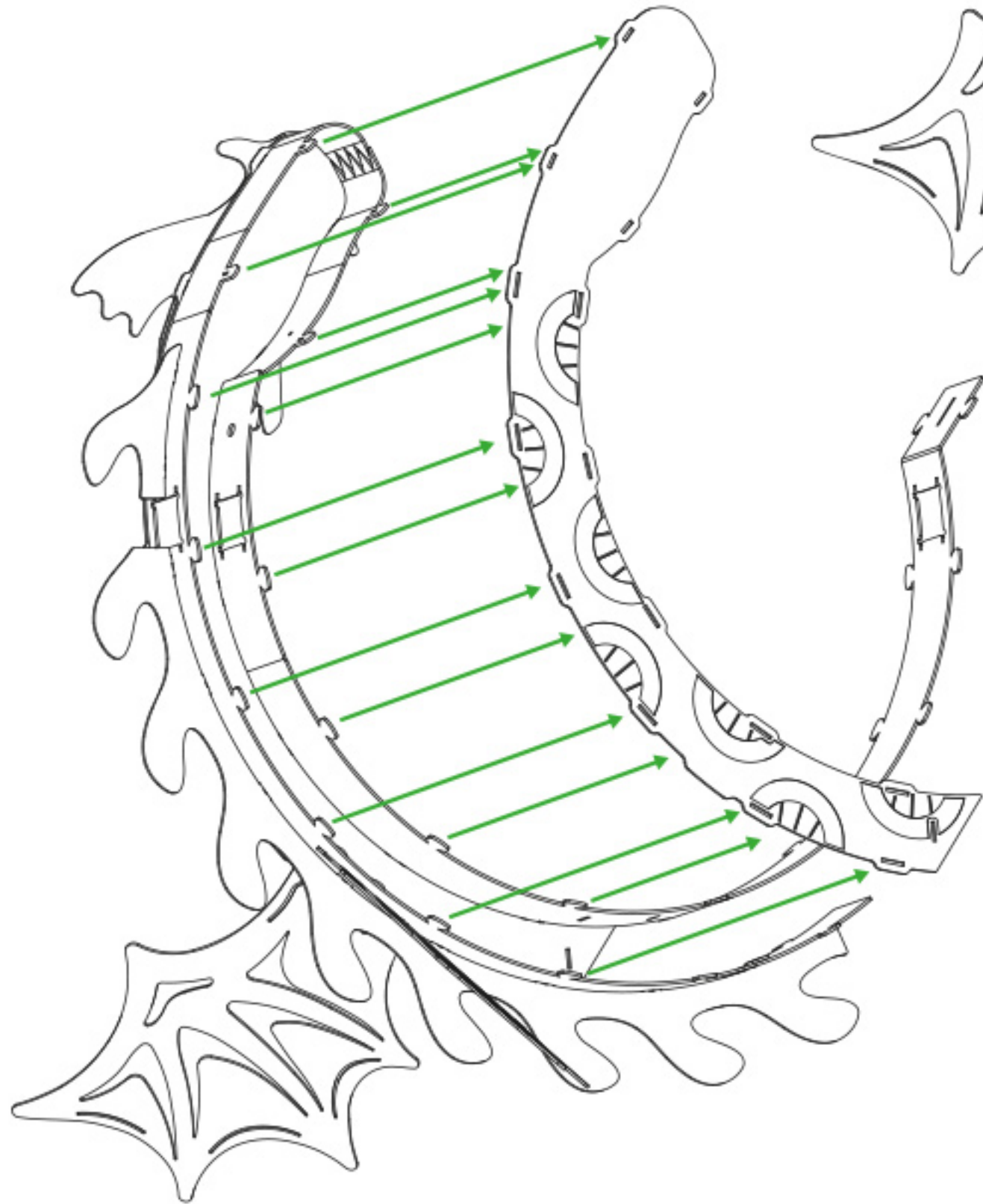
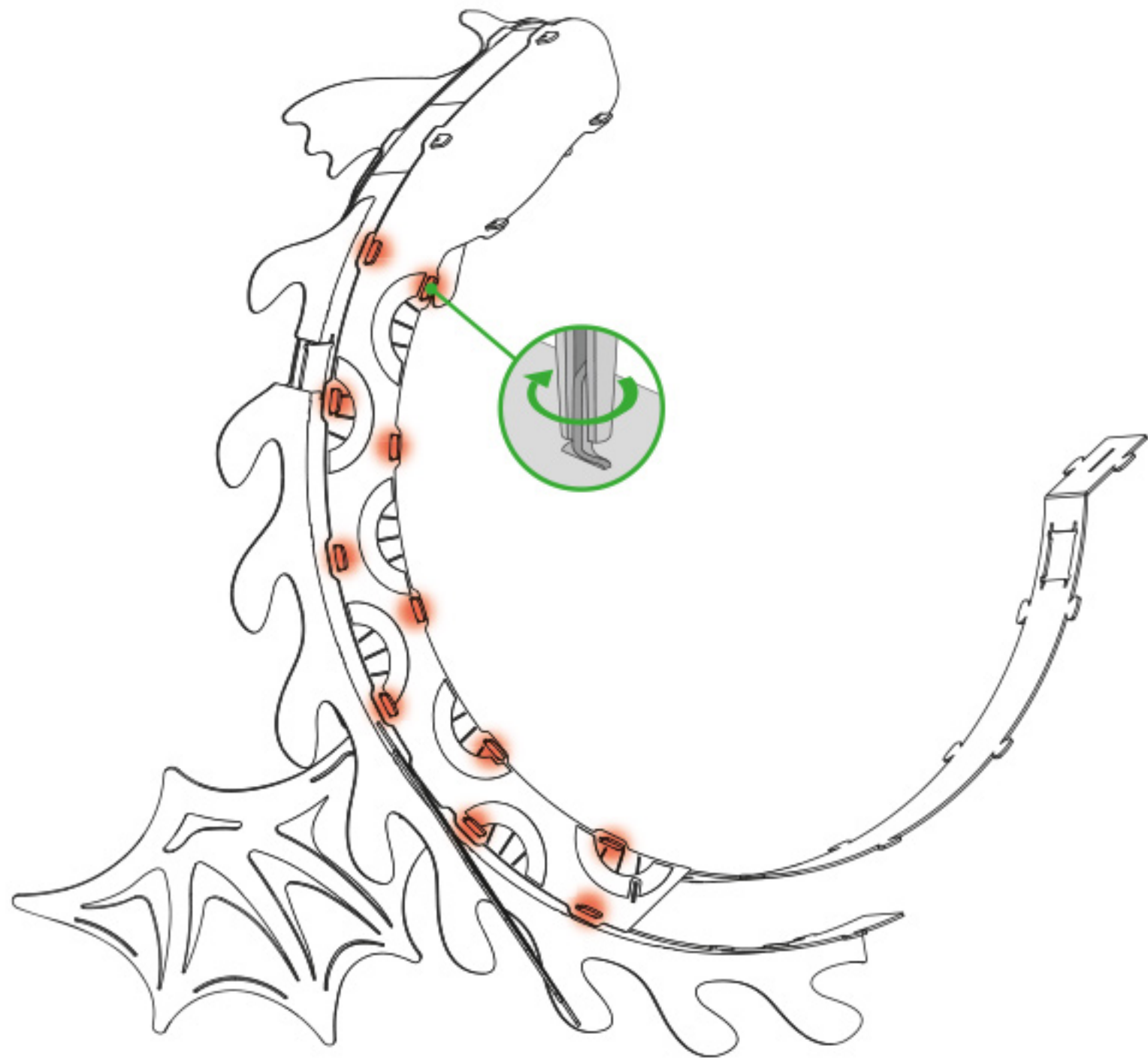


#5



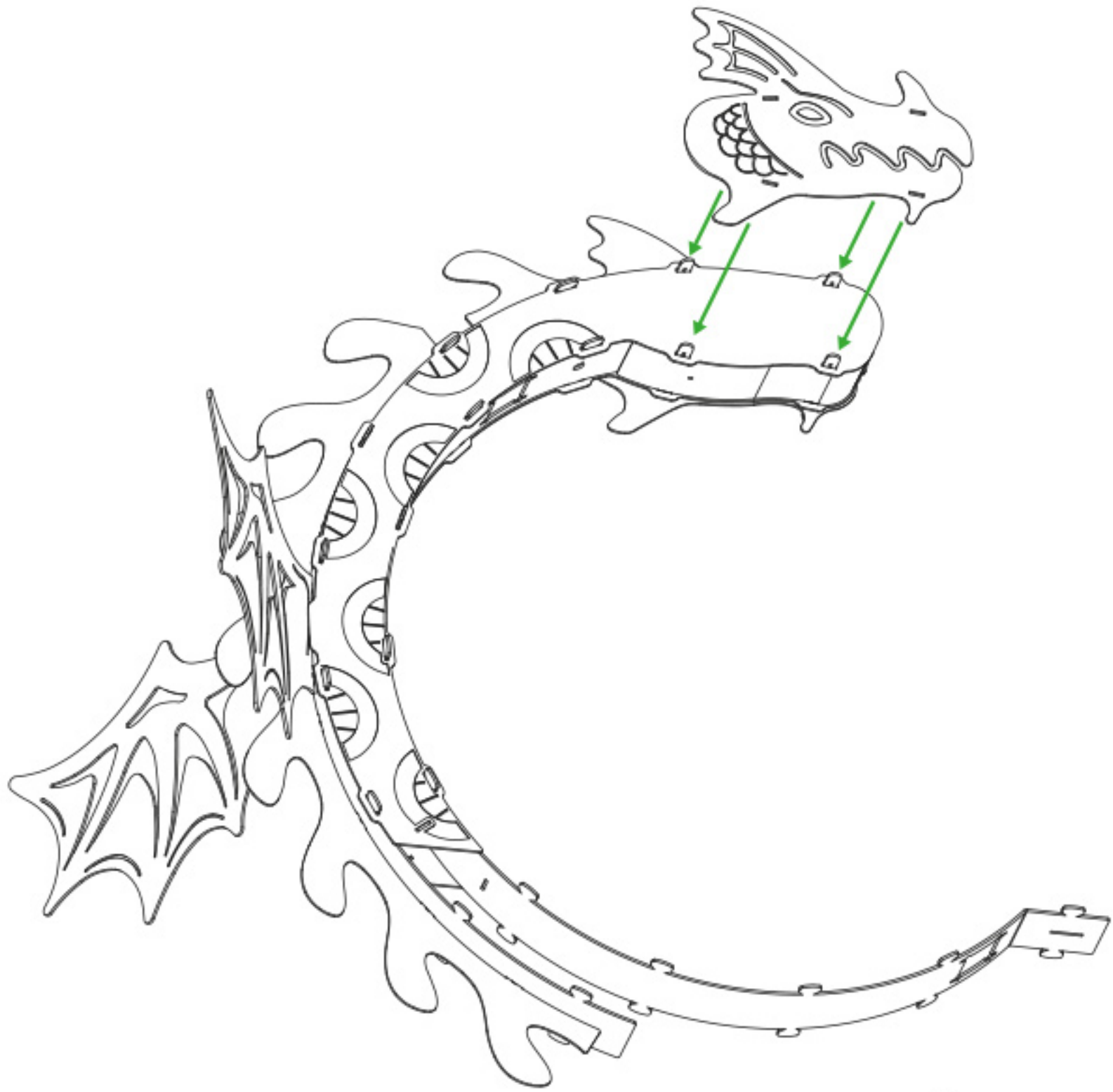
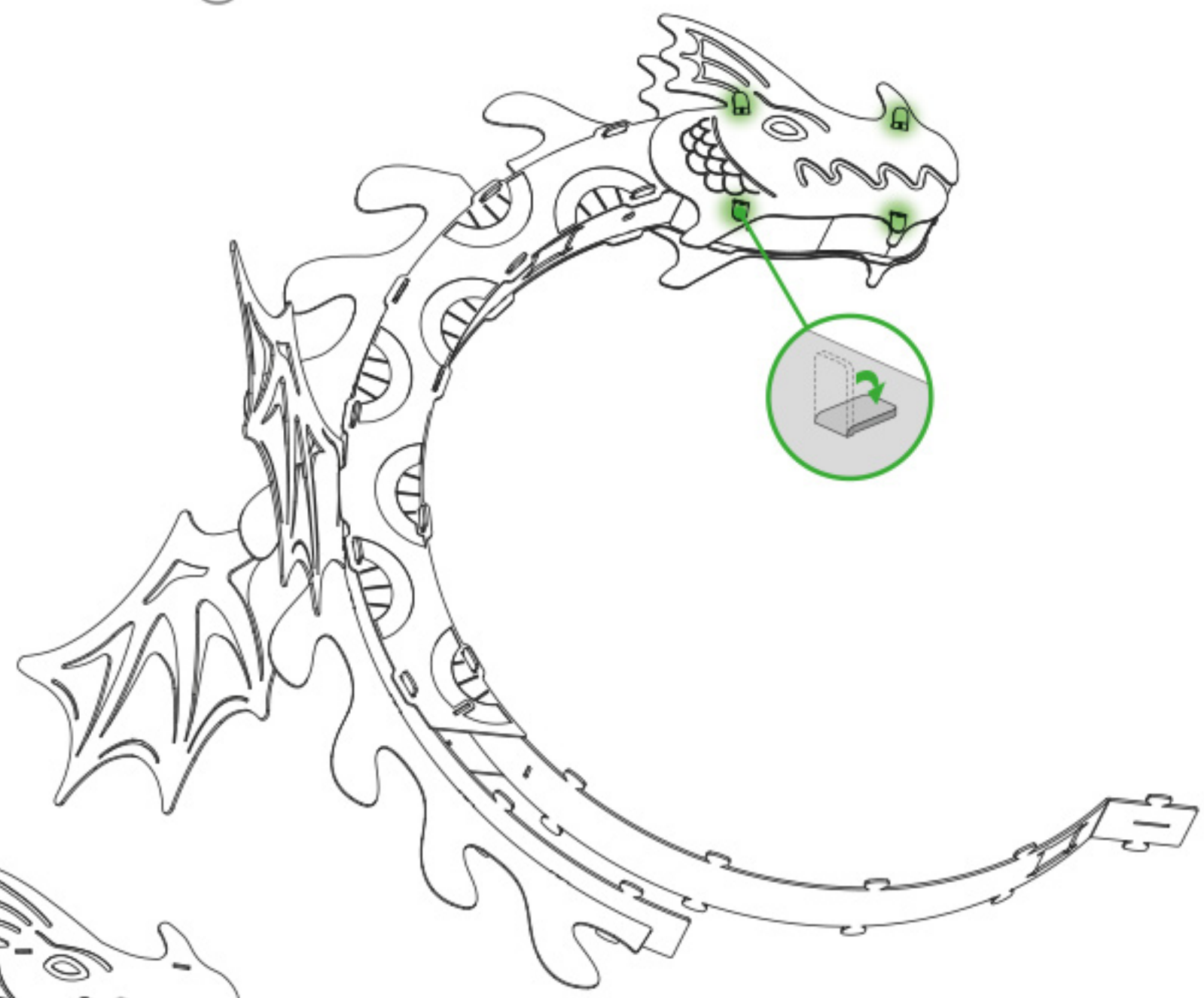


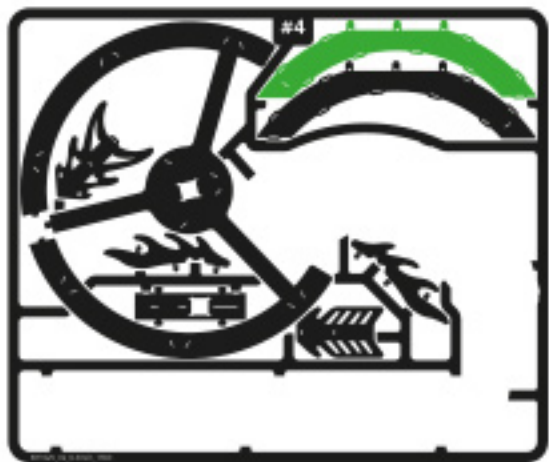
#4



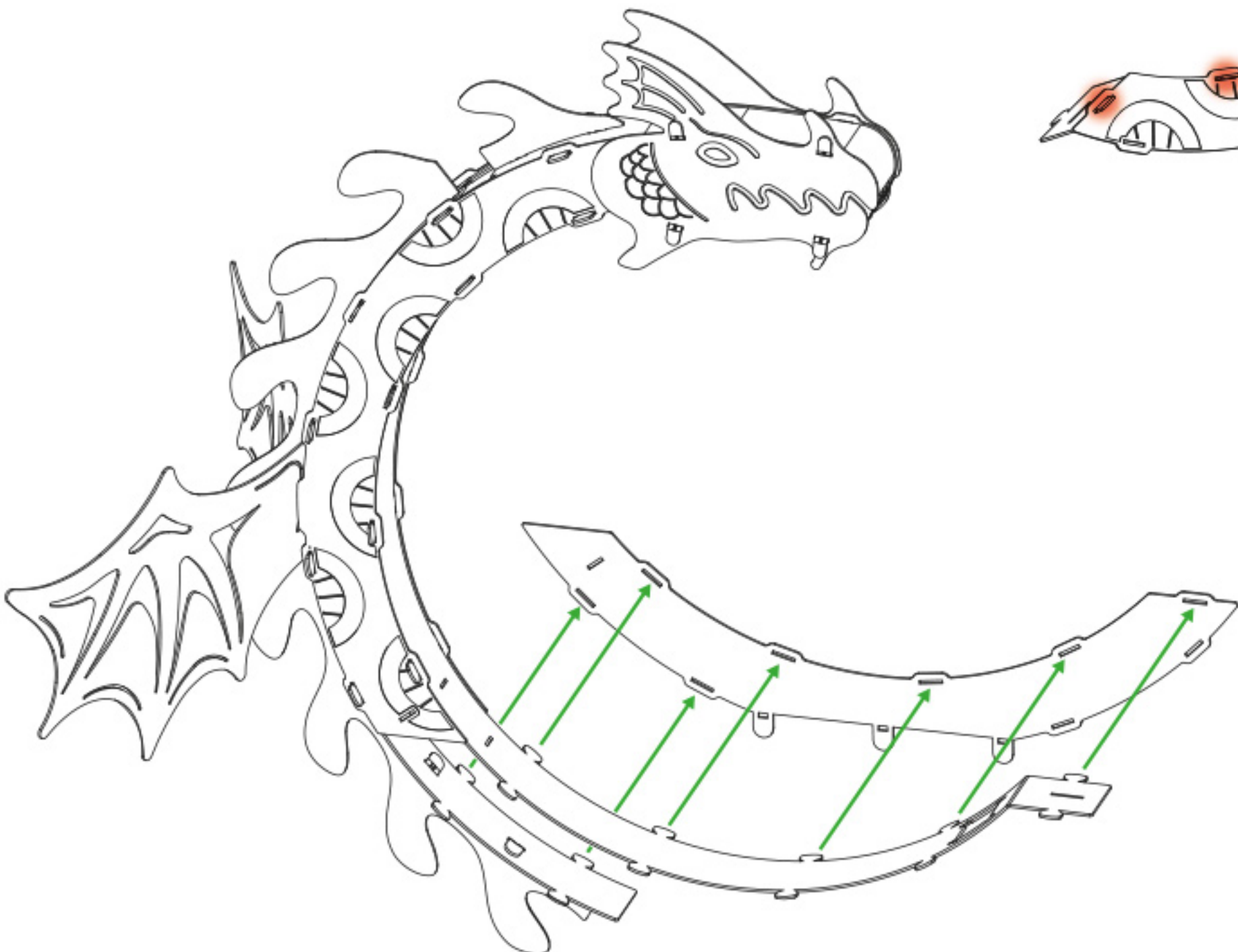


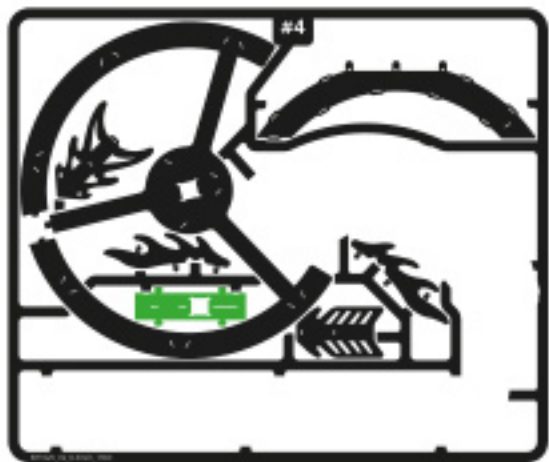
#5



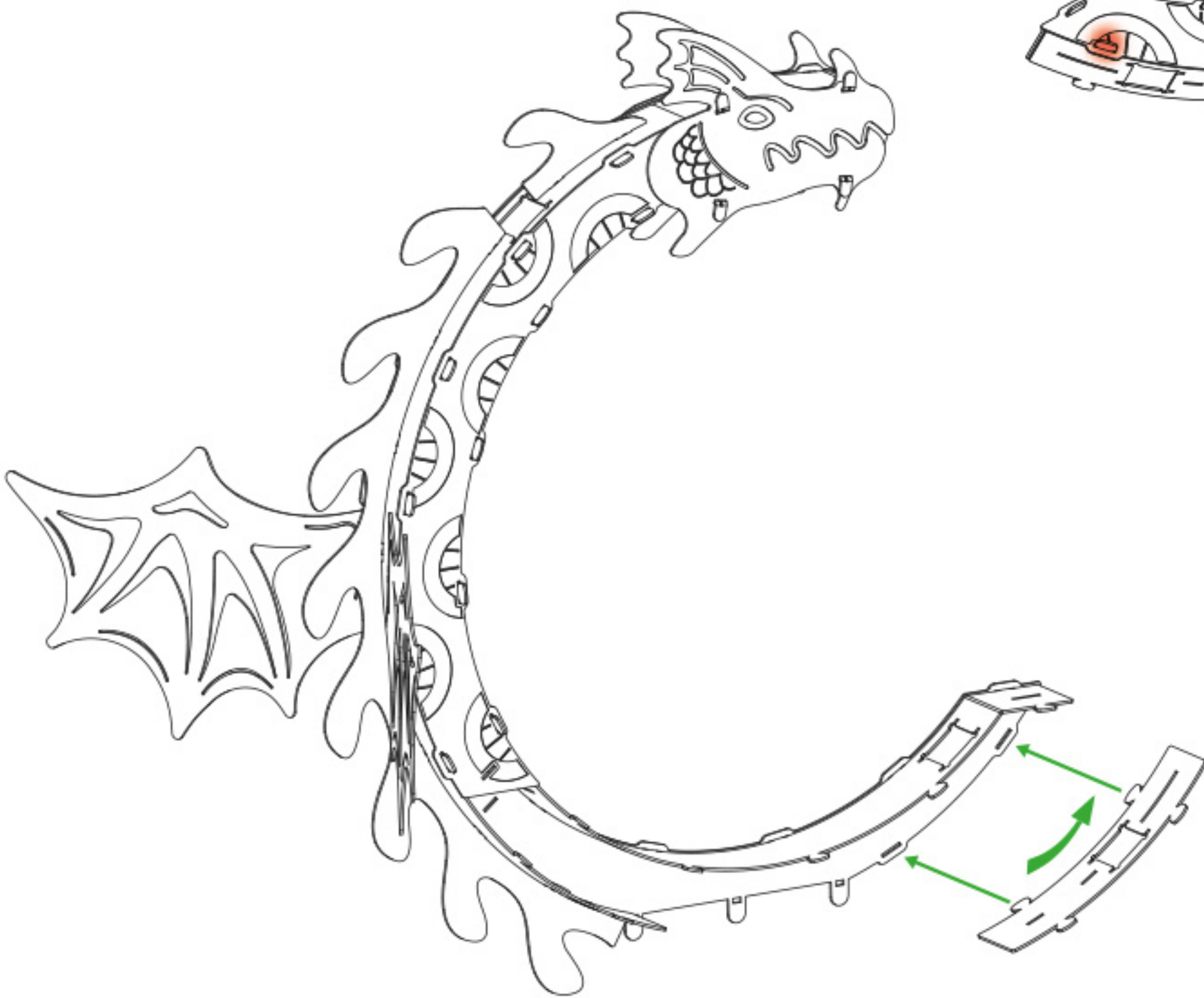
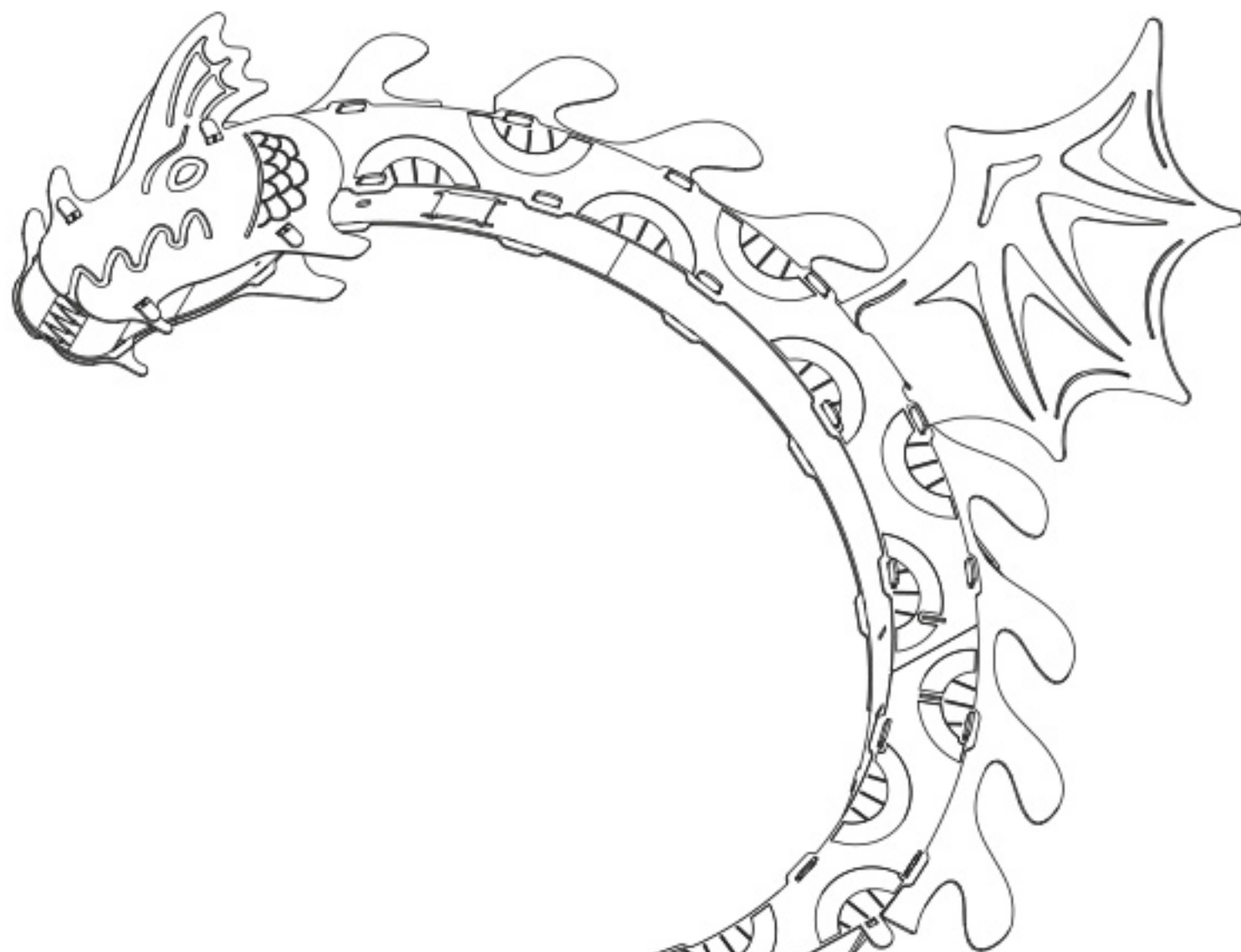


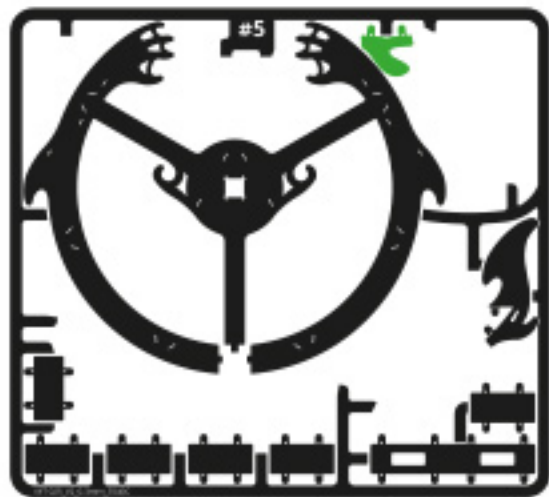
#4





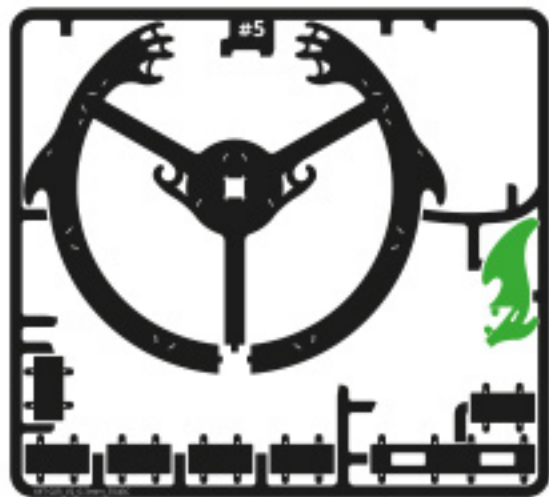
#4



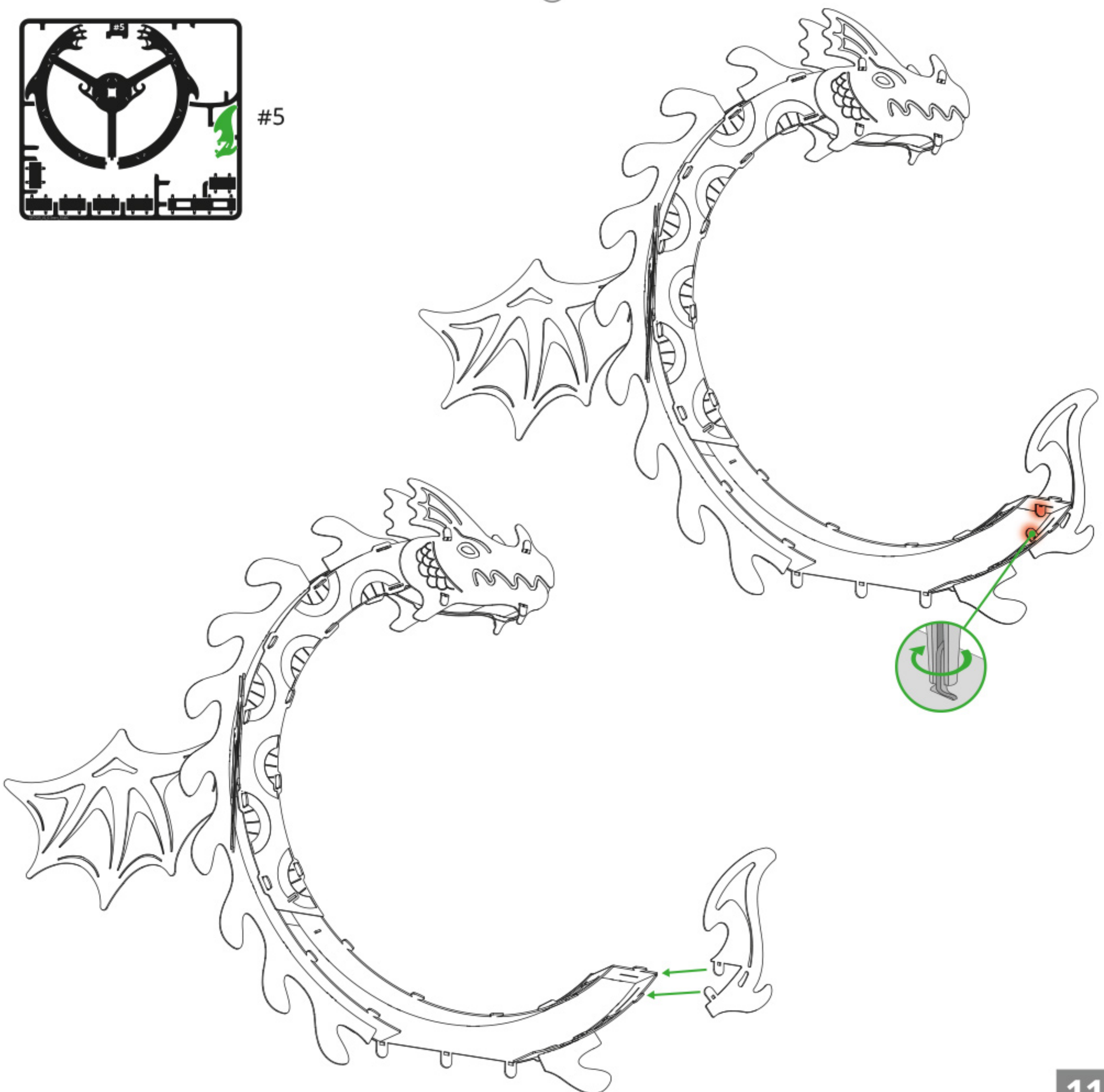


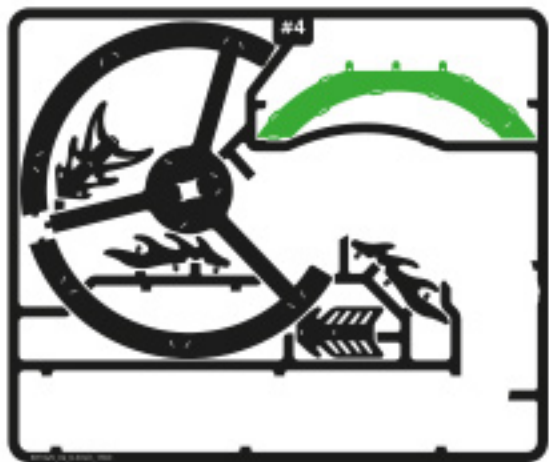
#5



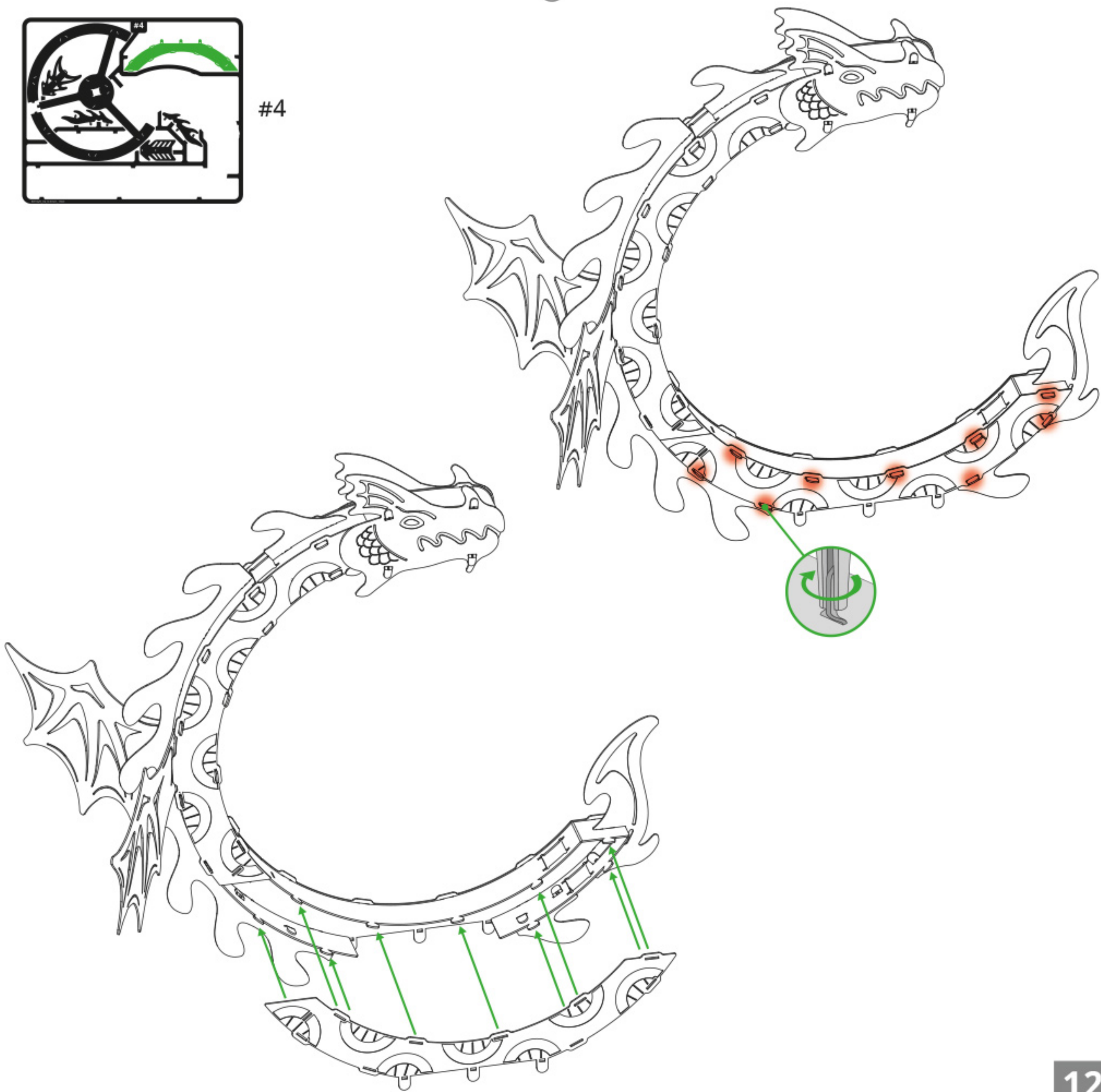


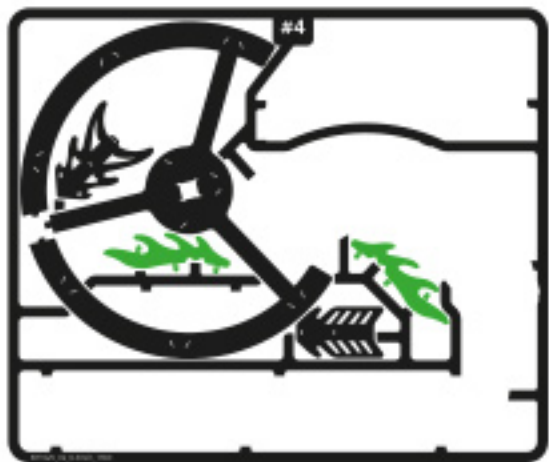
#5





#4

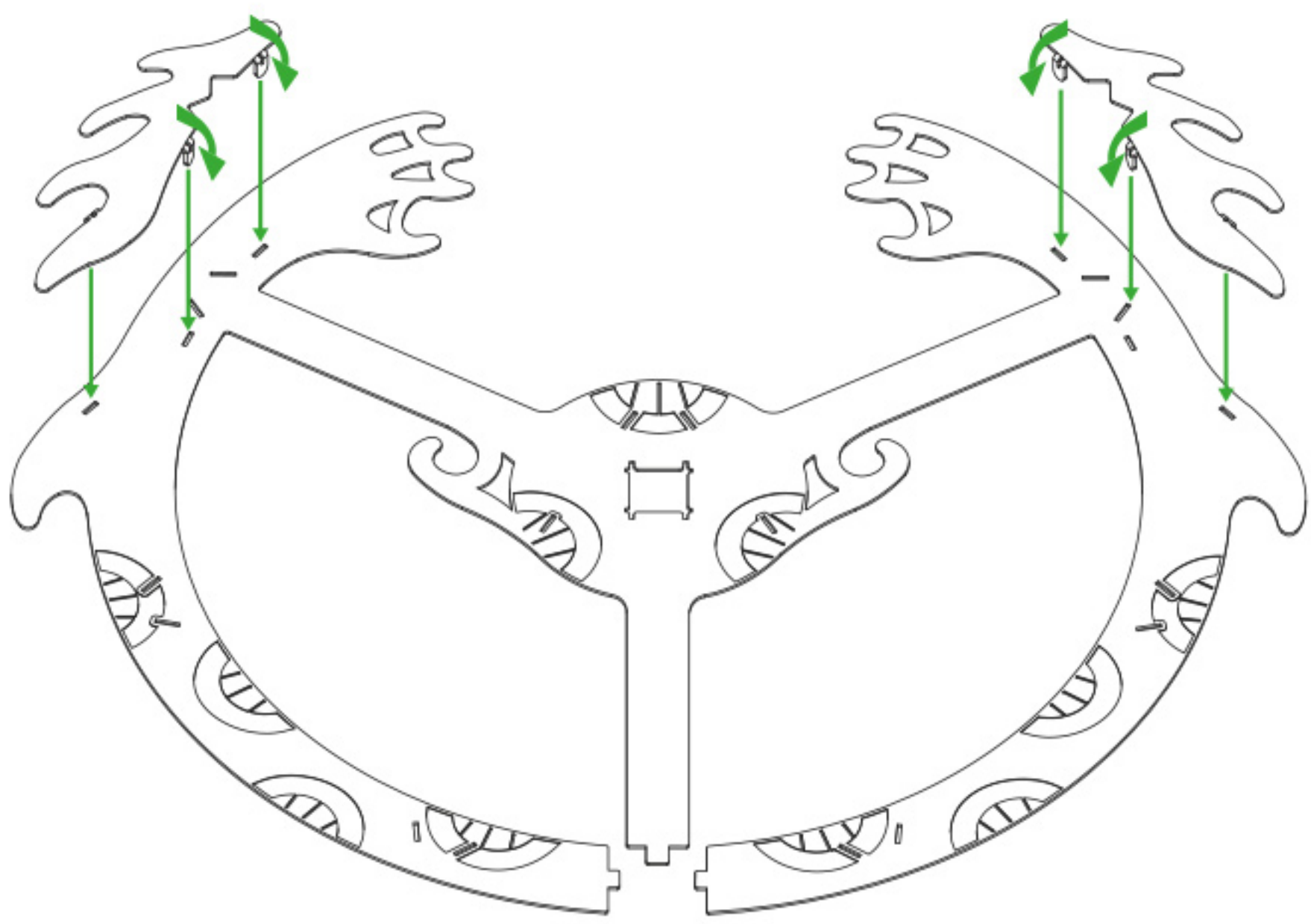
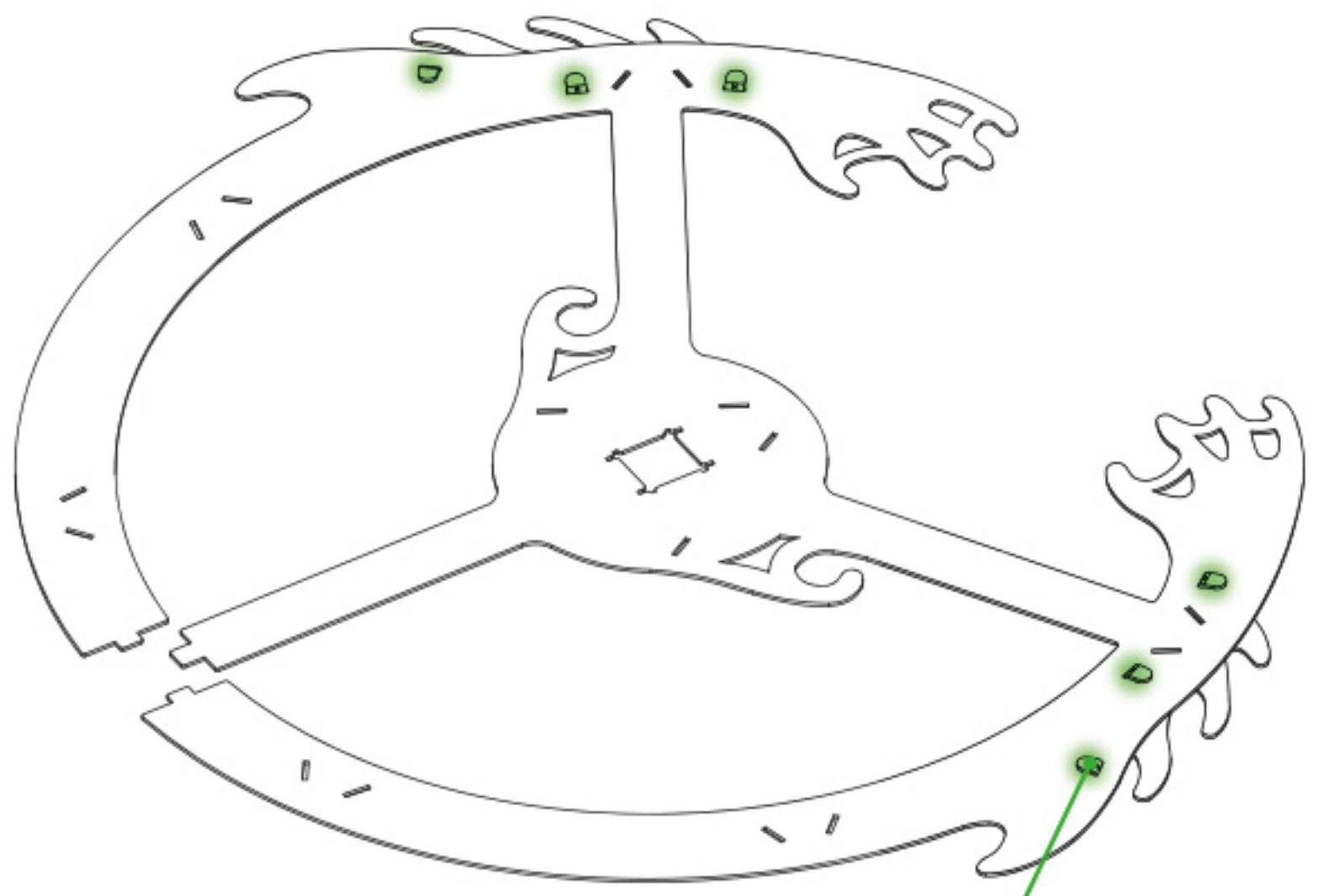


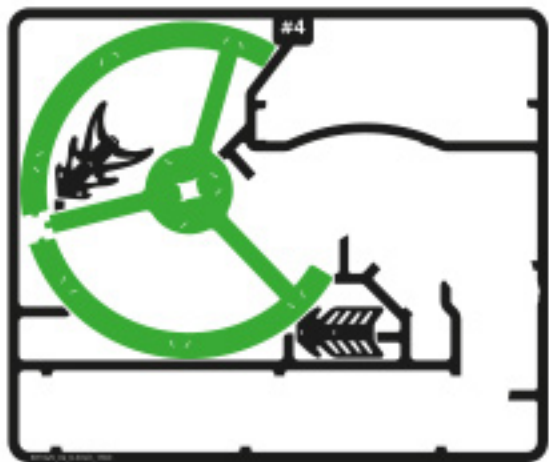


#4

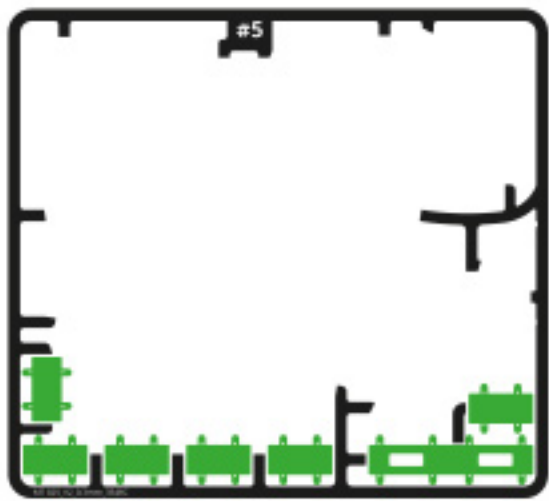


#5

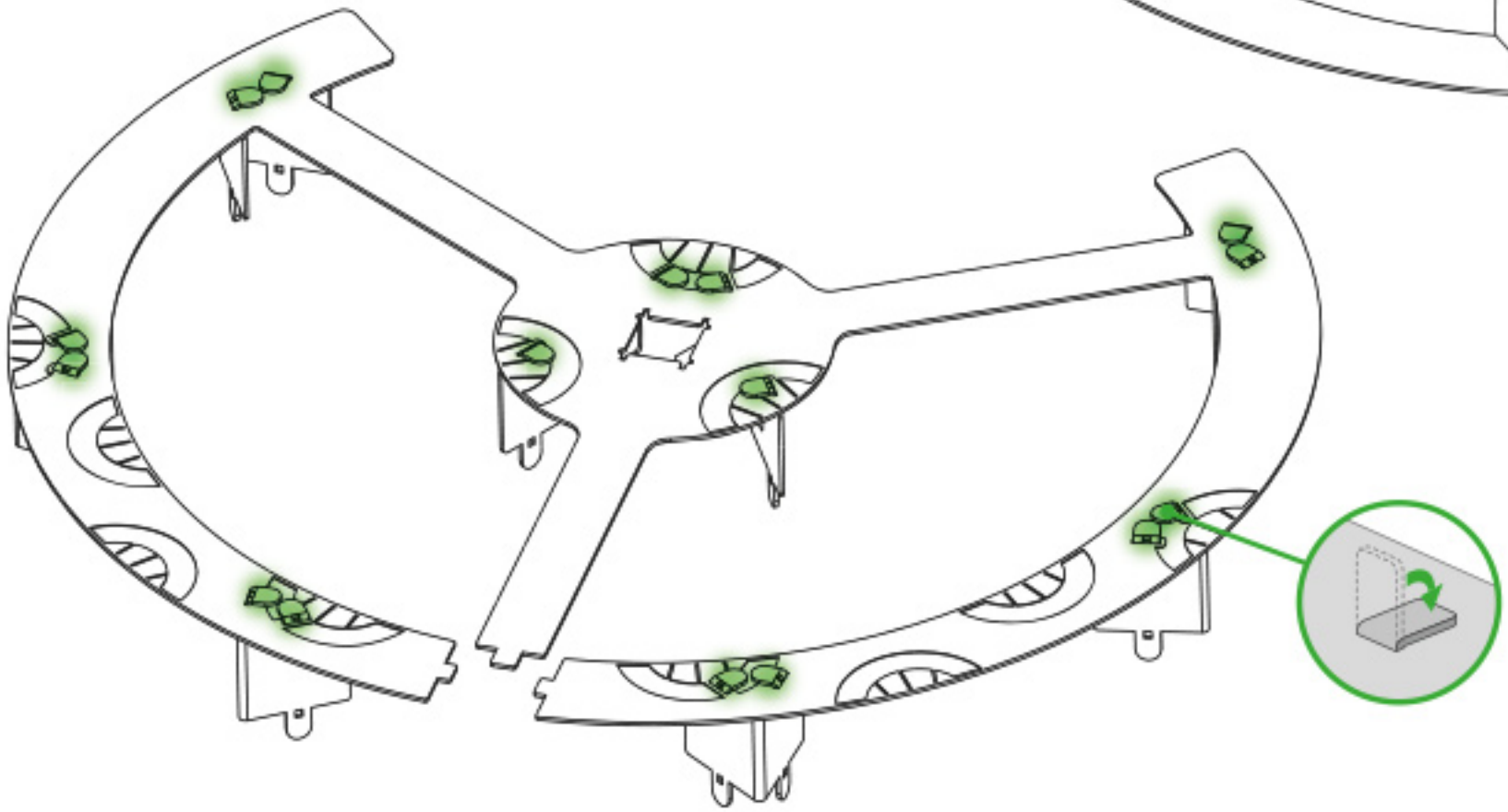
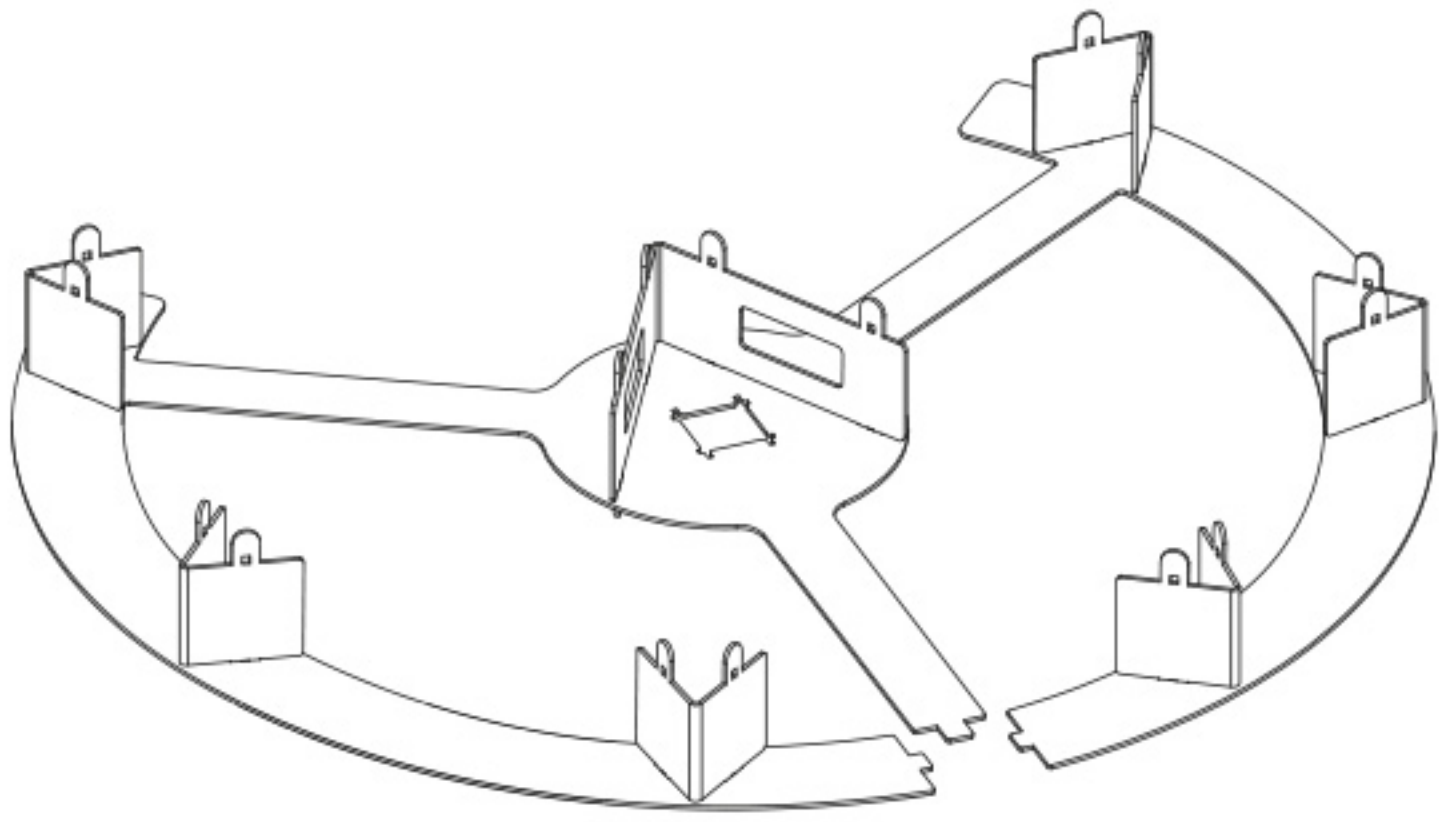
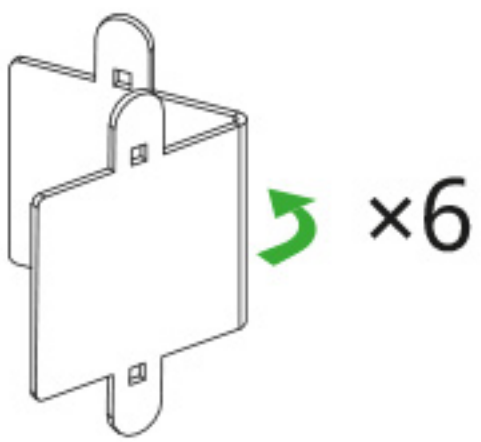
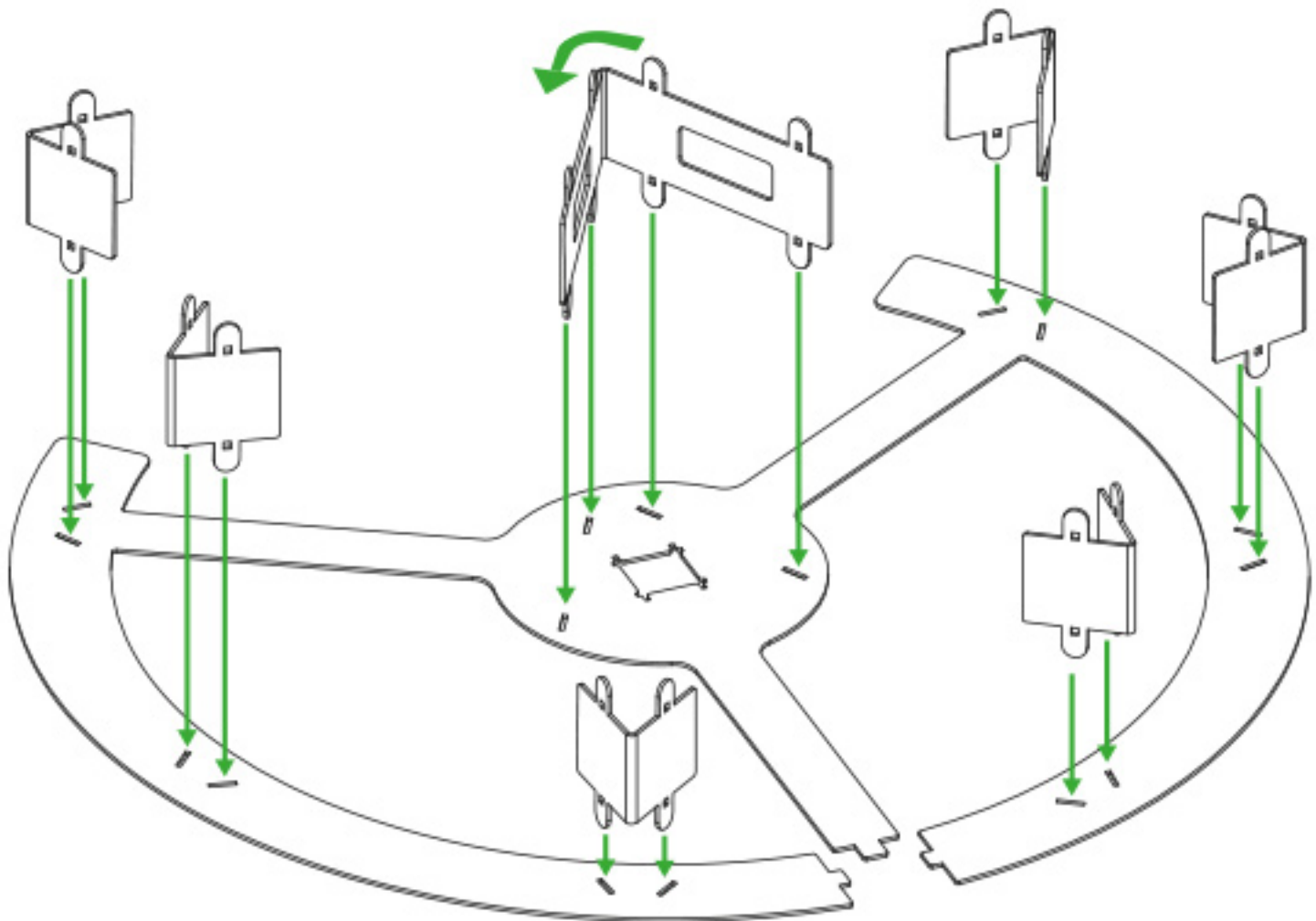


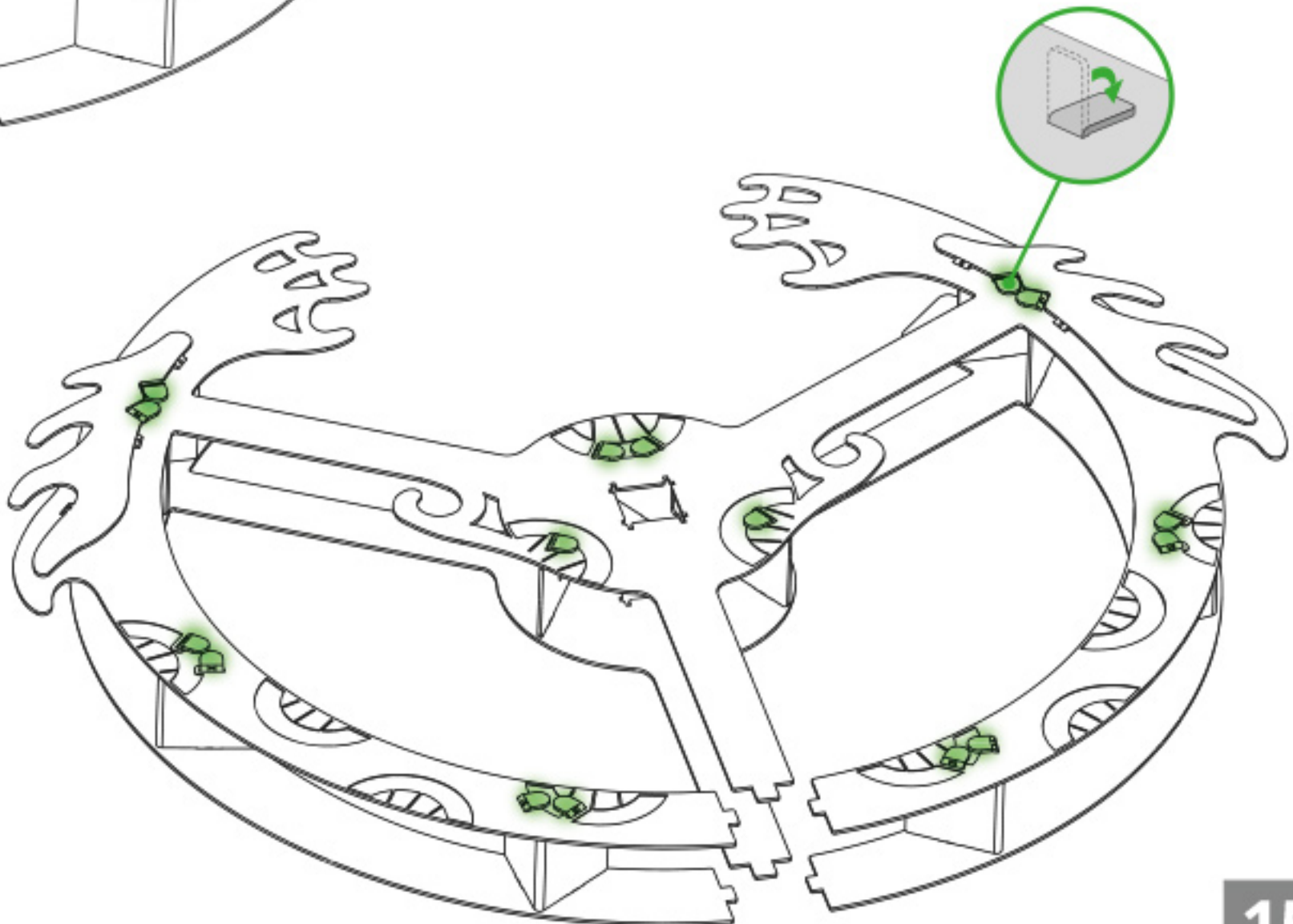
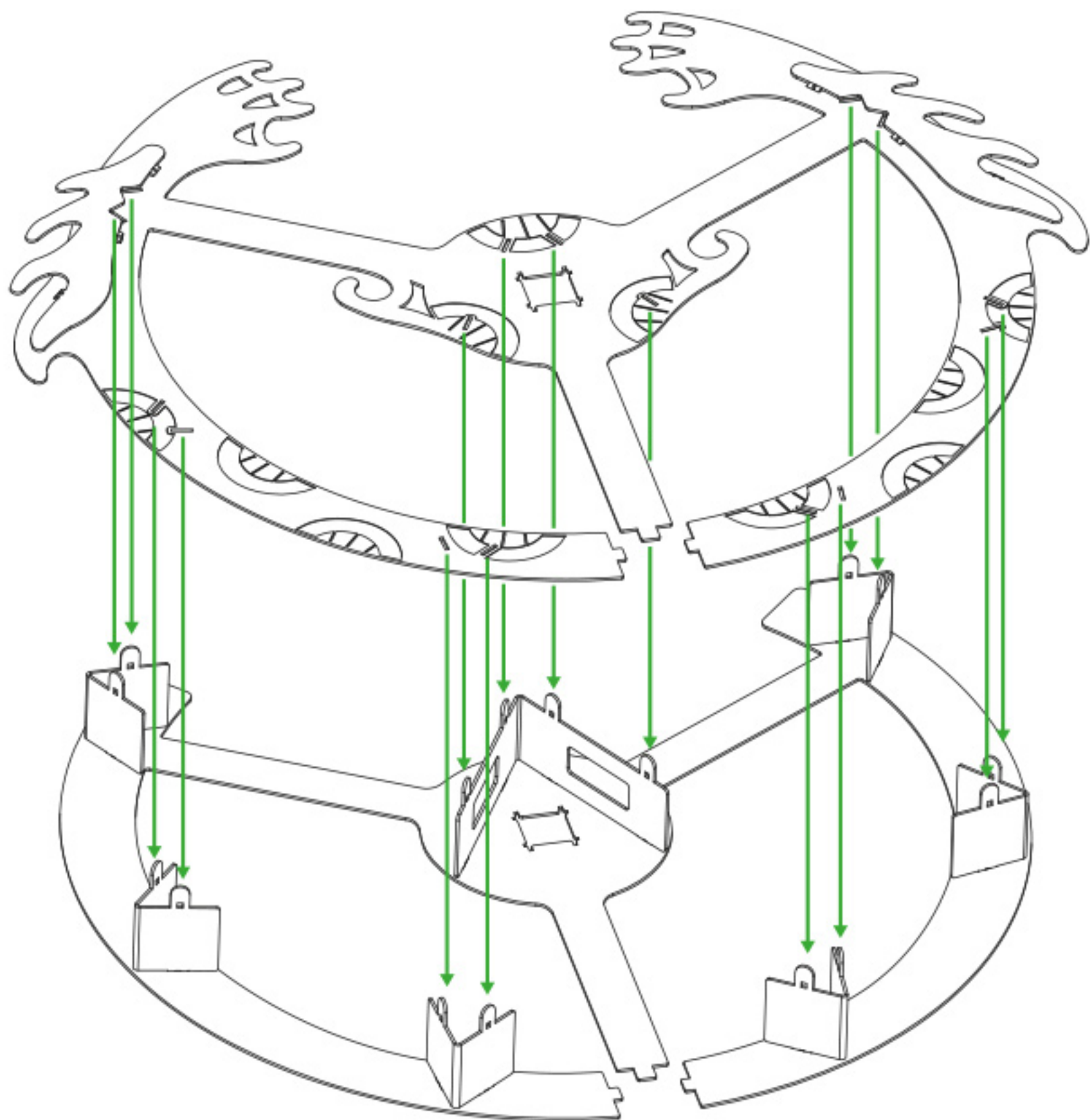


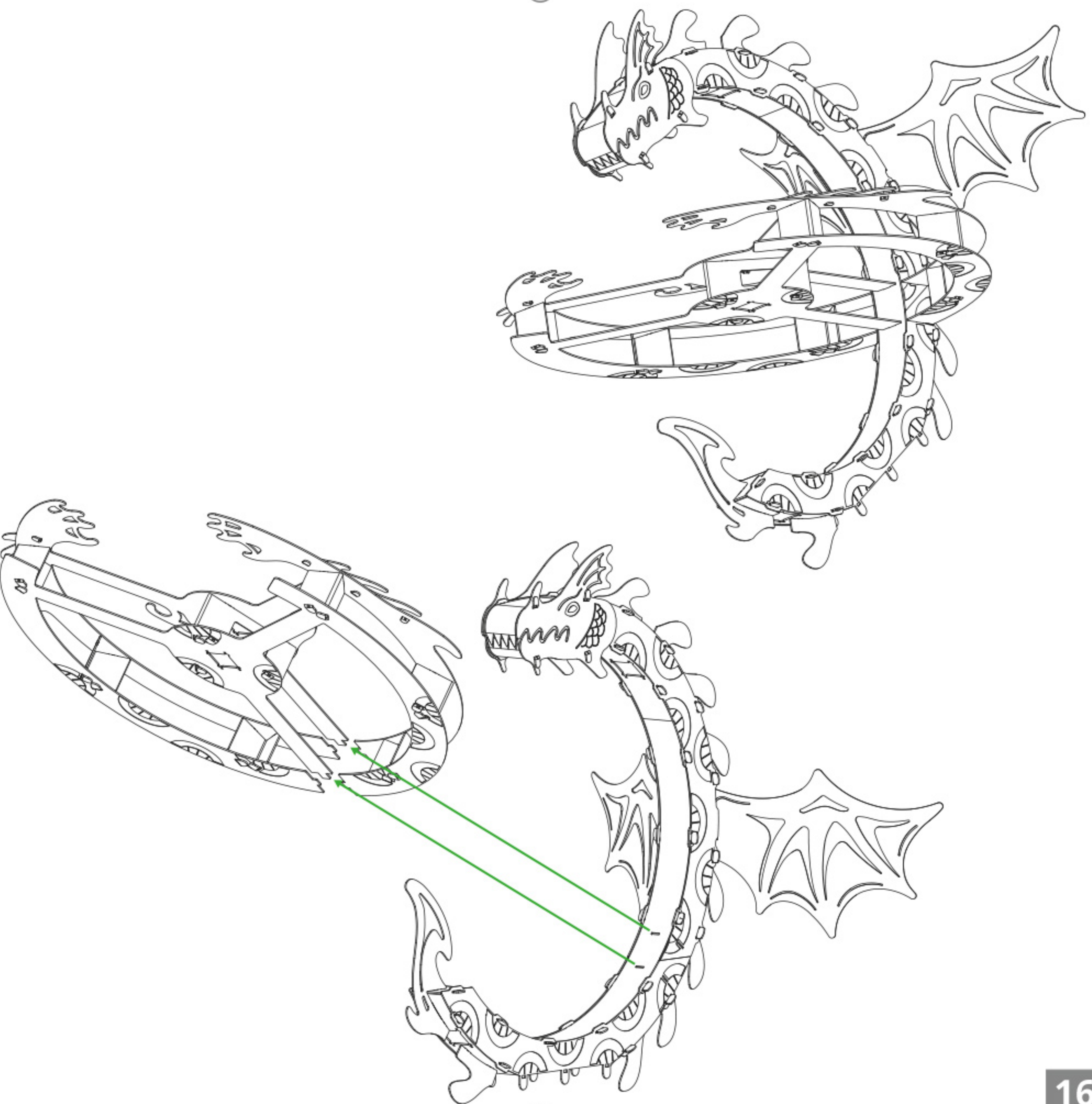
#4

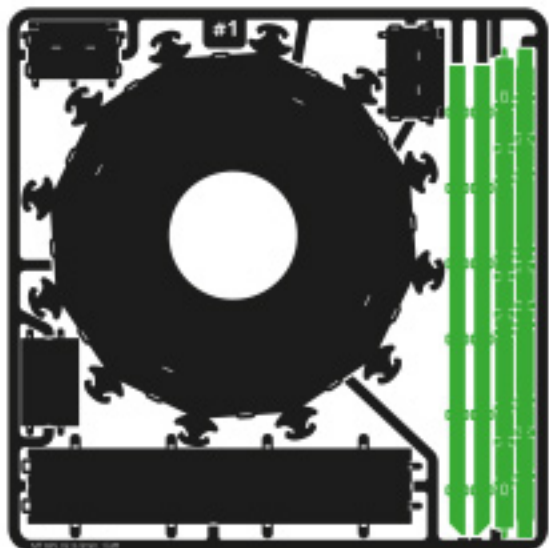


#5

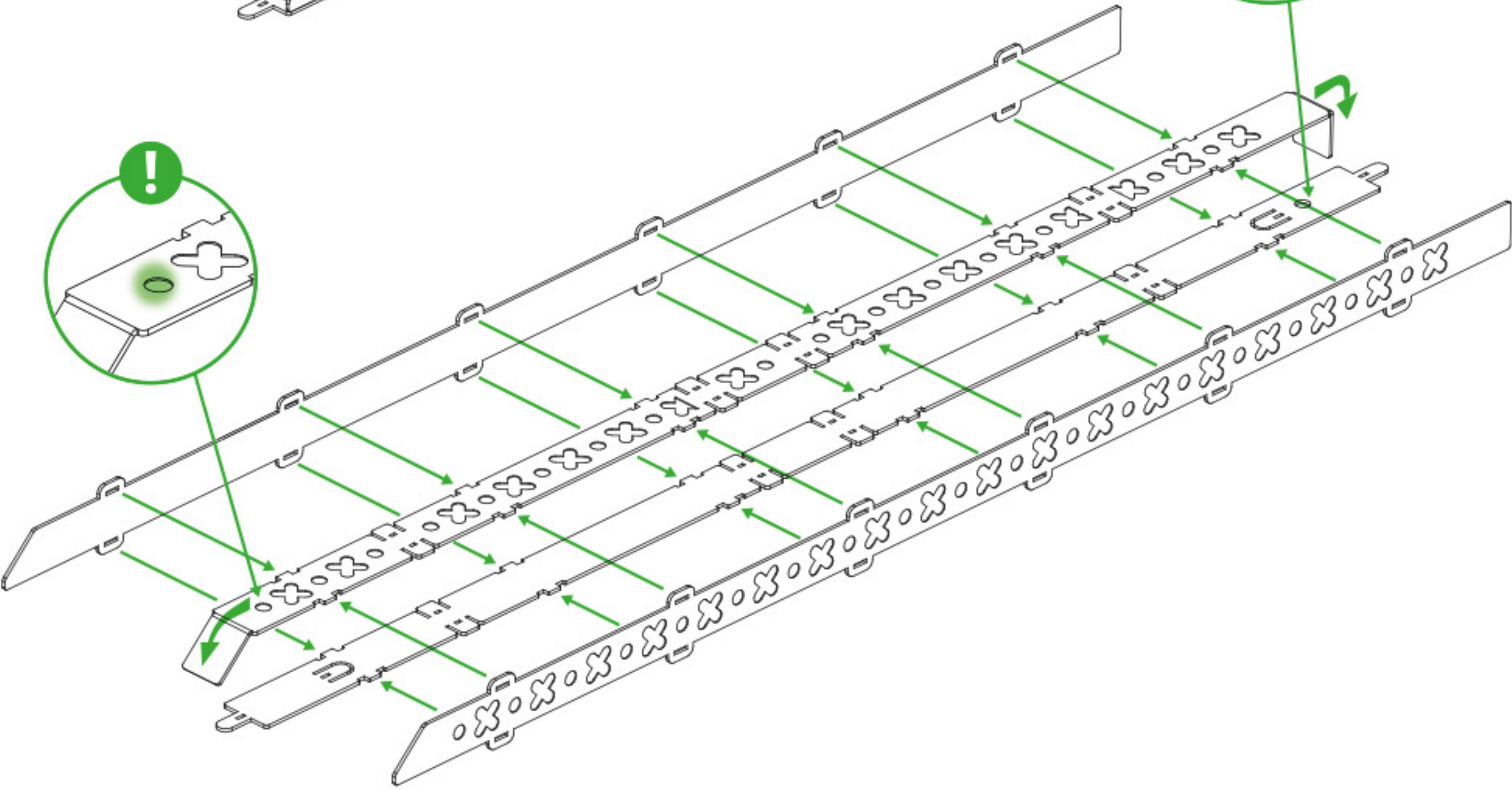
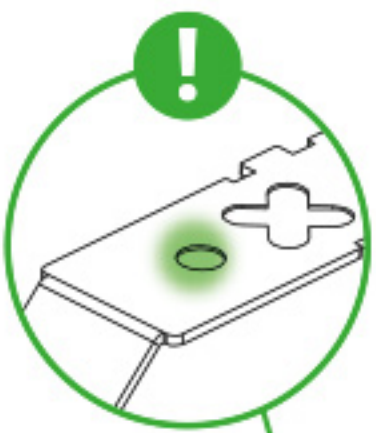
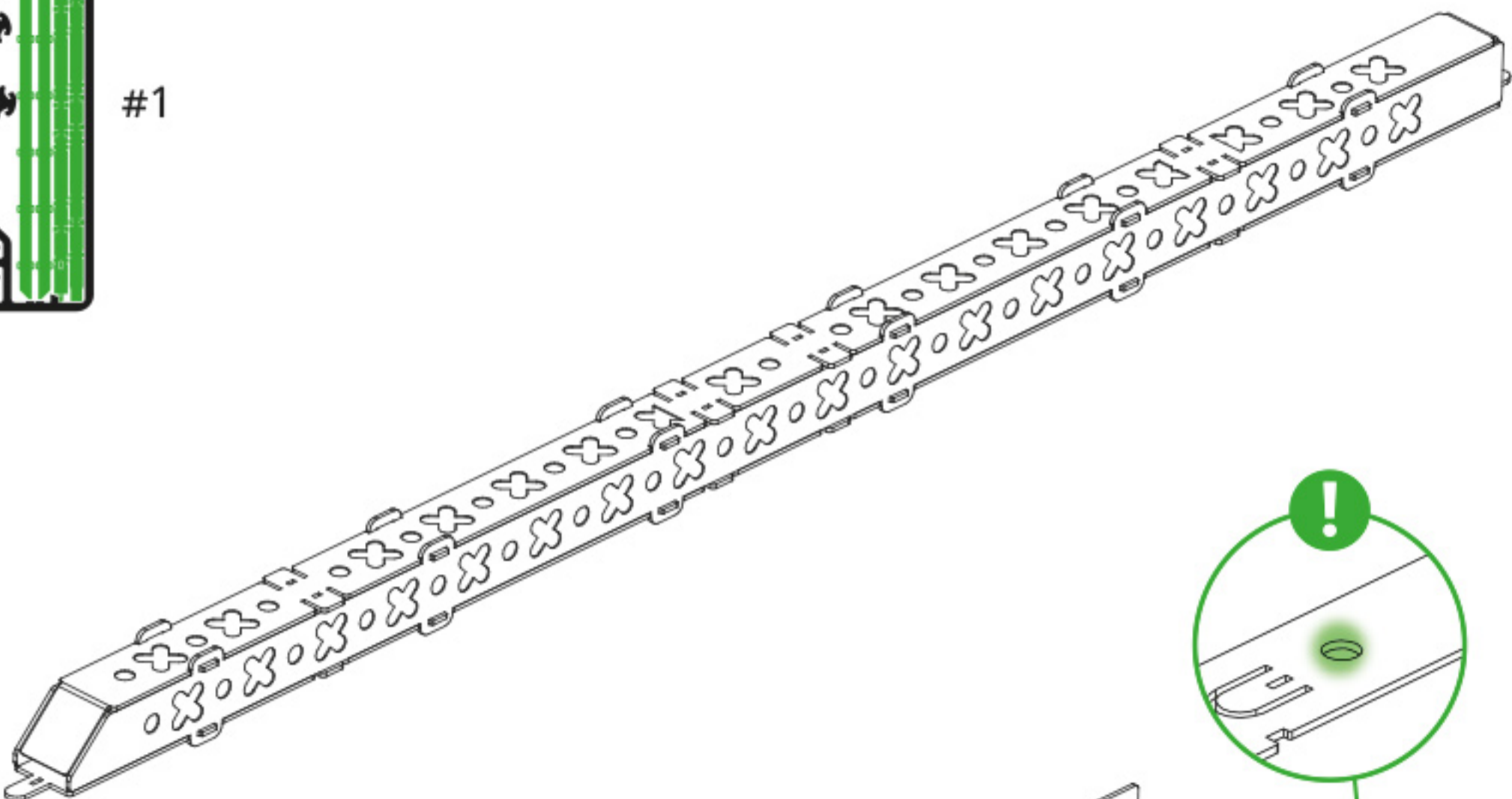


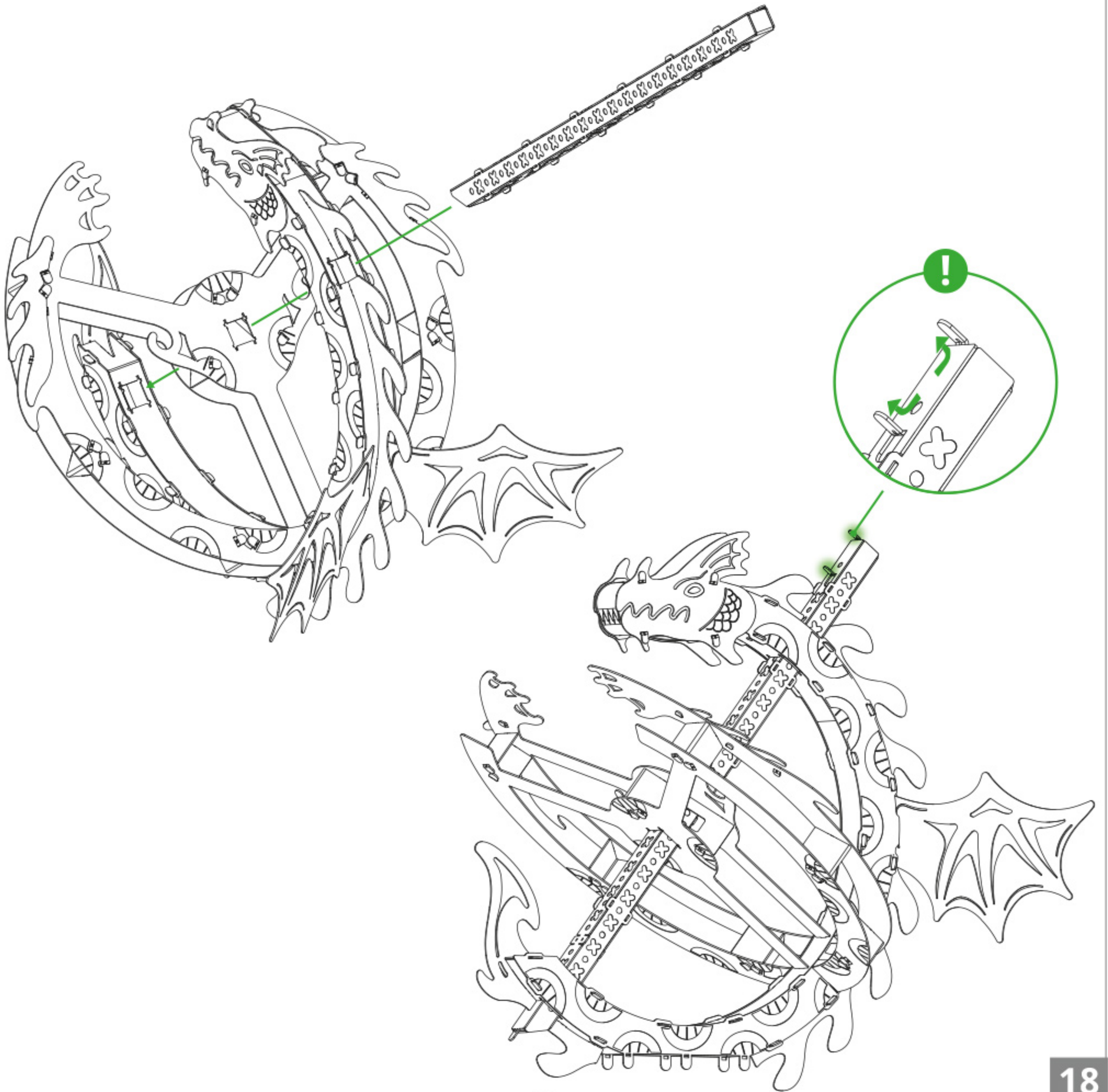






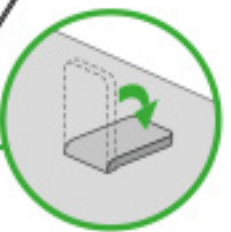
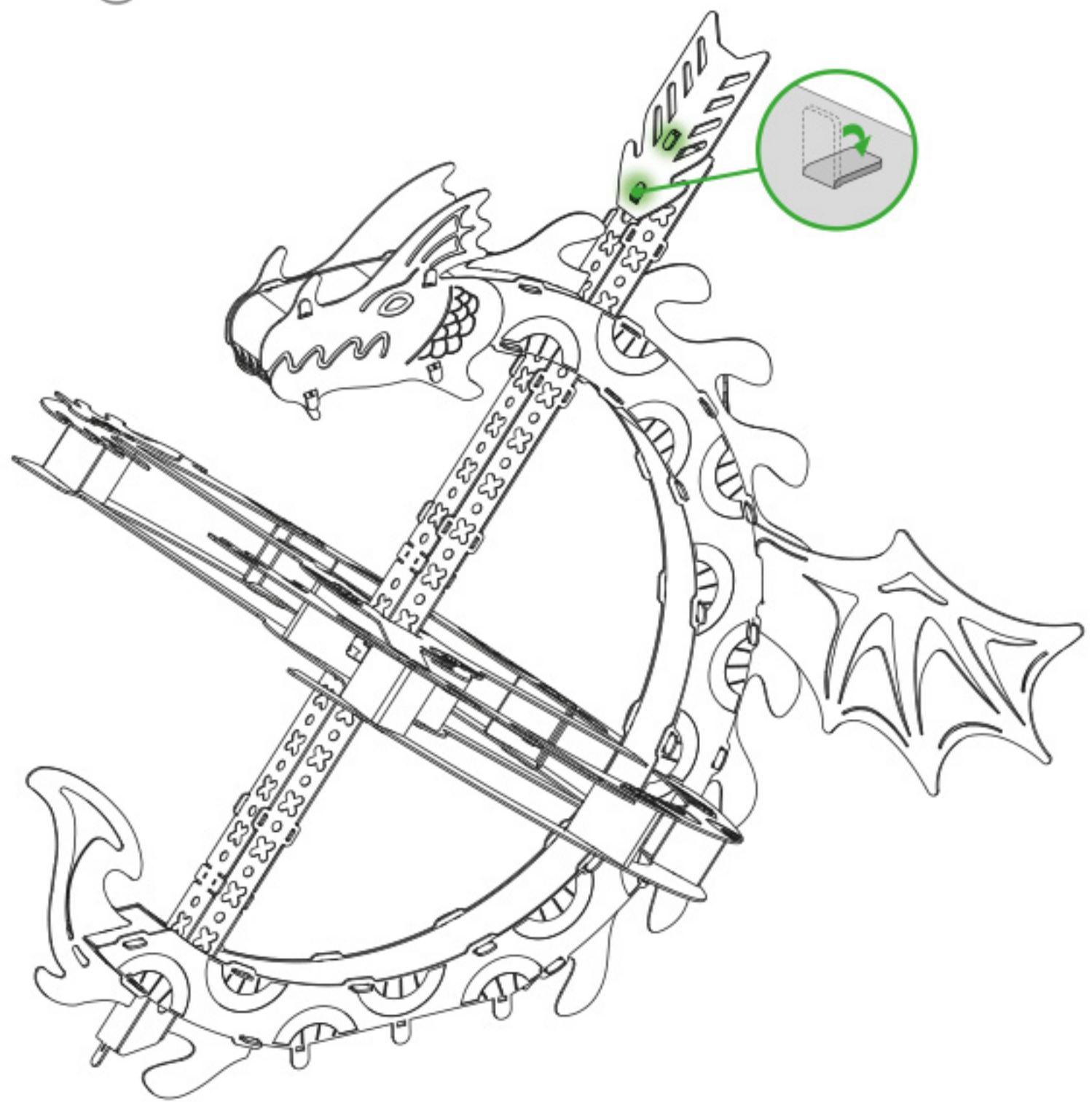
#1





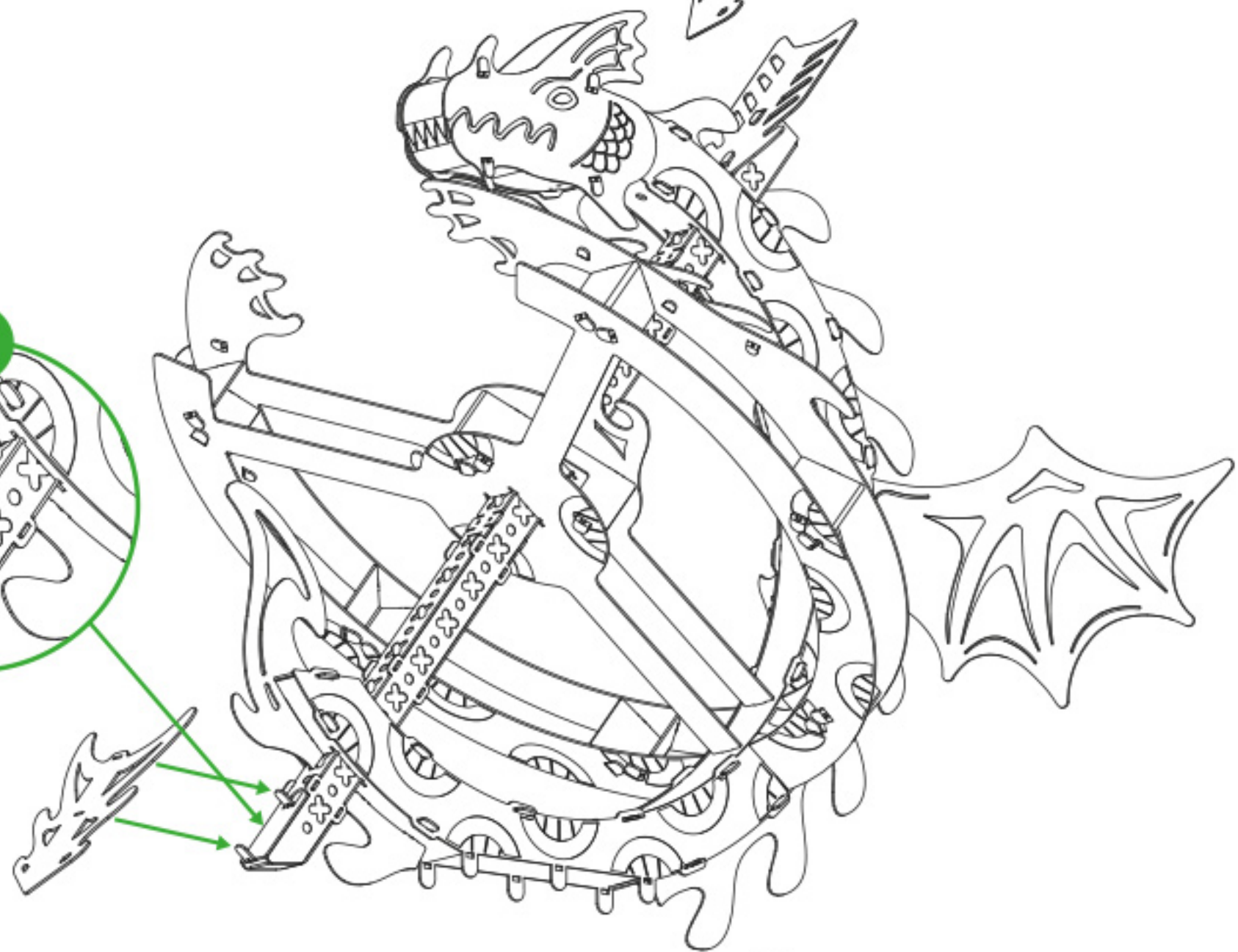
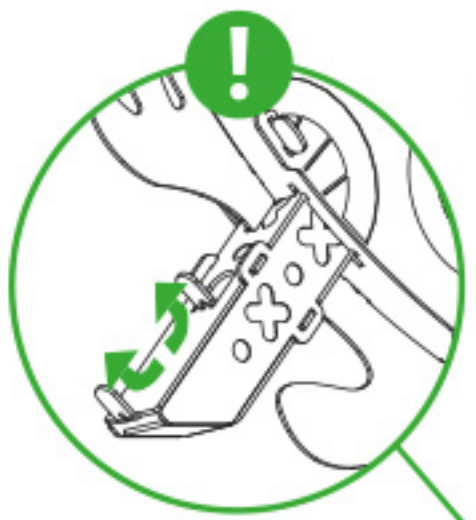
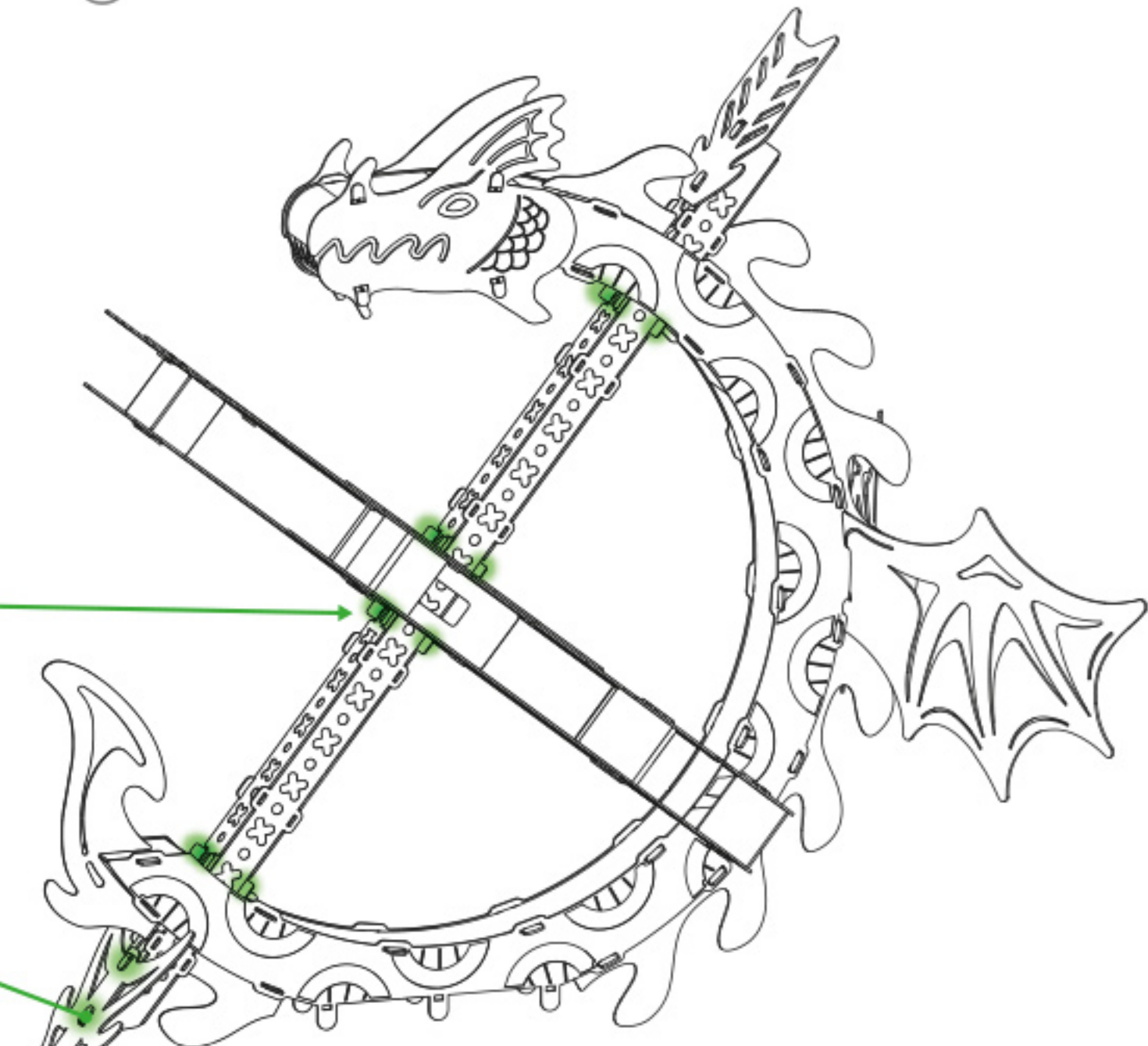
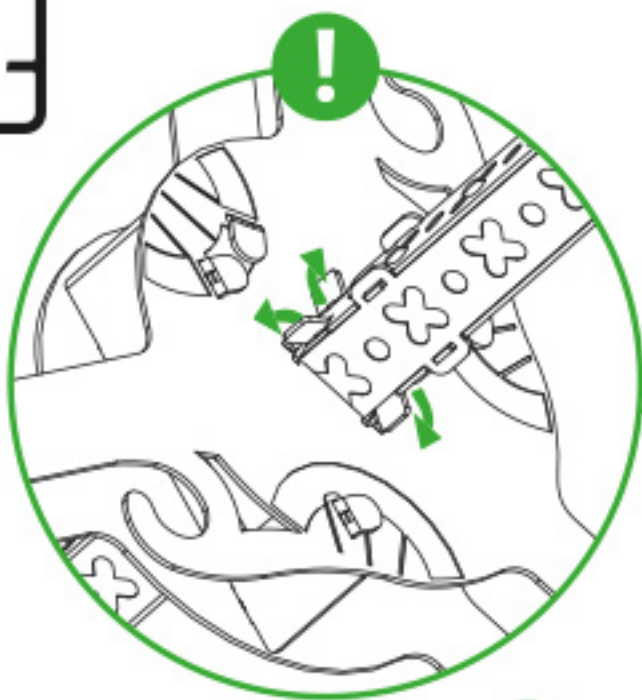


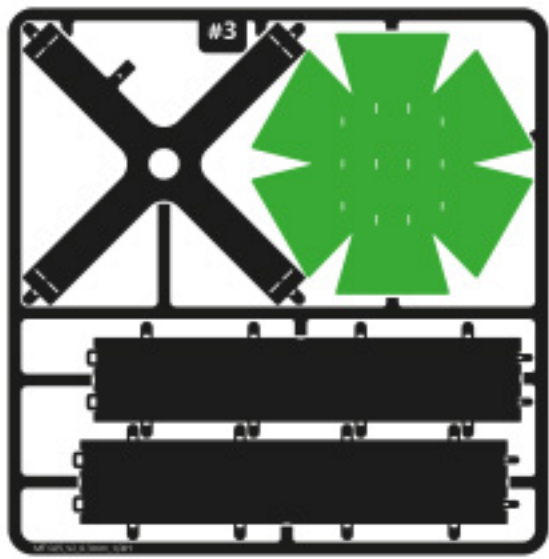
#4



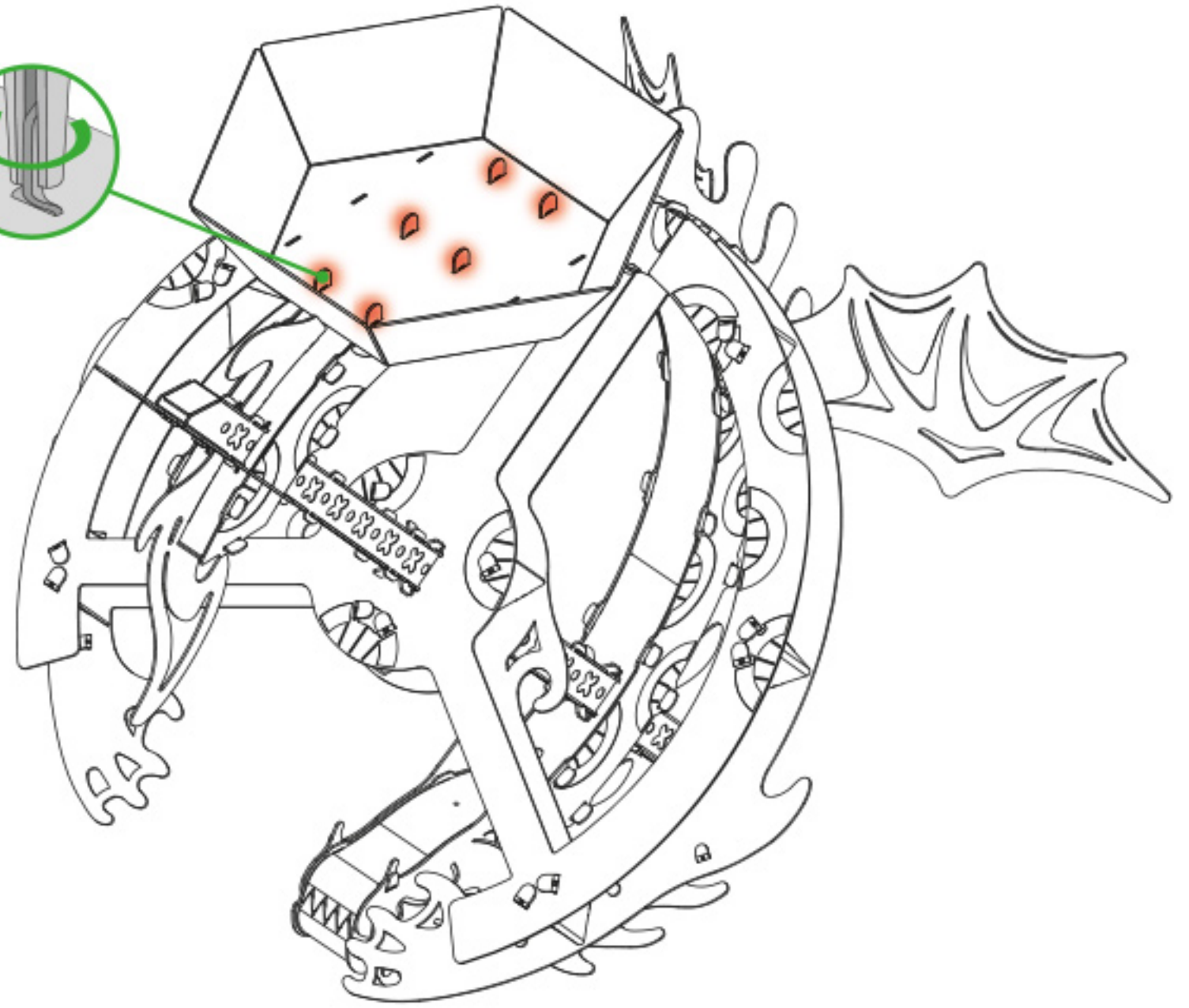


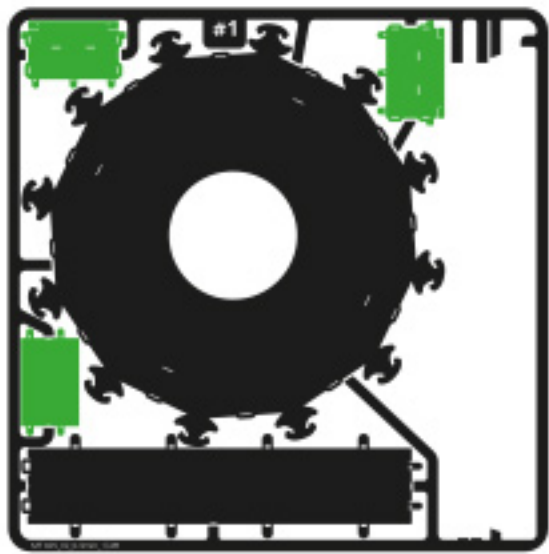
#4



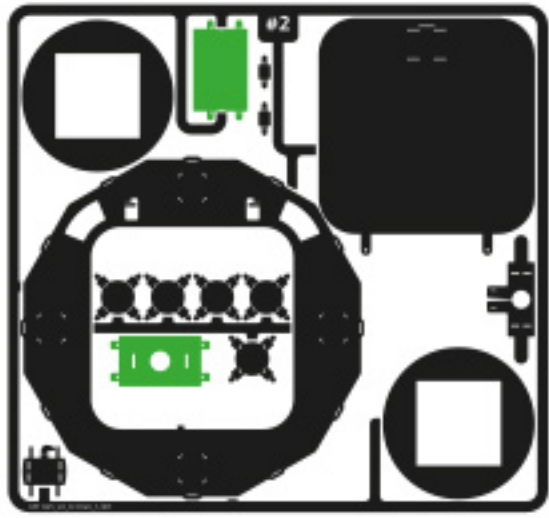


#3

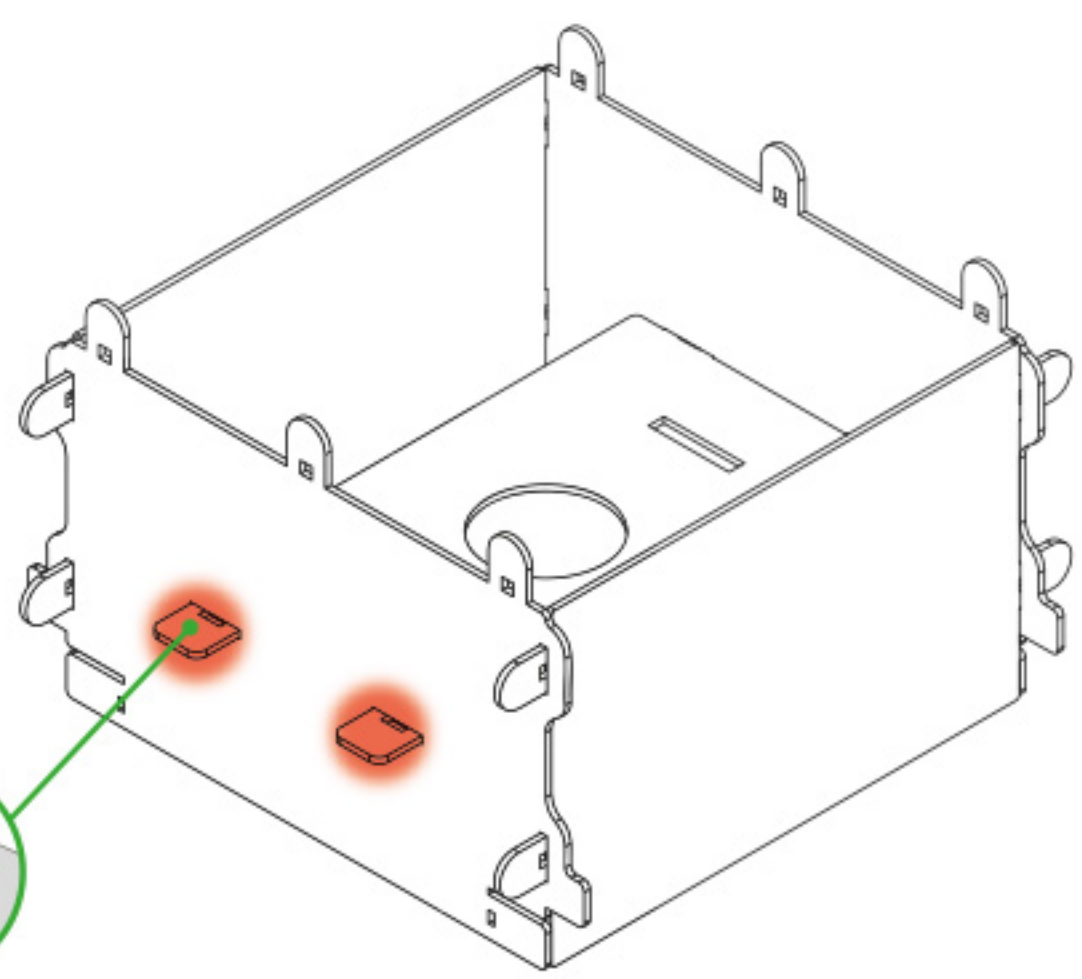
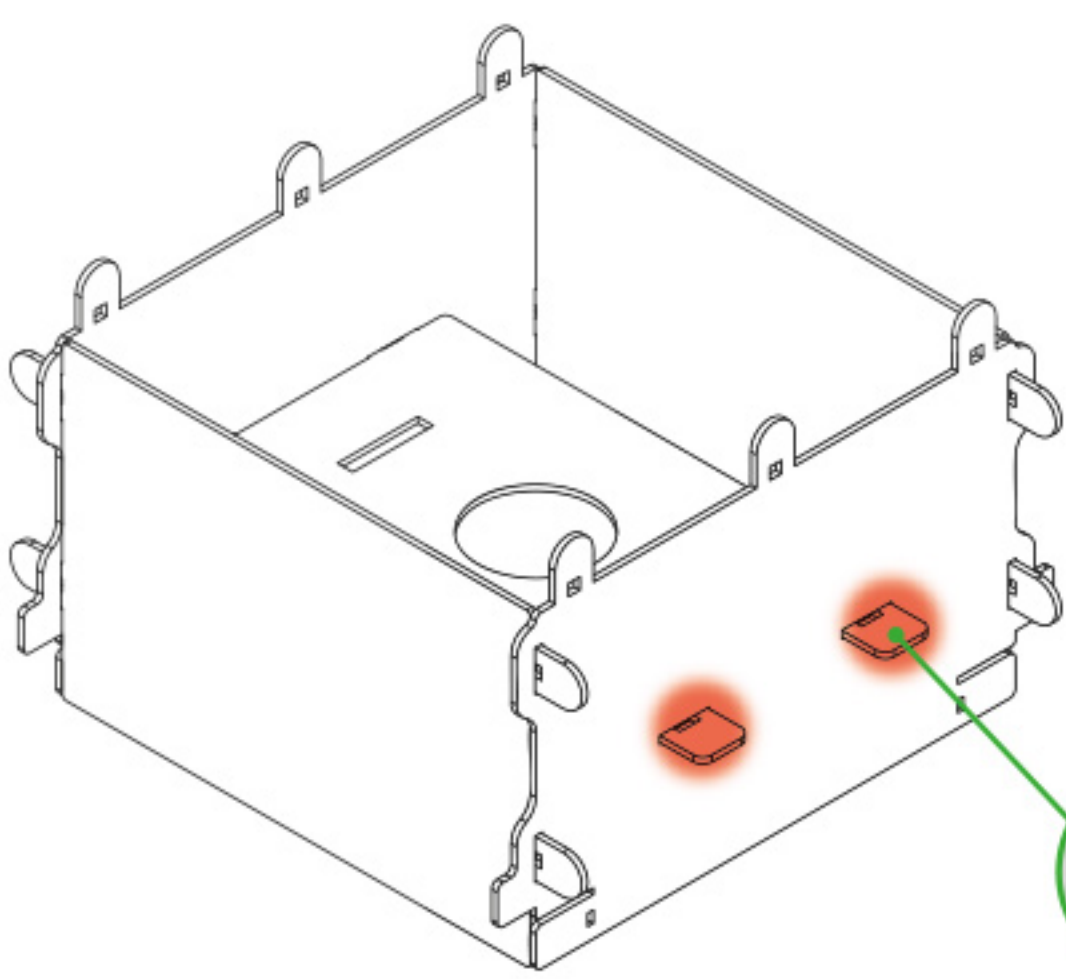
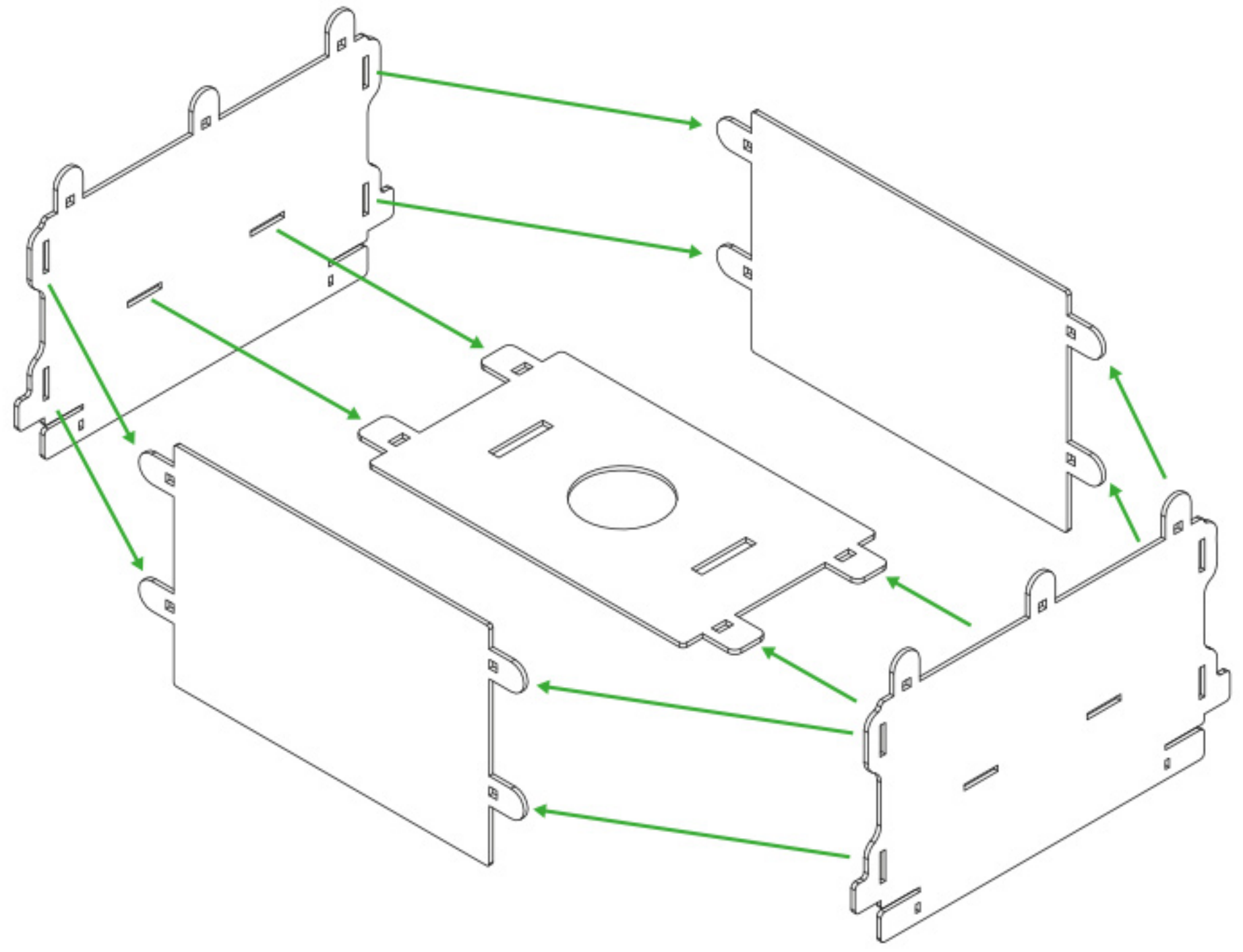


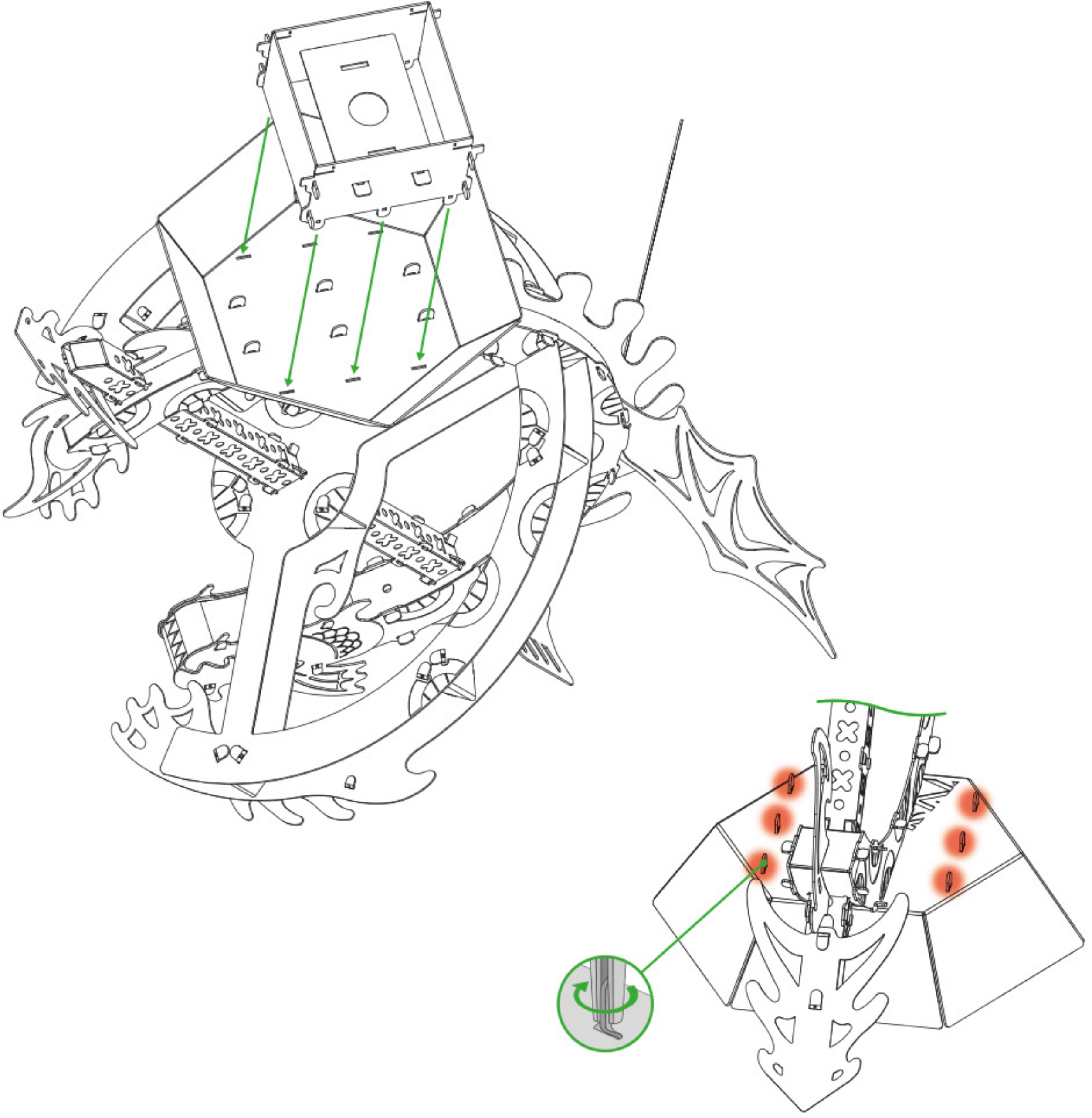


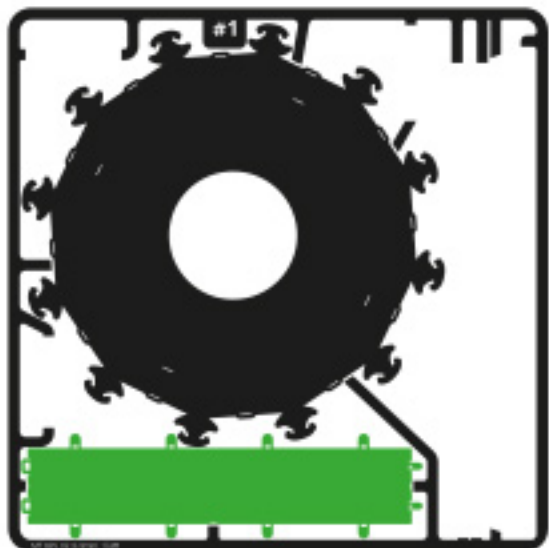
#1



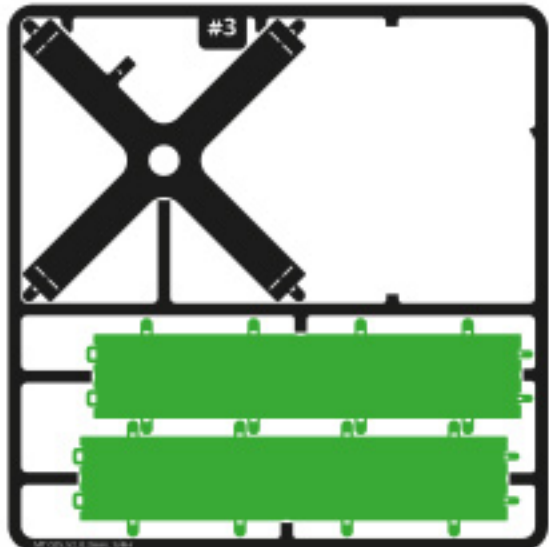
#2



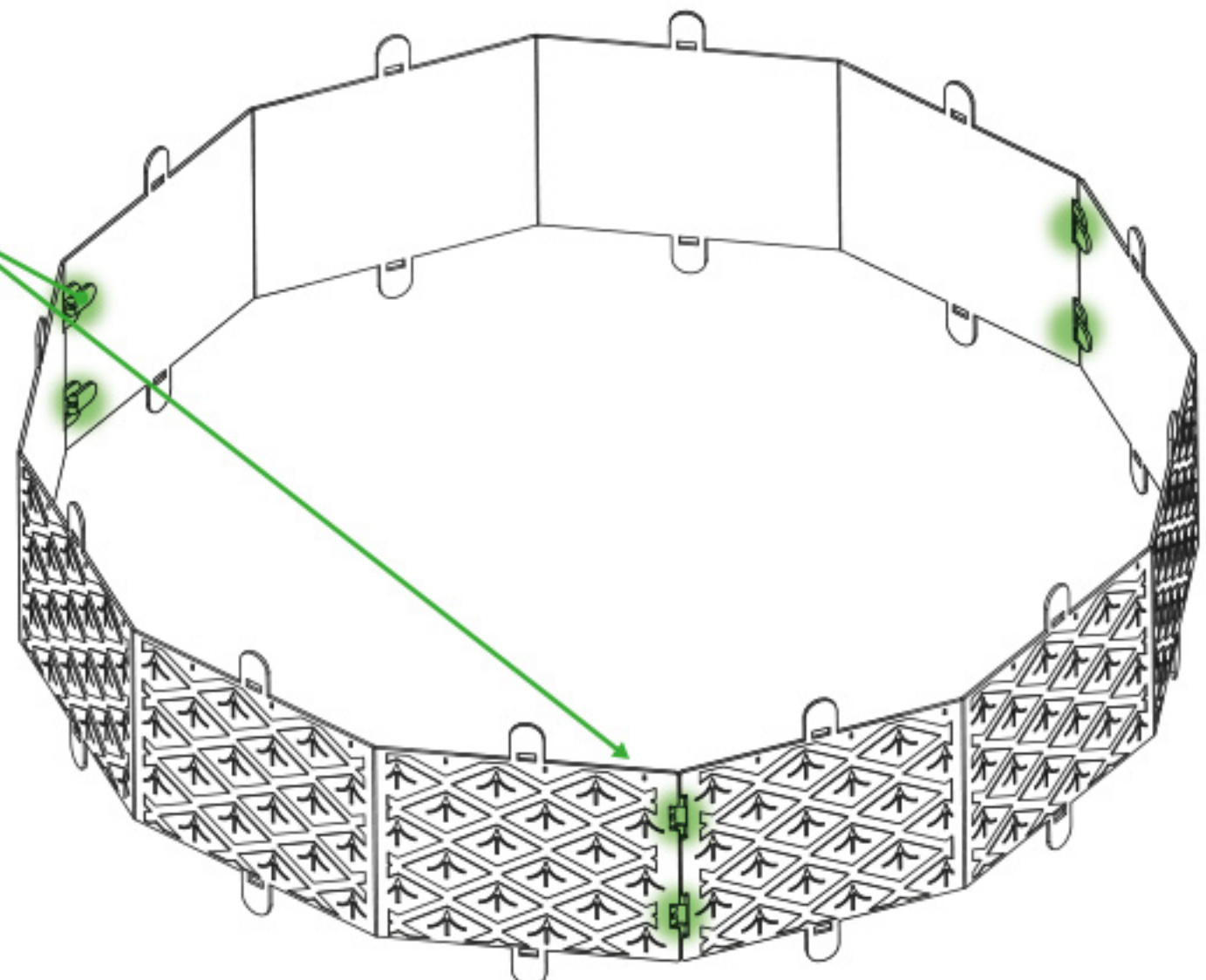
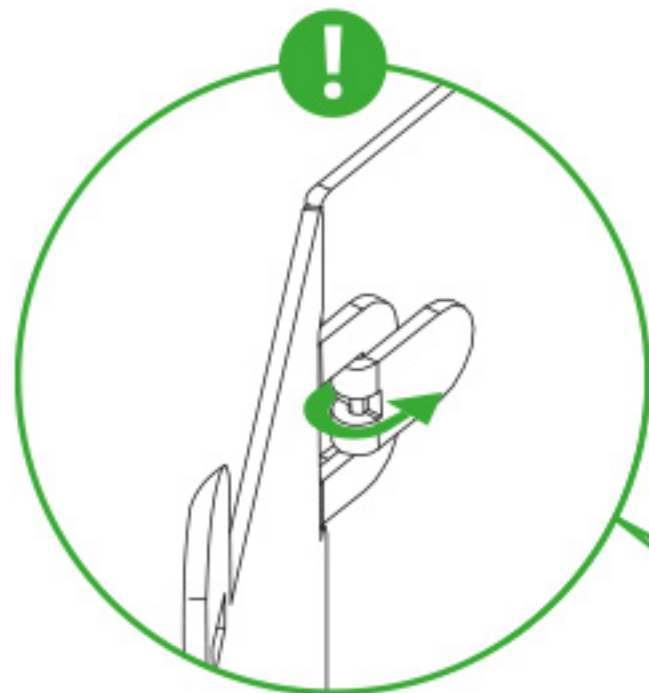
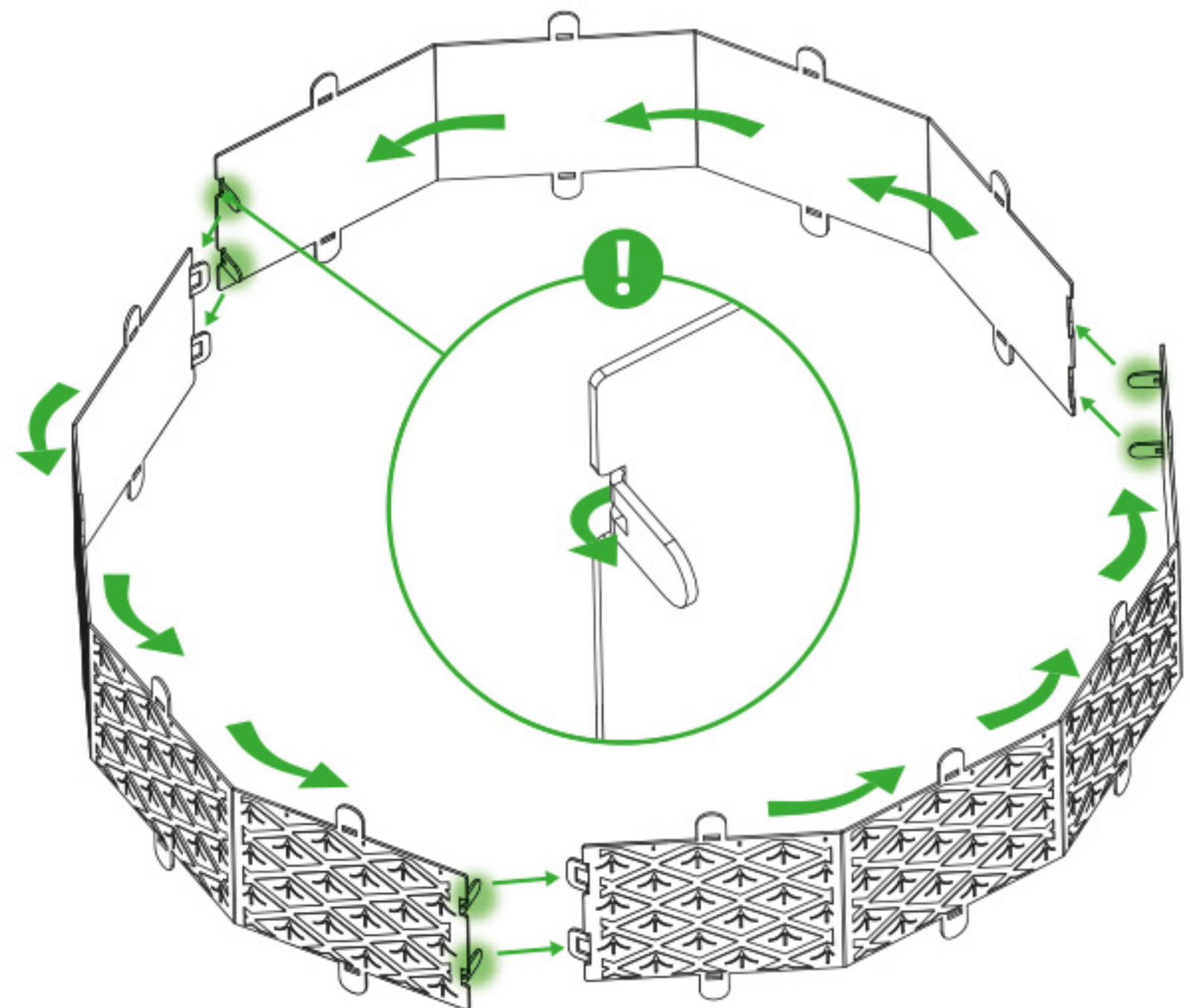


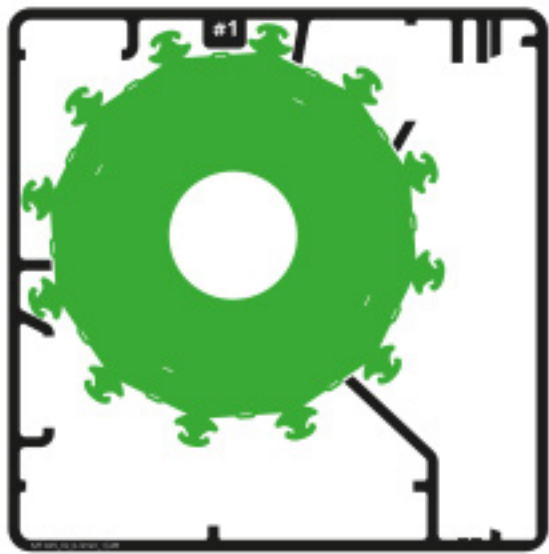


#1

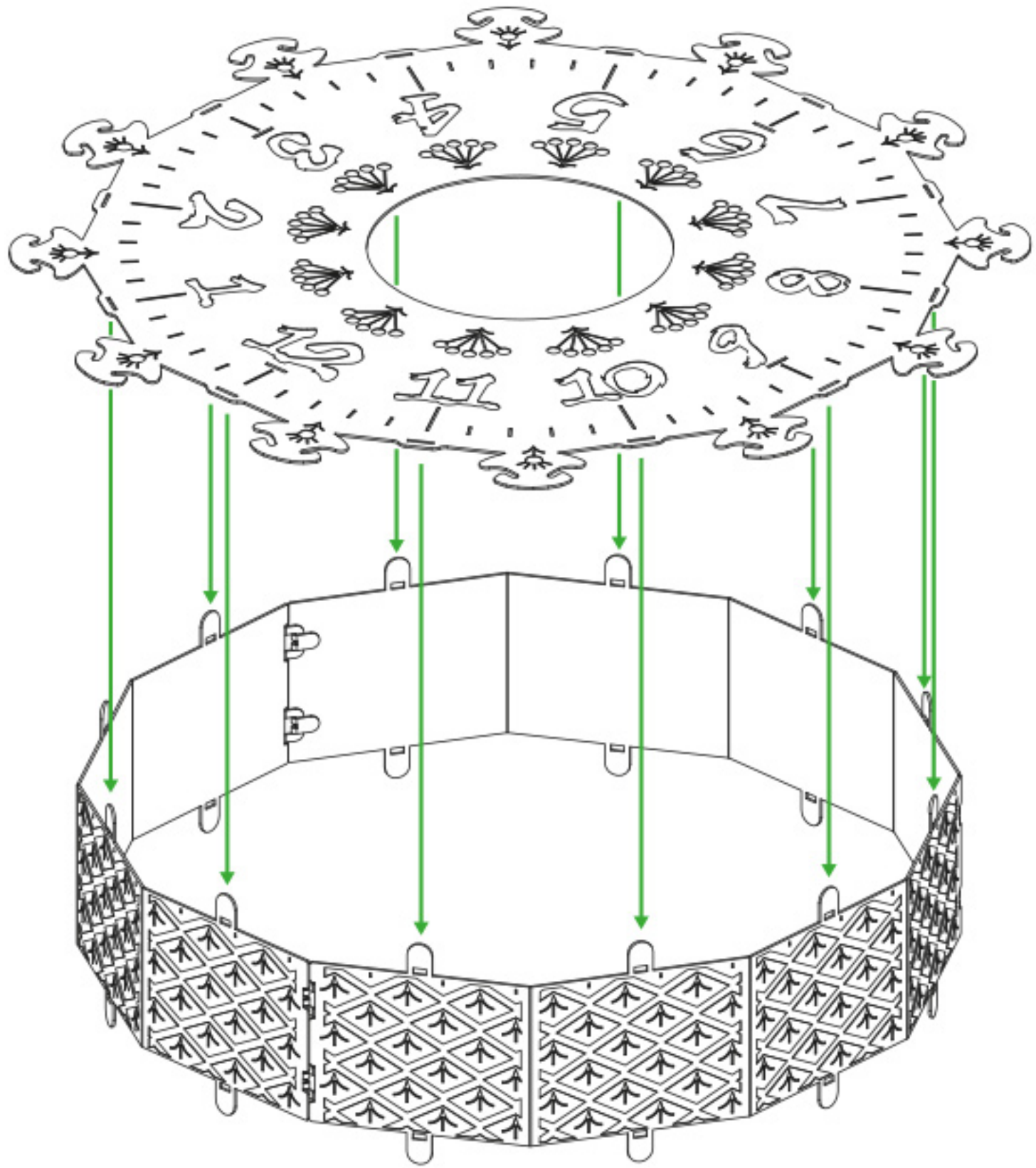
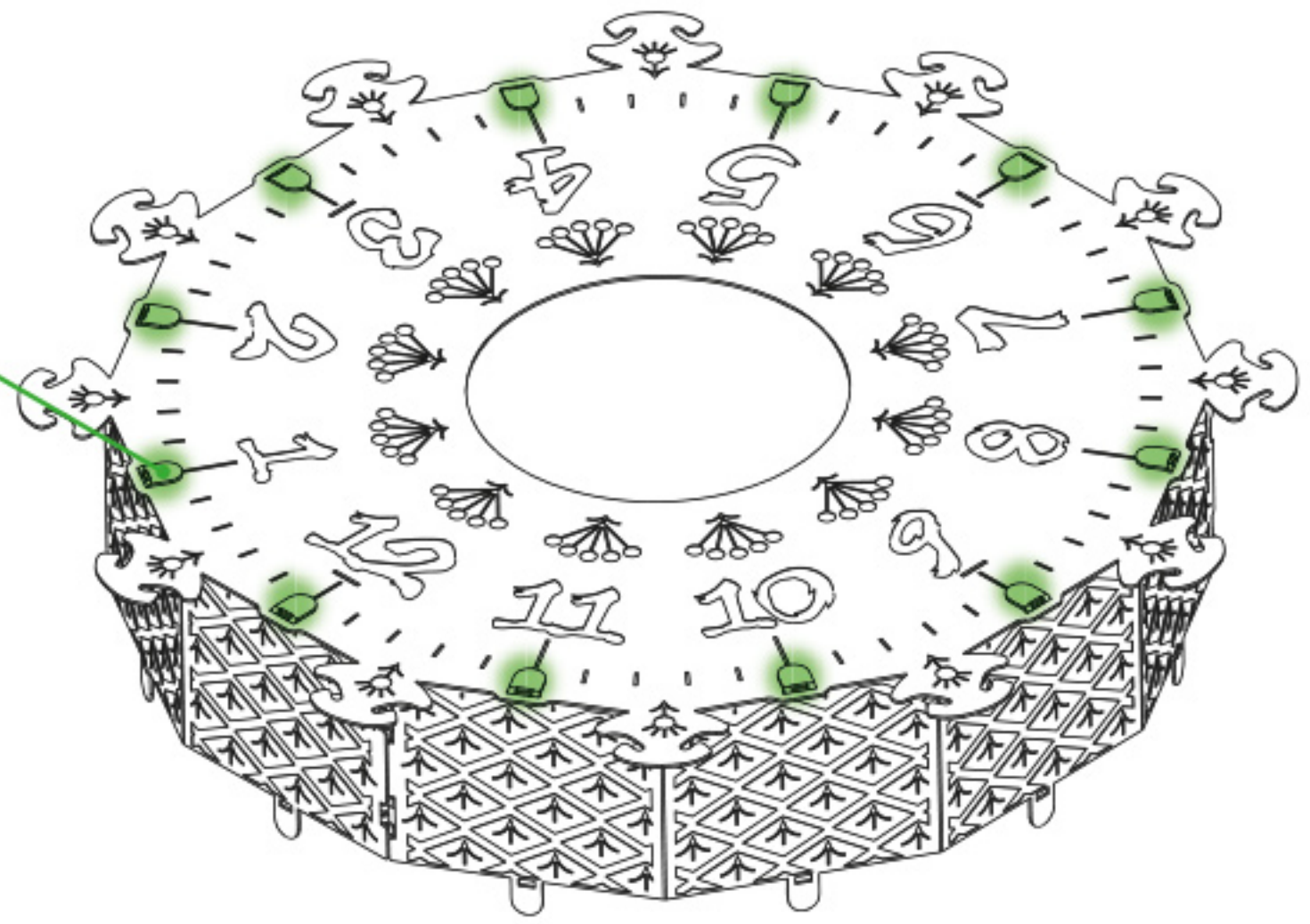


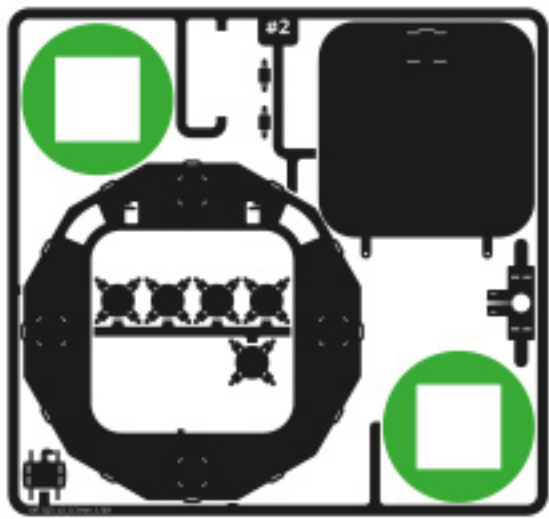
#3





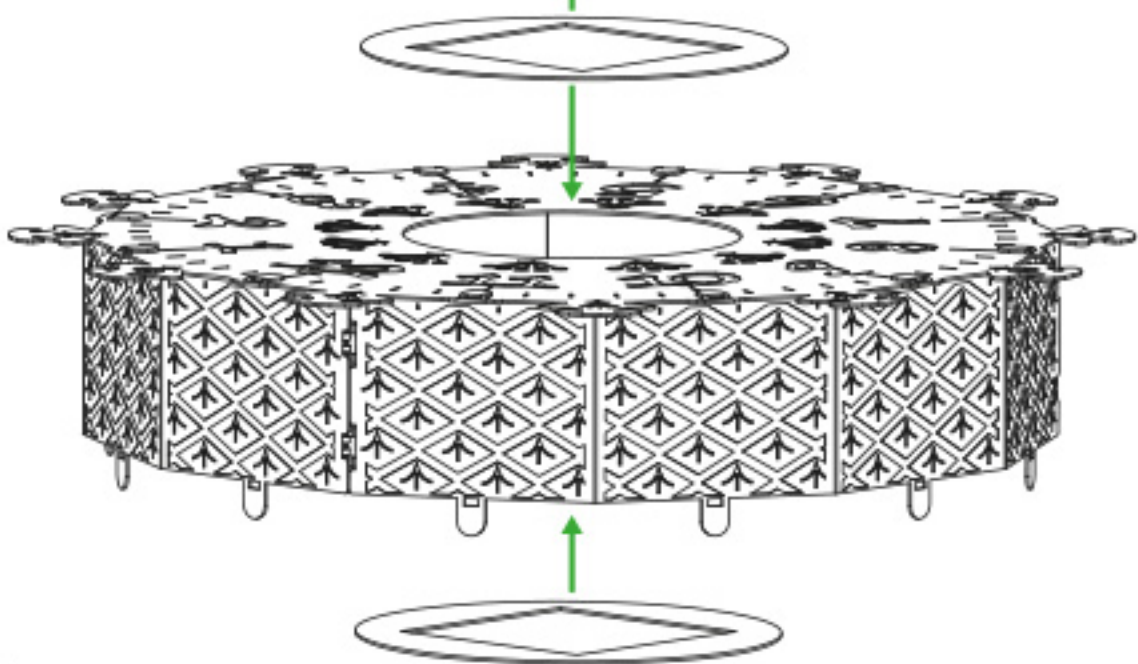
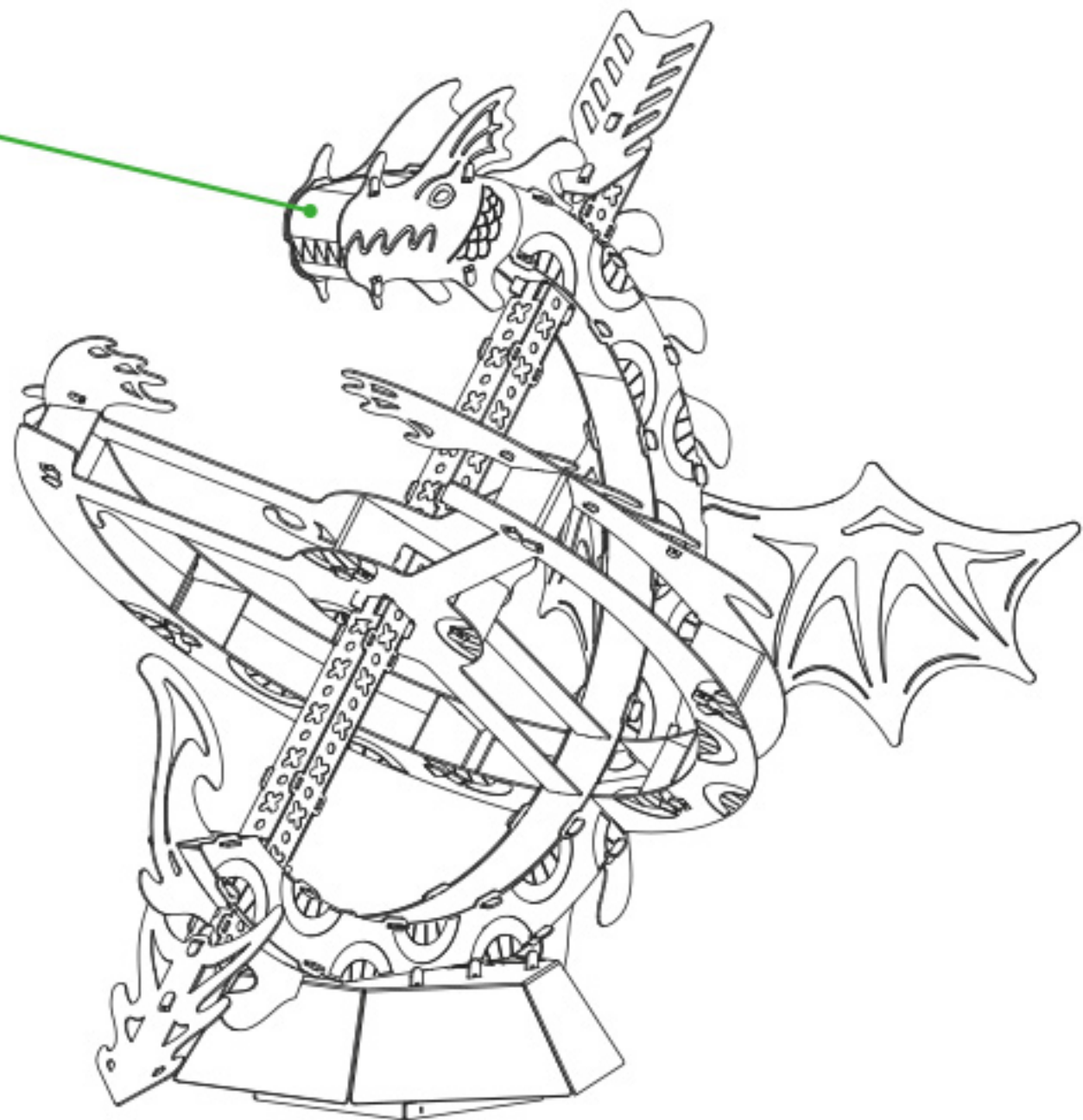
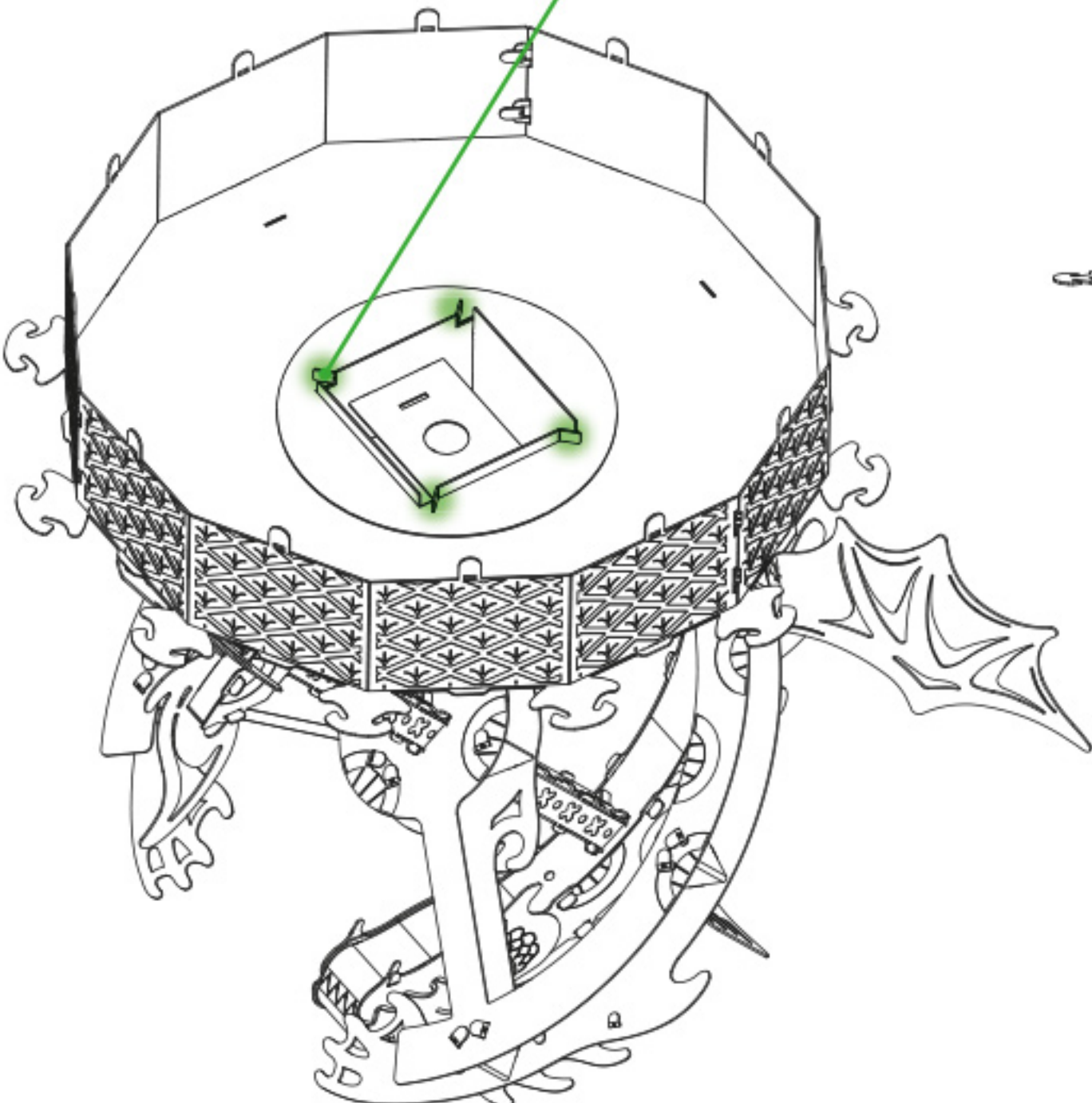
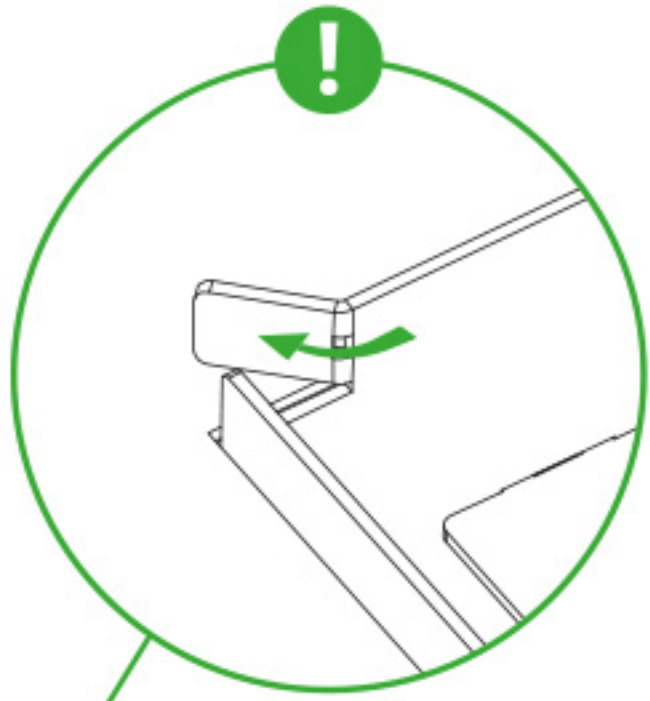
#1

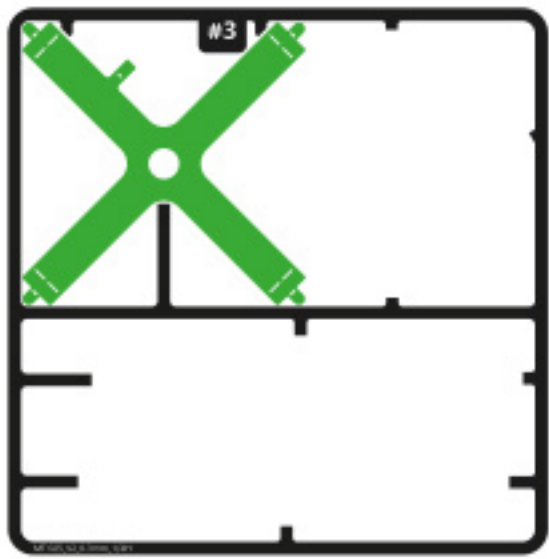




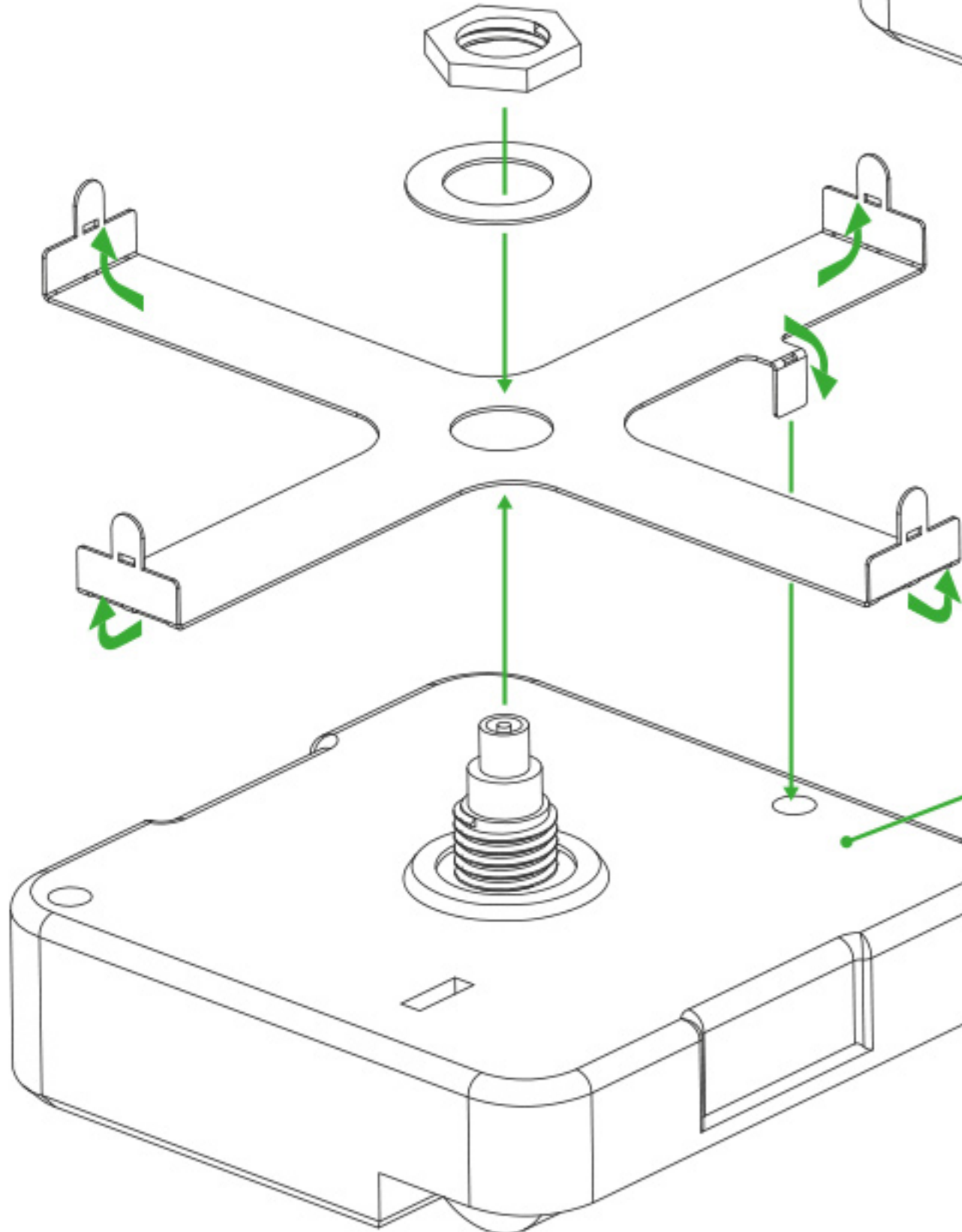
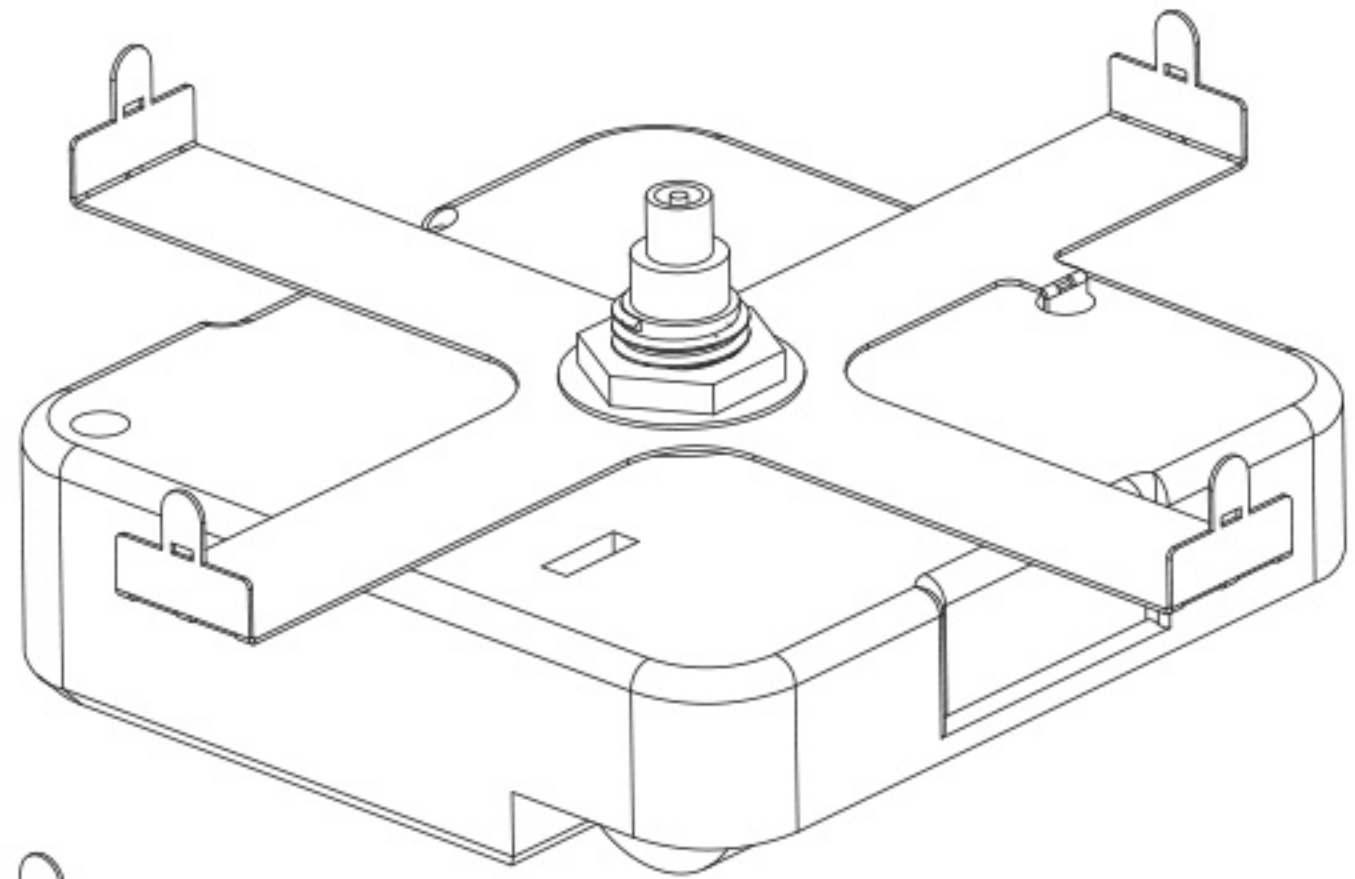
#2

Assembly step 8





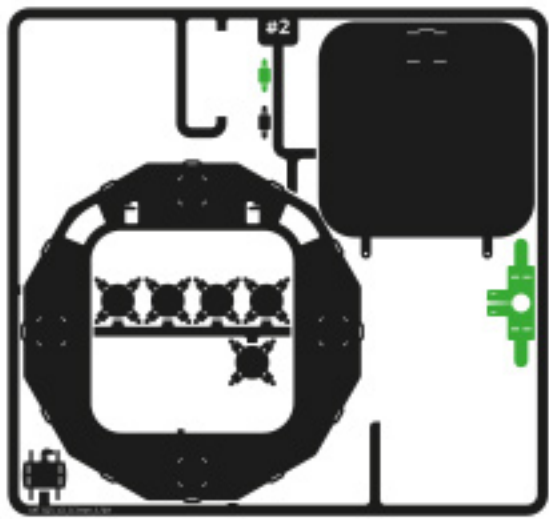
#3



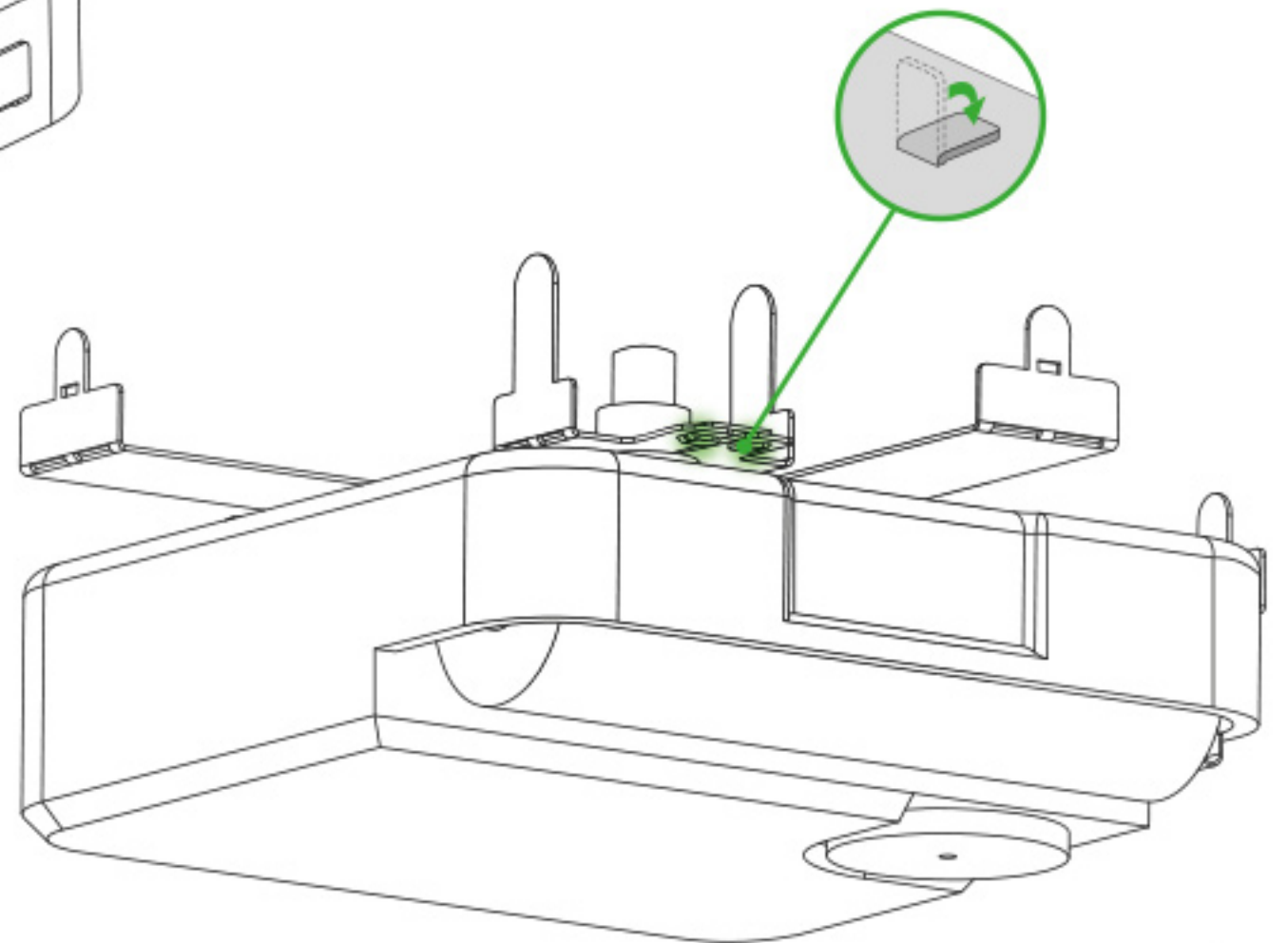
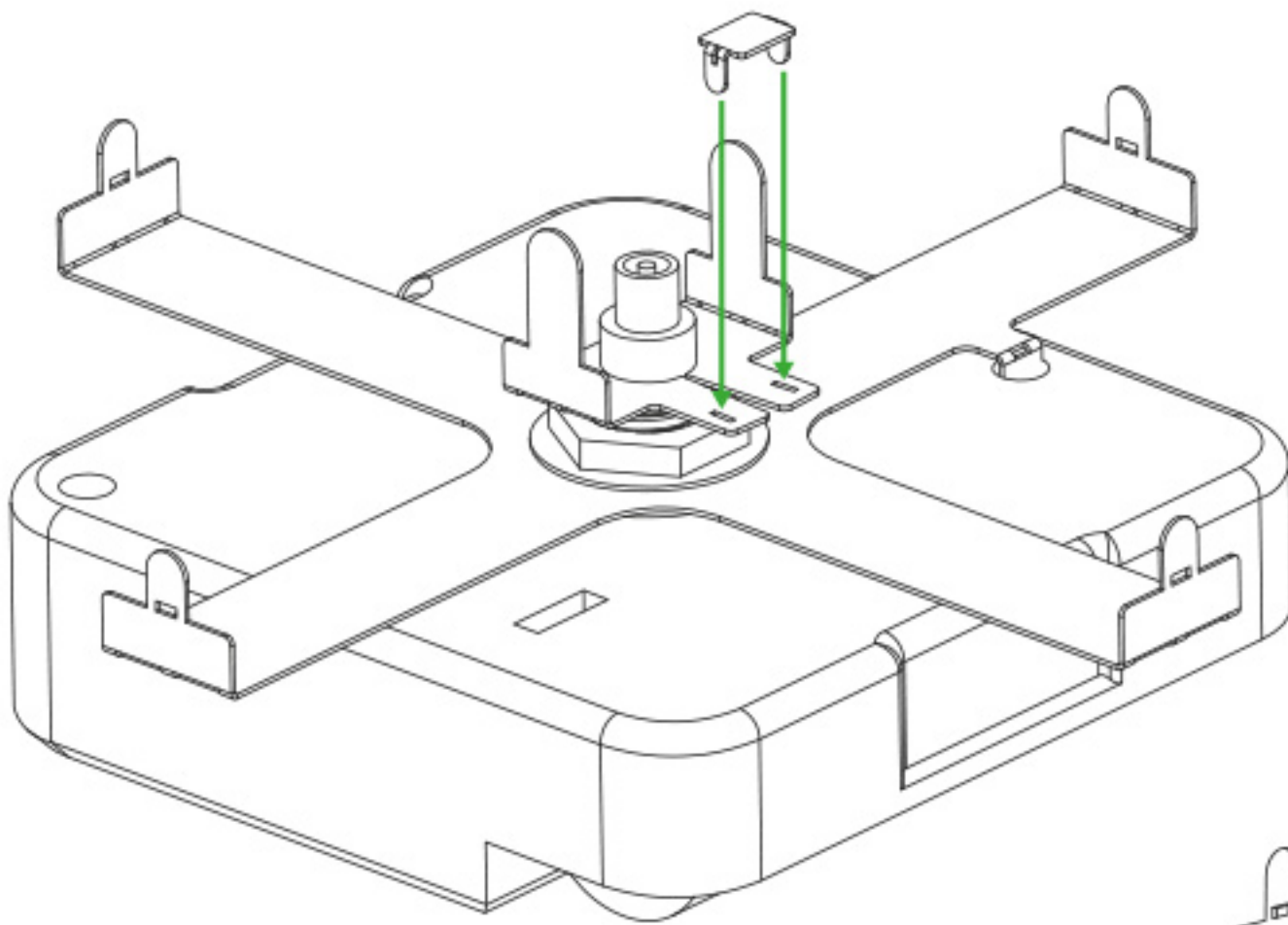
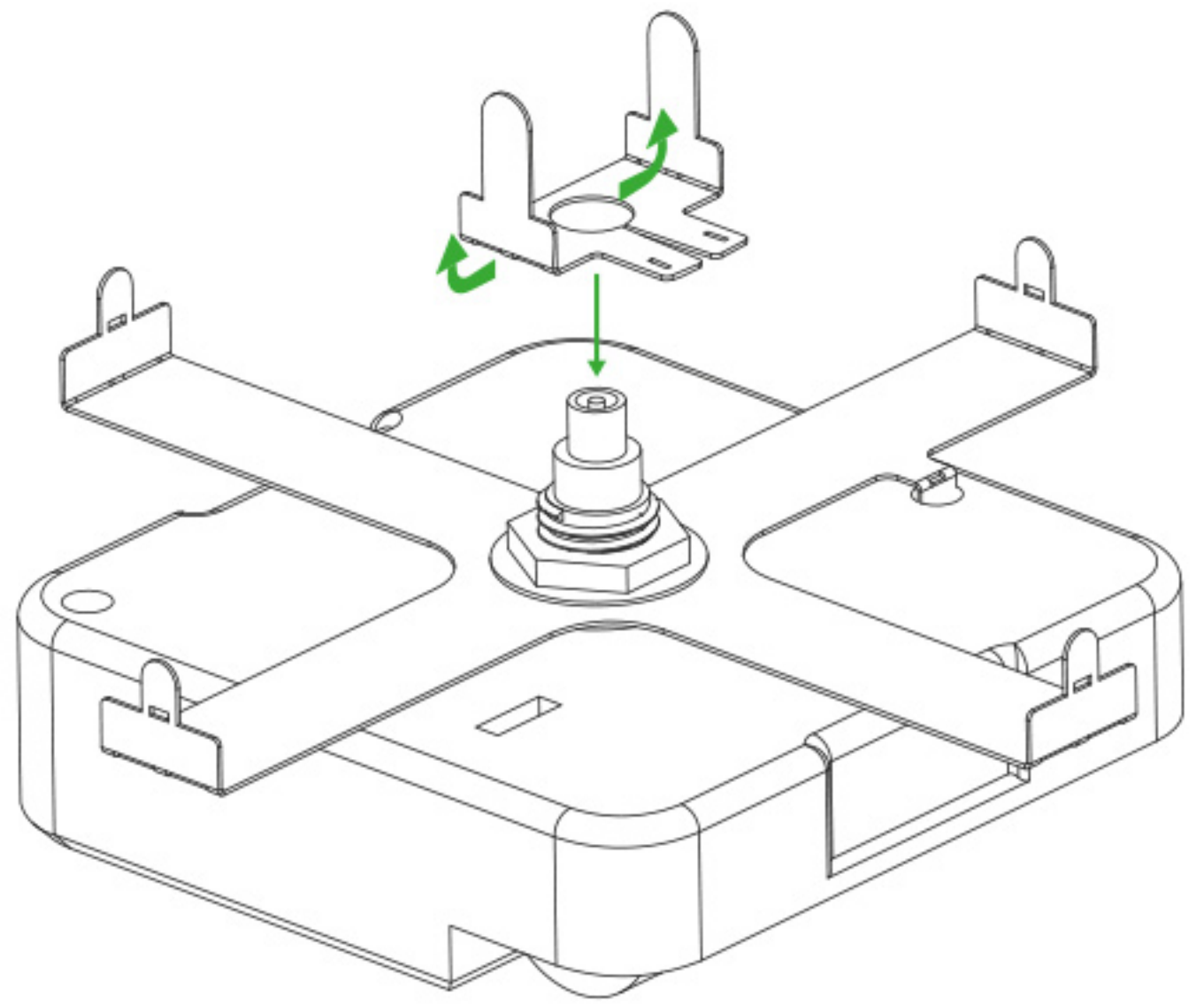
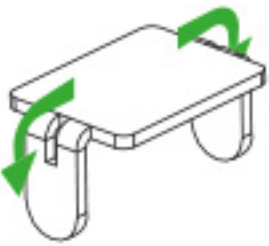
Electric clock

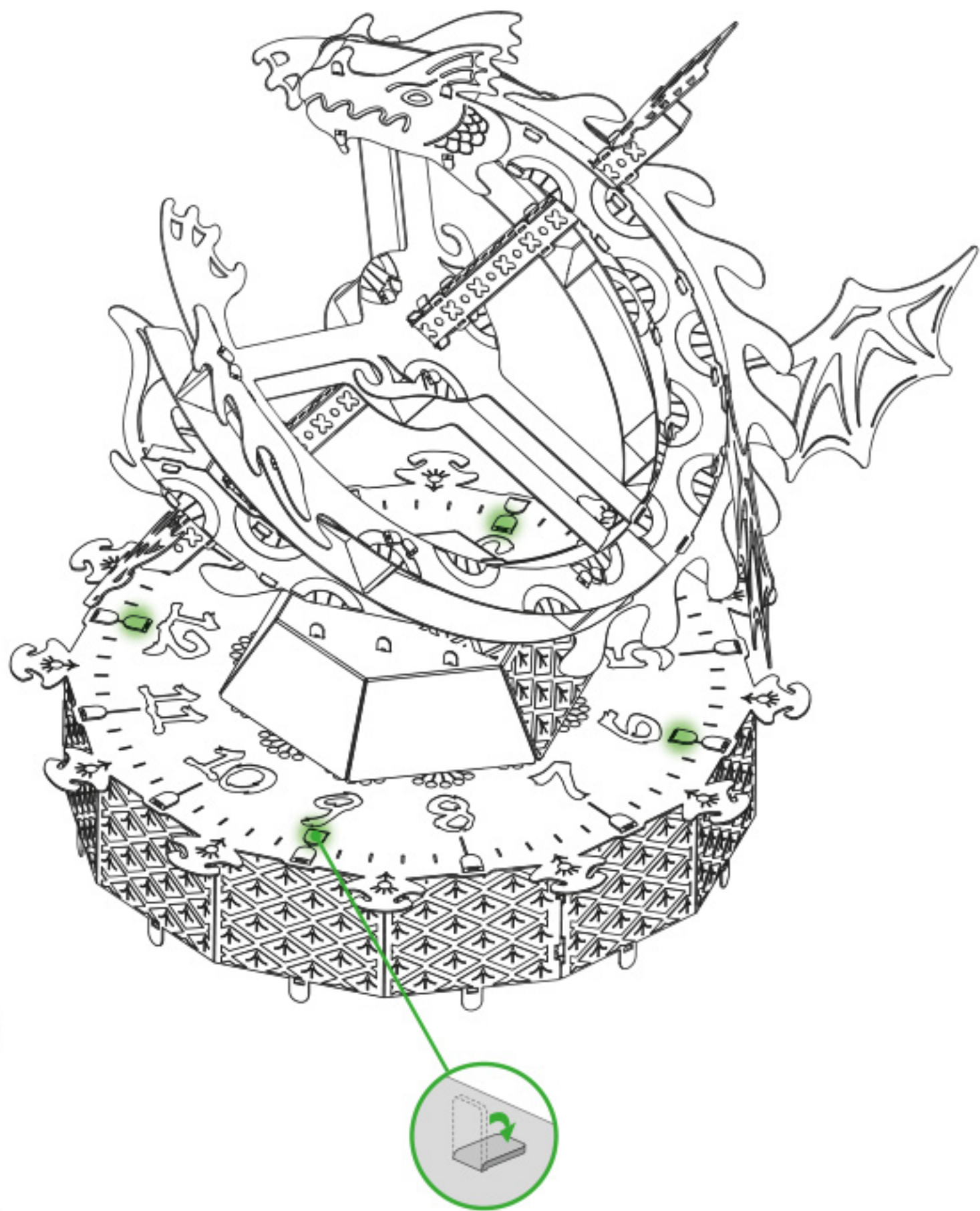
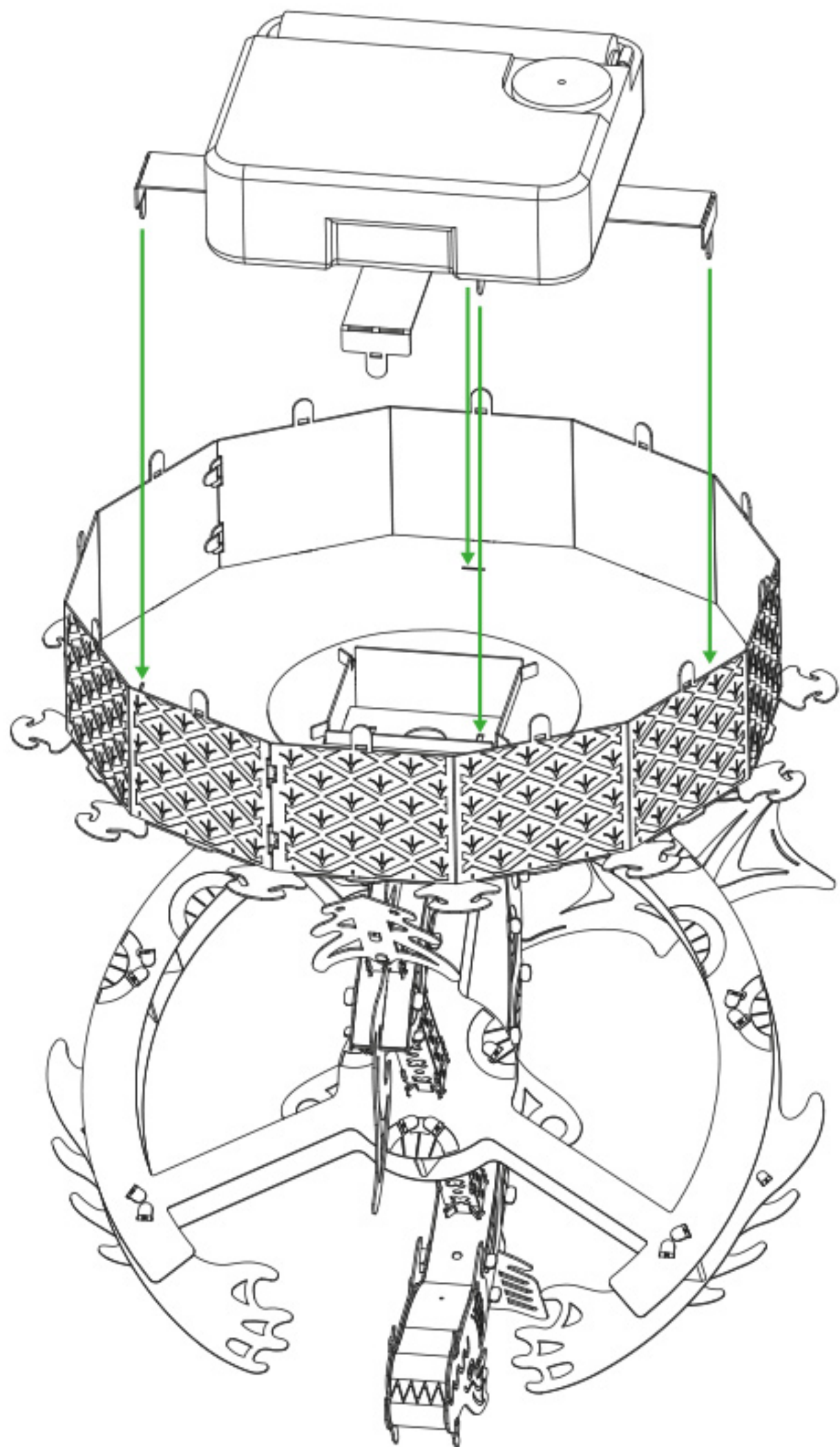


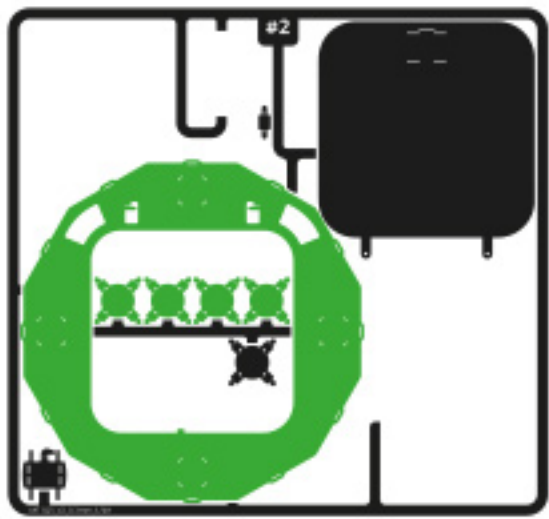
Unscrew the nut and remove the washer before assembly.



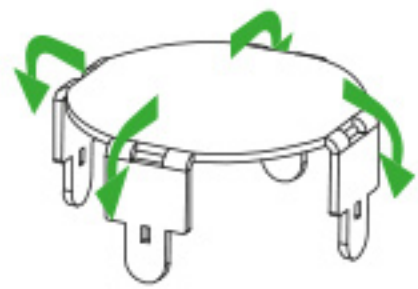
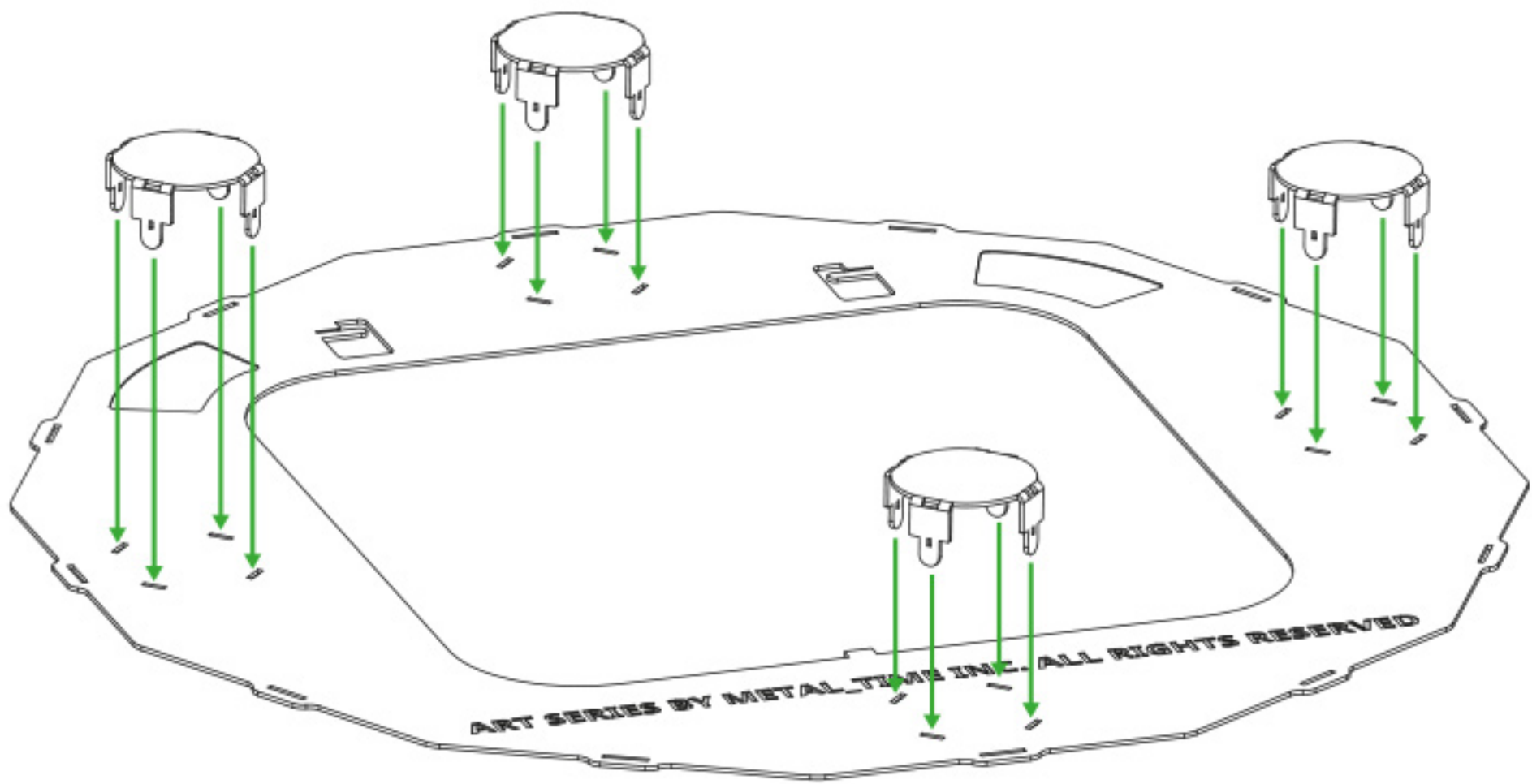
#2



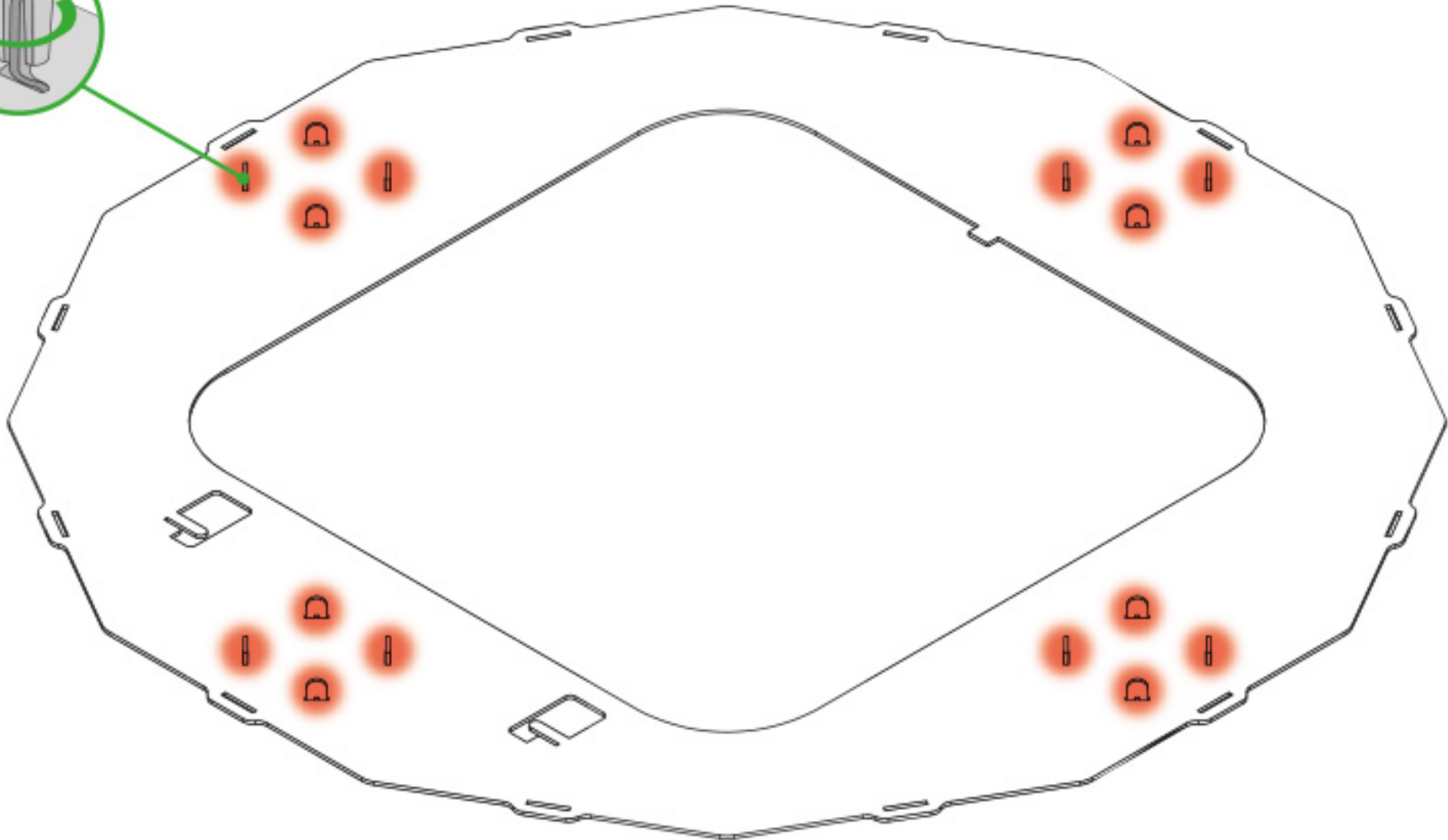


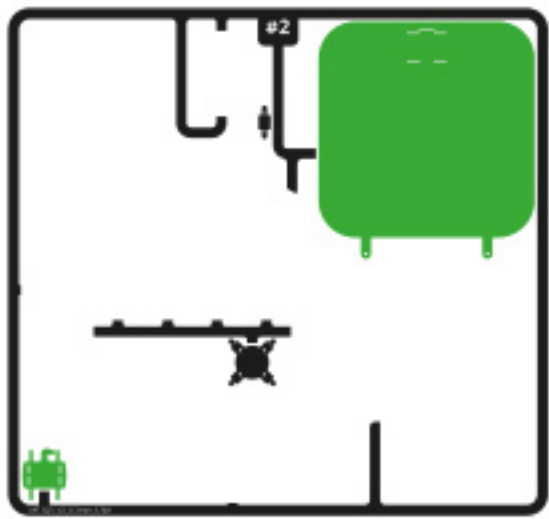


#2

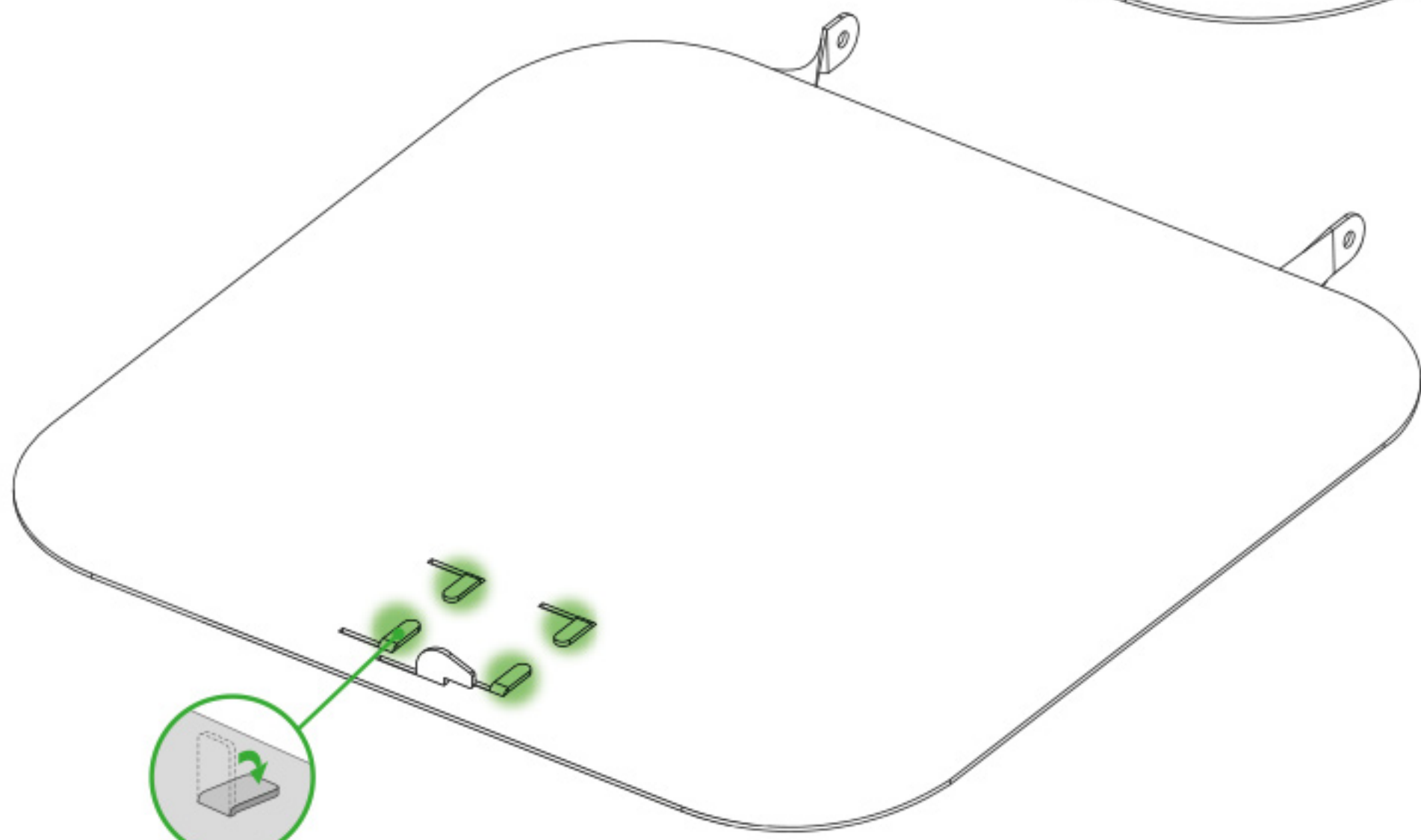
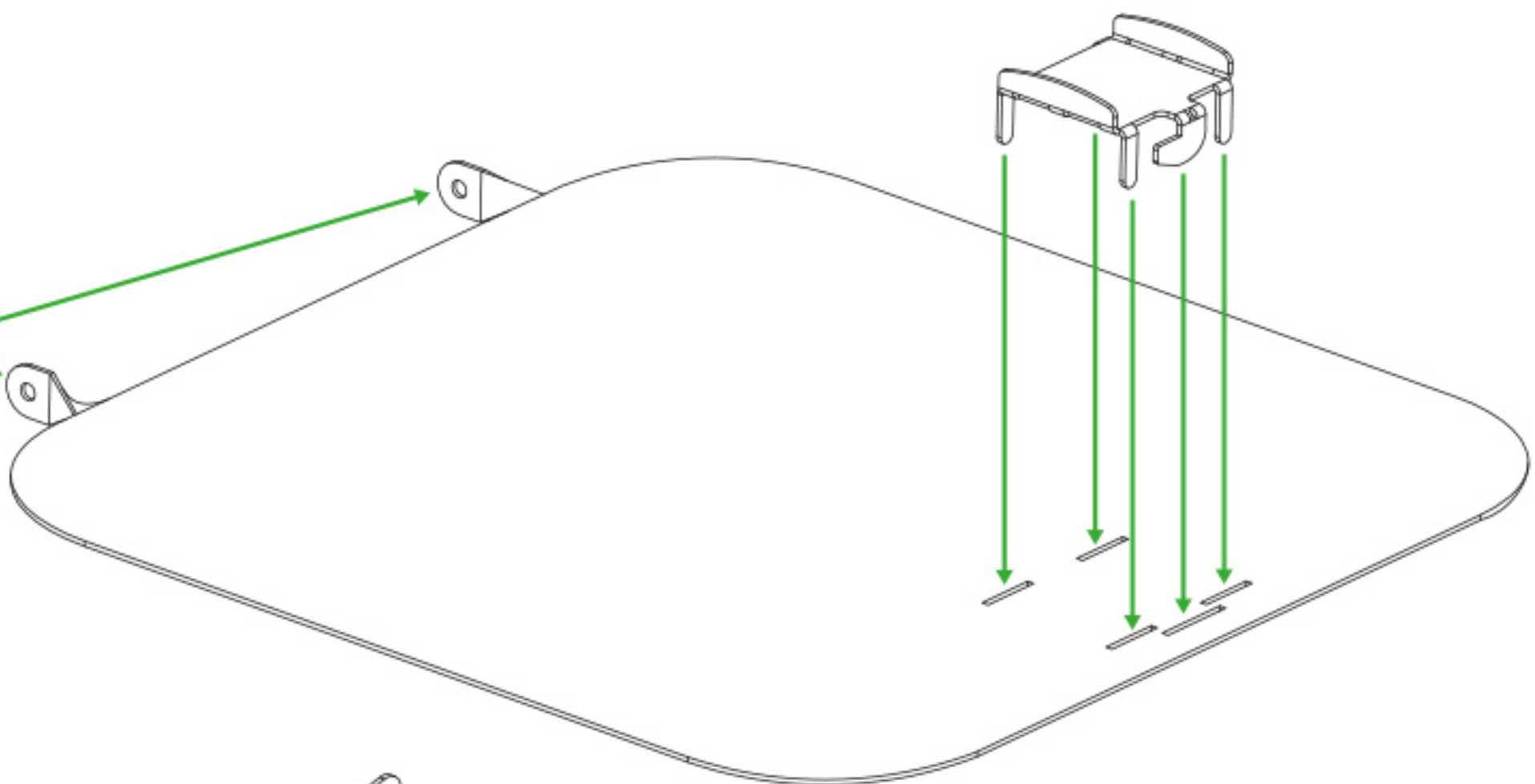
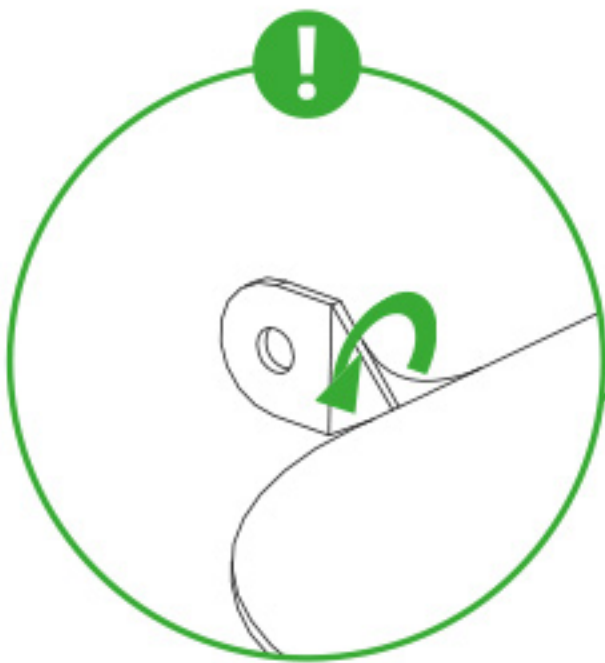
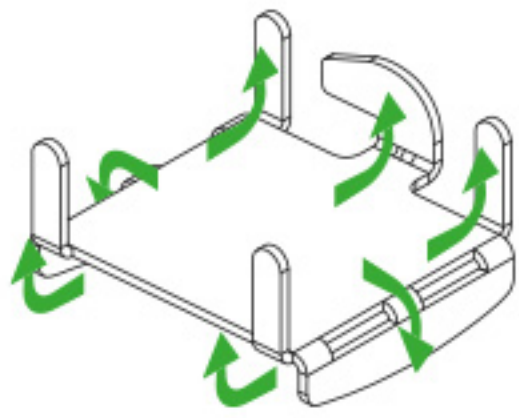


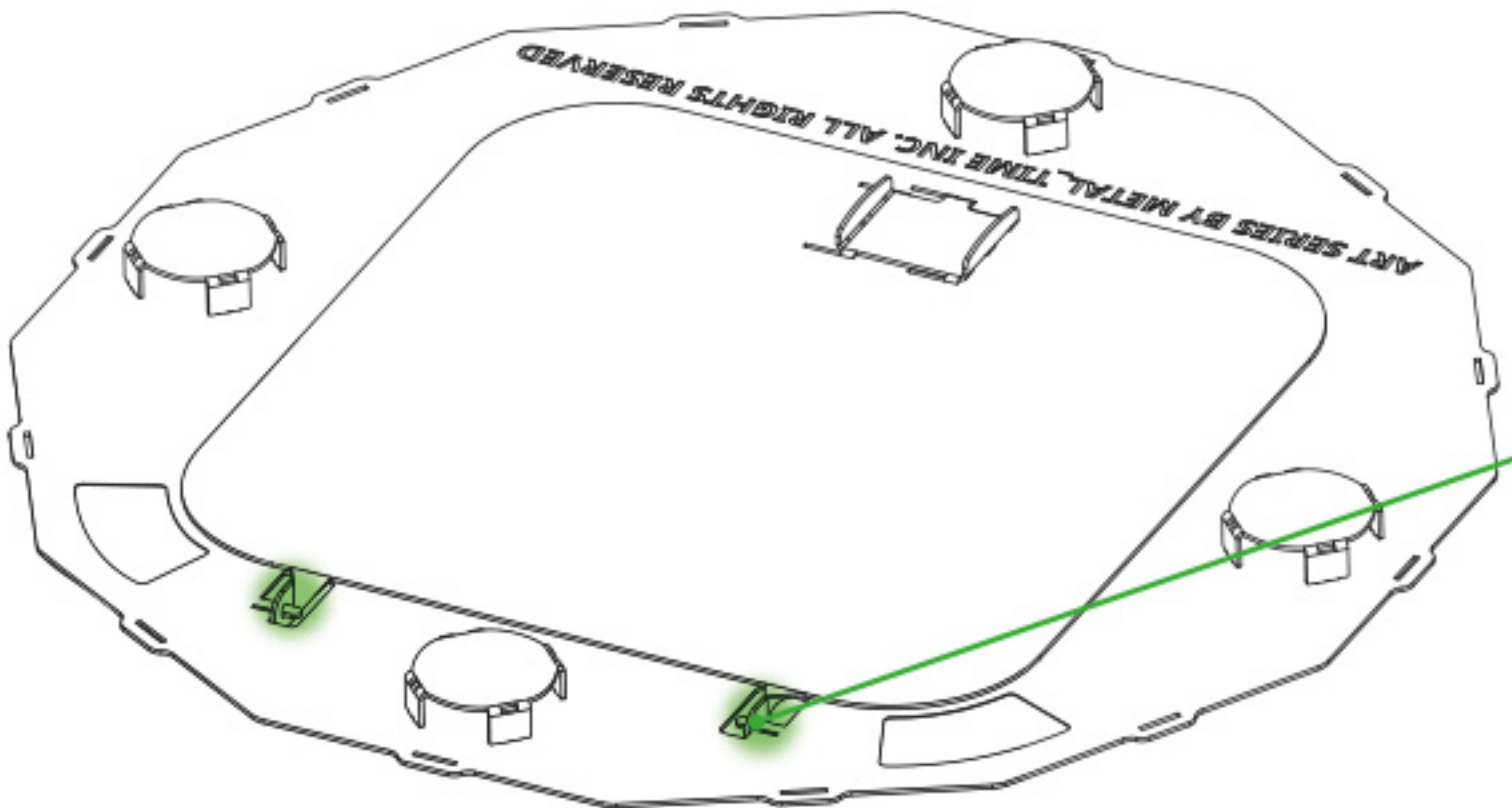
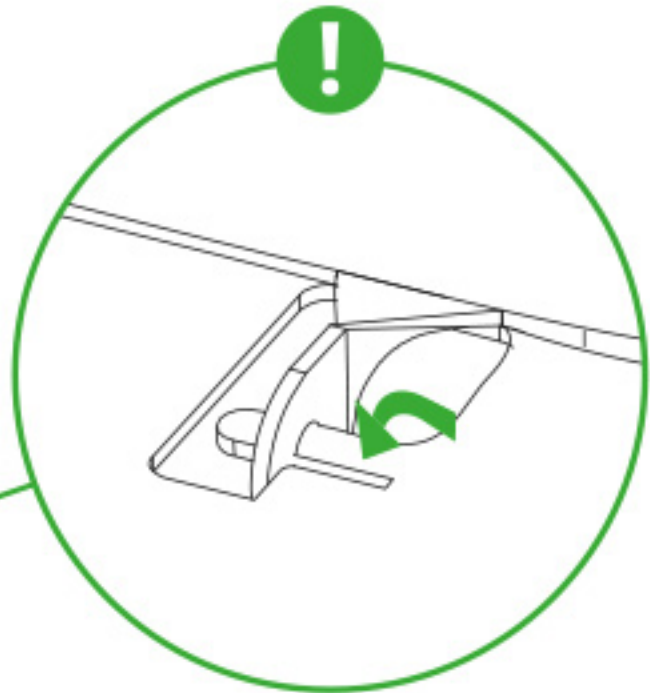
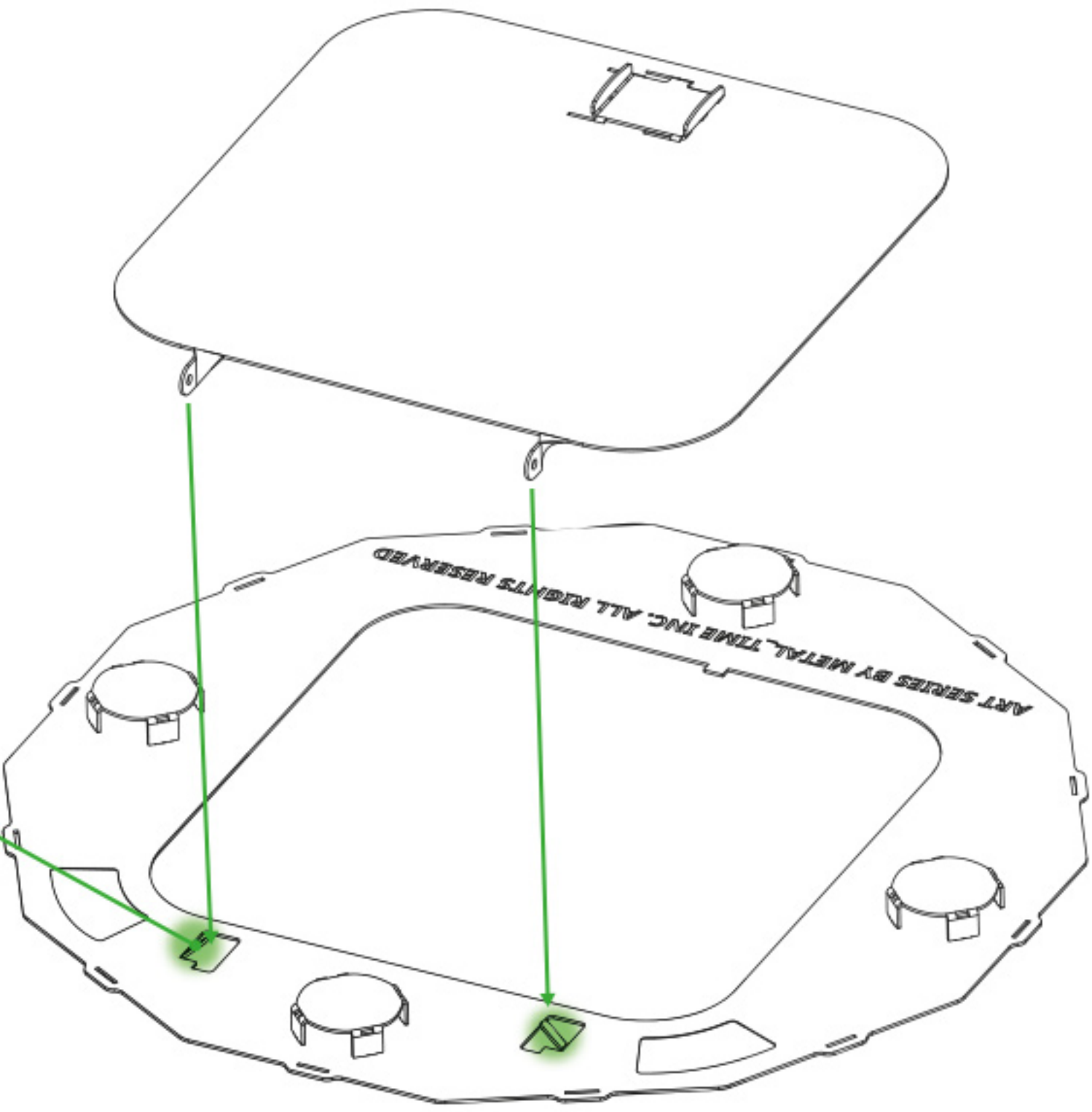
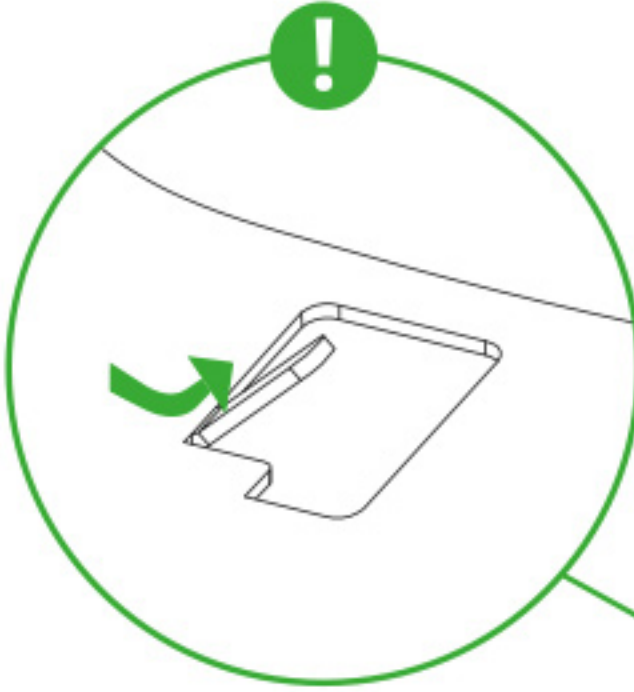
x4

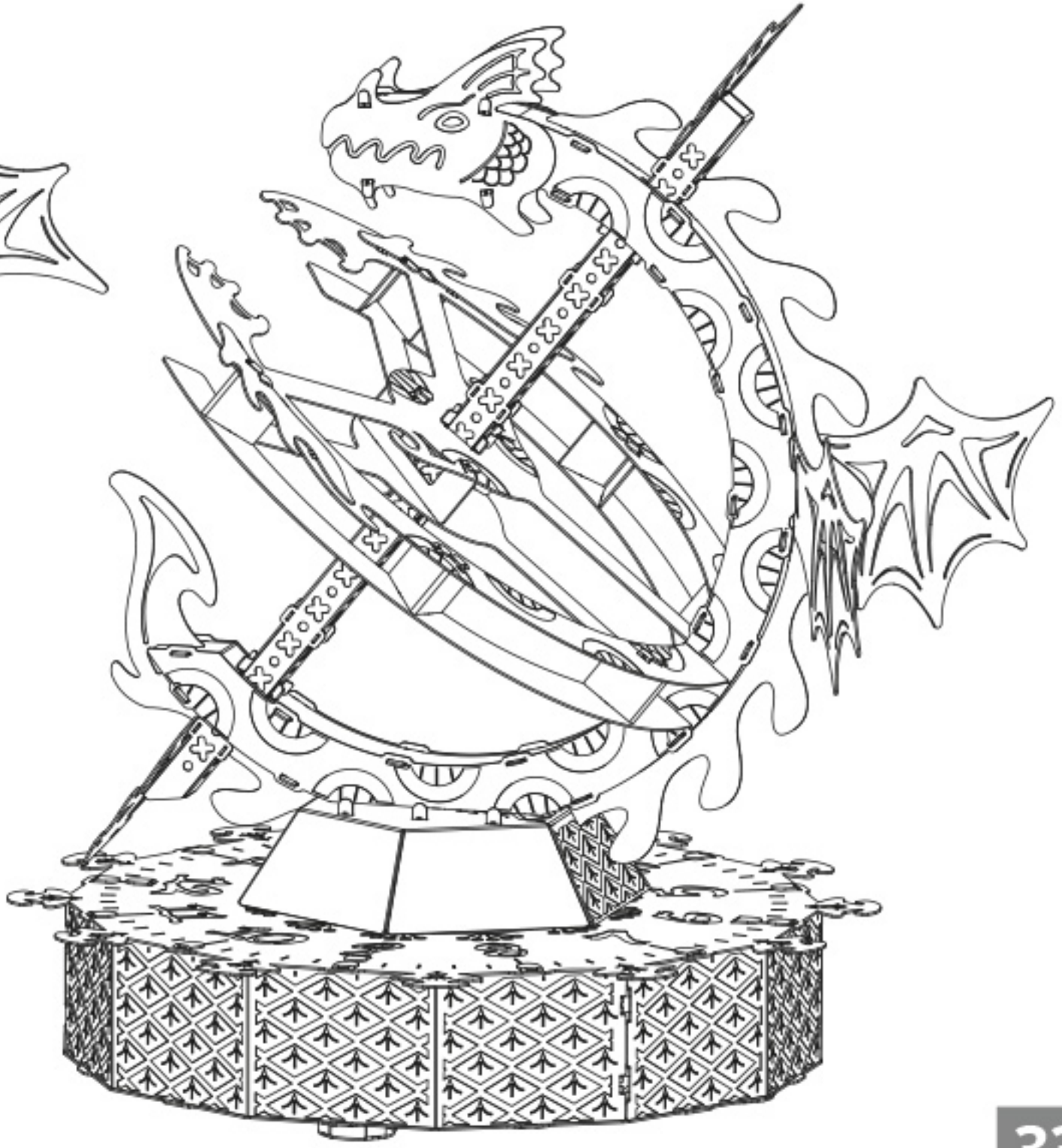
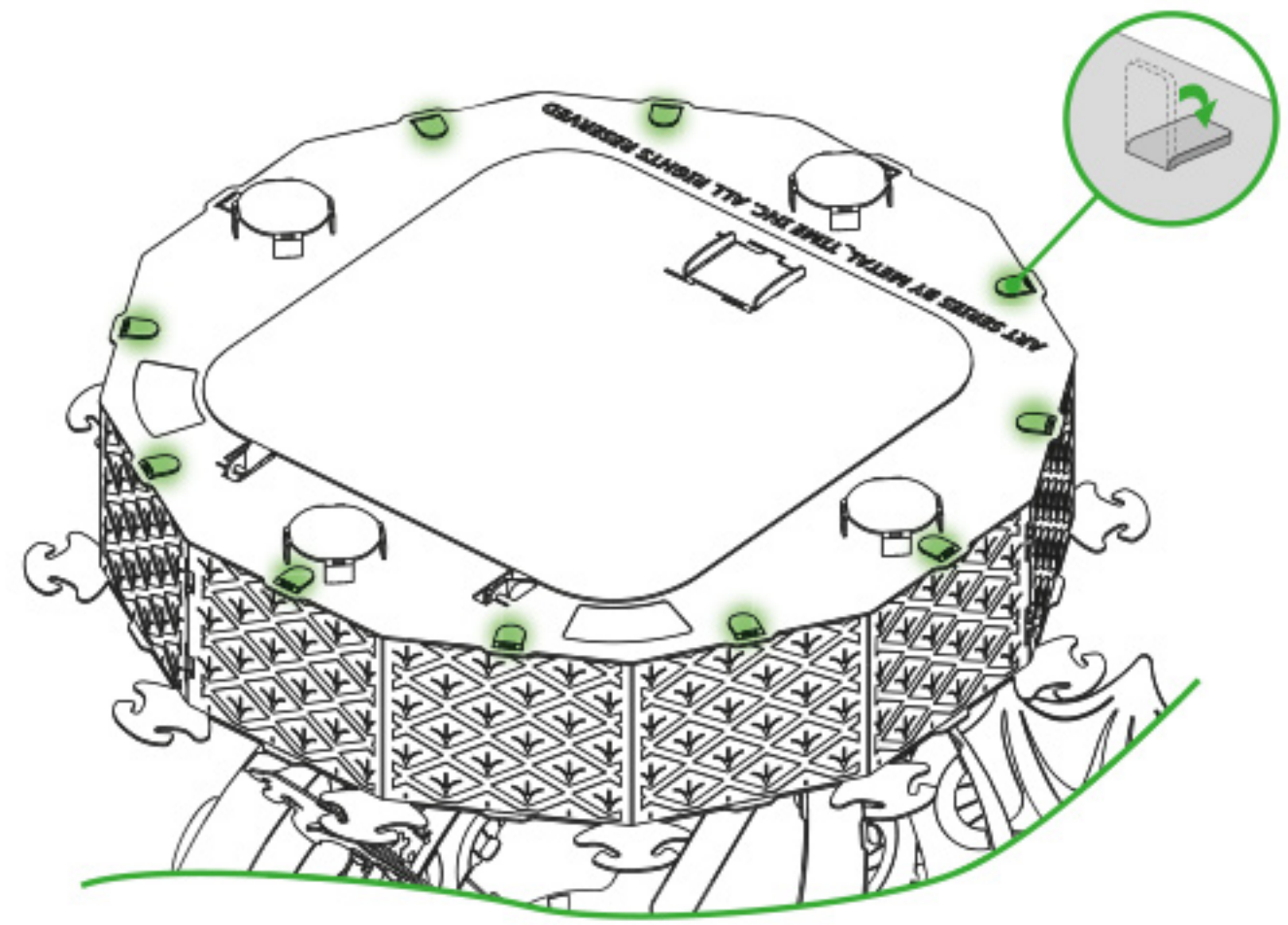
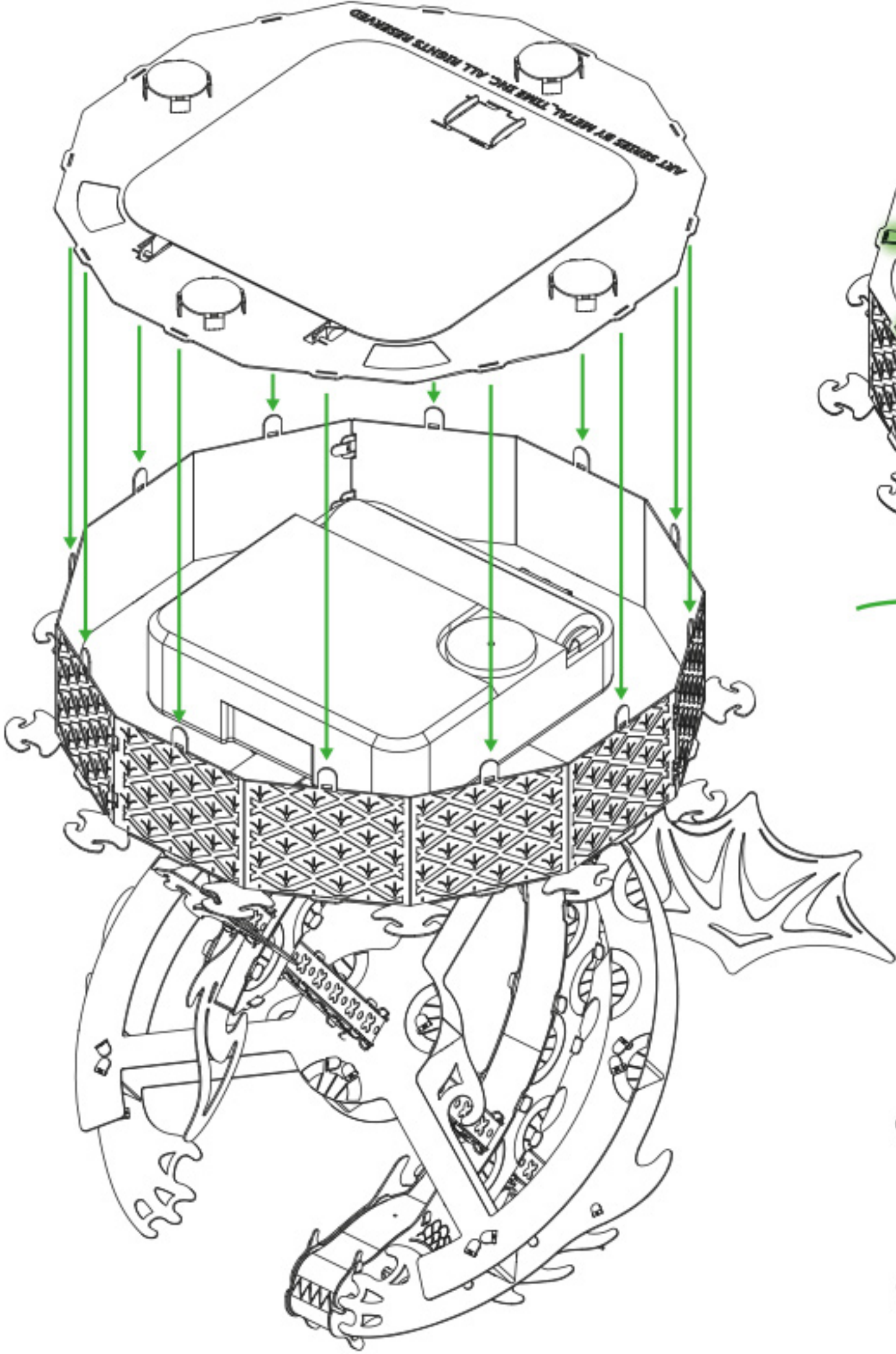




#2









METAL[®]
TIME

www.metal-time.com