



METAL[®] TIME

OFFICIAL EDITION

UKRAINIAN DREAM

Tribute to Mriya AN-225
3D Metal Mechanical Model Building Kit

Assembly instructions

Інструкція зі складання

Instrukcja montażu

Istruzioni di montaggio

Montageanleitung

Instructions de montage

Instrucciones de montaje

Instruções de montagem

Инструкция по сборке

装配说明书

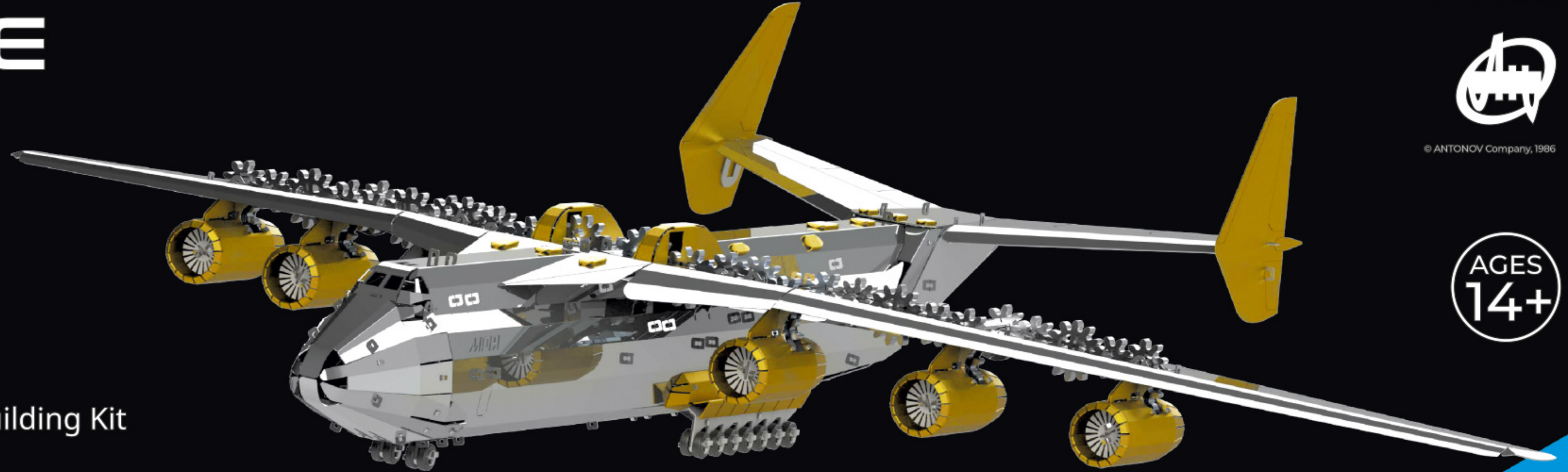
조립 설명서

組立説明書

تعليمات التجميع

הוראות הרבה

Windup mechanism / Turbines blades rotation
Nose cargo door opening /
Removable pedestal / Double color



We believe
the Ukrainian Dream
is eternal!



© ANTONOV Company, 1986

AGES
14+

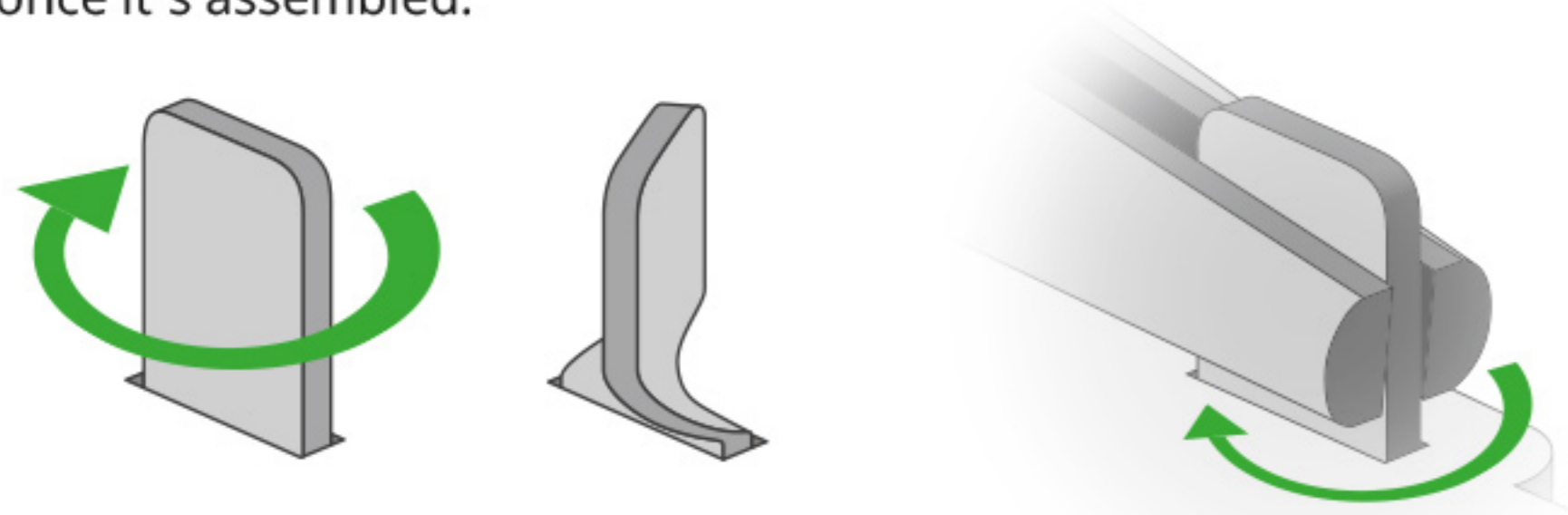
Collect the Best

267 PIECES

20 hours

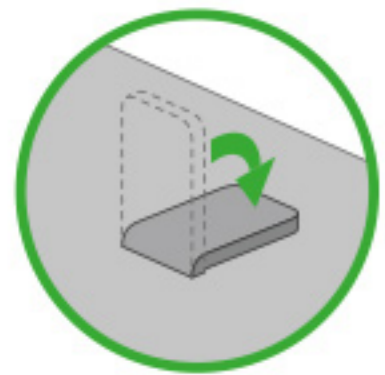
STANDARD FIXING OF FASTENERS AND SYMBOLS

When assembling the model, don't rush, avoid pointing details at yours or anyone else's face. If one of the parts has a sharp edge, please file it down. Use pliers and additional tools to assemble the model. Each kit contains a cloth for wiping and polishing the model once it's assembled.

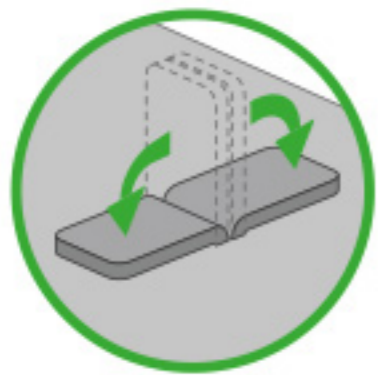


If there are no additional designations, use the standard fixing method

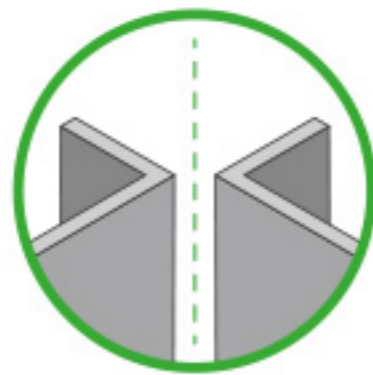
Use pliers to bend the fasteners



Bend the eyelet 90°



Bend the ears 90°

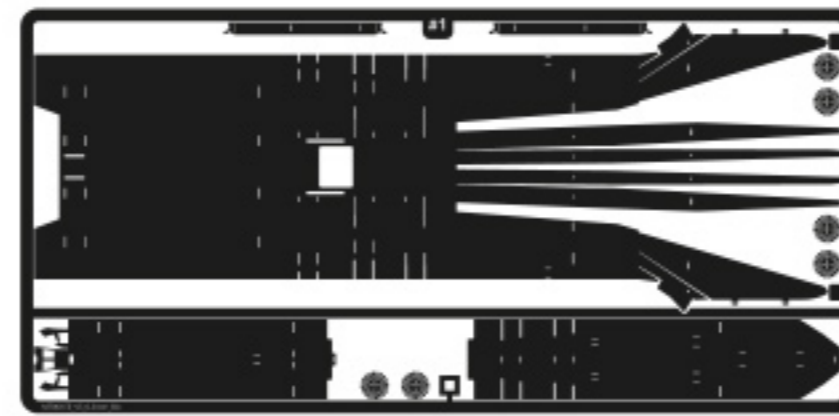


Assemble/bend parts symmetrically

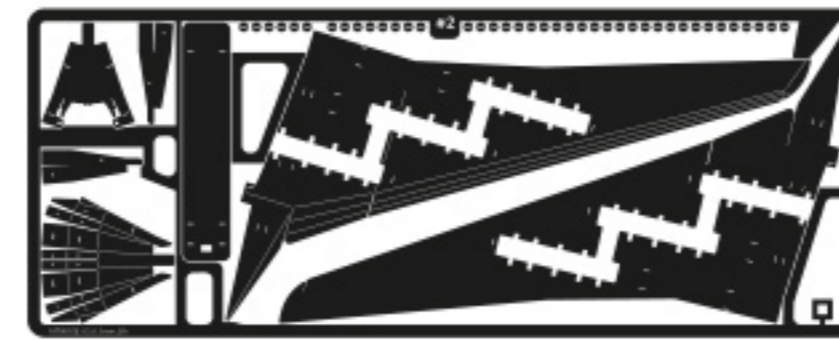
WARNING! Product contains small parts and sharp parts. Not suitable for children under 3 years of age. Please read these instructions carefully before assembly and use.

WARNING! Cut/remove the band that keeps the spring in place ONLY WITHIN the spring chamber/container. DO NOT cut the restraining band outside the assembled spring chamber, as the spring will unwind with force

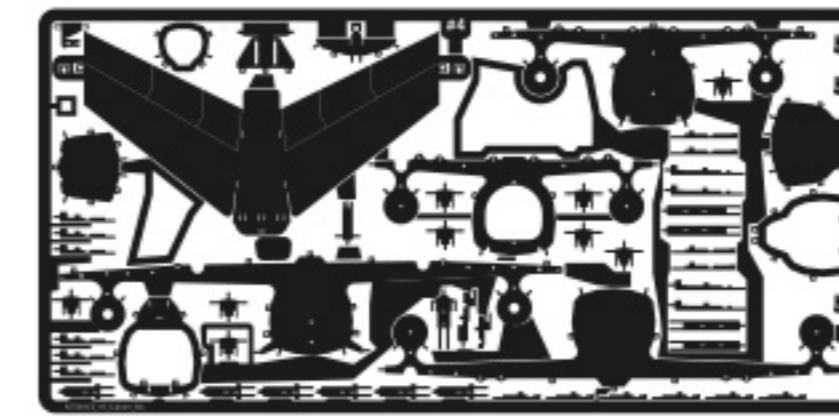
MODEL PARTS AND ASSEMBLY TOOLS



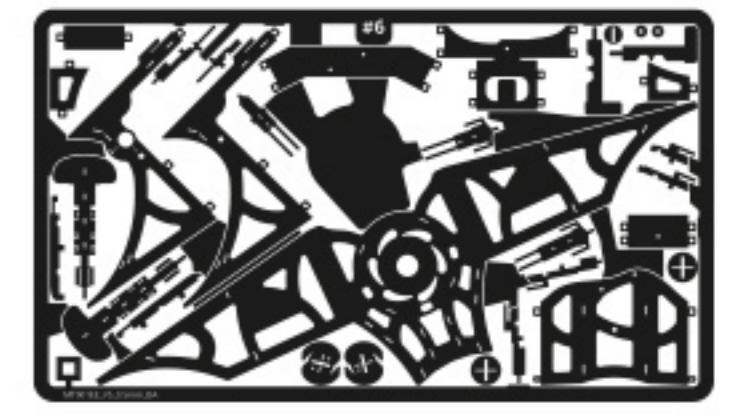
#1



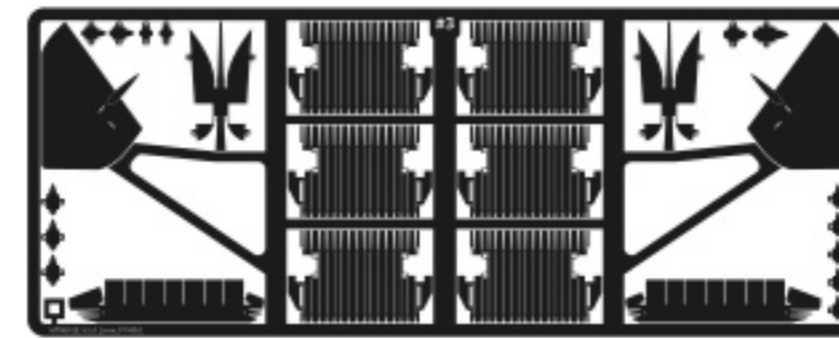
#2



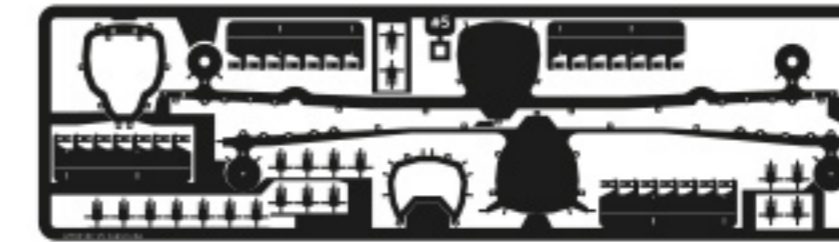
#4



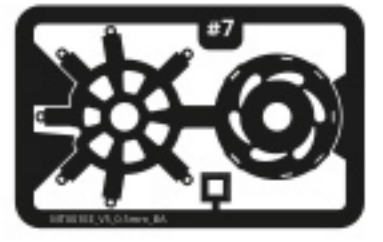
#6



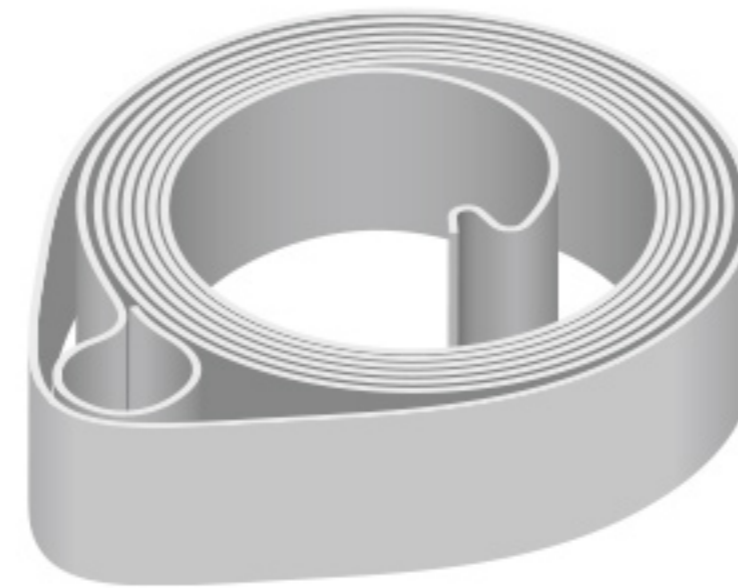
#3



#5



#7



Spring



G1



G2



G3

x2



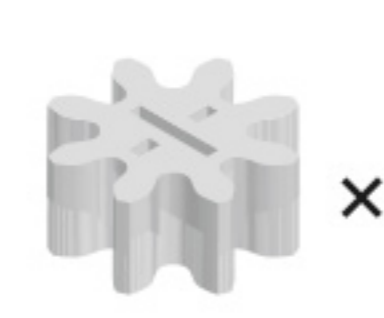
x9

G4



x2

G5



x40

G6



G7



D5



D1



D2

x8

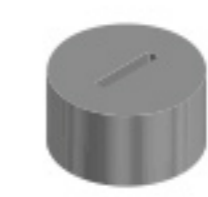


D3



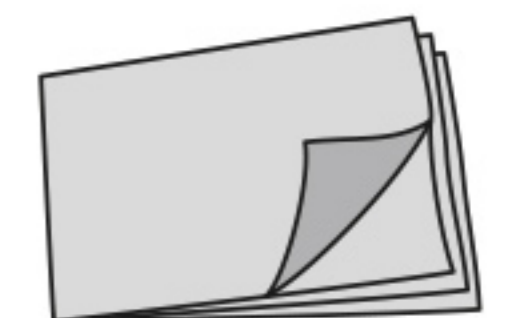
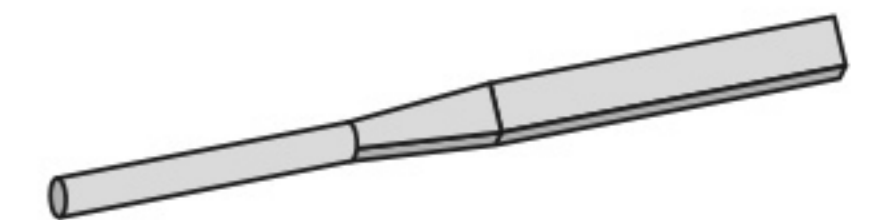
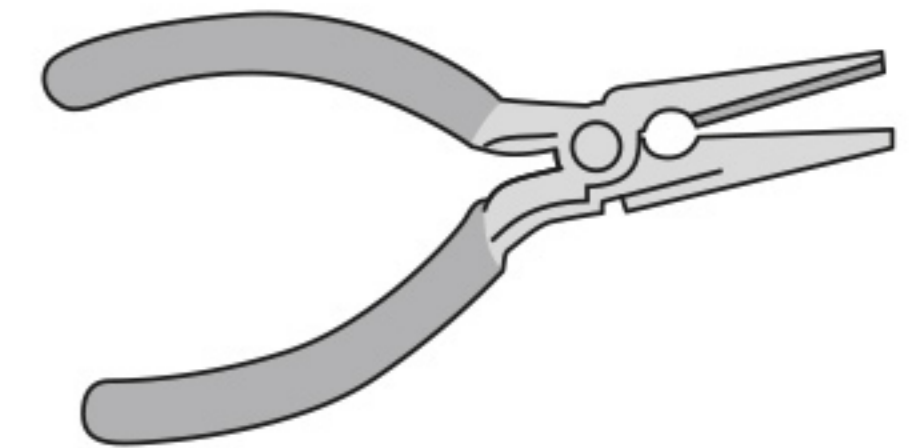
D4

x5

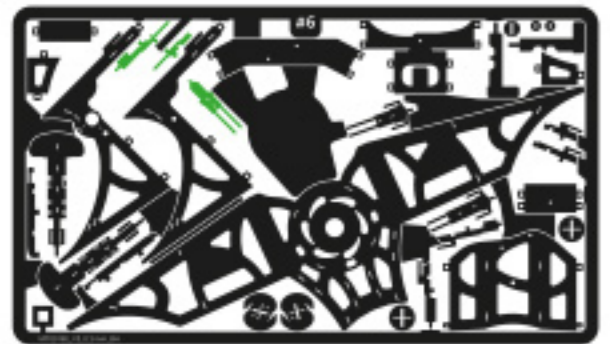


W1

x32



Tools



#6



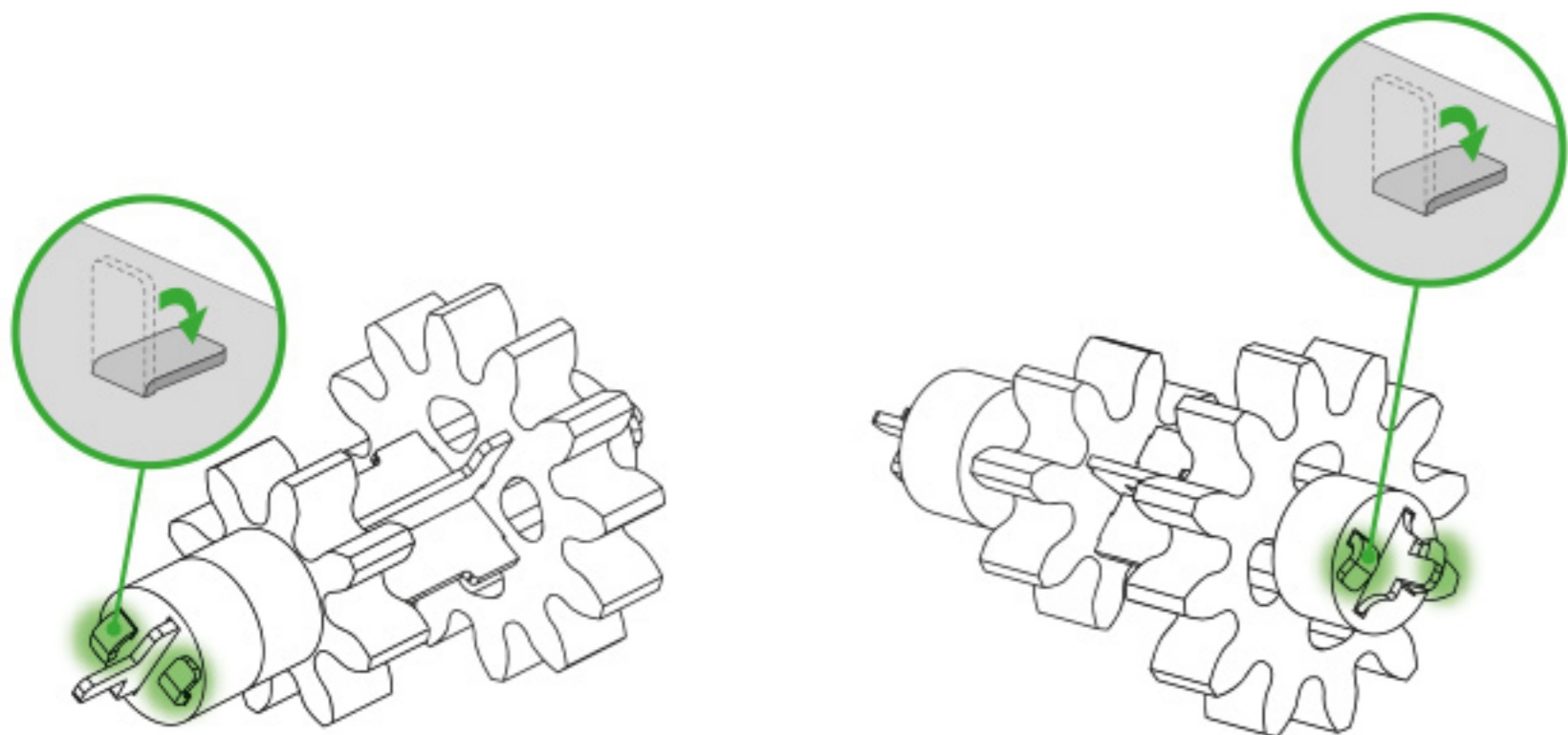
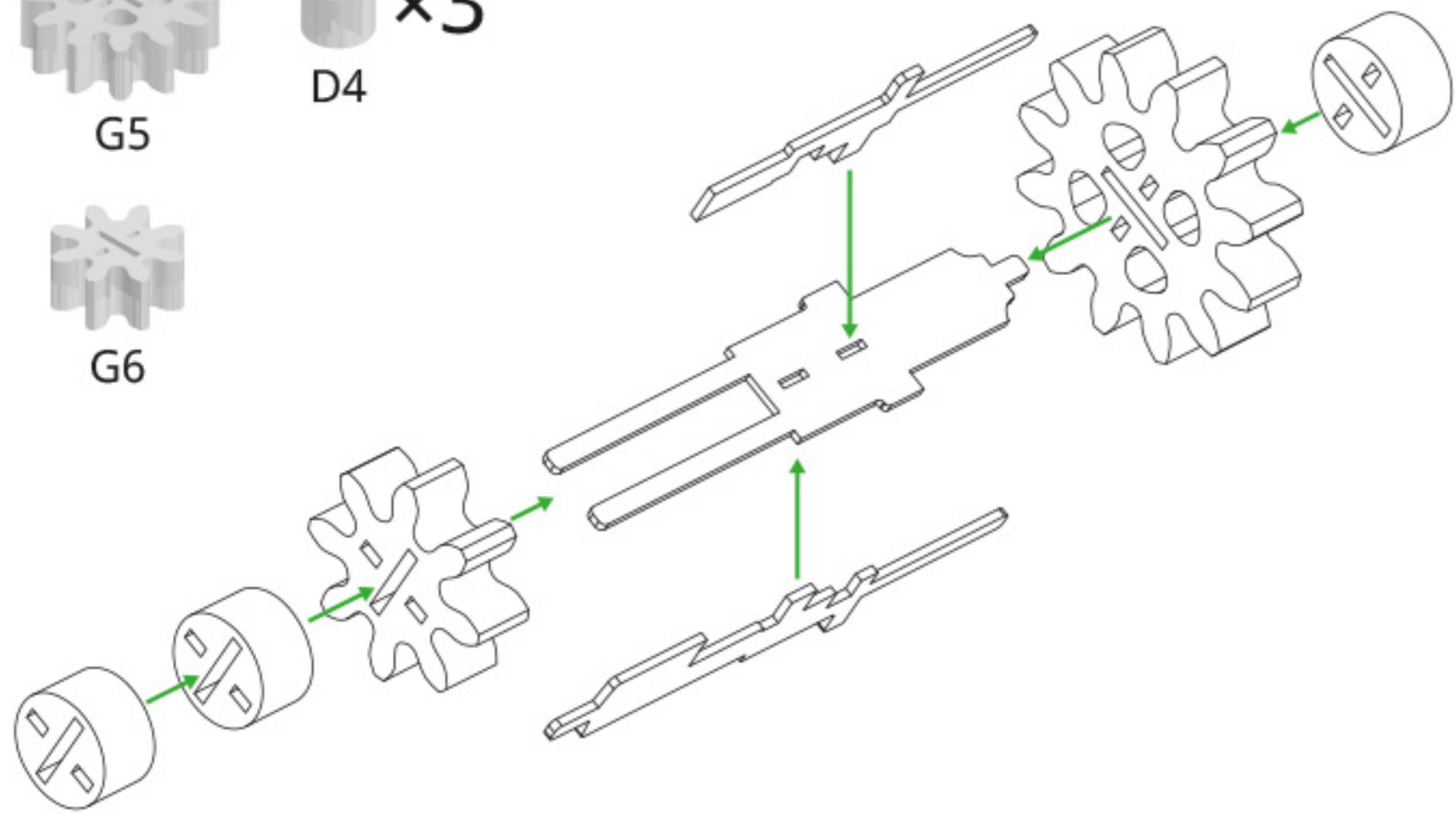
G5

D4

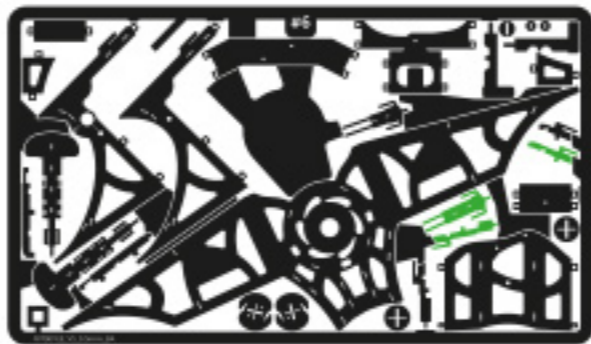
x3



G6



1



#6

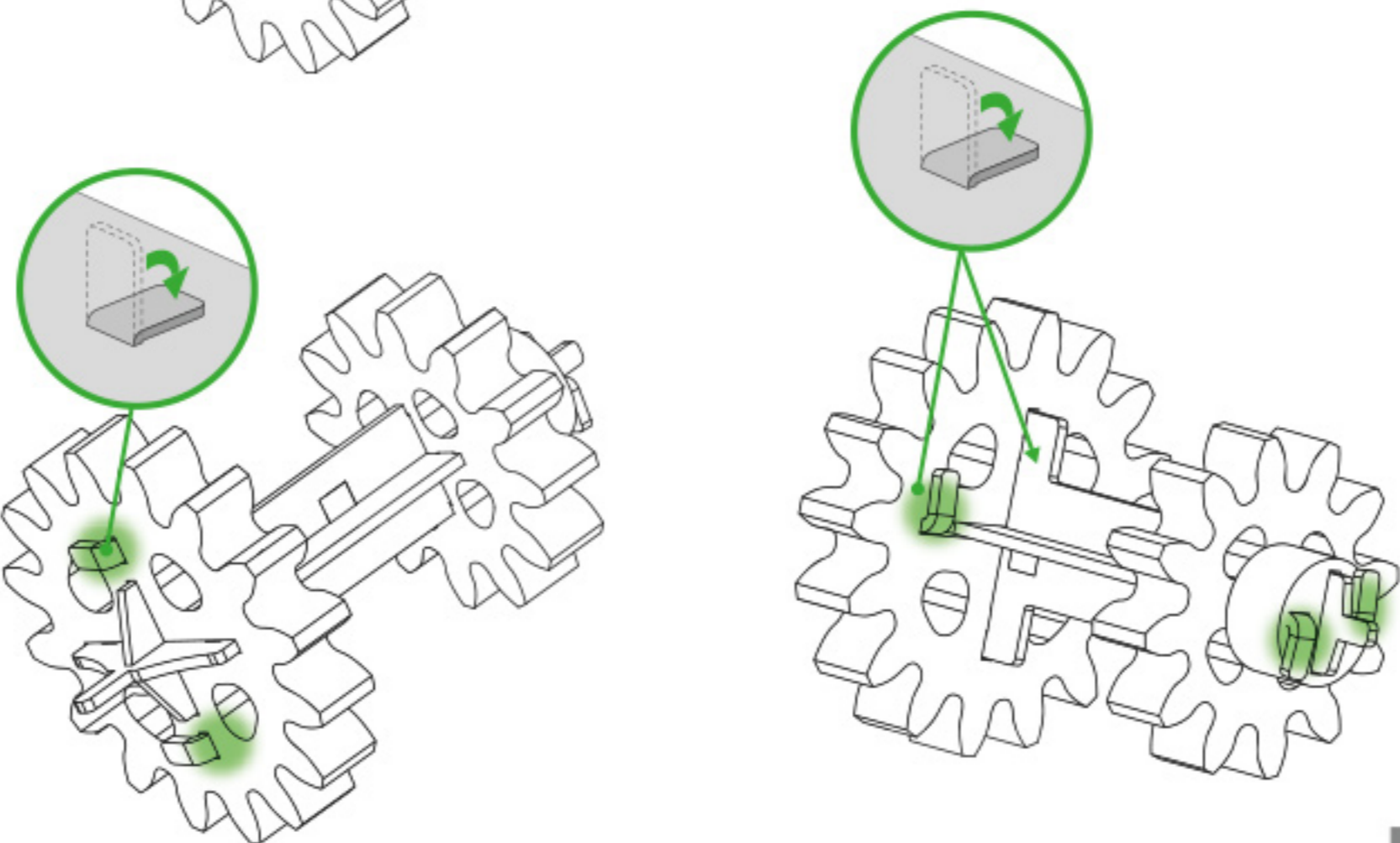
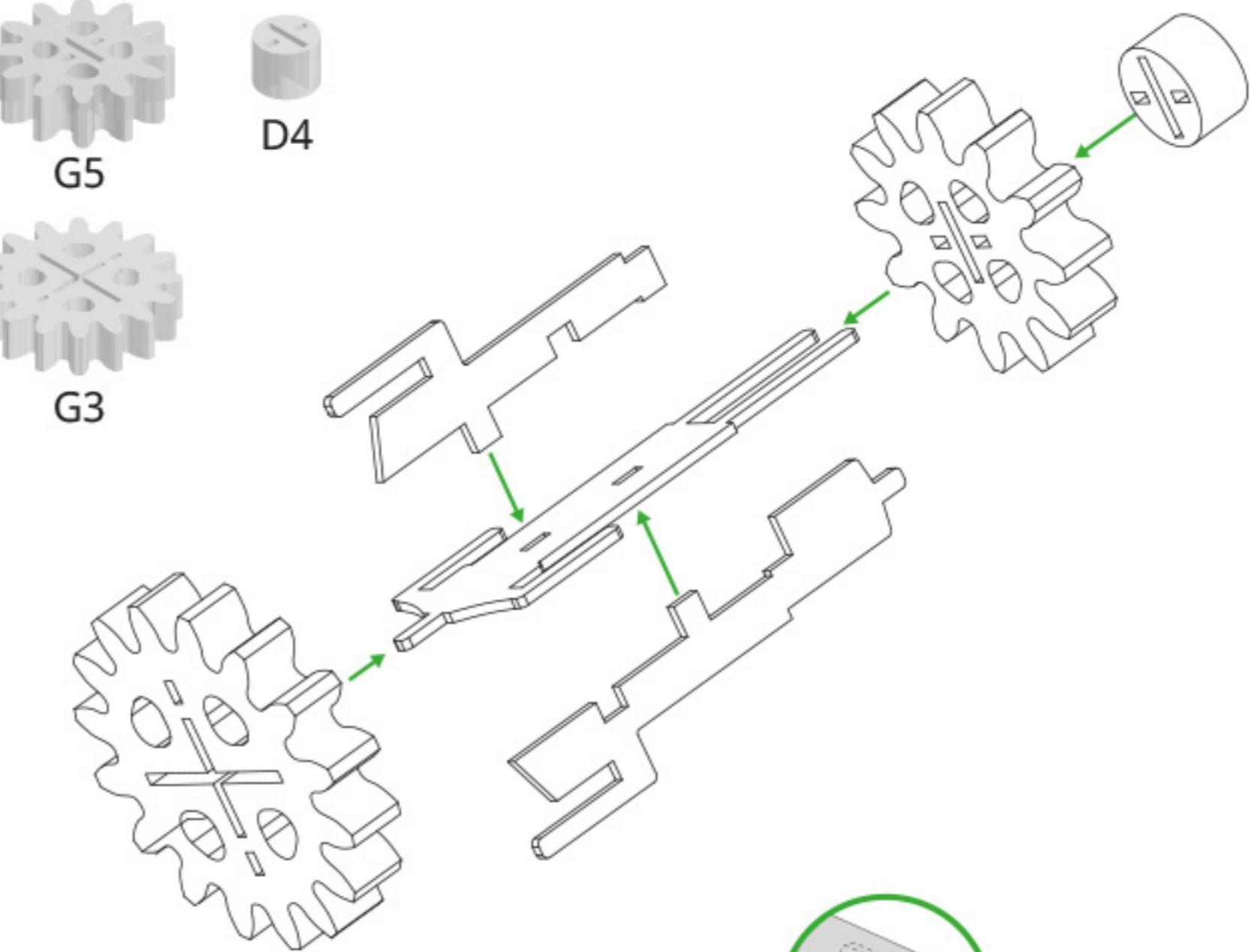


G5

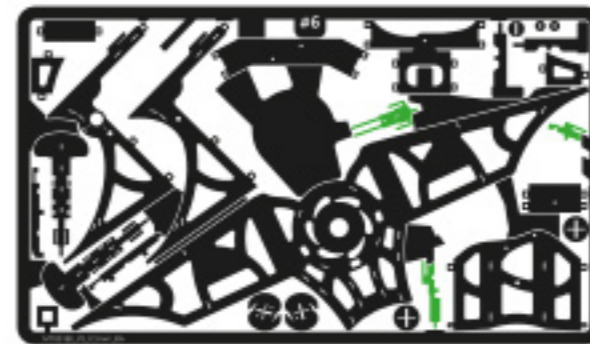
D4



G3



3



#6

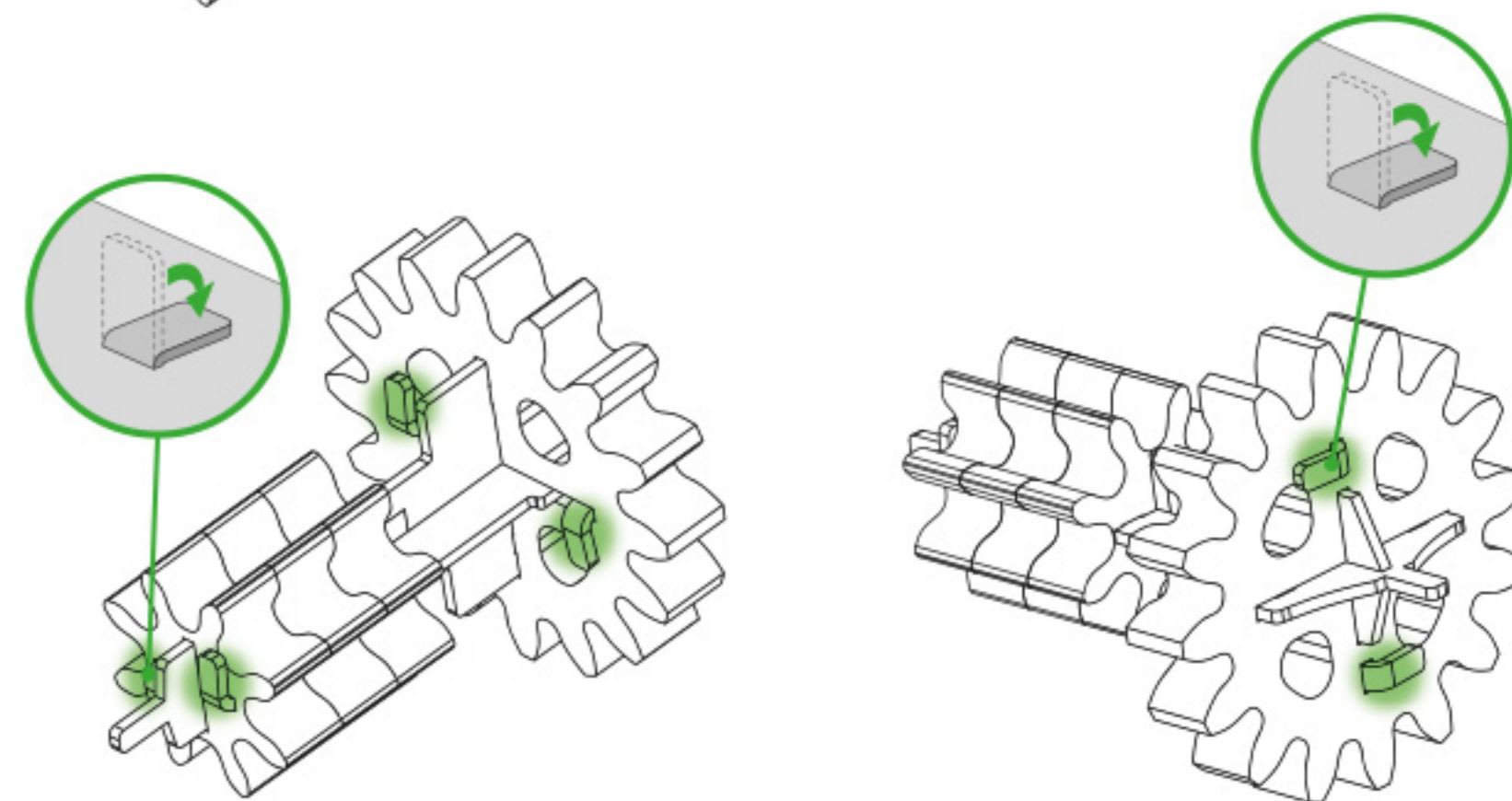
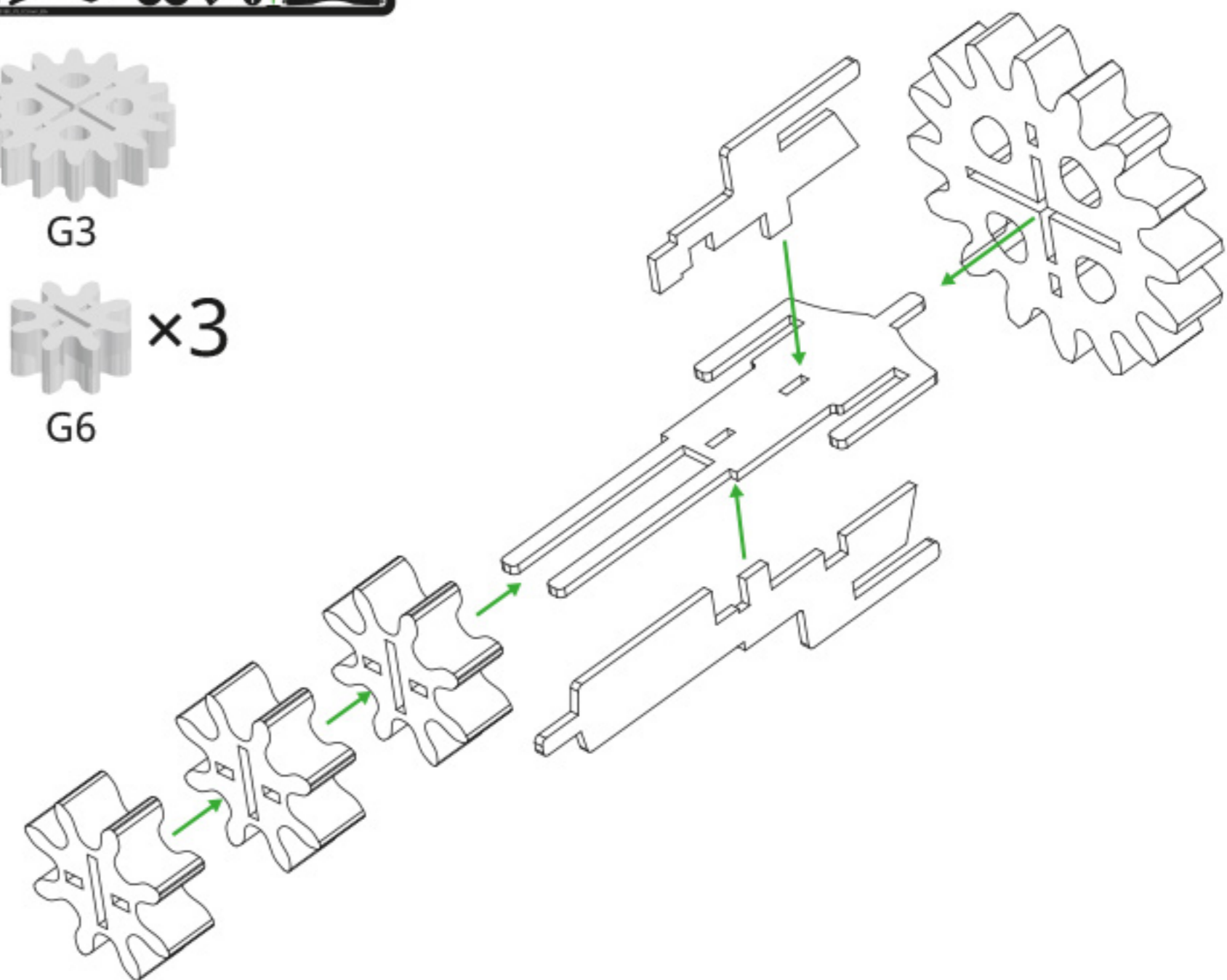


G3

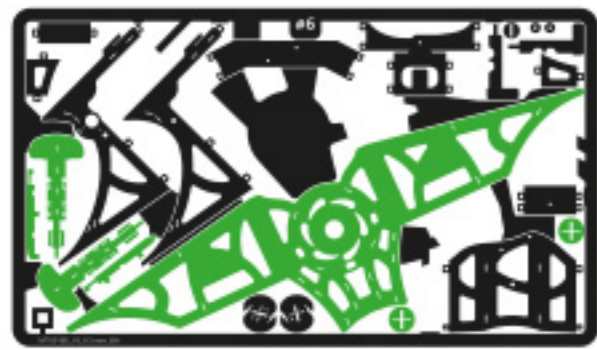


x3

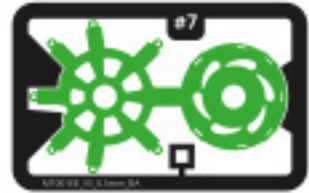
G6



3



#6



#7



Spring

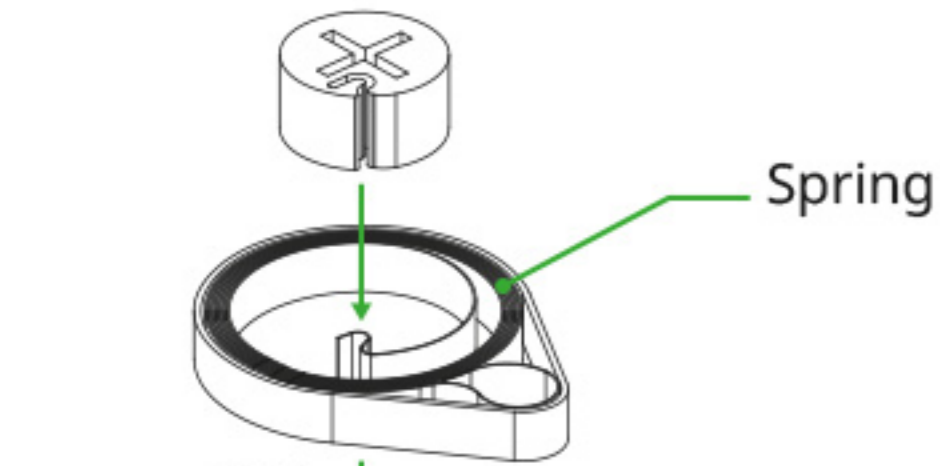


D5

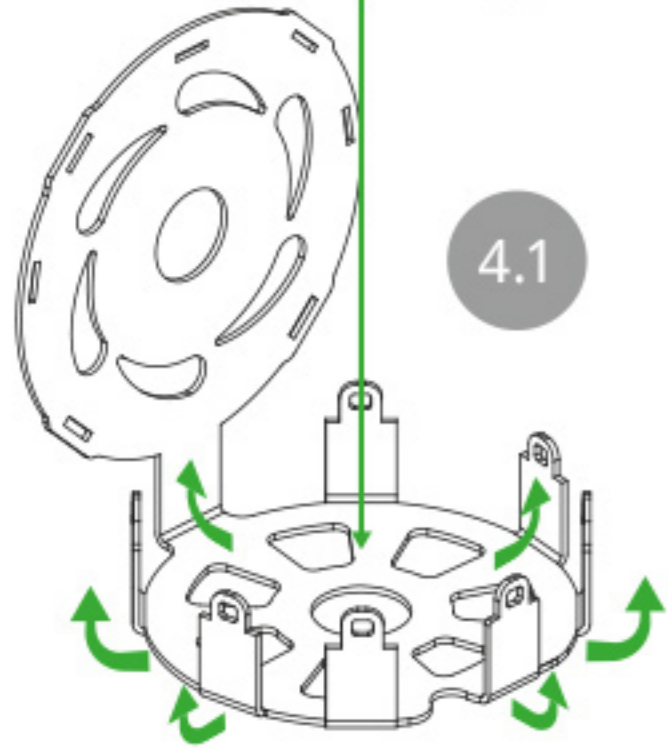


D3

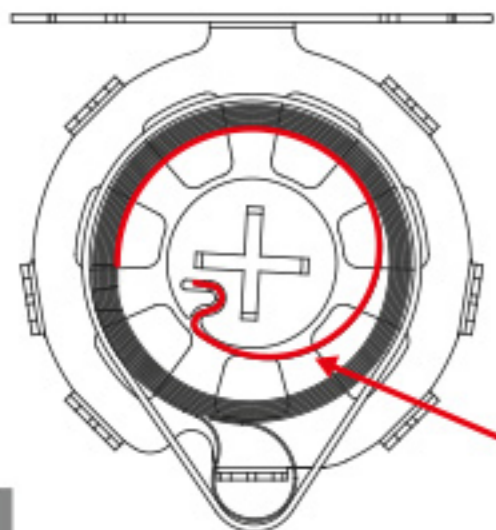
Cut the band after assembly



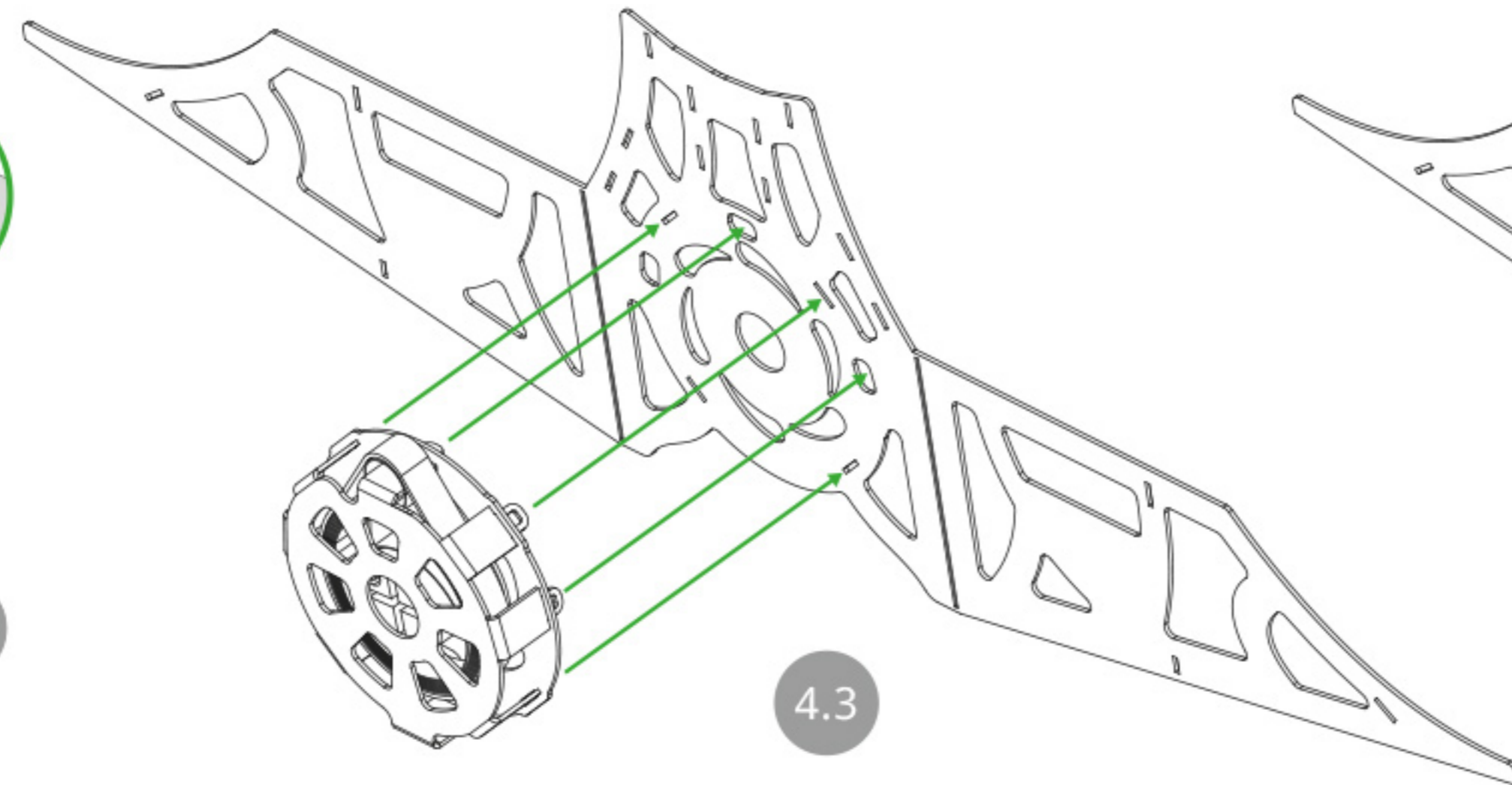
4.1



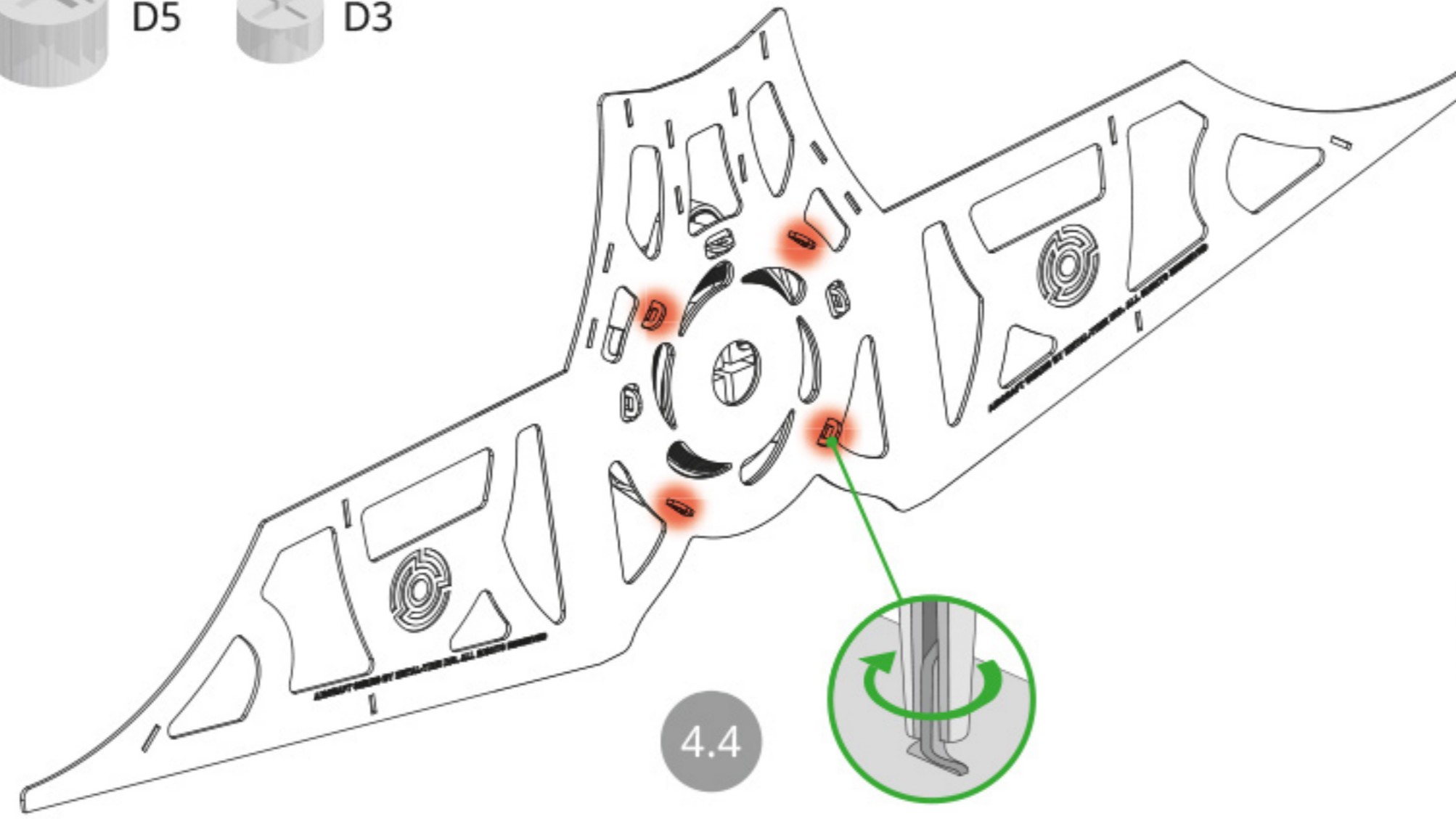
4.2



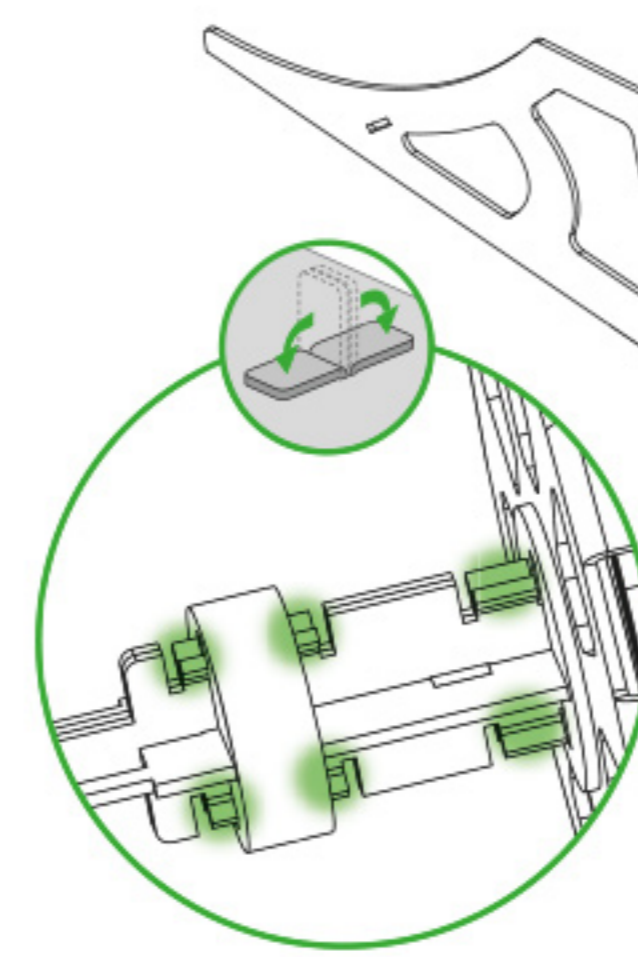
⚠ Position the part properly as seen in the image



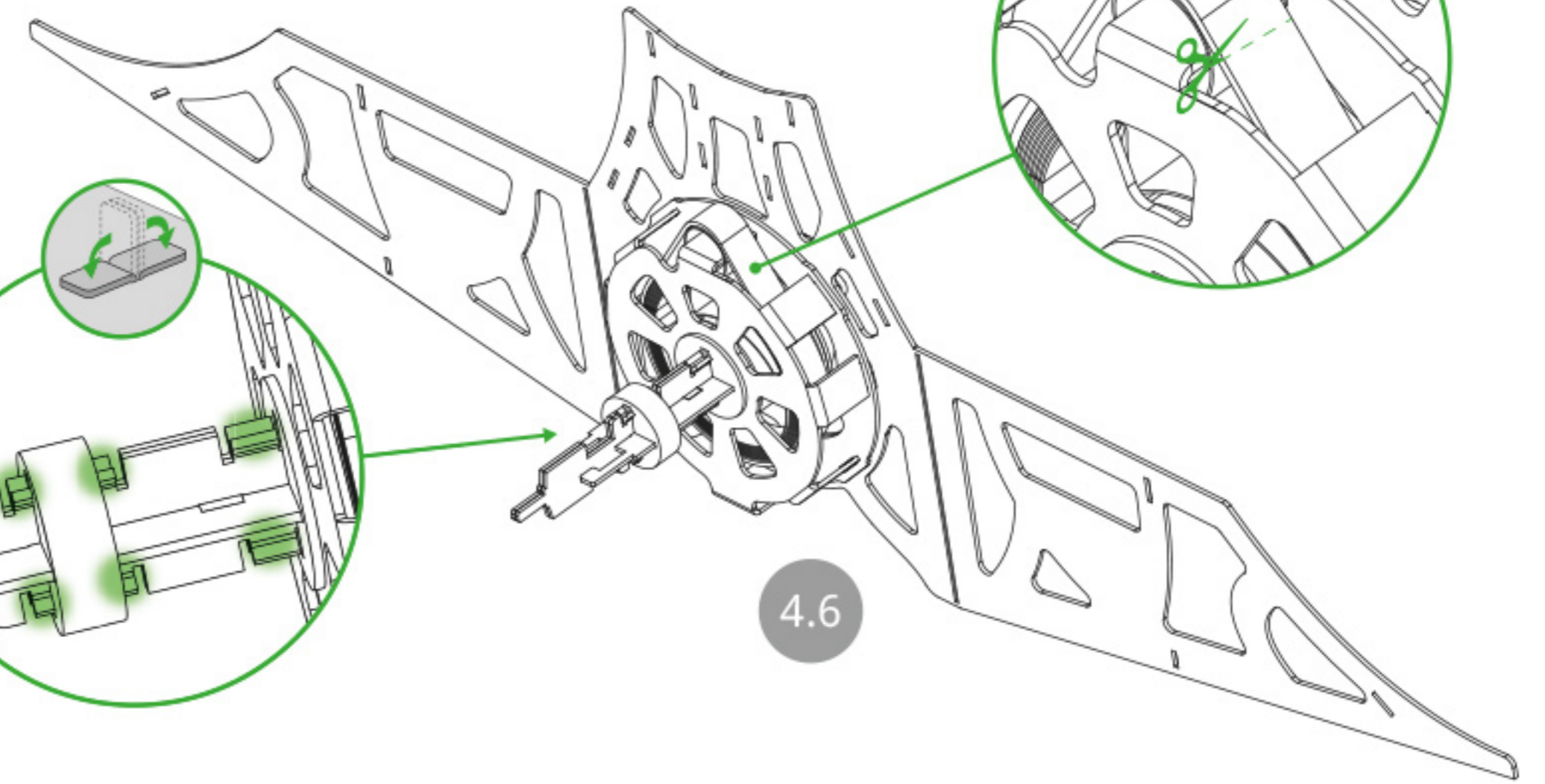
4.3



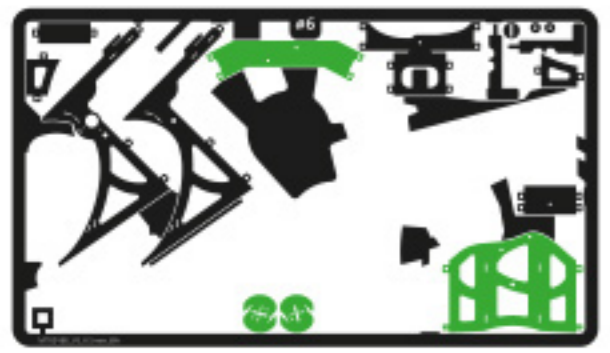
4.4



4.5



4.6



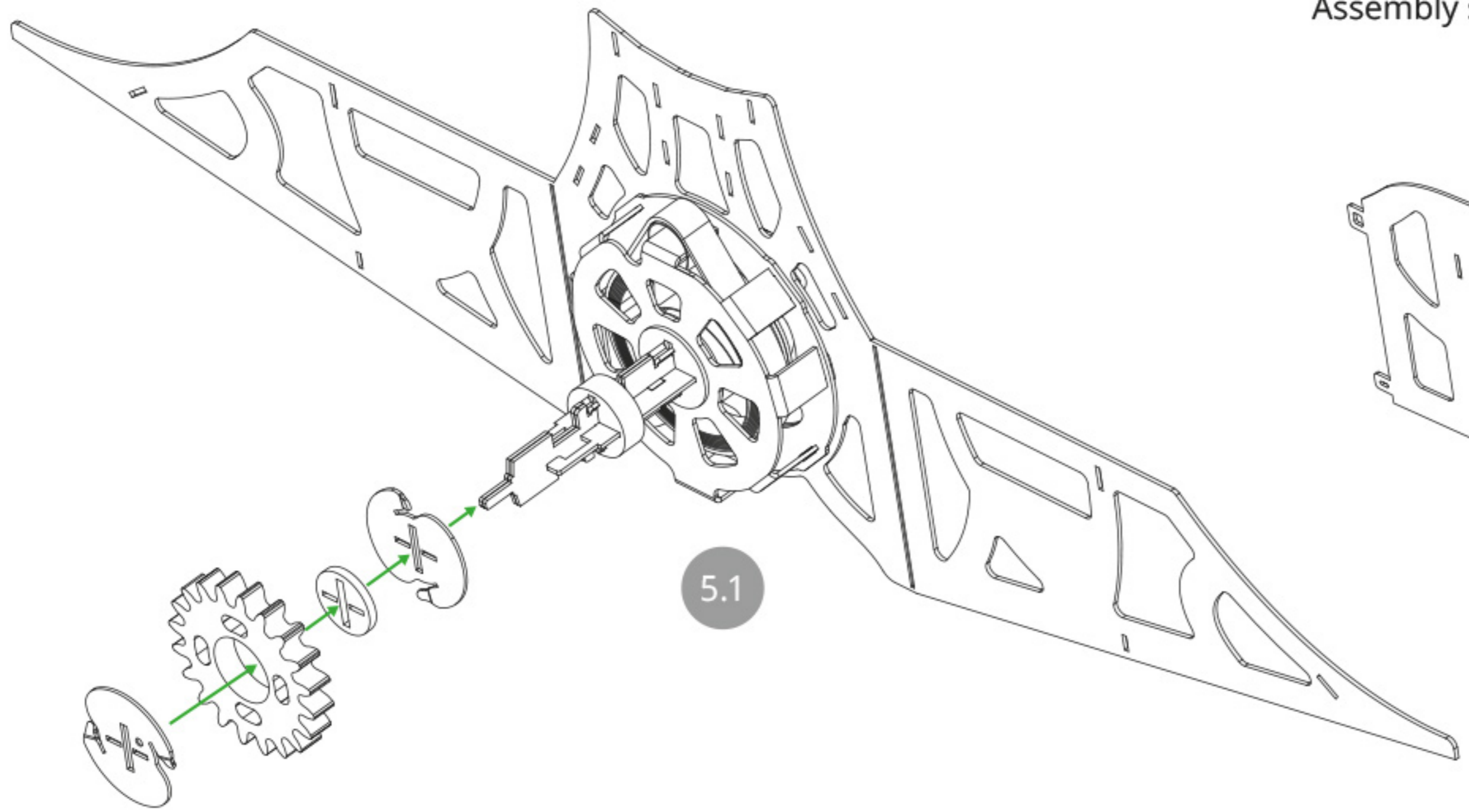
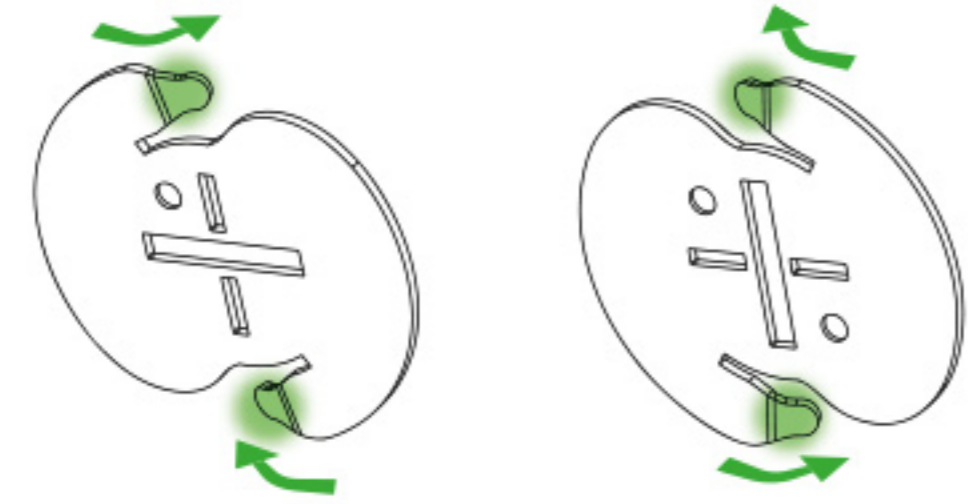
#6



G1

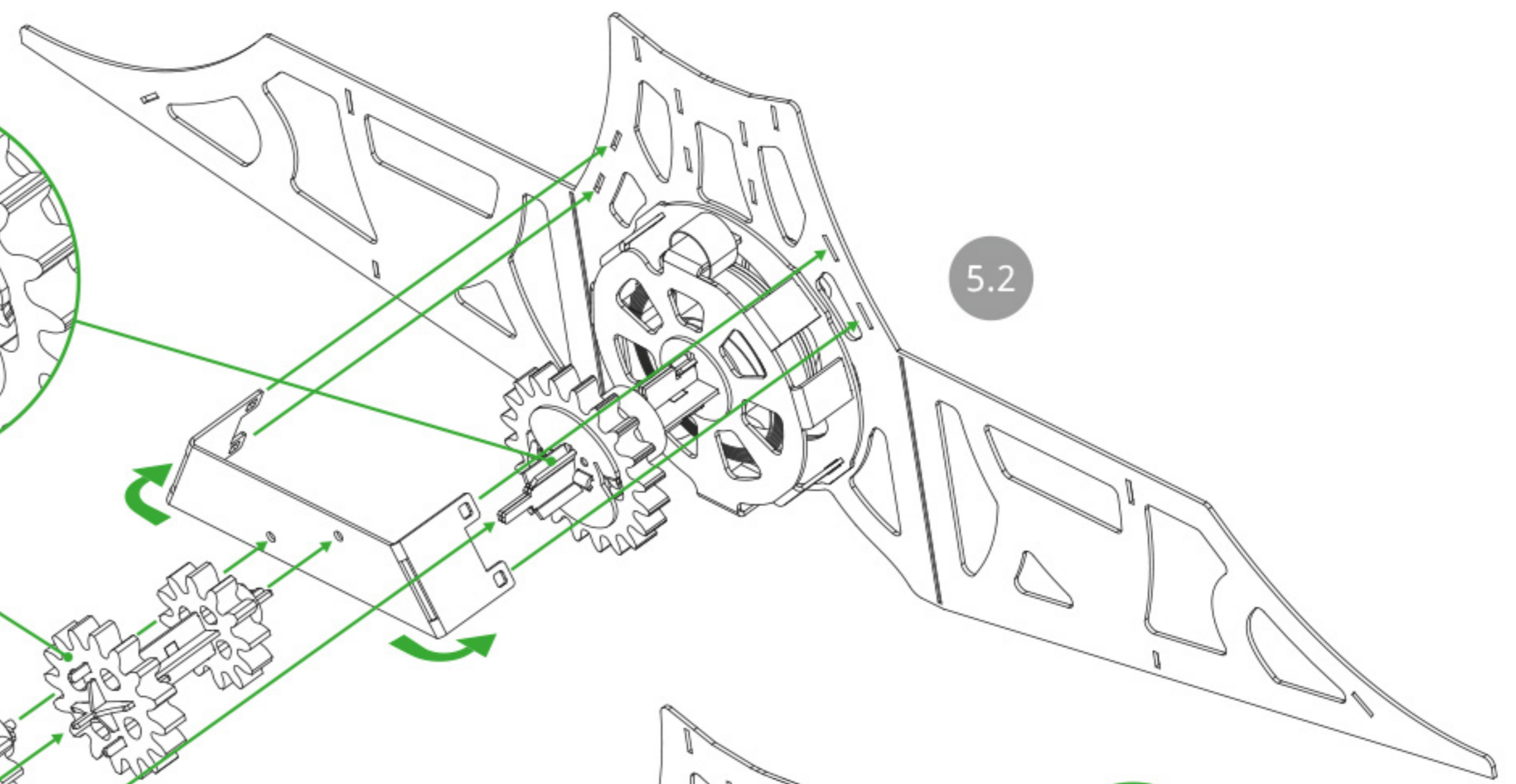
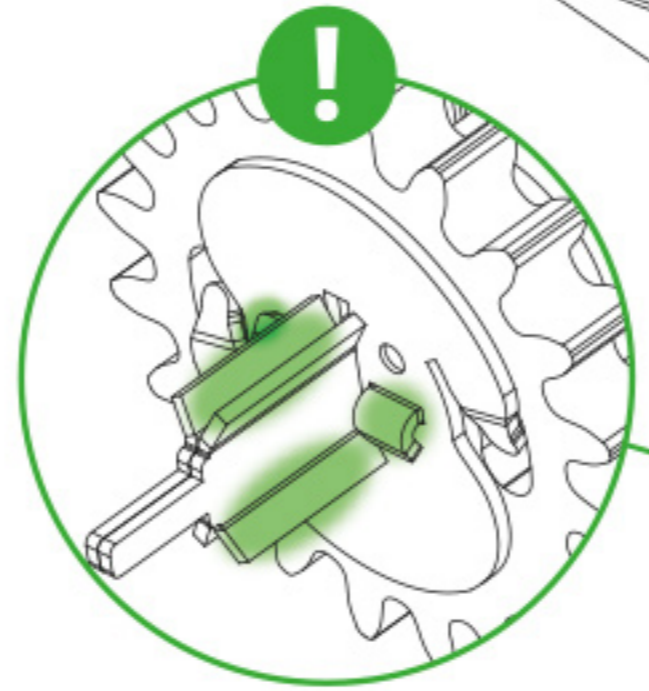


D1

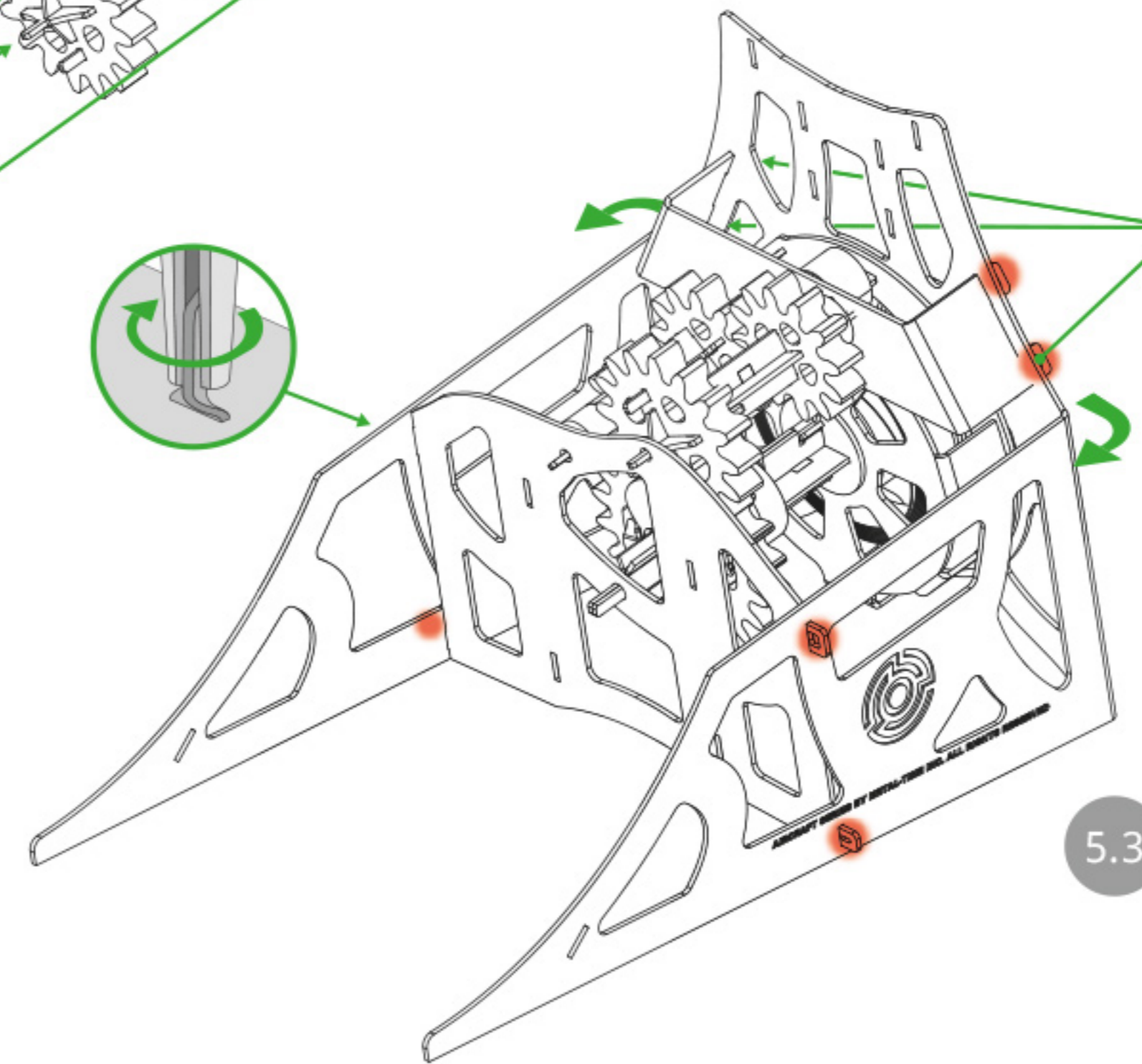


5.1

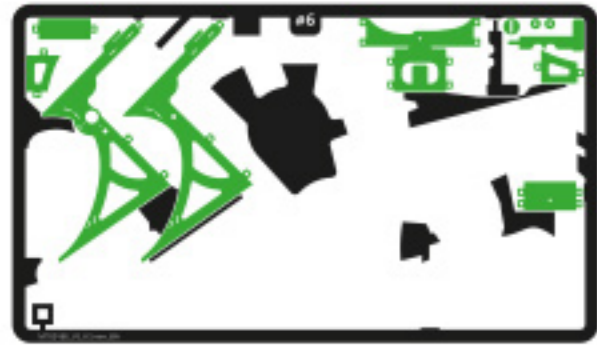
Assembly step 1
Assembly step 2



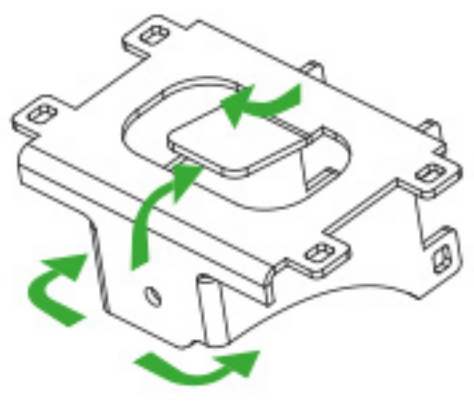
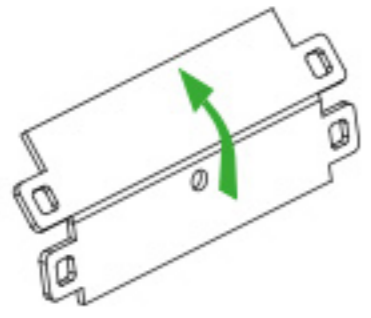
5.2



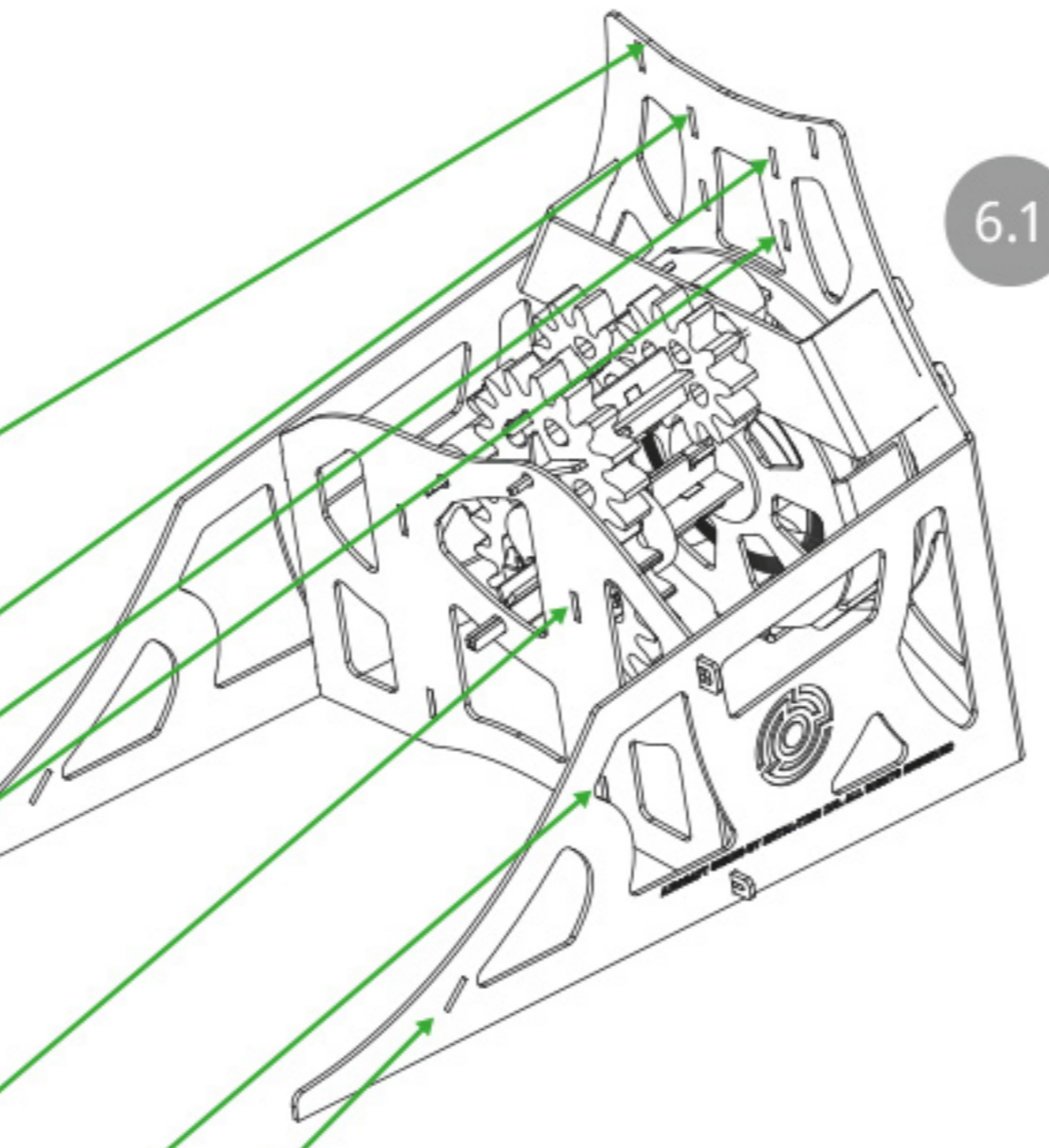
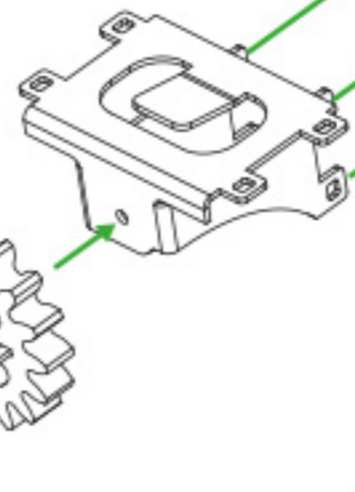
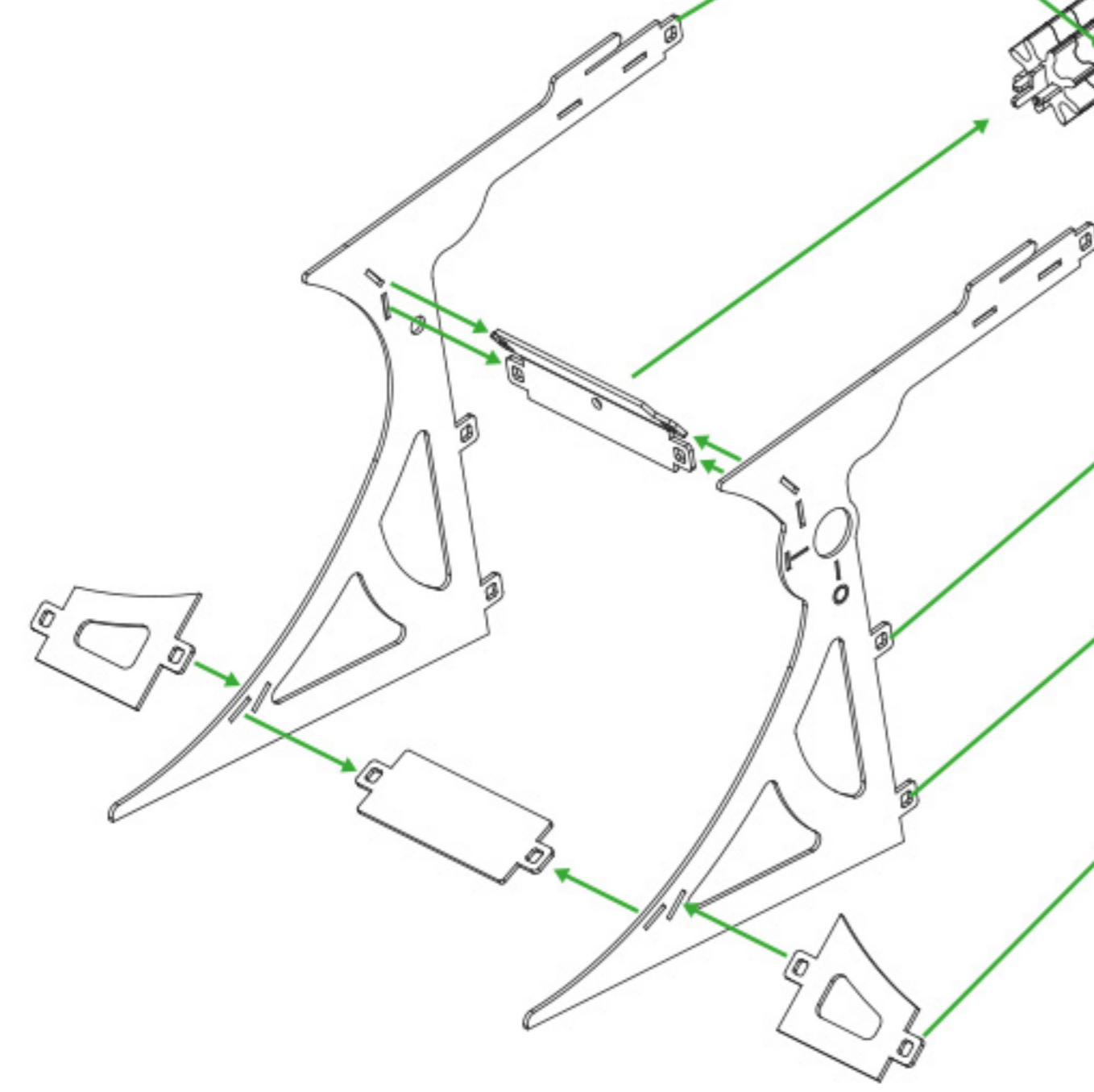
5.3



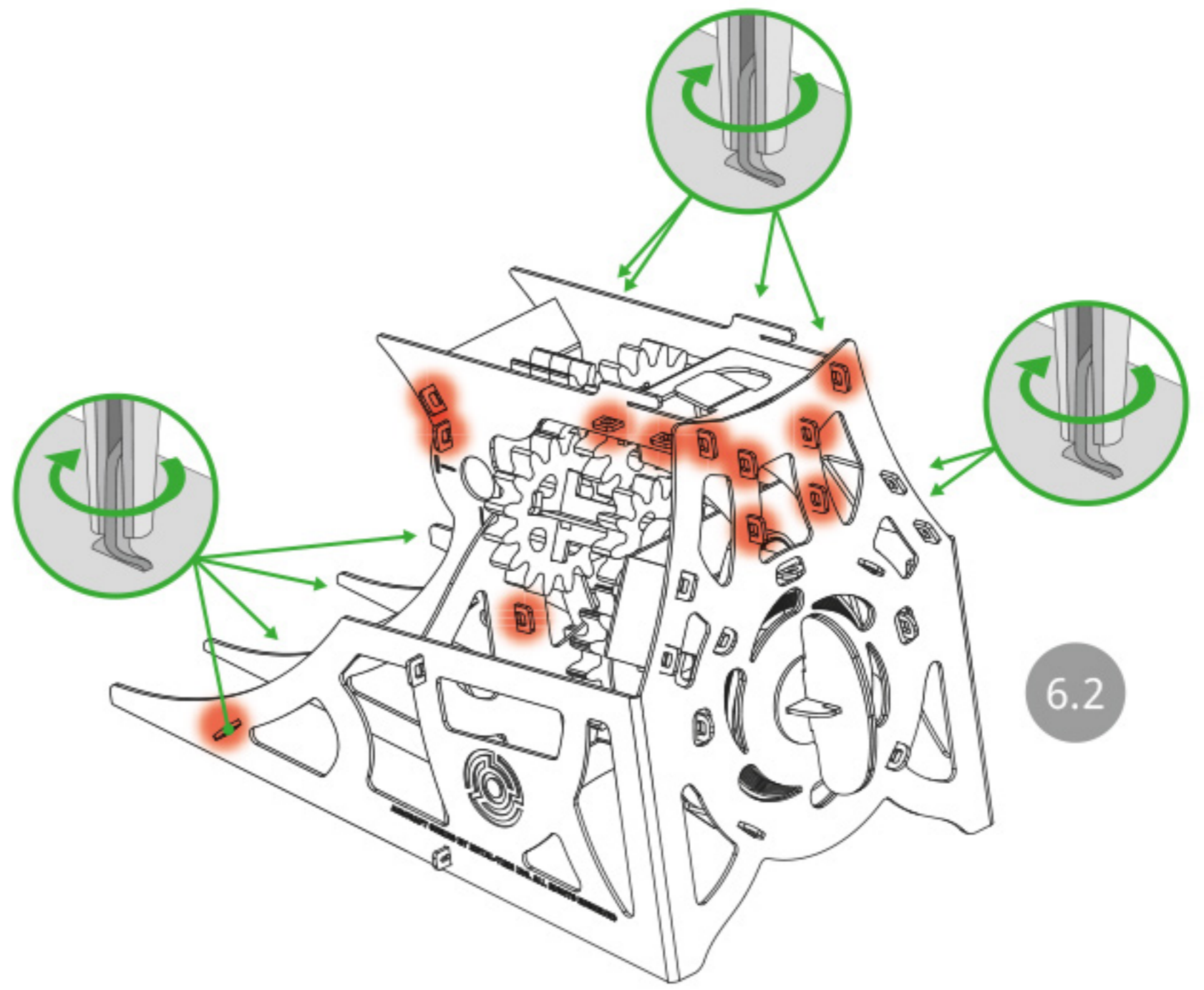
#6



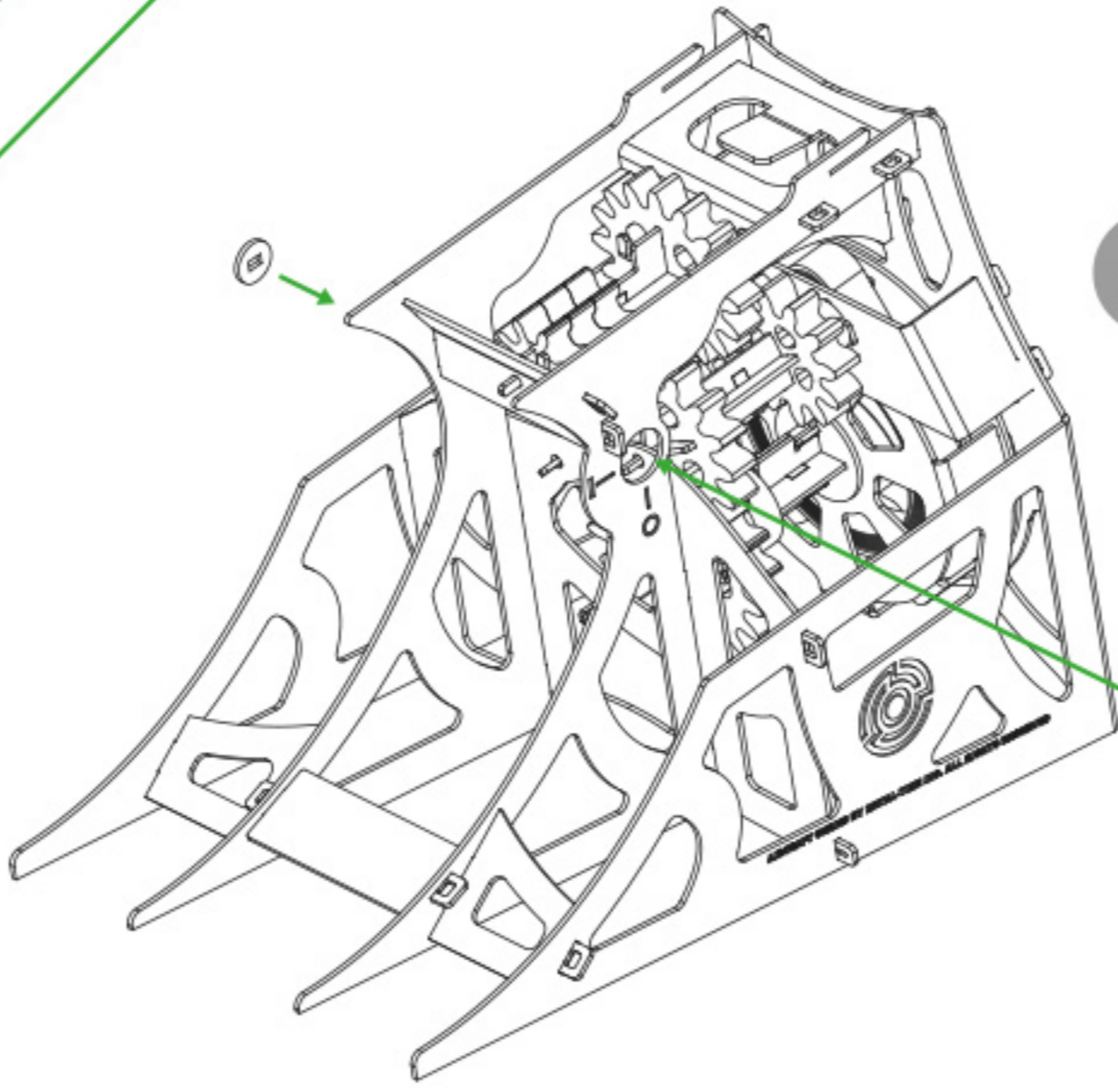
Assembly step 3



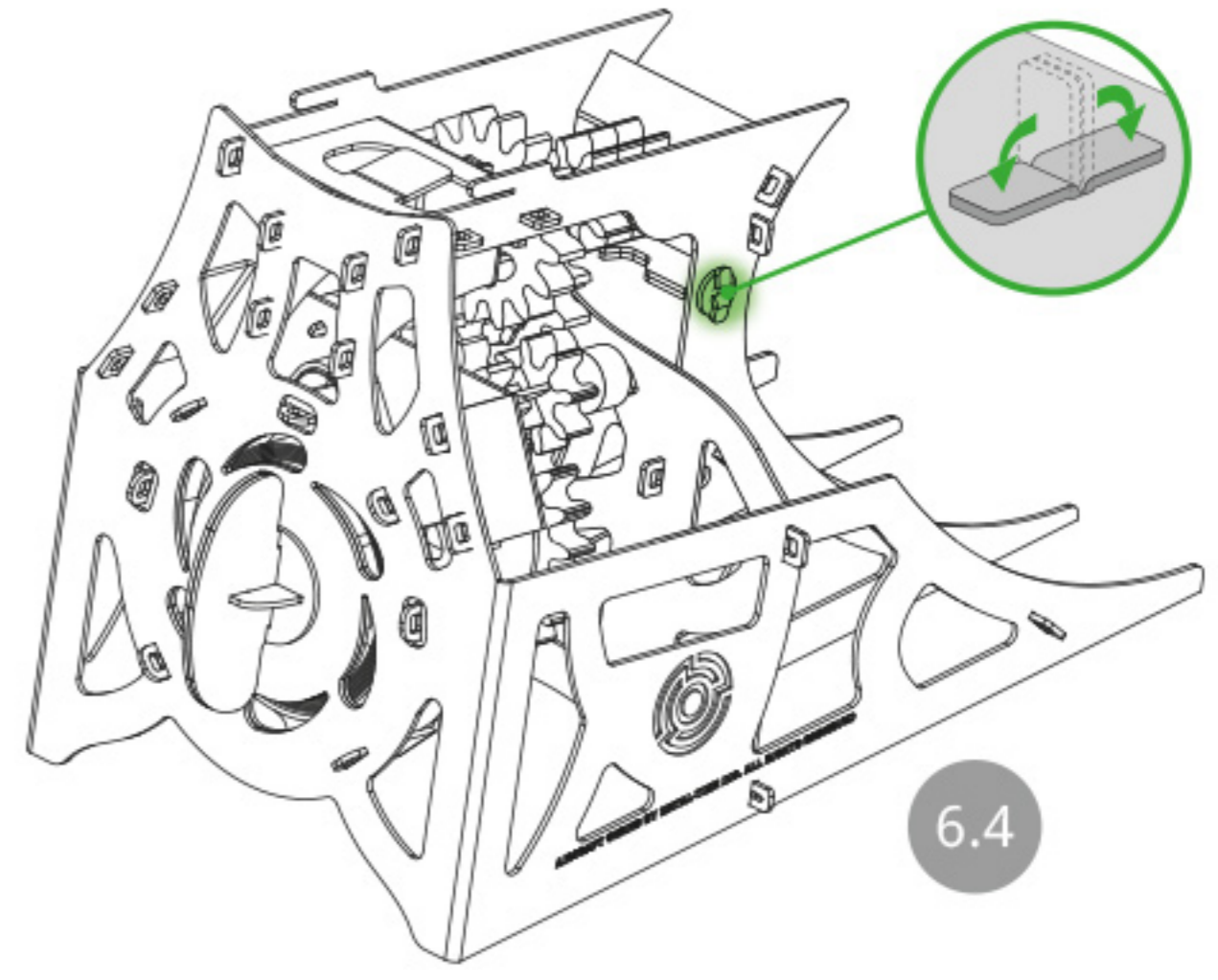
6.1



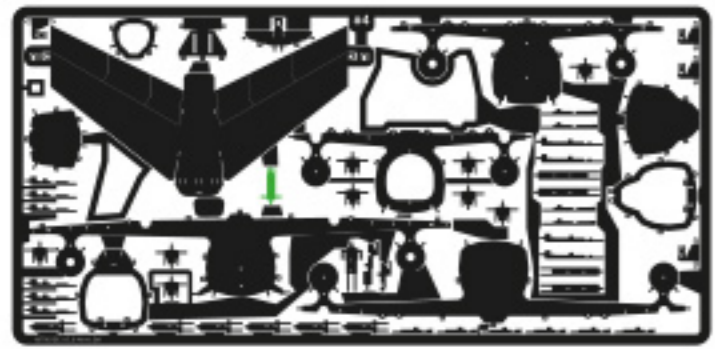
6.2



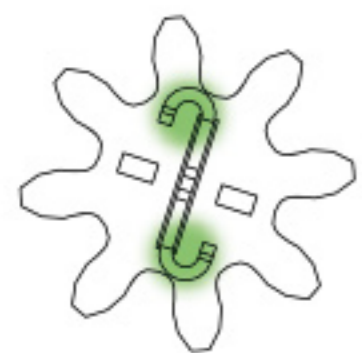
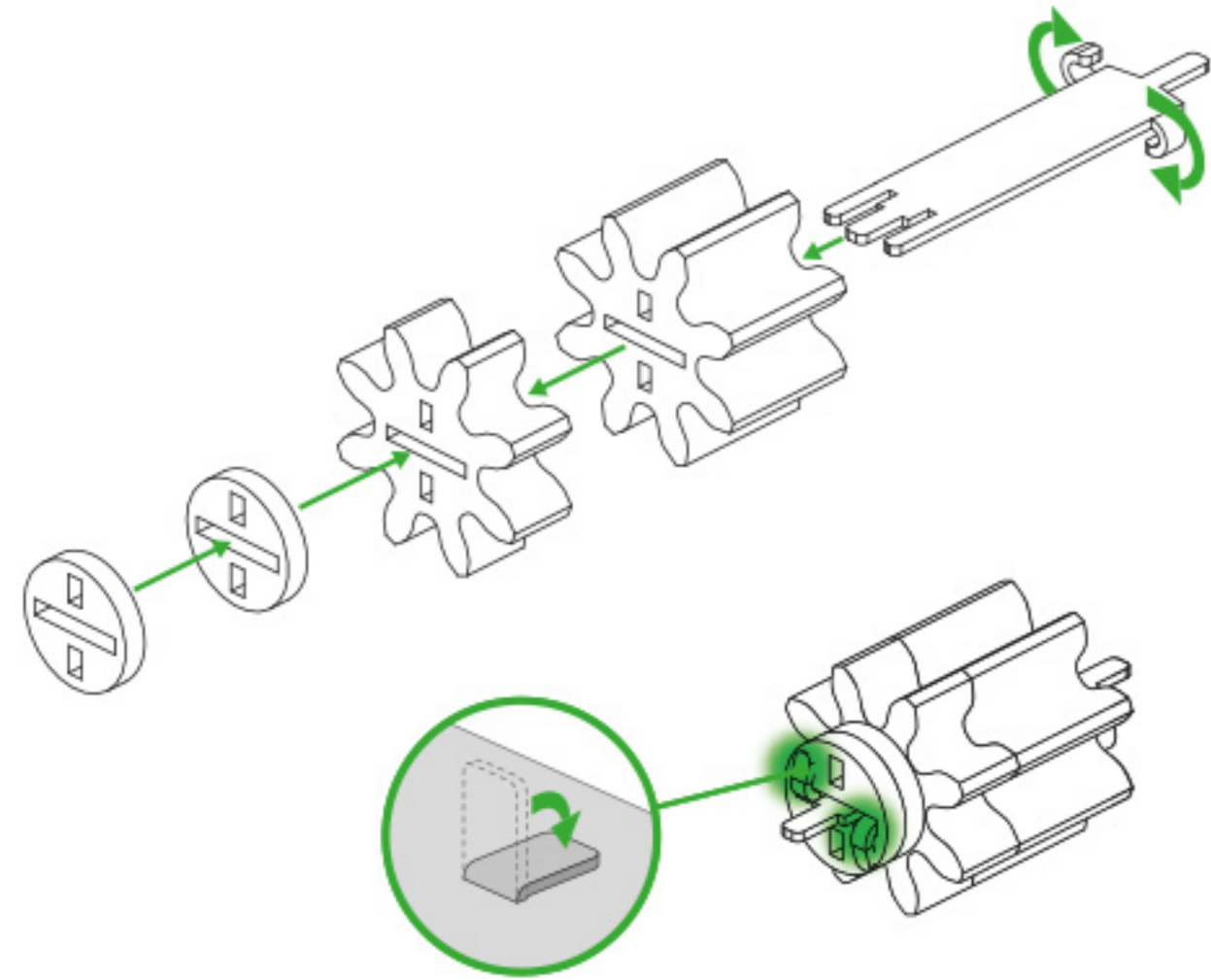
6.3



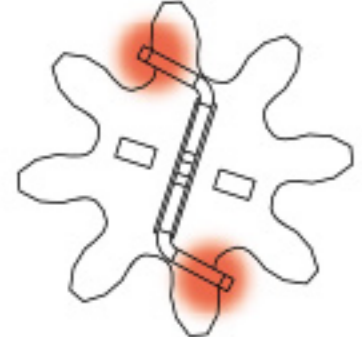
6.4



#4



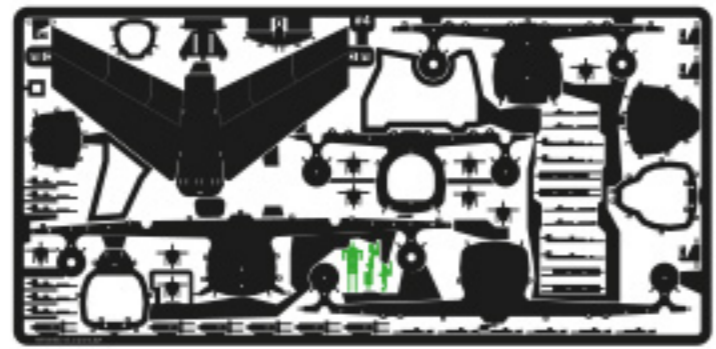
RIGHT



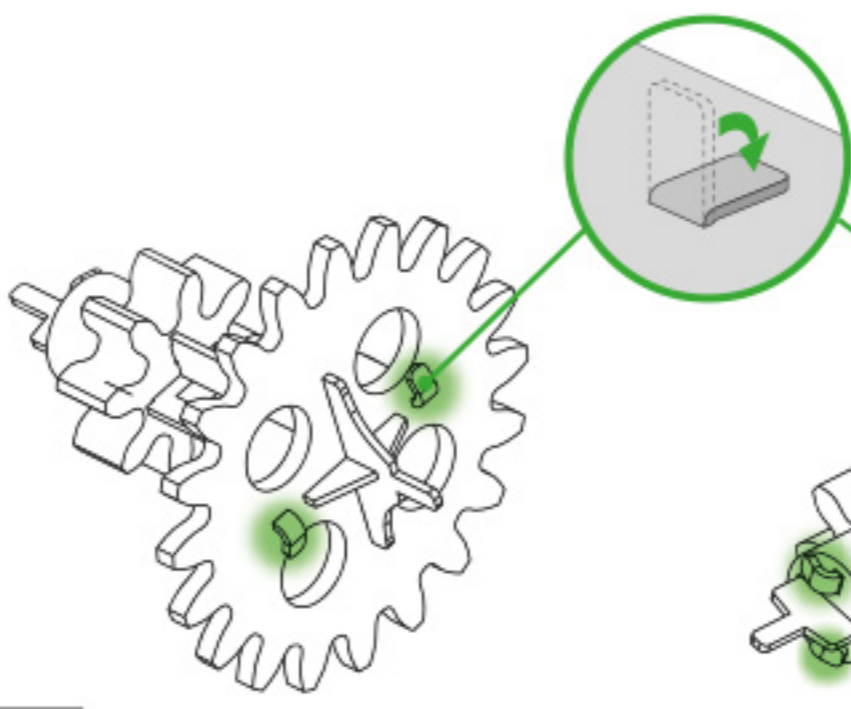
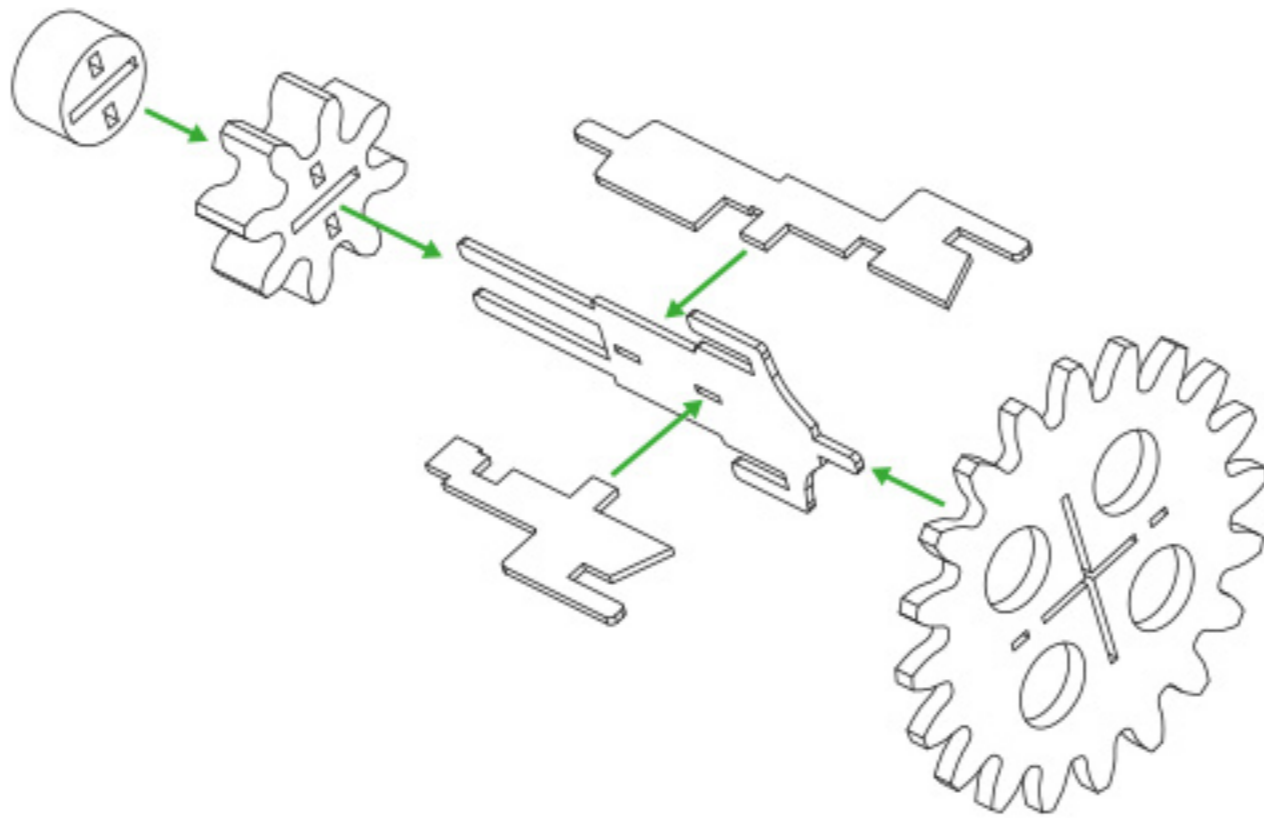
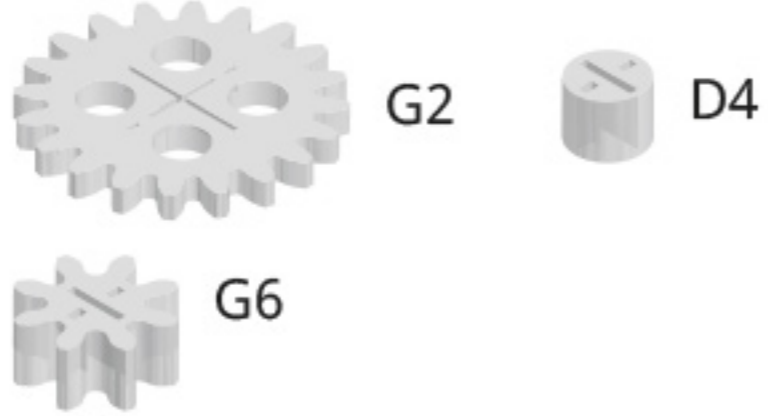
WRONG

Located in the teeth area

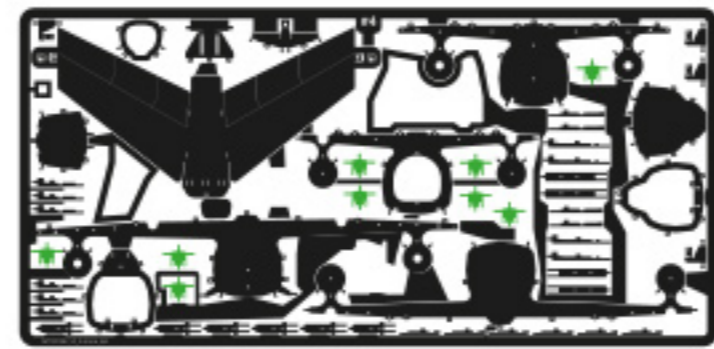
7



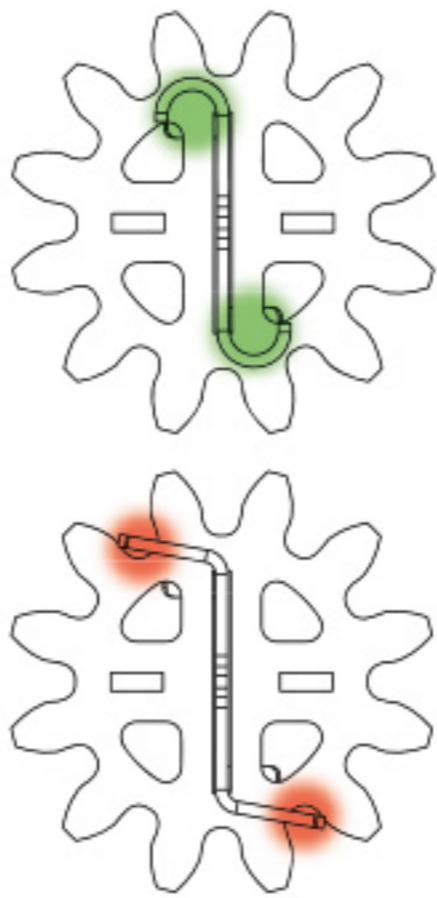
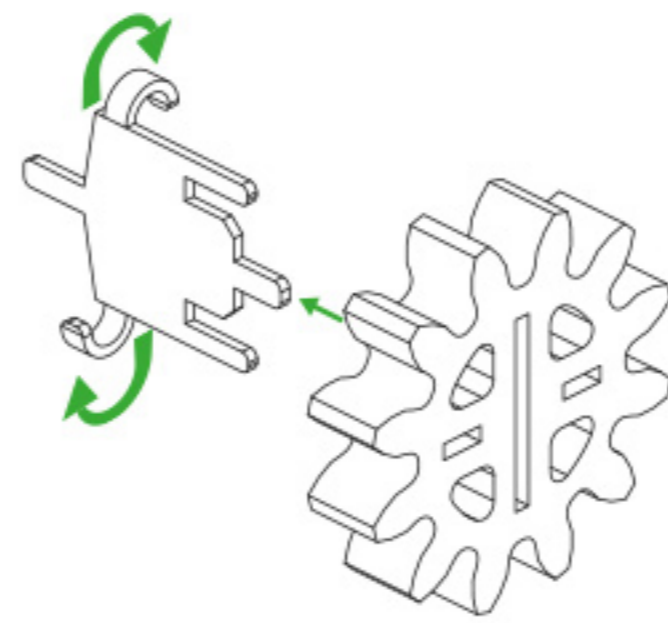
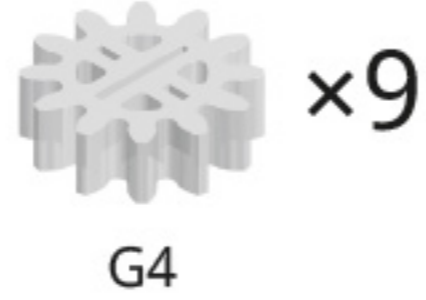
#4



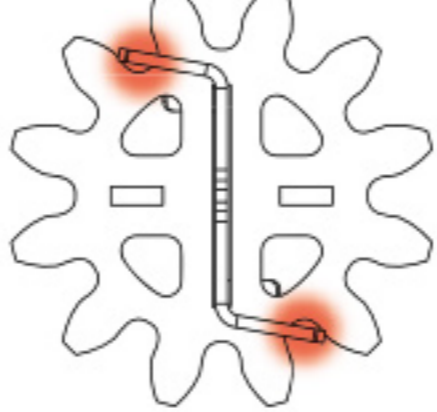
8



#4



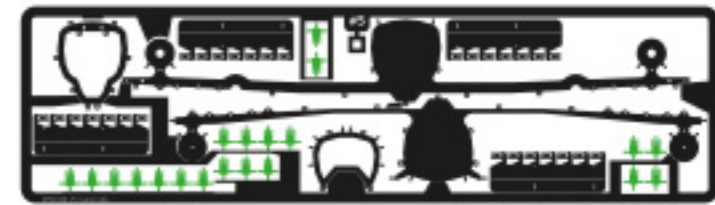
RIGHT



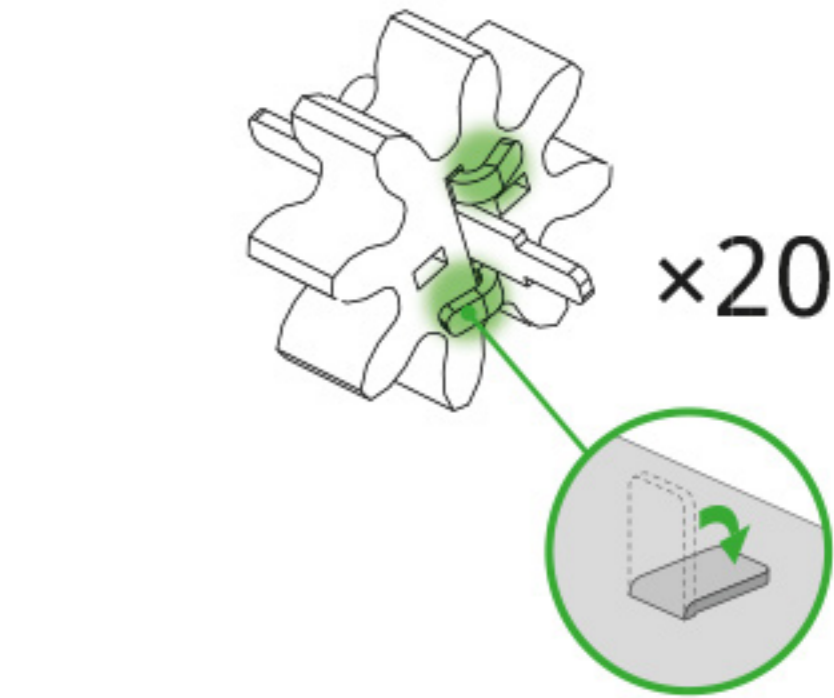
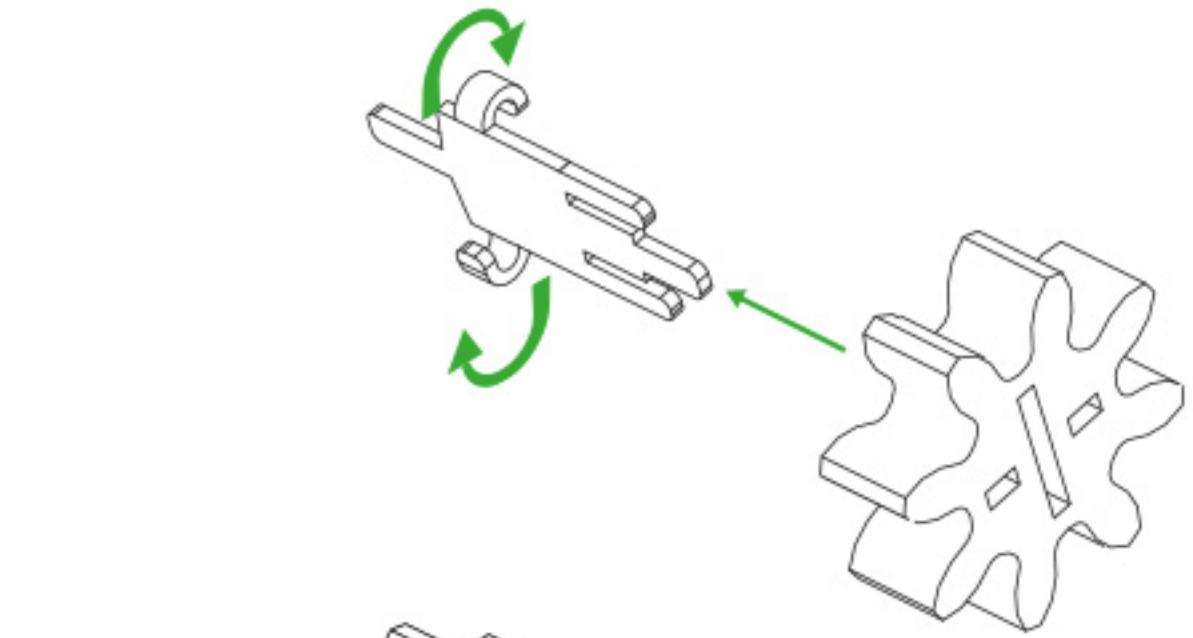
WRONG

Located in the teeth area

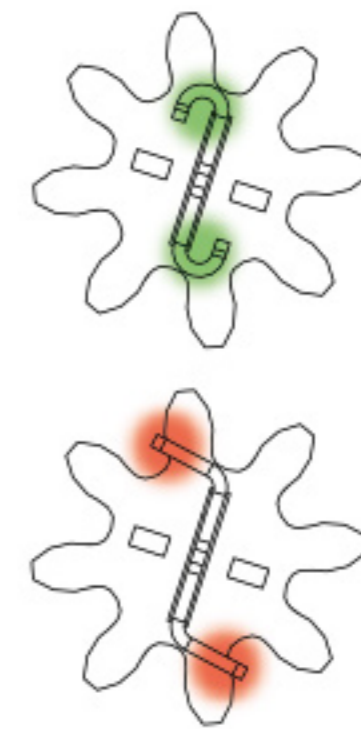
7



#5



RIGHT

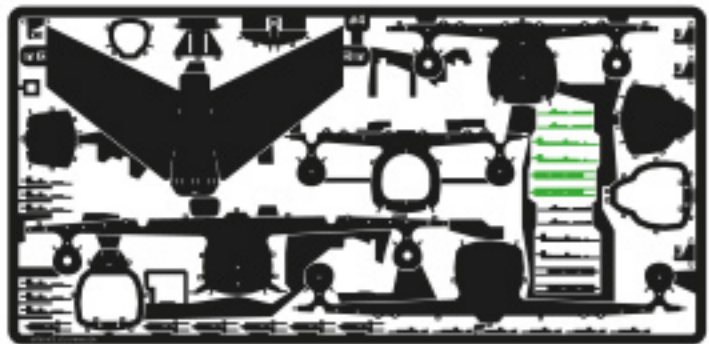


WRONG

Located in the teeth area

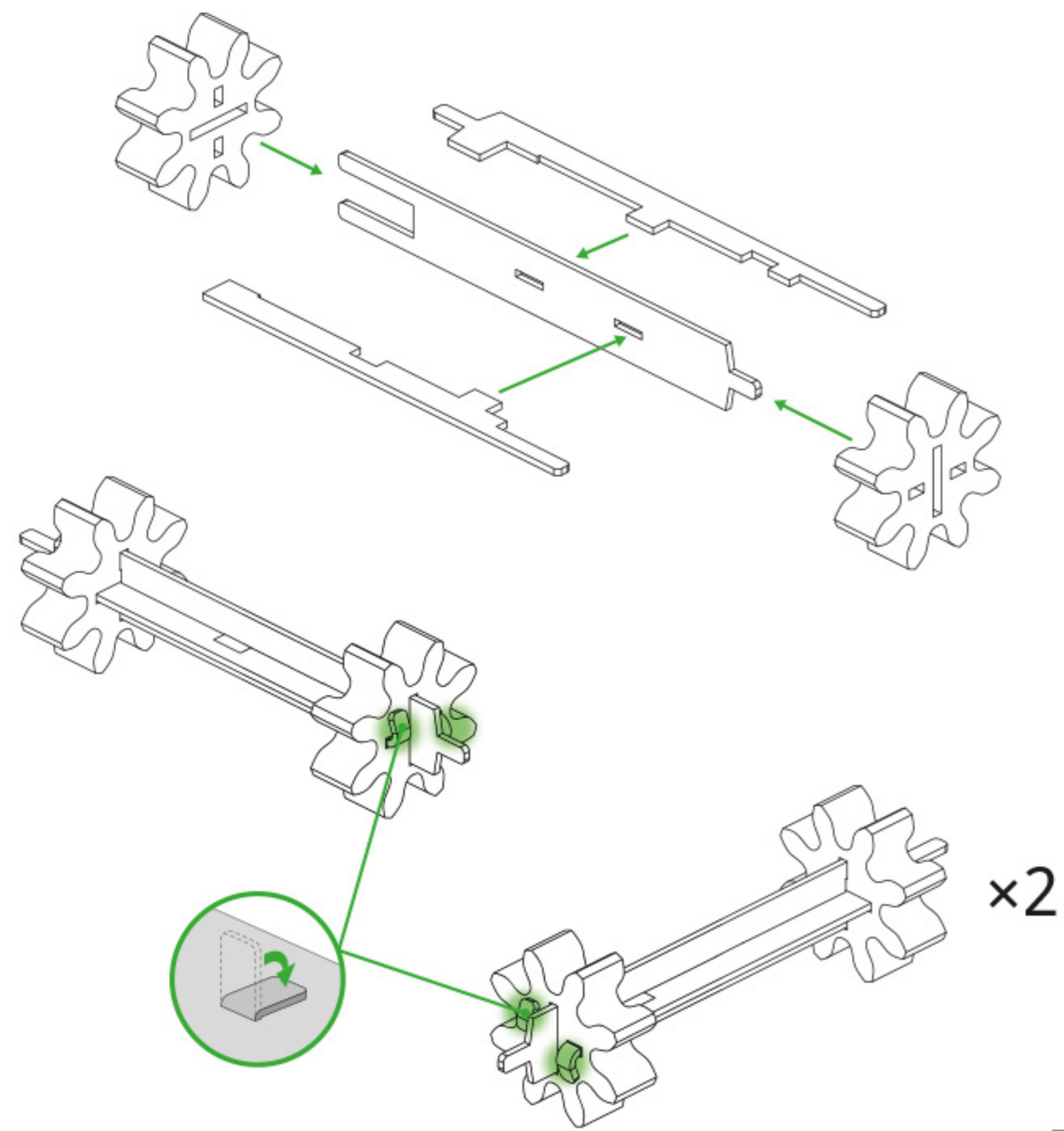
9

10



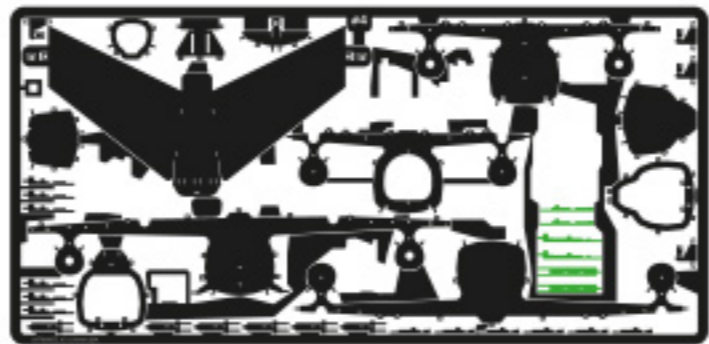
#4

 x4
G6



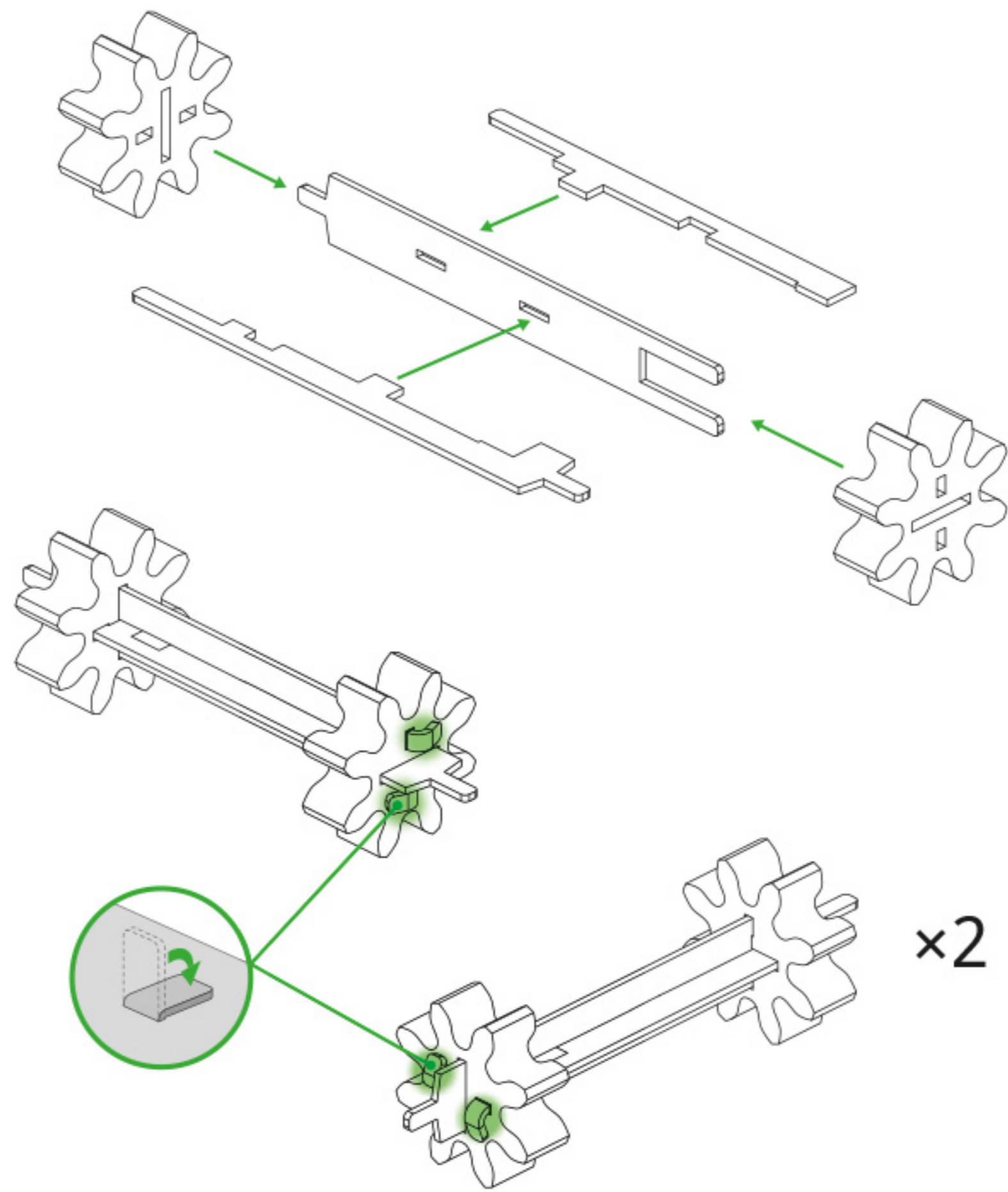
x2

11



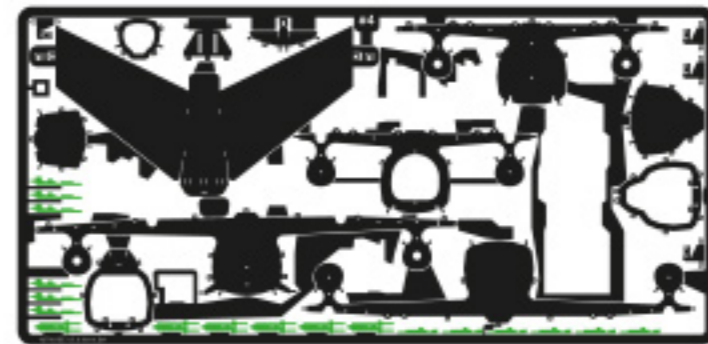
#4

 x4
G6



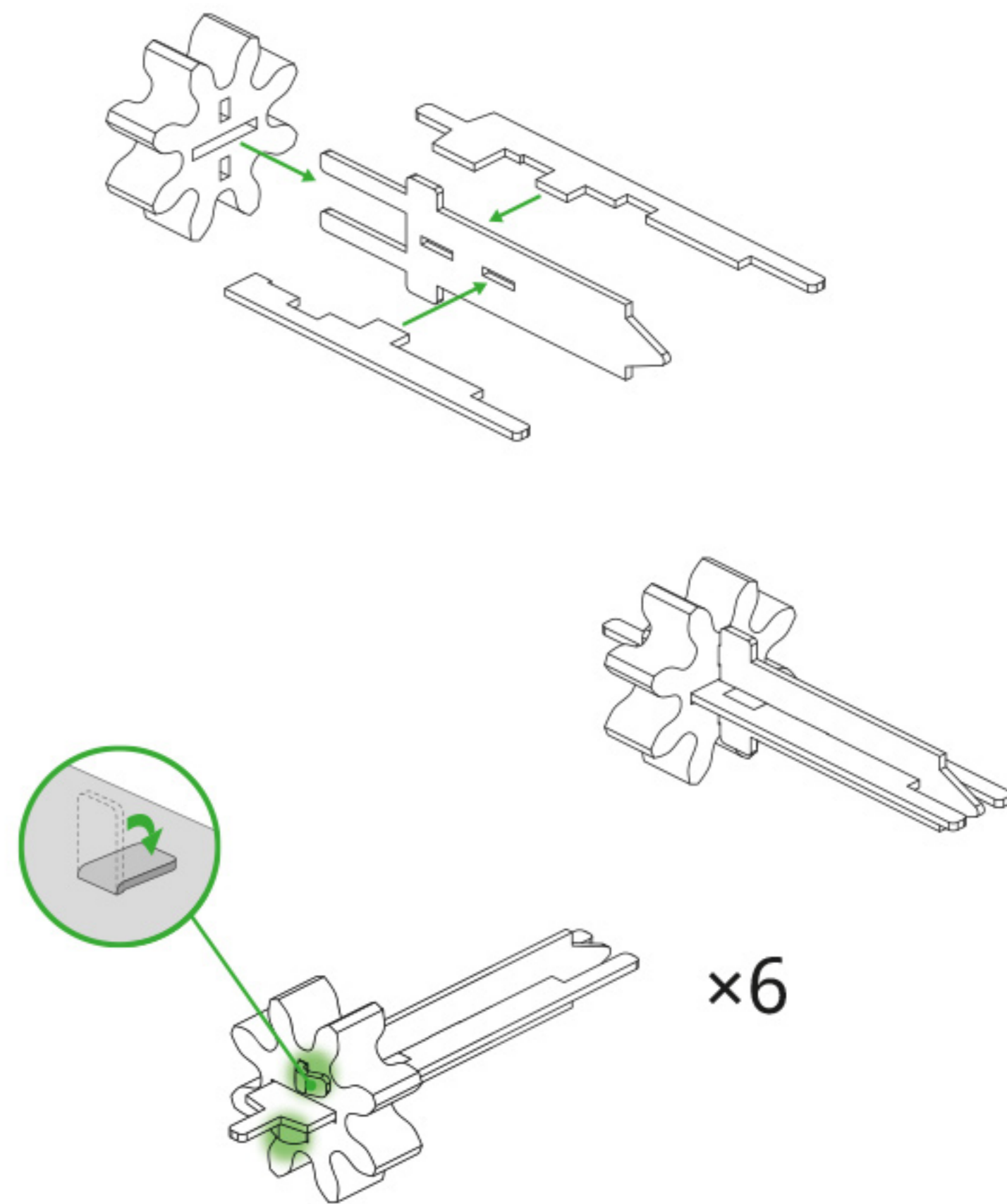
x2

12



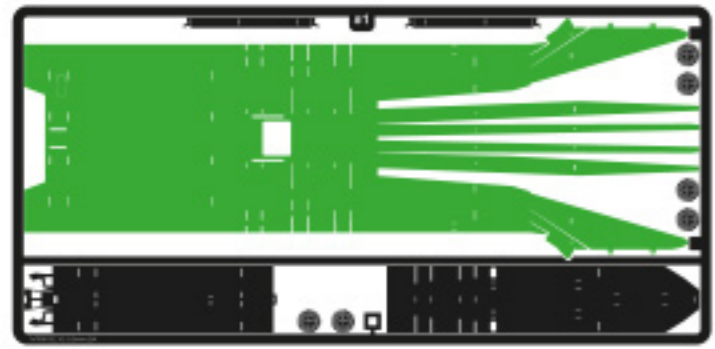
#4

 x6
G6

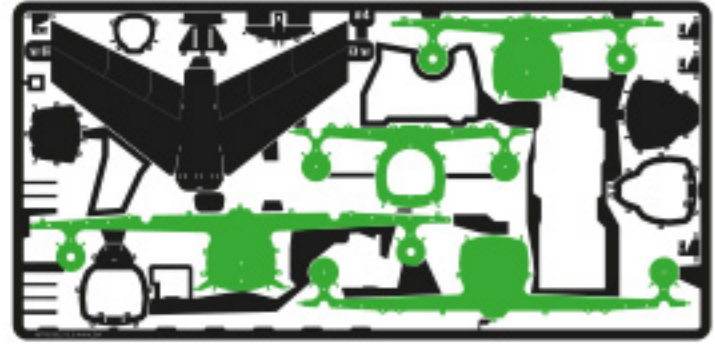


x6

13



#1

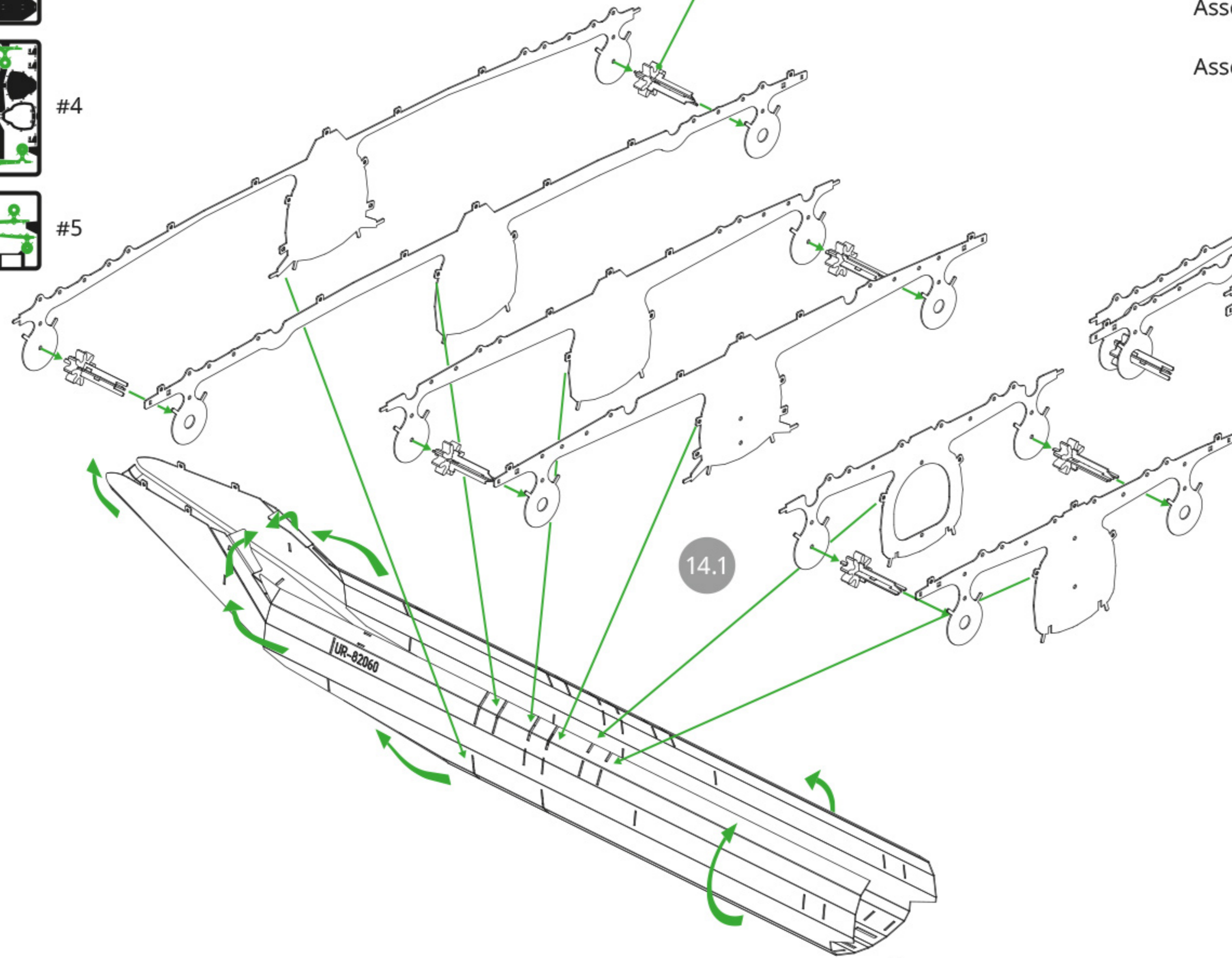


#4



#5

Assembly step 13

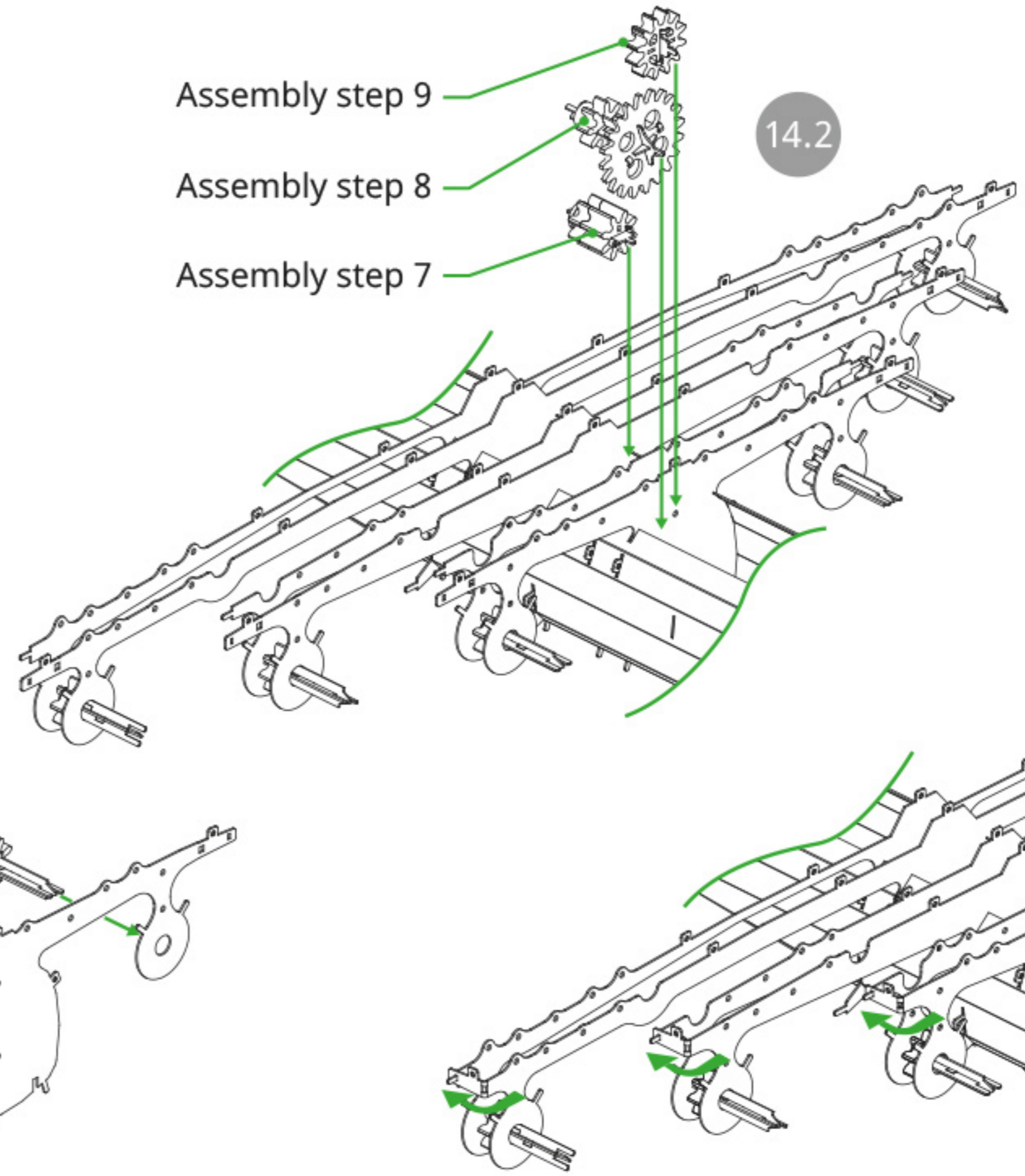


14.1

Assembly step 9

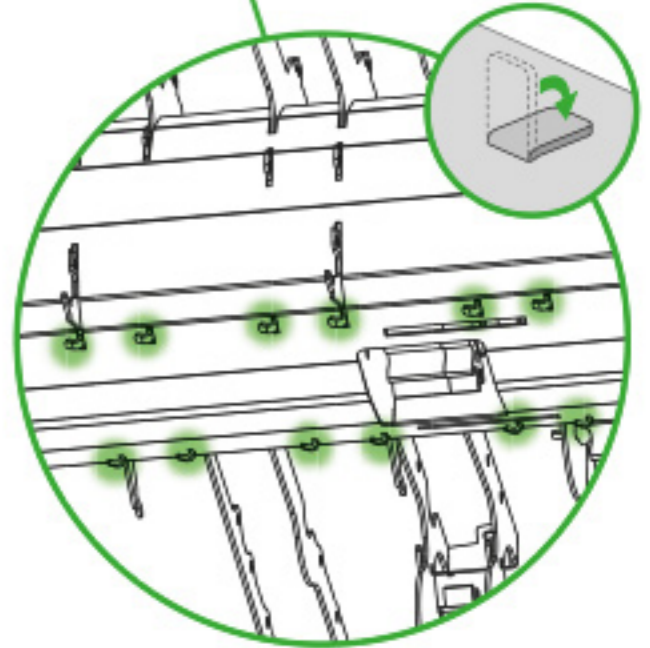
Assembly step 8

Assembly step 7



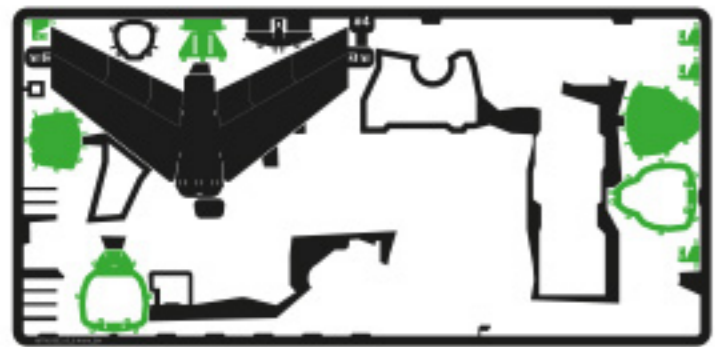
14.2

14.3

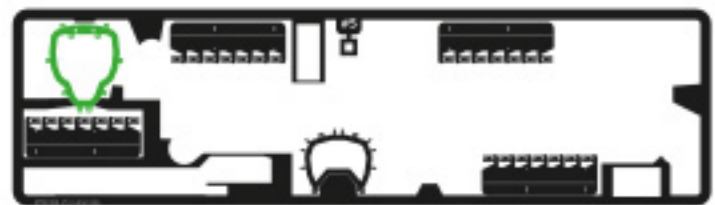




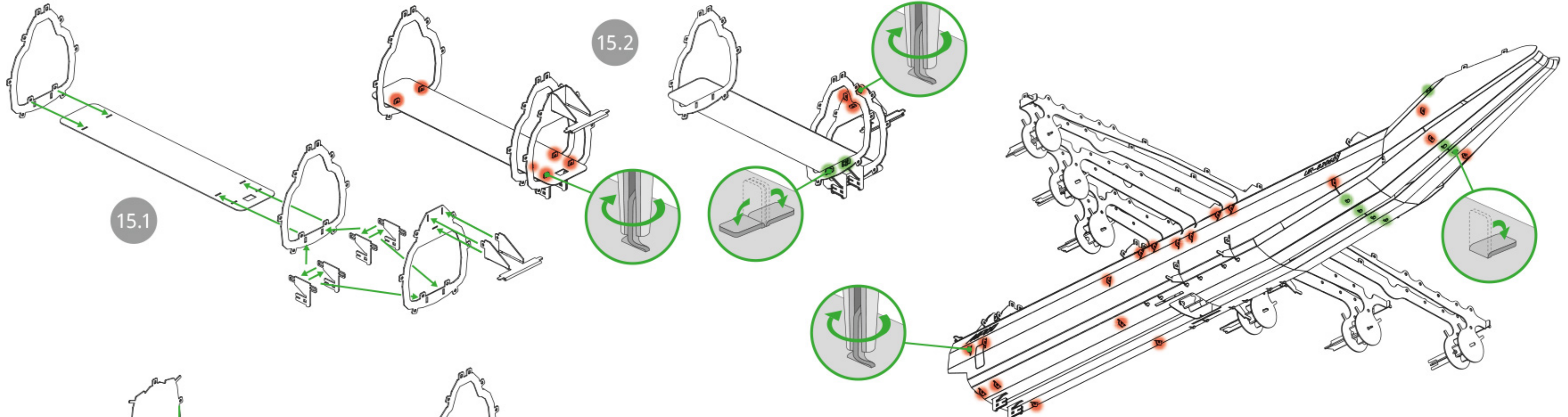
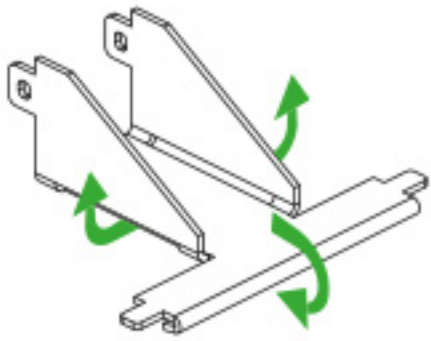
#2



#4

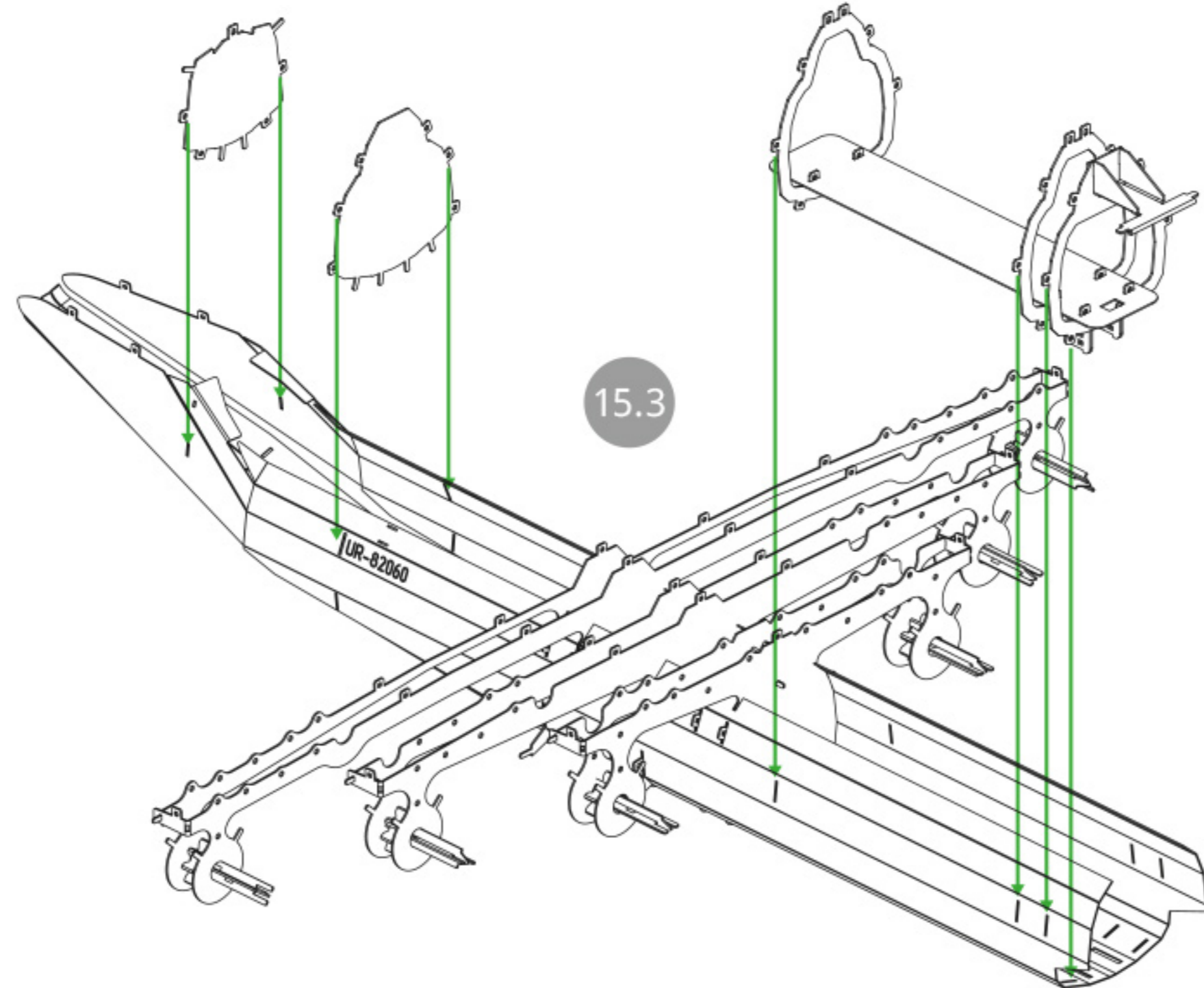


#5

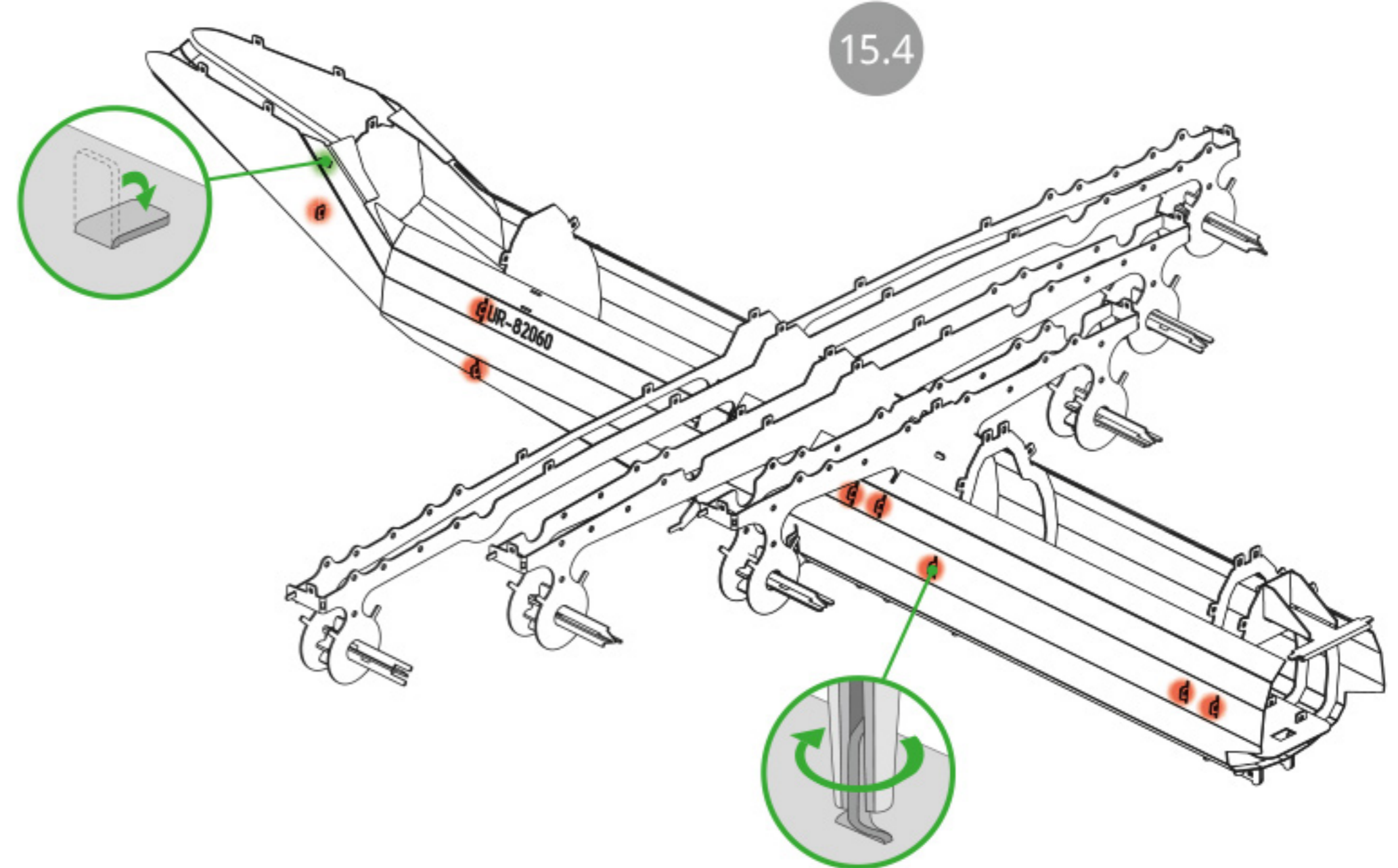


15.1

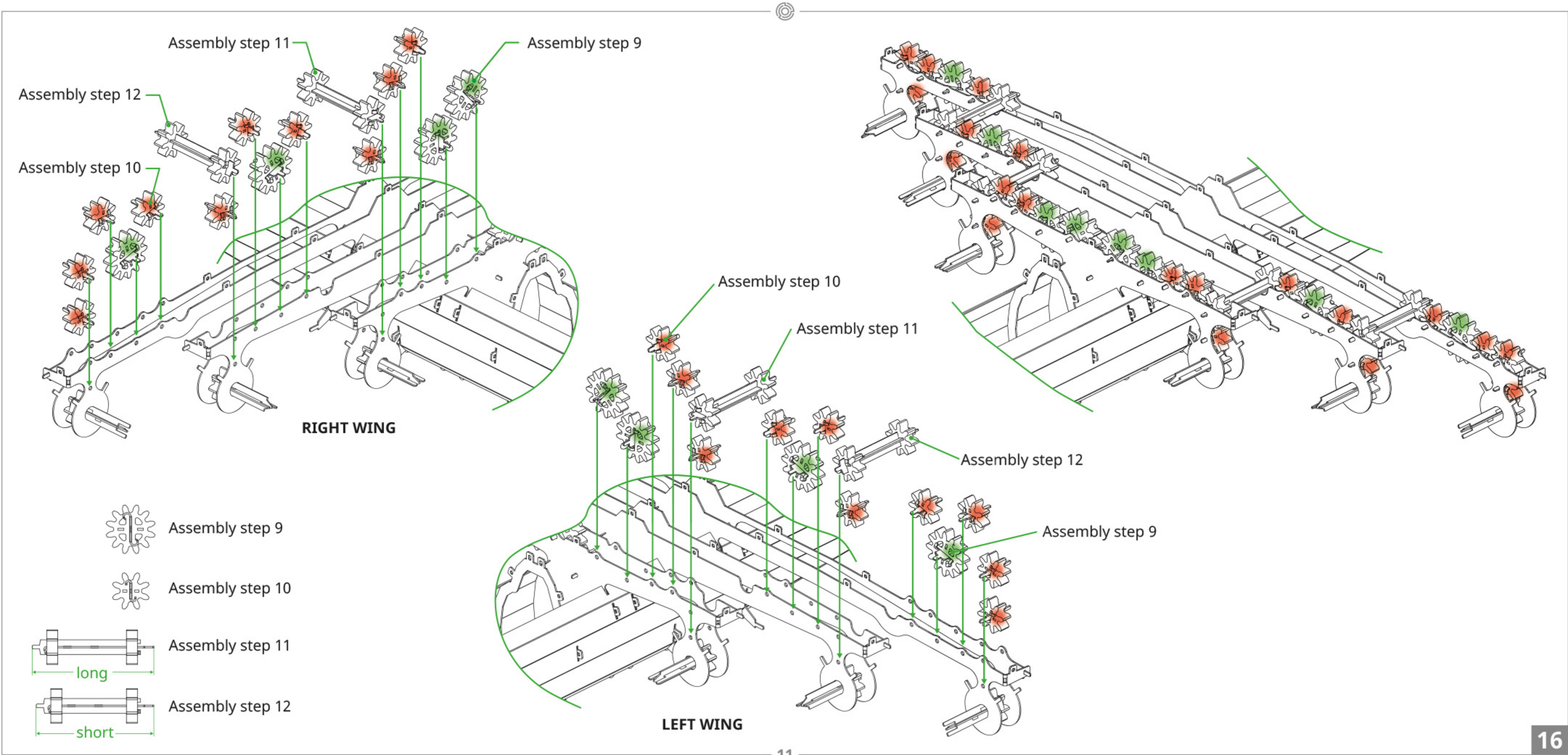
15.2



15.3

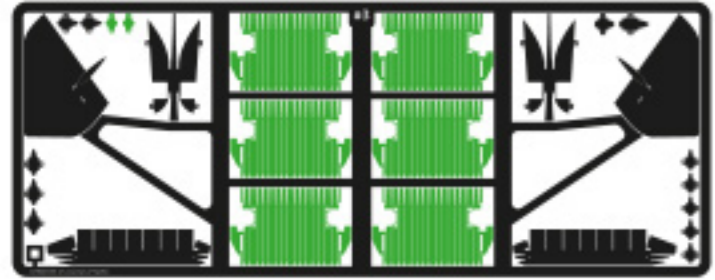


15.4




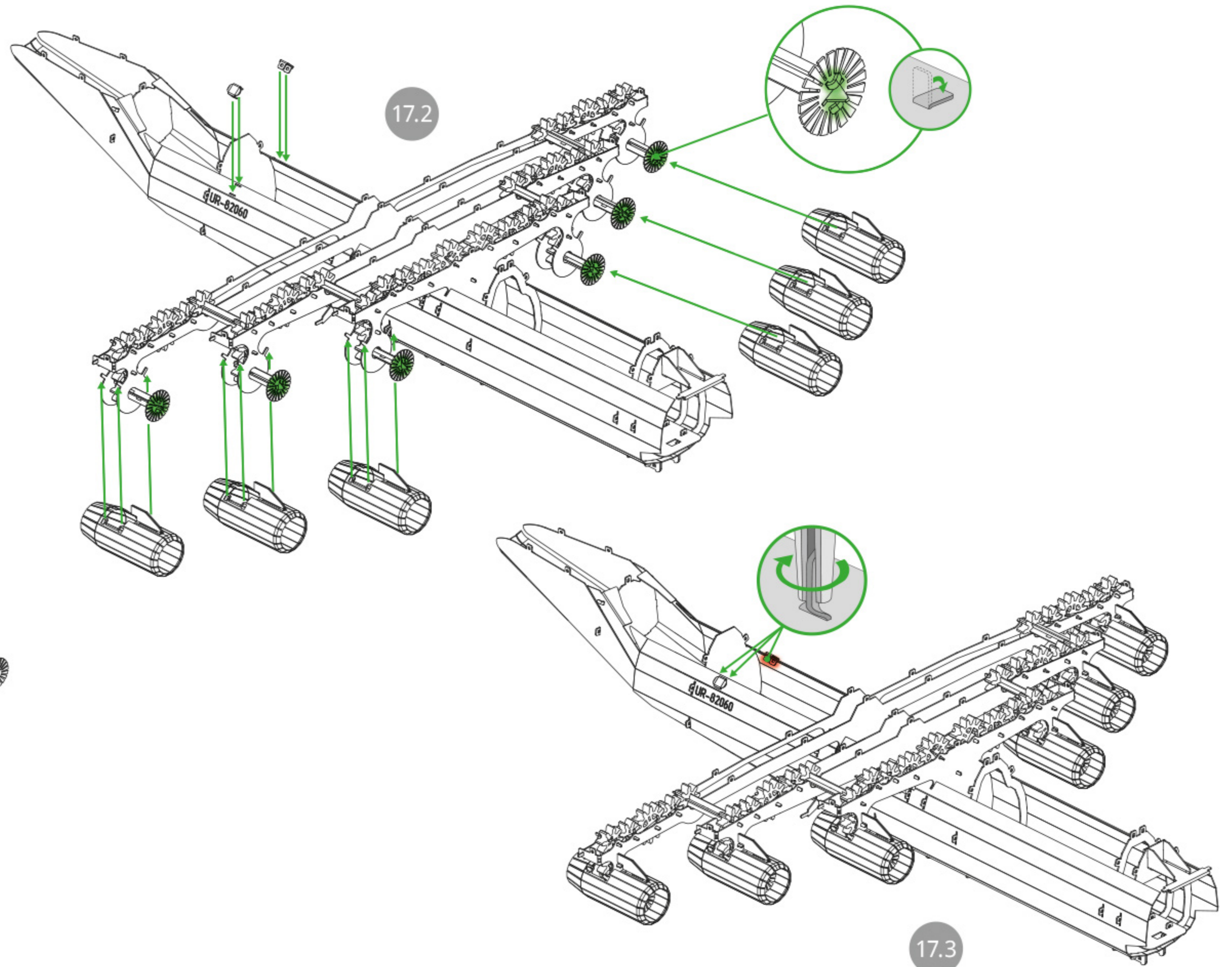
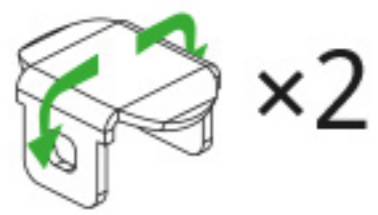
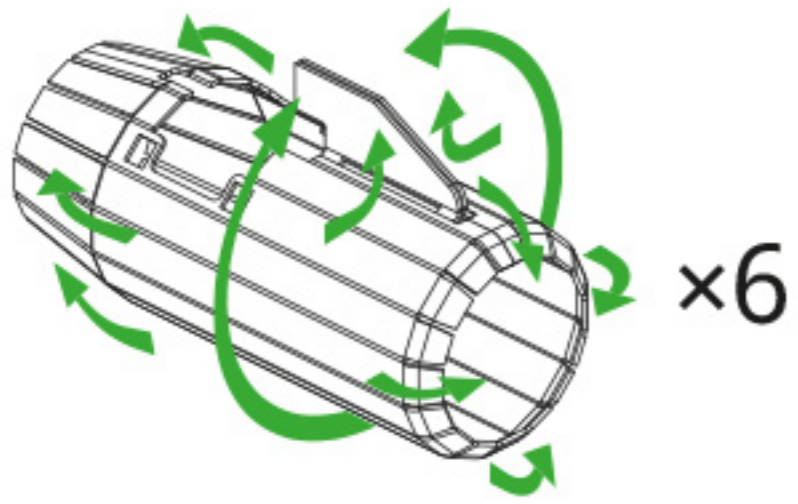


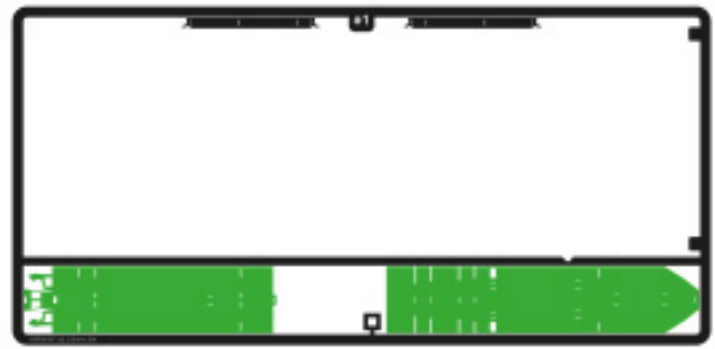
#1



#3

 x6
D2





#1



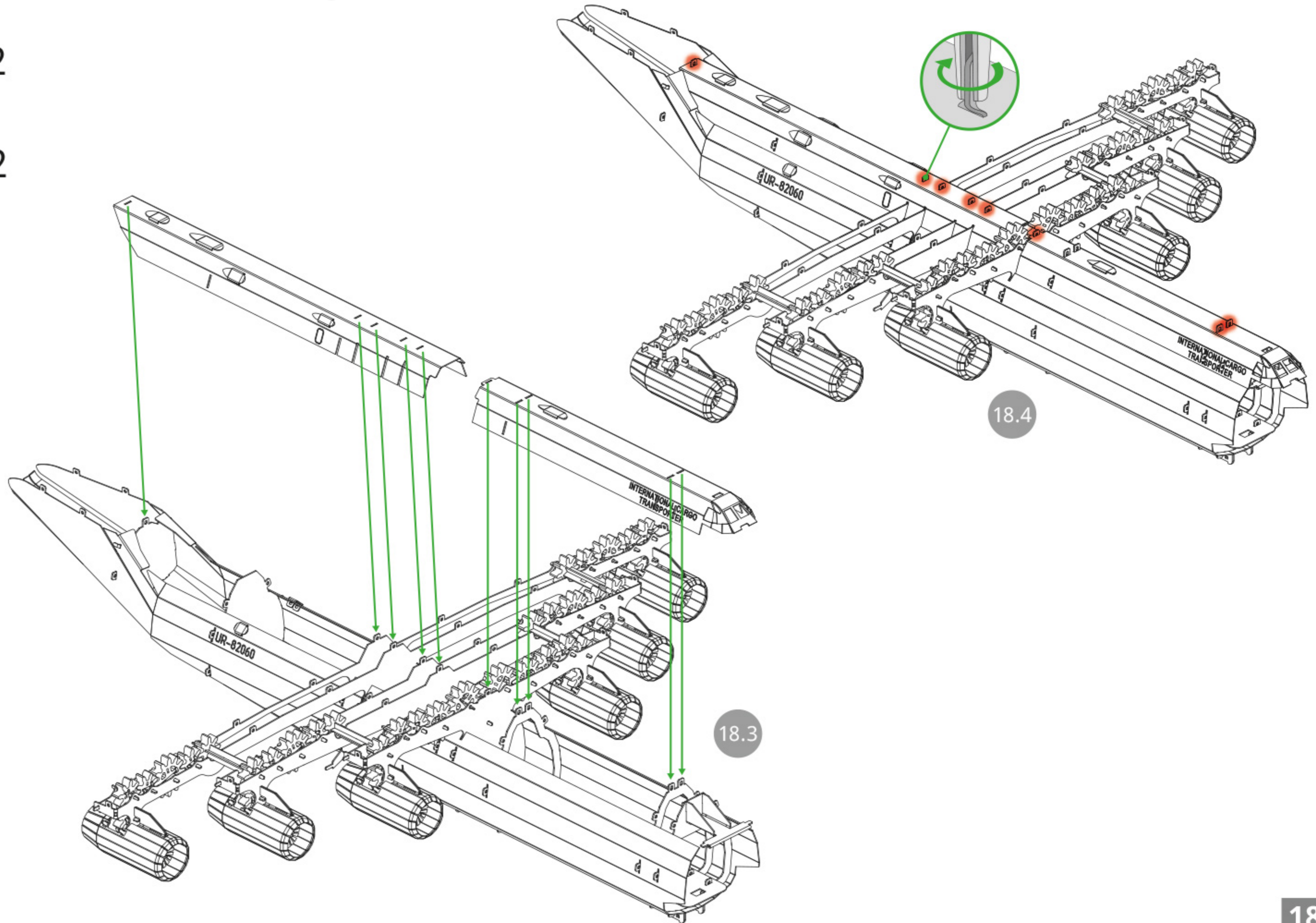
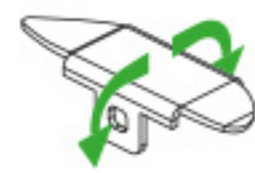
#3



x2



x2



18.2

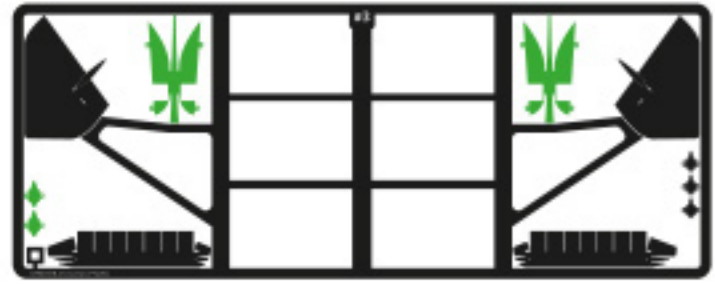
18.4

18.1

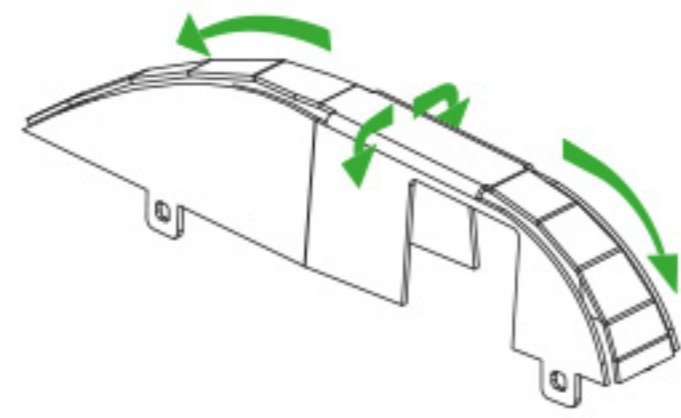
18.3



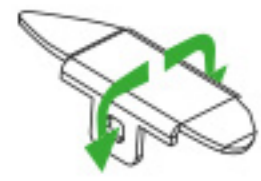
#2



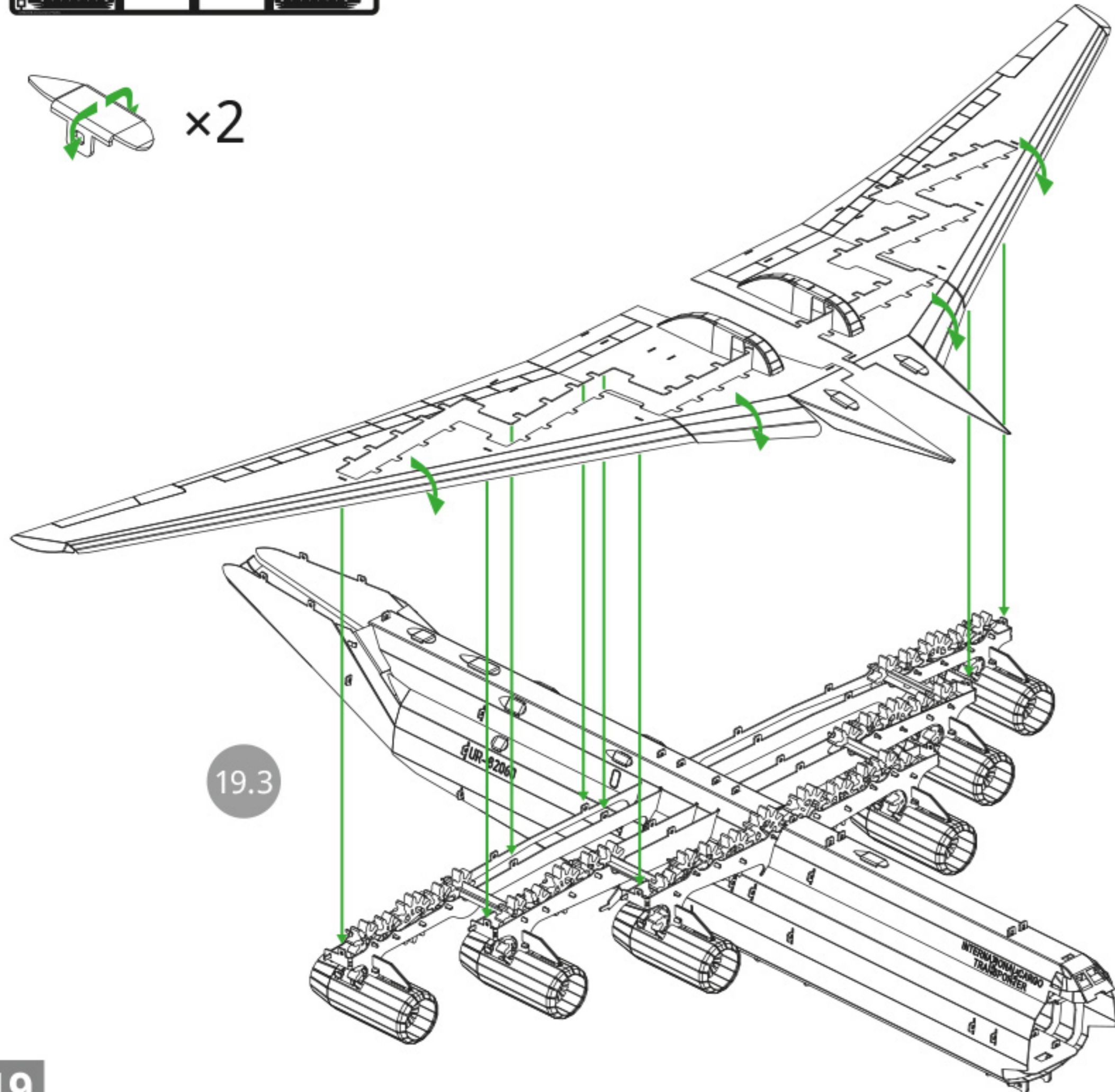
#3



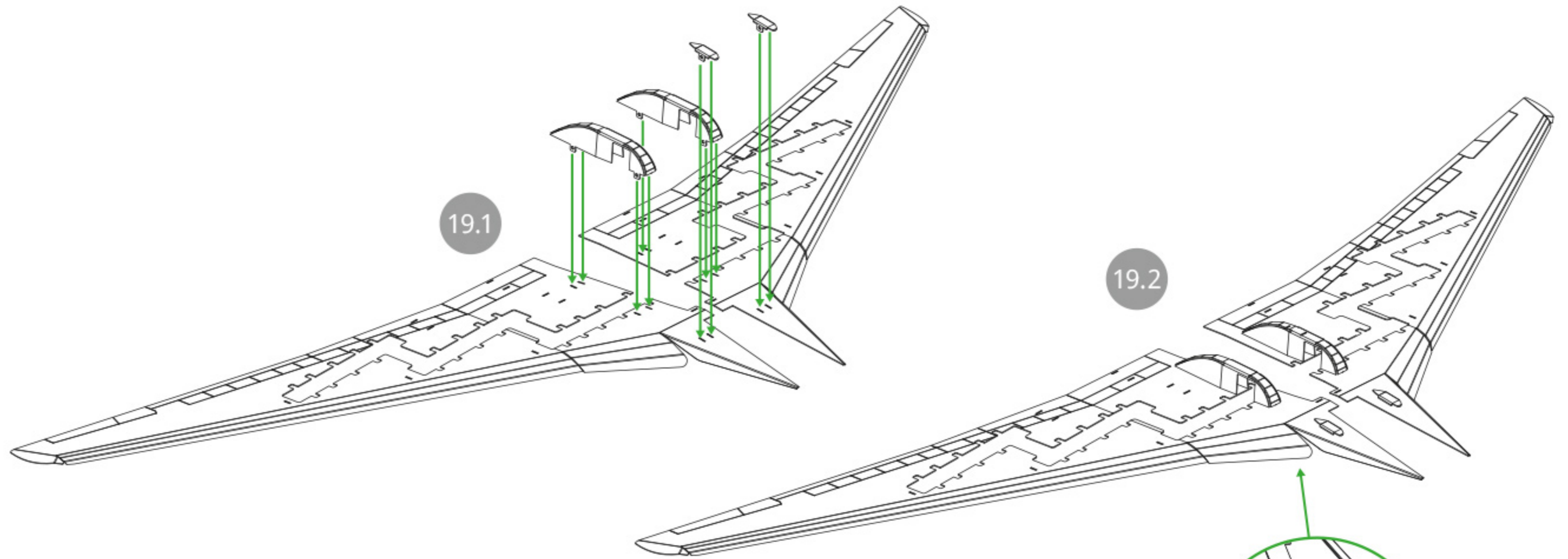
×2



×2

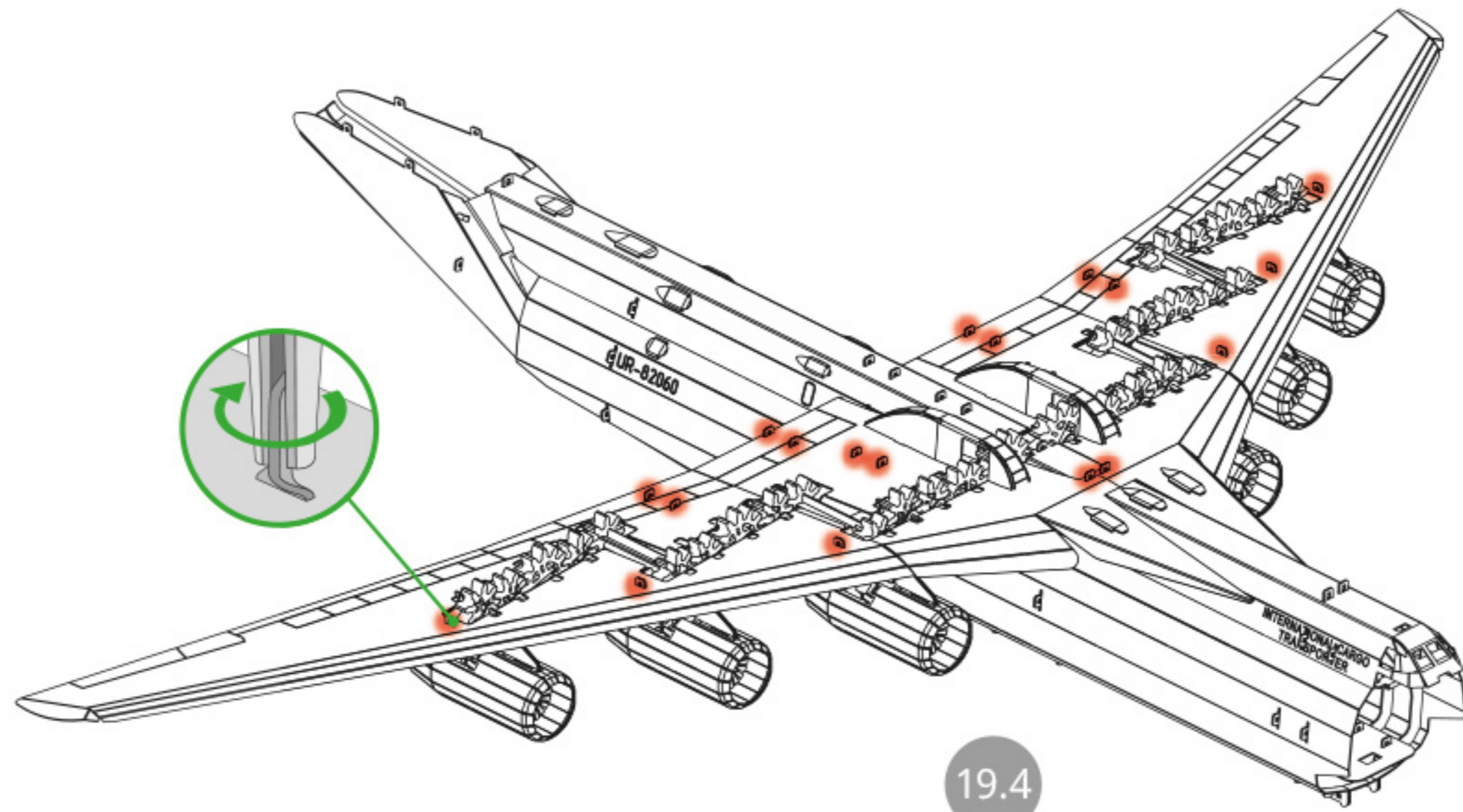


19.3

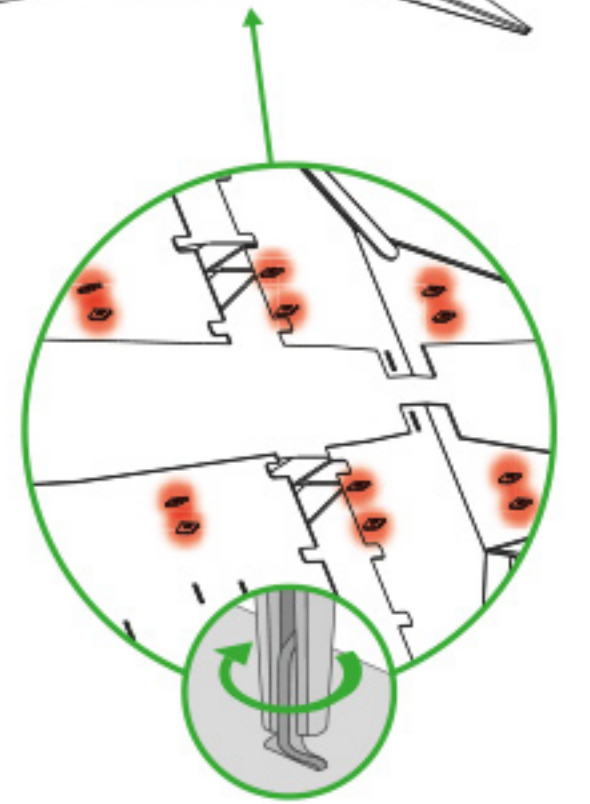


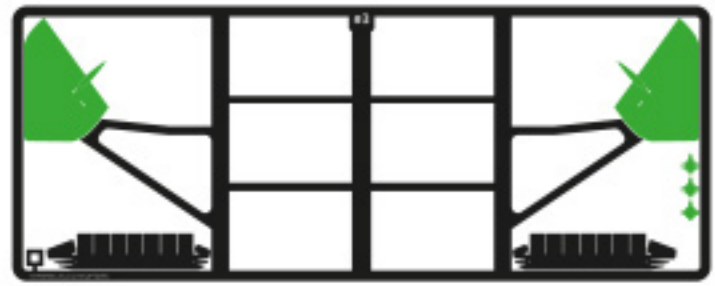
19.1

19.2

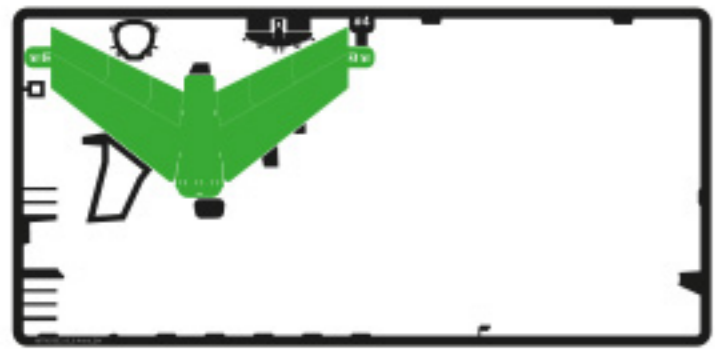


19.4

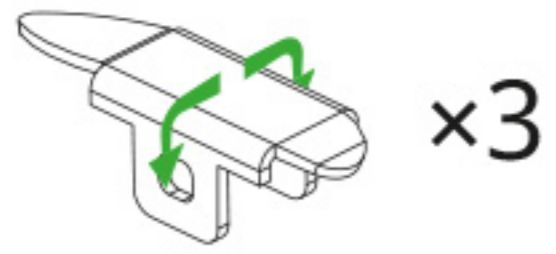




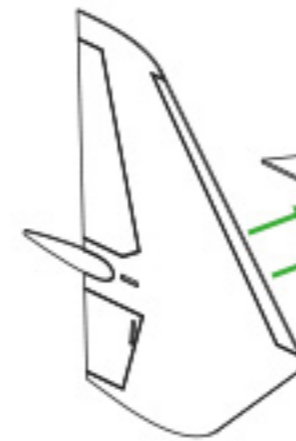
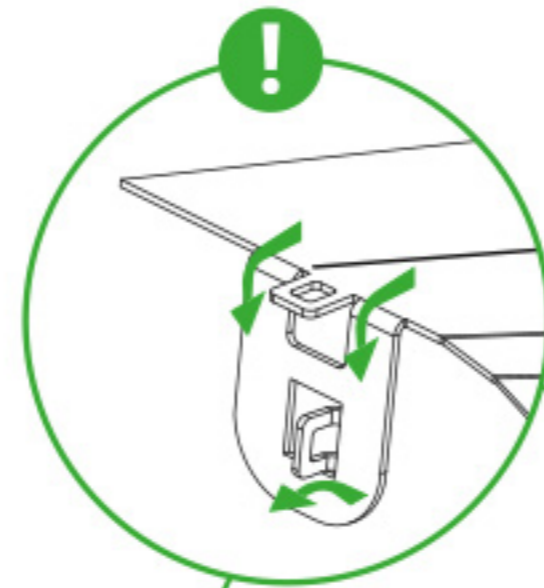
#3



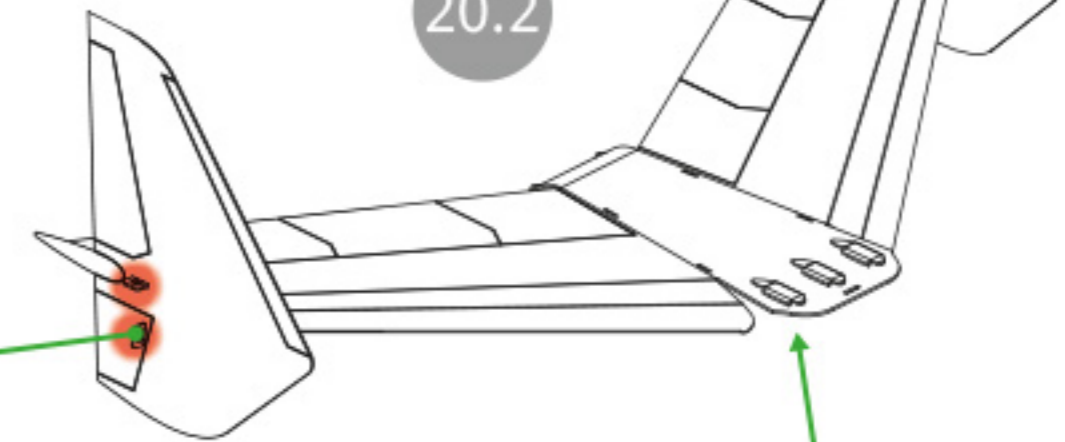
#4



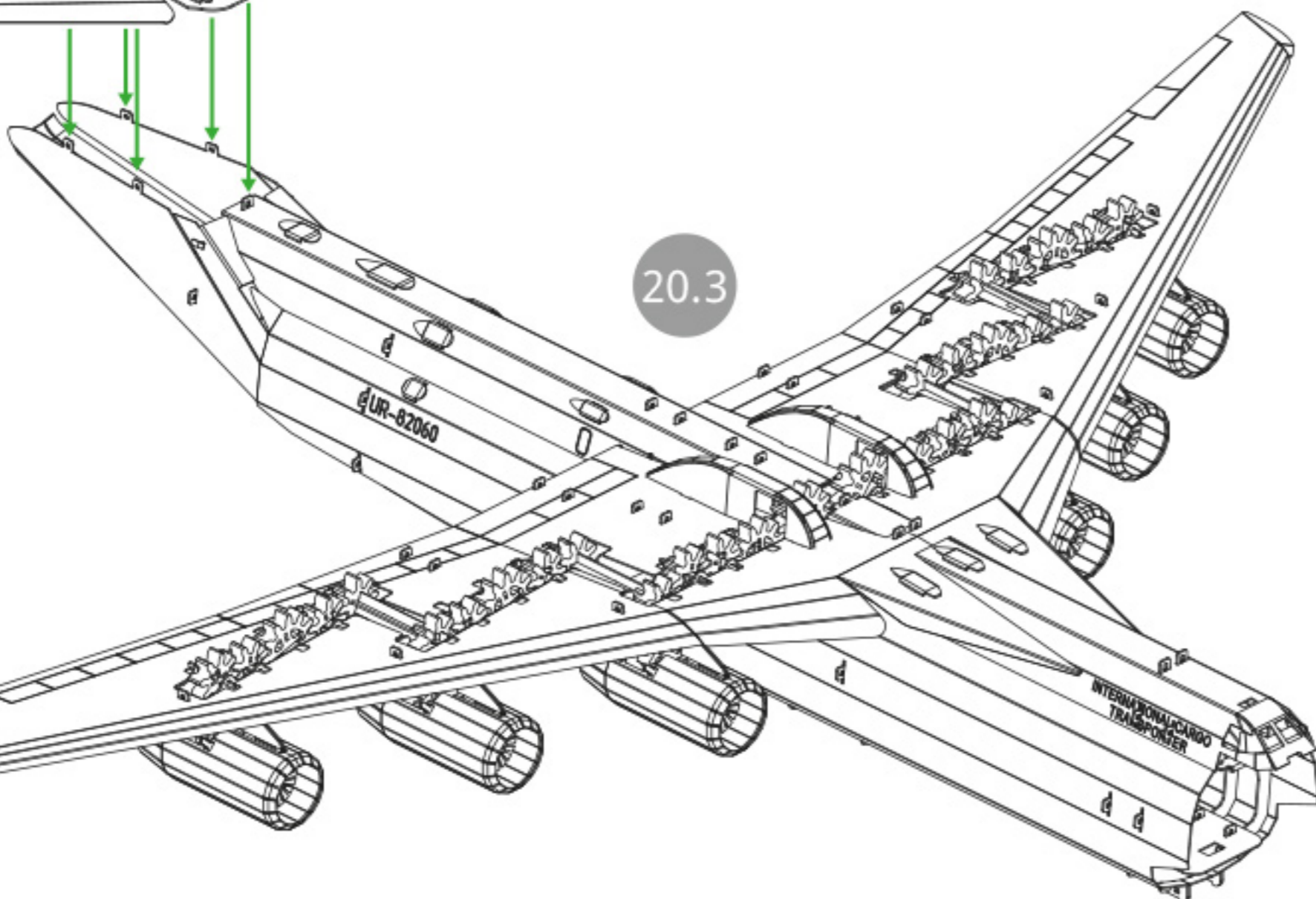
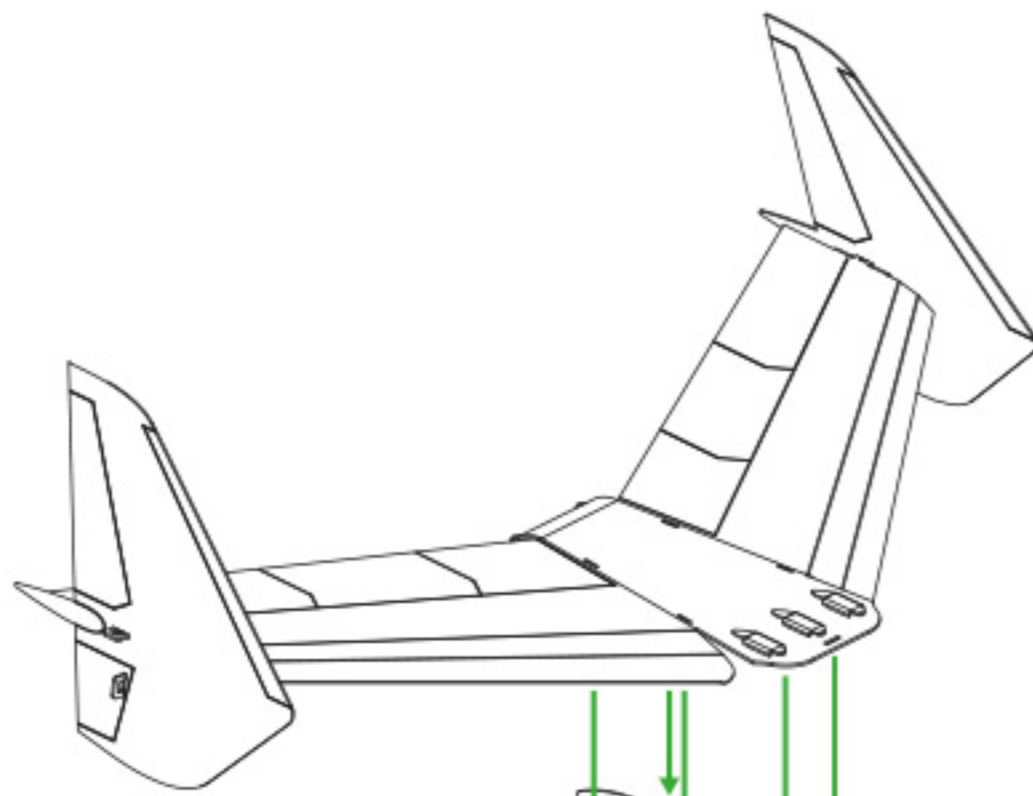
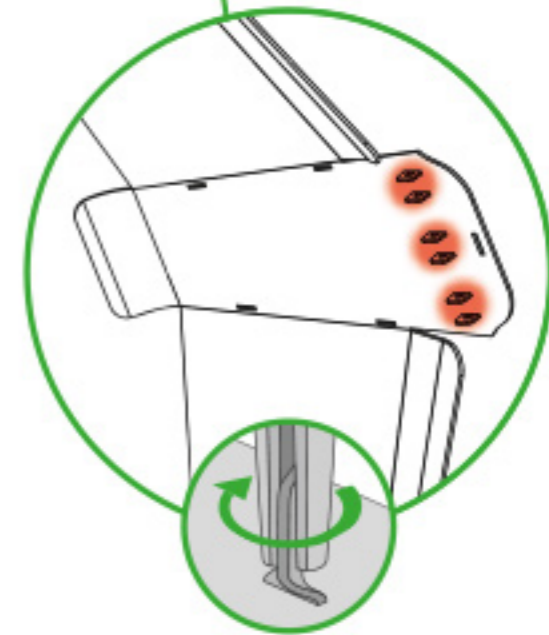
x3



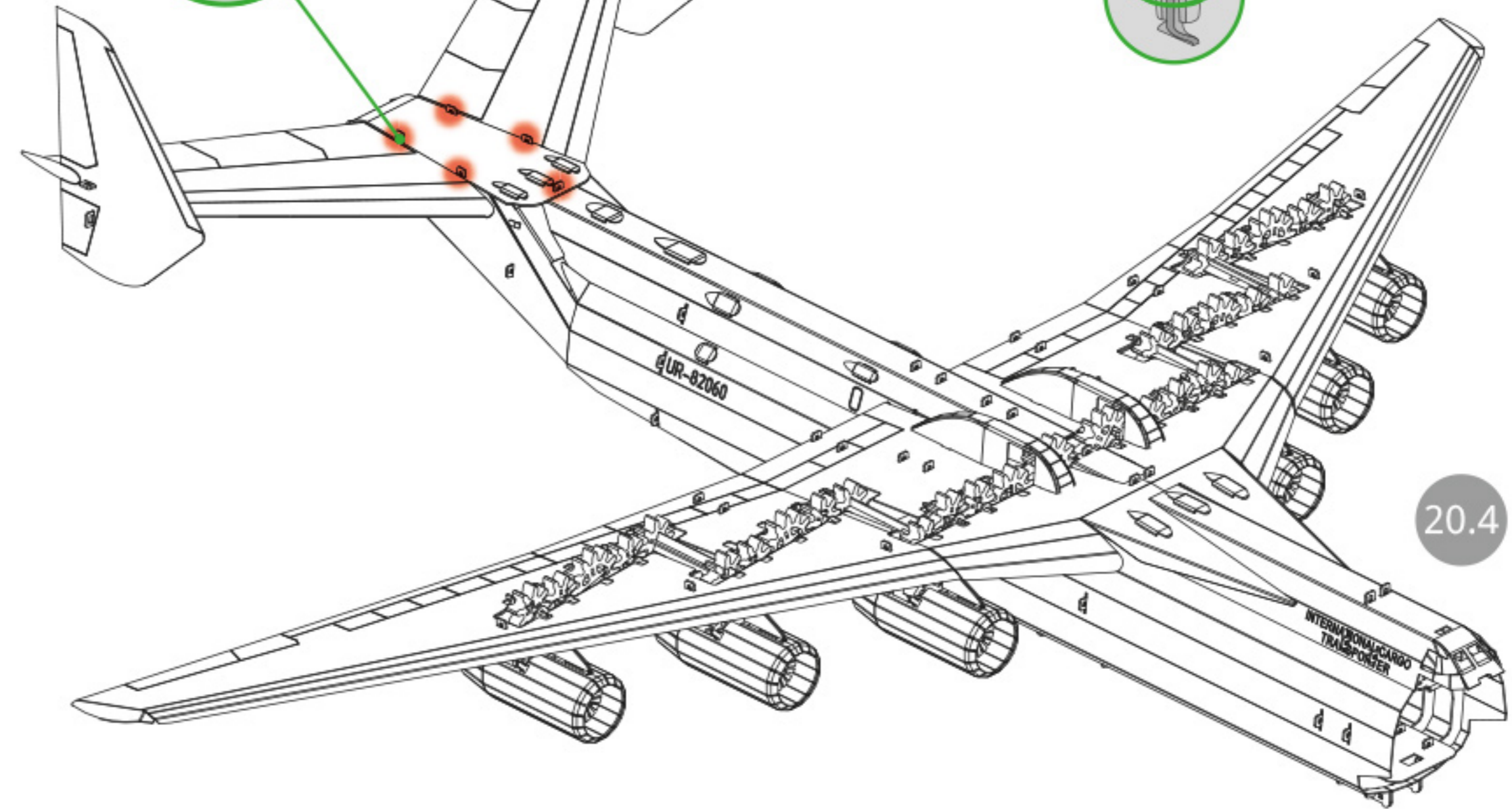
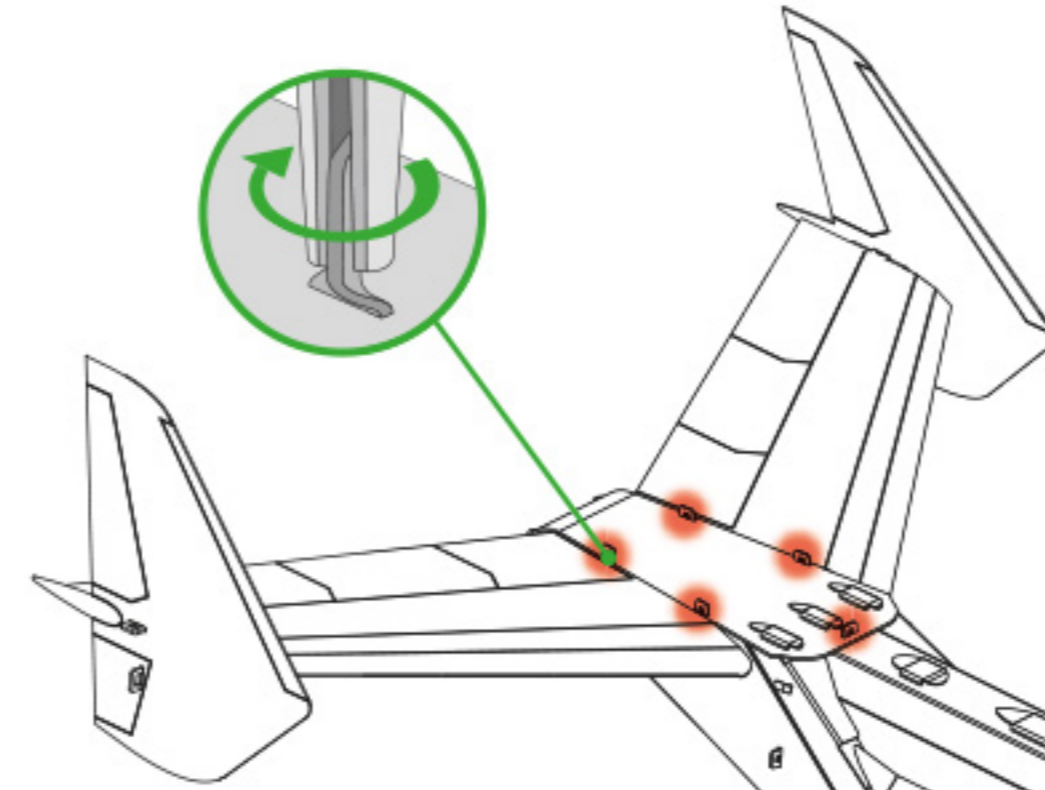
20.1



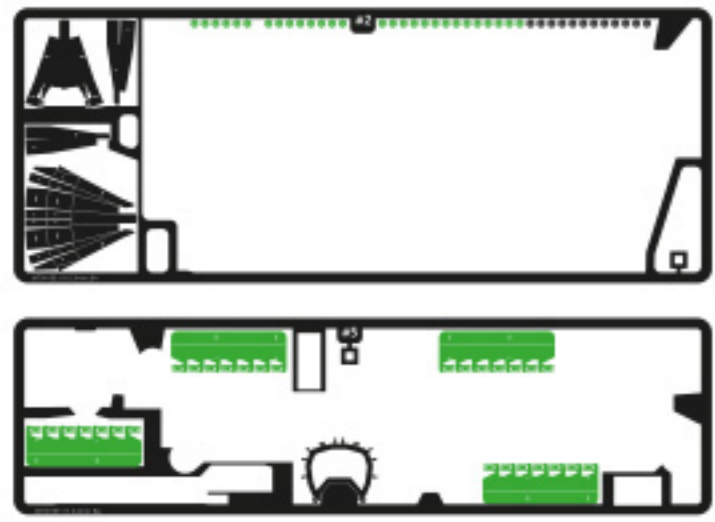
20.2



20.3



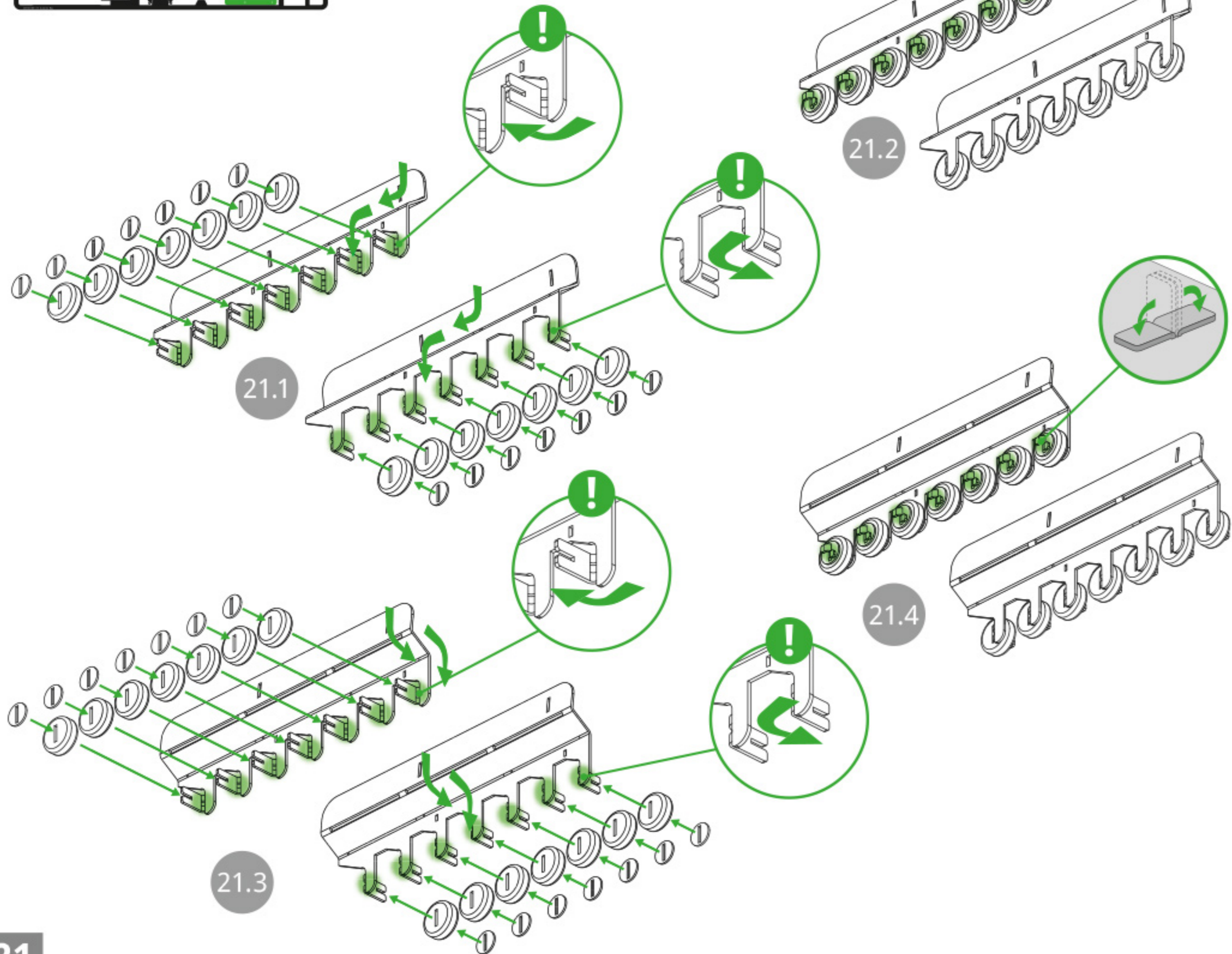
20.4



#2

#5

W1 x28



21.1

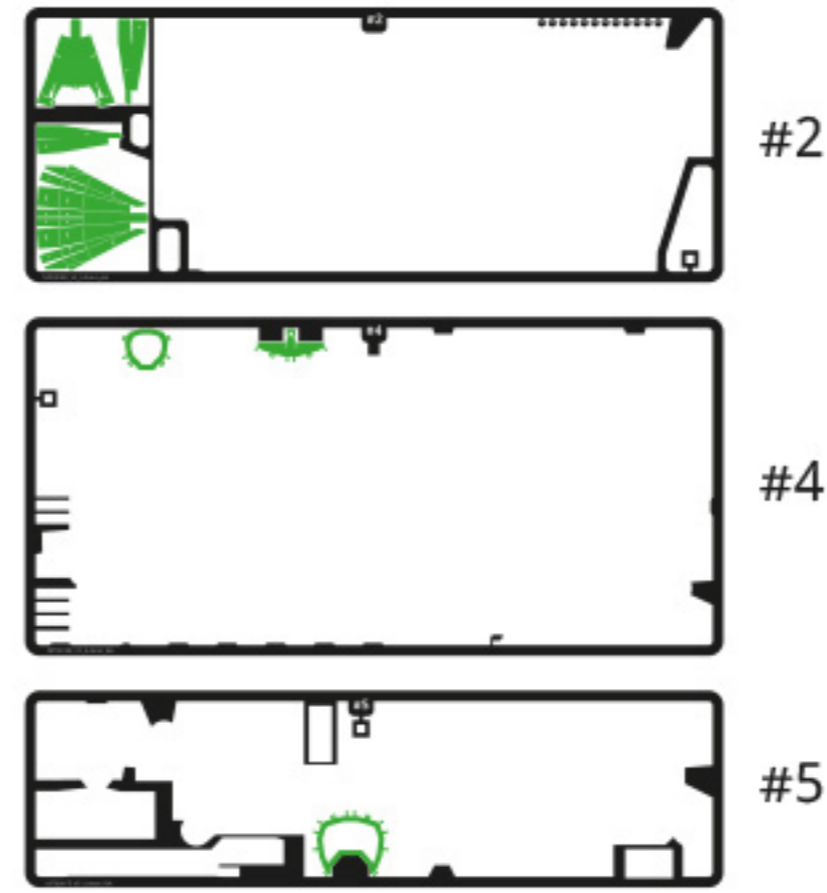
21.2

21.4

21.3

21

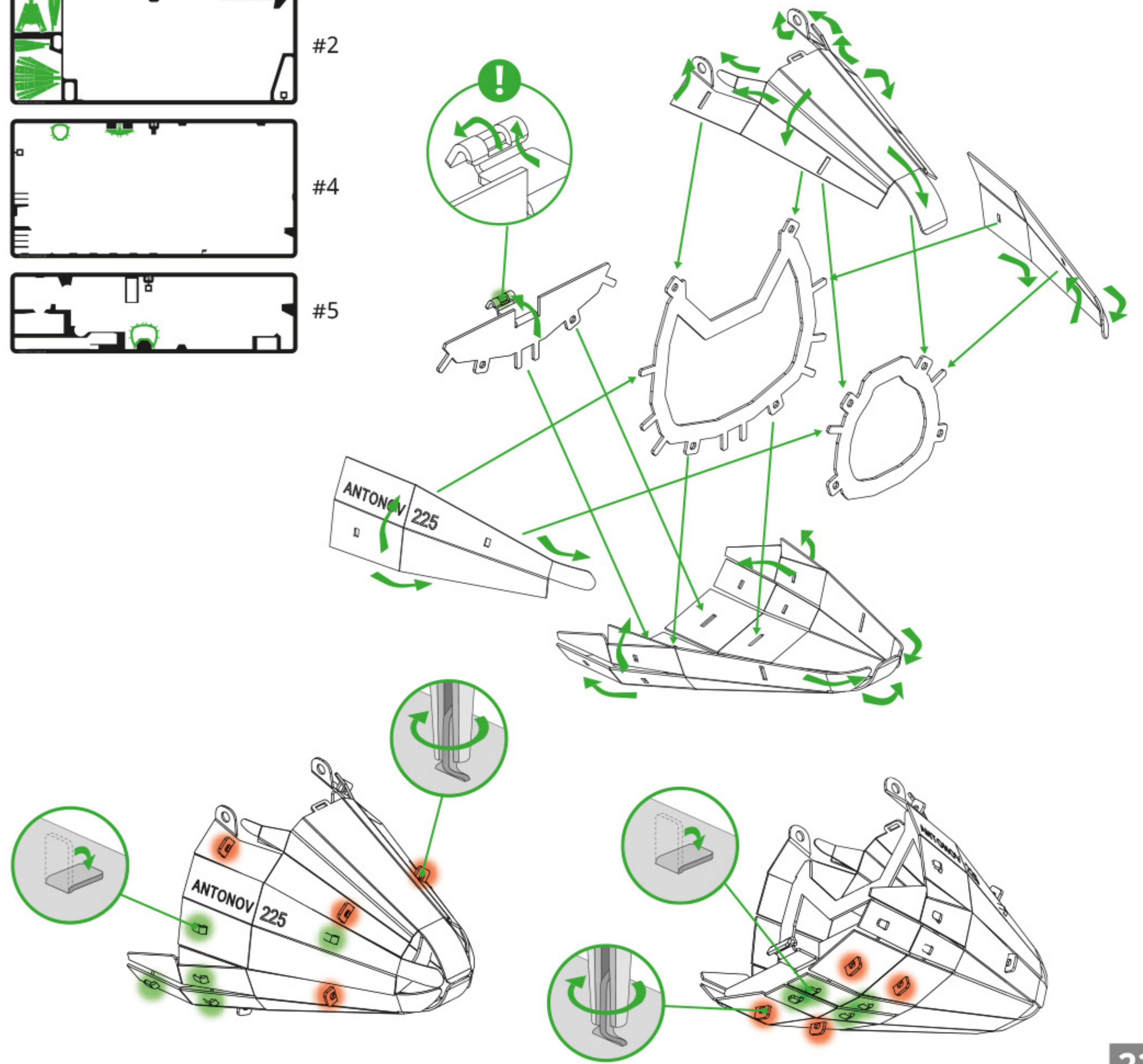
16



#2

#4

#5

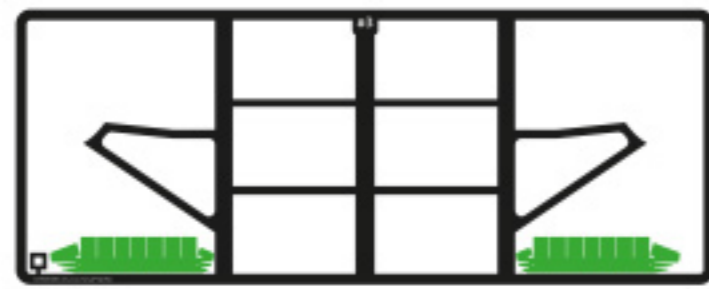


22

22



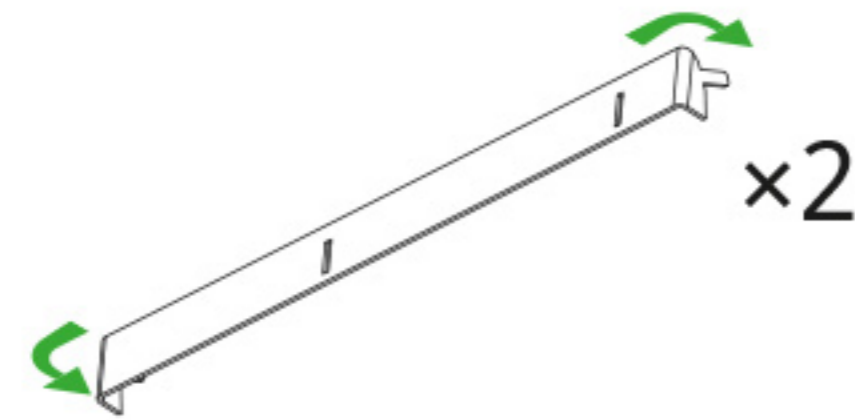
#1



#3

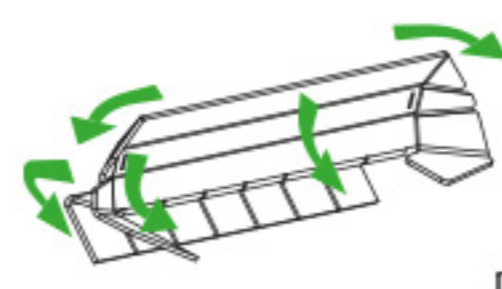
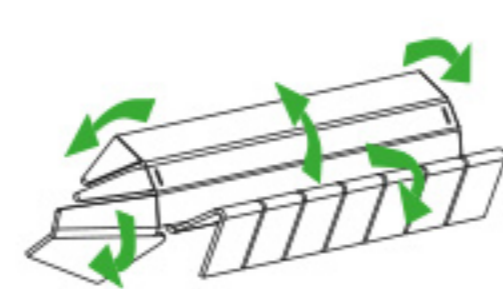


#2

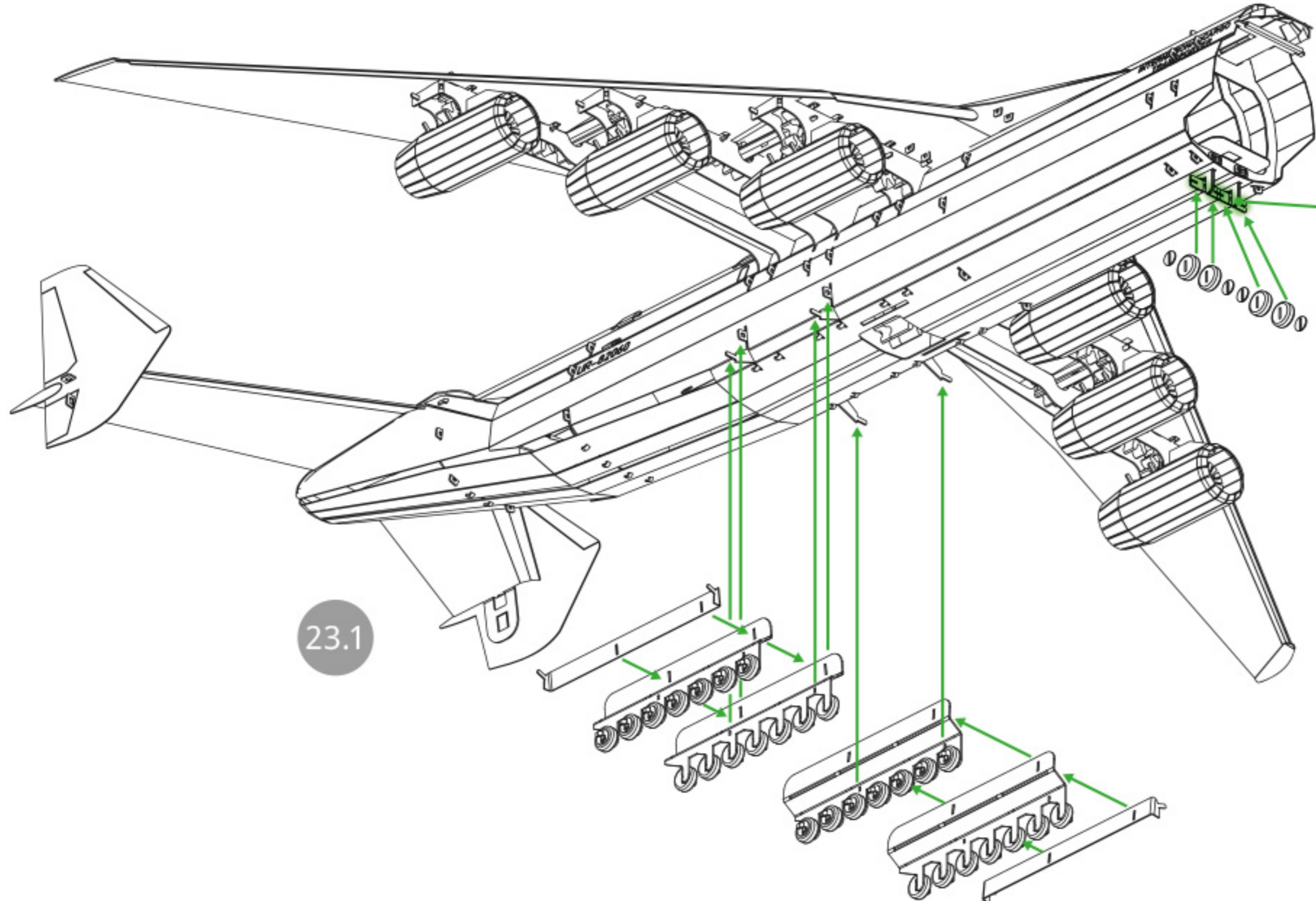
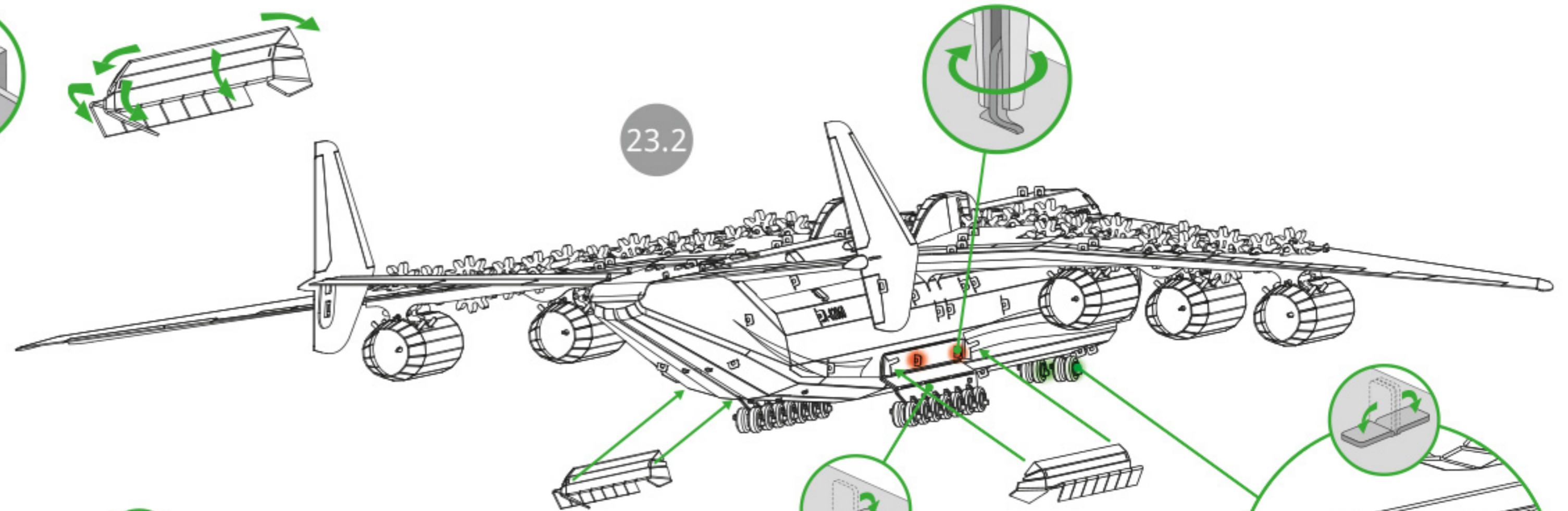


x2

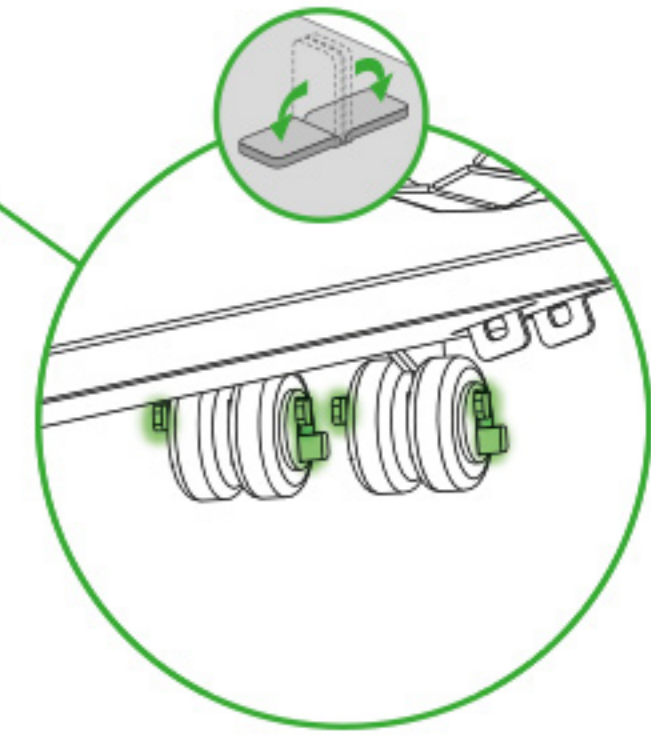
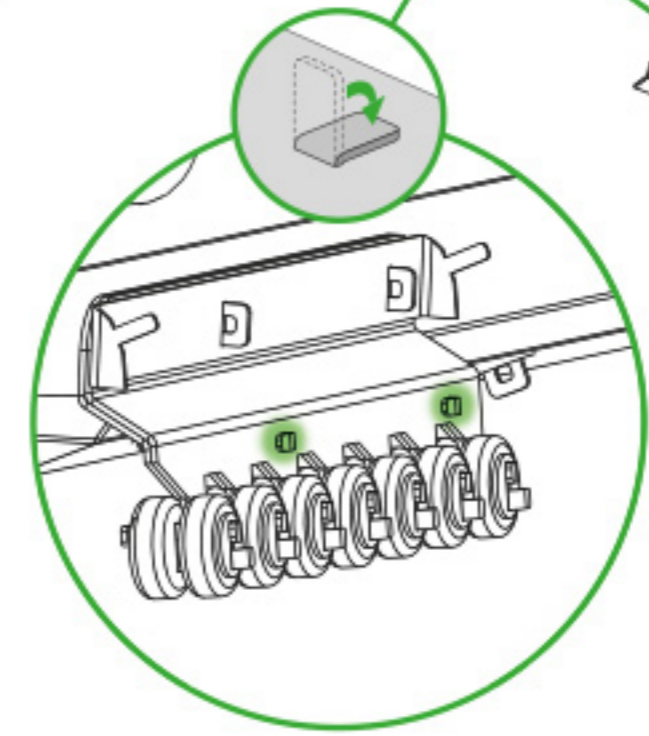
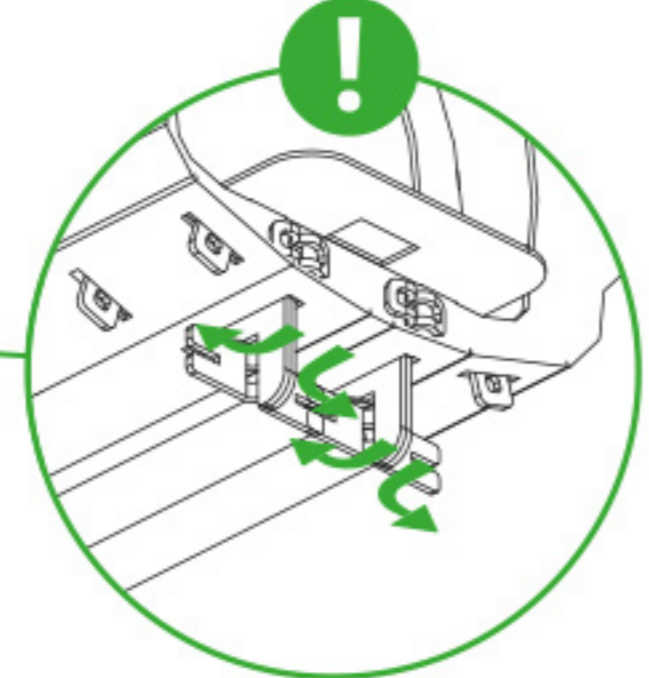
W1 x4



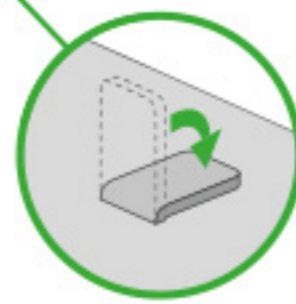
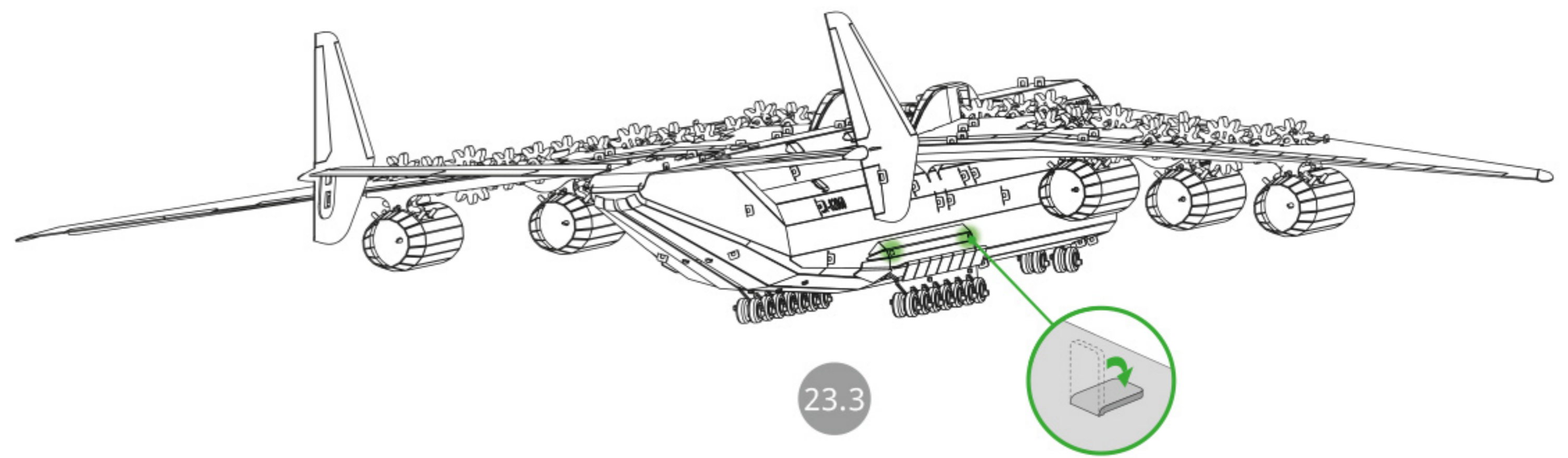
23.2

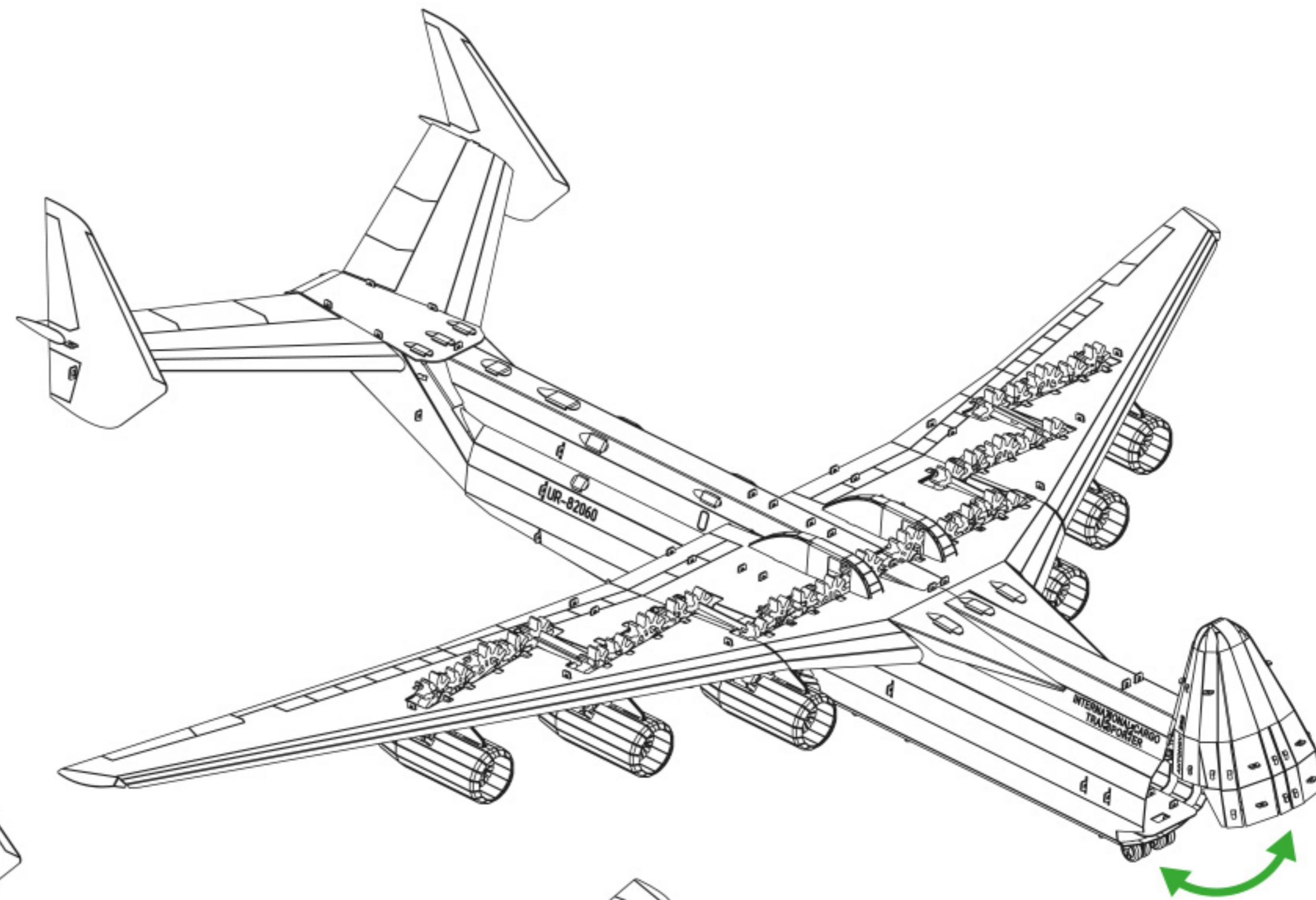
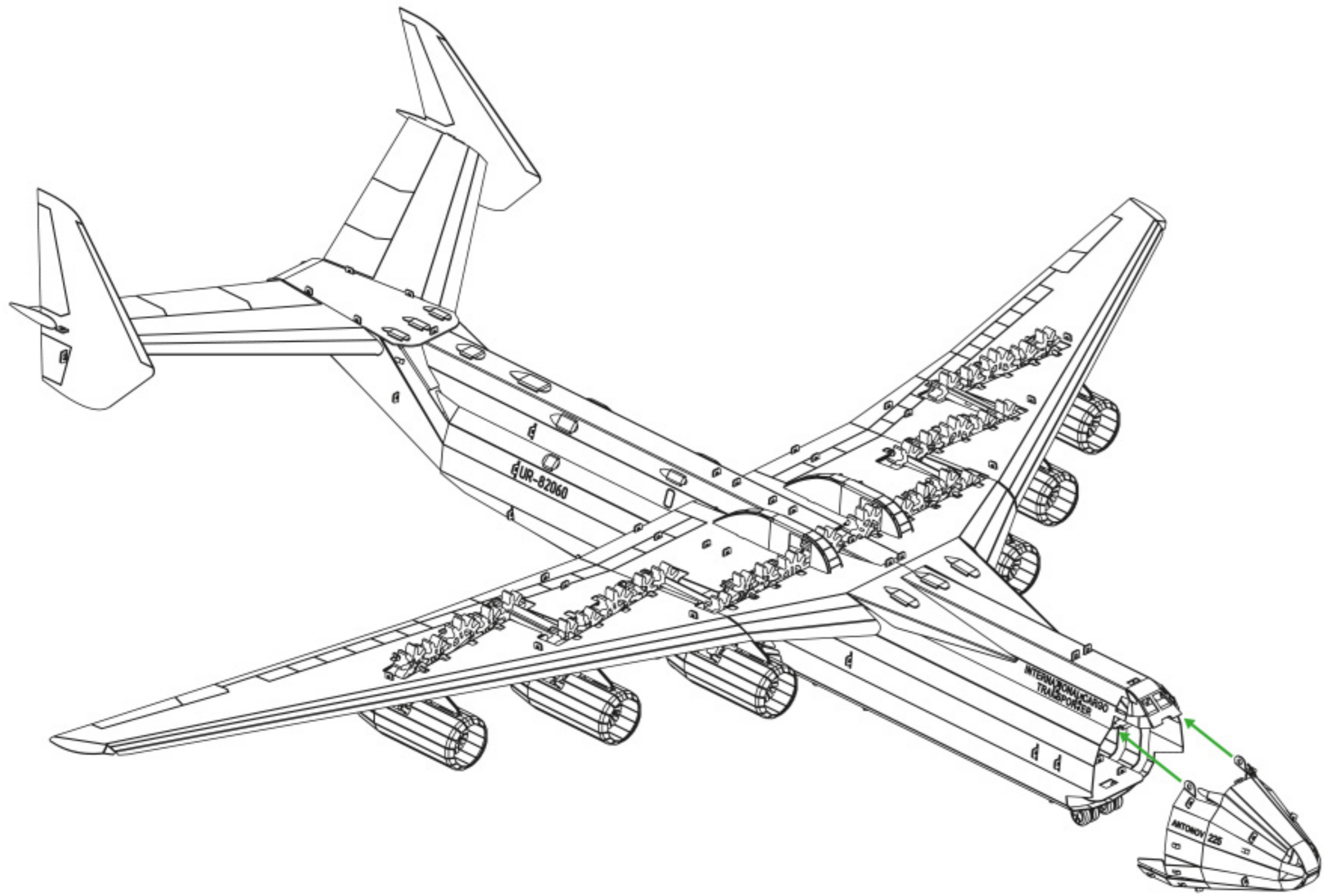


23.1

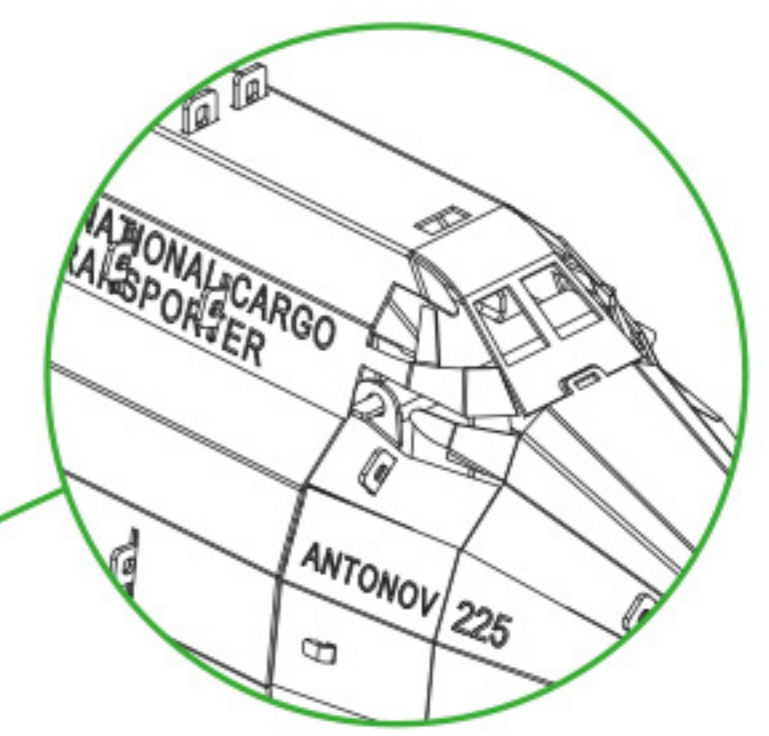
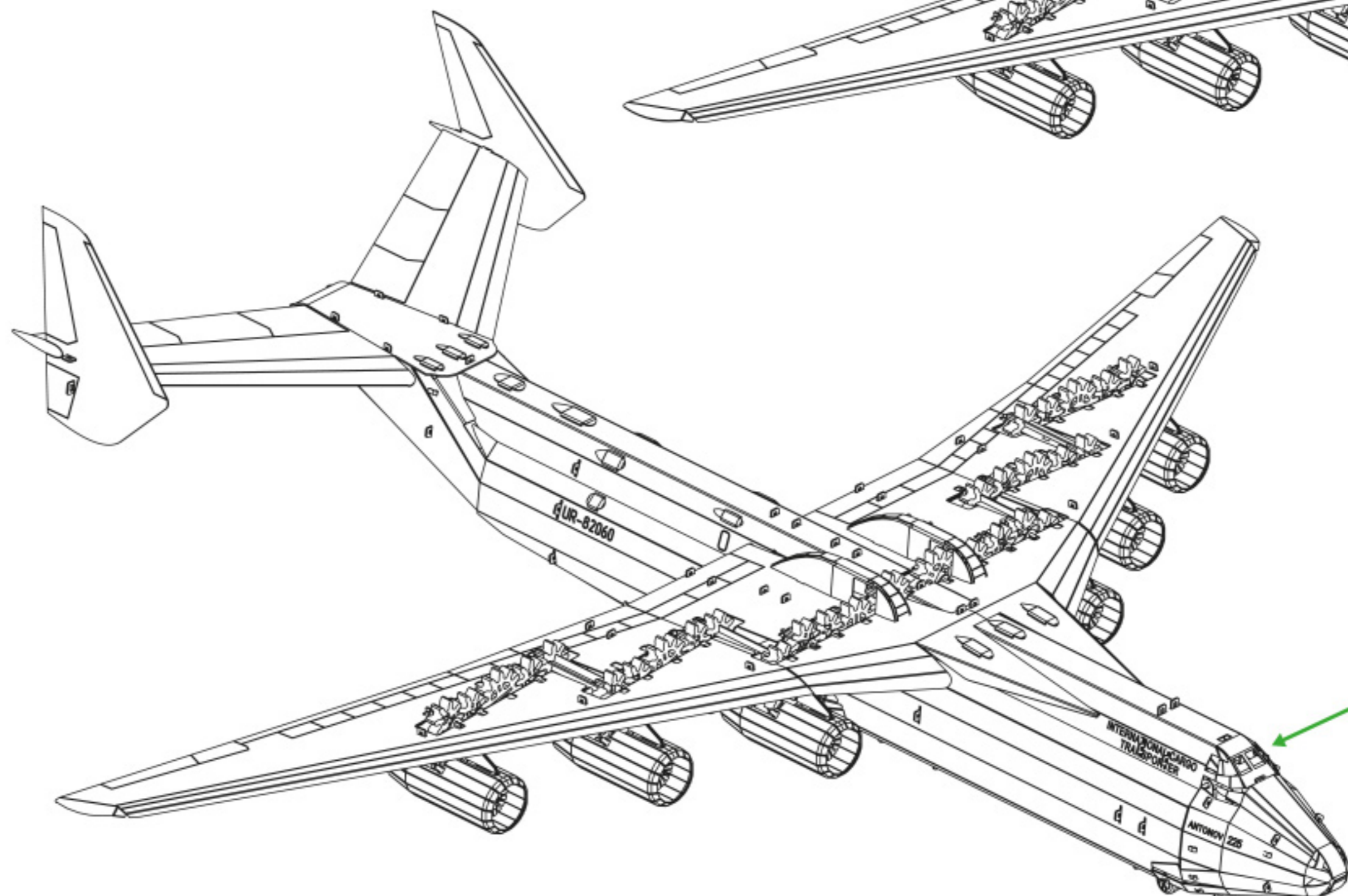


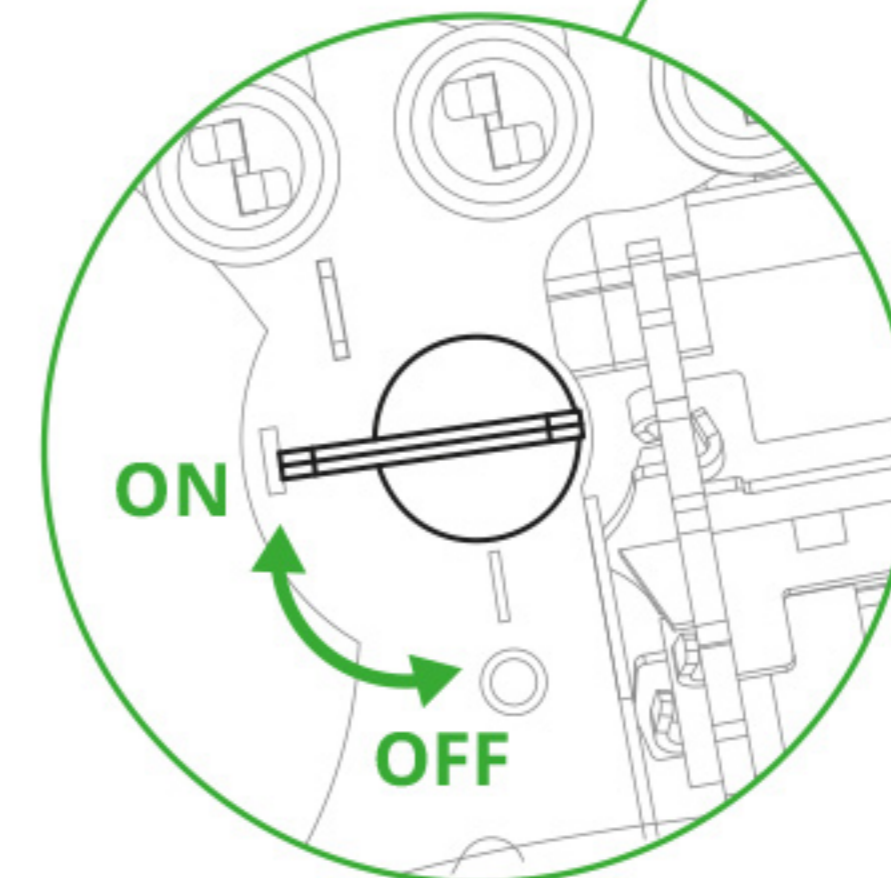
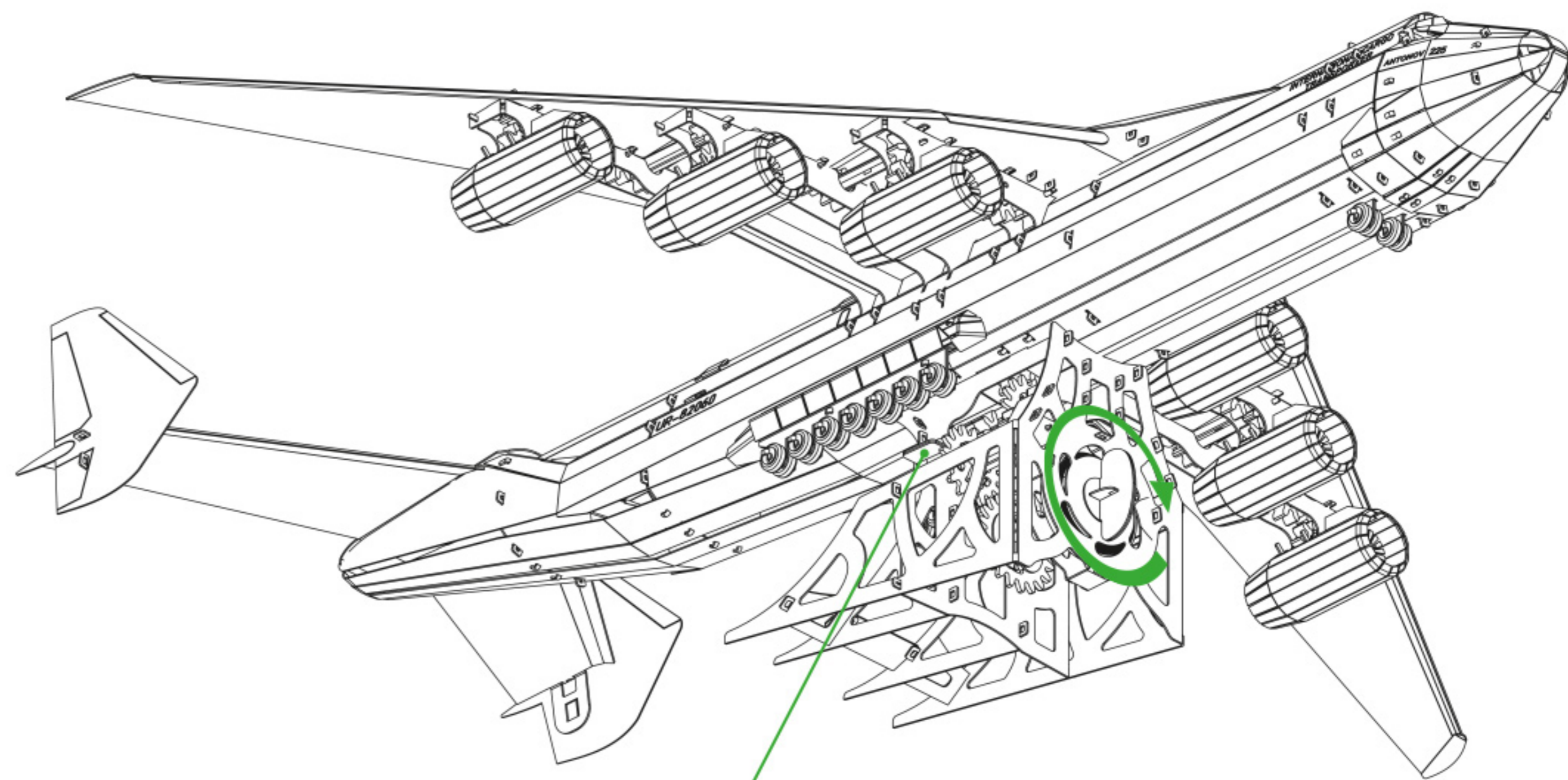
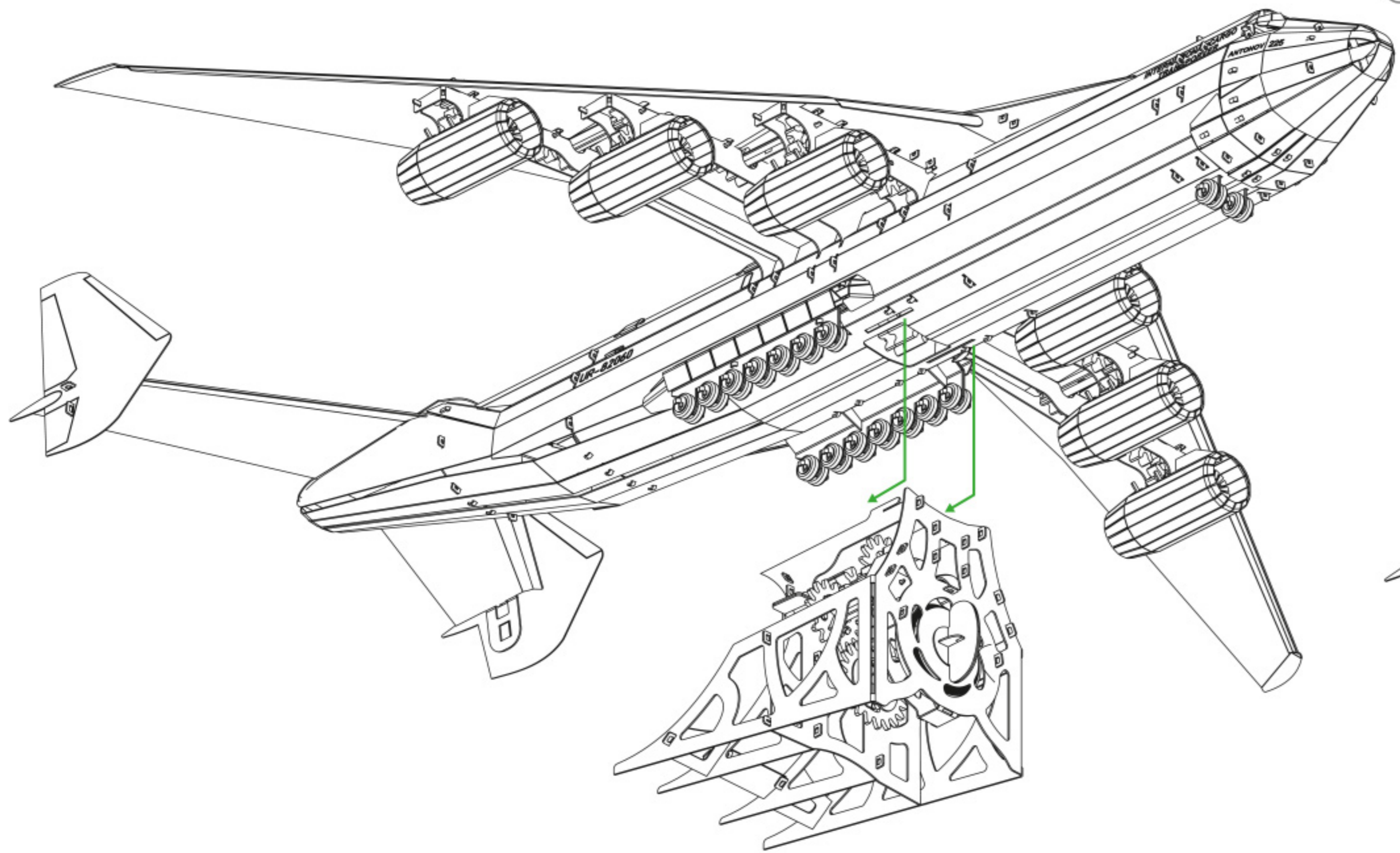
23.3





Open / Close





To run the model:

1. Turn the switch to the OFF position.
2. Start the spring by turning the key clockwise.
3. Turn the switch to the ON position.



Model name:

UKRAINIAN DREAM



The Antonov An-225 Mriya was a strategic airlift cargo aircraft designed and produced by the Antonov Design Bureau. With a maximum takeoff weight of 640 tonnes (705 short tons), the An-225 held several records, including heaviest aircraft ever built and largest wingspan of any aircraft in operational service.

Designed in Ukraine

Made in China

Product number: SKU001EE

Product material: Stainless steel

Number of metal sheets: 7 pcs

Finish product size: L12" × W4.88" × H11.89" (L38,1cm × W39,8cm × H11,5cm)

⚠ WARNING!

The product contains small and/or sharp parts. Not suitable for children under 3 years of age. Cut/remove the band that keeps the spring in place ONLY WITHIN the spring chamber/container. DO NOT cut the restraining band outside the assembled spring chamber, as the spring will unwind with force.

In order to avoid possible injury from sharp edges, please carefully discard the metal sheet after parts have been removed. This product is not a toy. Keep out of reach of children.

Conforms to CPSIA and CE standards. The product complies with the requirements of EN 71-1,2,3; ASTM F963, REACH, AS/NZS 8124, GB 6675



No expiration date

MODEL
BUILDING
KIT

@hobbadd.cn

霍布德



Collect the Best

Includes: steel sheets, gears, power spring, chassis wheels, pliers, file, gloves, polishing cloth, user's guide, certificate, stamp.

ALL RIGHTS RESERVED
© Metal-Time Inc., USA

www.metal-time.com
info@metal-time.com