



Verkada Accessories

Camera Mounts

Table of Contents

- 2 Camera Mounts Overview
- 3 Mount / Camera Compatibility Matrix
- 4 Mount / Mount Compatibility Matrix
- 5 Mount Accessories
- 6 ACC-MNT-1 | Pendant Cap Mount
- 7 ACC-MNT-2 | Arm Mount
- 8 ACC-MNT-3 | L-Bracket Mount
- 9 ACC-MNT-4 | Pole Mount
- 10 ACC-MNT-5 | Mini Pendant Cap Mount
- 11 ACC-MNT-6 | Mini Junction Box Mount
- 12 ACC-MNT-7 | Angle Mount
- 13 ACC-MNT-8 | Pendant Cap Mount
- 14 ACC-MNT-9 | Pole Mount, 2nd Generation
- 15 ACC-MNT-10 | Corner Mount



Verkada Mounts

Out of the box, each Verkada camera is able to be surface-mounted or attached to a variety of different junction box sizes. If there's a need or preference to use a specific mount, Verkada offers a full line of mounts.

Camera Mounts Overview



ACC-MNT-1
Pendant Cap
Compatible with
Cameras:
Dome Series, Fisheye Camera,
D30, D50, D80, CF81-E
Mounts:
ACC-MNT-2



ACC-MNT-6
Mini Junction Box Mount
Compatible with
Cameras:
Mini Series, D40



ACC-MNT-2
Arm Mount
Compatible with
Mounts:
ACC-MNT-1, ACC-MNT-4,
ACC-MNT-5, ACC-MNT-8,
ACC-MNT-9, ACC-MNT-10



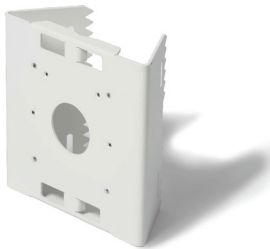
ACC-MNT-7
Angle Mount
Compatible with
Cameras & Sensors:
Dome Series, Fisheye Camera,
D30, D50, D80, SV11
Mounts:
ACC-MNT-4, ACC-MNT-9,
ACC-MNT-10



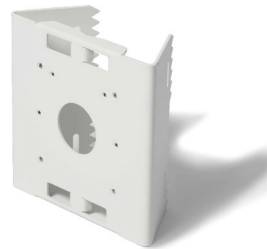
ACC-MNT-3
L-Bracket Mount
Compatible with
Cameras:
Dome Series, Fisheye Camera,
D30, D50
Mounts:
ACC-MNT-4, ACC-MNT-9,
ACC-MNT-10



ACC-MNT-8
Pendant Cap Mount (Gen 2)
Compatible with
Cameras & Sensors:
Dome Series, Fisheye Camera,
Multisensor Camera, D30, D50,
D80, SV11, SV20 Series
Mounts:
ACC-MNT-2



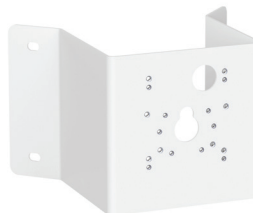
ACC-MNT-4
Pole Mount
Compatible with
Mounts:
ACC-MNT-2, ACC-MNT-3,
ACC-MNT-7



ACC-MNT-9
Pole Mount (Gen 2)
Compatible with
Cameras:
Bullet Series
Mounts:
ACC-MNT-2, ACC-MNT-3,
ACC-MNT-7



ACC-MNT-5
Mini Pendant Cap Mount
Compatible with
Cameras:
Mini Series, D40
Mounts:
ACC-MNT-2



ACC-MNT-10
Corner Mount
Compatible with
Cameras & Sensors:
Dome Series, Bullet Series, SV11
Mounts:
ACC-MNT-2, ACC-MNT-3,
ACC-MNT-7



Mount / Camera Compatibility Matrix

Which mounts work with which **current camera models**

Mounts	Dome Series (CD42/52/62)	Fisheye Camera (CF81)	Mini Series (CM41,CM61)	Bullet Series (CB51,CB61)	Multisensor Camera (CH52-E)
ACC-MNT-1 Pendant Cap		✓			
ACC-MNT-2 Arm Mount	Cameras require additional mount to attach to ACC-MNT-2				
ACC-MNT-3 L-Bracket Mount	✓	✓			
ACC-MNT-4 Pole Mount	Cameras require additional mount to attach to ACC-MNT-4w				
ACC-MNT-5 Mini Pendant Cap Mount			✓		
ACC-MNT-6 Mini Junction Box Mount			✓		
ACC-MNT-7 Angle Mount	✓	✓			
ACC-MNT-8 Pendant Cap Mount (Gen 2)	✓	✓			✓
ACC-MNT-9 Pole Mount (Gen 2)				✓	
ACC-MNT-10 Corner Mount	✓			✓	



Mount / Camera Compatibility Matrix

Which mounts work with which **legacy camera models**

Mounts	Dome Series (CD31/52/61)	Legacy Dome (D30/D50)	Legacy Fisheye (D80)	Legacy Mini (D40)
ACC-MNT-1 Pendant Cap		✓	✓	
ACC-MNT-2 Arm Mount	Cameras require additional mount to attach to ACC-MNT-2			
ACC-MNT-3 L-Bracket Mount	✓	✓		
ACC-MNT-4 Pole Mount	Cameras require additional mount to attach to ACC-MNT-4			
ACC-MNT-5 Mini Pendant Cap Mount				✓
ACC-MNT-6 Mini Junction Box Mount				✓
ACC-MNT-7 Angle Mount	✓	✓	✓	
ACC-MNT-8 Pendant Cap Mount (Gen 2)	✓	✓	✓	
ACC-MNT-9 Pole Mount (Gen 2)				
ACC-MNT-10 Corner Mount	✓			



Mount / Camera Compatibility Matrix

Mounts that can attach to other mounts

Mount key

1
ACC-MNT-1
Pendant Cap

2
ACC-MNT-2
Arm Mount

3
ACC-MNT-3
L-Bracket Mount

4
ACC-MNT-4
Pole Mount

5
ACC-MNT-5
Mini Pendant Cap Mount

6
ACC-MNT-6
Mini Junction Box Mount

7
ACC-MNT-7
Angle Mount

8
ACC-MNT-8
Pendant Cap Mount (Gen 2)

9
ACC-MNT-9
Pole Mount (Gen 2)

10
ACC-MNT-10
Corner Mount

	1	2	3	4	5	6	7	8	9	10
1		✓								
2	✓			✓	✓			✓	✓	✓
3				✓					✓	✓
4		✓	✓				✓			
5		✓								
6	Not compatible with other mounts.									
7				✓					✓	✓
8		✓								
9		✓	✓				✓			
10		✓	✓				✓			



ACC-MNT-1

Pendant Cap Mounting Adapter Kit

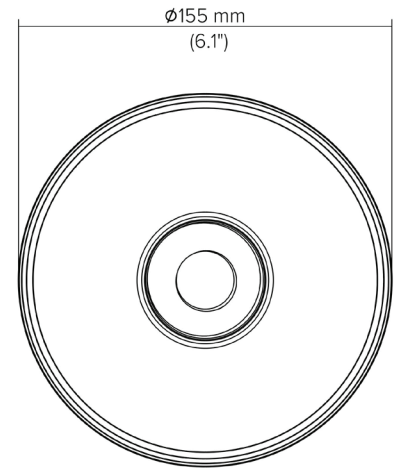
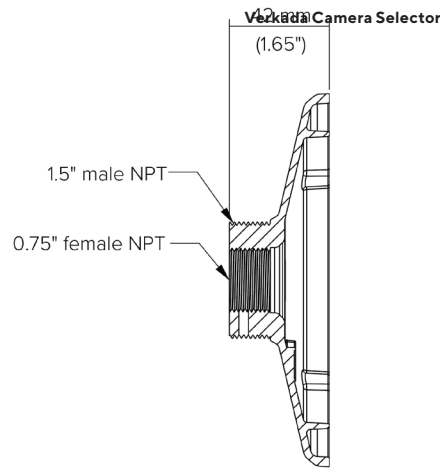
Threaded cap features built-in 3/4" female NPT and 1.5" male NPT threads.

Attaches to rear of Verkada cameras.

Compatible with

Cameras: Dome Series, Fisheye Camera, D30, D50, D80

Mounts: ACC-MNT-2



Tech Specs

Model	ACC-MNT-1	Weight	320g (0.71 lbs)
Material	Aluminum Alloy	Box Dimensions	174x163x55 mm (6.9x6.4x2.2")
Dimensions	Ø155x42 mm (Ø6.1x1.7")	Box Weight	388g (0.86 lbs)
Color	White		

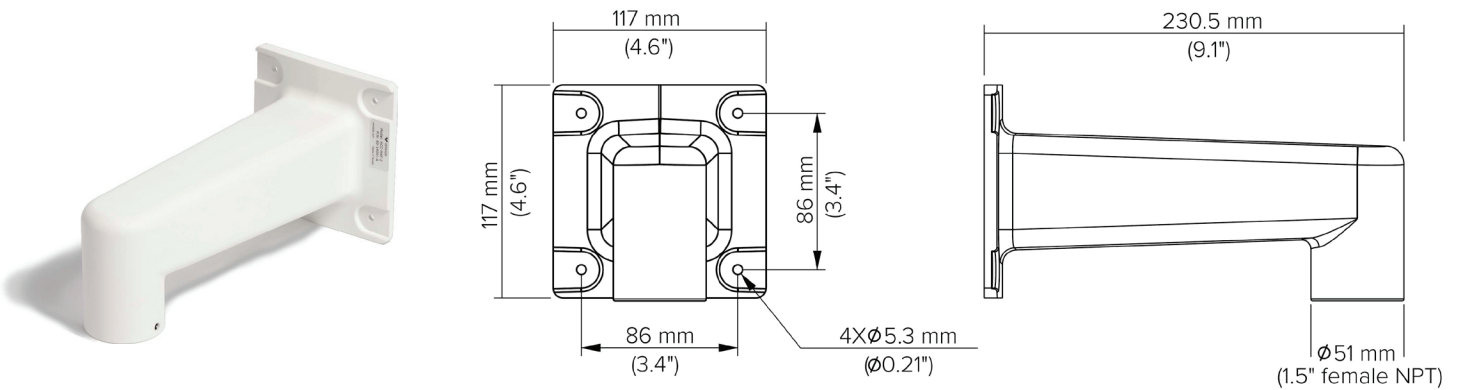


ACC-MNT-2 Mounting Arm Kit

Wall mounted extender arm with built in 1.5" female NPT thread.

Compatible with

Mounts: ACC-MNT-1, ACC-MNT-4, ACC-MNT-5, ACC-MNT-8, ACC-MNT-9, ACC-MNT-10, SV20 Series Sensors



Tech Specs

Model	ACC-MNT-2	Weight	700g (1.54 lbs)
Material	Aluminum Alloy	Box Dimensions	270x175x134mm (10.6x6.9x5.3")
Dimensions	231x117x117mm (9.1x4.6x4.6")	Box Weight	964g (2.13 lbs)
Color	White		



ACC-MNT-3

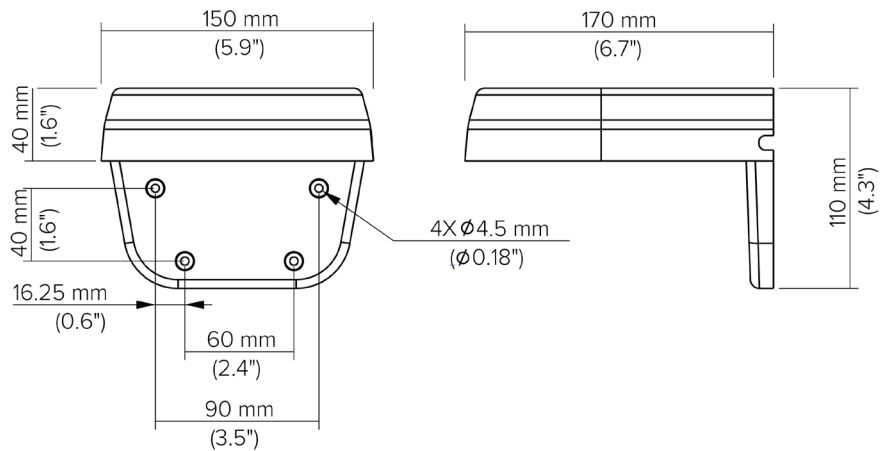
Wall Mounted L-Shaped Bracket Kit

Compact bracket for mounting camera perpendicular to wall.

Compatible with

Cameras & Sensors: Dome Series, D30, D50, SV11

Mounts: ACC-MNT-4, ACC-MNT-9, ACC-MNT-10



Tech Specs

Model	ACC-MNT-3	Weight	577g (1.27 lbs)
Material	Aluminum Alloy	Box Dimensions	125x160x388mm (4.9x6.3x15.3")
Dimensions	170x150x110mm (6.7x5.9x4.3")	Box Weight	709g (1.56 lbs)
Color	White		

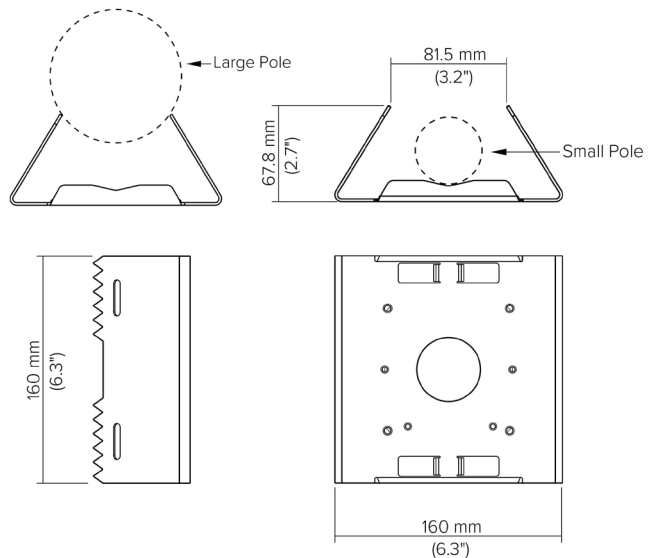
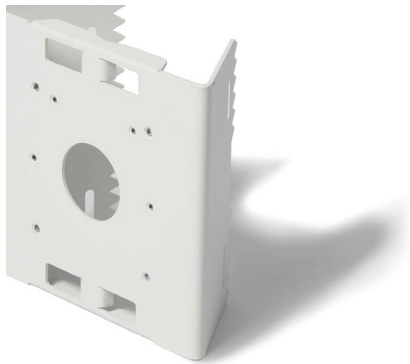


ACC-MNT-4 Pole Mount Adapter Kit

For mounting camera to a circular pole. Suitable for poles up to 152.4mm (6") in diameter.
Minimum pole diameter of 1.25" (32mm).

Compatible with

Mounts: ACC-MNT-2, ACC-MNT-3, ACC-MNT-7



Tech Specs

Model	ACC-MNT-4	Weight	742g (1.64 lbs)
Material	Steel	Box Dimensions	194x135x269mm (7.6x5.3x10.6")
Dimensions	160x160x68mm (6.3x6.3x2.7")	Box Weight	1190g (2.62 lbs)
Color	White	Box Includes	Adapter plate, Metal Straps (2 sets) Fasteners for compatible mounts



ACC-MNT-5

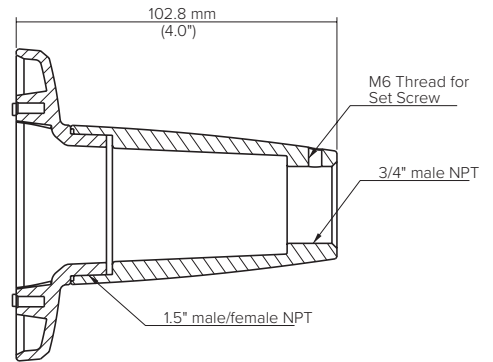
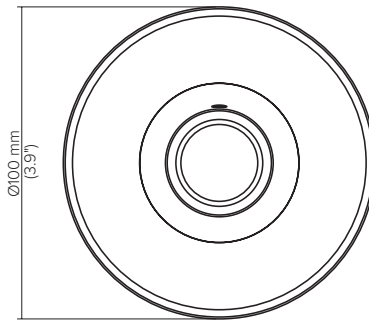
Mini Pendant Cap Mount Kit

Two-piece threaded cap for mounting a Mini camera to 3/4" NPT threaded drop pipe. Cap piece can be removed and mounted independently with its 1.5" male NPT thread.

Compatible with

Cameras: Mini Series, D40

Mounts: ACC-MNT-2



Tech Specs

Model	ACC-MNT-5	Weight	240g (8.4oz)
Material	Aluminum Alloy	Box Dimensions	864x864x940mm (34x34x37")
Dimensions	Ø100x102.8mm (Ø3.9x4.0")	Box Weight	312g (11oz)
Color	Dark Grey	Box Includes	Two threaded interlocking aluminum parts, fasteners, set screw & hex key



ACC-MNT-6

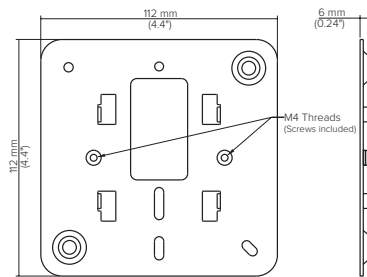
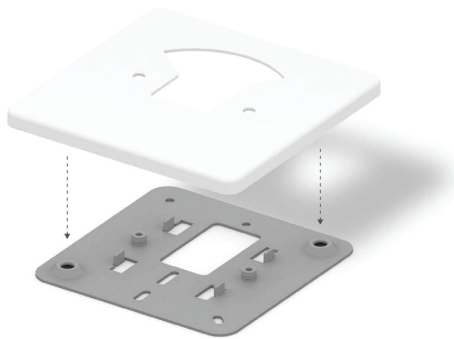
Mini Camera Junction Box Mount Adapter

For mounting a Mini camera to a standard junction box.

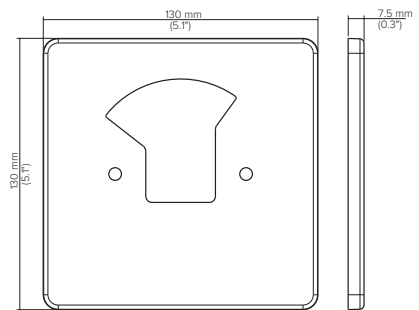
Includes a plastic cover for aesthetic appeal.

Compatible with

Cameras: Mini Series, D40



Sheet Metal Mount Plate



Plastic Cover

Tech Specs

Model	ACC-MNT-6	Weight	160g (5.6oz)
Material	Steel Mount Plate, Plastic Cover	Box Dimensions	140x140x18mm (5.5x5.5x0.7")
Dimensions	130x130x7.5mm (5.1x5.1x0.3")	Box Weight	200g (6.7oz)
Color	Grey Mount Plate, White Plastic Cover	Box Includes	Sheet metal mount plate, plastic cover, fasteners



ACC-MNT-7

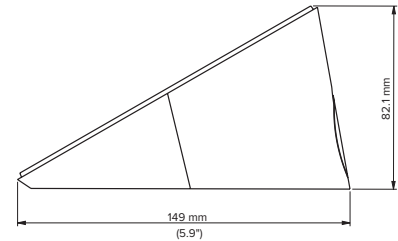
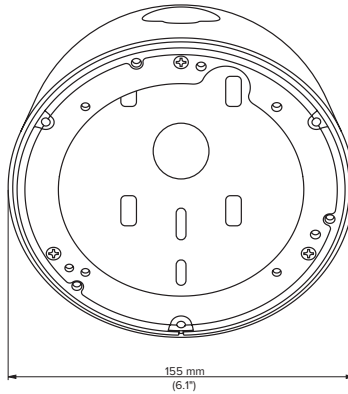
Angle Mount

Mounts fisheye and dome cameras 30 degrees from wall for improved field of view.

Compatible with

Cameras & Sensors: Dome Series, Fisheye Camera, D30, D50, D80, SV11

Mounts: ACC-MNT-4, ACC-MNT-9, ACC-MNT-10



Tech Specs

Model	ACC-MNT-7	Weight	390g (13.8oz)
Material	Aluminum Alloy	Box Dimensions	160x160x100mm (6.3x6.3x3.9")
Dimensions	155x149x82mm (6.1x5.9x3.2")	Box Weight	460g (1 lb)
Color	White	Box Includes	Metal accessory base, metal mount ring, 3 countersink screws, 3 thumbscrews, rubber plug



ACC-MNT-8

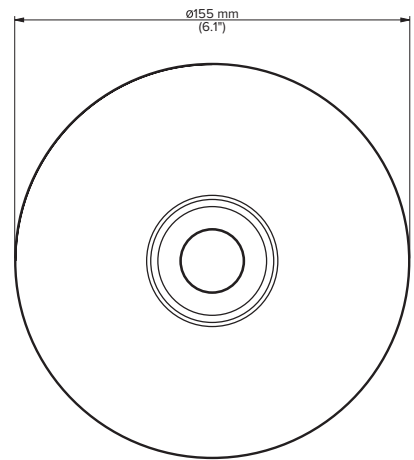
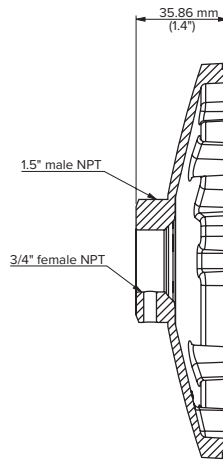
Pendant Cap Mounting Adapter Kit

Threaded cap features built in 3/4" female NPT and 1.5" male NPT threads

Compatible with

Cameras & Sensors: Dome Series, Fisheye Camera, Multisensor Camera, D30, D50, D80, SV11, SV20 Series Sensors

Mounts: ACC-MNT-2



Tech Specs

Model	ACC-MNT-8	Weight	300g (10.6oz)
Material	Aluminum Alloy	Box Dimensions	510x490x220mm (20.1x19.3x8.7")
Dimensions	Ø155x42 mm (Ø6.1x1.7")	Box Weight	350g (12.3 lbs)
Color	White	Box Includes	Mount cap, set screw, 3 thumbscrews



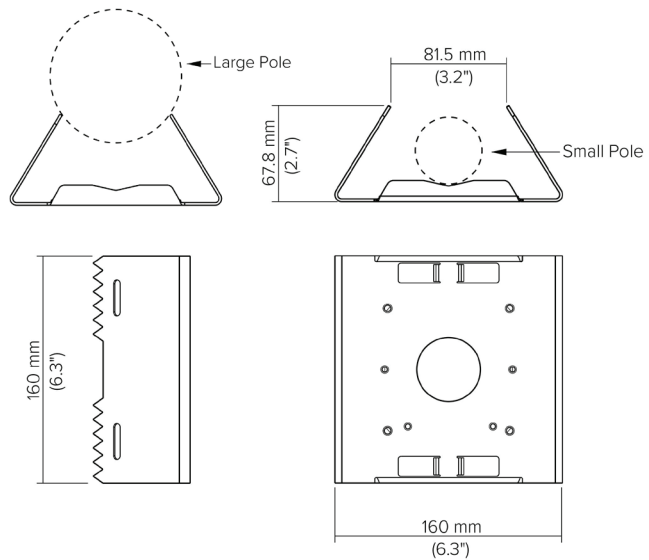
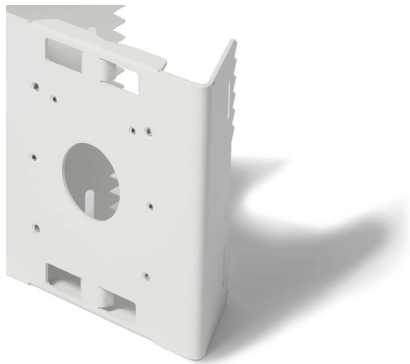
ACC-MNT-9 Pole Mount Adapter, 2nd Generation

For mounting a camera to a circular pole. Suitable for poles up to 152.4mm (6") in diameter.
Minimum pole diameter of 1.25" (32mm).

Compatible with

Cameras & Sensors: Bullet Series, SV11

Mounts: ACC-MNT-2, ACC-MNT-3, or ACC-MNT-7



Tech Specs

Model	ACC-MNT-9	Weight	742g (1.64 lbs)
Material	Steel	Box Dimensions	194x135x269mm (7.6x5.3x10.6")
Dimensions	160x160x68mm (6.3x6.3x2.7")	Box Weight	1190g (2.62 lbs)
Color	White	Box Includes	Adapter plate, Metal Straps (2 sets) Fasteners for compatible mounts



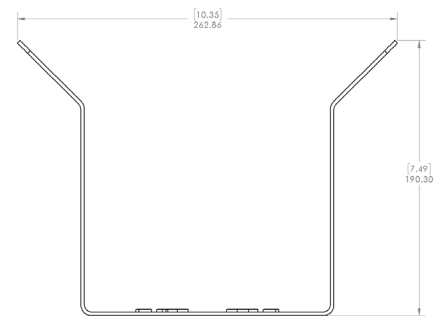
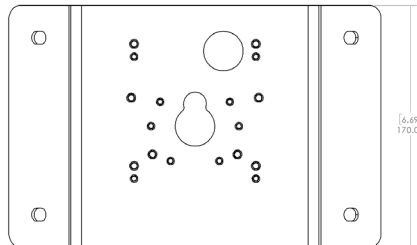
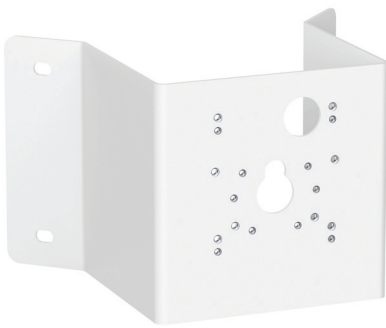
ACC-MNT-10 Corner Mount

Versatile bracket for mounting a range of accessories and cameras on corners.

Compatible with

Cameras & Sensors: Dome Series, Bullet Series, D30, D50, D80, SV11

Mounts: ACC-MNT-2, ACC-MNT-3, ACC-MNT-7



Tech Specs

Model	ACC-MNT-10	Weight	1,890g (66.67oz)
Material	Steel	Box Dimensions	267x318x203mm (10.5x12.5x8")
Dimensions	190x263x170mm (7.5x10.4x6.7")	Box Weight	2,740g (96.65oz)
Color	White		