

PRACTICALITY MEETS POWER

FAFREES

F20 X-Max



F20 X-MAX

Practicality Meets Power



750W Motor with 980W Peak

Delivers robust power for demanding situations.



Long-Lasting Battery Life

Travel up to 140km on a single charge with 1480WH battery.



Convenient Triple Folding

Easily folds for storage and transport.



Responsive Hydraulic Brakes

Ensures safety with superior stopping power.





Experience the F20 X-Max

a robust, foldable eBike for everyday use. With its efficient 750W motor and long-lasting battery, travel up to 140km with its 1440WH battery on varied terrains.

Its triple suspension ensures a smooth ride, making it perfect for both commuting and adventurous outings. The F20 X-Max combines practicality with power, ready for your daily journeys and explorations.

UNRIVALED MOTOR PERFORMANCE

The F20 X-Max features a powerful 750W motor, peaking at 980W, with 65 Nm torque for smooth, dynamic rides. Perfect for performance-seekers needing reliability.





ENERGIZED FOR THE LONG HAUL

The F20 X-Max's 48V 30Ah(1440WH) battery, featuring Samsung 21700 cells, offers up to 140km of uninterrupted travel. extendable to 200km with pedal-assist, ideal for long-lasting adventures. Recharged quickly with the fast charger, this bike is built for those who want their journey to last as long as their adventure.

fafreesebike

FLEXIBILITY ON THE FLY



MAIN FRAME FOLD



HANDLEBAR FOLD



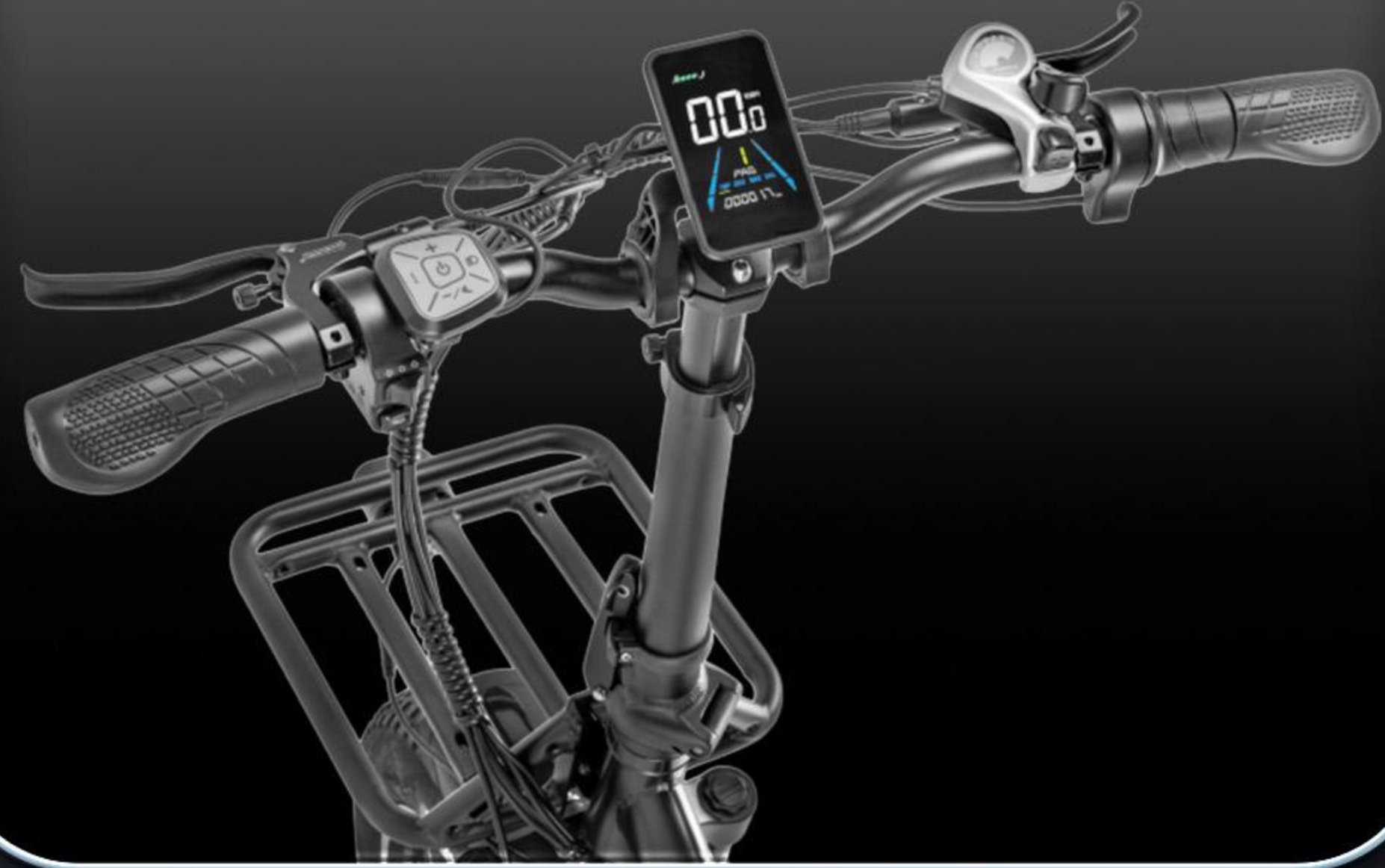
PEDAL FOLD



FOLDING STORAGE

The F20 X-Max redefines commuting with its foldable design. Its handlebar, frame, and pedals fold neatly, making it a breeze to store in tight spaces or carry on public transport. This eBike is designed for the modern commuter who values convenience and adaptability in their daily travel.

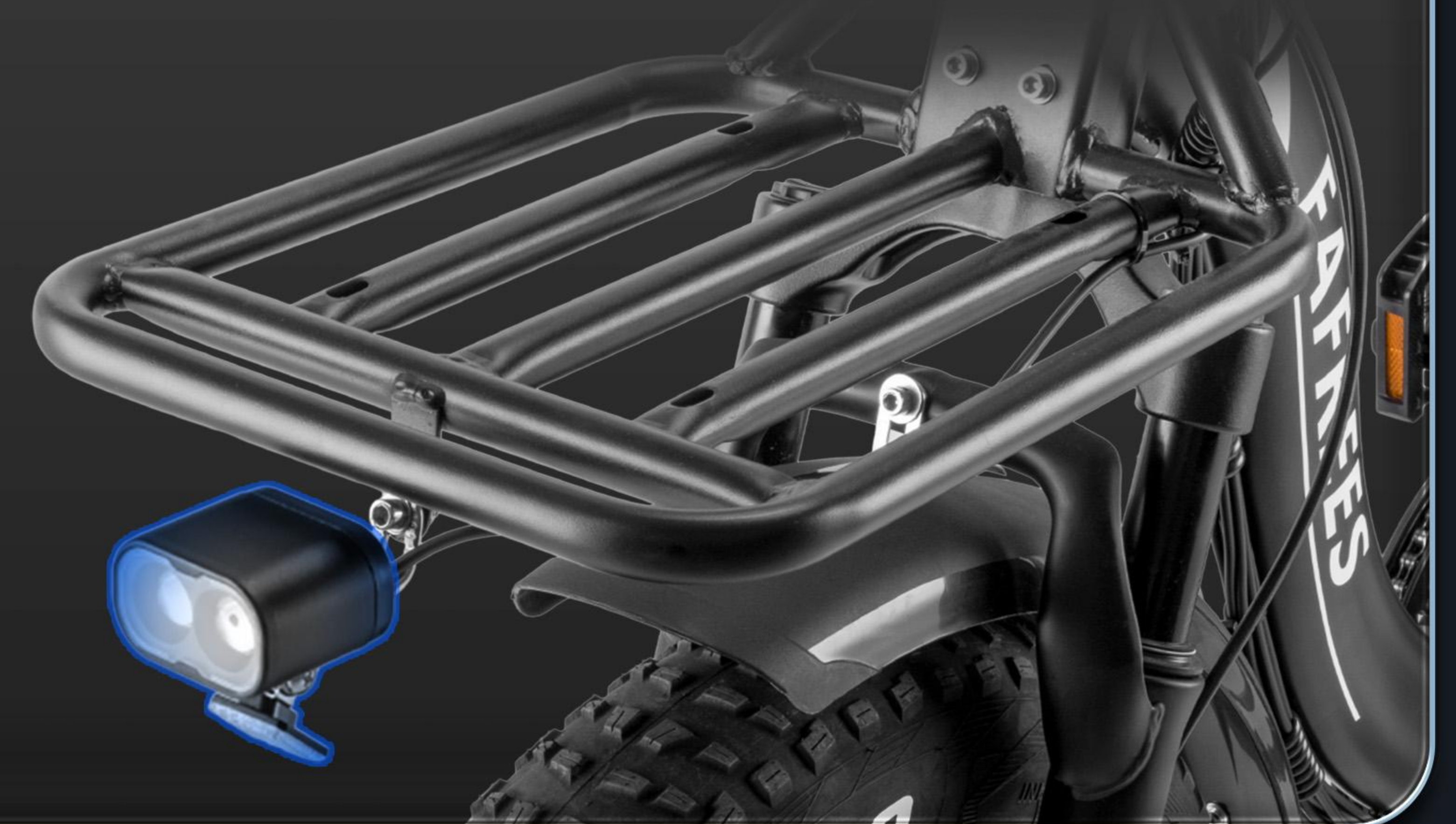
Quick Silk Grip Power



RFSS float over bumps



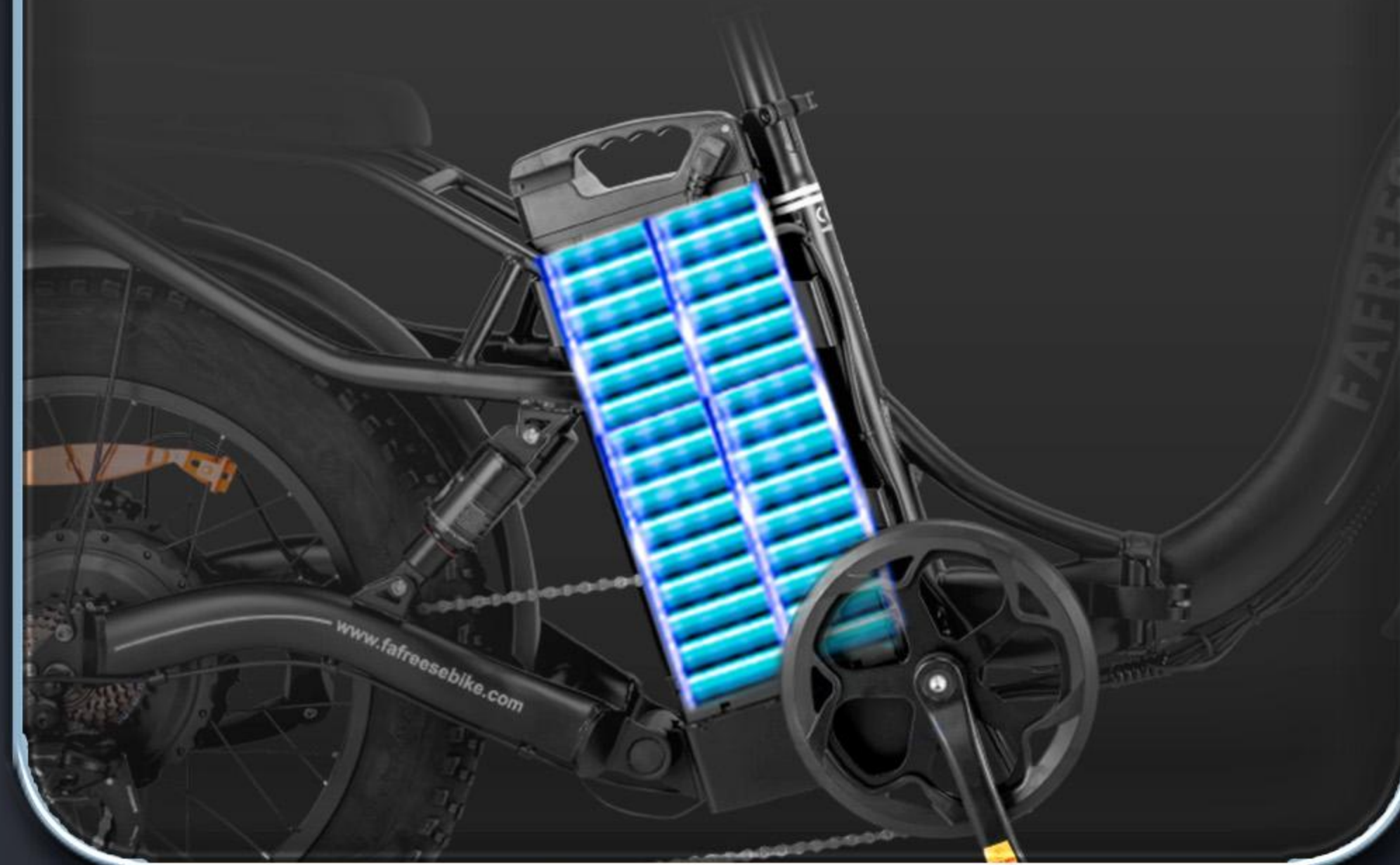
Enhanced visibility with turn signals for max safety



20x4 FAT for ATC



OptPerf EE&RA



Practical front and rear racks for storage



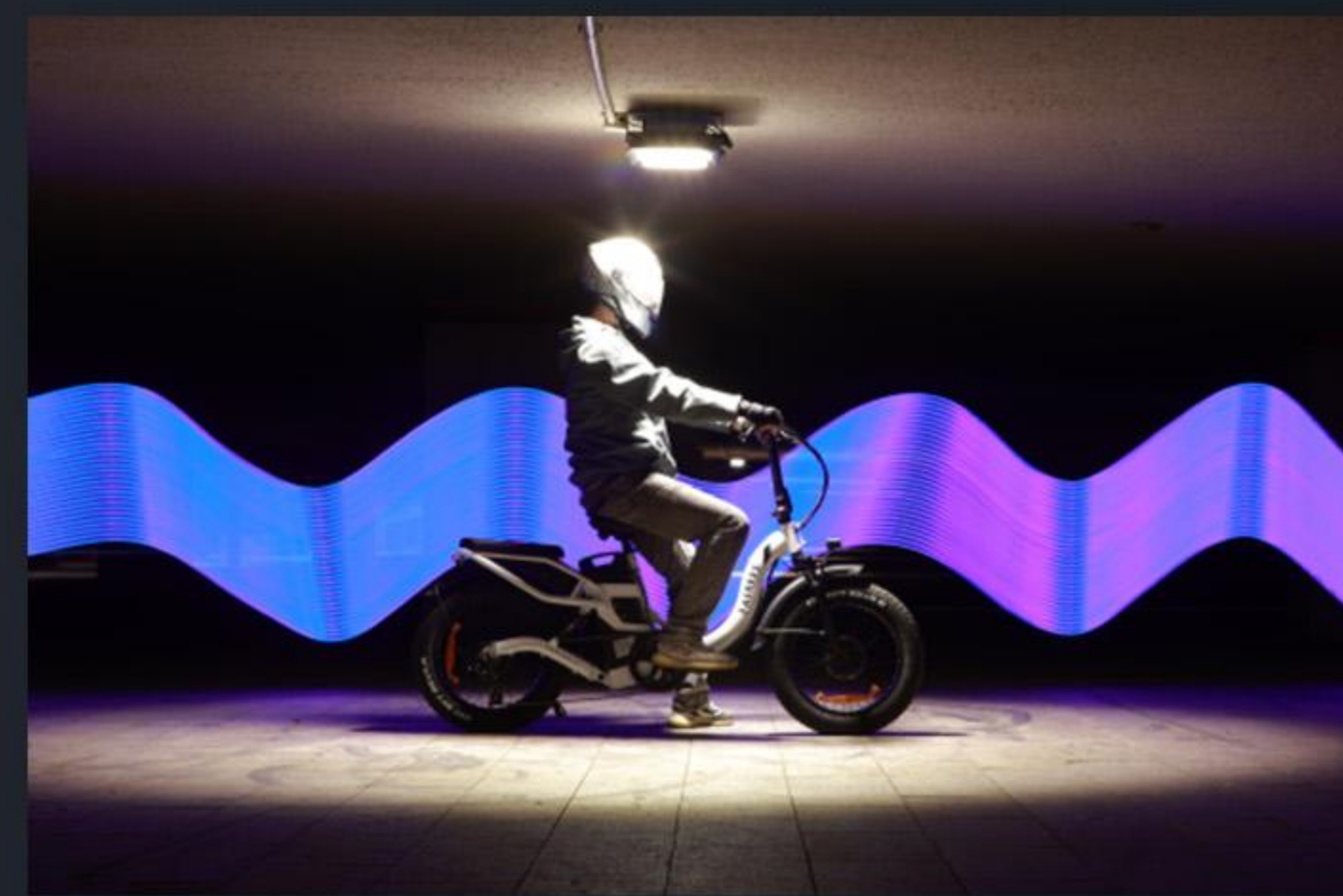
**High-definition color display
USB charging
Cruise control**



SPECIFICATIONS

| | |
|--------------------|------------------------|
| Model Name | F20 X-Max |
| Max. Load Capacity | 330lbs. / 150 kg |
| MAX. Speed | 25 KMH |
| Motor | 48V 750W Brushless Hub |
| Battery | 48V 30AH Li-ion |
| Wheel Size | 20 x 4.0" Front / Rear |
| Tire Pressure | Inflation to 5-30 PSI |
| Charger | 48V 3.0A |
| Input voltage | 110-240V |
| Charging Time | Approx. 9 Hours |
| Water Resistance | IPX4 |
| Size | 186*126*63 cm |
| Weight | 108 lbs / 49 kg |
| Light | Front / Rear |
| Brake | Hydraulic Disc Brakes |
| Transmission | Shimano 7s |











JOIN THE URBAN CYCLING REVOLUTION WITH THE FAFREES F20 X MAX.

Contact us at [pr@fafreesebike.com] for
further details or to arrange a test ride.
Experience the city like never before.