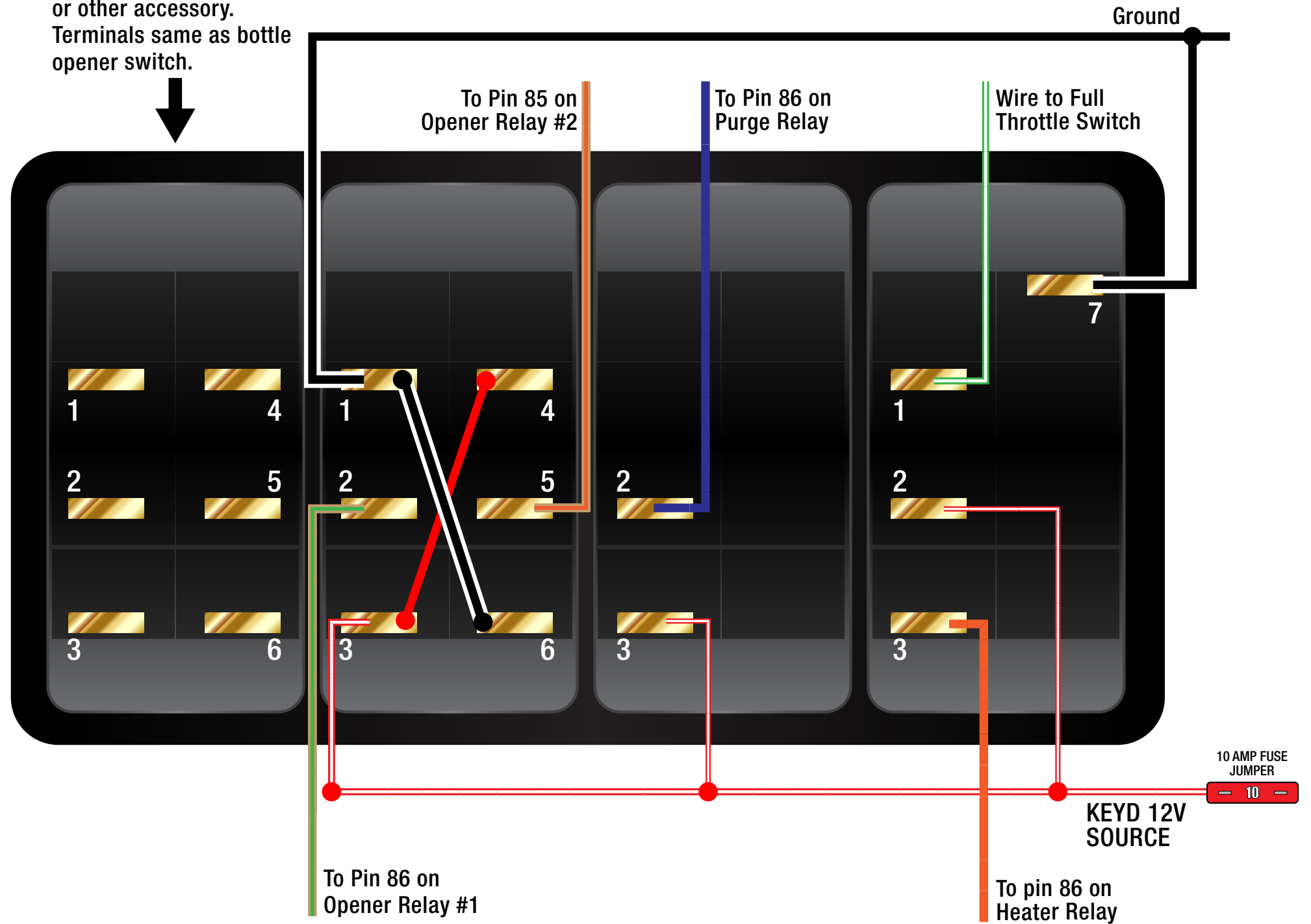
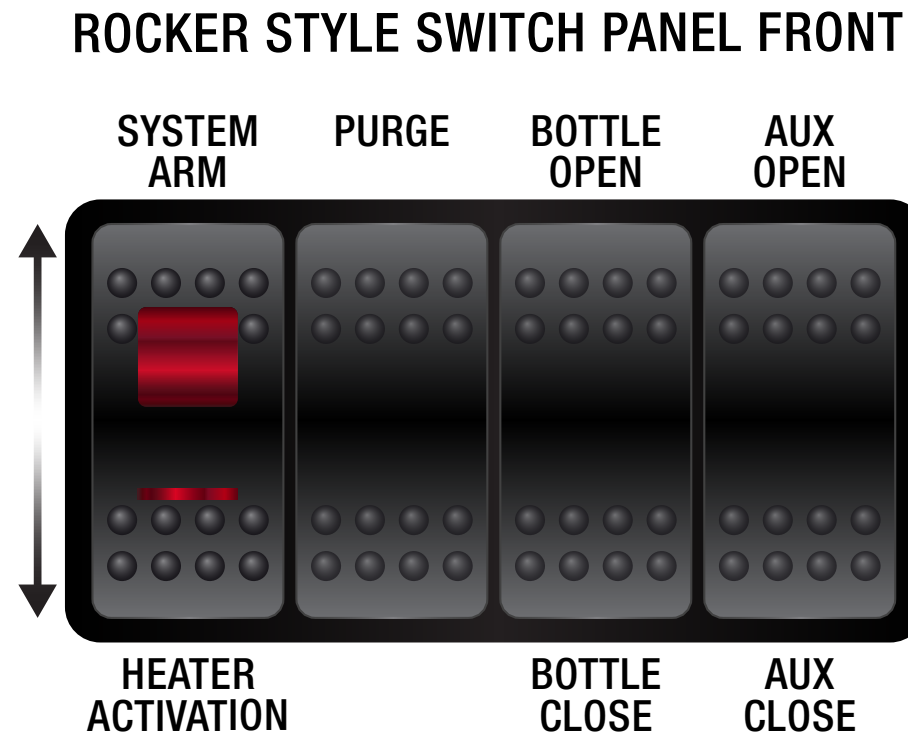


NITROUS OUTLET — ROCKER STYLE SWITCH PANEL WIRING DIAGRAM

ROCKER STYLE SWITCH PANEL BACK

Auxillary switch for electric cutouts, line lock, or other accessory. Terminals same as bottle opener switch.

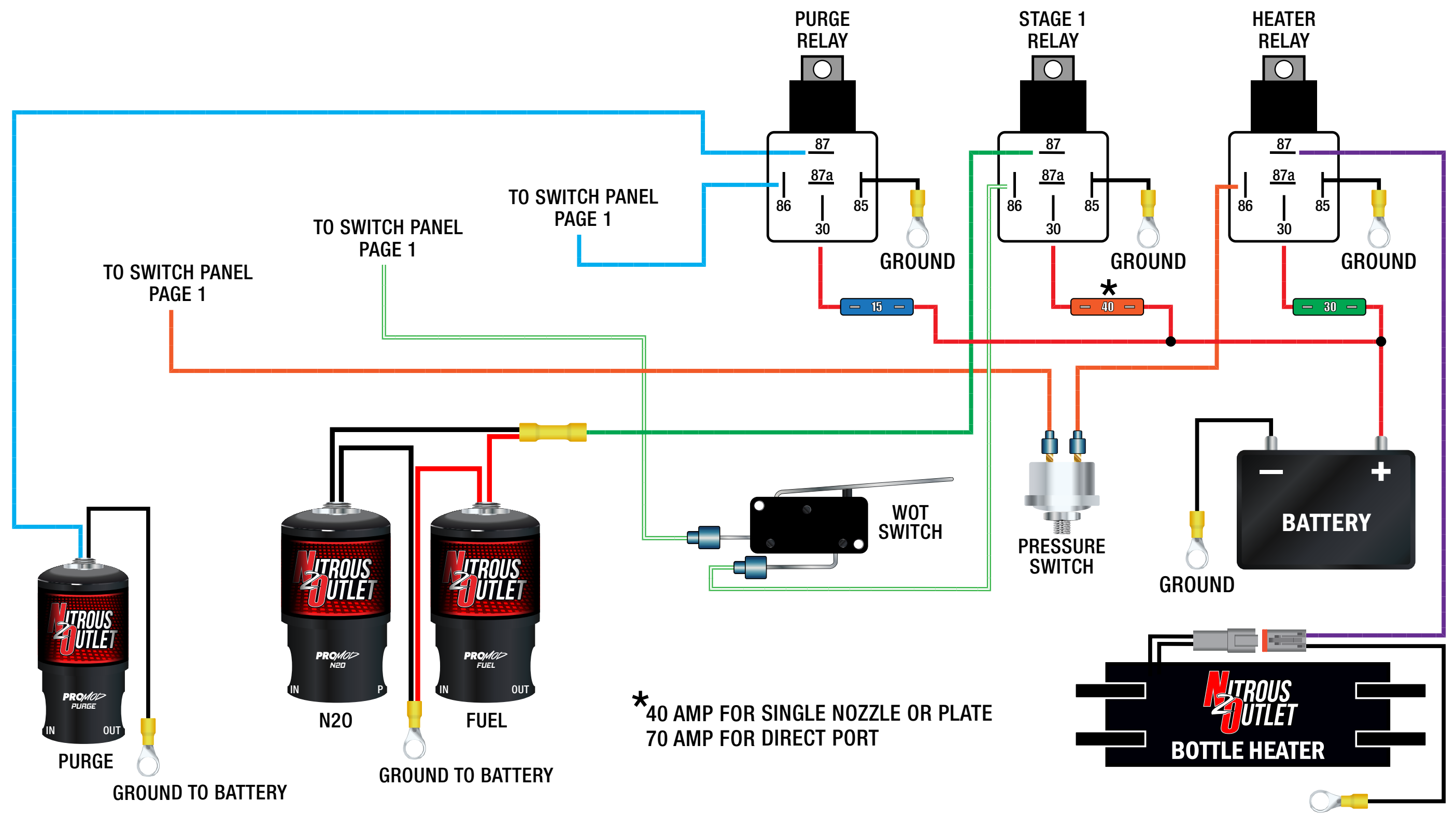


COMPANY / CONTACT: NITROUS OUTLET		PROJECT: ROCKER STYLE SWITCH PANEL WIRING DIAGRAM		FILENAME: ROCKER STYLE SWITCH PANEL WIRING DIAGRAM.AI
CREATED DATE: 09/24/2019	REV #: 00	PAGES: 1 of 3	CONTACT INFORMATION: NITROUS OUTLET 305 SOUTH 28TH STREET WACO, TX 76634 254.848.4300 CUSTOMERSERVICE@NITROUSOUTLET.COM WWW.NITROUSOUTLET.COM	

THIS DOCUMENT AND THE DESIGNS OR INFORMATION CONTAINED WITHIN ARE THE SOLE PROPERTY OF NITROUS OUTLET AND MAY NOT BE COPIED, DISTRIBUTED OR MADE AVAILABLE TO OTHERS WITHOUT PERMISSION.



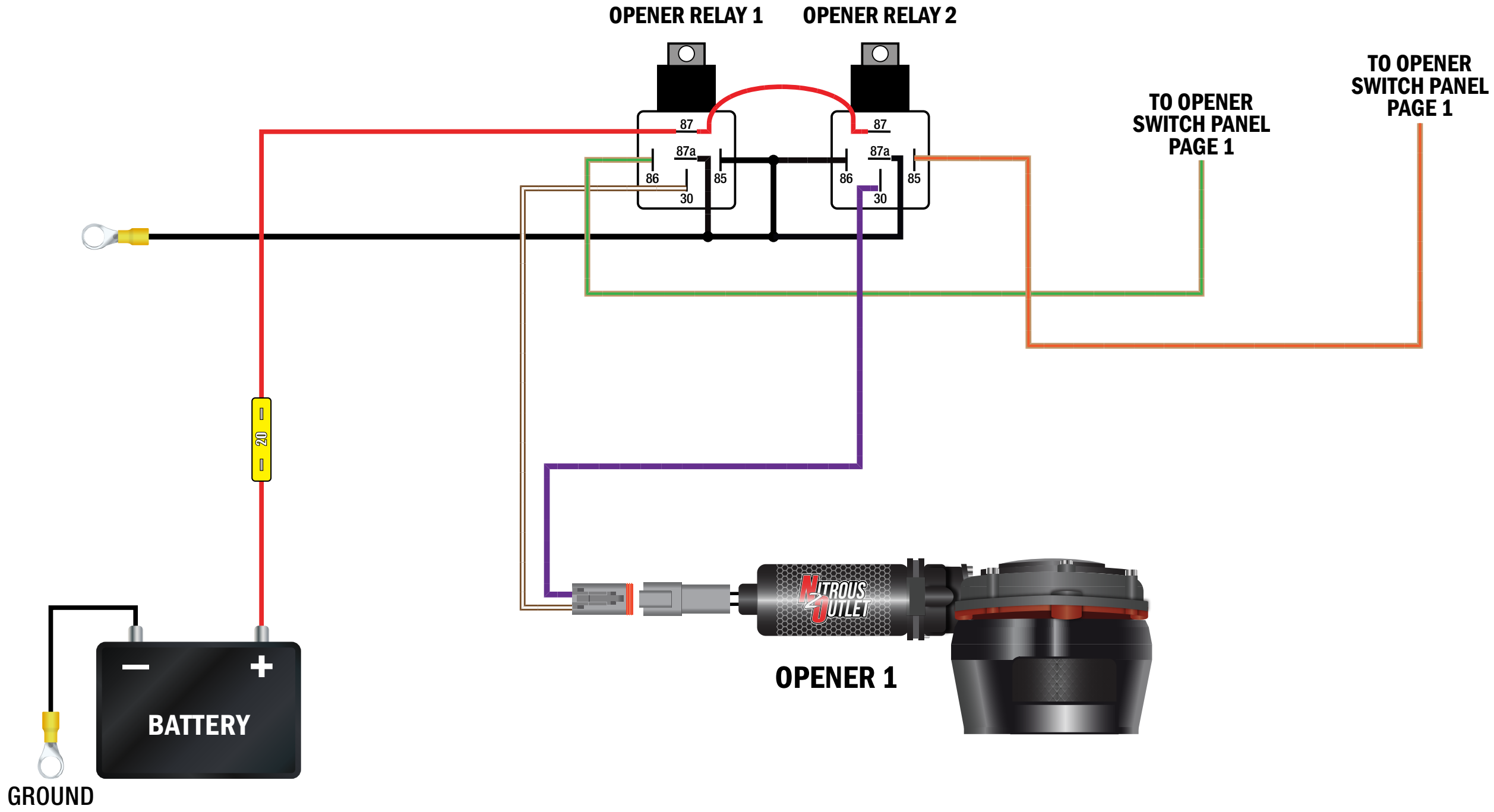
NITROUS OUTLET — ROCKER STYLE SWITCH PANEL WIRING DIAGRAM



* 40 AMP FOR SINGLE NOZZLE OR PLATE
70 AMP FOR DIRECT PORT

NITROUS OUTLET — OPENER WIRING DIAGRAM

OPENER



COMPANY / CONTACT: NITROUS OUTLET		PROJECT: OPENER WIRING DIAGRAM		FILENAME: OPENER WIRING DIAGRAM.AI
CREATED DATE: 09/24/2019	REV #: 00	PAGES: 3 of 3	CONTACT INFORMATION: NITROUS OUTLET 305 SOUTH 28TH STREET WACO, TX 76634 254.848.4300 CUSTOMERSERVICE@NITROUSOUTLET.COM WWW.NITROUSOUTLET.COM	
THIS DOCUMENT AND THE DESIGNS OR INFORMATION CONTAINED WITHIN ARE THE SOLE PROPERTY OF NITROUS OUTLET AND MAY NOT BE COPIED, DISTRIBUTED OR MADE AVAILABLE TO OTHERS WITHOUT PERMISSION.				

