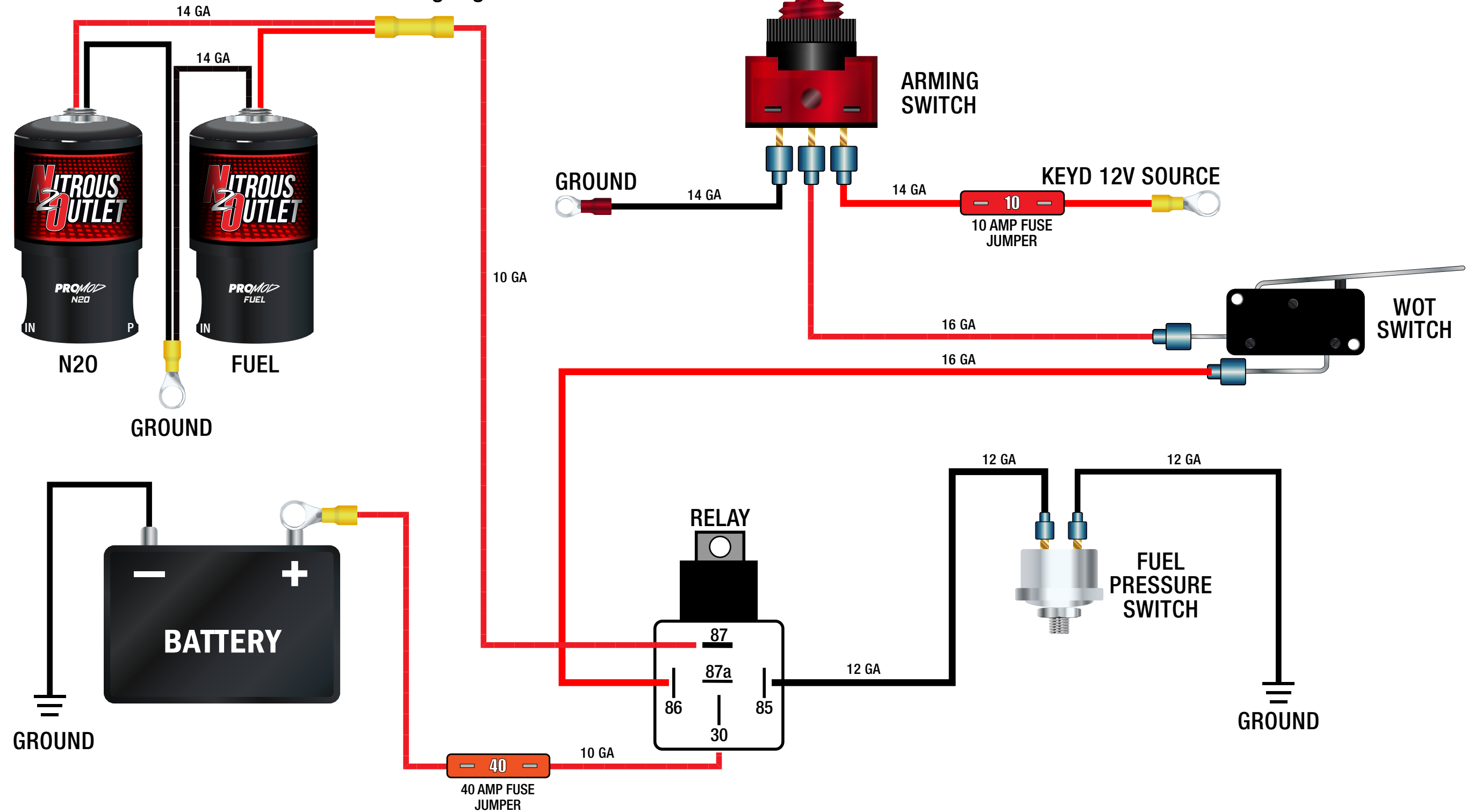


NITROUS OUTLET — FUEL PRESSURE SAFETY SWITCH WIRING DIAGRAM

NOTE:

If solenoid wires are extended use 10 gauge wire.



COMPANY / CONTACT: NITROUS OUTLET		PROJECT: FUEL PRESSURE SAFETY SWITCH WIRING DIAGRAM		FILENAME: FUEL PRESSURE SAFETY SWITCH WIRING DIAGRAM.AI
CREATED DATE: 08/10/2020	REV #: 02	PAGES: 1	CONTACT INFORMATION: NITROUS OUTLET 305 SOUTH 28TH STREET WACO, TX 76634 254.848.4300 CUSTOMERSERVICE@NITROUSOUTLET.COM WWW.NITROUSOUTLET.COM	
THIS DOCUMENT AND THE DESIGNS OR INFORMATION CONTAINED WITHIN ARE THE SOLE PROPERTY OF NITROUS OUTLET AND MAY NOT BE COPIED, DISTRIBUTED OR MADE AVAILABLE TO OTHERS WITHOUT PERMISSION.				

NITROUS OUTLET