

NITROUS OUTLET

Nitrous Outlet • 5427 N ST HWY 6 SUITE 1 • WACO TX • 76712

Dual Billet Bottle Bracket Assembly Instructions



This product should only be installed by a professional who has extensive experience with nitrous systems. Do not attempt to install this bottle bracket if you are not qualified. Please read all instructions carefully prior to beginning the project.

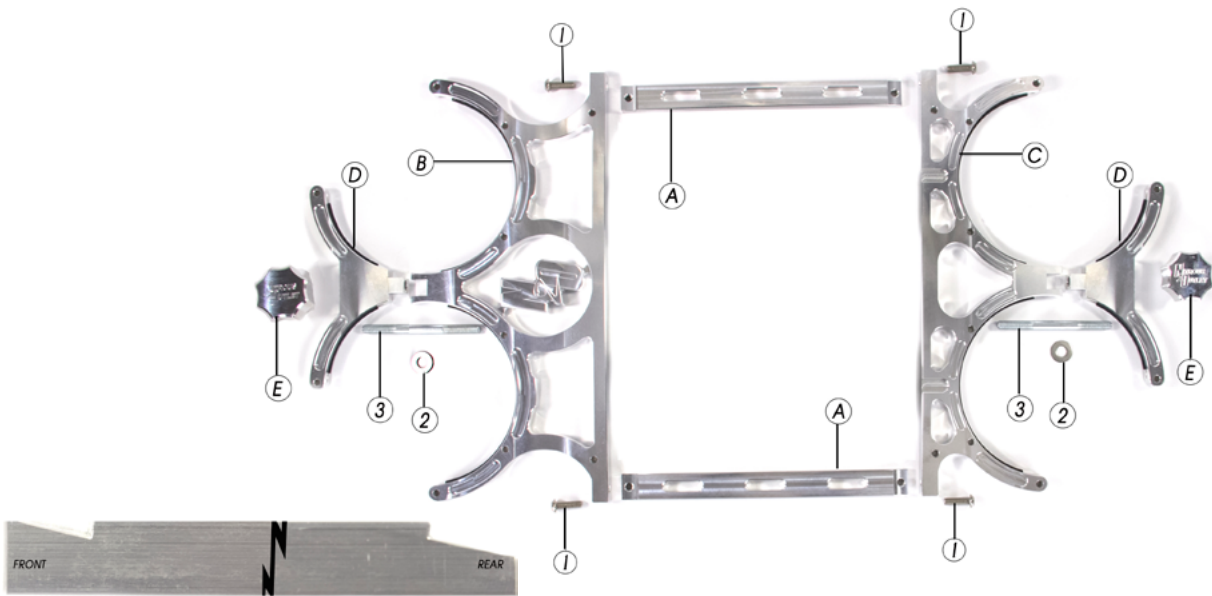
These instructions apply to the dual billet bracket with a 15° rake, as well as the dual billet vertical bottle bracket with no rake.

Tools Required: 3/16 Hex Head wrench

Parts and Hardware Included

Label Qty

- A. Mounting Rail.....2**
- B. Front Bracket.....1**
- C. Rear Bracket.....1**
- D. Top Bracket.....2**
- E. Bracket Knob.....2**
- 1. Mounting Bolt.....4**
- 2. Washers.....2**
- 3. Studs.....2**



– Step 1 – **Bracket Assembly**

1. Arrange all bracket pieces to resemble the above picture, be sure to pay close attention to the angles on the mounting rails(A), tall side is front, short side is rear.

2. Place the rear bracket(C) on the mounting rail(A), and insert the mounting bolts (1) on each side. For now you only want to hand tighten.

3. Place the front bracket(B) on the mounting rail(A), and insert the mounting bolts. At this point you can tighten all of the mounting bolts.

4. Thread the studs(3) into the center hole on the front and rear brackets. Slide the top bracket(D) onto the stud. Place the washer(2) on the stud, and thread on the quick release knob.



5. Your Nitrous Outlet Billet Bottle Bracket is complete!

*****If you purchased the billet bracket with heaters, continue on to page 3 for heater installation and electrical wiring instructions.**

– Step 2 – **Installing the Heater Elements**

Tools Required: 5/32 Hex Head Wrench



Heater Elements



Heater Element Screws 1a

1. To install the heater element into your billet bottle bracket, loosen the four corner bolts, slide the heater in and secure with the provided heater element screws(1a).

2. You will notice a small notch in the rear of your billet bracket, make sure this is the side the wires are facing on the heater elements.

3. Line up the holes on the bracket with the holes on the heater element and use the the heater mounting screws to fasten the heaters to the bracket and tighten all of your mounting bolts.

5. Find a location in your vehicle to secure your heated bottle bracket.

6. For angled brackets park on a level surface, and install the bracket laying down. Install bottle with the valve on the high side.

7. For vertical brackets, installed the bracket vertically so the bottle stands up. Make sure the bottle nipple facing the rear of the car. The nitrous moves back when launching, putting the nitrous directly under the siphon tube.



6. Be sure that there are no electrical lines, fuel/brake lines or the fuel tank directly under the area you are installing the bracket.

7. With the bracket installed securely you are now ready to run your electrical.

Electrical Wiring Instructions Cont. on page 4

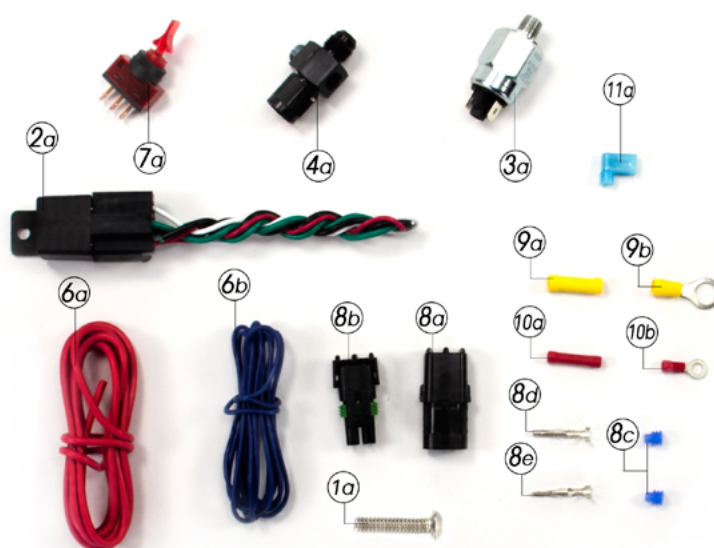


Dual Billet Heater Wiring Guide

Tools Required: 5/32 Hex Head Wrench, Wire Stripper/Crimper

Parts and Hardware Included

<u>Label</u>	<u>Qty</u>	<u>Label</u>	<u>Qty</u>	<u>Label</u>	<u>Qty</u>
1a. Heater Mount Screw	4	7a. Toggle Switch	1	9a. 12g Butt Connector	2
2a. Relay and Harness	2	8a. Female Weather Pack	1	9b. 12g Terminal End	2
3a. Pressure Switch	1	8b. Male Weather Pack	1	10a. 14g Butt Connector	2
4a. Manifold	1	8c. Weather Pack End Sealer	4	10b. 14g Terminal End	2
6a. 12 Gauge Red Wire	24ft	8d. Female Weather Pack Terminal	2	11a. Push On Terminal End	5
6b. 14 Gauge Blue Wire	12ft	8e. Female Weather Pack Terminal	2		



— Step 3 —

Plumbing The Manifold

1. The pressure switch is designe to be placed inline by connecting your main feed line to the manifold(4a), and connecting the manifold(4a) to your bottle.

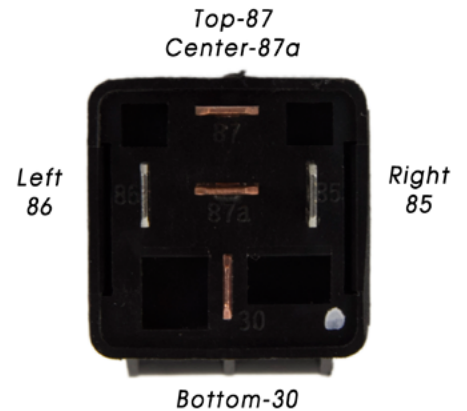
2. Install the 1/8th NPT bottle pressure switch(3a) into the manifold(4a) using red or blue loc-tite.

3. Never use teflon tape on your NPT nitrous or fuel fittings, we reccomend using red or blue loc-tite. We reccomend using the extra accessory port for a nitrous gauge so you can acurately manage your bottle pressure.

– Step 4 – Electrical Wiring Guide

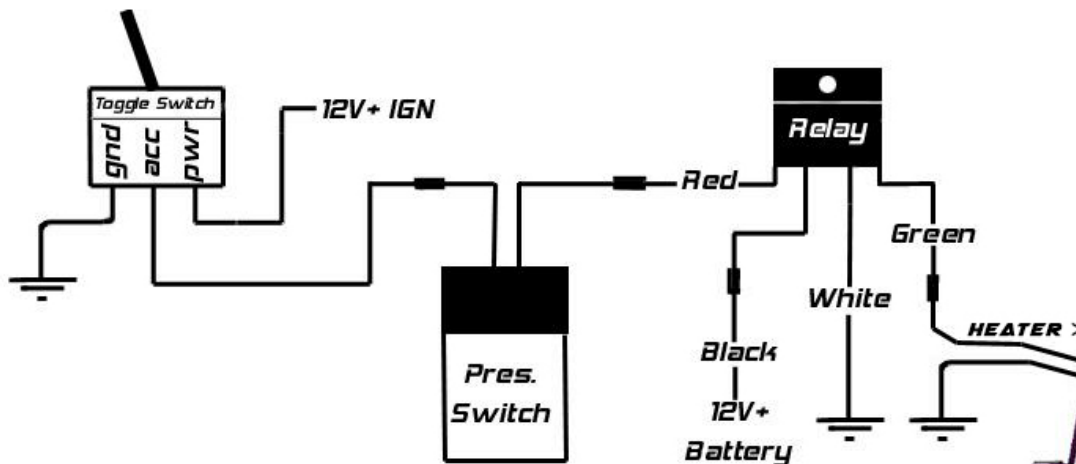
Caution

Not all relays will have the same color wires in the same location. If you are using a relay from another vendor, use the guide to the right to locate relay pin number locations. With the relay connecting tab facing down and away from you, you will see numbers next to the electrical connections. The top connector is 87, center connector 87a, left connector 86, right connector 85, and the bottom connector is 30. For reference in the following instructions the pin number will come after the wire color. It's good practice to check every relay this way.



1. Disconnect the battery.
2. Find a location for the relays and harnesses(2a) close to the heater elements and secure it.
3. Connect the green wire(87) to the remaining heater wire.
4. Connect the the two white(85) wires to a solid ground.
5. Wire the two black wires(30) together, and connect them to a 12V+ power source. The best possible power source is the positive battery terminal.
6. Wire the two red wires(86) together and connect them to one side of the bottle pressure safety switch(3a).

7. At this point move in to the cabin of the car and find a location to mount the toggle switch(7a).
8. From the free side, using the 12g red wire(6a) provided, connect the wire to the free side of the bottle safety pressure switch(3a), connect the other end of wire to the center accessory tab on the toggle switch using the push on terminal end(11a).
9. Connect the toggle switch ground using the push on terminal end, and connect to a solid ground using the eye terminal end (10b).
10. Connect the toggle switch power supply to a 12V+ switched igniton source. Double check all of your connections.
11. You are now ready to test the bottle heater.



– Step 5 –
Testing the bottle heaters.

- 1. Install your FULL nitrous bottles in to the heated dual billet bracket. Always install Nitrous Outlet bottles with the center of the sticker in the 12 o'clock position.**
- 2. Connect the bottle feed lines to the 'Y' block inlets. Make sure that all of your fittings are tight, open the bottle valves and check for leaks. If you find any leaks, fix them before continuing to step 3.**
- 3. Turn the key to the accessory position (two clicks).**
- 4. Flip the toggle switch to the "ON" position, the switch should illuminate.**
- 5. You will need a nitrous pressure gauge installed in to the extra 1/8th port on the manifold to accurately monitor bottle pressure.**
- 6. The bottle pressure safety switch(3a) comes pre set to 950psi. Once the bottle pressure stabilizes at 950psi, you should hear the relay(2a) click off. Even though the heater elements are not active at this time, the toggle switch will still be illuminated.**
- 7. If you want to stabilize at a lower or higher psi you can adjust the bottle pressure safety switch(3a) with a 1/8th hex head wrench. Half turns will adjust the bottle pressure approximately 100psi. Turn right to increase pressure, turn left to decrease pressure.**
- 8. The bottle pressure safety switch(3a) has a dead band of 75psi; for example, if you set the pressure to 975psi, the heater will shut off. It will turn back on once the pressure drops to 900psi.**

IMPORTANT!!!

- 1. NEVER OPERATE THE HEATER UNLESS THE BOTTLES ARE FIRMLY SECURED IN THE BILLET BOTTLE BRACKET!**
- 2. NEVER TOUCH THE BOTTLE CRADLE AFTER USE, IT CAN REMAIN HOT FOR UP TO AN HOUR!**
- 3. BEFORE REMOVING YOUR NITROUS BOTTLES ALWAYS MAKE SURE THE BOTTLES ARE OFF AND ALL NITROUS IS PURGED FROM THE SYSTEM.**
- 4. NEVER USE TEFLON TAPE ON YOUR NITROUS OR FUEL FITTINGS, WE HIGHLY RECCOMEND RED OR BLUE LOC-TITE.**
- 5. ALWAYS DOUBLE CHECK YOUR ELECTRICAL AND BE SURE THAT YOUR GROUNDS ARE CONNECTED TO A CLEAN, SOLID GROUND.**
- 6. NEVER TURN THE HEATER ON WITH AN EMPTY BOTTLE, IT WILL BURN UP THE HEATING ELEMENT.**

NITROUS OUTLET
5427 N ST HWY 6 SUITE 1
WACO, TX 76712
[254] 848-4300 M-F 8:30-5:30 [CST]