



00-12013 97-13 Corvette Fuel Cell

97-13 CORVETTE DEDICATED FUEL CELL INTSTRUCTIONS

Part # 00-12013 Battery Tray Mounted

INSTALLATION INSTRUCTIONS

*****CAUTION: DO NOT USE TEFLON TAPE WITH AN FITTINGS*****

Nitrous Outlet's dedicated fuel systems come complete with a custom built fuel cell, mounting brackets, in tank fuel pump, Aeromotive fuel regulator, 6AN hose, fuel lines, fittings, and electrical for install.

Aeromotive regulator is capable of flowing high or low pressure by changing the spring. The Aeromotive fuel regulator comes with the low pressure spring installed(3PSI-20PSI). Optional high pressure spring(20PSI-65PSI) is also included.

Installation

- **Step 1** Preparation. Remove Battery and relocate to the rear. Clean and prepare the tray area for fuel cell install.
- **Step 2** Mounting. Mount the fuel cell in battery tray as you would the battery. *****Do not over tighten the mounting clamps.*****
- **Step 3** Running lines. Make sure that the Aeromotive fuel regulator and fittings are tight. Install your fitting into the port on the Aeromotive fuel regulator, connect fuel supply line and run to your fuel solenoid.
- **Step 4** Wiring. By using Nitrous Outlet's attached wiring diagram, carefully follow and proceed to wire your system.

WWW.NITROUSOUTLET.COM

IMPORTANT—All appropriate safety equipment (i.e., gloves, tools) must be used during the installation of this product(s). Nitro Dave's LLC accepts no responsibility for injuries resulting in the installation of any product(s).

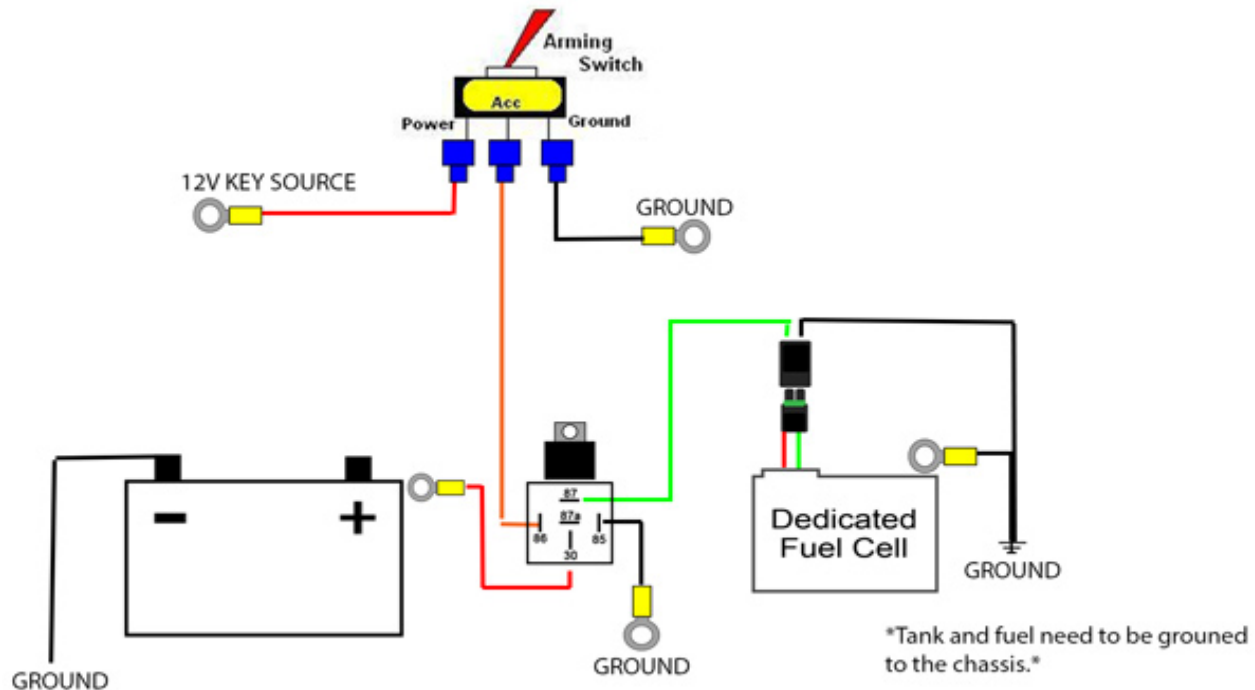


00-12013 97-13 Corvette Fuel Cell

97-13 CORVETTE DEDICATED FUEL CELL INTSTRUCTIONS

Part # 00-12013 Battery Tray Mounted

INSTALLATION INSTRUCTIONS



Installation Tips

- A Fuel Pressure Safety Switch is recommended with this fuel system.
- A gauge is not included but is able to be purchased in high pressure(P/N:00-63004) or low pressure(P/N:00-63003).
- A mild grade (Blue)Loctite is recommended on straight threads such as the fittings on the regulator (3/8NPT).
- System comes with 4ft of 6AN fuel hose that can be cut to the desired length and uses supplied connections for the ends.
- Wire with weather pack connections based on the diagram below.
- If your dedicated fuel cell is vehicle specific, please see our website for location orientation.

WWW.NITROUSOUTLET.COM

IMPORTANT—All appropriate safety equipment (i.e., gloves, tools) must be used during the installation of this product(s). Nitro Dave's LLC accepts no responsibility for injuries resulting in the installation of any product(s).