



00-12001 98-02 F-Body Fuel Cell

00-12001 F-BODY DEDICATED FUEL CELL INTSTRUCTIONS

Part # 00-12013 Fuse Box Area

INSTALLATION INSTRUCTIONS

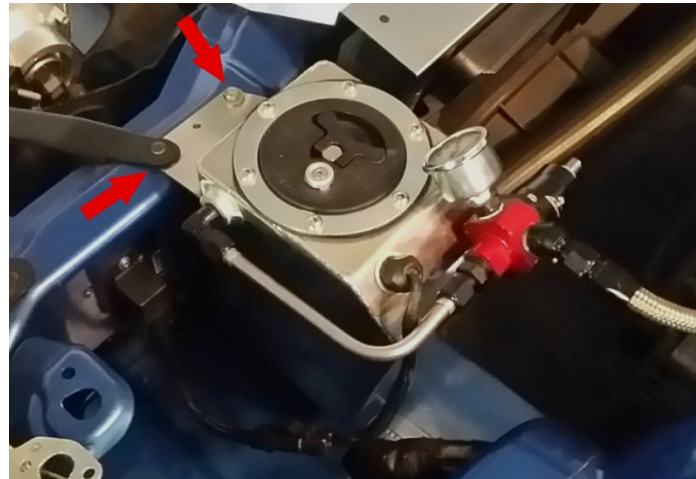
*****CAUTION:** DO NOT USE TEFLON TAPE WITH AN FITTINGS***

Nitrous Outlet's dedicated fuel systems come complete with a custom built fuel cell, mounting brackets, in tank fuel pump, Aeromotive fuel regulator, 6AN hose, fuel lines, fittings, and electrical for install.

Aeromotive regulator is capable of flowing high or low pressure by changing the spring. The Aeromotive fuel regulator comes with the low pressure spring installed(3PSI-20PSI). Optional high pressure spring(20PSI-65PSI) is also included.

Installation

- **Step 1** Preparation. Making sure lines and hoses are clear, mock-up and get ready for install.
- **Step 2** Mounting. Mount to the holes on front core support on the front driver side near the fuse panel, follow the attached picture for reference.
- **Step 3** Running lines. Make sure that the Aeromotive fuel regulator and fittings are tight. Install your fitting into the port on the Aeromotive fuel regulator, connect fuel supply line and run to your fuel solenoid.
- **Step 4** Wiring. By using Nitrous Outlet's attached wiring diagram, carefully follow and proceed to wire your system.



WWW.NITROUSOUTLET.COM

IMPORTANT—All appropriate safety equipment (i.e., gloves, tools) must be used during the installation of this product(s). Nitro Dave's LLC accepts no responsibility for injuries resulting in the installation of any product(s).

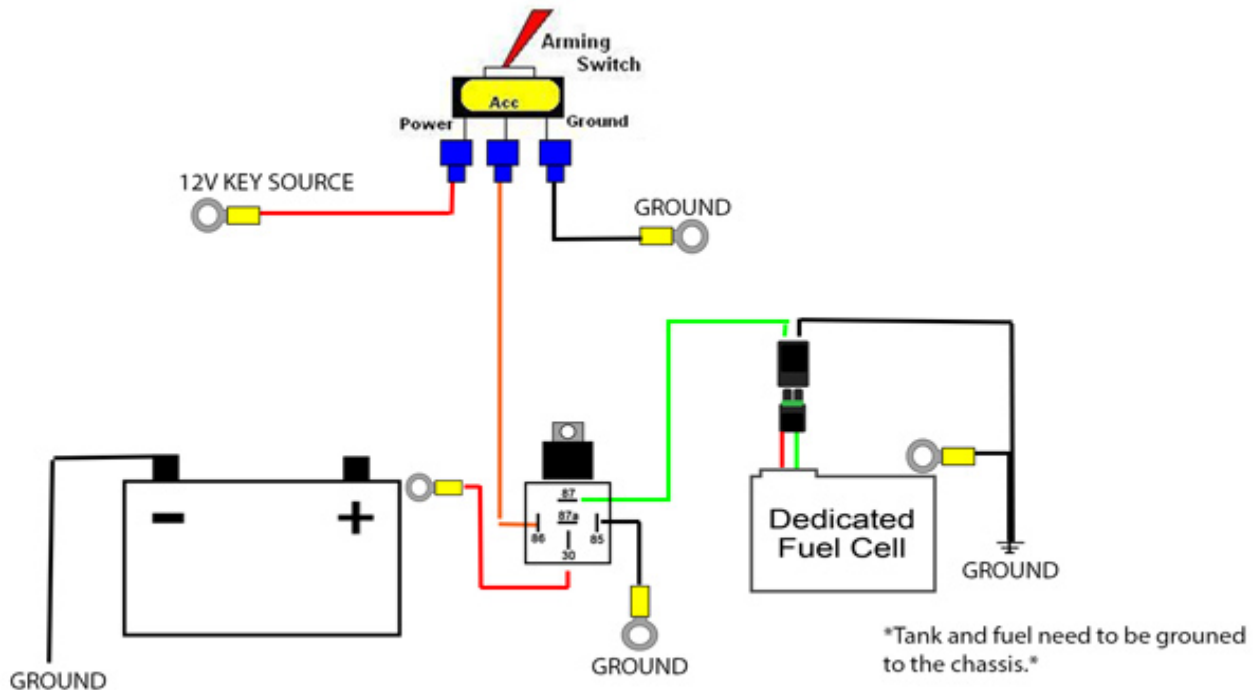


00-12001 98-02 F-Body Fuel Cell

00-12001 F-BODY DEDICATED FUEL CELL INTSTRUCTIONS

Part # 00-12013 Fuse Box Area

INSTALLATION INSTRUCTIONS



Installation Tips

- A Fuel Pressure Safety Switch is recommended with this fuel system.
- A gauge is not included but is able to be purchased in high pressure(P/N:00-63004) or low pressure(P/N:00-63003).
- A mild grade (Blue)Loctite is recommended on straight threads such as the fittings on the regulator (3/8NPT).
- System comes with 4ft of 6AN fuel hose that can be cut to the desired length and uses supplied connections for the ends.
- Wire with weather pack connections based on the diagram below.
- If your dedicated fuel cell is vehicle specific, please see our website for location orientation.

WWW.NITROUSOUTLET.COM

IMPORTANT—All appropriate safety equipment (i.e., gloves, tools) must be used during the installation of this product(s). Nitro Dave's LLC accepts no responsibility for injuries resulting in the installation of any product(s).