



2015+ DODGE CHALLENGER (AUTO)

VEHICLE SPECIFIC SWITCH PANEL #00-11038

INSTALLATION INSTRUCTIONS

This installation guide will give you the necessary steps to install this switch panel in your 2015+ Dodge Challenger or Hellcat Challenger with an automatic transmission. If you have any questions regarding the installation, contact our Tech Help line at (254) 848-4300.

Tools Needed For Installation:

- Trim Tool
- T-25 Torx Bit and compatible Nut Driver
- Electric Drill
- Phillips Screwdriver
- #44 Drill Bit



Step 1:

Remove the change tray from the center console, and then remove the trim around the gear shifter with a trim tool. Work your way around it pulling each tab loose carefully.



Step 2:

Disconnect the single electrical connection on the shifter.

305 S. 28th street Waco, TX 76710 - TEL 254-848-4300

WWW.NITROUSOUTLET.COM

IMPORTANT- ALL APPROPRIATE SAFETY EQUIPMENT (GLOVES, TOOLS ETC.) MUST BE USED DURING THE INSTALLATION OF THIS PRODUCT(S).
NITRO DAVE'S LLC ACCEPTS NO RESPONSIBILITY FOR INJURIES RESULTING IN THE INSTALLATION OF ANY PRODUCT(S). NITROUS OXIDE IS FOR OFF-ROAD USE ONLY.



2015+ DODGE CHALLENGER (AUTO)

VEHICLE SPECIFIC SWITCH PANEL #00-11038

INSTALLATION INSTRUCTIONS



Step 3:

Use a T-25 Torx to remove the the single screw on the shaft of the shifter.



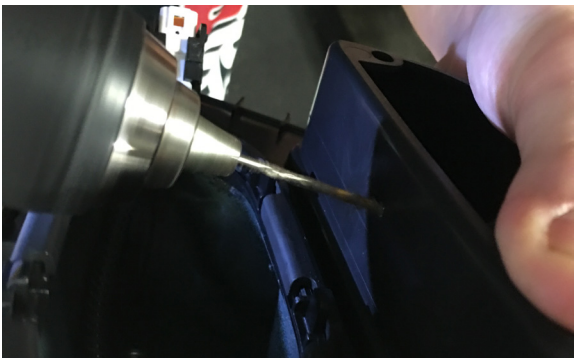
Step 4;

Remove the the shifter knob and console panel by pulling upwards on the knob.



Step 5:

Insert the switch panel into the console and push it down firmly. Make sure the panel is completely seated evenly all around its edges.



Step 6:

Use a drill and a #44 bit to drill a pilot hole for your mounting screws. You will need to do this for both sides of the switch panel to ensure it's mounted securely.

305 S. 28th street Waco, TX 76710 - TEL 254-848-4300

WWW.NITROUSOUTLET.COM

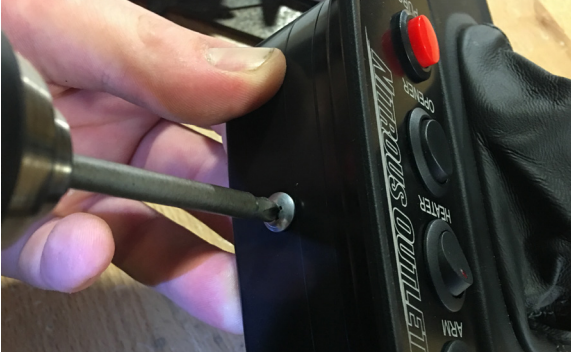
IMPORTANT- ALL APPROPRIATE SAFETY EQUIPMENT (GLOVES, TOOLS ETC.) MUST BE USED DURING THE INSTALLATION OF THIS PRODUCT(S).
NITRO DAVE'S LLC ACCEPTS NO RESPONSIBILITY FOR INJURIES RESULTING IN THE INSTALLATION OF ANY PRODUCT(S). NITROUS OXIDE IS FOR OFF-ROAD USE ONLY.



2015+ DODGE CHALLENGER (AUTO)

VEHICLE SPECIFIC SWITCH PANEL #00-11038

INSTALLATION INSTRUCTIONS



Step 7:

Secure the switch panel into the shifter console slot with the 2 screws supplied with your switch panel and a phillips head screwdriver or drill bit.



Step 8:

Remove the face of the switch panel by pushing on the bottom of it. This will give you access to the mounting bracket and allow easier access for wiring.



Step 9:

Reinstall the shift knob onto the shifter, and pull the wiring for your switch panel through the bracket. Be sure to pull the 'Arm' switch wiring to the front of the bracket, the 'Heater' wiring through the front hole in the bracket, the 'Remote Opener' wiring through the second hole in the bracket, and the 'Purge' wiring around the back of the bracket.



Step 10:

Connect your wires according to the diagram in this installation manual. After you make the connections, carefully push the panel down into shifter console, making sure that no connections to the switch panel come loose.

305 S. 28th street Waco, TX 76710 - TEL 254-848-4300

WWW.NITROUSOUTLET.COM

IMPORTANT- ALL APPROPRIATE SAFETY EQUIPMENT (GLOVES, TOOLS ETC.) MUST BE USED DURING THE INSTALLATION OF THIS PRODUCT(S).
NITRO DAVE'S LLC ACCEPTS NO RESPONSIBILITY FOR INJURIES RESULTING IN THE INSTALLATION OF ANY PRODUCT(S). NITROUS OXIDE IS FOR OFF-ROAD USE ONLY.



2015+ DODGE CHALLENGER (AUTO)

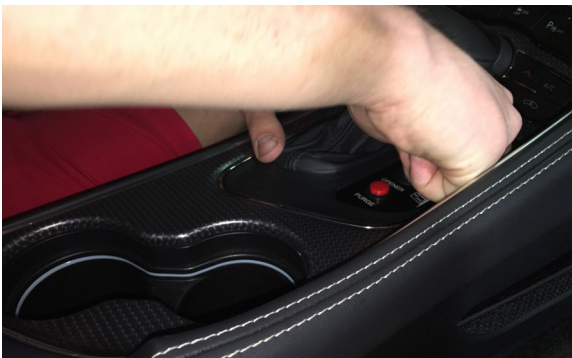
VEHICLE SPECIFIC SWITCH PANEL #00-11038

INSTALLATION INSTRUCTIONS



Step 11:

After the switch panel is pushed in, reconnect the electrical connection on the bottom of the console panel.



Step 12:

Push the shifter console back into the center console. Push down evenly around the edges to avoid damaging the retaining clips.



Step 13:

Now that your switch panel is installed, test all of your switches for proper operation. If any of your items or accessories does not function correctly, you may need to ensure that none of the connections on the panel came loose during installation. If no connections are loose, you may need to give our Tech Help line a call at (254) 848-4300

305 S. 28th street Waco, TX 76710 - TEL 254-848-4300

WWW.NITROUSOUTLET.COM

IMPORTANT- ALL APPROPRIATE SAFETY EQUIPMENT (GLOVES, TOOLS ETC.) MUST BE USED DURING THE INSTALLATION OF THIS PRODUCT(S).
NITRO DAVE'S LLC ACCEPTS NO RESPONSIBILITY FOR INJURIES RESULTING IN THE INSTALLATION OF ANY PRODUCT(S). NITROUS OXIDE IS FOR OFF-ROAD USE ONLY.

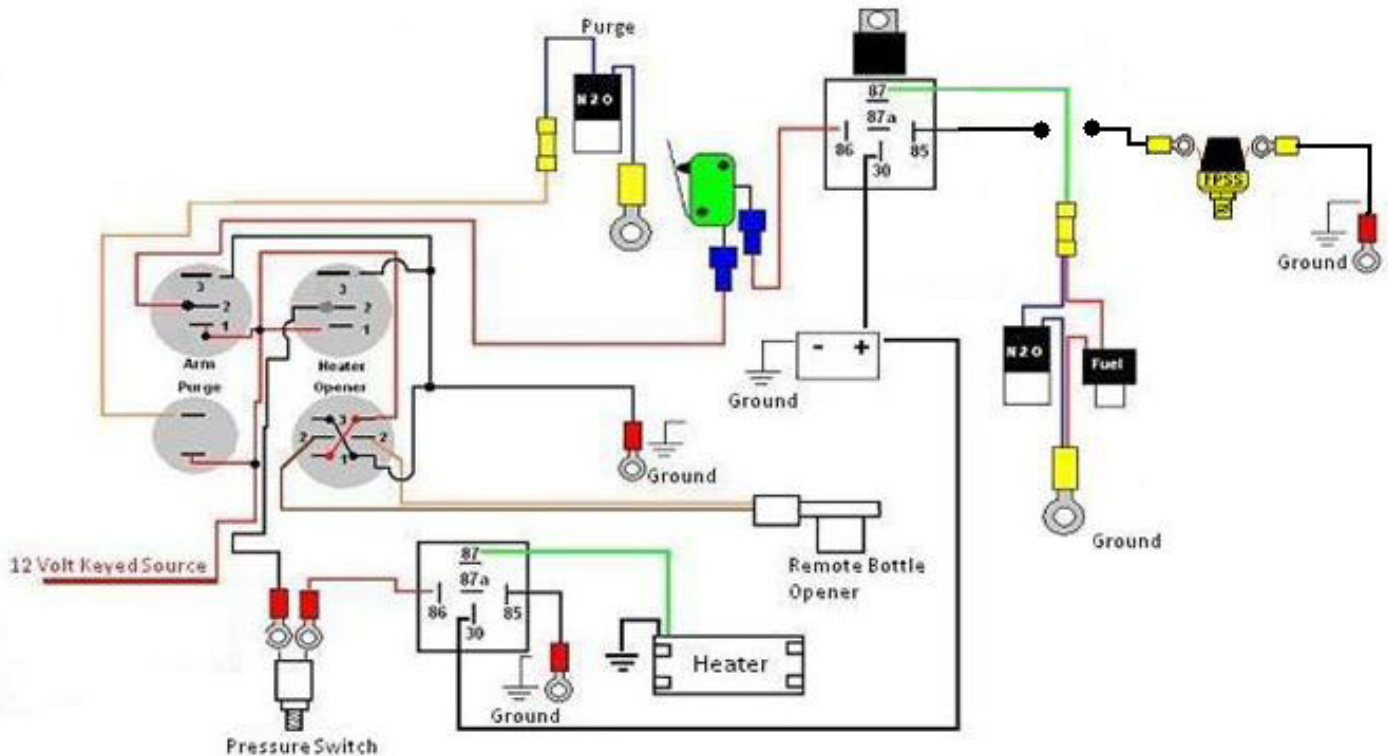


2015+ DODGE CHALLENGER (AUTO)

VEHICLE SPECIFIC SWITCH PANEL #00-11038

INSTALLATION INSTRUCTIONS

4 BUTTON SWITCH PANEL WIRING DIAGRAM



305 S. 28th street Waco, TX 76710 - TEL 254-848-4300

WWW.NITROUSOUTLET.COM

IMPORTANT- ALL APPROPRIATE SAFETY EQUIPMENT (GLOVES, TOOLS ETC.) MUST BE USED DURING THE INSTALLATION OF THIS PRODUCT(S).
NITRO DAVE'S LLC ACCEPTS NO RESPONSIBILITY FOR INJURIES RESULTING IN THE INSTALLATION OF ANY PRODUCT(S). NITROUS OXIDE IS FOR OFF-ROAD USE ONLY.