



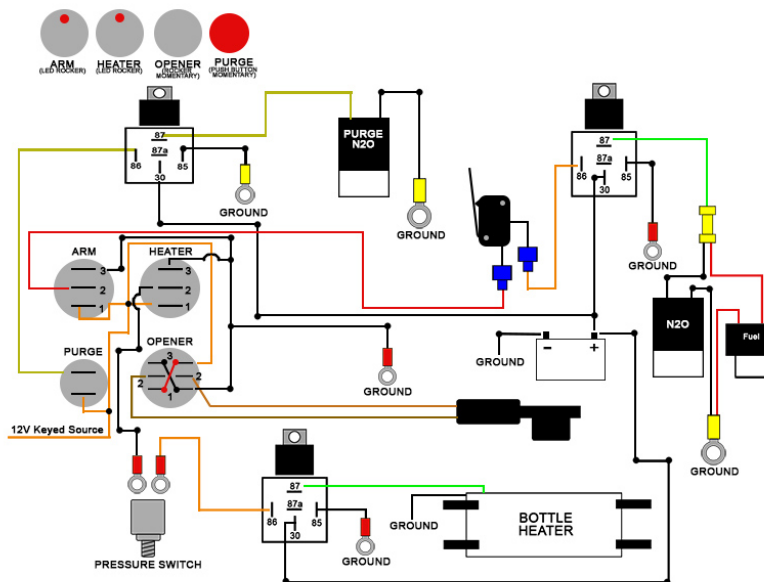
09-13 CTSV Switch Panel

09-13 CTSV CENTER CONSOLE SWITCH PANEL

Part # 00-11032

INSTALLATION INSTRUCTIONS

1. This panel fits in the drivers side of the center console of your 09-13 CTSV. You may need to remove the center console to route your wiring. You may also need to drill a hole in the back of the cubby to run the wiring through underneath the "opener" switch.
2. Route all your wiring for your accessories to the switch panel and make your connections. There is plenty of room to roll any excess wire under the panel, giving yourself a little extra wire will make your install easier, especially if there are any changes down the road.
3. Connect all of your wiring using the diagram below.
4. Test the system and make sure your wiring is correct. With the key in the on position turn on system arm, the solenoids should click. If they don't something is wired wrong. If they do click then turn on the heater and see if it gets warm, then try your purge. Once everything is working correctly move to the next step.
5. Slide the switch panel into the center console, it is designed to be a tight fit so no mounting hardware is necessary.
6. Put the console back together and you are ready to go.



BUTTON CONFIGURATION ON SWITCH PANEL MAY DIFFER

WWW.NITROUSOUTLET.COM

IMPORTANT—All appropriate safety equipment (e.i., gloves, tools) must be used during the installation of this product(s). Nitro Dave's LLC accepts no responsibility for injuries resulting in the installation of any product(s).