



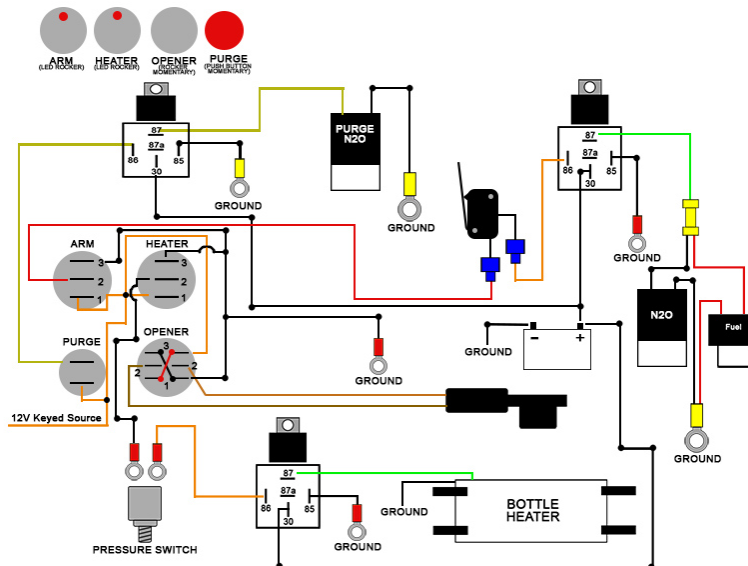
96-02 Viper Switch Panel

VIPER ASHTRAY NITROUS SWITCH PANEL

Part # 00-11017

INSTALLATION INSTRUCTIONS

1. This panel fits in the ashtray of your Viper. Pull your ashtray out of the center console. You may need to remove the center console to route your wiring.
2. Route all your wiring for your accessories to the switch panel and make your connections. There is plenty of room to roll any excess wire under the panel, giving yourself a little extra wire will make your install easier, especially if there are any changes down the road.
3. Connect all of your wiring using the diagram below.
4. Test the system and make sure your wiring is correct. With the key in the on position turn on system arm, the solenoids should click. If they don't something is wired wrong. If they do click then turn on the heater and see if it gets warm, then try your purge. Once everything is working correctly move to the next step.
5. Slide the switch panel into the ashtray, the tabs on top and bottom will slide under the ashtray housing keep the panel snug. Put the bottom side in and slide it toward you, then press the panel down flat and slide it forward.
6. Put the console back together and you are ready to go.



BUTTON CONFIGURATION ON SWITCH PANEL MAY DIFFER

WWW.NITROUSOUTLET.COM

IMPORTANT—All appropriate safety equipment (e.i., gloves, tools) must be used during the installation of this product(s). Nitro Dave's LLC accepts no responsibility for injuries resulting in the installation of any product(s).