



93-02 F-Body Switch Panel

SLIDE IN ASHTRAY SWITCH PANEL

Part #'s 00-11005

INSTALLATION INSTRUCTIONS

Step 1: Remove the metal ashtray compartment liner.

Step 2: The area below the ashtray should be hollow, remove any debris or wires if any are present.

Step 3: Now its time to start wiring the switch panel. We suggest building a small harness for the switch panel. Using 18-22 gauge wires, make a harness with the wires about 1 foot in length. You have been supplied with flag terminals to crimp to your wires for making connections. Following the supplied wiring diagram wire your harness to specs. Always solder wire to wire connections.

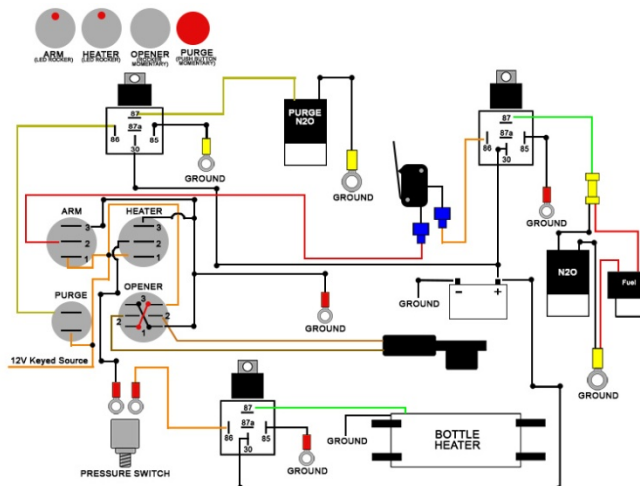
Step 4: With your harness complete and plugged onto the switch panel feed System arm and purge wires through the center console toward your system wiring/ firewall. Run the opener/heater wires towards the trunk. You may need to remove the console.

Step 5: Connect the harness wires to the system wiring.

Step 6: Place the console storage compartment back and screw it in.

Step 7: Before snapping the panel in to place test the system and make sure your wiring is correct. With the key in the on position turn on system arm, the solenoids should click. If they don't something is wired wrong. If they do click then turn on the heater and see if it gets warm, then try your purge. Once everything is working correctly move to the next step.

Step 8: Once everything is connected and working properly snap the switch panel in and you are ready to go.



WWW.NITROUSOUTLET.COM

IMPORTANT—All appropriate safety equipment (e.i., gloves, tools) must be used during the installation of this product(s). Nitro Dave's LLC accepts no responsibility for injuries resulting in the installation of any product(s).