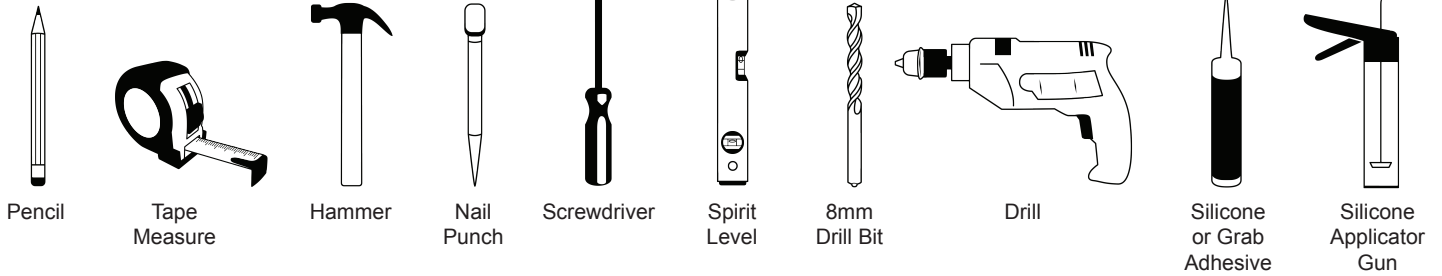


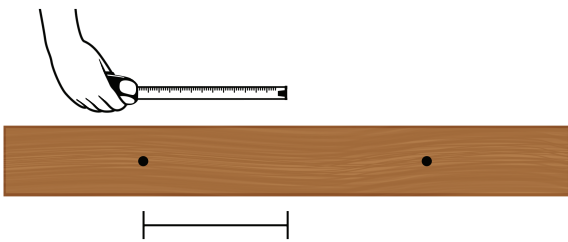
# 14 X 10 BEAMS

## Installation Guide

### Tools Needed

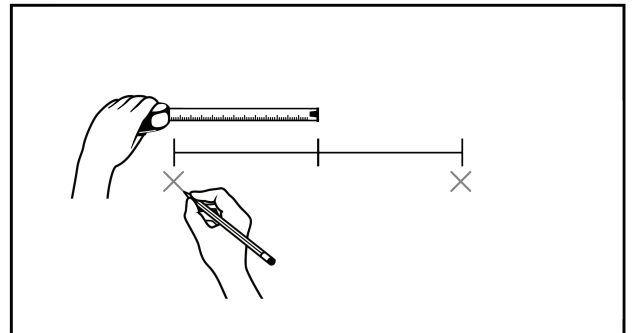


#### Step 1



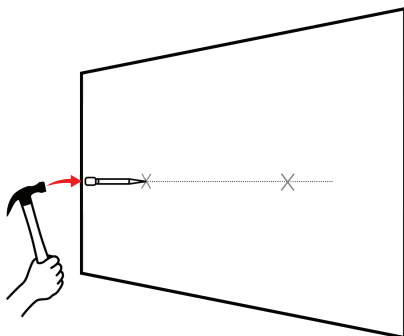
Mark the centre of the beam and measure to the centers of the pre-drilled fixings.

#### Step 2



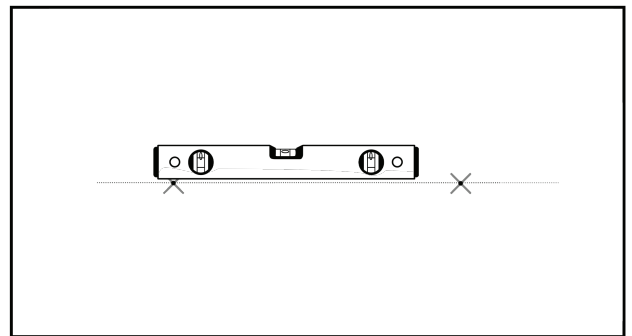
Mark the centre of the wall where you want to place the shelf or mantel and transfer the measurements onto the wall.

#### Step 3



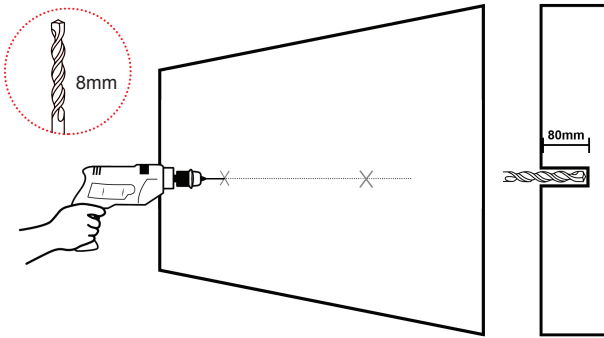
Using a nail punch, mark accurately where you would like to drill.

#### Step 4



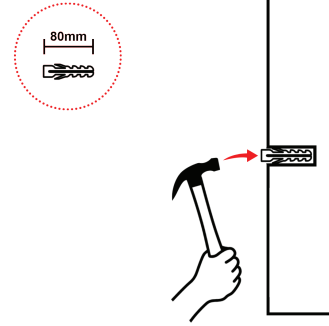
Place the spirit level above the drill holes and ensure they are perfectly level.

### Step 5



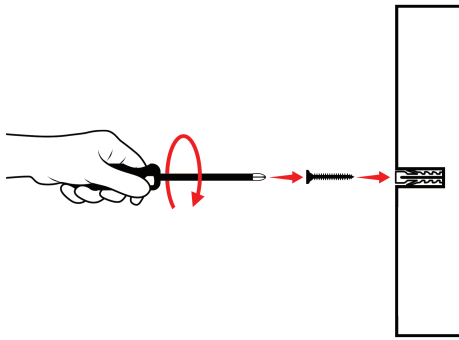
Using a 8mm drill bit and keeping the drill straight and level or slightly angled downward, drill a 80mm deep hole into each of your bracket markings on your wall.

### Step 6



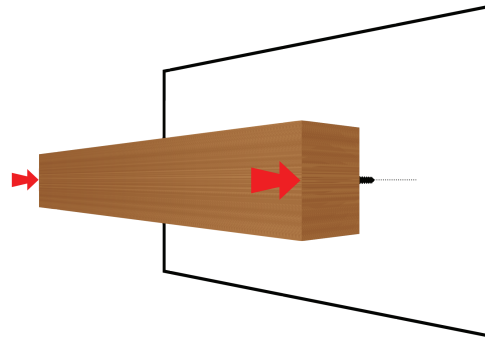
Tap the Rawl plugs provided into the holes until they are flush to the wall.

### Step 7



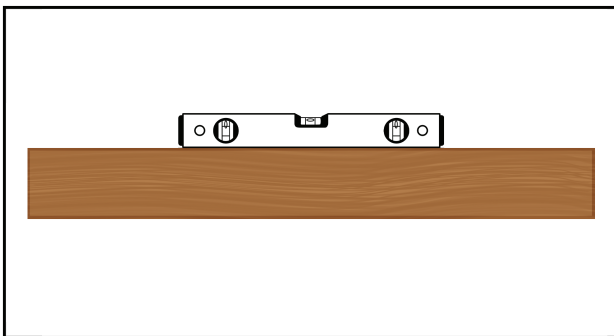
Using a screwdriver, screw the screw provided into the Rawl plugs.

### Step 8



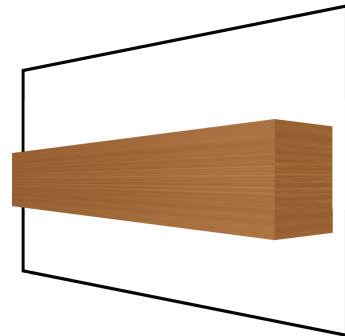
Place your beam onto the screws. Please adjust the screws so that your beam is able to sit tight to the wall.

### Step 9



Place the spirit level again on the shelf / beam and ensure a final level installation.

### Step 10



Step back, appreciate your hard work and your beautiful new beam!