

# Jupiter

CONDENSER CO.®



# Copper Foil Paper-Wax 600V

μF	Voltage	Diameter		Length		Cat. No.
		Inches	mm	Inches	mm	
0.0010	600V	0.2500	6.4	0.8125	20.6	PH9001-6102J
0.01	600V	0.3750	9.5	0.8125	20.6	PH9001-6103J
0.022	600V	0.4375	11.1	1.1250	28.6	PH9001-6223J
0.047	600V	0.5620	14.3	1.1250	28.6	PH9001-6473J
0.10	600V	0.5620	14.3	1.3750	34.9	PH9001-6104J
0.15	600V	0.7500	19.1	1.3750	34.9	PH9001-6154J
0.22	600V	0.8125	20.6	1.3750	34.9	PH9001-6224J
0.27	600V	0.8125	20.6	1.3750	34.9	PH9001-6274J
0.33	600V	0.8125	20.6	2.0625	52.4	PH9001-6334J
0.39	600V	0.8125	20.6	2.0625	52.4	PH9001-6394J
0.47	600V	0.8125	20.6	2.0625	52.4	PH9001-6474J
0.56	600V	1.0625	27.0	2.0625	52.4	PH9001-6564J
0.68	600V	1.0620	27.0	2.0625	52.4	PH9001-6684J
0.82	600V	1.3120	33.3	2.1250	54.0	PH9001-6824J
1.0	600V	1.3125	33.3	2.1250	54.0	PH9001-6105J
1.5	600V	1.6250	41.3	2.1250	54.0	PH9001-6155J
2.2	600V	1.8750	47.6	2.1250	54.0	PH9001-6225J
3.3	600V	2.1250	54.0	2.5000	63.5	PH9001-6335J
3.9	600V	2.2500	57.2	2.5000	63.5	PH9001-6395J
4.7	600V	2.2500	57.2	2.9375	74.6	PH9001-6475J

## SPECIFICATIONS

Tolerance: +/- 5% Operating Temperature: 80°C

Voltage: 600VDC

Dielectric: Paper & Wax

Pure Copper Foil – CDA-101

Lead wire: 99.99% Silver

0.001uf – 0.1uf = 20awg solid

0.22uf – 1.5uf = 18awg soild

2.2uf and up = 3x20awg

RoHS Compliant

Made in USA



# Copper Foil Paper-Wax 400V

μF	Voltage	Diameter		Length		Cat. No.
		Inches	mm	Inches	mm	
0.10	400V	0.563	14.3	1.000	25.4	PH9004-4104J
0.22	400V	0.562	14.3	1.313	33.3	PH9004-4224J
0.33	400V	0.750	19.1	1.313	33.3	PH9004-4334J
0.39	400V	0.750	19.1	1.313	33.3	PH9004-4394J
0.47	400V	0.813	20.6	1.375	34.9	PH9004-4474J
1.0	400V	1.063	27.0	1.875	47.6	PH9004-4105J
1.5	400V	1.063	27.0	2.063	52.4	PH9004-4155J
2.2	400V	1.313	33.3	2.125	54.0	PH9004-4225J
3.3	400V	1.750	44.5	2.125	54.0	PH9004-4335J
3.9	400V	1.750	44.5	2.500	63.5	PH9004-4395J
4.7	400V	1.875	47.6	2.500	63.5	PH9004-4475J

## SPECIFICATIONS

- Tolerance: +/- 5%
- Operating Temperature: 80°C
- Voltage: 400VDC
- Dielectric: Paper & Wax
- Pure Copper Foil – CDA-10
- Lead wire: 99.99% Silver
- 0.1uf - 0.39uf = 20awg solid
- 0.47uf - 2.2uf = 18awg solid
- 3.3uf and up = 3x20awg
- RoHS Compliant
- Made in USA



# Copper Foil Paper-Wax 100V

μF	Voltage	Diameter		Length		Cat. No.
		Inches	mm	Inches	mm	
0.01	100V	0.375	9.5	0.813	20.6	PH8001-1103J
0.10	100V	0.563	14.3	1.125	28.6	PH8001-1104J
1.0	100V	1.063	27.0	2.125	54.0	PH8001-1105J
1.5	100V	1.063	27.0	2.125	54.0	PH8001-1155J
2.2	100V	1.313	33.3	2.125	54.0	PH8001-1225J
3.3	100V	1.625	41.3	2.125	54.0	PH8001-1335J
3.9	100V	1.875	47.6	2.125	54.0	PH8001-1395J
4.7	100V	1.750	44.5	2.938	74.6	PH8001-1475J
5.0	100V	1.875	47.6	2.938	74.6	PH8001-1505J
5.3	100V	1.875	47.6	2.938	74.6	PH8001-1535J
5.6	100V	1.875	47.6	2.938	74.6	PH8001-1565J
6.0	100V	1.875	47.6	2.938	74.6	PH8001-1605J
6.8	100V	2.000	50.8	2.938	74.6	PH8001-1685J
8.0	100V	2.125	54.0	2.938	74.6	PH8001-1805J
8.2	100V	2.125	54.0	2.938	74.6	PH8001-1825J
10.0	100V	2.125	54.0	3.938	100.0	PH8001-1106J
11.0	100V	2.250	57.2	3.938	100.0	PH8001-1116J
12.0	100V	2.250	57.2	3.938	100.0	PH8001-1126J
15.0	100V	2.500	63.5	3.938	100.0	PH8001-1156J
18.0	100V	2.500	63.5	4.938	125.4	PH8001-1186J
20.0	100V	2.500	63.5	4.938	125.4	PH8001-1206J
22.0	100V	2.500	63.5	4.938	125.4	PH8001-1226J
33.0	100V	2.875	73.0	5.000	127.0	PH8001-1336J
47.0	100V	3.375	85.7	5.000	127.0	PH8001-1476J
50.0	100V	3.625	92.1	5.000	127.0	PH8001-1506J
80.0	100V	4.375	111.1	5.000	127.0	PH8001-1806J
100.0	100V	4.875	123.8	5.000	127.0	PH8001-1107J

## SPECIFICATIONS

- Tolerance: +/- 5%
- Operating Temperature: 80°C
- Voltage: 100VDC
- Dielectric: Paper & Wax
- Pure Copper Foil – CDA-101
- Lead wire: 99.99% Silver
- 0.01uf – 0.1uf = 20awg Solid
- 1.0uf - 18awg Solid
- 2.2uf and up = 3x20awg
- RoHS Compliant
- Made in USA



## VT Aluminum Foil Wax & Paper 100V

μF	Voltage	Diameter		Length		Cat. No.
		Inches	mm	Inches	mm	
1.0	100V	1.06	27.0	2.13	54.0	PH8002-1105J
1.5	100V	1.06	27.0	2.13	54.0	PH8002-1155J
2.2	100V	1.31	33.3	2.13	54.0	PH8002-1225J
3.3	100V	1.63	41.3	2.13	54.0	PH8002-1335J
3.9	100V	1.88	47.6	2.13	54.0	PH8002-1395J
4.7	100V	1.75	44.5	2.94	74.6	PH8002-1475J
5.0	100V	1.75	44.5	2.94	74.6	PH8002-1505J
5.3	100V	1.88	47.6	2.94	74.6	PH8002-1535J
5.6	100V	1.88	47.6	2.94	74.6	PH8002-1565J
6.0	100V	1.88	47.6	2.94	74.6	PH8002-1605J
6.8	100V	2.00	50.8	2.94	74.6	PH8002-1685J
8.0	100V	2.13	54.0	2.94	74.6	PH8002-1805J
8.2	100V	2.13	54.0	2.94	74.6	PH8002-1825J
10.0	100V	2.13	54.0	3.94	100.0	PH8002-1106J
11.0	100V	2.25	57.2	3.94	100.0	PH8002-1116J
12.0	100V	2.25	57.2	3.94	100.0	PH8002-1126J
15.0	100V	2.50	63.5	3.94	100.0	PH8002-1156J
18.0	100V	2.50	63.5	4.94	125.4	PH8002-1186J
20.0	100V	2.50	63.5	4.94	125.4	PH8002-1206J
22.0	100V	2.50	63.5	4.94	125.4	PH8002-1226J
33.0	100V	3.00	76.2	5.00	127.0	PH8002-1336J
47.0	100V	3.50	88.9	5.00	127.0	PH8002-1476J
50.0	100V	3.50	88.9	5.00	127.0	PH8002-1506J
80.0	100V	4.38	111.1	5.00	127.0	PH8002-1806J
100.0	100V	4.75	120.7	5.00	127.0	PH8002-1107J

### SPECIFICATIONS

Tolerance: +/- 5%

Operating Temperature: 80°C

Voltage: 100VDC

Dielectric: Paper & Wax

Pure Aluminum Foil

Leads: Tinned Copper OFC

0.01uf – 0.1uf = 20awg Solid

1.0uf and 1.5uf - 18awg Solid

2.2uf and up = 3x20awg

RoHS Compliant

Made in USA



# Yellow Vintage Tone 600V

μF	Voltage	Diameter		Length		Cat. No.
		Inches	mm	Inches	mm	
0.001	600V	0.28	7.1	0.75	19.1	WF4001-6102K
0.002	600V	0.30	7.6	0.75	19.1	WF4001-6202K
0.003	600V	0.30	7.6	0.75	19.1	WF4001-6302K
0.005	600V	0.32	8.1	0.75	19.1	WF4001-6502K
0.01	600V	0.31	7.9	0.75	19.1	WF4001-6103K
0.02	600V	0.35	8.9	0.75	19.1	WF4001-6203K
0.03	600V	0.36	9.1	0.75	19.1	WF4001-6303K
0.05	600V	0.36	9.1	1.00	25.4	WF4001-6503K
0.1	200V	0.34	8.6	0.75	19.1	WF4001-2104K
0.1	400V	0.41	10.4	0.75	19.1	WF4001-4104K
0.1	600V	0.46	11.7	1.00	25.4	WF4001-6104K
0.22	600V	0.52	13.2	1.38	34.9	WF4001-6224K
0.33	600V	0.65	16.5	1.38	34.9	WF4001-6334K
0.47	600V	0.76	19.3	1.38	34.9	WF4001-6474K
0.68	100V	0.53	13.5	1.38	34.9	WF4001-1684K

## SPECIFICATIONS

Modeled after the Yellow Astron and Blue Molded capacitors used in American amplifiers of the 50's and 60's.



Tolerance: +/-10% typically much closer.

Dielectric: Polyester Film

Pure Aluminum Foil

Operating temperature: -55C – 85C, derate 50% at 125C.

Leads: 20awg Tinned Copper OFC

RoHS Compliant

Made in USA



## Red Astron Style Capacitors

Red Astron µF	Voltage	Diameter		Length		Cat. No.
		Inches	mm	Inches	mm	
0.1	200V	0.38	9.5	1.19	30.2	PH4001-2104K
0.001	400V	0.38	7.9	1	25.4	PH4001-4102K
0.002	400V	0.38	7.9	1	25.4	PH4001-4202K
0.003	400V	0.38	7.9	1	25.4	PH4001-4302K
0.005	400V	0.38	7.9	1	25.4	PH4001-4502K
0.01	400V	0.38	9.5	1	25.4	PH4001-4103K
0.02	400V	0.38	9.5	1.19	30.2	PH4001-4203K
0.05	400V	0.38	9.5	1.19	30.2	PH4001-4503K
0.1	400V	0.5	12.7	1.63	41.3	PH4001-4104K
0.001	600V	0.38	7.9	1	25.4	PH4001-6102K
0.002	600V	0.38	7.9	1	25.4	PH4001-6202K
0.003	600V	0.38	7.9	1	25.4	PH4001-6302K
0.005	600V	0.38	7.9	1	25.4	PH4001-6502K
0.01	600V	0.38	9.5	1	25.4	PH4001-6103K
0.02	600V	0.38	9.5	1.19	30.2	PH4001-6203K
0.05	600V	0.38	9.5	1.19	30.2	PH4001-6503K
0.1	600V	0.5	12.7	1.63	41.3	PH4001-6104K
0.15	600V	0.63	15.9	1.88	47.6	PH4001-6154K
0.22	600V	0.63	15.9	1.88	47.6	PH4001-6224K
0.33	600V	0.63	15.9	1.88	47.6	PH4001-6334K
0.47	600V	0.75	19.1	1.88	47.6	PH4001-6474K

### SPECIFICATIONS

Tinfoil and Mylar- 1950's Construction, Warmer Tone Modeled after the legendary Red Astron Capacitors, our capacitors have similar style to the vintage capacitors to give a very authentic tone and look, yet with a high reliability and longevity. This phenolic case potted tinfoil and mylar capacitor yields a uniquely vintage tone perfect for guitar amplifiers and vintage audio amplifiers alike.



Tolerance: +/-10% typically much closer.

Dielectric: Polyester Film

Tin Foil

Operating temperature: -55C – 85C, derate 50% at 125C.

Leads: 20awg Tinned Copper OFC

RoHS Compliant

Made in USA



# Bumblebee

µF	Voltage	Diameter		Length		Cat. No.
		Inches	mm	Inches	mm	
0.015	400V	0.44	11.1	1.38	34.9	PH-8004-4153K
0.022	400V	0.44	11.1	1.38	34.9	PH-8004-4223K
0.033	400V	0.44	11.1	1.38	34.9	PH-8004-4333K
0.047	400V	0.44	11.1	1.38	34.9	PH-8004-4473K

## SPECIFICATIONS

Construction is accurate to the original materials used in the Bumblebee Capacitors, featuring a true hermetic seal, Aluminum Foil, Paper-in-Mineral Oil with tinned copper leads. Hand painted to reproduce the look and feel of the original Bumblebees.

### Aluminum Foil 400V

Voltage: 400VDC

Dielectric: Paper in Mineral Oil

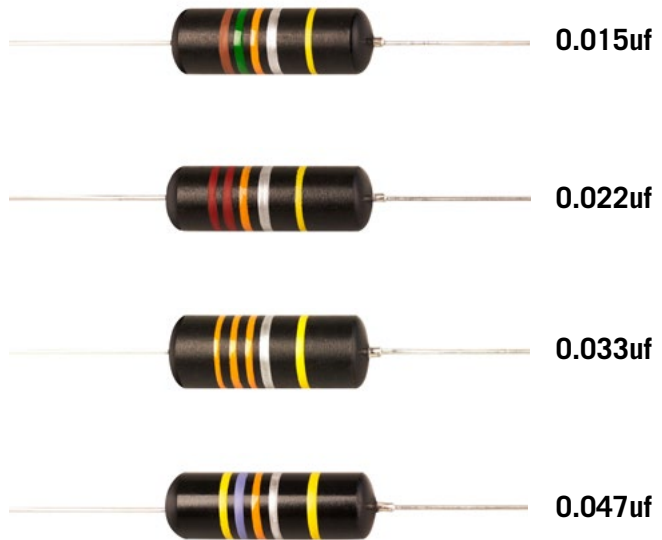
Tolerance: +/- 10% Operating

Temperature: 85°C

Leads: 20awg Tinned OFC Copper

RoHS Compliant

Made in USA





## Cosmos Electrolytic 500V

Inspired from and designs based on early American Wet Electrolytic capacitors used in audio amplifier, guitar amplifiers and pro audio applications.

uF	Voltage	Diameter		Length		Rated Oper. Temp.	Cat. No.
		Inches	mm	Inches	mm		
10	500V	0.492	12.97	1.5	38.1	85C	CA-M-500-106
22	500V	0.63	16	1.5	38.1	85C	CA-M-500-226
47	500V	0.875	22.23	1.625	41.28	105C	CA-F-500-476
100	500V	1	25.4	2.125	54	105C	CA-F-500-107

### SPECIFICATIONS



#### 500VDC - 10uf

Cat. No.: CA-M-500-106  
 Capacitance: 10uf  
 Tolerance M: +/- 20%  
 Voltage: 500VDC  
 ESR: 11.96 Ω Max.  
 DF: 9.02 % Max.  
 DC Leakage: 170.0 μA max.  
 5 minutes charge at rated voltage  
 Ripple at 120Hz: 0.118 Amps @ 65C \*  
 Rated Operation Temperature: 85C  
 Diameter: 0.492" (12.5mm)  
 Length: 1.5" (38mm)



#### 500VDC - 47uf

Cat. No.: CA-M-500-476  
 Capacitance: 47uf  
 Tolerance M: -10% - +50%  
 Voltage: 500VDC  
 ESR: 9.791 Ω Max.  
 DF: 34.70 % Max.  
 DC Leakage: 64 μA max. after  
 5 minutes charge at rated voltage  
 Ripple at 120Hz: 0.494 Amps @ 85C \*\*  
 Rated Operation Temperature: 85C  
 Diameter: 1.00" (25.4mm)  
 Length: 1.625" (41.3mm)



#### 500VDC - 22uf

Cat. No.: CA-M-500-226  
 Capacitance: 22uf  
 Tolerance M: +/- 20%  
 Voltage: 500VDC  
 ESR: 7.74 Ω Max.  
 DF: 12.84 % Max.  
 DC Leakage: 350 μA max. after  
 5 minutes charge at rated voltage  
 Ripple at 120Hz: 0.173 Amps @ 65C \*  
 Rated Operation Temperature: 85C  
 Diameter: 0.63" (16mm)  
 Length: 1.5" (38mm)



#### 500VDC - 100uf

Cat. No.: CA-M-500-107  
 Capacitance: 100uf  
 Tolerance M: -10% - +50%  
 Voltage: 500VDC  
 ESR: 4.552 Ω Max.  
 DF: 34.32 % Max.  
 DC Leakage: 93.5 μA max. after  
 5 minutes charge at rated voltage  
 Rated Operation Temperature: 85C  
 Ripple at 120Hz: 0.872 Amps @ 85C \*\*  
 Diameter: 1.00" (25.4mm)  
 Length: 2.125" (54mm)

\*Cosmos rated at 85°C, the ripple current is referenced from 85°C with a multiplier of 1. There are no multipliers for higher temperatures and lowering the temperature increases the allowable ripple current per the multiplier listed (e.g. 1.7 at 65°C).

\*\*Cosmos rated at 105°C also references 85°C for the ripple current. In this case, lowering the temperature to 65°C has a multiplier of 1.4, while increasing to 105°C has a multiplier of 0.40.



# Cosmos Electrolytic 350V

uF	Voltage	Diameter		Length		Rated Oper. Temp.	Cat. No.
		Inches	mm	Inches	mm		
100	350V	1	25.4	1.625	41.28	85C	CA-F-350-107

## SPECIFICATIONS



### 350V - 100uf

Cat. No.: CA-F-350-107

Capacitance: 100uf

Tolerance F: -10% +50%

Voltage: 350VDC

ESR: 1.60 Ω Max.

DF: 12.06 % Max.

DC Leakage: 1122.5 μA max. after  
5 minutes charge at rated voltage

Ripple at 120Hz: 0.499 Amps @ 65C \*

Rated Operation Temperature: 85C

Diameter: 1.00" (25.4mm)

Length: 1.625" (41.3mm)

\*Cosmos rated at 85°C, the ripple current is referenced from 85°C with a multiplier of 1. There are no multipliers for higher temperatures and lowering the temperature increases the allowable ripple current per the multiplier listed (e.g. 1.7 at 65°C).



# Cosmos Electrolytic 100V

uF	Voltage	Diameter		Length		Rated Oper. Temp.	Cat. No.
		Inches	mm	Inches	mm		
10	100V	0.25	6.35	0.69	17.93	85C	CA-M-100-106
47	100V	0.375	9.53	0.95	24.13	85C	CA-M100-476

## SPECIFICATIONS



### 100V - 10uf

Cat. No.: CA-M-100-106  
 Capacitance: 10uf  
 Tolerance M: +/- 20%  
 Voltage: 100VDC  
 ESR: 13.2 Ω Max.  
 DF: 9.95 % Max.  
 DC Leakage: 22.5 μA max. after  
 5 minutes charge at rated voltage  
 Ripple at 120Hz: 0.061 Amps @ 65C \*  
 Rated Operation Temperature: 85C  
 Diameter: 0.276" (6.3mm)  
 Length: 0.69" (17.5mm)



### 100V - 47uf

Cat. No.: CA-M-100-476  
 Capacitance: 47uf  
 Tolerance M: +/- 20%  
 Voltage: 100VDC  
 ESR: 3.3 Ω Max.  
 DF: 11.7 % Max.  
 DC Leakage: 57 μA max. after  
 5 minutes charge at rated voltage  
 Ripple at 120Hz: 0.173 Amps @ 65C \*  
 Rated Operation Temperature: 85C  
 Diameter: 0.374" (9.5mm)  
 Length: 0.945" (24mm)

\*Cosmos rated at 85°C, the ripple current is referenced from 85°C with a multiplier of 1. There are no multipliers for higher temperatures and lowering the temperature increases the allowable ripple current per the multiplier listed (e.g. 1.7 at 65°C).



## Cosmos Electrolytic 50V

uF	Voltage	Diameter		Length		Rated Oper. Temp.	Cat. No.
		Inches	mm	Inches	mm		
25	50V	0.315	8.00	0.69	17.50	85C	CA-M-050-256
33	50V	0.315	8.00	0.69	17.50	85C	CA-M-050-336
50	50V	0.315	8.00	0.81	20.58	85C	CA-M-050-506

### SPECIFICATIONS



#### 50V - 25uf

Cat. No.: CA-M-050-256  
 Capacitance: 25uf  
 Tolerance M: +/- 20%  
 Voltage: 50VDC  
 ESR: 15.19  $\Omega$  Max.  
 DF: 28.63 % Max.  
 DC Leakage: 22.5  $\mu$ A max. after  
 5 minutes charge at rated voltage  
 Ripple at 120Hz: 0.121 Amps @ 65C \*  
 Rated Operation Temperature: 85C  
 Diameter: 0.315" (8mm)  
 Length: 0.69" (17.5mm)



#### 50V - 50uf

Cat. No.: CA-M-050-506  
 Capacitance: 50uf  
 Tolerance M: +/- 20%  
 Voltage: 50VDC  
 ESR: 2.637  $\Omega$  Max.  
 DF: 9.94 % Max.  
 DC Leakage: 35  $\mu$ A max. after  
 5 minutes charge at rated voltage  
 Ripple at 120Hz: 0.176 Amps @ 65C \*  
 Rated Operation Temperature: 85C  
 Diameter: 0.315" (8mm)  
 Length: 0.807" (20.5mm)



#### 50V - 33uf

Cat. No.: CA-M-050-336  
 Capacitance: 33uf  
 Tolerance M: +/- 20%  
 Voltage: 50VDC  
 ESR: 3.98  $\Omega$  Max.  
 DF: 9.90 % Max.  
 DC Leakage: 26.5  $\mu$ A max. after  
 5 minutes charge at rated voltage  
 Ripple at 120Hz: 0.124 Amps @ 65C \*  
 Rated Operation Temperature: 85C  
 Diameter: 0.315" (8mm)  
 Length: 0.69" (17.5mm)

\*Cosmos rated at 85°C, the ripple current is referenced from 85°C with a multiplier of 1. There are no multipliers for higher temperatures and lowering the temperature increases the allowable ripple current per the multiplier listed (e.g. 1.7 at 65°C).



# Cosmos Electrolytic 25V

uF	Voltage	Diameter		Length		Rated Oper. Temp.	Cat. No.
		Inches	mm	Inches	mm		
25	25V	0.25	6.35	0.512	13	85C	CA-M-025-256
100	25V	0.315	8	0.81	20.58	85C	CA-M-025-107
250	25V	0.375	9.53	0.945	24	85C	CA-M-025-257

## SPECIFICATIONS



### 25V - 25uf

Cat. No.: CA-M-025-256  
 Capacitance: 25uf  
 Tolerance M: +/- 20%  
 Voltage: 25VDC  
 ESR: 18.60 Ω Max.  
 DF: 35.06 % Max.  
 DC Leakage: 16.2 μA max. after  
 5 minutes charge at rated voltage  
 Ripple at 120Hz: 0.080 Amps @ 65C \*  
 Rated Operation Temperature: 85C  
 Diameter: 0.248" (6.3mm)  
 Length: 0.512" (13mm)



### 25V - 250uf

Cat. No.: CA-M-025-257  
 Capacitance: 250uf  
 Tolerance M: +/- 20%  
 Voltage: 25VDC  
 ESR: 1.764 Ω Max.  
 DF: 33.25 % Max.  
 DC Leakage: 72.5 μA max. after  
 5 minutes charge at rated voltage  
 Ripple at 120Hz: 0.408 Amps @ 65C \*  
 Rated Operation Temperature: 85C  
 Diameter: 0.374" (9.5mm)  
 Length: 0.945" (24mm)



### 25V - 100uf

Cat. No.: CA-M-025-107  
 Capacitance: 100uf  
 Tolerance M: +/- 20%  
 Voltage: 25VDC  
 ESR: 3.520 Ω Max.  
 DF: 26.54 % Max.  
 DC Leakage: 35.0 μA max. after  
 5 minutes charge at rated voltage  
 Ripple at 120Hz: 0.218 Amps @ 65C \*  
 Rated Operation Temperature: 85C  
 Diameter: 0.315" (8mm)  
 Length: 0.81" (24mm)

\*Cosmos rated at 85°C, the ripple current is referenced from 85°C with a multiplier of 1. There are no multipliers for higher temperatures and lowering the temperature increases the allowable ripple current per the multiplier listed (e.g. 1.7 at 65°C).



## Vitamin-Q Silver Foil

μF	Voltage	Diameter		Length		Cat. No.
		Inches	mm	Inches	mm	
0.01	600V	0.375	9.5	0.813	20.6	TH7004-6103K
0.1	600V	0.67	17	1.19	30.3	TH7004-6104K

### SPECIFICATIONS



Hermetically Sealed Silver Foil  
Paper-in-Vitamin-Q Oil Capacitors

Tolerance: +/- 10%

Operating Temperature: 85°C

Voltage: 600VDC

Pure Silver Foil

Dielectric: Paper-in-Oil

Oil Type: Vitamin-Q

Leads: Pure Silver Wire 5N

Made in the USA of materials  
from USA and Germany.



## Vitamin-Q Aluminum Foil

μF	Voltage	Diameter		Length		Cat. No.
		Inches	mm	Inches	mm	
0.01	600V	0.375	9.5	0.813	20.6	TH8001-6103K
0.015	600V	0.375	20.6	0.813	20.6	TH8001-6153K
0.022	600V	0.375	20.6	0.813	20.6	TH8001-6223K
0.033	600V	0.375	20.6	0.813	20.6	TH8001-6333K
0.047	600V	0.375	20.6	0.813	20.6	TH8001-6473K

### SPECIFICATIONS



Hermetically Sealed Aluminum Foil  
Paper-in-Vitamin-Q Oil Capacitors

Tolerance: +/- 10%

Operating Temperature: 85°C Voltage: 600VDC

Pure Aluminum Foil Dielectric: Paper-in-Oil

Oil Type: Vitamin-Q

Leads: Tinned Copper OFC

Made in the USA



## Comet Silver Foil

μF	Voltage	Diameter		Length		Cat. No.
		Inches	mm	Inches	mm	
0.01	600V	0.375	9.5	0.813	20.6	TH7005-6103K
0.1	600V	0.67	17	1.19	30.3	TH7005-6104K

### SPECIFICATIONS

Hermetically Sealed Silver Foil Paper-in-Oil Capacitors

Tolerance: +/- 10%

Operating Temperature: 85°C

Voltage: 600VDC

Pure Silver Foil

Dielectric: Paper in Oil

Oil Type: Mineral Oil

Leads: Pure Silver Wire 5N

Made in the USA of materials from USA and Germany.





## Comet Aluminum Foil

μF	Voltage	Diameter		Length		Cat. No.
		Inches	mm	Inches	mm	
0.01	600V	0.375	9.5	0.813	20.6	TH8002-6103K
0.015	600V	0.375	20.6	0.813	20.6	TH8002-6153K
0.022	600V	0.375	20.6	0.813	20.6	TH8002-6223K
0.033	600V	0.375	20.6	0.813	20.6	TH8002-333K
0.047	600V	0.375	20.6	0.813	20.6	TH8002-6473K
0.1	600V	0.67	17.8	1.438	35.6	TH8002-6104K

### SPECIFICATIONS



Hermetically Sealed Aluminum Foil  
Paper-in-Oil Capacitors

Tolerance: +/- 10%

Operating Temperature: 85°C

Voltage: 600VDC

Pure Aluminum Foil

Dielectric: Paper in Oil

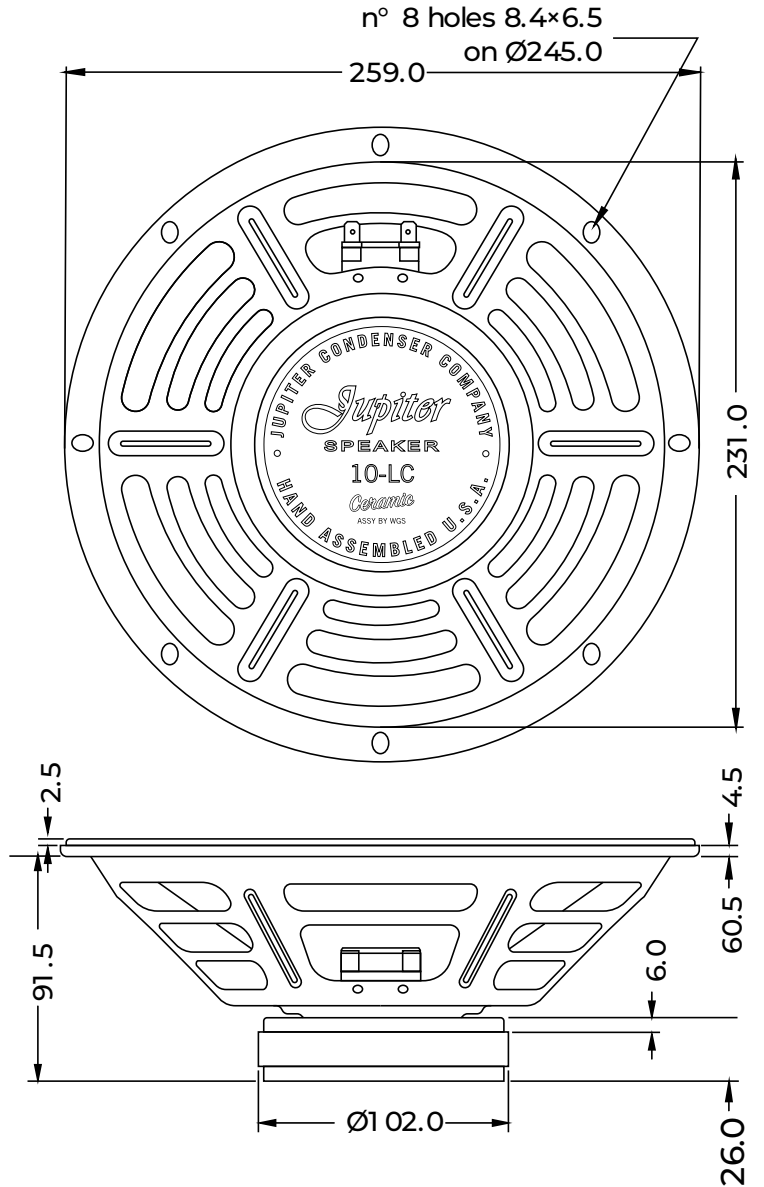
Oil Type: Mineral Oil

Leads: Tinned Copper OFC

Made in the USA



# 10-LC

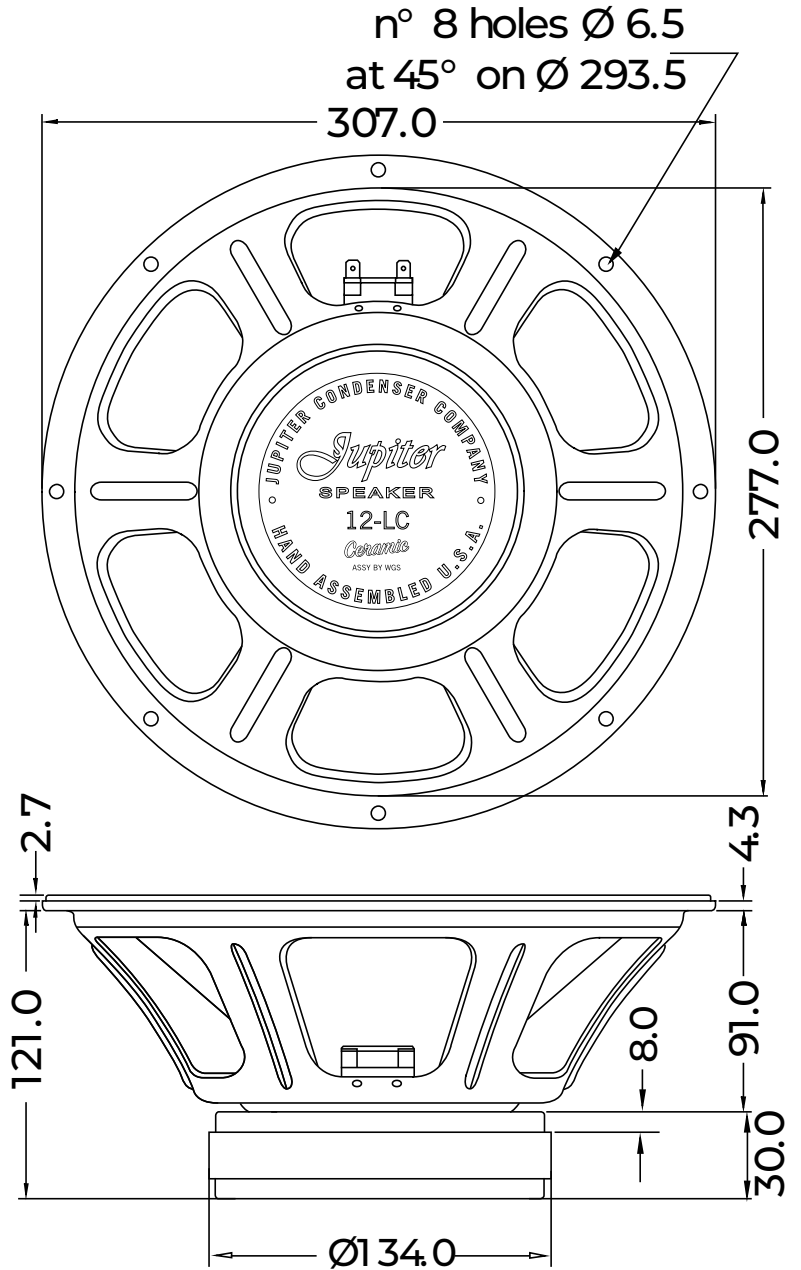


## SPECIFICATIONS

text here text here text here text here text here text here  
 here text here text here text here text here text here  
 text here text here text here text here text here text here  
 here text here text here text here text here text here  
 text here text here text here text here text here text here  
 here text here text here text here text here text here  
 text here text here text here text here text here text here  
 here text here text here text here text here text here  
 text here text here text here text here text here text here



# 12-LC

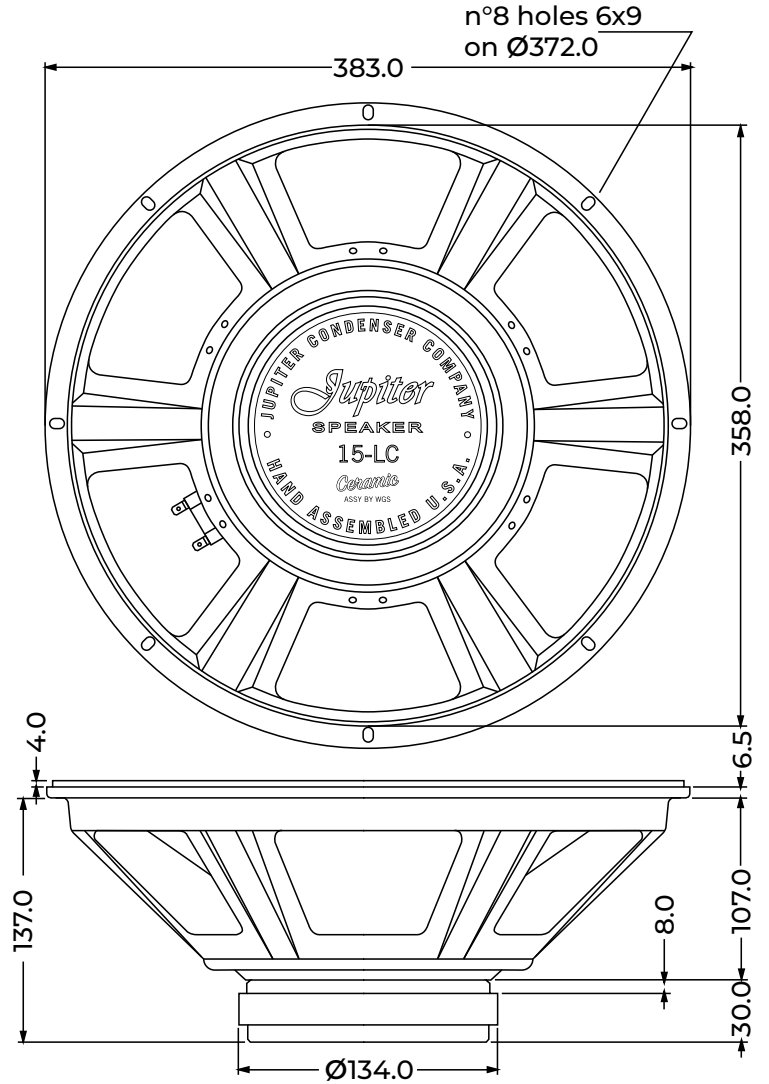


## SPECIFICATIONS

text here text here text here text here text here text here  
 here text here text here text here text here text here  
 text here text here text here text here text here text here  
 here text here text here text here text here text here  
 text here text here text here text here text here text here  
 here text here text here text here text here text here  
 text here text here text here text here text here text here  
 here text here text here text here text here text here  
 text here text here text here text here text here text here  
 here text here text here text here text here text here



# 15-LC

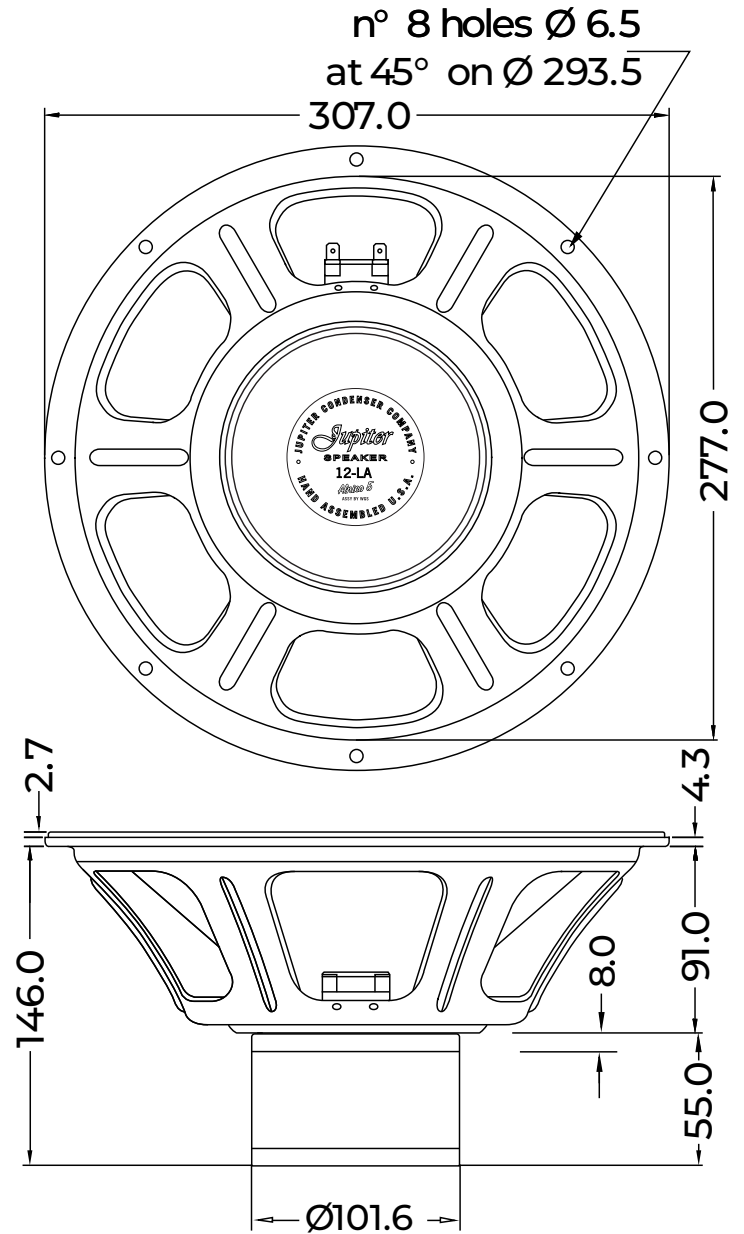


## SPECIFICATIONS

text here text here text here text here text here text here  
 text here text here text here text here text here text here  
 text here text here text here text here text here text here  
 text here text here text here text here text here text here  
 text here text here text here text here text here text here  
 text here text here text here text here text here text here  
 text here text here text here text here text here text here  
 text here text here text here text here text here text here  
 text here text here text here text here text here text here



# 12-LA

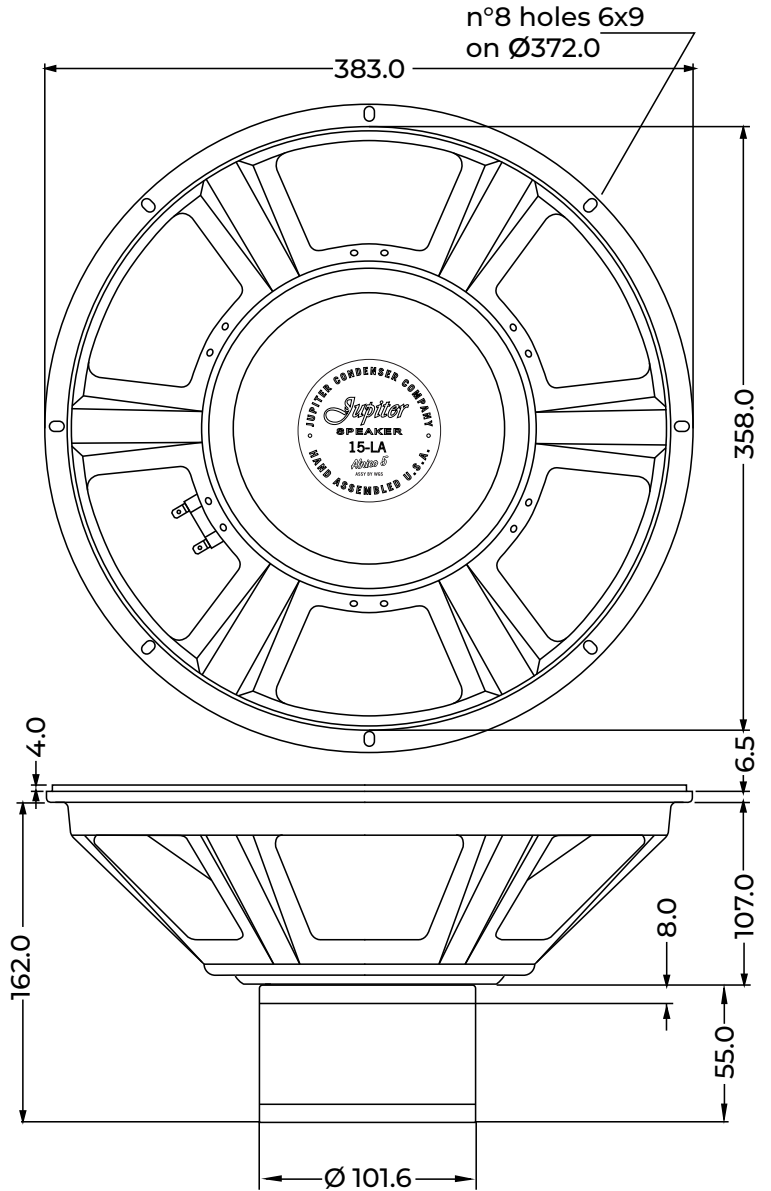


## SPECIFICATIONS

text here text here text here text here text here text here  
 here text here text here text here text here text here  
 text here text here text here text here text here text here  
 here text here text here text here text here text here  
 text here text here text here text here text here text here  
 here text here text here text here text here text here  
 text here text here text here text here text here text here  
 here text here text here text here text here text here  
 text here text here text here text here text here text here



# 15-LA

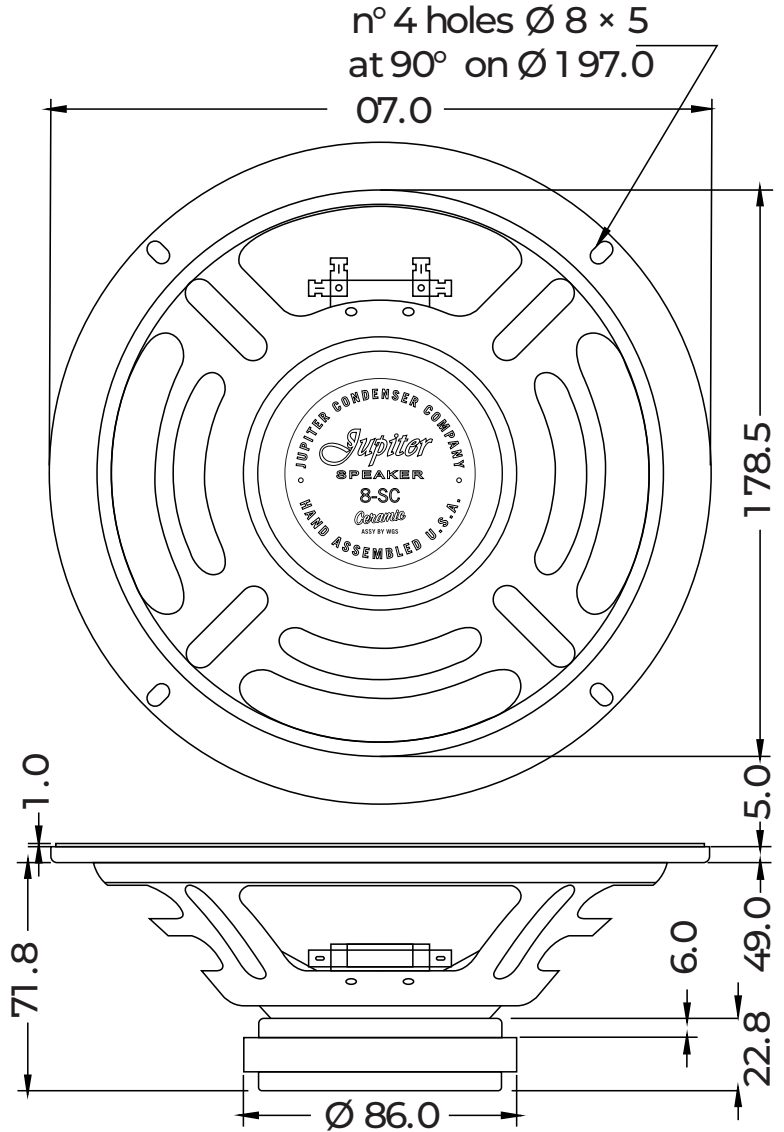


## SPECIFICATIONS

text here text here text here text here text here text here  
 here text here text here text here text here text here  
 text here text here text here text here text here text here  
 here text here text here text here text here text here  
 text here text here text here text here text here text here  
 here text here text here text here text here text here  
 text here text here text here text here text here text here  
 here text here text here text here text here text here  
 text here text here text here text here text here text here  
 here text here text here text here text here text here



**8-SC**



**SPECIFICATIONS**

text here text here text here text here text here text here  
 here text here text here text here text here text here  
 text here text here text here text here text here text here  
 here text here text here text here text here text here  
 text here text here text here text here text here text here  
 here text here text here text here text here text here  
 text here text here text here text here text here text here  
 here text here text here text here text here text here  
 text here text here text here text here text here text here  
 here text here text here text here text here text here





## 10-SC



### SPECIFICATIONS

---

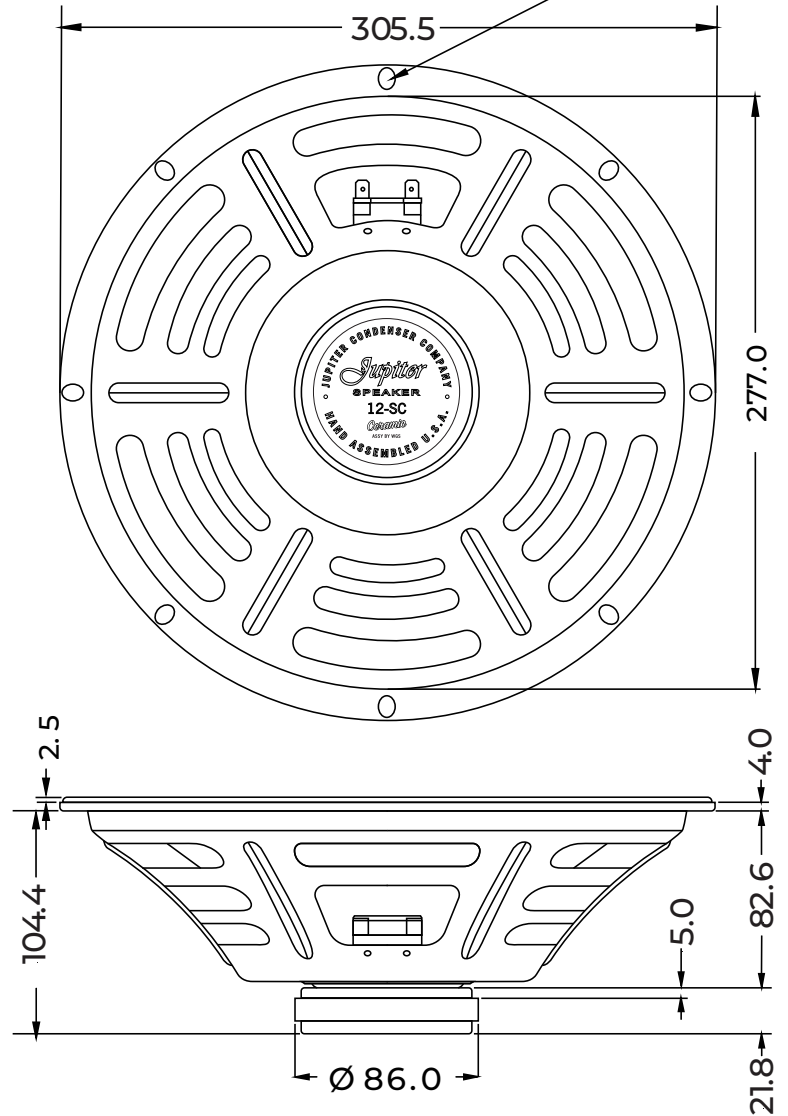
text here text here text here text here text here text  
here text here text here text here text here text here  
text here text here text here text here text here text  
here text here text here text here text here text here  
text here text here text here text here text here text  
here text here text here text here text here text here  
text here text here text here text here text here text  
here text here text here text here text here text here  
text here text here text here text here text here text  
here text here text here text here text here text here  
text here text here text here text here text here text  
here text here text here text here text here text here





**12-SC**

• n° 8 holes 9×6.5  
at 45° on Ø298.5



**SPECIFICATIONS**

text here text here text here text here text here text here  
 here text here text here text here text here text here  
 text here text here text here text here text here text here  
 here text here text here text here text here text here  
 text here text here text here text here text here text here  
 here text here text here text here text here text here  
 text here text here text here text here text here text here  
 here text here text here text here text here text here  
 text here text here text here text here text here text here  
 here text here text here text here text here text here



## Jupiter Wiring Cable

AWG	Color	Outside Diameter		Cat. No.
		Inches	mm	
16awg	Red	0.088	2.235	W-16TC26LC-R
16awg	Black	0.088	2.235	W-12TC65LC-B
12awg	Black	0.12	3.048	W-12TC65LC-R
12awg	Black	0.12	3.048	W-12TC65LC-B

Jupiter Wire and Cable products are made from high purity metals are made in U.S.A., with natural cotton or silk insulation.



**Laquered Cotton Black**



**Laquered Cotton Red**

