

SYDNEY GAS LOG FIRE CLEARANCE CENTRE



MILLENIUM SERIES

MILLENIUM 33

You can now enjoy the atmosphere of a crackling log fire at the push of a button. The Millenium collection is one of the worlds most advanced gas log fires, featuring our unique Pyroglow logs, which are free of ceramic and asbestos fibre, providing the most realistic flame and log appearance on the market today. The Millenium 33 can heat 8 to 10 squares utilising a 3 speed twin barrel fan, one of its major advantages is that it is ideal for any application and can be built into a plaster or MDF surround. The large panoramic bay window provides an unparalleled viewing area, whilst its high efficiency design leads to considerably lower running costs. The extra heavy duty 3mm thick firebox guarantees longer life while the simple and easy to use controls provide for many years of trouble free operation.

FACTORY DIRECT **PRICE**

AVAILABLE FINISHES

- | | | | |
|---|-----------|---|--------------|
|  | CHAMPAGNE |  | MARCASITE |
|  | MOCHA |  | SILVER STONE |

INSTALLATION

The Ultimate Esprit range of gas log fires have been designed for easy installation by a qualified gasfitter only in accordance with Australian standards AS5601 - 2002, AG601 - 2002. All models can be installed without the expense of a permanent hearth. AGA APPROVAL NO: 6286

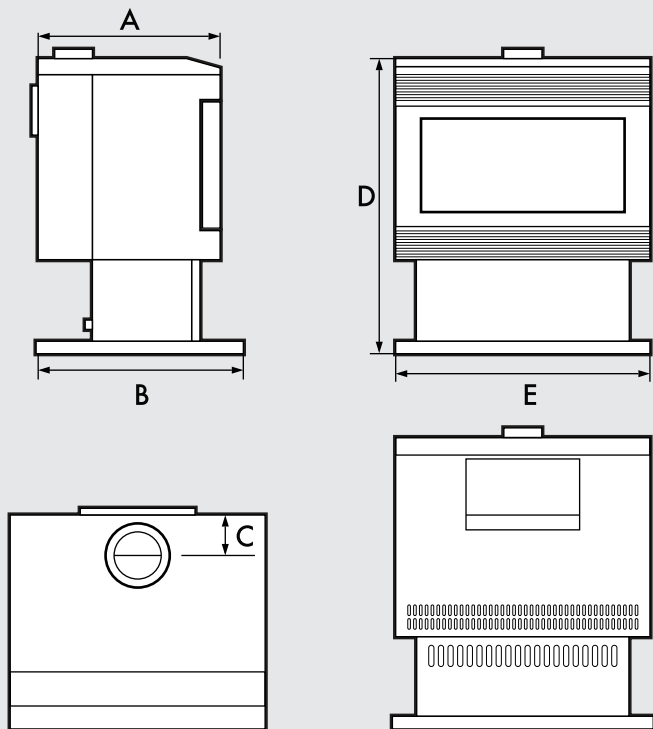
WARRANTY

All Ultimate Esprit Gas Log Fires come with a 10 year firebox warranty. For full details, refer to the warranty section of the owners manual.

SPECIFICATIONS

MODEL	UGL33NG	UGL40NG	UGL33LP	UGL40LP
GAS TYPE	NAT	NAT	LP	LP
GAS CONSUMPTION	33	40	28	37
MANIFOLD PRESSURE KPA	.83	.73	1.25	2.25
INJECTOR SIZE	3.0	3.8	1.8	1.8
MAX OUTPUT KW/H	7.19	8.6	5.74	7.58
AVERAGE EFFICIENCY %	76.1	77.9	72	72

DIMENSIONS



ULTIMATE MILLENNIUM 33

MILLENNIUM 33 A 496mm B 552mm C 110mm D 750mm E 670mm

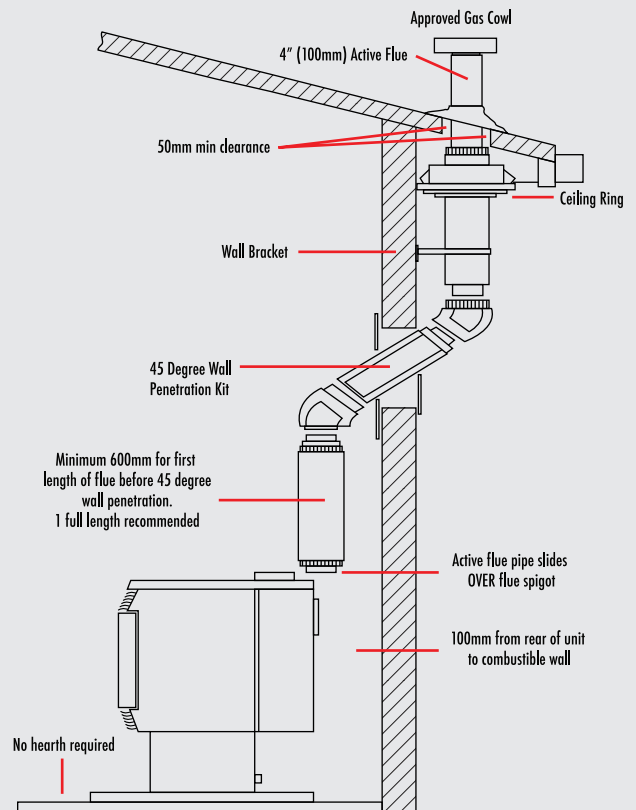
A slight reduction in performance may result through high ceilings, large glass areas, lack of insulation or drafts. Ultimate distribution reserves the right to alter specifications without notice. Photos are for illustrative purposes only. Colours may vary due to the printing process.

HEATER DIMENSIONS

HEIGHT	DEPTH	WIDTH	WEIGHT	CENTRE OF FLUE TO REAR OF UNIT
750mm	496mm	670mm	100kg	110mm

TYPICAL INSTALLATION

EXAMPLE EXTERNAL INSTALLATION



EXAMPLE INTERNAL INSTALLATION

