

# SYDNEY GAS LOG FIRE CLEARANCE CENTRE



## ESPRIT SERIES



## ULTIMATE ESPRIT 69

The Esprit 69 is the larger version of our fireplace insert models and offers the latest styling in gas log fires at a very affordable price. Made in Australia, the Esprit 69 can heat upto 15 squares and has the largest glass viewing area in its class. It also features a 3 speed twin barrel fan for superior performance, the same optional multi function remote as the Esprit 62 and can be easily installed into an existing fireplace or through a plaster wall.

**FACTORY DIRECT PRICE**

### AVAILABLE FINISHES

- |   |           |   |              |
|---|-----------|---|--------------|
|  | CHAMPAGNE |  | MARCASITE    |
|  | MOCHA     |  | SILVER STONE |

# INSTALLATION

The Ultimate Millenium range of gas log fires have been designed for easy installation by a qualified gasfitter only in accordance with Australian standards AS5601 - 2002, AG601 - 2002. All models can be installed without the expense of a permanent hearth. AGA APPROVAL NO: 6286

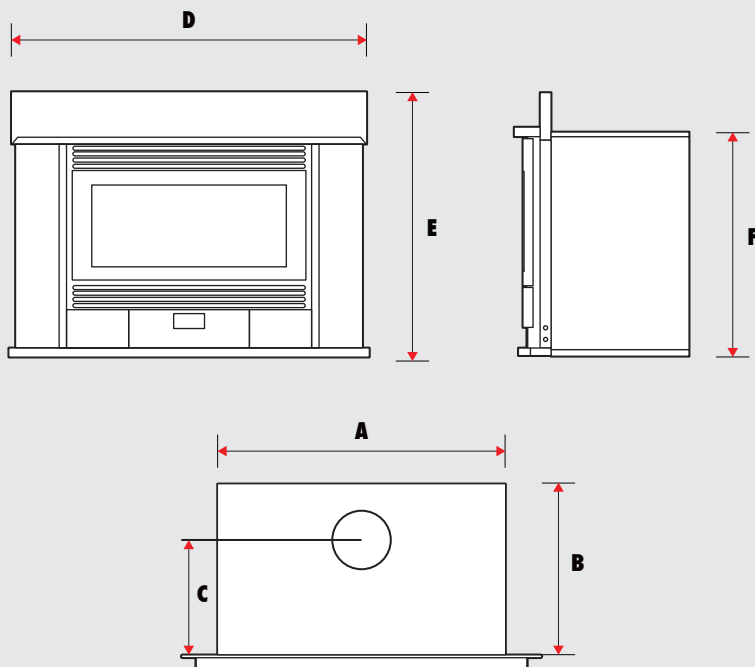
## WARRANTY

All Ultimate Esprit Gas Log Fires come with a 10 year firebox warranty. For full details, refer to the warranty section of the owners manual.

## SPECIFICATIONS

MODEL	UGL62NG	UGL69NG	UGL62LP	UGL69LP
GAS TYPE	NAT	NAT	LP	LP
GAS CONSUMPTION	32	40	29	37
MANIFOLD PRESSURE KPA	0.95	0.85	1.4	2.25
INJECTOR SIZE	3.0	3.8	1.8	1.8
MAX OUTPUT KW/H	7.11	8.38	6.3	7.91
AVERAGE EFFICIENCY %	76.9	75.9	78.6	77.8

## DIMENSIONS



### ULTIMATE ESPRIT 69

ESPRIT 69 A 800mm B 435mm C 345mm D 1120mm E 812mm F 693mm

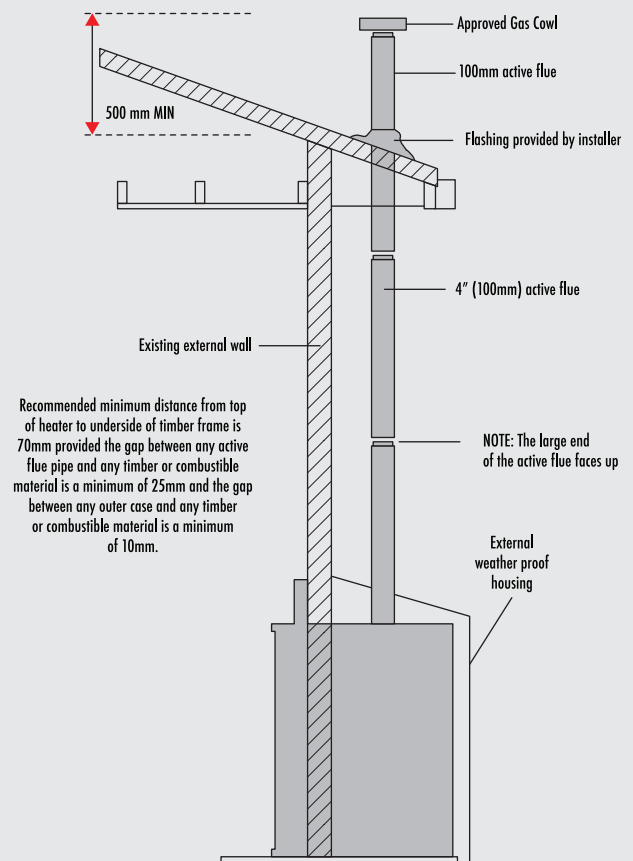
A slight reduction in performance may result through high ceilings, large glass areas, lack of insulation or drafts. Ultimate distribution reserves the right to alter specifications without notice. Photos are for illustrative purposes only. Colours may vary due to the printing process.

### HEATER DIMENSIONS

	HEIGHT	DEPTH	WIDTH	WEIGHT	FRONT FASCIA TO CENTRE FLUE
REAR CASING	693mm	435mm	800mm	120kg	345mm
FASCIA	812mm		1120mm		

# TYPICAL INSTALLATION

## EXAMPLE EXTERNAL INSTALLATION



## EXAMPLE INTERNAL INSTALLATION

