

SYDNEY GAS LOG FIRE CLEARANCE CENTRE



ESPRIT SERIES

ULTIMATE ESPRIT 63

The state of the art Esprit 63 is an exciting new addition to the Ultimate gas log fire range. This contemporary freestanding gas heater is available in a choice of 4 colours and has been designed to enhance any decor. It offers all the benefits of a slow combustion wood fire combined with the convenience and economical performance of gas.

The Esprit 63 features a twin barrel 3 speed fan for even heat distribution and can comfortably heat up to 10 squares. The huge glass viewing area gives an uninterrupted view of our unique Pyroglow gas logs, while the simple and easy to use controls ensure many years of trouble free operation. The Esprit 63 also offers the choice of an optional programmable remote control, which will maintain the desired room temperature without the need for a separate thermostat.

FACTORY DIRECT **PRICE**

AVAILABLE FINISHES



CHAMPAGNE



MARCASITE



MOCHA



SILVER STONE

INSTALLATION

The Ultimate Esprit range of gas log fires have been designed for easy installation by a qualified gasfitter only in accordance with Australian standards AS5601 - 2002, AG601 - 2002. All models can be installed without the expense of a permanent hearth. AGA APPROVAL NO: 6286

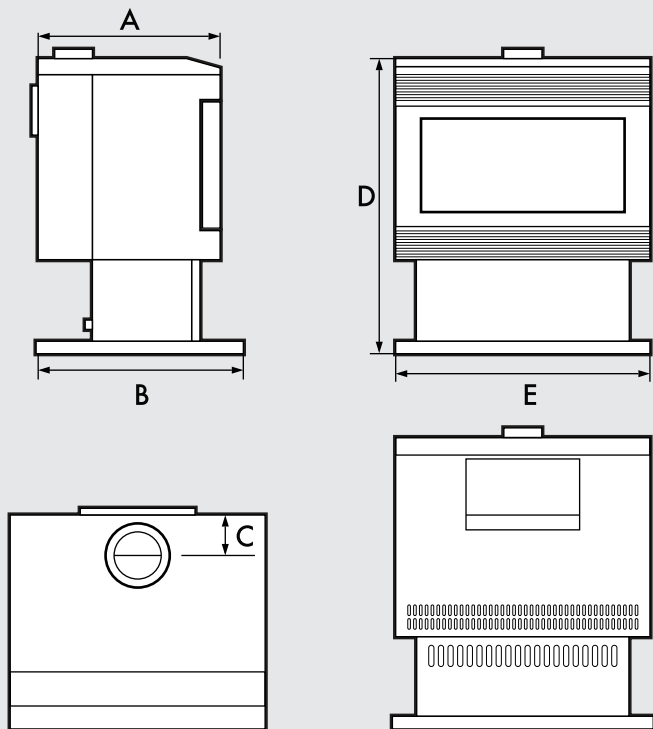
WARRANTY

All Ultimate Esprit Gas Log Fires come with a 10 year firebox warranty. For full details, refer to the warranty section of the owners manual.

SPECIFICATIONS

MODEL	EGL63NG	EGL70NG	EGL63LP	EGL70LP
GAS TYPE	NAT	NAT	LP	LP
GAS CONSUMPTION	33	40	28	37
MANIFOLD PRESSURE KPA	.83	.73	1.25	2.25
INJECTOR SIZE	3.0	3.8	1.8	1.8
MAX OUTPUT KW/H	7.19	8.6	5.74	7.58
AVERAGE EFFICIENCY %	76.1	77.9	72	72

DIMENSIONS



ULTIMATE ESPRIT 63

ESPRIT 63 A 478mm B 549mm C 110mm D 750mm E 670mm

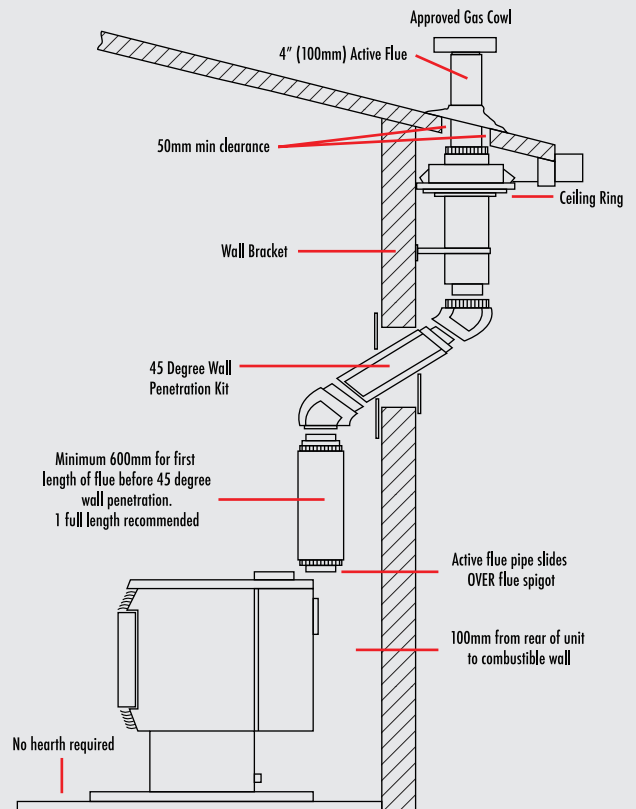
A slight reduction in performance may result through high ceilings, large glass areas, lack of insulation or drafts. Ultimate distribution reserves the right to alter specifications without notice. Photos are for illustrative purposes only. Colours may vary due to the printing process.

HEATER DIMENSIONS

HEIGHT	DEPTH	WIDTH	WEIGHT	CENTRE OF FLUE TO REAR OF UNIT
750mm	478mm	670mm	100kg	110mm

TYPICAL INSTALLATION

EXAMPLE EXTERNAL INSTALLATION



EXAMPLE INTERNAL INSTALLATION

