

# SYDNEY GAS LOG FIRE CLEARANCE CENTRE



## ESPRIT SERIES



## ULTIMATE ESPRIT 62

Made in Australia, the state of the art Esprit 62 is an exciting new addition to the Ultimate gas log fire range and is available in a choice of 4 decorator colours. This beautifully styled heater has been designed to be installed into new or existing fireplaces, facades or even through an exterior wall in either contemporary or classic homes with minimal clearances to combustible materials.

It has a 3 speed twin barrel fan that ensures heat is evenly distributed through the home and will heat up to 10 squares comfortably. The Esprit 62 features our unique Pyroglow gas logs offering the most realistic flame and log appearance on the market today together with an optional programmable remote control with on/off, sleep timer mode, and thermostatic control which will maintain the desired room temperature without the need for a separate thermostat.

**FACTORY DIRECT PRICE**

### AVAILABLE FINISHES

- |   |           |   |              |
|---|-----------|---|--------------|
|  | CHAMPAGNE |  | MARCASITE    |
|  | MOCHA     |  | SILVER STONE |

# INSTALLATION

The Ultimate Millenium range of gas log fires have been designed for easy installation by a qualified gasfitter only in accordance with Australian standards AS5601 - 2002, AG601 - 2002. All models can be installed without the expense of a permanent hearth. AGA APPROVAL NO: 6286

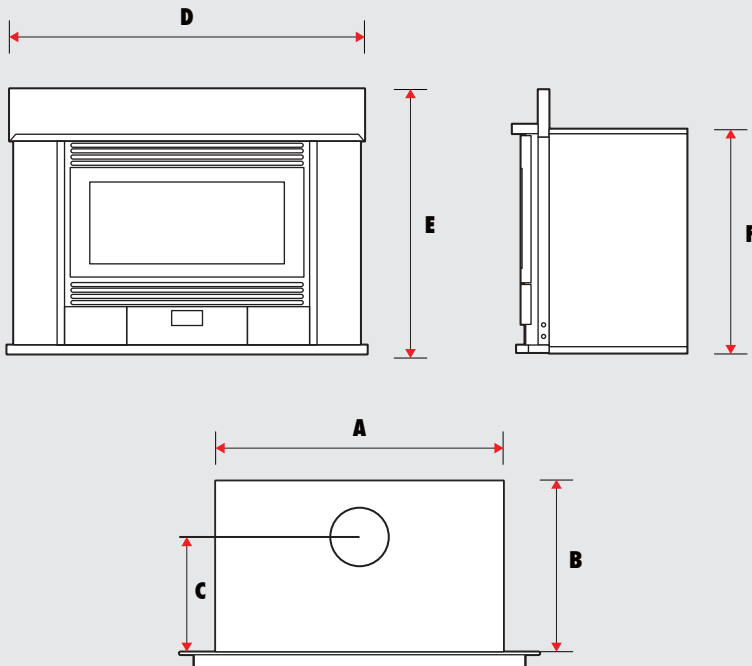
## WARRANTY

All Ultimate Esprit Gas Log Fires come with a 10 year firebox warranty. For full details, refer to the warranty section of the owners manual.

## SPECIFICATIONS

MODEL	UGL62NG	UGL69NG	UGL62LP	UGL69LP
GAS TYPE	NAT	NAT	LP	LP
GAS CONSUMPTION	32	40	29	37
MANIFOLD PRESSURE KPA	0.95	0.85	1.4	2.25
INJECTOR SIZE	3.0	3.8	1.8	1.8
MAX OUTPUT KW/H	7.11	8.38	6.3	7.91
AVERAGE EFFICIENCY %	76.9	75.9	78.6	77.8

## DIMENSIONS



### ULTIMATE ESPRIT 62

ESPRIT 62 A 700mm B 435mm C 353mm D 1020mm E 762mm F 643mm

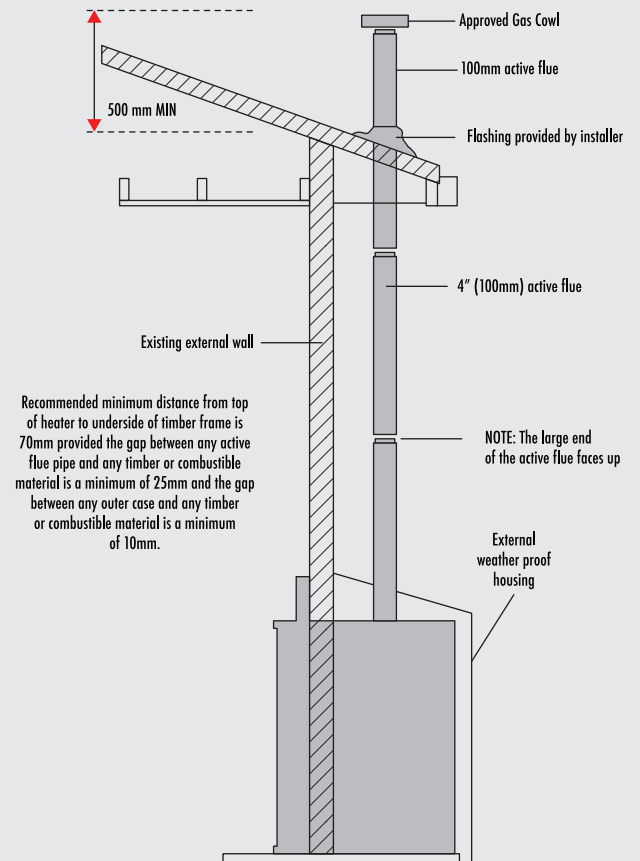
A slight reduction in performance may result through high ceilings, large glass areas, lack of insulation or drafts. Ultimate distribution reserves the right to alter specifications without notice. Photos are for illustrative purposes only. Colours may vary due to the printing process.

### HEATER DIMENSIONS

	HEIGHT	DEPTH	WIDTH	WEIGHT	FRONT FASCIA TO CENTRE FLUE
REAR CASING	643mm	435mm	700mm	100kg	345mm
FASCIA	762mm		1020mm		

# TYPICAL INSTALLATION

## EXAMPLE EXTERNAL INSTALLATION



## EXAMPLE INTERNAL INSTALLATION

