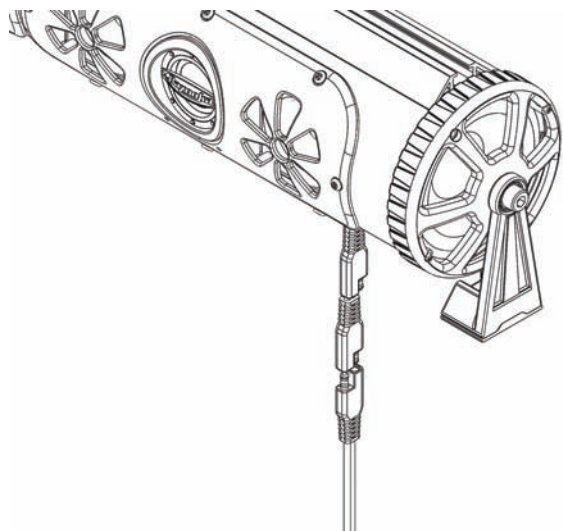


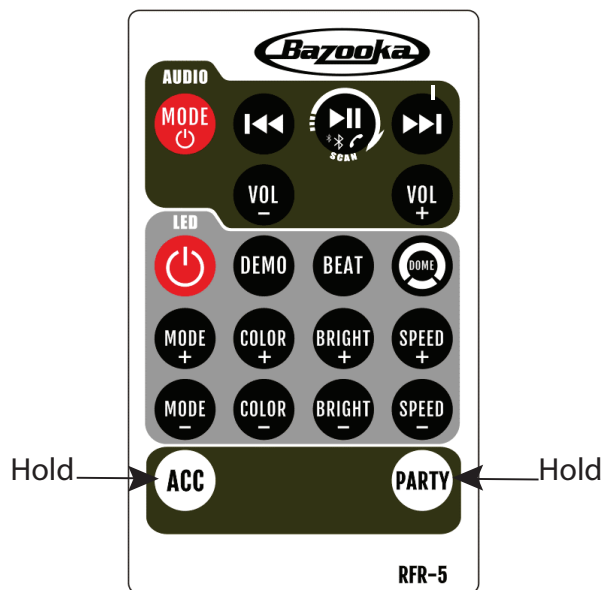
BPB24-G3 BPB24-DS-G3

BPB36-G3

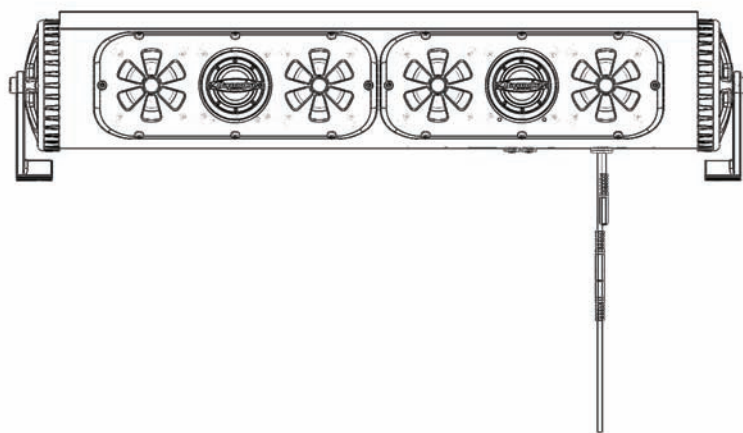
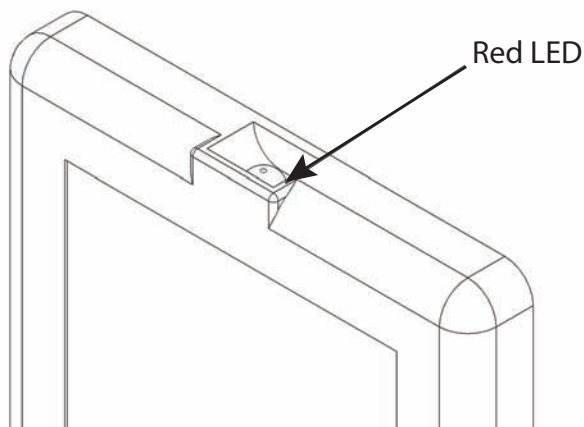
Remote Pairing Instructions



**Step 1.** Remove the power from the BPB-G3 by unplugging the main power cable. Wait 30 seconds



**Step 2.** Press and hold the **ACC** and **Party** buttons. After 5 seconds you will see that the red led on the remote will start to flash slowly. Once the led is flashing release the buttons.



**Step 3.** Plug the BPB-G3's main power cable back in. You will see the flashing LED on the remote go off. Now your remote is paired to the BPB-G3.