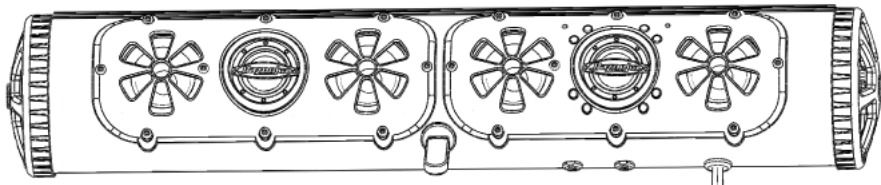




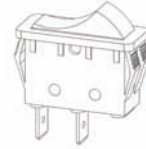
PR-BTWH



Plug the 19 Ft. 3.5mm audio cable into the audio aux. output on the Bazooka Party Bar.

Rocker switch not Included:

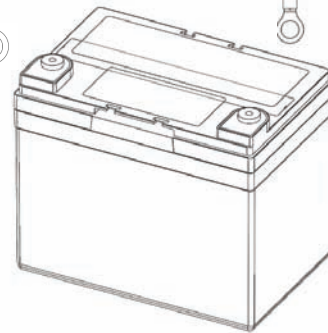
Examples of switch:
Amazon
Part#: 43188-375926
AutoZone
Part#: 31302



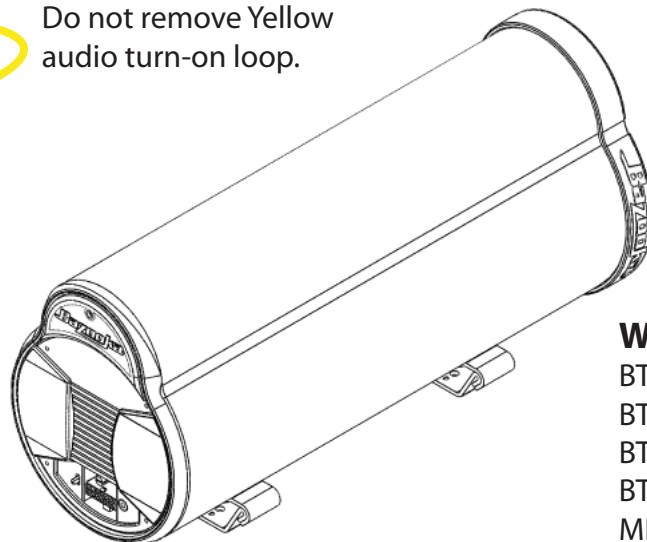
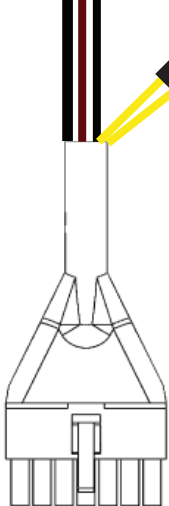
Attach the red 11 Ft. with .250 spade connector and fuse power cable into an on/off switch, then attach to the positive side of the battery.

Attach the red 15 Ft. with .250 spade connector power cable into an on/off switch.

Attach the black 6 Ft. ground cable to the negative side of the battery.



Do not remove Yellow audio turn-on loop.



Works with the following:

- BTA6100
- BTA8100 / BTA8100FHC
- BTA850FH
- BTA10100 / BTA10100FHC
- MBTA8100
- MBTA10100