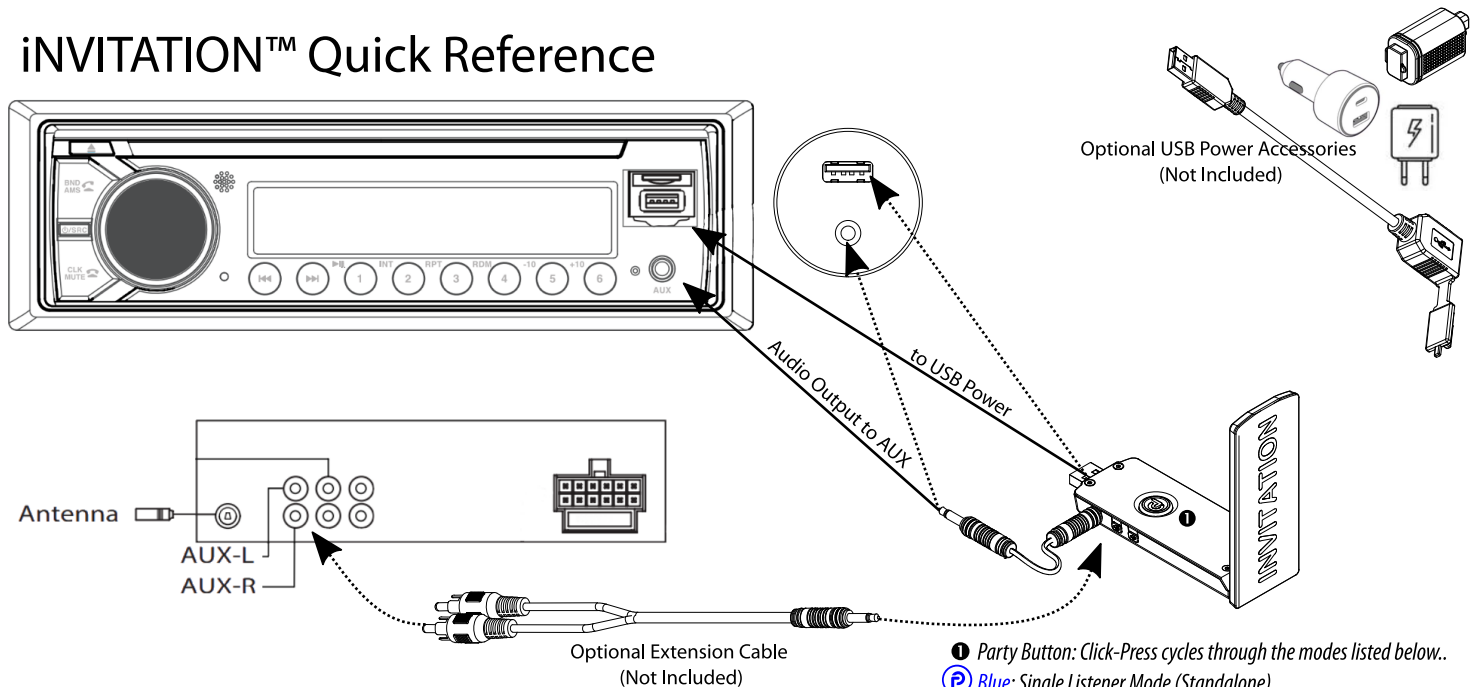


iINVITATION™ Quick Reference



SETTING UP A PARTY:

- ❶ Decide who will DJ the Party and who will Listen
- ❷ DJ: Click the Party button on your iINVITATION dongle until it turns **PURPLE** and then long-press the Party button to enter "Broadcast Pairing" mode. The Party button will blink while in Broadcast Pairing mode and multiple listeners can join simultaneously during this time. Broadcast Pairing mode will timeout after 5 minutes or you can long press the Party Button again to end the Broadcast Pairing mode
- ❸ Listeners: Click the Party Button on your iINVITATION dongle until it turns **RED** and then long-press the Party button to enter Broadcast Pairing mode. Listeners will get audible confirmation when pairing completes. Listeners may leave the party by switching to **Single Listener** mode and rejoin at any time by simply entering the DJ Listening mode again. Listeners can control the local volume on their system using the Vol +/- buttons on the side of the device. However, anytime the DJ adjusts the DJ "master volume" it will reset all Listeners to the new volume level and "local volume" may need to be adjusted again.

- ❶ Party Button: Click-Press cycles through the modes listed below.
- ❶ Blue: Single Listener Mode (Standalone)
- ❶ Purple: DJ Broadcast Mode
- ❶ Red: DJ Listening Mode (rejoins previous "Party" if available).

InvitationQuickRef_Print.pdf 2022/02/18

FCC Warning Statement

Changes or modifications not expressly approved by the party responsible for compliance could void the user's authority to operate the equipment. This equipment has been tested and found to comply with the limits for a Class B digital device, pursuant to Part 15 of the FCC Rules. These limits are designed to provide reasonable protection against harmful interference in a residential installation. This equipment generates uses and can radiate radio frequency energy and, if not installed and used in accordance with the instructions, may cause harmful interference to radio communications. However, there is no guarantee that interference will not occur in a particular installation. If this equipment does cause harmful interference to radio or television reception, which can be determined by turning the equipment off and on, the user is encouraged to try to correct the interference by one or more of the following measures:

- Reorient or relocate the receiving antenna.
- Increase the separation between the equipment and receiver.
- Connect the equipment into an outlet on a circuit different from that to which the receiver is connected.
- Consult the dealer or an experienced radio/TV technician for help.

This device complies with part 15 of the FCC Rules. Operation is subject to the following two conditions: (1) This device may not cause harmful interference and (2) this device must accept any interference received, including interference that may cause undesired operation. The device has been evaluated to meet general RF exposure requirement."

Applies to, but not limited to, the following:

FCC ID: 2A4ZE-INV-USB