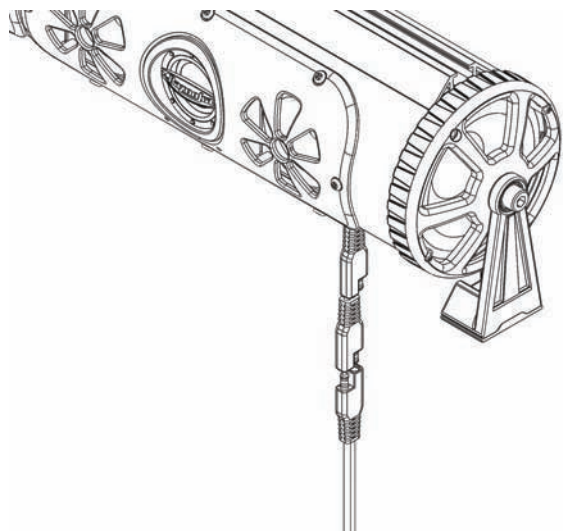


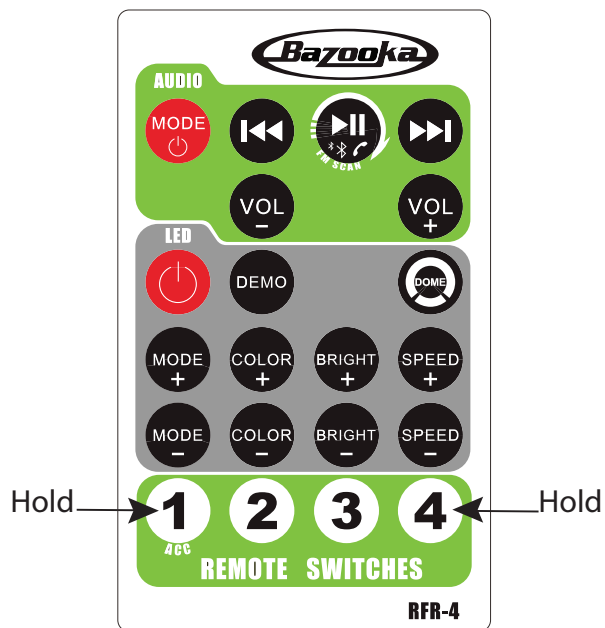
BPB24-G2 BPB24-DS-G2

BPB36-G2

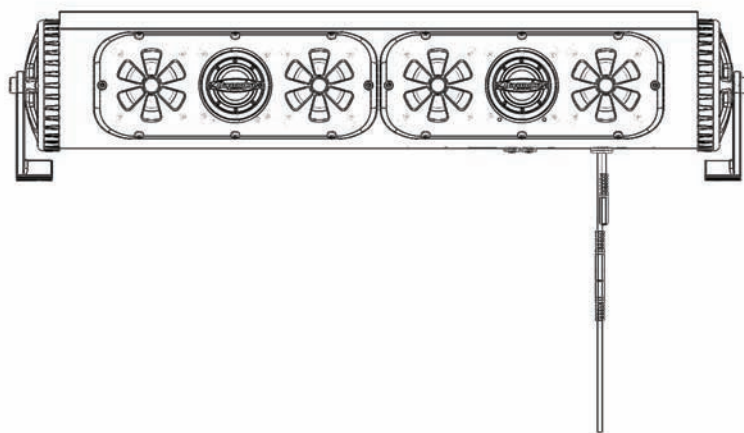
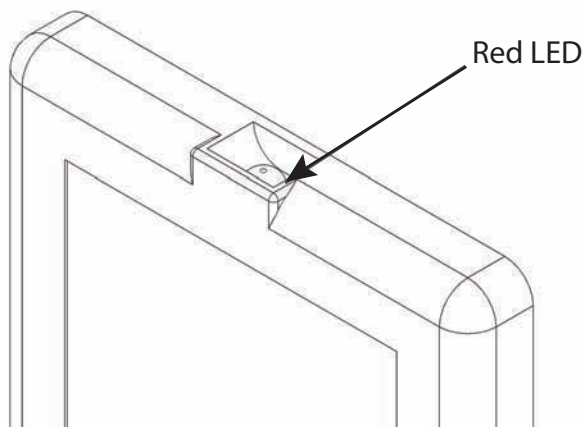
Remote Pairing Instructions



Step 1. Remove the power from the BPB-G2 by unplugging the main power cable. Wait 30 seconds



Step 2. Press and hold the **1** and **4** buttons. After 5 seconds you will see that the red led on the remote will start to flash slowly. Once the led is flashing release the buttons.



Step 3. Plug the BPB-G2's main power cable back in. You will see the flashing LED on the remote go off. Now your remote is paired to the BPB-G2.