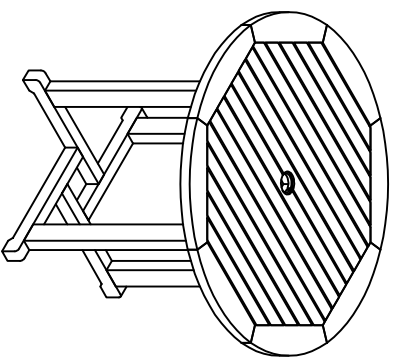
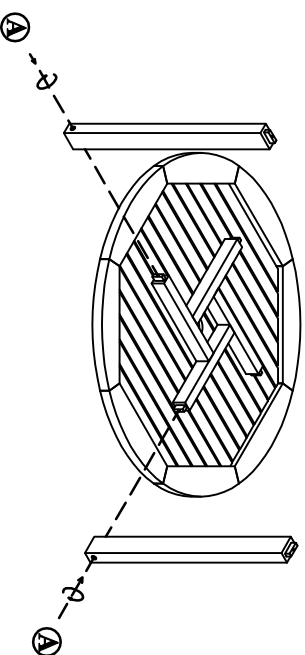


# ASSEMBLY INSTRUCTION T 53204

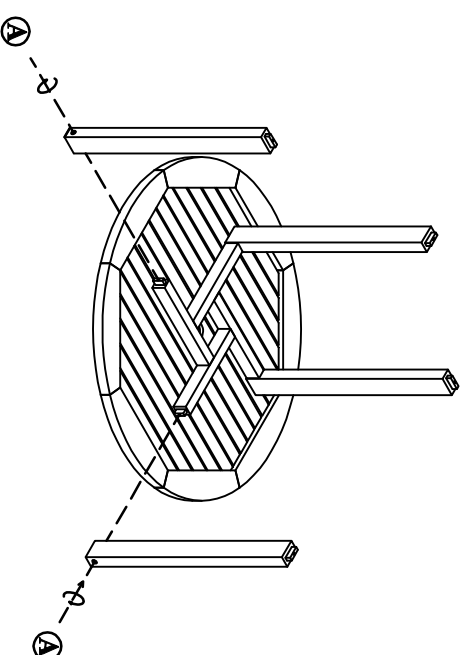
## DESCRIPTION



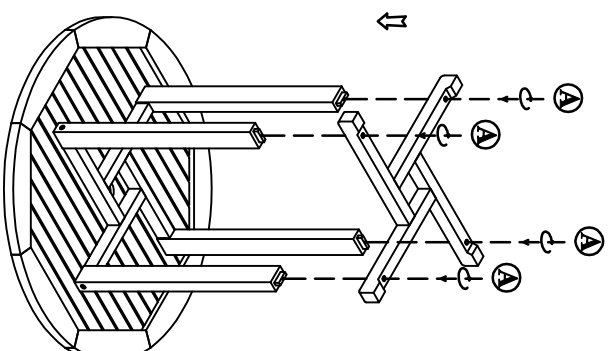
1



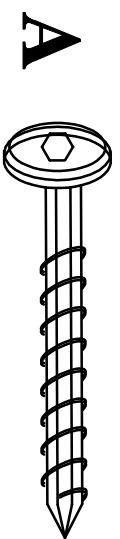
2



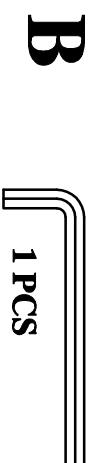
3



## HARDWARE T 53204



M6 x 60 : 8 PCS



1 PCS