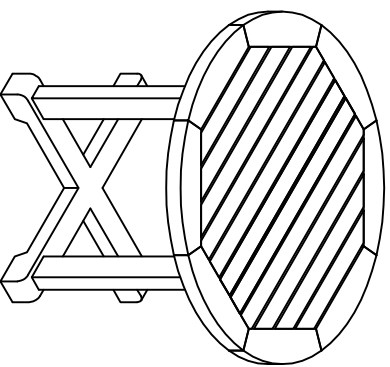
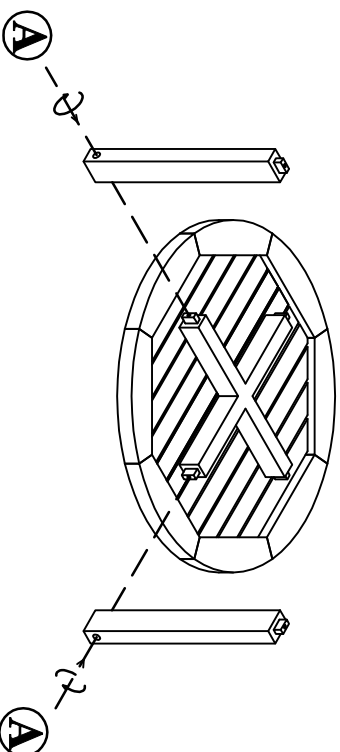


ASSEMBLY INSTRUCTION T 53203

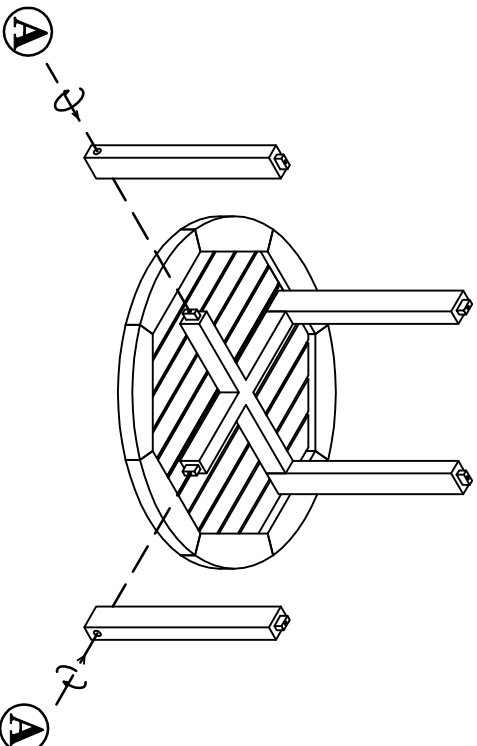
DESCRIPTION



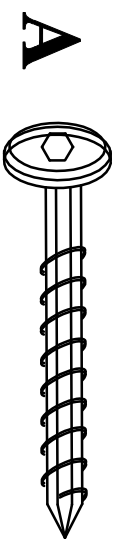
1



2



HARDWARE T 53203



3

