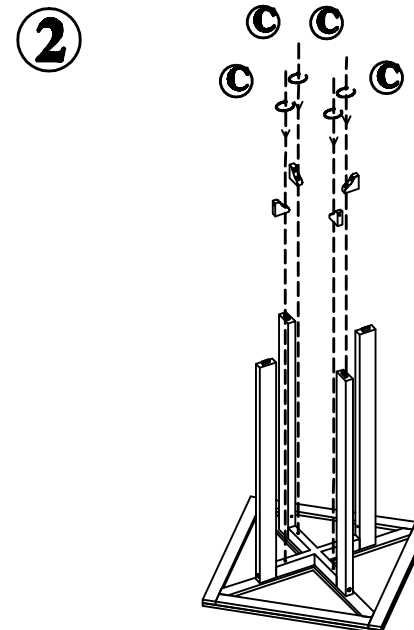
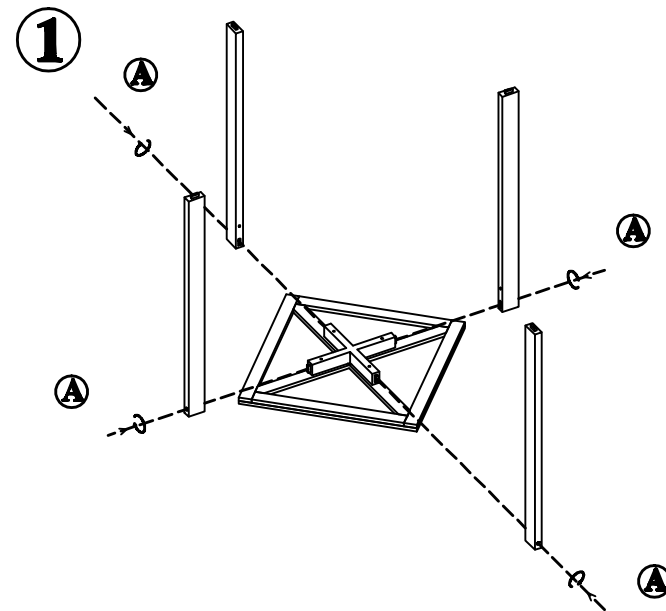
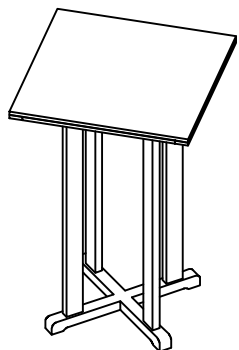


ASSEMBLY INSTRUCTION T 2015P

DESCRIPTION



HARDWARE T 2015P

