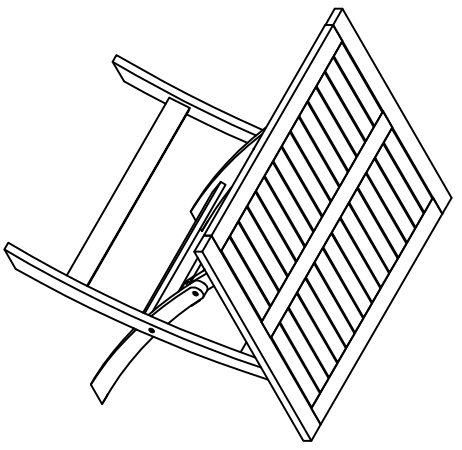
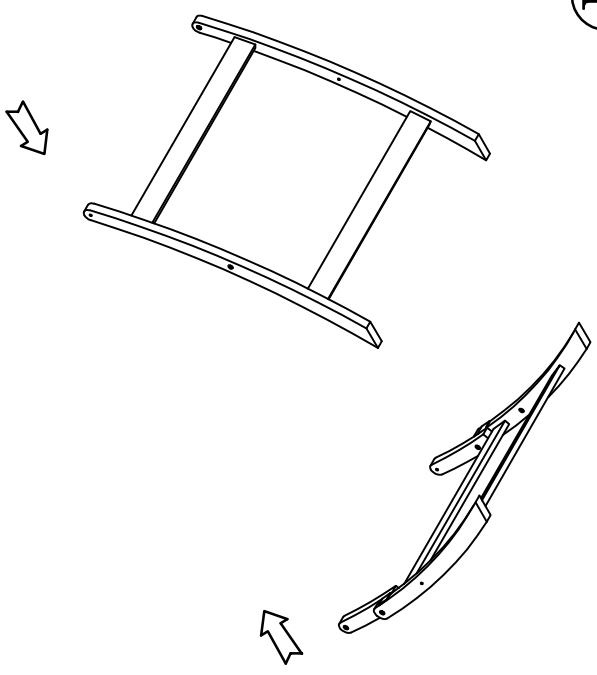


ASSEMBLY INSTRUCTION T 1901

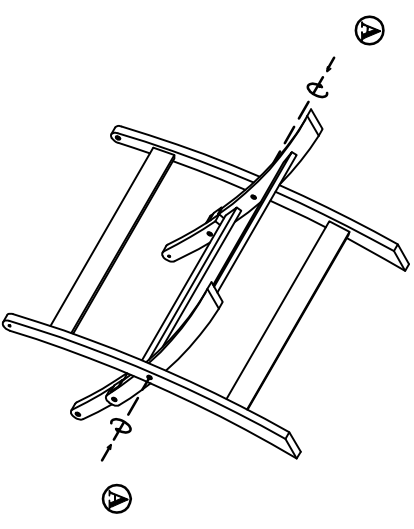
DESCRIPTION



1

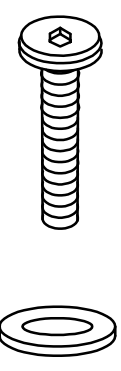


2



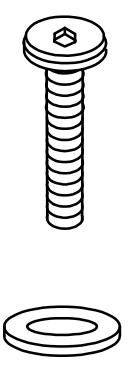
HARDWARE T 1901

A



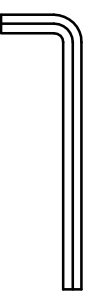
M6 x 50 : 2 PCS

B



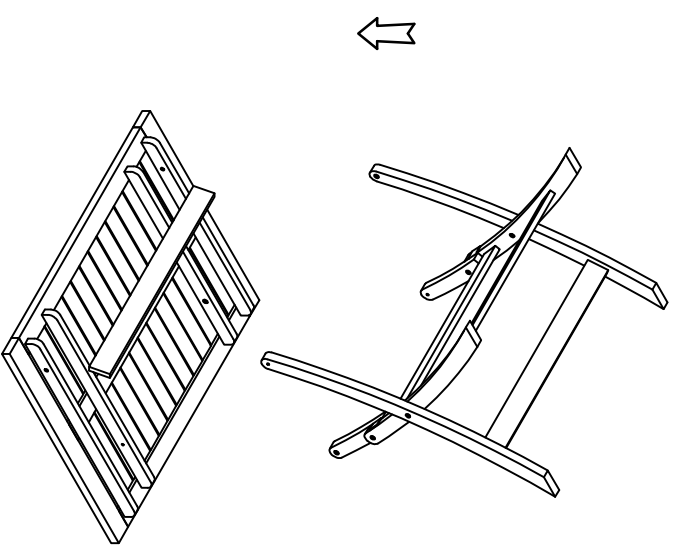
M6 x 40 : 4 PCS

C



1 PCS

3



4

