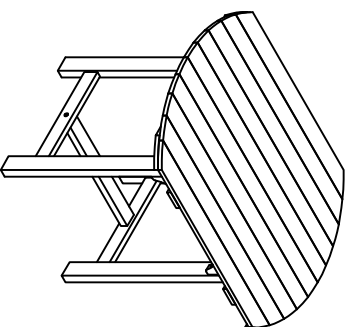
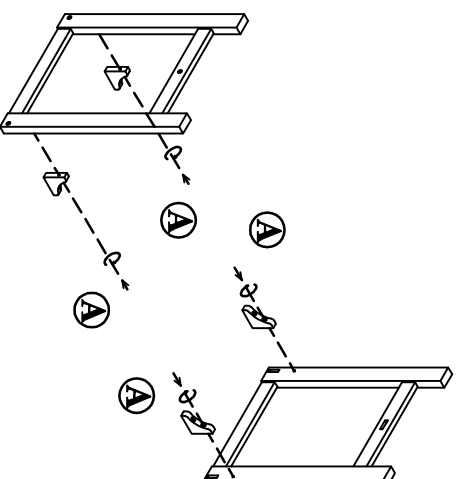


ASSEMBLY INSTRUCTION T 1510

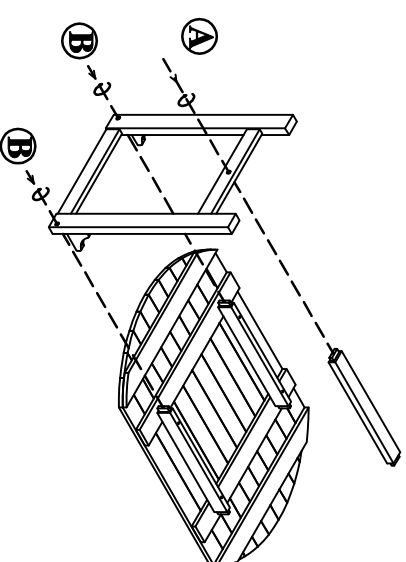
DESCRIPTION



①

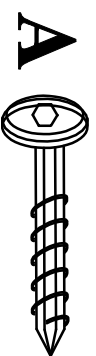


②

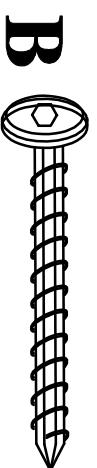


HARDWARE T 1510

③



M6 x 40 : 10 PCS



M6 x 60 : 04 PCS



1 PCS

④

