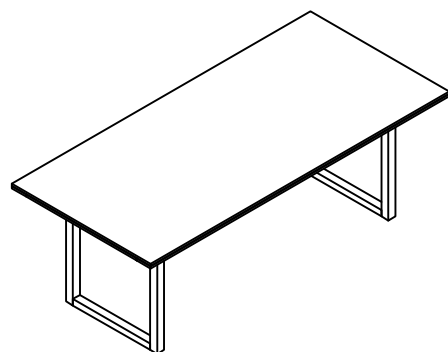
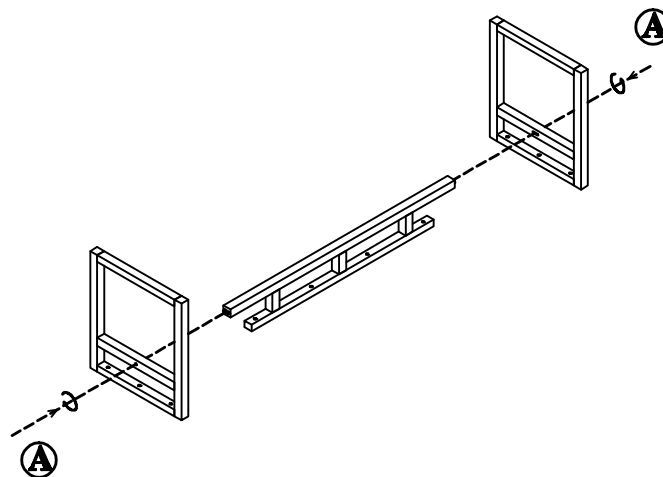


ASSEMBLY INSTRUCTION T 1008

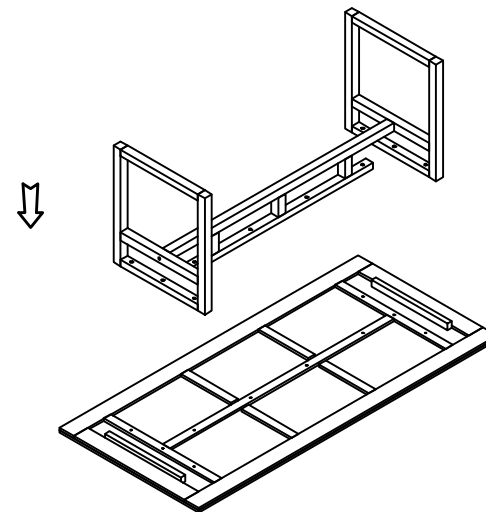
DESCRIPTION



①



②



HARDWARE T 1008



M6 x 80 : 02 PCS



M6 x 50 : 10 PCS



③

