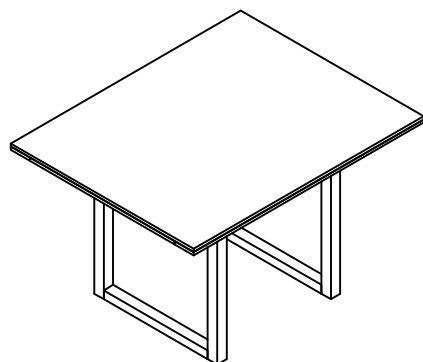
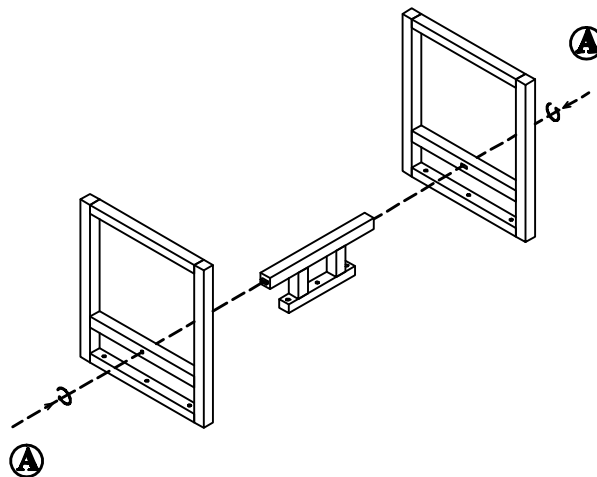


ASSEMBLY INSTRUCTION T 1004

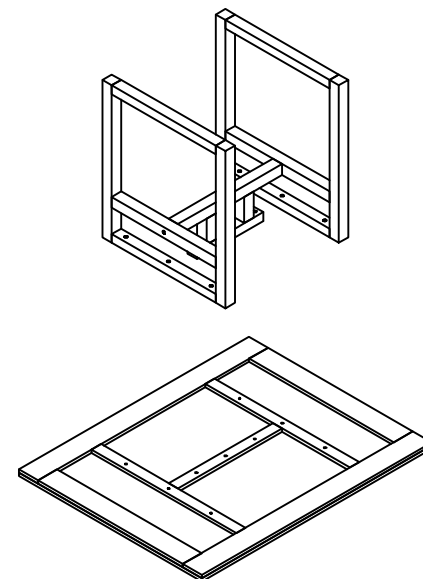
DESCRIPTION



①



②



HARDWARE T 1004

③



M6 x 80 : 02 PCS



M6 x 50 : 09 PCS



1 PCS

