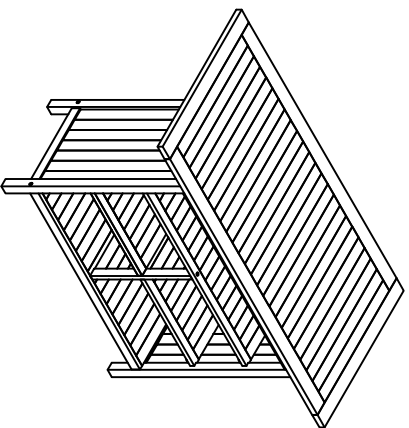
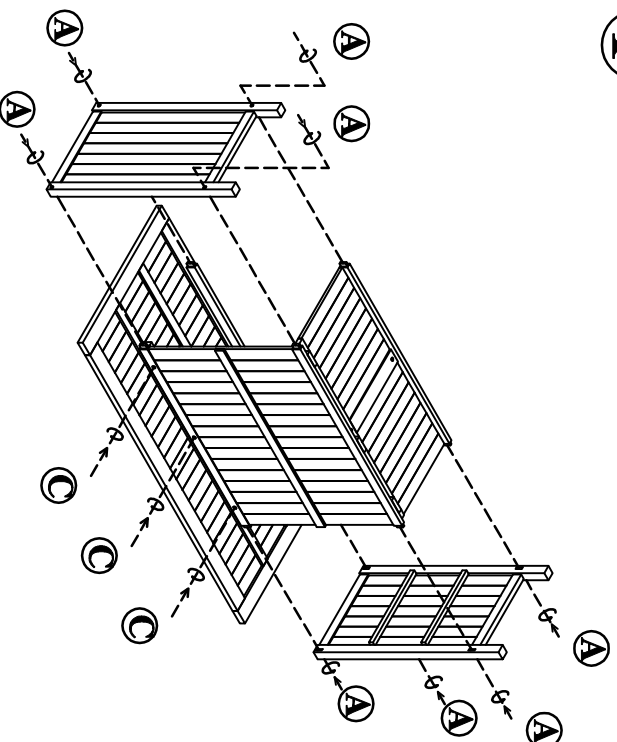


ASSEMBLY INSTRUCTION T020

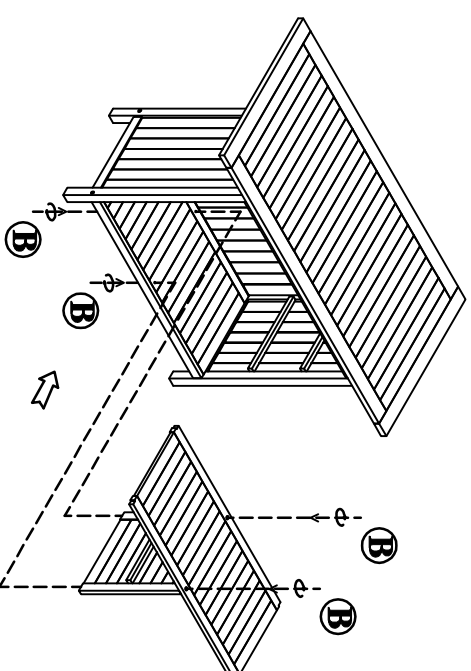
DESCRIPTION



①

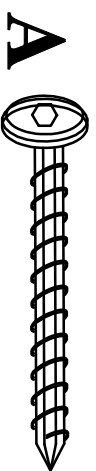


②

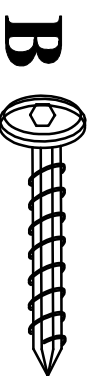


HARDWARE T 020

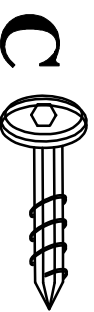
③



M6 x 60 : 08 PCS



M6 x 40 : 04 PCS



M6 x 30 : 03 PCS



1 PCS

④

