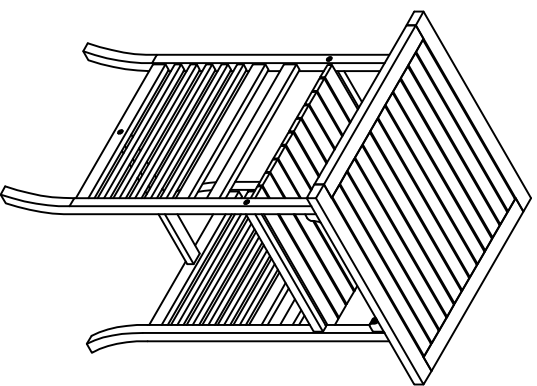
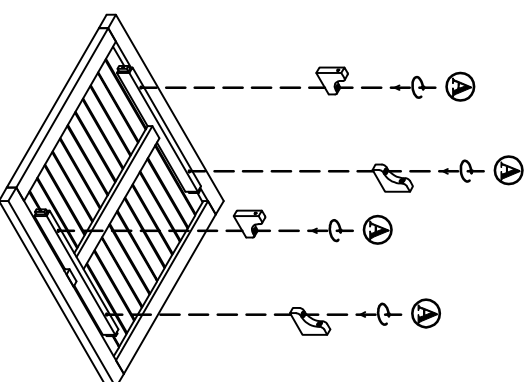


ASSEMBLY INSTRUCTION T015

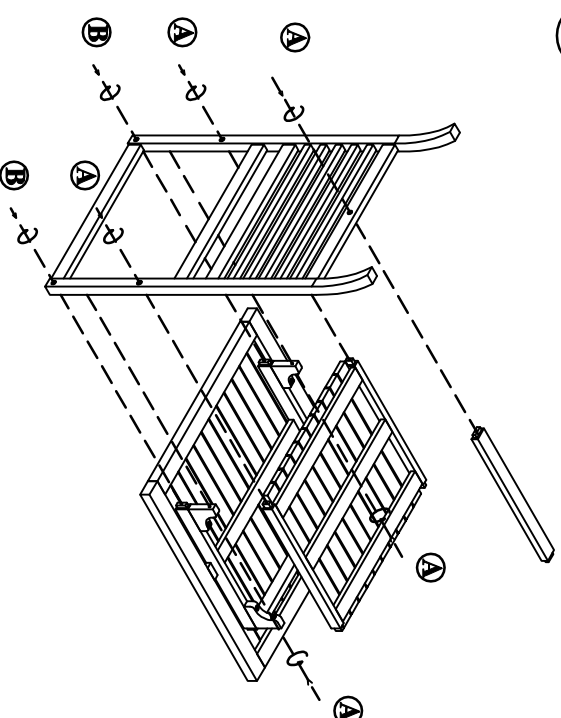
DESCRIPTION



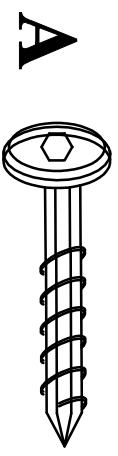
1



2



HARDWARE T 015



M6 x 40 : 18 PCS



1 PCS

3

