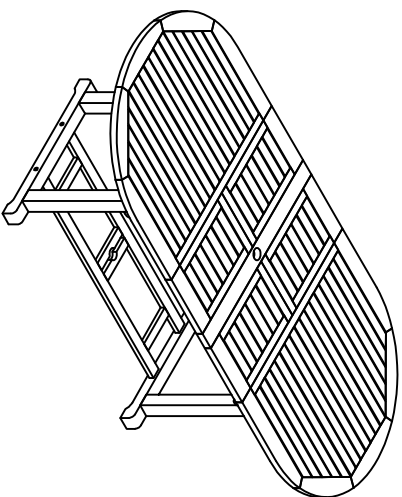
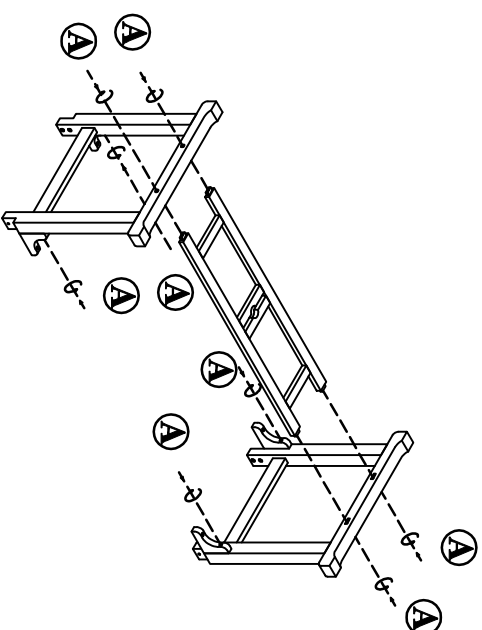


# ASSEMBLY INSTRUCTION T 003

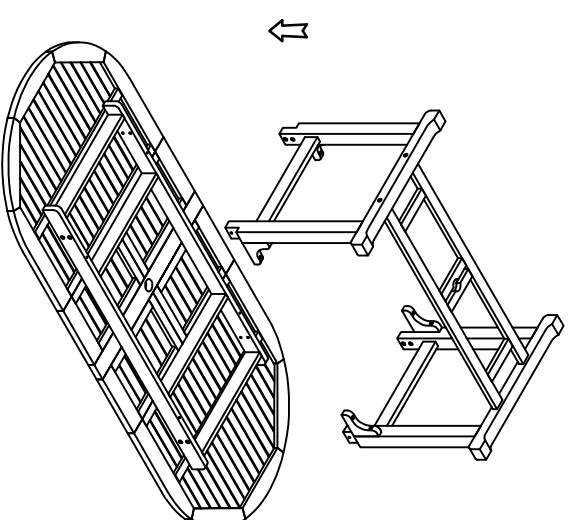
## DESCRIPTION



①

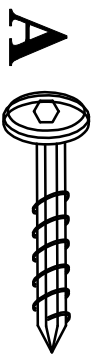


②

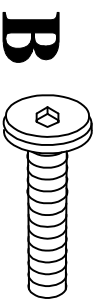


## HARDWARE T 003

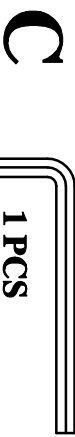
③



M6 x 60 : 12 PCS



M8 x 50 : 8 PCS



1 PCS

④

