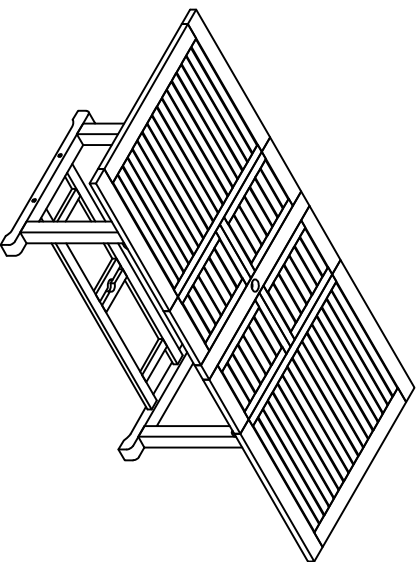
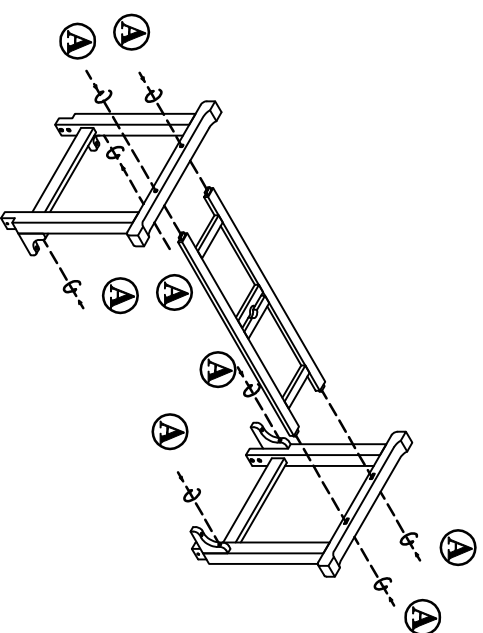


ASSEMBLY INSTRUCTION T001

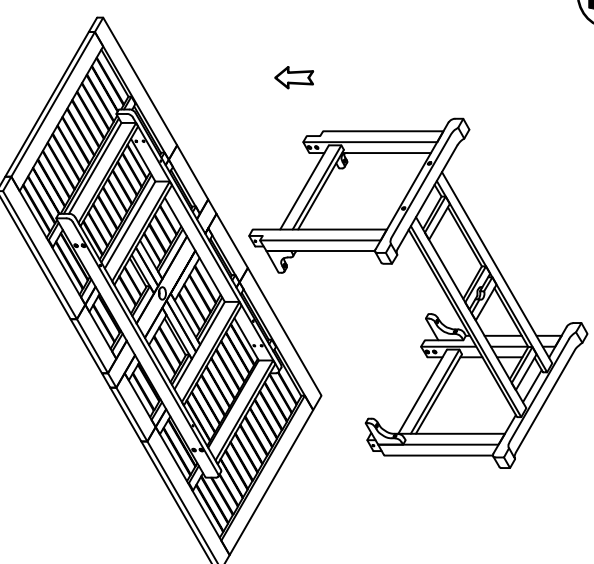
DESCRIPTION



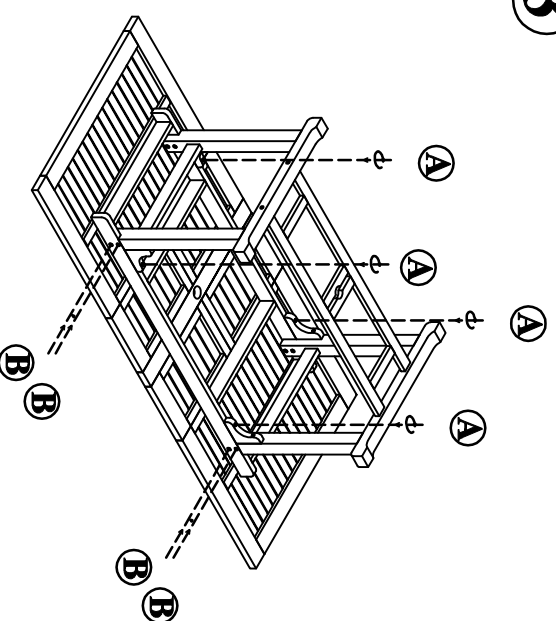
1



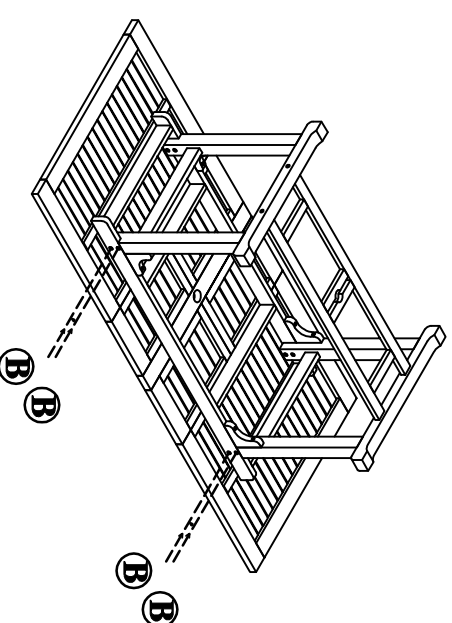
2



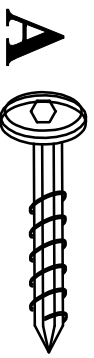
3



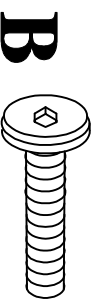
4



HARDWARE T 001



M6 x 60 : 12 PCS



M8 x 50 : 8 PCS



1 PCS