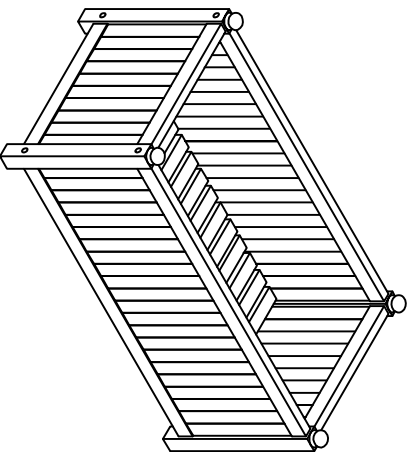
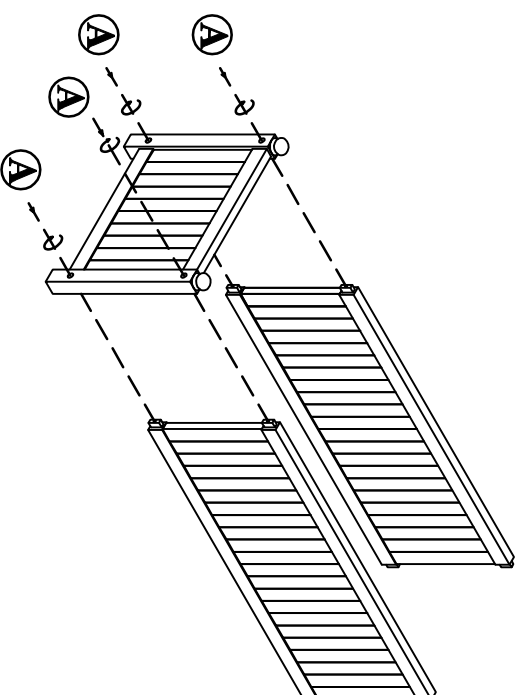


ASSEMBLY INSTRUCTION PL 002

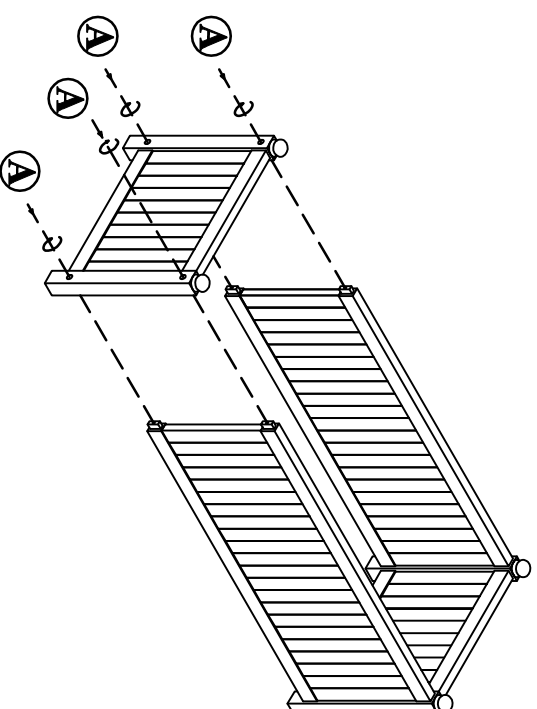
DESCRIPTION



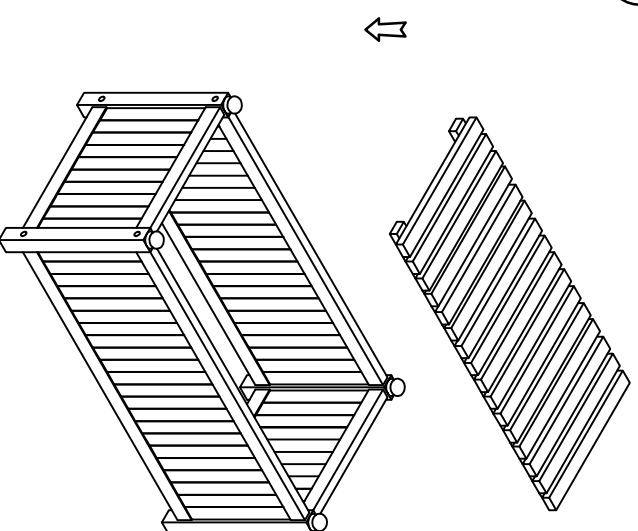
1



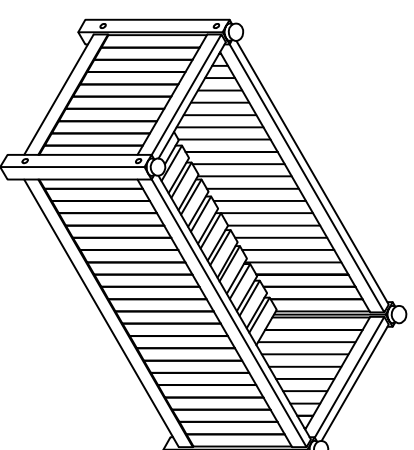
2



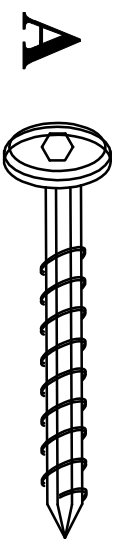
3



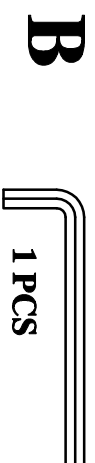
4



HARDWARE PL 11201B



M6 x 60 : 8 PCS



1 PCS