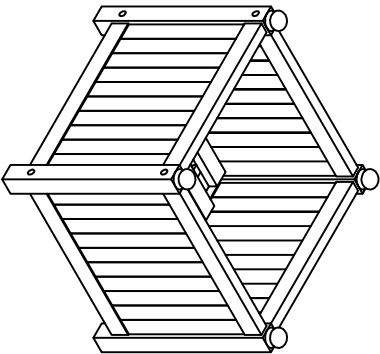
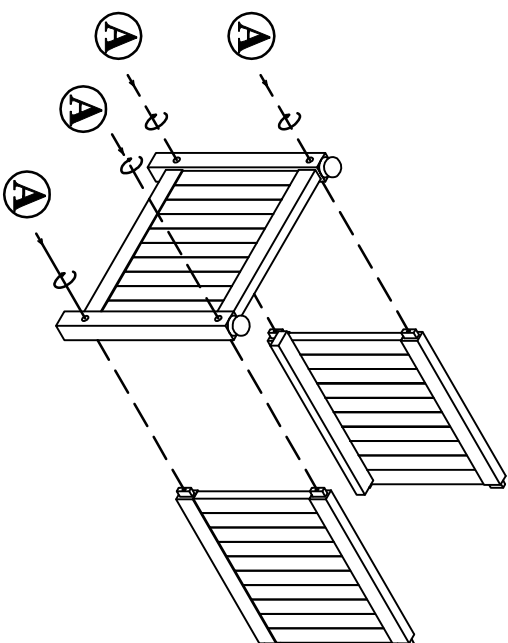


# ASSEMBLY INSTRUCTION PL 001

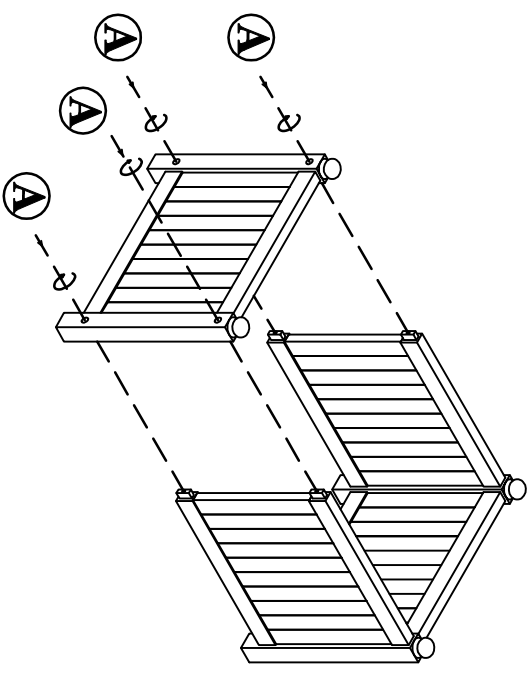
## DESCRIPTION



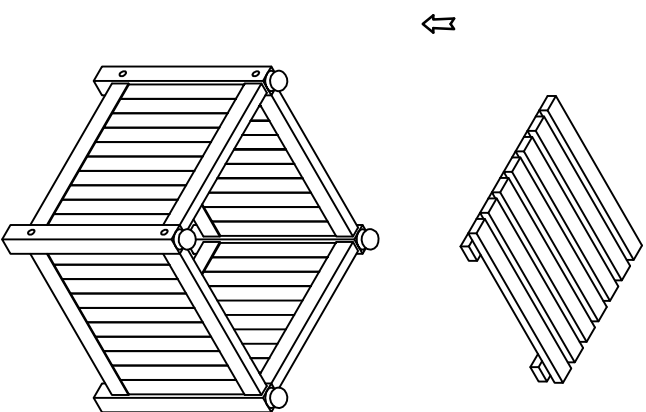
1



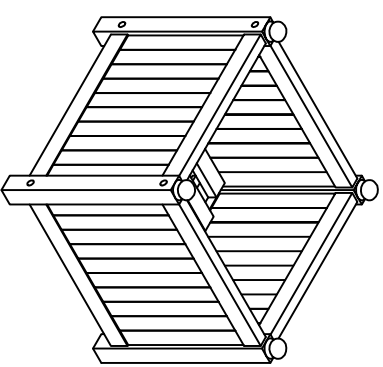
2



3

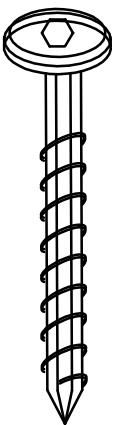


4



## HARDWARE PL 11201A

A



M6 x 60 : 8 PCS

B



1 PCS