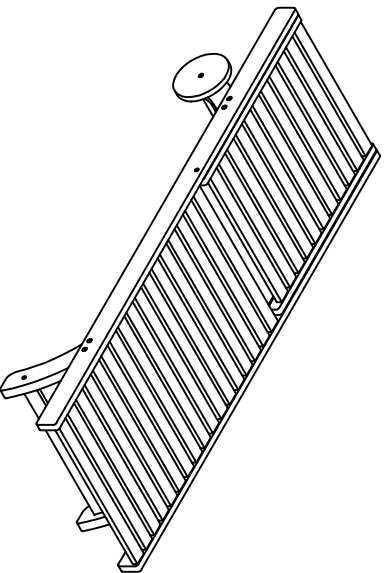
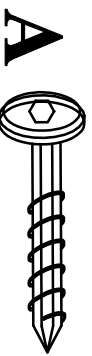


ASSEMBLY INSTRUCTION L2203

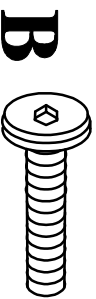
DESCRIPTION



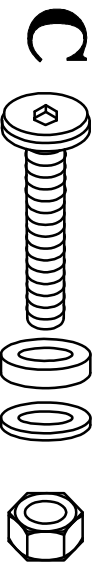
HARDWARE L 2203



M6 x 40 : 4 PCS



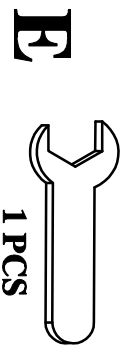
M8 x 45 : 8 PCS



M8 x 70 : 2 PCS

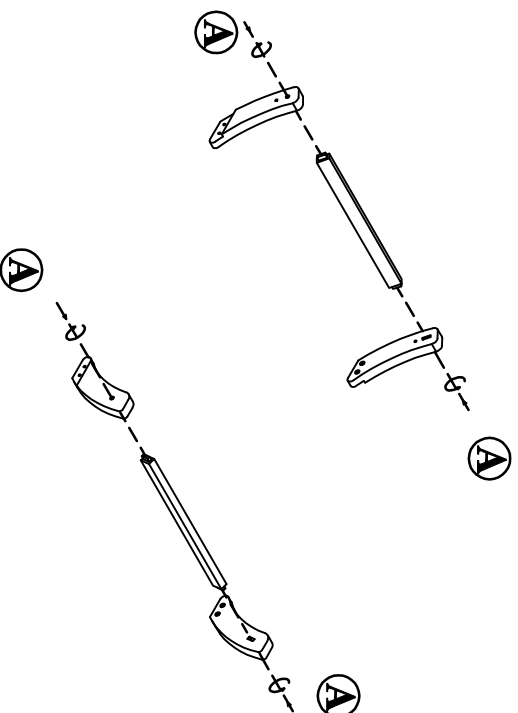


1 PCS

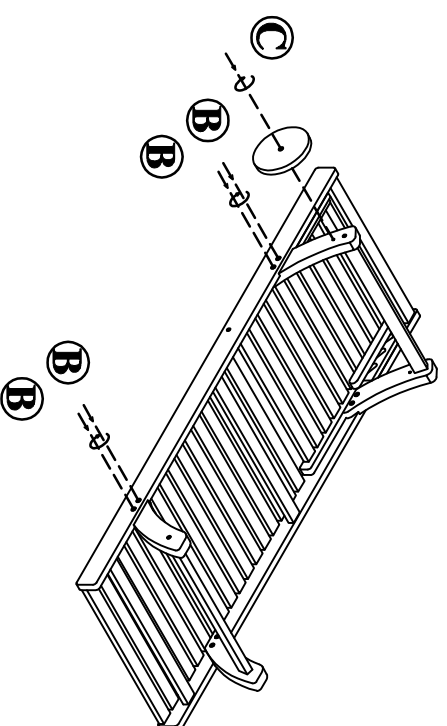


1 PCS

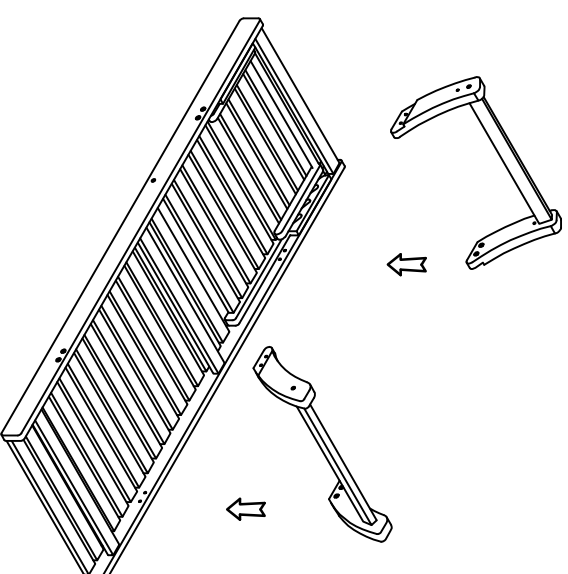
1



3



2



4

