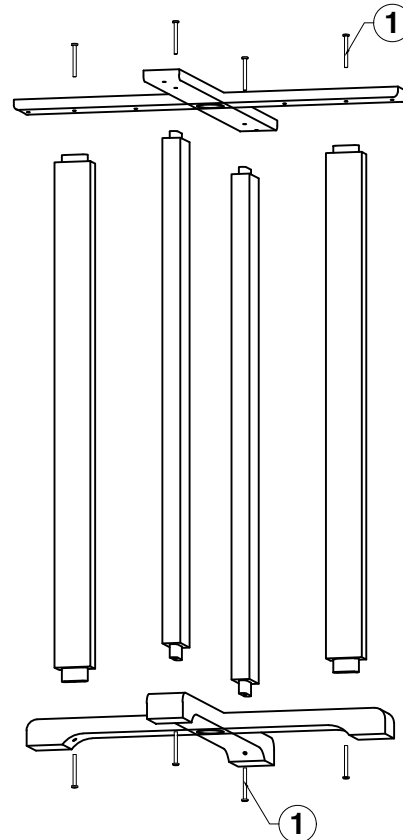
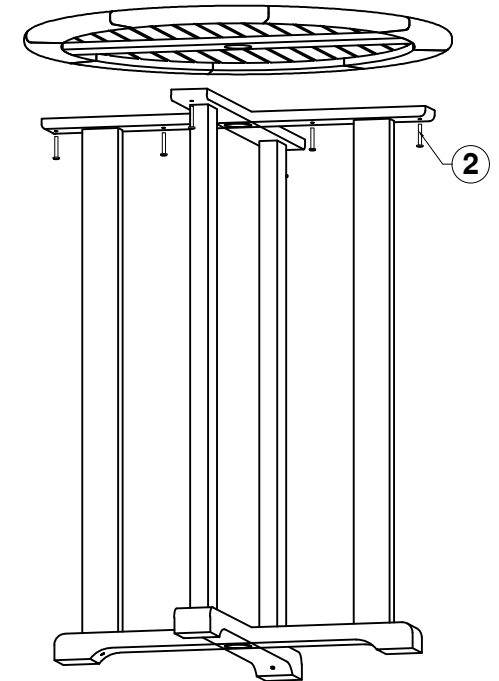


## STEP 1

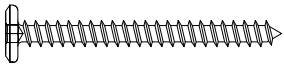


## STEP 2

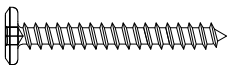


## HARDWARE

① F-SCREW 6x60 : 8PCS



② F-SCREW 6x40 : 6PCS



ALLEN KEY: 2PCS

