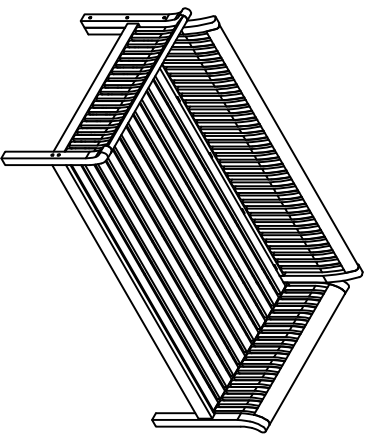
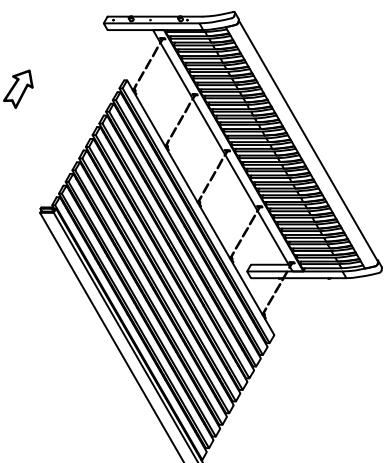


ASSEMBLY INSTRUCTION BD 001

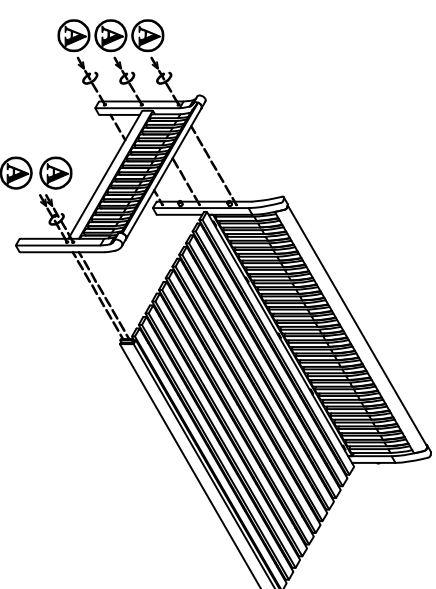
DESCRIPTION



1

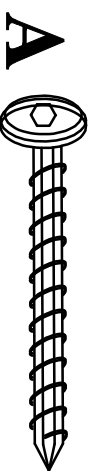


2

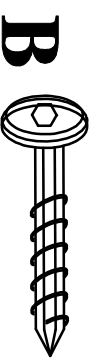


HARDWARE BD 001

3



M6 x 70 : 10 PCS



M6 x 60 : 5 PCS



1 PCS

4

